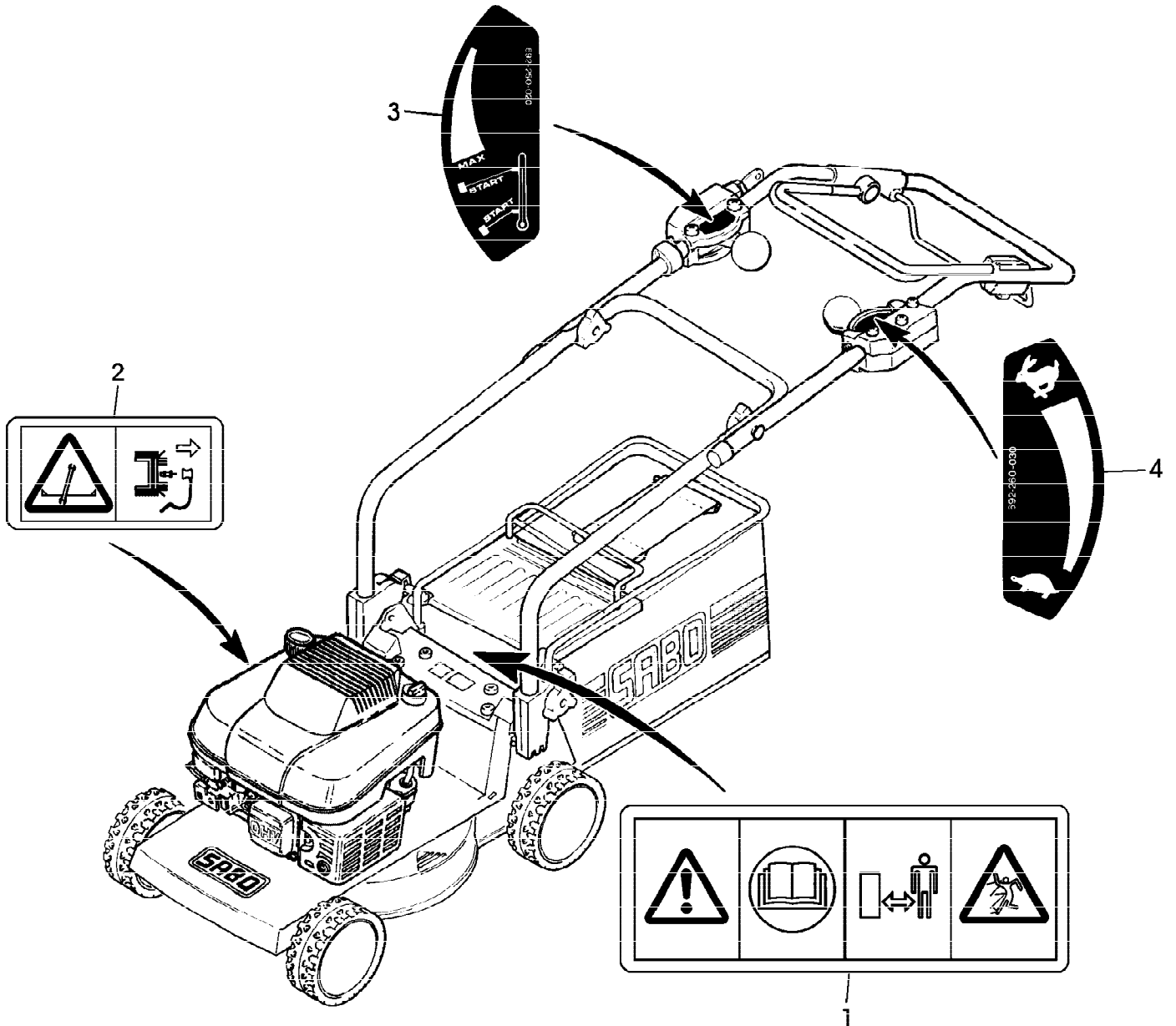


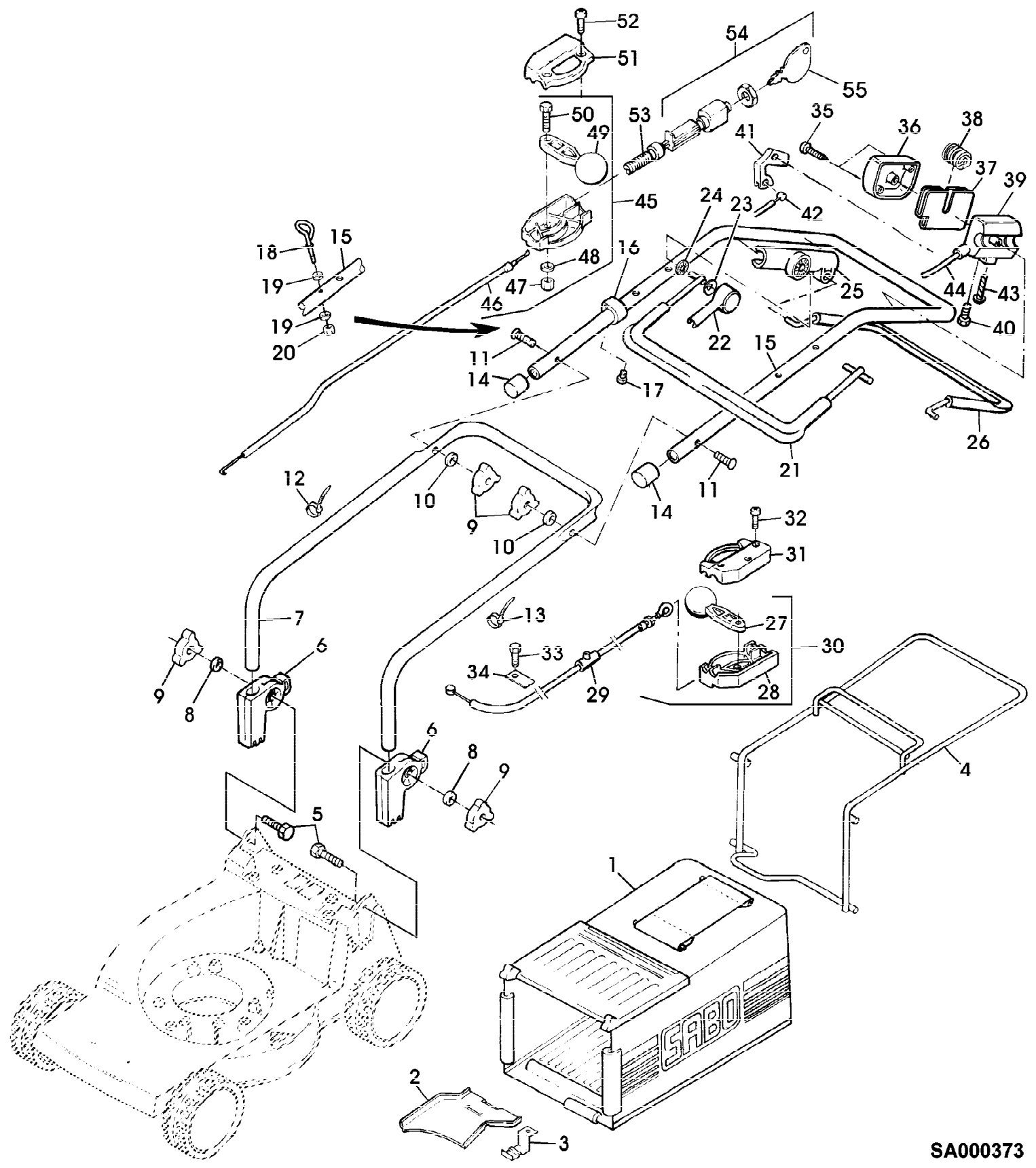
| Reihennummer | Artikelnummer | Menge | Description   |
|--------------|---------------|-------|---|
| 1            | SA33219       | 1     | RIEMENSCHLEIBE [-001352]  |
|              | SA34348       | 1     | RIEMENSCHLEIBE [001353-]  |
| 2            | SA33228       | 1     | KEILRIEMEN  |
| 3            | SA30117       | 1     | SPANNROLLE  |
| 4            | SA29725       | 1     | HALTER *  |
| 5            | SA15233       | 1     | FEDERRING 8MM   |
| 6            | SA15413       | 1     | MUTTER M8   |
| 7            | SA29854       | 1     | SCHRAUBE * M5X12  |
| 8            | SA15229       | 1     | UNTERLEGSCHLEIBE A5,3MM   |
| 9            | SA15413       | 1     | MUTTER M8   |
| 10           | SA15233       | 1     | FEDERRING 8MM   |
| 11           | SA16053       | 1     | SPANNROLLE  |
| 12           | SA11998       | 1     | SICHERUNGSMUTTER (A) M8   |
| 13           | SA15207       | 1     | UNTERLEGSCHLEIBE 15MM   |
| 14           | SA34925       | 1     | ARM (SUB FOR SA33226)   |
| 15           | SA33211       | 1     | DREHFEDER   |
| 16           | SA17726       | 1     | BUECHSE   |
| 17           | SA15213       | 1     | UNTERLEGSCHLEIBE (A) 8,4MM  |
| 18           | SA16946       | 1     | RING  |
| 19           | SA15306       | 1     | SCHRAUBE * M8X40  |
| 20           | SA19260       | 1     | SCHRAUBE * M6X60  |
| 21           | SA15202       | 1     | UNTERLEGSCHLEIBE 6,4MM  |
| 22           | SA30451       | 1     | RIEMENSCHLEIBE ASSY   |
| 23           | SA33218       | 1     | ABDECKUNG   |
| 24           | SA29854       | 2     | SCHRAUBE * M5X12  |
| 25           | SA33779       | 1     | HALTER *  |
| 26           | SA16267       | 2     | SCHRAUBE * 4,2X13MM   |
| 27           | SA30421       | 1     | TROCKEN GELADENE BATTERIE   |
| 28           | SA34074       | 1     | ABDECKUNG   |
| 29           | SA30343       | 1     | BATTERIELADEGERAET  |
| 30           | SA11119       | 1     | OESE  |
| 31           | SA18332       | 1     | MAUL-RINGSCHLUESSEL 5/16"   |
| 32           | SA16186       | 1     | STECKSCHLUESSELEINSAETZE SW 16/17<br>(A) WERDEN NUR NOCH IN PACKMENGEN<br>GELIEFERT |



SA000374

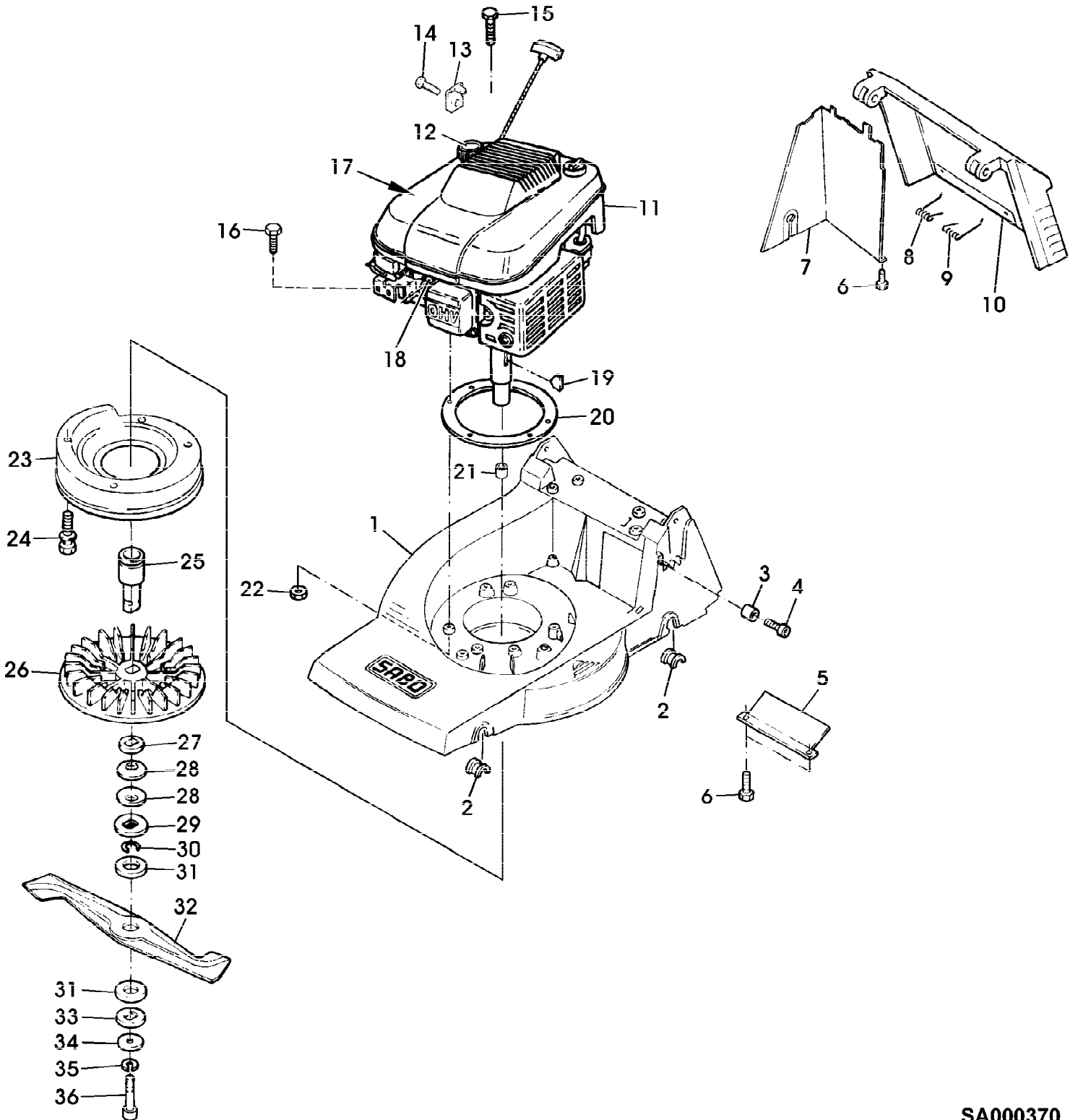
---

| Reihennummer | Artikelnummer | Menge | Description |
|--------------|---------------|-------|-------------|
| 1            | SA34669       | 1     | AUFKLEBER   |
| 2            | SA34767       | 1     | AUFKLEBER   |
| 3            | SA34135       | 1     | AUFKLEBER   |
| 4            | SA33217       | 1     | AUFKLEBER   |



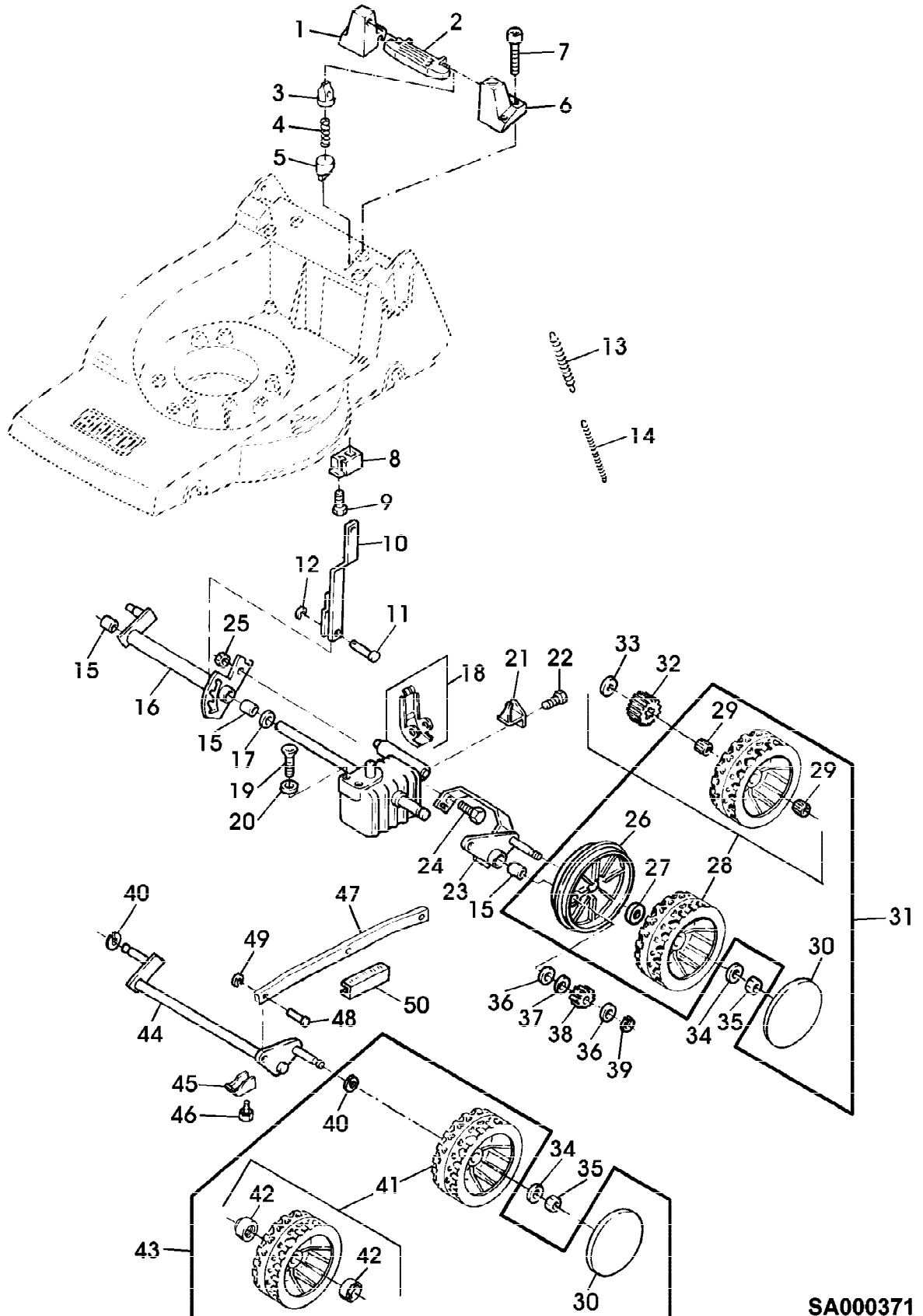
| Reihennummer | Artikelnummer | Menge | Description                                  |
|--------------|---------------|-------|--|
| 1            | SA33241       | 1     | GRASFANGBEHAELTER                            |
| 2            | SA33244       | 1     | RUTSCHE                                      |
| 3            | SA17715       | 1     | FEDERKLEMME PACKG 2,5 OR 10                  |
| 4            | SA33243       | 1     | HALTER *                                     |
| 5            | SA31174       | 1     | SECHSKANTSCHRAUBE M6X100                     |
| 6            | SA33256       | 2     | HALTER *                                     |
| 7            | SA33268       | 1     | HOLM LOW [-001352]                           |
|              | SA34405       | 1     | FUEHRUNG LOW [001353-]                       |
| 8            | SA15212       | 2     | UNTERLEGSCHLEIBE 6,4MM PACKG 2,5 OR 10       |
| 9            | SA31121       | 4     | FLUEGELMUTTER (SUB FOR SA12774)              |
| 10           | SA11243       | 2     | UNTERLEGSCHLEIBE                             |
| 11           | SA35190       | 2     | FUEHRUNG M6 (SUB FOR SA15632)                |
| 12           | SA15273       | 2     | KABELBINDER                                  |
| 13           | SA34258       | 2     | KLEMME                                       |
| 14           | SA34255       | 2     | STOPFEN PACKG 2, 5 OR 10                     |
| 15           | SA33287       | 1     | HOLM UP [-001352]                            |
|              | SA34397       | 1     | HOLM UP [001353-003407]                      |
|              | SA34663       | 1     | LENKSTANGE UP [003408-]                      |
| 16           | SA16630       | 1     | GRIFF * [-001352]                            |
| 17           | SA16267       | 1     | SCHRAUBE * 4,2X13MM                          |
| 18           | SA34459       | 1     | GRIFF * [001353-]                            |
| 19           | SA11243       | 1     | UNTERLEGSCHLEIBE [001353-]                   |
| 20           | SA11244       | 1     | SICHERUNGSMUTTER PACKG 2,5 OR 10 [001353-]   |
| 21           | SA33944       | 1     | BUEGEL [-003407]                             |
|              | SA34660       | 1     | BUEGEL [003408-]                             |
| 22           | SA33951       | 1     | ABDECKUNG RH                                 |
| 23           | SA34089       | 1     | SCHEIBE                                      |
| 24           | SA34247       | 1     | RING   |
| 25           | SA33946       | 1     | LAGER RH [-003407]                           |
|              | SA34662       | 1     | LAGER RH [003408-]                           |
| 26           | SA33947       | 1     | BUEGEL [-003407]                             |
|              | SA34668       | 1     | BUEGEL [003408-]                             |
| 27           | SA34001       | 1     | HEBEL  |
| 28           | SA33209       | 1     | GEHAEUSE * LOW                               |
| 29           | SA33221       | 1     | SEILZUG [-001352]                            |
|              | SA34406       | 1     | SEILZUG [001353-]                            |
| 30           | SA33207       | 1     | STEUERUNG LOW [-001352]                      |
|              | SA34407       | 1     | STEUERUNG LOW [001353-]                      |
| 31           | SA33208       | 1     | GEHAEUSE * UP                                |
| 32           | SA16268       | 3     | SCHRAUBE * 4,2X32MM                          |
| 33           | SA29854       | 1     | SCHRAUBE * M5X12                             |
| 34           | SA34589       | 1     | LASCHE (SUB FOR SA34090)                     |
| 35           | SA31423       | 2     | SCHRAUBE * KB 35X20                          |
| 36           | SA33952       | 1     | GEHAEUSE *                                   |
| 37           | SA34921       | 1     | EINSATZ NSEP (ORD SA34661) (SUB FOR SA33959) |
| 38           | SA33955       | 1     | ROLLE  |
| 39           | SA33945       | 1     | GEHAEUSE * [-003407]                         |
|              | SA34661       | 1     | GEHAEUSE * [003408-]                         |

| Reihennummer | Artikelnummer | Menge | Description                          |
|--------------|---------------|-------|--------------------------------------|
| 40           | SA34098       | 1     | STELLSCHRAUBE                        |
| 41           | SA33958       | 1     | KABELHALTER [-003407]                |
|              | SA34787       | 1     | KABELHALTER [003408-]                |
| 42           | SA34066       | 1     | SEILZUG [-001352]                    |
|              | SA34398       | 1     | SEILZUG [001353-]                    |
| 43           | SA33975       | 2     | SCHRAUBE * KB 40X35                  |
| 44           | SA33953       | 1     | SEILZUG [-001352]                    |
|              | SA34403       | 1     | SEILZUG [001353-]                    |
| 45           | SA33949       | 1     | STEUERUNG LOW [-001352]              |
|              | SA33210       | 1     | STEUERUNG LOW [001353-]              |
| 46           | SA33974       | 1     | SEILZUG [-001352]                    |
|              | SA33222       | 1     | SEILZUG [001353-]                    |
| 47           | SA11244       | 1     | SICHERUNGSMUTTER M6, PACKG 2,5 OR 10 |
| 48           | SA15202       | 1     | UNTERLEGSCHEIBE 6,4MM                |
| 49           | SA12768       | 1     | HEBEL                                |
| 50           | SA15325       | 1     | SECHSKANTSCHRAUBE M6X30              |
| 51           | SA31188       | 1     | GEHAEUSE * UP                        |
| 52           | SA16268       | 2     | SCHRAUBE * 4,2X32MM                  |
| 53           | SA33111       | 1     | KABELBAUM                            |
| 54           | SA24327       | 1     | SCHLOSS                              |
| 55           | SA18578       | 1     | SCHLUESSEL                           |





| Reihennummer | Artikelnummer | Menge | Description   |
|--------------|---------------|-------|---|
| 1            | SA33235       | 1     | MAEHGEHAEUSE  |
| 2            | SA31711       | 4     | LAGERSCHALE   |
| 3            | SA33212       | 1     | ANSCHLAG  |
| 4            | SA31264       | 1     | SCHRAUBE * M5X16  |
| 5            | SA33225       | 1     | BLECH   |
| 6            | SA29854       | 3     | SCHRAUBE * M5X12  |
| 7            | SA33224       | 1     | ABDECKUNG   |
| 8            | SA11397       | 1     | FEDER LH  |
| 9            | SA31261       | 1     | FEDER RH  |
| 10           | SA34085       | 1     | KLAPPE  |
| 11           | SA26625       | 1     | BENZINMOTOR B&S EUROPA OHV E MODEL<br>099777; TYP 0916 A                    |
| 12           | SA16738       | 1     | FUELLSTANDANZEIGE   |
| 13           | SA26799       | 1     | KLEMME [003408-]  |
| 14           | SA26798       | 1     | SCHRAUBE * [003408-]  |
| 15           | SA27518       | 2     | SCHRAUBE * M8X55  |
| 16           | SA16374       | 1     | SCHRAUBE * M8X90  |
| 17           | SA26630       | 1     | LUFTFILTEREINSATZ PAPER   |
|              | SA26629       | 1     | VORFILTER   |
| 18           | SA26589       | 1     | ZUENDKERZE  |
| 19           | SA15967       | 1     | KEIL * 4X6,5MM  |
| 20           | SA36239       | 1     | RING (SUB FOR SA35222)  |
| 21           | SA12788       | 1     | DISTANZSTUECK [-001352]   |
| 22           | SA11998       | 3     | SICHERUNGSMUTTER M8   |
| 23           | SA36688       | 1     | LUEFTERHAUBE (SUB FOR SA33220,<br>SA36108)                                  |
| 24           | SA29854       | 4     | SCHRAUBE * M5X12  |
| 25           | SA33219       | 1     | RIEMENSCHLEIBE [-001352]  |
|              | SA34348       | 1     | RIEMENSCHLEIBE [001353-]  |
| 26           | SA15180       | 1     | LUEFTER   |
| 27           | SA11896       | 1     | UNTERLEGSCHLEIBE  |
| 28           | SA15179       | 2     | TELLERFEDER (A)   |
| 29           | SA11111       | 1     | DRUCKSCHLEIBE   |
| 30           | SA30850       | 1     | SPRENGRING (A) 32X1,25MM  |
| 31           | SA11113       | 2     | BELAG (A)   |
| 32           | SA33214       | 1     | MESSER  |
| 33           | SA29788       | 1     | DRUCKSCHLEIBE   |
| 34           | SA29787       | 1     | SCHLEIBE  |
| 35           | SA15234       | 1     | FEDERRING (A) 10MM  |
| 36           | SA11903       | 1     | SCHRAUBE * UNF3/8"X50,8MM<br>(A) WERDEN NUR NOCH IN PACKMENGEN<br>GELIEFERT |



SA000371

| Reihennummer | Artikelnummer | Menge | Description                                |
|--------------|---------------|-------|--|
| 1            | SA31182       | 1     | HALTER * RH                                |
| 2            | SA33213       | 1     | GRIFF *                                    |
| 3            | SA31208       | 1     | DRUCKKNOPF                                 |
| 4            | SA31234       | 1     | DRUCKFEDER                                 |
| 5            | SA31207       | 1     | FUEHRUNG                                   |
| 6            | SA31180       | 1     | HALTER * LH                                |
| 7            | SA31264       | 4     | SCHRAUBE * M5X16                           |
| 8            | SA31196       | 1     | HALTER *                                   |
| 9            | SA29854       | 1     | SCHRAUBE * M5X12                           |
| 10           | SA31205       | 1     | STANGE *                                   |
| 11           | SA31229       | 1     | BOLZEN 5H11X20                             |
| 12           | SA18796       | 1     | FEDERMUTTER (A)                            |
| 13           | SA31230       | 1     | ZUGFEDER                                   |
| 14           | SA31231       | 1     | ZUGFEDER                                   |
| 15           | SA31201       | 3     | BUECHSE                                    |
| 16           | SA34086       | 1     | HINTERACHSE REAR, RH                       |
| 17           | SA30314       | 1     | KAPPE                                      |
| 18           | SA31198       | 1     | GETRIEBE                                   |
| 19           | SA32011       | 1     | INNENSECHSKANTSCHRAUBE M6X16               |
| 20           | SA12168       | 1     | SCHEIBE                                    |
| 21           | SA31199       | 1     | FUEHRUNG                                   |
| 22           | SA29854       | 1     | SCHRAUBE * M5X12                           |
| 23           | SA34087       | 1     | HINTERACHSE REAR LH                        |
| 24           | SA15323       | 1     | SECHSKANTSCHRAUBE M6X20                    |
| 25           | SA11244       | 1     | SICHERUNGSMUTTER (A) M6                    |
| 26           | SA34586       | 2     | ABDECKUNG (SUB FOR SA33242)                |
| 27           | SA34979       | 1     | SCHEIBE                                    |
| 28           | SA33233       | 2     | RAD (C) REAR                               |
|              | SA34529       | 1     | RAD REAR (FOR SA35404)                     |
| 29           | SA12316       | 4     | NADELLAGER HK 1212                         |
| 30           | SA33231       | 4     | KAPPE                                      |
| 31           | SA35404       | 1     | RAD ASSY, REAR                             |
| 32           | SA30604       | 2     | RITZEL                                     |
| 33           | SA13922       | 2     | FEDERMUTTER (A)                            |
| 34           | SA15213       | 4     | UNTERLEGSCHIEBE (A) 8,4MM                  |
| 35           | SA11998       | 4     | SICHERUNGSMUTTER (A) M8                    |
| 36           | SA13912       | 6     | SCHEIBE (A)                                |
| 37           | SA13911       | 2     | FEDERSCHIEBE (A)                           |
| 38           | SA13910       | 2     | RITZEL                                     |
| 39           | SA15864       | 2     | SPRENGRING 14X1MM                          |
| 40           | SA35229       | 2     | SCHEIBE                                    |
| 41           | SA33230       | 2     | RAD (B) FRONT                              |
|              | SA34392       | 1     | RAD KPL. MIT BEREIFUNG FRONT (FOR SA35403) |
| 42           | SA33229       | 4     | KUGELLAGER                                 |
| 43           | SA35403       | 1     | RAD ASSY, FRONT                            |
| 44           | SA31197       | 1     | ACHSE FRONT                                |
| 45           | SA33232       | 4     | HALTER * [-003407]                         |
|              | SA34649       | 4     | FEDERKLEMMME [003408-]                     |
| 46           | SA29854       | 4     | SCHRAUBE * M5X12                           |
| 47           | SA33234       | 1     | VERBINDUNGSSTANGE                          |
| 48           | SA17006       | 2     | BOLZEN 6H11X13,5                           |

| Preisnummer | Artikelnummer | Menge | Description   |
|-------------|---------------|-------|---|
| 49          | SA31710       | 2     | FEDERMUTTER (A)   |
| 50          | SA15905       | 1     | ANZEIGEGERAET<br>(A) WERDEN NUR NOCH IN PACKMENGEN<br>GELIEFERT<br><br>(B) WENN BESTAND AUFGEBRAUCHT<br>BESTELLE BAUGRUPPE SA35403<br><br>(C) WENN BESTAND AUFGEBRAUCHT<br>BESTELLE BAUGRUPPE SA35404 |