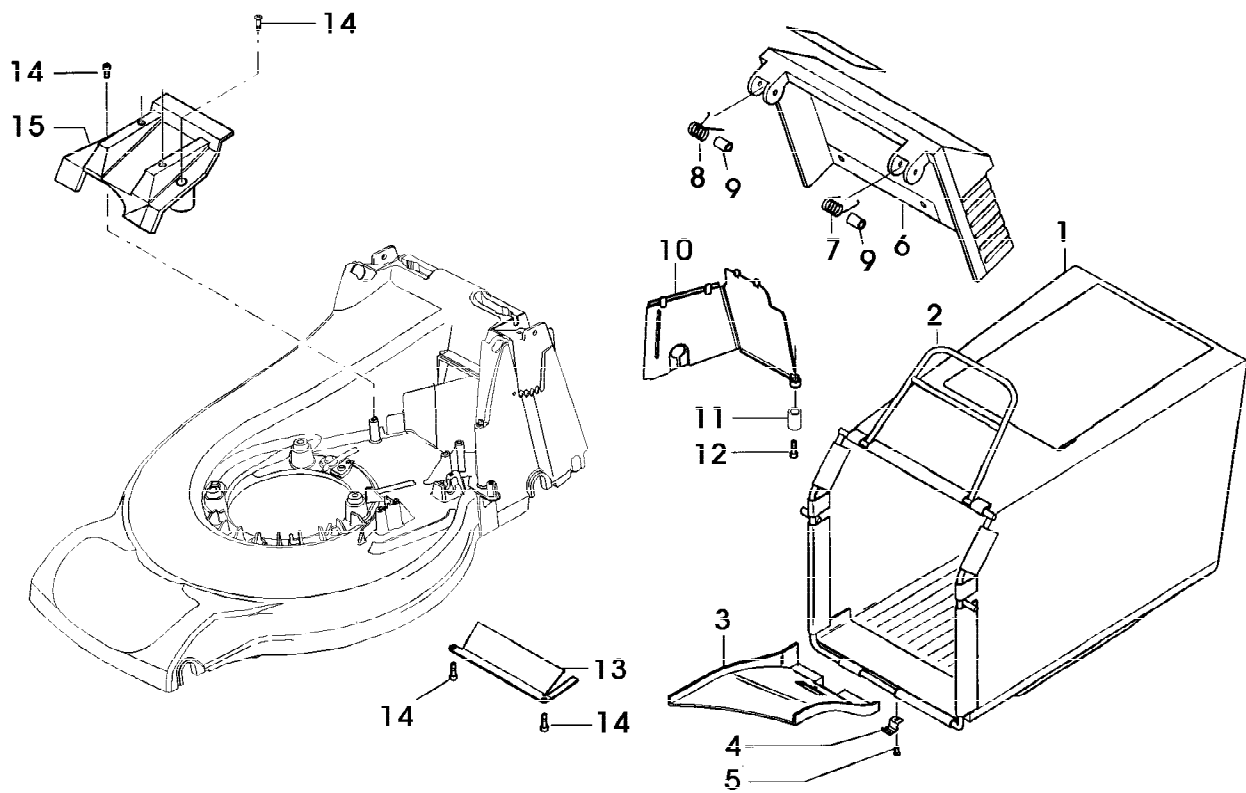


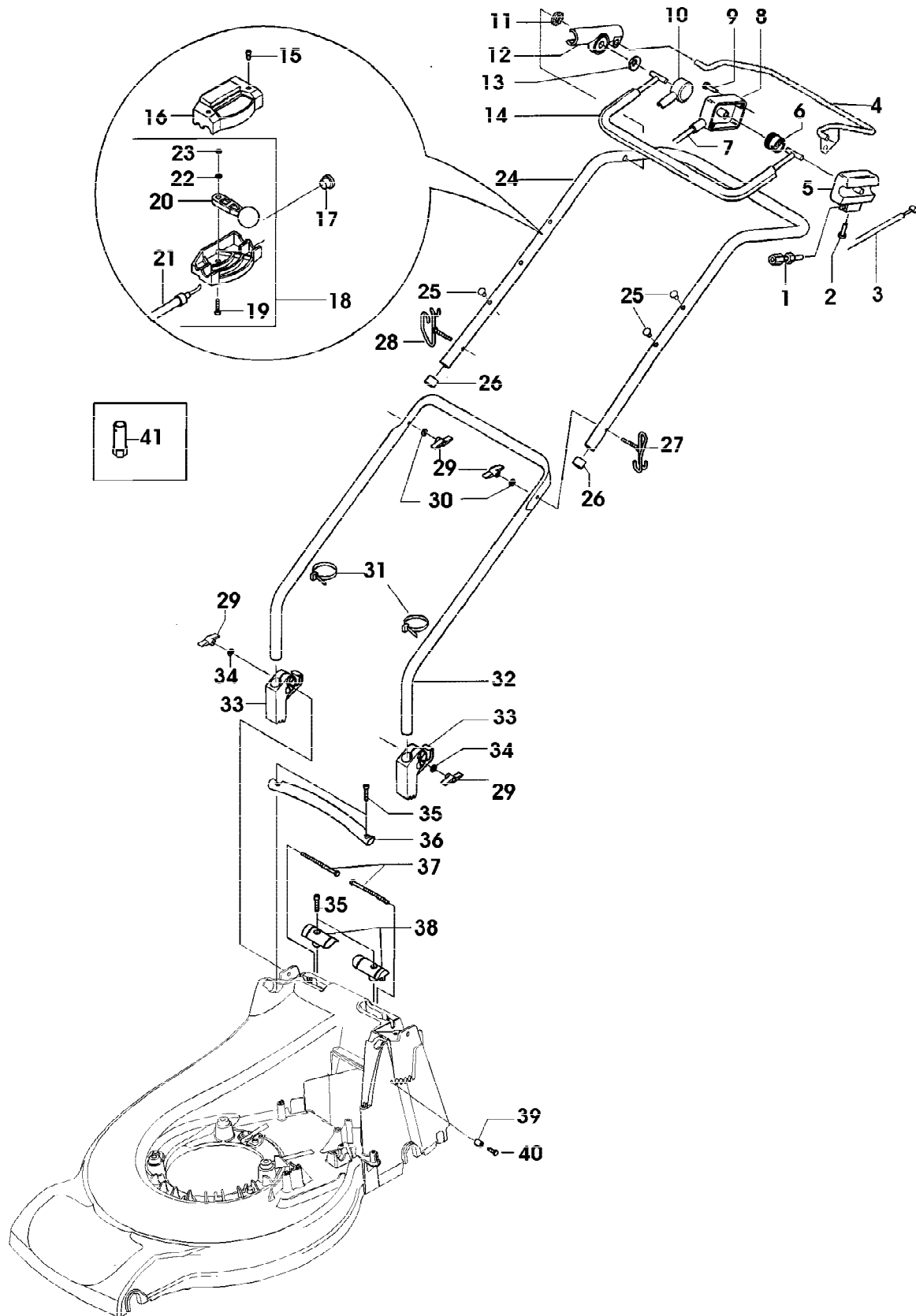


---

| Preisnummer | Artikelnummer | Menge | Description |
|-------------|---------------|-------|-------------|
| 1           | SA34135       | 1     | AUFKLEBER   |
| 2           | SA36391       | 1     | AUFKLEBER   |

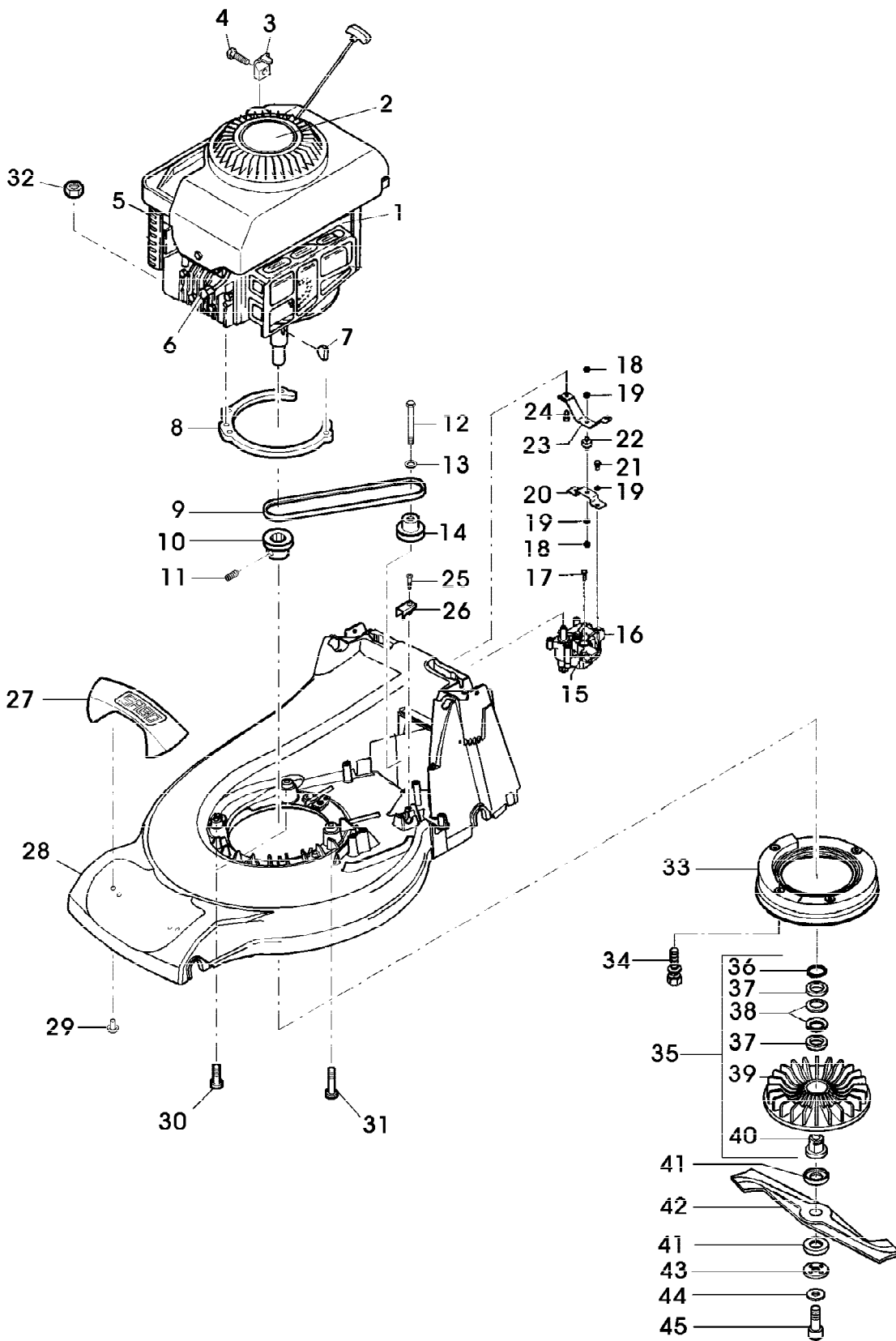


| Reihennummer | Artikelnummer | Menge | Description   |
|--------------|---------------|-------|---|
| 1            | SA36105       | 1     | GRASFANGBEHAELTER   |
| 2            | SA36739       | 1     | RAHMEN  |
| 3            | SA33244       | 1     | RUTSCHE   |
| 4            | SA17715       | 1     | FEDERKLEMME (A)   |
| 5            |               | 1     | 3,9X5,7 (SUB SA15541,SA15200,SA15410)                     |
| 6            | SA36193       | 1     | PRALLSCHUTZ   |
| 7            | SA31261       | 1     | FEDER LH  |
| 8            | SA11397       | 1     | FEDER RH  |
| 9            | SA36640       | 2     | BUECHSE   |
| 10           | SA36107       | 1     | ABDECKUNG   |
| 11           | SA17621       | 1     | DISTANZSTUECK   |
| 12           | SA35503       | 3     | SCHRAUBE * DUO TAPTITE CM 60X20                           |
| 13           | SA36109       | 1     | BLECH   |
| 14           | SA34452       | 4     | SCHRAUBE * DUO TAPTITE CM 6,0X14                          |
| 15           | SA36699       | 1     | BLLENDE<br>(A) WERDEN NUR NOCH IN PACKMENGEN<br>GELIEFERT |



| Reihennummer | Artikelnummer | Menge | Description                      |
|--------------|---------------|-------|----------------------------------|
| 1            | SA34098       | 1     | STELLSCHRAUBE                    |
| 2            | SA33975       | 2     | SCHRAUBE * KB 40X35              |
| 3            | SA36704       | 1     | SEILZUG (A)                      |
| 4            | SA36698       | 1     | BUEGEL (A)                       |
| 5            | SA34831       | 1     | GEHAEUSE *                       |
| 6            | SA33955       | 1     | ROLLE                            |
| 7            | SA34403       | 1     | SEILZUG (B)                      |
| 8            | SA33952       | 1     | GEHAEUSE *                       |
| 9            | SA31423       | 2     | SCHRAUBE * KB 35X20              |
| 10           | SA33951       | 1     | ABDECKUNG RH                     |
| 11           | SA34247       | 1     | RING                             |
| 12           | SA34662       | 1     | LAGER RH                         |
| 13           | SA34089       | 1     | SCHEIBE                          |
| 14           | SA34660       | 1     | BUEGEL (B)                       |
| 15           | SA16268       | 2     | SCHRAUBE * 4,2X32                |
| 16           | SA31188       | 1     | GEHAEUSE * UP                    |
| 17           | SA31709       | 1     | STOPFEN                          |
| 18           | SA34509       | 1     | STEUERUNG ASSY, LOW              |
| 19           | SA15325       | 1     | SECHSKANTSCHRAUBE M6X30          |
| 20           | SA12768       | 1     | HEBEL                            |
| 21           | SA34510       | 1     | SEILZUG                          |
| 22           | SA15202       | 1     | UNTERLEGSCHEIBE 6,4              |
| 23           | SA11244       | 1     | SICHERUNGSMUTTER (C) M6          |
| 24           | SA34663       | 1     | LENKSTANGE UP                    |
| 25           | SA34099       | 3     | STOPFEN                          |
| 26           | SA34255       | 2     | STOPFEN (C)                      |
| 27           | SA35190       | 1     | FUEHRUNG M6                      |
| 28           | SA35436       | 1     | FUEHRUNG                         |
| 29           | SA31121       | 4     | FLUEGELMUTTER (C)                |
| 30           | SA11243       | 2     | UNTERLEGSCHEIBE                  |
| 31           | SA12505       | 4     | KABELBINDER                      |
| 32           | SA34405       | 1     | FUEHRUNG LOW                     |
| 33           | SA33256       | 2     | HALTER *                         |
| 34           | SA15212       | 2     | UNTERLEGSCHEIBE (C) A 6,4        |
| 35           | SA36124       | 4     | SCHRAUBE * DUO TAPTITE CM 6,0X30 |
| 36           | SA36094       | 1     | GRIFF *                          |
| 37           | SA31174       | 2     | SECHSKANTSCHRAUBE M6X100         |
| 38           | SA36115       | 1     | ABDECKUNG DREHLAGER LH+RH        |
| 39           | SA33212       | 1     | ANSCHLAG                         |
| 40           | SA31264       | 1     | SCHRAUBE * M5X16                 |
| 41           | SA11864       | 1     | SCHLUESSEL SW 21                 |

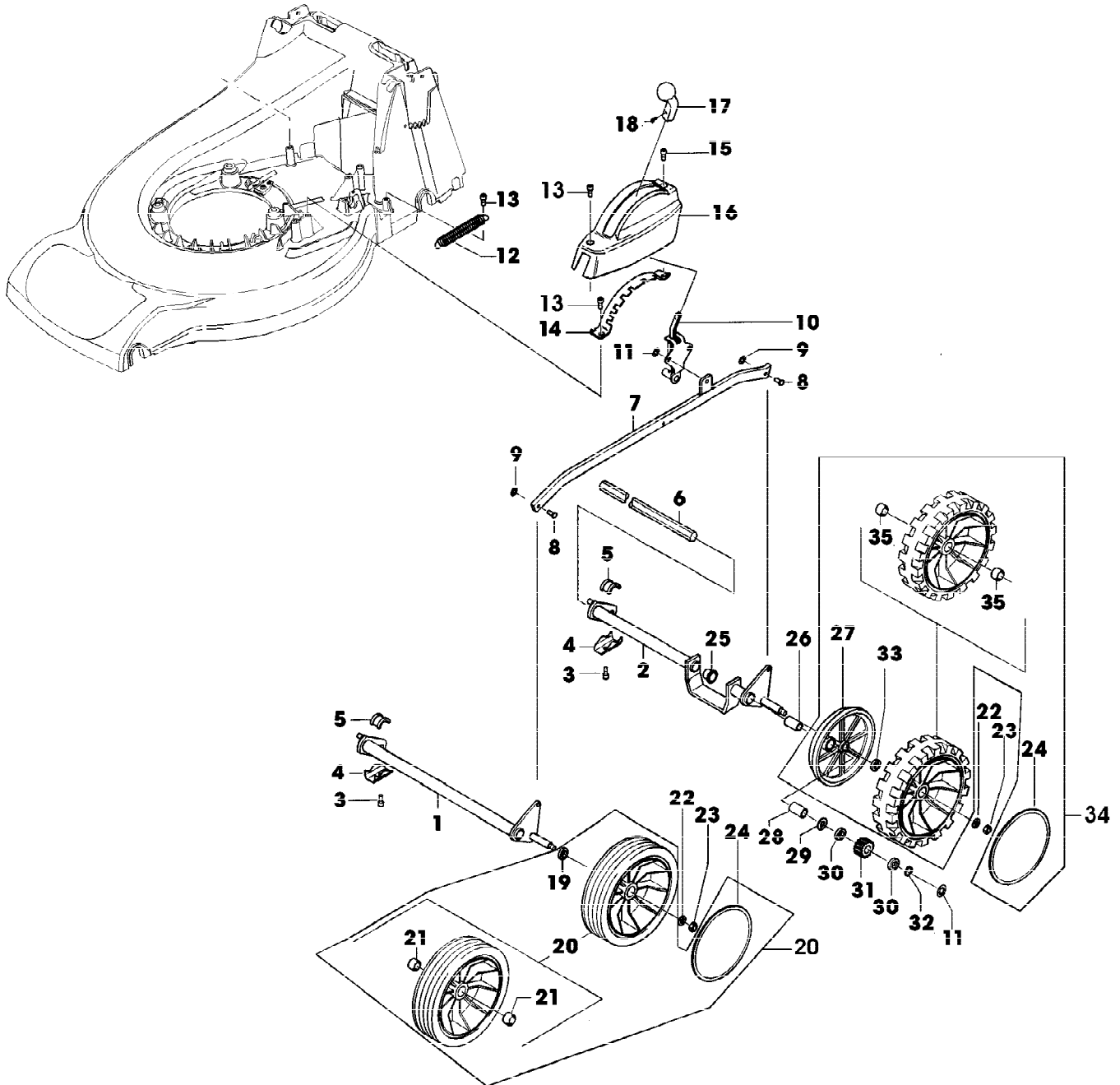
(A) FUER FAHRANTRIEB  
 (B) FUER MOTORBREMSE  
 (C) WERDEN NUR NOCH IN PACKMENGEN  
 DELIEFERT



## GEHAEUSE, MOTOR, LUEFTER, MESSERBALKEN, ANTRIEB, GETRIEBE

| Reihennummer | Artikelnummer | Menge | Description  |
|--------------|---------------|-------|--|
| 1            | SA26797       | 1     | BENZINMOTOR B&S QUANTUM XM 50<br>MODEL 12F802 TYP 0637-0                 |
| 2            | SA26600       | 1     | ABDECKUNG  |
| 3            | SA26799       | 1     | KLEMME   |
| 4            | SA26798       | 1     | SCHRAUBE *   |
| 5            | SA26547       | 1     | FILTEREINSATZ  |
| 6            | SA16815       | 1     | ZUENDKERZE   |
| 7            | SA15967       | 2     | KEIL * 4X6,5   |
| 8            | SA34937       | 1     | RING   |
| 9            | SA36701       | 1     | KEILRIEMEN   |
| 10           | SA35597       | 1     | RIEMENSCHLEIFE   |
| 11           | SA15776       | 1     | STELLSCHRAUBE M6X16  |
| 12           | SA19260       | 1     | SCHRAUBE * M6X60   |
| 13           | SA15202       | 1     | UNTERLEGSCHLEIFE 6,4   |
| 14           | SA30451       | 1     | RIEMENSCHLEIFE ASSY  |
| 15           | SA34279       | 1     | FUEHRUNG   |
| 16           | SA34286       | 1     | GETRIEBE   |
| 17           | SA31264       | 1     | SCHRAUBE * M5X16   |
| 18           | SA15412       | 2     | MUTTER M6  |
| 19           | SA15232       | 4     | FEDERRING A6   |
| 20           | SA35432       | 1     | HALTER * LOW   |
| 21           | SA15364       | 2     | SECHSKANTSCHRAUBE M6X12  |
| 22           | SA35433       | 1     | PUFFER TYP A   |
| 23           | SA36257       | 1     | HALTER * UP  |
| 24           | SA34452       | 6     | SCHRAUBE * DUO TAPTITE CM 6,0X14   |
| 25           | SA29854       | 1     | SCHRAUBE * (A) M5X12   |
| 26           | SA36388       | 1     | KLEMME   |
| 27           | SA36405       | 1     | GRIFF * (INCL KEYS SA36391)  |
| 28           | SA36705       | 1     | MAEHGEHAEUSE   |
| 29           | SA35503       | 2     | SCHRAUBE * DUO TAPTITE CM 60X20  |
| 30           | SA15572       | 2     | SCHRAUBE * M8X45   |
| 31           | SA30647       | 1     | SCHRAUBE * M8X75   |
| 32           | SA11998       | 3     | SICHERUNGSMUTTER M8  |
| 33           | SA36688       | 1     | LUEFTERHAUBE   |
| 34           | SA34452       | 4     | SCHRAUBE * DUO TAPTITE CM 6,0X14   |
| 35           | SA35172       | 1     | LUEFTER ASSY   |
| 36           | SA15739       | 1     | SPRENGRING 31X1,5  |
| 37           | SA11896       | 2     | UNTERLEGSCHLEIFE   |
| 38           | SA15179       | 2     | TELLERFEDER (A)  |
| 39           | SA15180       | 1     | LUEFTER  |
| 40           | SA35171       | 1     | FLANSCH  |
| 41           | SA34368       | 2     | SCHLEIFE   |
| 42           | SA33214       | 1     | MESSER   |
| 43           | SA35170       | 1     | SCHLEIFE   |
| 44           | SA34499       | 1     | SCHLEIFE M8  |
| 45           | SA11866       | 1     | SCHRAUBE * NF 3/8X44,4<br>(A) WERDEN NUR NOCH IN PACKMENGEN<br>GELIEFERT |





| Reihennummer | Artikelnummer | Menge | Description  |
|--------------|---------------|-------|--|
| 1            | SA34451       | 1     | ACHSE FRONT  |
| 2            | SA36097       | 1     | HINTERACHSE REAR   |
| 3            | SA29854       | 4     | SCHRAUBE * M5X12   |
| 4            | SA36261       | 4     | KLEMME   |
| 5            | SA31711       | 4     | LAGERSCHALE  |
| 6            | SA34283       | 1     | WELLE  |
| 7            | SA36702       | 1     | VERBINDUNGSSTANGE  |
| 8            | SA17006       | 2     | BOLZEN 6 H11X 13,5   |
| 9            | SA12973       | 2     | FEDERMUTTER (A) D6   |
| 10           | SA36100       | 1     | HEBEL  |
| 11           | SA34282       | 3     | FEDERMUTTER 8  |
| 12           | SA35273       | 1     | ZUGFEDER   |
| 13           | SA34452       | 1     | SCHRAUBE * DUO TAPTITE CM 6,0X14                                     |
| 14           | SA36116       | 1     | SEGMENT  |
| 15           | SA35503       | 1     | SCHRAUBE * DUO TAPTITE CM 60X20                                      |
| 16           | SA36095       | 1     | ABDECKUNG  |
| 17           | SA35086       | 1     | GRIFF *  |
| 18           | SA35023       | 1     | SCHRAUBE * EJOT 30X8   |
| 19           | SA35229       | 2     | SCHEIBE  |
| 20           | SA35403       | 2     | RAD ASSY FRONT, 180 MM   |
| 21           | SA33229       | 4     | KUGELLAGER   |
| 22           | SA15213       | 1     | UNTERLEGSCHEIBE (A) A8,4   |
| 23           | SA11998       | 4     | SICHERUNGSMUTTER (A) M8  |
| 24           | SA36555       | 4     | DECKEL   |
| 25           | SA34285       | 1     | LAGER  |
| 26           | SA31201       | 2     | BUECHSE  |
| 27           | SA35182       | 2     | ABDECKUNG  |
| 28           | SA34284       | 2     | MITNEHMER  |
| 29           | SA13911       | 2     | FEDERSCHEIBE (A)   |
| 30           | SA13912       | 4     | SCHEIBE (A)  |
| 31           | SA34504       | 1     | RITZEL LH  |
|              | SA34503       | 1     | RITZEL RH  |
| 32           | SA15864       | 2     | SPRENGRING 14X1  |
| 33           | SA35424       | 2     | SCHEIBE  |
| 34           | SA35405       | 2     | RAD ASSY REAR, 180 MM  |
| 35           | SA12316       | 4     | NADELLAGER HK 1212<br>(A) WERDEN NUR NOCH IN PACKMENGEN<br>GELIEFERT |