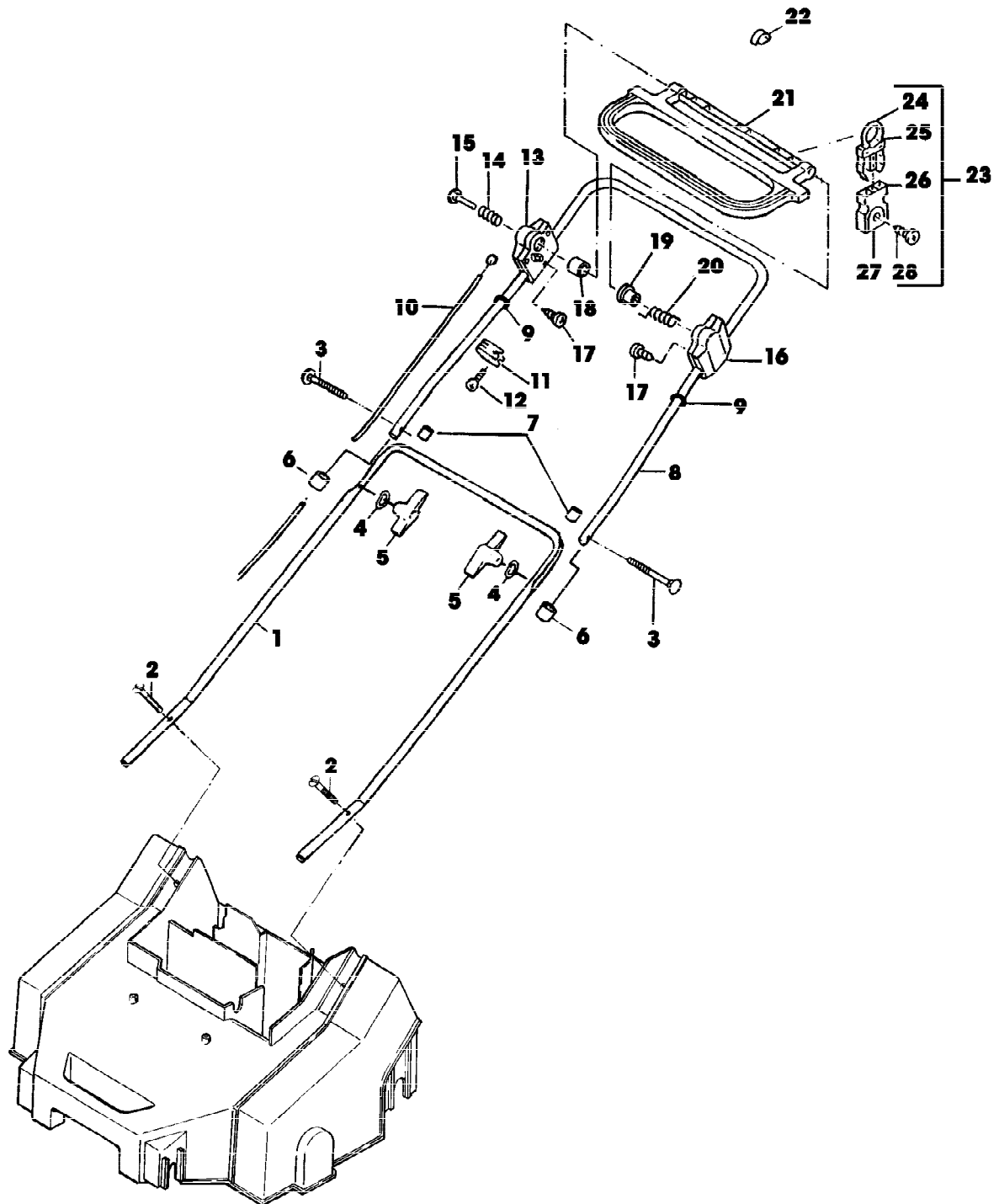


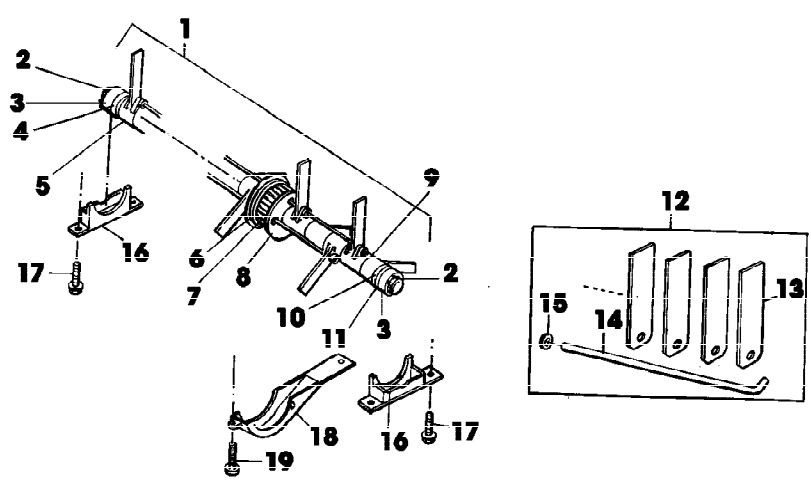
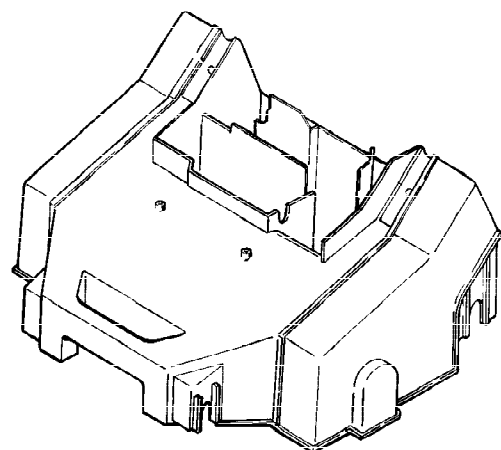
| Preferenznummer | Artikelnummer | Menge | Description |
|-----------------|---------------|-------|-----------------------------|
| 1 | SA34669 | 1 | AUFKLEBER (SUB FOR SA17300) |
| 2 | SA30969 | 1 | AUFKLEBER |



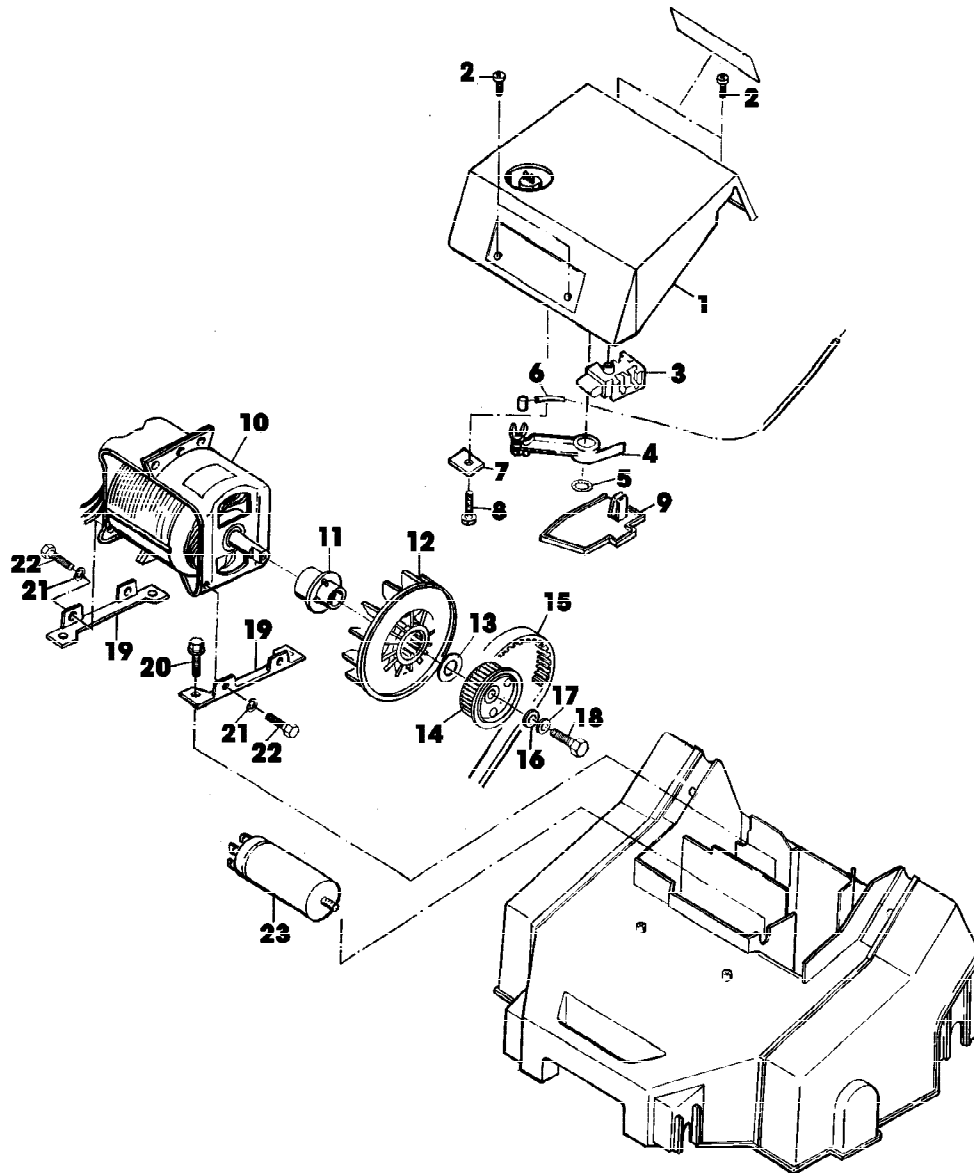
| Reihennummer | Artikelnummer | Menge | Description |
|--------------|---------------|-------|--|
| 1 | SA11285 | 1 | FUEHRUNG LOW |
| 2 | SA30950 | 2 | SCHRAUBE * M6X30 |
| 3 | SA15632 | 2 | SCHRAUBE * M6X45 |
| 4 | SA11243 | 2 | UNTERLEGSCHEIBE |
| 5 | SA31121 | 2 | FLUEGELMUTTER (A) |
| 6 | SA15893 | 2 | KAPPE (A) |
| 7 | SA17148 | 2 | ISOLATOR |
| 8 | SA32604 | 1 | LENKSTANGE UP |
| 9 | SA33773 | 2 | O-RING (A) |
| 10 | SA34031 | 1 | SEILZUG |
| 11 | SA11311 | 1 | KLEMME |
| 12 | SA16267 | 1 | SCHRAUBE * (A) 4,2X13 |
| 13 | SA32603 | 1 | GEHAEUSE * RH |
| 14 | SA15876 | 1 | DRUCKFEDER |
| 15 | SA11259 | 1 | DRUCKKNOPF |
| 16 | SA32601 | 1 | GEHAEUSE * LH |
| 17 | SA31423 | 6 | SCHRAUBE * KB 35X20 |
| 18 | SA32602 | 1 | ROLLE |
| 19 | SA17010 | 1 | DISTANZSTUECK |
| 20 | SA32375 | 1 | FEDER |
| 21 | SA32600 | 1 | GRIFF * |
| 22 | SA32374 | 1 | KLEMME (A) |
| 23 | SA31745 | 1 | KABELHALTER ASSY |
| 24 | | 1 | NSEP (ORD SA31745) |
| 25 | | 1 | NSEP (ORD SA31745) |
| 26 | | 1 | NSEP (ORD SA31745) |
| 27 | | 1 | NSEP (ORD SA31745) |
| 28 | | 1 | NSEP (ORD SA31745) KBL 50X14 (A) WERDEN NUR NOCH IN PACKMENGEN GELIEFERT |

| Reihennummer | Artikelnummer | Menge | Description |
|--------------|---------------|-------|---|
| 1 | SA30968 | 1 | GEHAEUSE * |
| 2 | SA31246 | 1 | SCHUTZ |
| 3 | SA31457 | 1 | AUFHAENGER |
| 4 | SA31429 | 2 | BLECH FRONT |
| 5 | SA16267 | 15 | SCHRAUBE * (A) 4,2X13 |
| 6 | SA30925 | 2 | HALTER * |
| 7 | SA33191 | 4 | RAD ASSY (INCL KEYS 8, 9) (SUB SA36557) |
| 8 | SA18758 | 8 | DISTANZSTUECK |
| 9 | SA18759 | 4 | GRIFF * NSEP (ORD SA36557) |

(A) WERDEN NUR NOCH IN PACKMENGEN
GELIEFERT



| Reihennummer | Artikelnummer | Menge | Description |
|--------------|---------------|-------|---|
| 1 | SA31888 | 1 | WELLE ASSY INCL KEYS 2,3,4,5,6,7,8,9,10,11,12 |
| 2 | SA16245 | 2 | SPRENGRING 15X1 |
| 3 | SA18087 | 2 | KUGELLAGER 6002 2RS |
| 4 | SA31250 | 1 | PASSSTUECK RH |
| 5 | SA30943 | 18 | DISTANZSTUECK |
| 6 | SA31247 | 2 | DICHTUNG |
| 7 | SA30927 | 1 | RIEMENSCHLEIFE |
| 8 | SA31115 | 1 | SCHLEIFE |
| 9 | SA30945 | 2 | FEDERSCHLEIFE |
| 10 | SA31249 | 1 | DISTANZSTUECK |
| 11 | SA31251 | 1 | PASSSTUECK LH |
| 12 | SA31272 | 1 | TEILESATZ ASSY (INCL KEYS SA30928, SA30970, SA18796) |
| 13 | SA30928 | 18 | MESSER |
| 14 | SA30970 | 3 | VERBINDUNGSSTANGE |
| 15 | SA18796 | 3 | FEDERMUTTER (A) |
| 16 | SA30930 | 2 | LAGERSCHALE |
| 17 | SA30473 | 4 | SCHRAUBE * K 70X18 |
| 18 | SA30931 | 1 | ABDECKUNG |
| 19 | SA16267 | 2 | SCHRAUBE * (A) 4,2X13 (A) WERDEN NUR NOCH IN PACKMENGEN GELIEFERT |



| Reihennummer | Artikelnummer | Menge | Description |
|--------------|---------------|-------|--|
| 1 | SA30935 | 1 | HAUBE |
| | SA31178 | 1 | HAUBE (B) ASSY (INCL KEYS SA30911, SA16267, SA12632) |
| | SA30911 | 1 | ELEKTR. STECKVERB. KLEMME (B) |
| | SA16267 | 3 | SCHRAUBE * (B) 4,2X13 |
| | SA12632 | 1 | ELEKTR. STECKVERB. KLEMME (B) |
| 2 | SA16267 | 4 | SCHRAUBE * (A) 4,2X13 |
| 3 | SA30476 | 1 | SCHALTER |
| 4 | SA30494 | 1 | HEBEL |
| 5 | SA18745 | 1 | WELLEGELENKSICHERUNGSSTIFT |
| 6 | SA34031 | 1 | SEILZUG |
| 7 | SA11311 | 1 | KLEMME |
| 8 | SA12182 | 1 | SCHRAUBE * 4,2X19 |
| 9 | SA30936 | 1 | DECKEL |
| 10 | SA30967 | 1 | ELEKTROMOTOR 1500W |
| 11 | SA30472 | 1 | NABE |
| 12 | SA30471 | 1 | LUEFTER |
| 13 | SA31469 | 1 | SCHEIBE |
| 14 | SA30934 | 1 | RIEMENSCHLEIFE |
| 15 | SA30944 | 1 | STEUERRIEMEN |
| 16 | SA12939 | 1 | SCHEIBE |
| 17 | SA15233 | 1 | FEDERRING |
| 18 | SA15365 | 1 | SECHSKANTSCHRAUBE M8X35 |
| 19 | SA30933 | 2 | HALTER * |
| 20 | SA30473 | 4 | SCHRAUBE * K 70X18 |
| 21 | SA15233 | 4 | FEDERRING (A) A8 |
| 22 | SA15328 | 4 | SECHSKANTSCHRAUBE M8X10 |
| 23 | SA30966 | 1 | KONDENSATOR * |
| | | | (A) WERDEN NUR NOCH IN PACKMENGEN GELIEFERT |
| | | | (B) AUSFUEHRUNG SCHWEIZ |