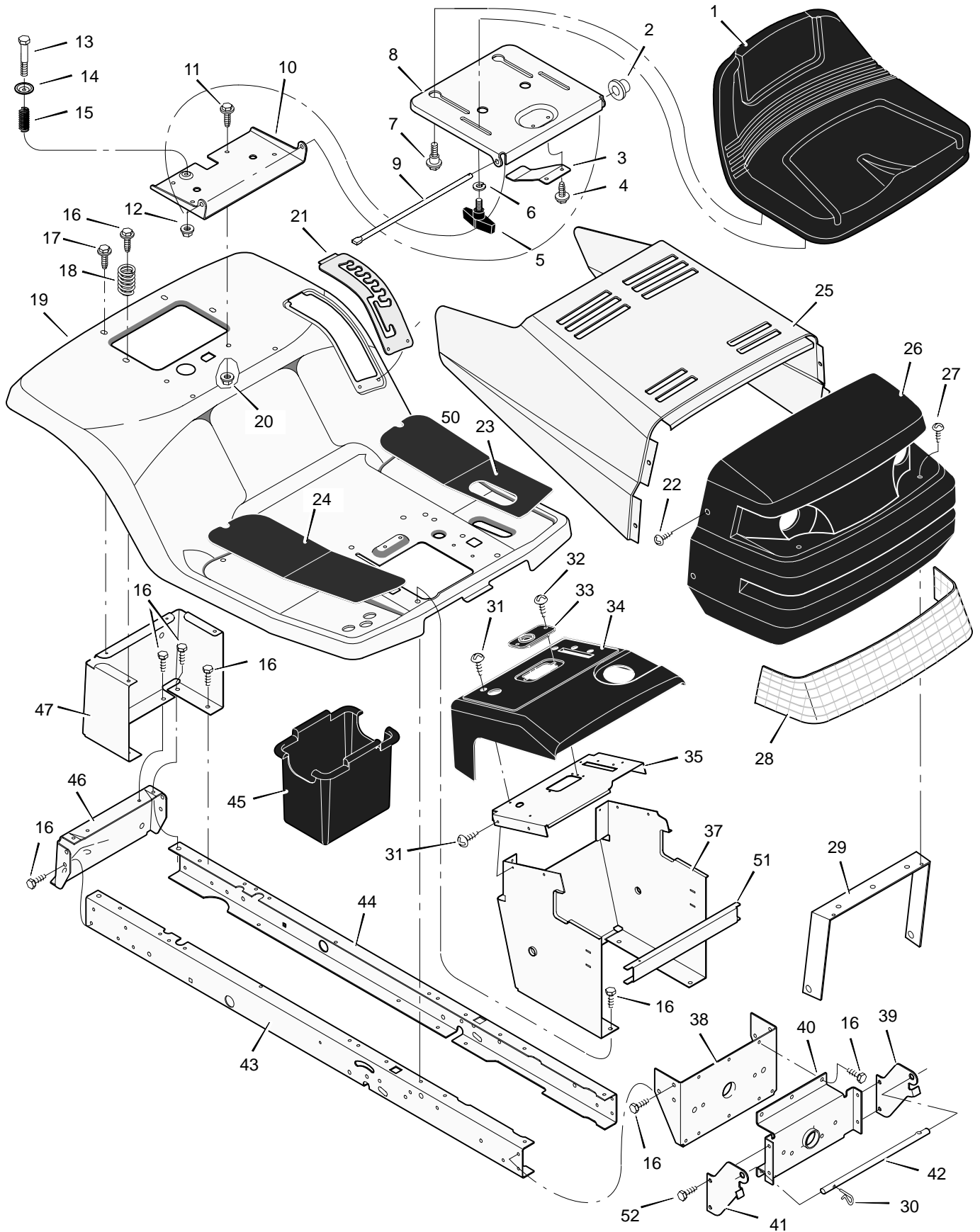


MODEL 405600x50A

REPAIR PARTS CHASSIS & HOOD



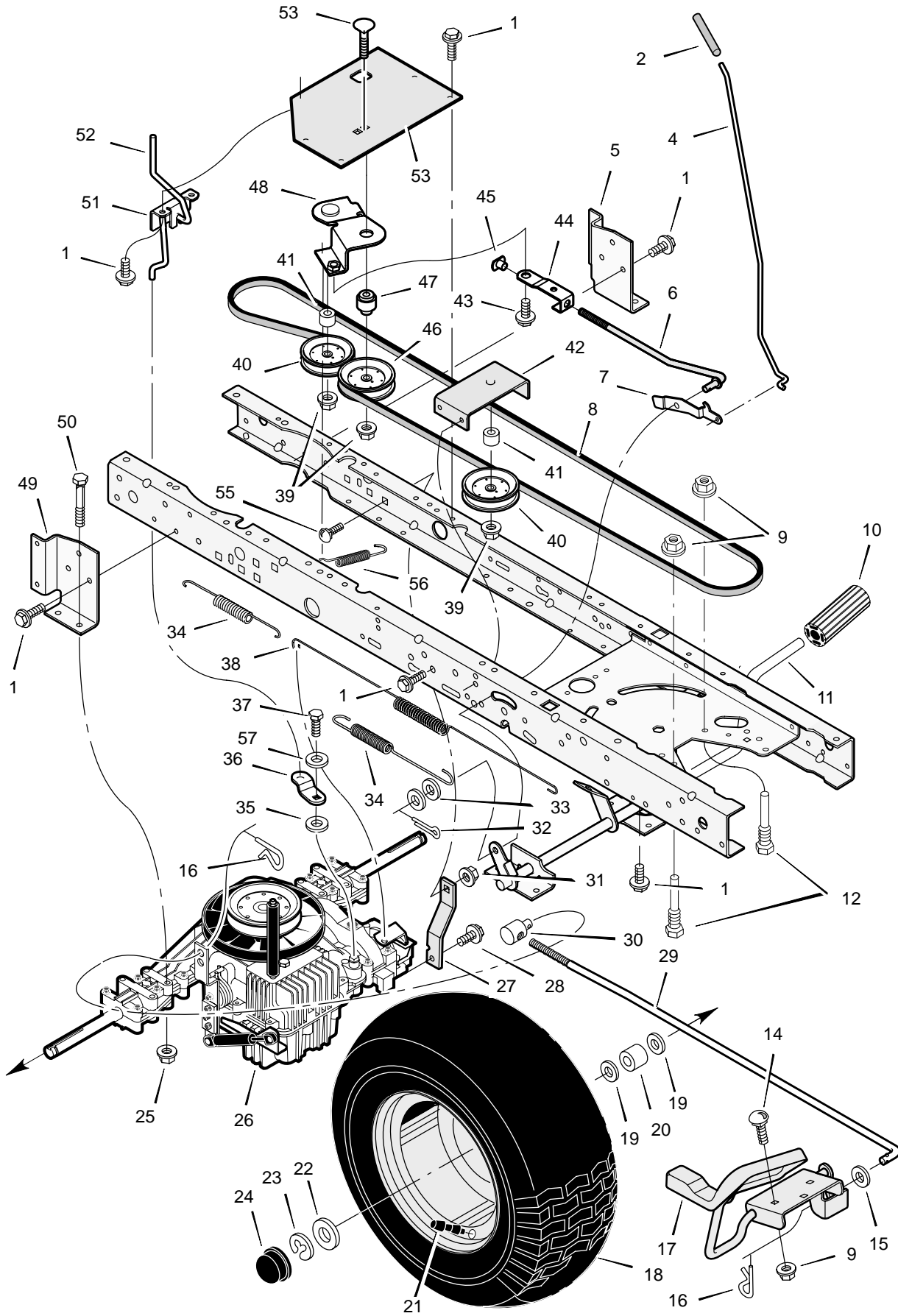
MODEL 405600x50A

REPAIR PARTS CHASSIS & HOOD

| Key No. | Description | Part No. | Key No. | Description | Part No. |
|---------|---------------------------------|------------|---------|-----------------------|-------------|
| 1 | Seat | 690567 | 27 | Screw | 26x239 |
| 2 | Cap, Push On | 028x23 | 28 | Lens | 092334 |
| 3 | Spring | 094057 | 29 | Brace, Grille | 092448 |
| 4 | Screw | 26x229 | 30 | Pin, Hair | 0031x4 |
| 5 | Bolt, Wing | 1001054 | 31 | Screw | 26x270 |
| 6 | Washer | 017x47 Z | 32 | Screw | 26x239 |
| 7 | Bolt, Shoulder | 009x56 | 33 | Bearing, Steering | 094214 |
| 8 | Support, Seat | 094154E700 | 34 | Dash | 095033E700 |
| 9 | Rod, Pivot | 094156 Z | 35 | Plate, Dash | 094211E700 |
| 10 | Bracket, Pivot | 094153E700 | 36 | Panel, Access | 093007E700 |
| 11 | Bolt | 001x45 | 37 | Support, Dash | 095323E700 |
| 12 | Nut | 015x89 | 38 | Bracket, Rear Hanger | 1001270E700 |
| 13 | Bolt, Shoulder | 009x55 | 39 | Support, Left Grille | 1001437E700 |
| 14 | Washer | 094155 Z | 40 | Axle, Hanger | 094007E700 |
| 15 | Spring | 164x31 | 41 | Support, Right Grille | 1001436E700 |
| 16 | Screw | 26x249 | 42 | Rod, Pivot | 092332 Z |
| 17 | Screw | 26x263 | 43 | Frame, Right | 1001268E701 |
| 18 | Spring | 164x30 | 44 | Frame, Left | 1001269E701 |
| 19 | Deck, Seat | 095122E245 | 45 | Container, Battery | 690424 |
| 20 | Nut | 015x88 | 46 | Plate, Hitch | 1001002E700 |
| 21 | Plate, Index | 094829E700 | 47 | Panel, Rear | 690434E700 |
| 23 | Mat, Left | 094371 | 50 | Nut | 015c81 |
| 24 | Mat, Right | 094372 | 51 | Channel | 094215E700 |
| 25 | Hood | 092333E245 | 52 | Screw | 26c277 |
| 26 | Grille Assembly (Includes Lens) | 094867 | — | Book, Instruction | F-020727L |

MODEL 405600x50A

REPAIR PARTS DRIVE ASSEMBLY



MODEL 405600x50A

REPAIR PARTS DRIVE ASSEMBLY

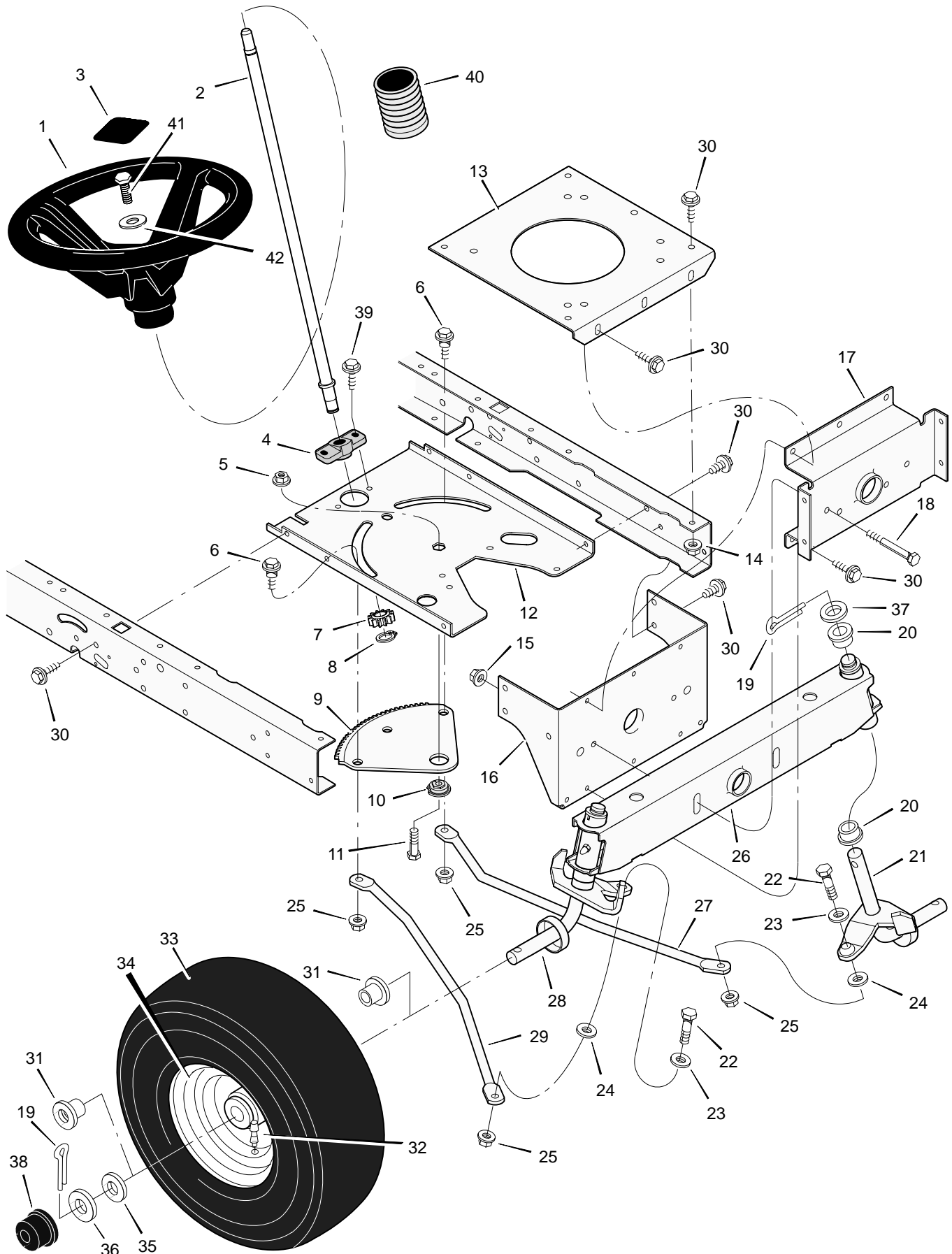
| Key No. | Description | Part No. | Key No. | Description | Part No. |
|---------|--------------------------|-------------|---------|--------------------------|------------|
| 1 | Screw | 26x249 | 30 | Nut, Adjusting | 092132 |
| 2 | Grip, Parking Brake | 091079 | 31 | Nut, Centerlock | 015x84 |
| 4 | Rod, Parking Brake | 1001271 Z | 32 | Pin, Cotter | 030x20 |
| 5 | Bracket, Left Transaxle | 094008E700 | 33 | Washer | 017x48 |
| 6 | Rod, Clutch | 1001013 Z | 34 | Spring, Extension | 165x92 |
| 7 | Latch, Parking Brake | 094045 Z | 35 | Washer | 17x148 |
| 8 | V-Belt, Drive | 37x106 | 36 | Arm, Disconnect | 1001086 Z |
| 9 | Nut, Flange | 015x79 | 37 | Capscrew | 06x105 |
| 10 | Pedal, Brake/Clutch | 021544 | 38 | Spring, Brake | 165x150 |
| 11 | Assembly, Brake Pedal | 1001011E700 | 39 | Locknut, Flange | 015x98 |
| 12 | Screw, Guide | 094384 | 40 | Pulley, Idler | 690409 |
| 14 | Bolt, Carriage | 002x53 | 41 | Spacer | 690369 |
| 15 | Washer | 017x57 | 42 | Bracket, Idler Assembly | 1001097 |
| 16 | Pin, Hair | 0031x4 | 43 | Bolt, Shoulder | 009x49 |
| 17 | Pedal Assembly, Hydro | 095121E700 | 44 | Link, Clutch | 1001007 Z |
| 18 | Wheel & Tire Ass'y, Rear | 092294-601 | 45 | Nut, Tee | 1001014 |
| -- | Tire ONLY * | 024375 | 46 | Pulley, Idler | 690410 |
| -- | Tube ONLY | 407049 | 47 | Bushing, Pivot | 1001012 |
| 19 | Washer | 17x160 | 48 | Arm Assembly, Idler | 1001018 Z |
| 20 | Spacer | 690554 Z | 49 | Bracket, Right Transaxle | 094008E700 |
| 21 | Stem, Valve | 024373 | 50 | Bolt, Hex | 01x155 |
| 22 | Washer | 17x195 | 51 | Bracket, Disconnect | 1001214 Z |
| 23 | E-Ring | 0011x3 | 52 | Rod, Disconnect | 1001215 Z |
| 24 | Cap, Hub | 094618 | 53 | Bracket, Idler Pivot | 1001108 |
| 25 | Nut, Centerlock | 015x88 | 54 | Bolt, Carriage | 002x92 |
| 26 | Transaxle | ** | 55 | Bolt, Carriage | 002x78 |
| 27 | Strap, Torque | 1001085 | 56 | Spring, Clutch | 165x155 |
| 28 | Screw | 26x216 | 57 | Washer | 017x38 |
| 29 | Rod, Control | 1001234 Z | | | |

* When you order a tire, make sure to give the brand name of the tire so that the tread pattern on the tire will match.

** For information on Replacement Parts see the Central Parts Distributor in your area.

MODEL 405600x50A

REPAIR PARTS STEERING



MODEL 405600x50A

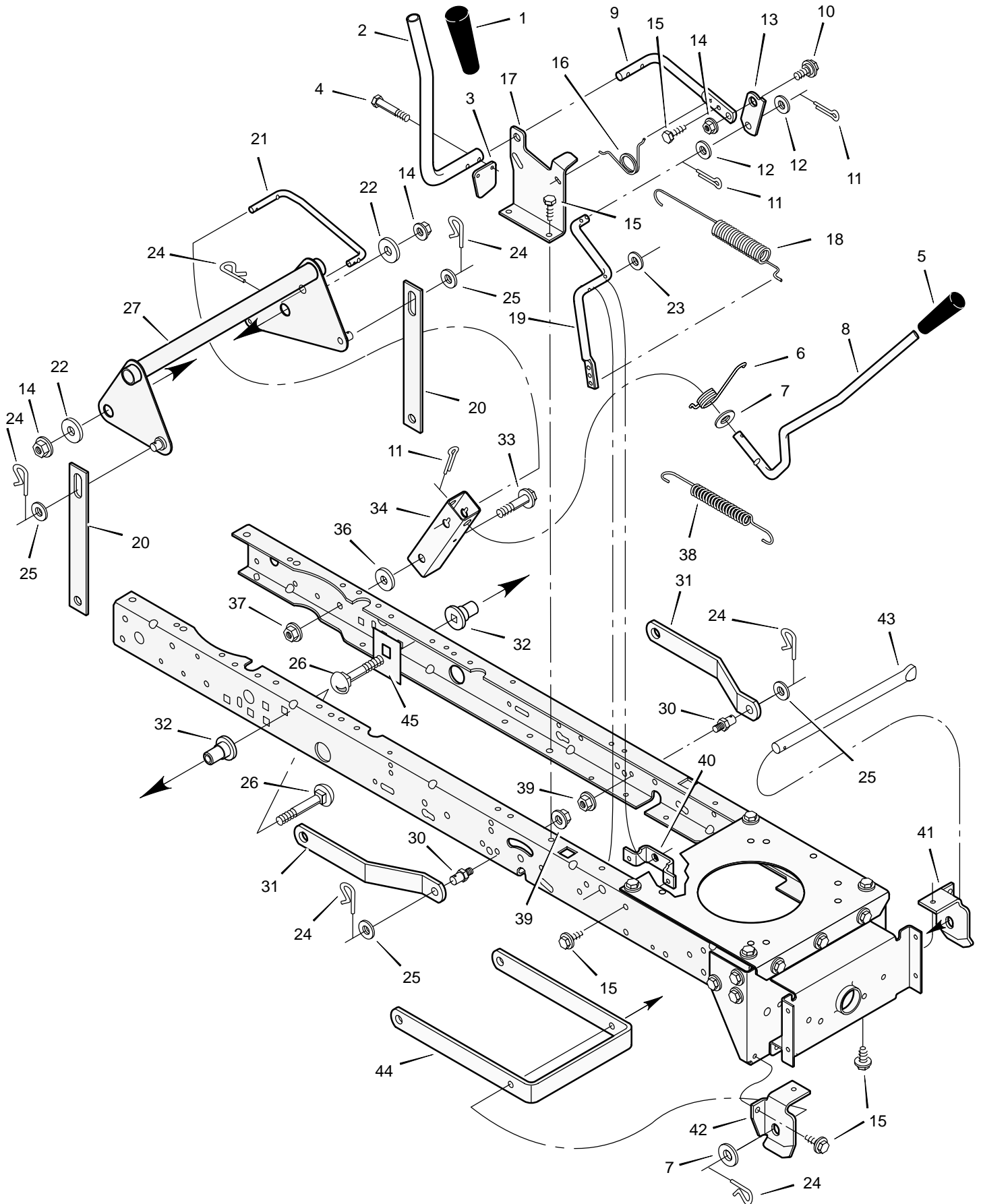
REPAIR PARTS STEERING

| Key No. | Description | Part No. | Key No. | Description | Part No. |
|---------|------------------------|-------------|---------|-------------------------|-------------|
| 1 | Wheel, Steering | 095184 | 23 | Washer | 17x104 |
| 2 | Post, Steering | 690626 | 24 | Washer | 17x53 Z |
| 3 | Insert, Steering Wheel | 711325 | 25 | Nut, Flange | 015x84 |
| 4 | Bearing | 094124 | 26 | Axle Assembly | 1001460E700 |
| 5 | Nut, Flange | 15x111 | 27 | Drag Link, Left | 095329E700 |
| 6 | Bolt, Shoulder | 009x57 | 28 | Spindle Assembly, Right | 094575E700 |
| 7 | Gear, Pinion | 690183E700 | 29 | Drag Link, Right | 095328E700 |
| 8 | Ring, Snap | 011x25 | 30 | Screw | 26x249 |
| 9 | Gear, Sector | 094121E700 | 31 | Bearing, Wheel | 091334 |
| 10 | Bearing | 094123 | 32 | Stem, Valve | 024373 |
| 11 | Bolt | 001x84 | 33 | Tire * | 024380 |
| 12 | Plate, Steering | 1001121E700 | — | Tube | 407924 |
| 13 | Plate, Engine | 094006E700 | 34 | Wheel and Tire Assembly | 094581-601 |
| 14 | Nut, Flange | 015x88 | 35 | Washer | 17x195 |
| 15 | Nut, Flange | 15x118 | 36 | Washer | 17x192 |
| 16 | Bracket, Hanger | 1001270E700 | 37 | Washer | 17x113 |
| 17 | Axle, Hanger | 094007E700 | 38 | Hub Cap | 094618 |
| 18 | Bolt | 01x146 | 39 | Screw | 26x267 |
| 19 | Pin, Cotter | 030x49 | 40 | Bellows | 054789 |
| 20 | Bearing | 690150 | 41 | Bolt | 0025x3 |
| 21 | Spindle Assembly, Left | 094576E700 | 42 | Washer | 17x146 |
| 22 | Bolt | 01x111 | | | |

* When you order a tire, make sure to give the brand name of the tire so that the tread pattern on the tire will match.

MODEL 405600x50A

REPAIR PARTS MOWER HOUSING SUSPENSION



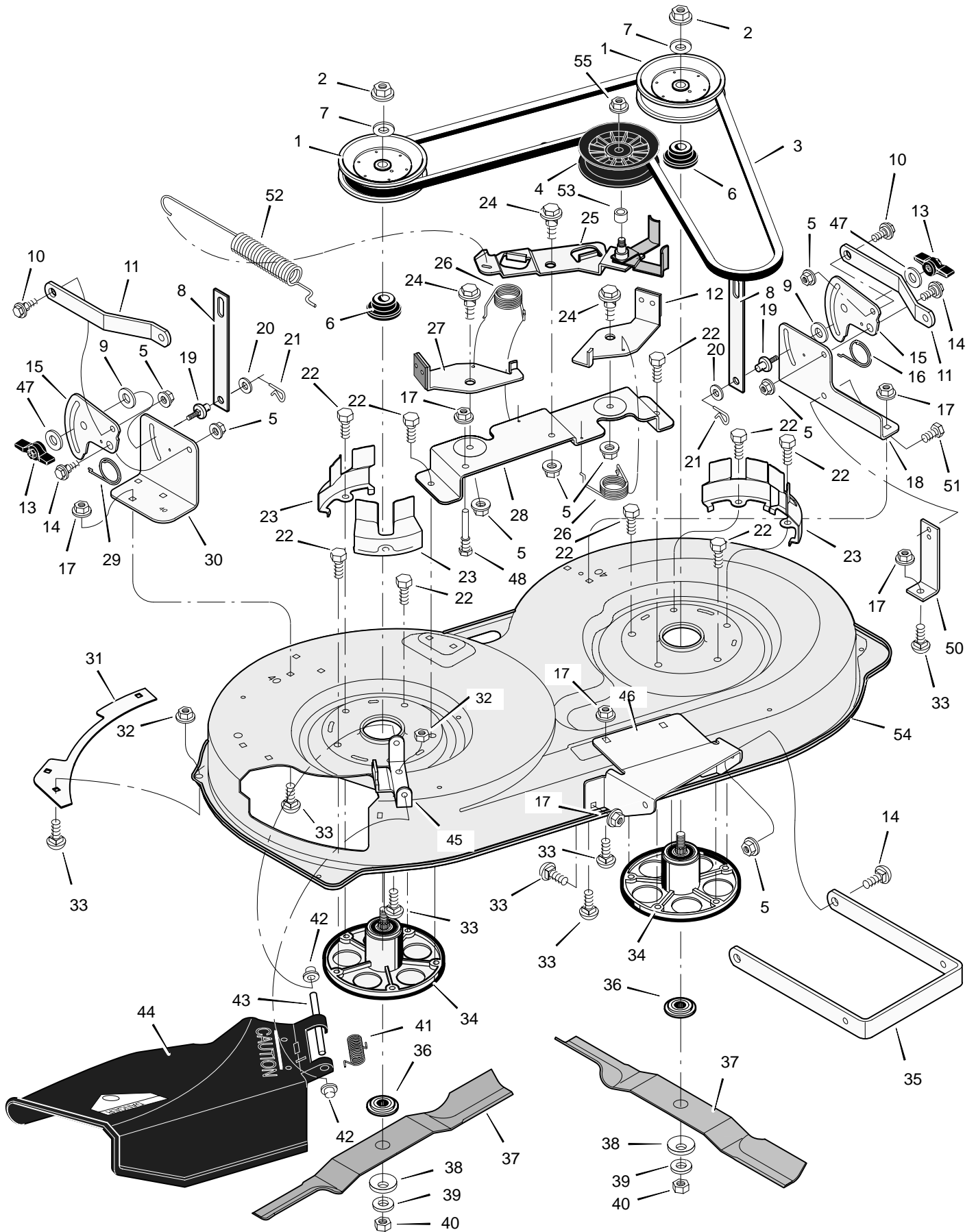
MODEL 405600x50A

REPAIR PARTS MOWER HOUSING SUSPENSION

| Key No. | Description | Part No. | Key No. | Description | Part No. |
|---------|-------------------|------------|---------|--------------------------|-------------|
| 1 | Grip | 092698 | 23 | Washer | 017x57 |
| 2 | Handle, PTO | 094346 Z | 24 | Pin, Hair | 0031x4 |
| 3 | Pad, Switch | 094022 Z | 25 | Washer | 017x91 |
| 4 | Bolt | 0025x3 | 26 | Bolt, Carriage | 002x85 |
| 5 | Grip | 092697 | 27 | Lever Assembly, Lift | 1001111E700 |
| 6 | Spring | 166x40 | 30 | Pin | 094067 |
| 7 | Washer | 17x103 | 31 | Bracket, Rear Suspension | 094055E700 |
| 8 | Handle, Lift | 690533 | 32 | Spacer, Lifter | 690151 |
| 9 | Lever, PTO | 094017 Z | 33 | Bolt, Shoulder | 009x53 |
| 10 | Bolt, Shoulder | 009x39 | 34 | Bracket, Pivot | 094015E700 |
| 11 | Pin, Cotter | 030x20 | 36 | Washer | 17x191 |
| 13 | Link, PTO | 094004 Z | 37 | Nut, Flange | 015x84 |
| 14 | Nut, Flange | 015x84 | 38 | Spring | 165x131 |
| 15 | Screw | 26x249 | 39 | Nut, Flange | 015x68 |
| 16 | Spring | 166x39 | 40 | Bracket, PTO | 094005E700 |
| 17 | Bracket, PTO | 094018E700 | 41 | Hanger, Left Deck | 094027E700 |
| 18 | Spring | 165x119 | 42 | Hanger, Right Deck | 094026E700 |
| 19 | Crank, PTO | 690394E700 | 43 | Rod, Hanger | 094158 Z |
| 20 | Link, Lift | 690212E700 | 44 | Bracket, Suspension | 690539E700 |
| 21 | Link, Lift Handle | 690122E700 | 45 | Plate, Stiffening | 1001098E700 |
| 22 | Washer | 17x168 | | | |

MODEL 405600x50A

REPAIR PARTS MOWER HOUSING



MODEL 405600x50A

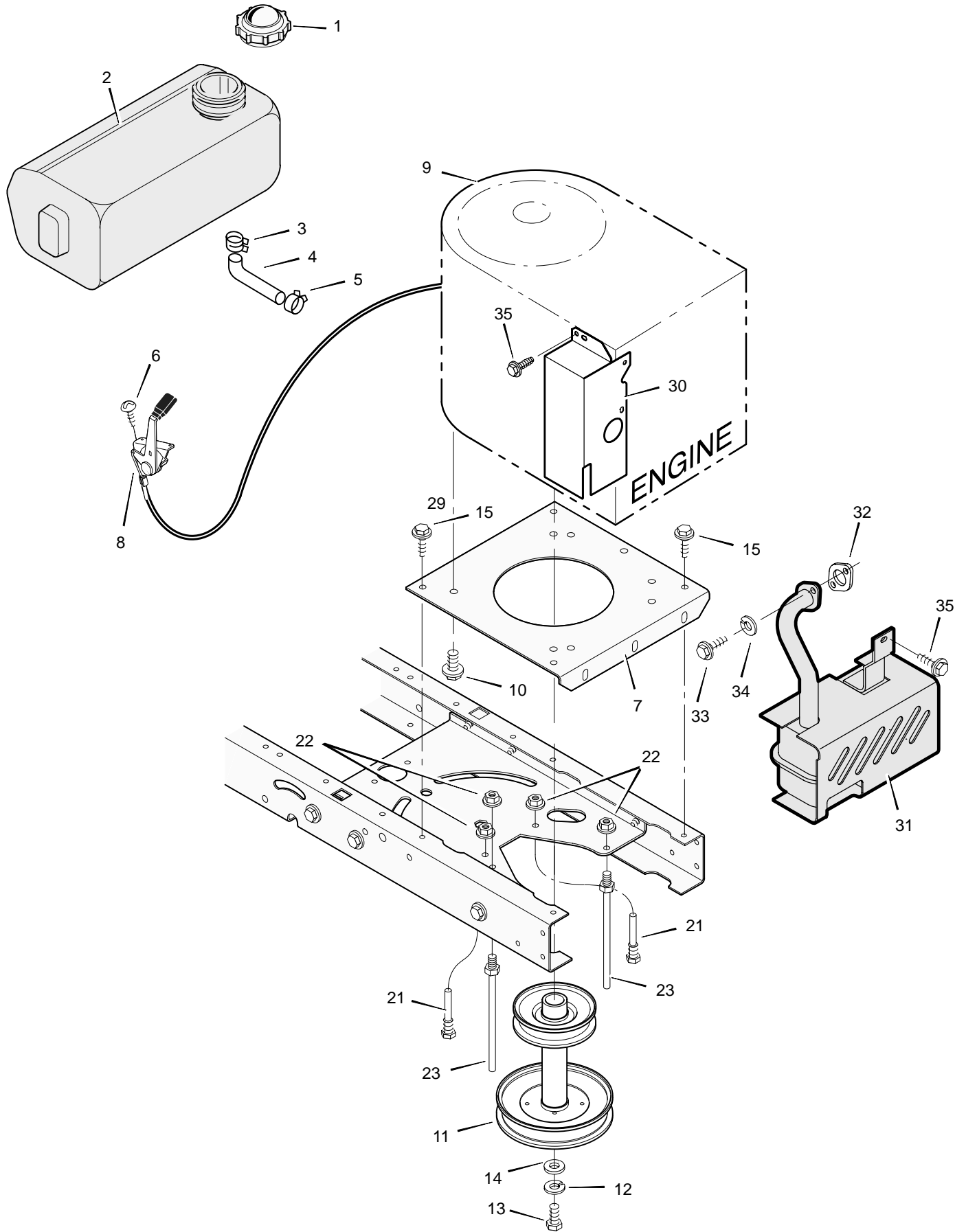
REPAIR PARTS MOWER HOUSING

| Key No. | Description | Part No. | Key No. | Description | Part No. |
|---------|---------------------------|------------|---------|---------------------------------|-------------|
| 1 | Pulley, Jackshaft | 092851 | 29 | Spring | 166x42 |
| 2 | Nut, Hex | 15x121 | 30 | Bracket, Suspension | 094142E700 |
| 3 | Belt, Mower Drive | 037x62 | 31 | Plate | 091770E700 |
| 4 | Pulley, Idler | 690387 | 32 | Nut, Flange | 015x88 |
| 5 | Nut, Flange | 015x84 | 33 | Bolt, Carriage | 02x53 |
| 6 | Spacer, Pulley | 1001197 | 34 | Mandrell | 1001200 |
| 8 | Link, Lift | 690212E700 | 35 | Bracket, Suspension | 690539E700 |
| 9 | Pad, Friction | 094137 | 36 | Adapter, Blade | 690411 |
| 10 | Bolt, Shoulder | 009x52 | 37 | Blade | 1001428E701 |
| 11 | Bracket, Suspension | 094055E700 | 38 | Washer | 17x166 |
| 12 | Pad Assembly, Left Brake | 094049E700 | 39 | Washer | 17x165 |
| 13 | Knob | 094068 | 40 | Nut | 15x100 |
| 14 | Bolt, Shoulder | 009x51 | 41 | Spring | 166x4 |
| 15 | Plate, Suspension | 094128E700 | 42 | Cap, Push On | 028x23 |
| 16 | Spring | 166x43 | 43 | Rod, Pivot | 094957 Z |
| 17 | Nut, Flange | 015x79 | 44 | Deflector Assembly | 094707 |
| 18 | Bracket, Suspension | 094143E700 | 45 | Bracket, Deflector | 094956E700 |
| 19 | Pin, Hanger | 095194 | 46 | Bracket, Front Hanger | 094144E700 |
| 20 | Washer | 017x91 | 47 | Washer | 017x45 Z |
| 21 | Pin, Cotter | 0031x4 | 48 | Guide, Belt | 94781 |
| 22 | Bolt | 0025x7 | 50 | Bracket, Support | 094681E700 |
| 23 | Cover, Pulley | 094051E700 | 51 | Screw | 26x249 |
| 24 | Bolt, Shoulder | 009x39 | 52 | Spring, Extension | 165x119 |
| 25 | Arm, Idler | 690408E700 | 54 | Housing, Blade * | 094141E700 |
| 26 | Spring | 0166x41 | 55 | Nut, Flange | 015x98 |
| 27 | Pad Assembly, Right Brake | 094047E700 | 1-55 | Complete Mower Housing Assembly | 776001 |
| 28 | Bracket Assembly, Brake | 094145E700 | | | |

* Includes Key No. 17, 18, 30, 31, 32, 33, 45, 46, 47 and 51.

MODEL 405600x50A

REPAIR PARTS ENGINE MOUNT



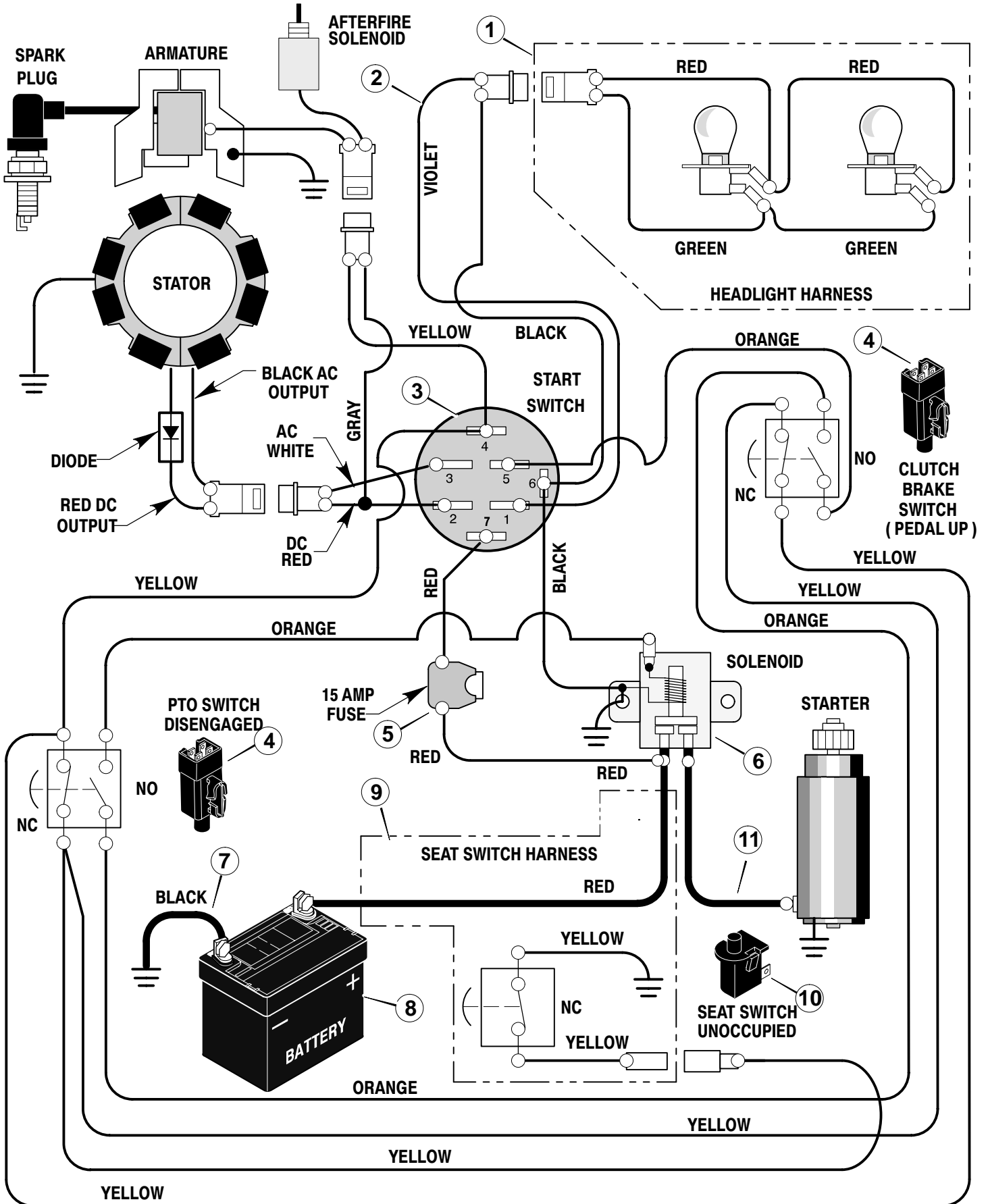
MODEL 405600x50A

REPAIR PARTS ENGINE MOUNT

| Key No. | Description | Part No. |
|---------|--------------------------------------|-------------|
| 1 | Fuel Cap | 092317 |
| 2 | Fuel Tank | 690263 |
| 3 | Hose Clamp ** | 095197 |
| 4 | Fuel Line)Must be cut to length) ** | 023717 |
| 5 | Hose Clamp | 095197 |
| 6 | Screw | 26x201 |
| 7 | Plate, Engine | 094006E700 |
| 8 | Throttle Control | 092371 |
| 9 | Engine | _____ |
| 10 | Bolt, Engine Mount | 0025x7 |
| 11 | Stack Pulley Assembly | 690439 Z |
| 12 | Lockwasher | 019x35 |
| 13 | Bolt, Hex | 01x140 |
| 14 | Washer | 17x170 |
| 15 | Screw | 26x249 |
| 21 | Guide, Belt | 094384 |
| 22 | Nut, Flange | 015x79 Z |
| 23 | Guide, Belt | 094384 |
| 30 | Shield, Heat | 1001461E701 |
| 31 | Muffler | 1001432 |
| 32 | Gasket | 091309 |
| 33 | Screw | 06x103 |
| 34 | Washer | 018x15 |
| 35 | Screw | 026x263 |

MODEL 405600x50A

REPAIR PARTS ELECTRICAL SYSTEM



MODEL 405600x50A

REPAIR PARTS ELECTRICAL SYSTEM

| Key No. | Description | Part No. |
|---------|---------------------------|----------|
| 1 | Harness, Light Wire | 250x92 |
| | Socket, Light | 092372 |
| | Bulb, Light | 090084 |
| 2 | Harness, Chassis Wire | 250x87 |
| 3 | Switch, Ignition | 092556 |
| | Key, Ignition | 020729 |
| | Nut, Hex | 091489 |
| | Cap, Ignition | 091488 |
| 4 | Switch, Limit | 094136 |
| 5 | Fuse | 054212 |
| | Holder, Fuse | 407078 |
| 6 | Solenoid | 94613 |
| | Screw, Mounting | 26x229 |
| | Locknut | 15x116 |
| 7 | Cable, Battery Ground | 24x32 |
| | Screw, Ground Cable | 26x213 |
| 8 | Battery | 021075 |
| | Bolt, Carriage | 02x82 |
| | Wingnut | 014x79 |
| | Bolt, Battery -Positive | 6906204 |
| 9 | Harness, Seat Switch Wire | 250x67 |
| 10 | Switch, Seat Sensor | 094159 |
| 11 | Cable | 024x31 |

| Description (Location) | Part No. | Qty. |
|--|-----------------|-------------|
| Cut Finger (Mower Deck –Right Side) | 44x5430 | 1 |
| Sentinel 15.5 HP 40" (Hood –Side) | 48x1097 | 1 |
| Sentinel 15.5 HP 40" (Hood –Side) | 48x1098 | 1 |
| Warning Symbols (Center Console) | 44x6815 | 1 |
| 1–7 Height Adjust–Lift | 44x7026 | 1 |
| No Step (Mower Deck –Left Side) | 44x5429 | 1 |
| Sentinel (Seat Deck –Rear Center) | 48x782 | 1 |
| Deck Level Position –ONLY (Seat Deck –Left Side) | 44x7027 | 1 |
| Brake/Parking Brake (Footrest –Left) | 44x5437 | 1 |
| DANKA | 44x7197 | 1 |
| SENTINEL Logo | 48x861 | 1 |
| Auto Drive (Console –Top Right) | 44x6675 | 1 |
| Dump Valve (Seat Deck – Top Left) | 44x6962 | 1 |
| Warning, Heat Shield | 44x5936 | 1 |
| TUV & GS | 44x2929 | 1 |
| Auto Drive | 44x6945 | 1 |
| Auto Drive | 44x6944 | 1 |
| Drawbar | 48x511 | |
| Briggs Logo | 44x6277 | |
| Warning, Pinch Point | 44x6828 | |
| | | |
| | | |