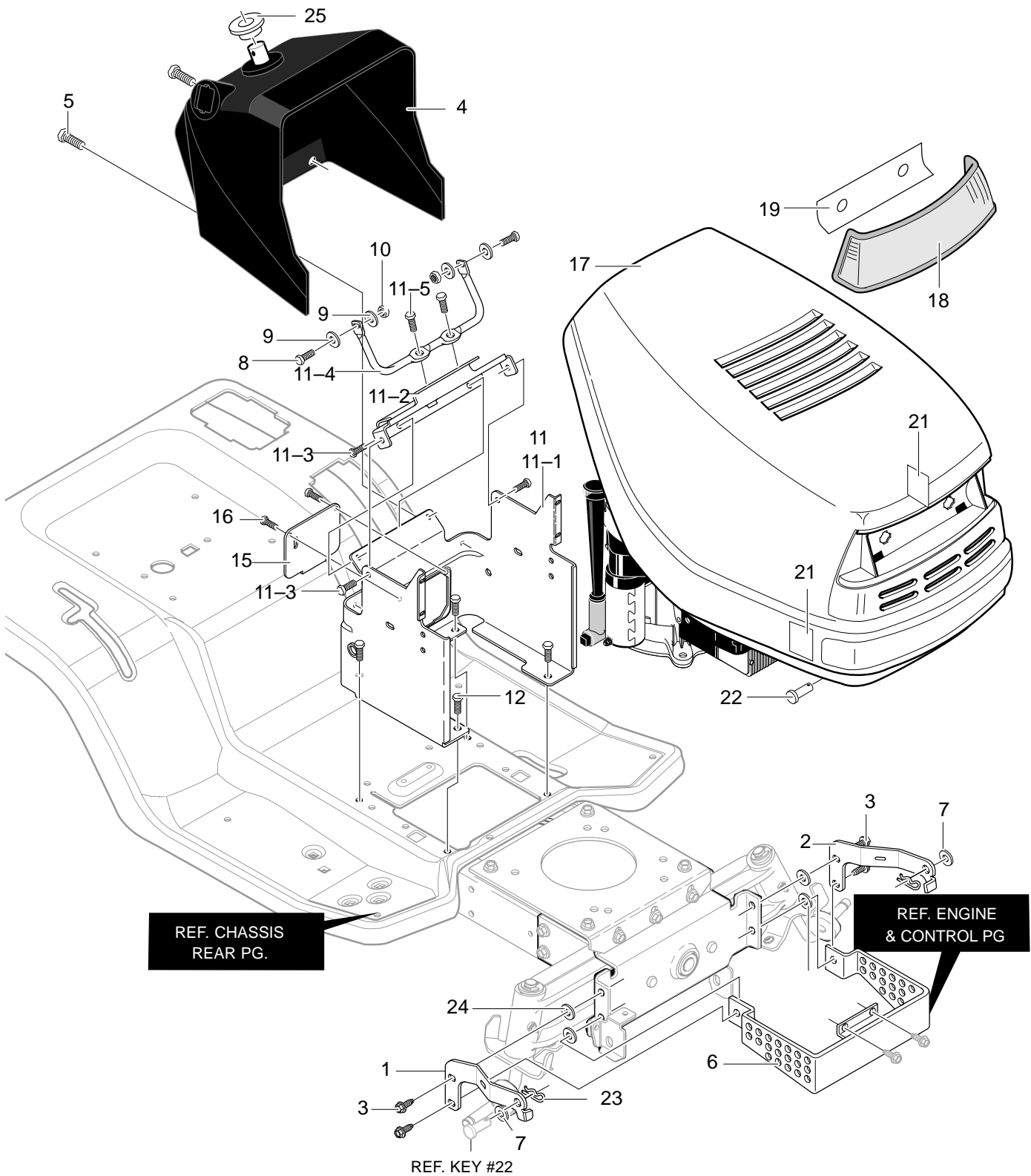


# MODEL 40370x50C

# REPAIR PARTS CHASSIS & HOOD ASSEMBLY



344695A

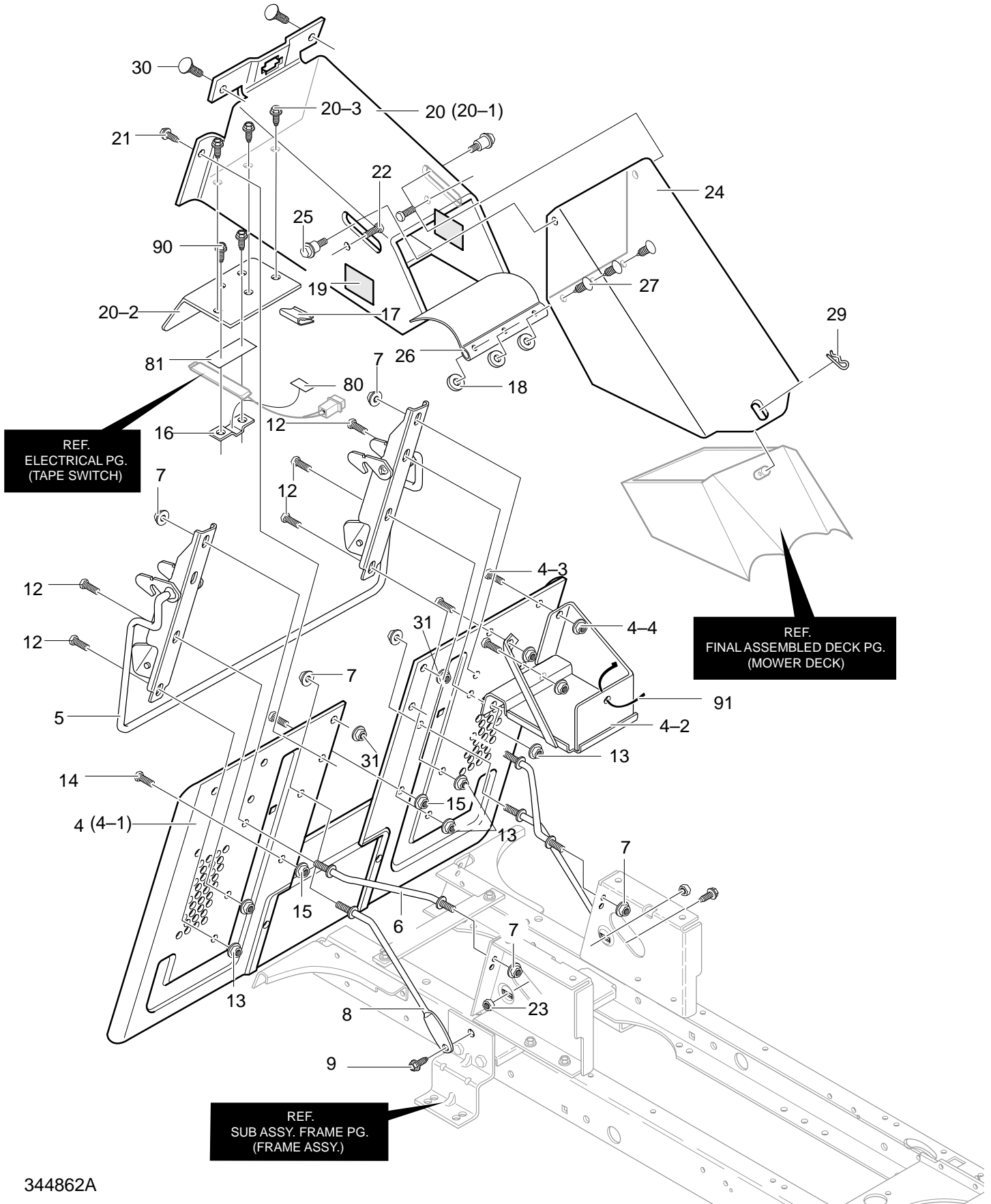
# MODEL 40370x50C

# REPAIR PARTS CHASSIS & HOOD ASSEMBLY

<b>Key No.</b>	<b>Description</b>	<b>Part No.</b>	<b>Key No.</b>	<b>Description</b>	<b>Part No.</b>
1	Bracket, Hood RH	95413-821	11-4	Rod, Dash Brace	95406
2	Bracket, Hood LH	95414-821	11-5	Screw, 1/4-20x.50	710264
3	Screw, 5/16-18x.75	711606	12	Screw, 10-24x.50	711606
4	Dash	690630	15	Panel, Access	95270-860
5	Screw, 1/4-14x.75	711762	16	Screw, 10-24x.50	711629
6	Heat Shield Guard	95195-821	17	Hood	94984
7	Washer, Flat Insulate	712480	18	Lens, Headlamp	302670
8	Screw, 1/4-20x.75	302628	19	Foil, Lens	308492
9	Washer, Flat .286x.63x.065	71067	21	Foil, Heat Reflector	301452
10	Nut, 1/4-20 Reghexctrlk	73826	22	Pin, Clevis	711856
11	Assembly, Lower Console	341569-860	23	Hair Pin	711682
11-1	Tower, Lower Dash	95425	24	Washer, Flat Insulate	712480
11-2	Support, Steering	95426	25	Bushing, Steering Shaft	95404
11-3	Screw, 1/4-20x.50	710264	—	Instruction Book & Parts List	F-010727J

# MODEL 40370x50C

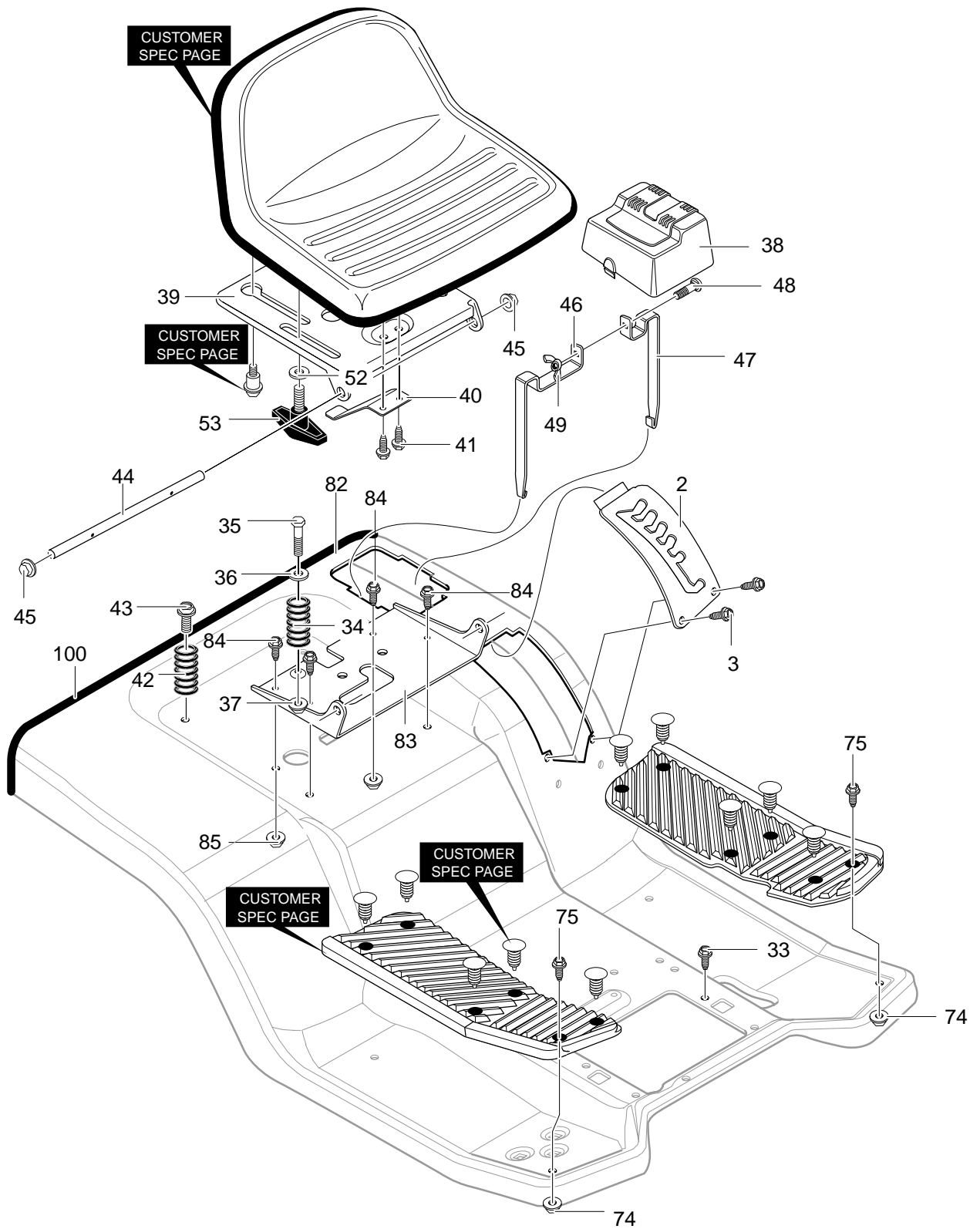
# REPAIR PARTS REAR CHASSIS ASSEMBLY



# MODEL 40370x50C

# REPAIR PARTS REAR CHASSIS ASSEMBLY

Key No.	Description	Part No.	Key No.	Description	Part No.
4	Assy., Back Plate/Battery	1001068-821	20-1	Chute Weld Asm. Upper	94350
4-1	Assy. Back Plate Flat	95162	20-2	Shield, Transaxle	95367
4-2	Battery Tray Assembly	94563	20-3	Screw, 1/4-20x.63	711642
4-3	Screw, 5/16-18x.50	180073	21	Screw, 5/16-18x.75	711606
4-4	Nut, 5/16-18 Hexwdfllk Whiz	45174	22	Bolt, Carriage 5/16-18x.75	340720
5	Weldment-Latch Lever	95359-821	23	Nut, 5/16-18	710026
6	Rod, Brace	690097	24	Middle Chute Assembly	94296-821
7	Nut, 3/8-16 Hwdfl Whiz-lock	711906	25	Shoulder Bolt	710440
8	Rod, Brace	94231	26	Flap, Chute	94264
9	Screw, 5/16-18x.75	711606	27	Fastener, Ratchet	309235
12	Screw, 5/16-18x.75	9357	28	Flatwasher	711617
13	Nut, 5/16-18 Hexwdfllk Whiz	710026	29	Pin, Hair	711682
14	Screw, 5/16-18x.75	711606	30	Bolt, Carriage 5/16-18x.75	340720
15	Nut, 5/16-18 Hexwdfllk Whiz	710026	31	Nut, 5/16-18	710026
16	Bracket, Flex Switch Mounting	690245	80	Tape, Double Sided Foam 3/4"	712009
17	Wire Clip, Adhesive	55939	81	Tape, Double Sided Foam 3/4"	712009
18	Flatwasher	711666	90	Screw, 1/4-20x.63	711642
19	Pad, Adhesive	318197	91	Cable Tie	57444
20	Asm., T/A Shield & Upper Chute	690102-821			



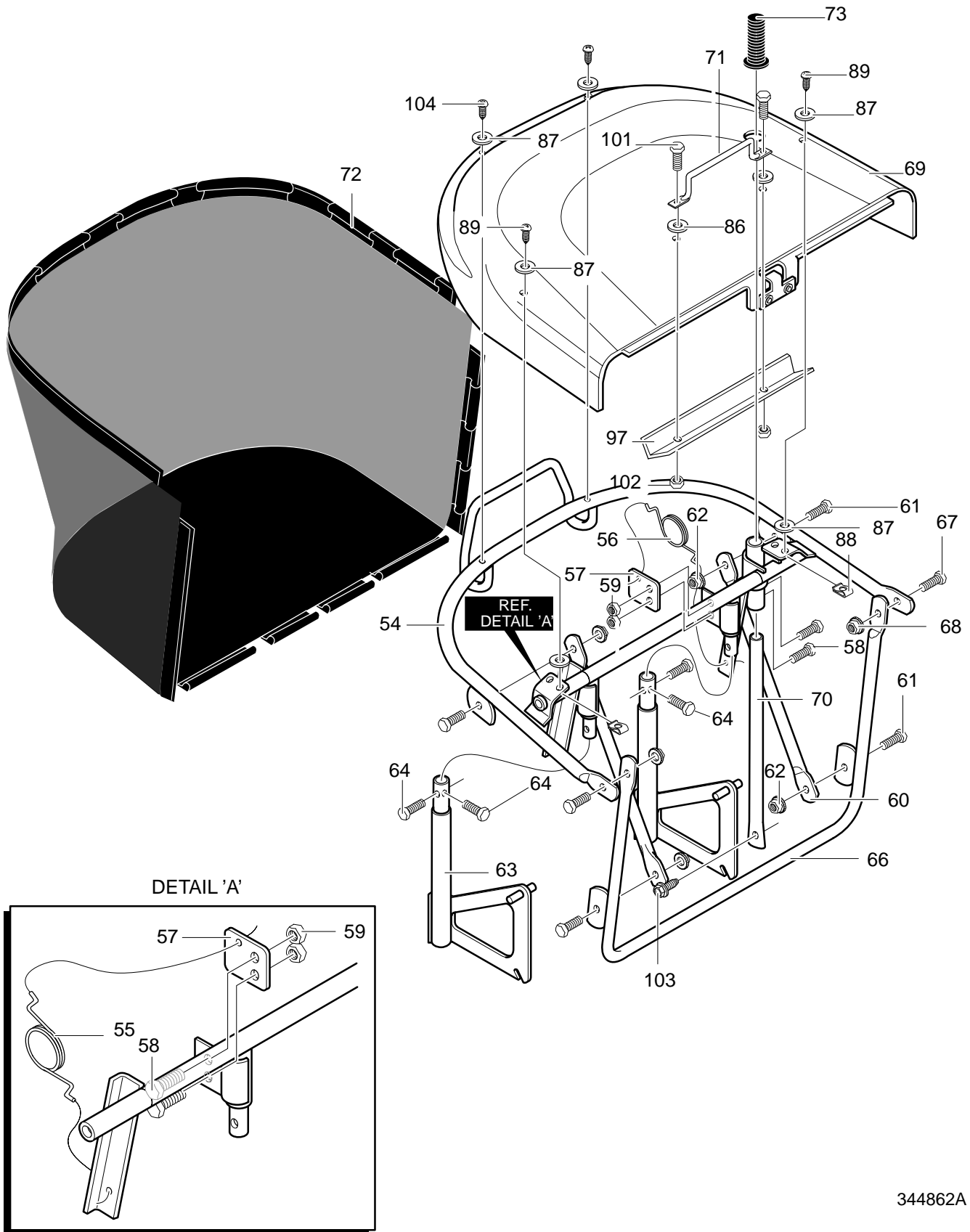
# MODEL 40370x50C

# REPAIR PARTS REAR CHASSIS ASSEMBLY

Key No.	Description	Part No.	Key No.	Description	Part No.
2	Plate, Lift Detent	95190-821	45	Nut, Push Cap	711627
3	Screw, #12x.50	711741	46	Battery Bracket, LH	95393-821
33	Screw, 5/16-18x.75	711606	47	Battery Bracket, RH	95394-821
34	Spring, Compression	710136-821	48	Bolt, Carriage 1/4-20x.63	711680
35	Shoulder Bolt 1/4-20	711610	49	Nut, Wing 1/4-20	711636
36	Zinc Washer Cup	95293	52	Washer, Flat	711644
37	Nut, 1/4-20 Centerlock	302635	53	Bolt, Wing 5/16-18x.50	711747
38	Cover, Battery	94200	74	Nut, 5/16-18	710026
39	Support, Seat	94154-860	75	Bolt, Carriage 5/16-18x.75	711891
40	Spring-Leaf	94057	82	Seat Deck Pedal Hydro	94311-860
41	Screw, 1/4-20x.50	711592	83	Bracket, Pivot Seat	94153-860
42	Spring, Compression	710109-821	84	Screw, 5/16-18x.75	711606
43	Screw, 5/16-18x.75	711606	85	Nut, 5/16-18	711634
44	Hinge Seat Pivot	95294	100	Trim 41.00 Inches	95105

# MODEL 40370x50C

# REPAIR PARTS GRASS BAGGER ASSEMBLY



344862A

# MODEL 40370x50C

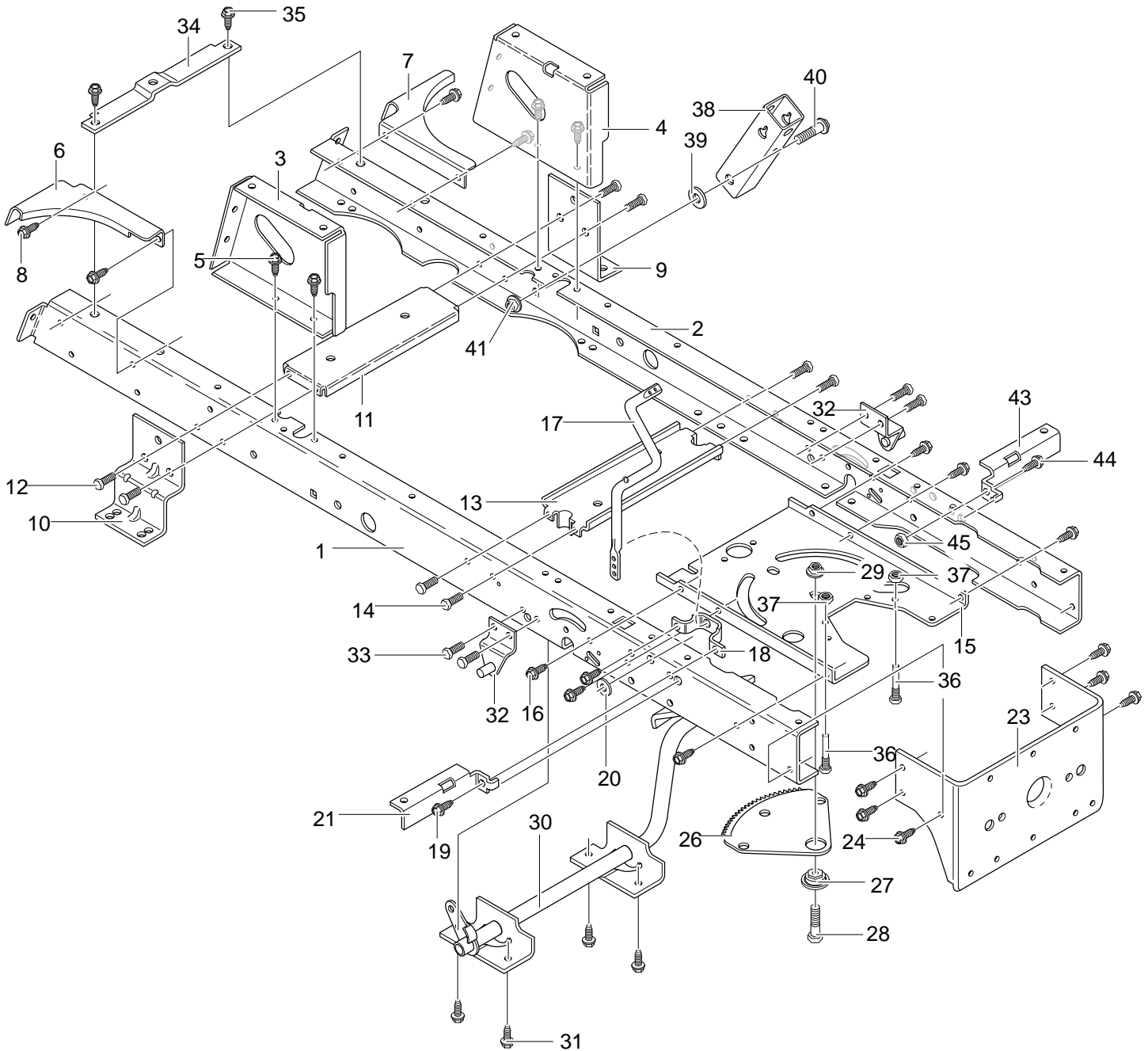
# REPAIR PARTS GRASS BAGGER ASSEMBLY

<b>Key No.</b>	<b>Description</b>	<b>Part No.</b>	<b>Key No.</b>	<b>Description</b>	<b>Part No.</b>
54	Asm. Weld Upper Frame	690044-821	69	Top Collector Assembly	94908-860
55	Spring, Torsion RH	690003	70	Handle, Dump Collector	690019
56	Spring, Torsion LH	690004	71	Handle, Reba Collector	690506-821
57	Bracket, Spring Collector	95339-821	72	Reba Collector Bag	95389
58	Screw, 1/4-20x.62	711905	73	Rubber Grip	94854
59	Nut, 1/4-20	303008	86	Washer	712129
60	Brace, Frame Collector	94850-821	87	Washer	711921
61	Screw, 1/4-20x.62	711909	88	Nut, 1/4-20 Tinnerman	578107
62	Nut, 1/4-20	303008	89	Screw, 1/4-20x.63	711674
63	Weld Asm. Support Collector	95343-821	97	Brace, Bagger	690010-821
64	Screw, 1/4-20x1.50	711653	101	Screw, 1/4-20x1.50	712068
66	Weld Asm. Front Frame Collect	95349-821	102	Nut, 1/4-20	711632
67	Screw, 1/4-20x.62	711909	103	Screw, #12x.50	711741
68	Nut, 1/4-20	711632	104	Screw, #12x.50	711741



# MODEL 40370x50C

# REPAIR PARTS FRAME ASSEMBLY

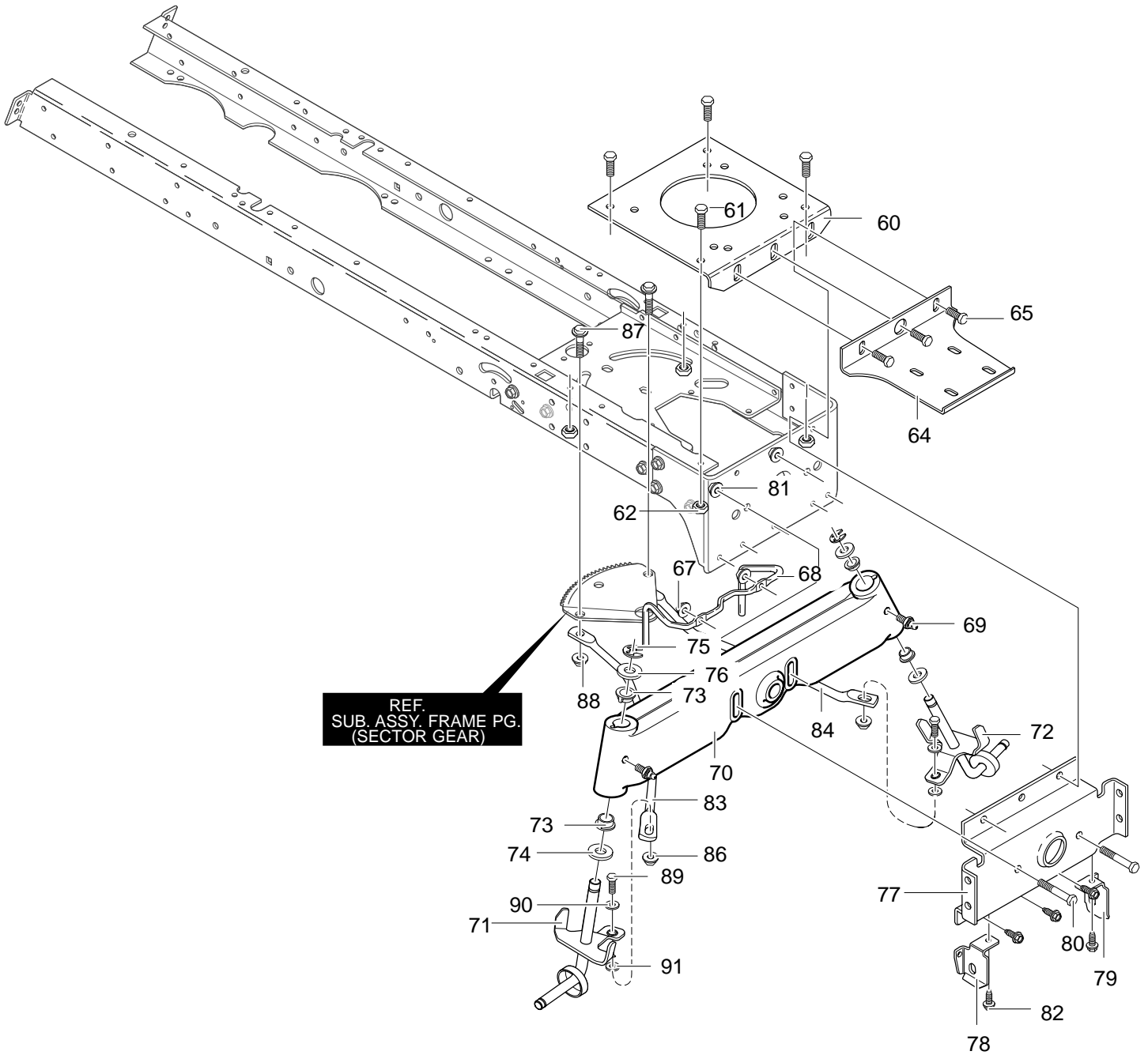


343741A

# MODEL 40370x50C

# REPAIR PARTS FRAME ASSEMBLY

Key No.	Description	Part No.	Key No.	Description	Part No.
1	Frame, Rail RH	94564	23	Bracket, Hanger Rear	94013
2	Frame, Rail LH	94565	24	Screw, .312-18x.75	26X249
3	Support, Seat RH	94634	26	Gear, Sector	94121
4	Support, Seat LH	94633	27	Bearing, Sector Gear	94123
5	Screw, .312-18x.75	26X249	28	Screw, 5/16-18x1.00	001X84
6	Brace, BackPlate RH	94561	29	Nut, 5/16-18	15X113
7	Brace, BackPlate LH	94562	30	Clutch/Brake Pedal	690033
8	Screw, 5.312-18x.75	26X249	31	Screw, .312-18x.75	26X249
9	Bracket, Transaxle	94008	32	Bracket, Suspension Asm.	94285
10	Bracket, T/A RH-VST LH-MS	94234	33	Screw, .312-18x.75	26X249
11	Asm. Idler Mount, Rear	94236	34	Brace, Rail	94566
12	Screw, .312-18x.75	26X249	35	Screw, .312-18x.75	26X249
13	Assy., Idler Mount, Front	94237	36	Zinc Screw Guide	93349
14	Screw, .312-18x.75	26X249	37	Nut, 5/16-18	015X79
15	Plate, Steering	690551	38	Bracket, Pivot	94015
16	Screw, .312-18x.75	26X249	39	Washer, Flat	845
17	Crank, PTO	690394	40	Bolt, Shoulder 3/8-16	009X53
18	Bracket, Bell Crank	94005	41	Nut, 3/8-16	015X84
19	Screw, .312-18x.75	26X249	43	Bracket, Seat Deck LH	690036
20	Washer, Flat	120395	44	Screw, .312-18x.75	26x249
21	Bracket, Seat Deck RH	690035	45	Nut, .32-18 Flangelock	015x79



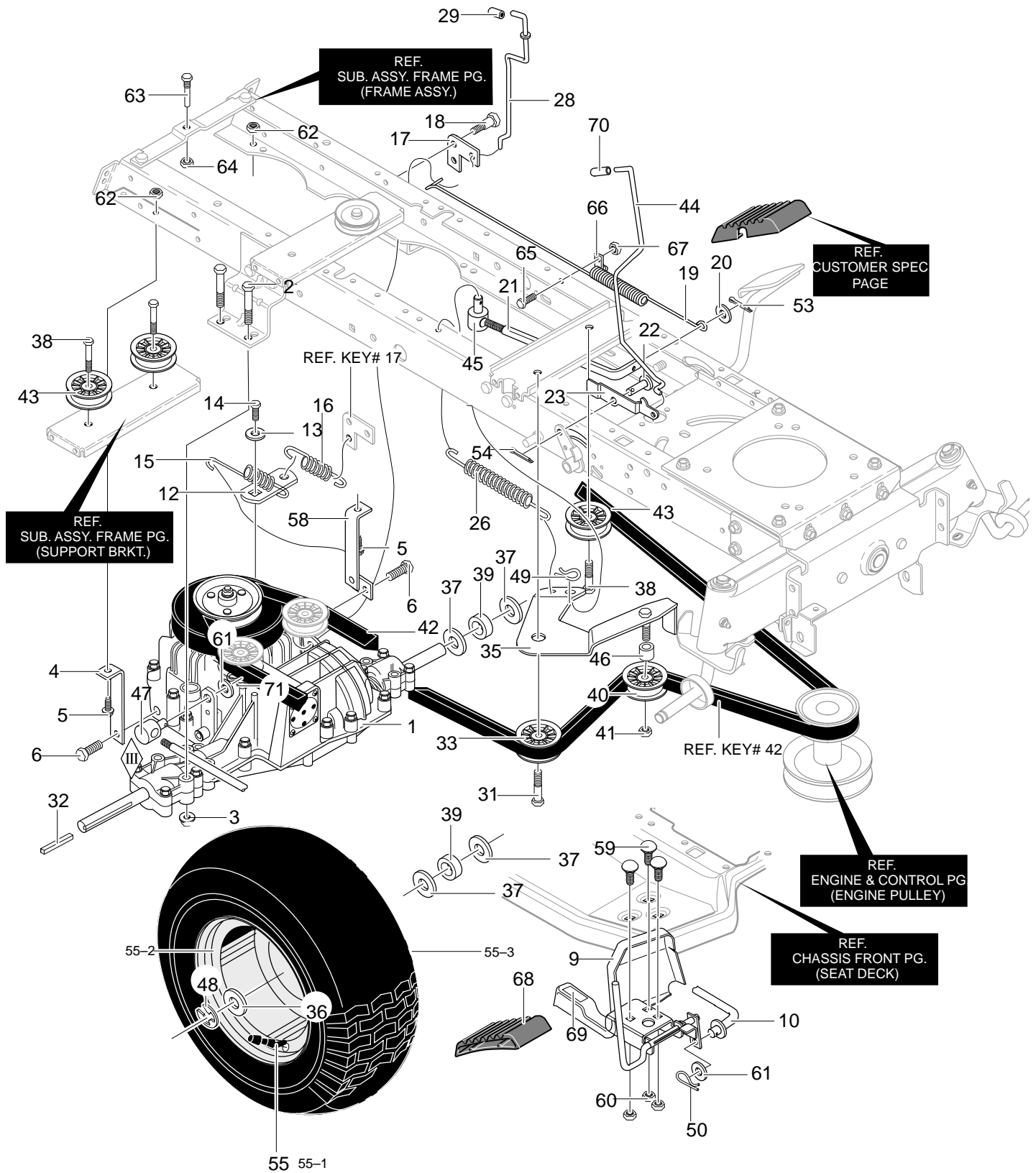
# MODEL 40370x50C

# REPAIR PARTS FRAME ASSEMBLY

<b>Key No.</b>	<b>Description</b>	<b>Part No.</b>	<b>Key No.</b>	<b>Description</b>	<b>Part No.</b>
60	Engine Plate	94006	77	Hanger, Axle	94007
61	Screw, .312-18x.75	26X249	78	Hanger, Deck RH	690199
62	Nut, 5/16-18	015X88	79	Hanger, Deck LH	690198
64	Bracket, Muffler Mount	94306	80	Screw, 5/16-18x3.00	180113
65	Screw, .312-18x.75	26X249	81	Nut, 5/16-18	015X88
67	Nut, 5/16-18	45174	82	Screw, .312-18x.75	26X249
68	Guide-Stack Pulley Belt	94310	83	Drag Link, RH	95328
69	Zerk, Grease	706	84	Drag Link, LH	95329
70	Axle, Cast Machined	95405	86	Nut, 3/8-16	015X84
71	Spindle, Long RH	95182	87	Shoulder Bolt	9X57
72	Spindle, Long LH	95183	88	Nut, 3/8-16	015X84
73	Bearing, Spindle	92527	89	Screw, 3/8-16x1.50	01X111
74	Washer, .766IDx1.62ID	17X113	90	Flatwasher	17X104
75	E-Ring	0011X3	91	Flatwasher	017X53
76	Washer, Flat	17X195			

# MODEL 40370x50C

# REPAIR PARTS MOTION DRIVE



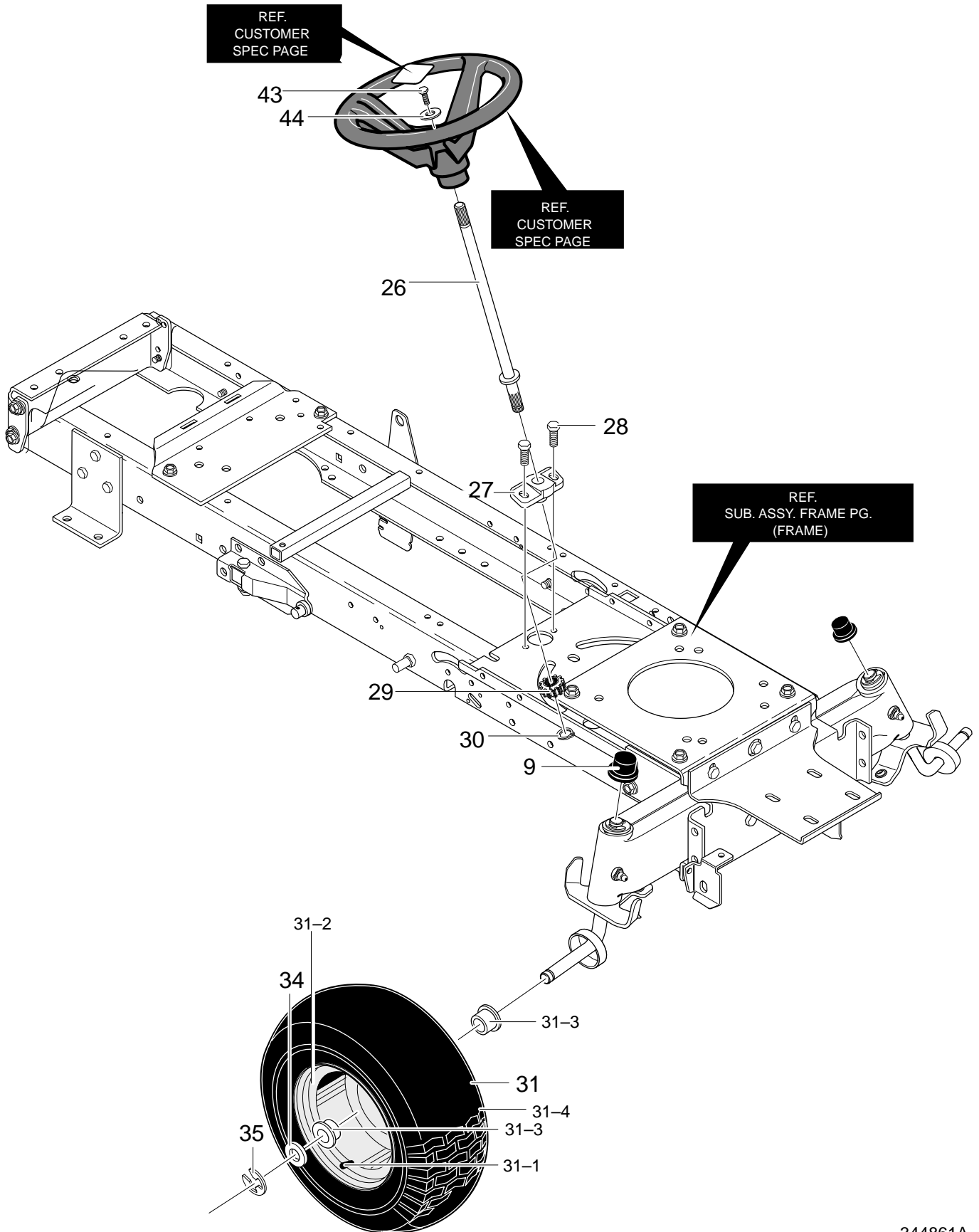
# MODEL 40370x50C

# REPAIR PARTS MOTION DRIVE

Key No.	Description	Part No.	Key No.	Description	Part No.
1	Transaxle, VST205	*	41	Nut, 3/8–16	711920
2	Screw, 5/16–18X2.50	711669	42	Belt, V 4L 112.75	94609
3	Nut, 5/16–18	711634	43	Pulley, Idler	1001065
4	Bracket, Stabilizer Hydro	94224–821	44	Park Brake Rod	690046
5	Screw, 5/16–18x1.00	711893	45	Nut, 5/16–18 Adjusting	711898
6	Screw, 5/16–18x.75	710268	46	Spacer	690369
9	Pedal Assy. Hydro	690134–821	47	Adjust Nut 1/2–13	711594
10	Rod, Foot Control	690018	48	E–Ring	710103
12	Bracket, Shift	323212	49	Pin, Hair	711659
13	Washer, Transaxle	711895	50	Pin, Hair	711676
14	Screw, 1/4–28x.750	710345	53	Pin, Cotter	71081
15	Spring, Transaxle Disconnect	94622	54	Pin, Cotter	71081
16	Spring	326780	55	Tire & Rim	692511
17	Bracket, Disconnect Lever	94621–821	55–1	Valve Stem	338512
18	Bolt, HSH 5/16–18	711896	55–2	Rim	338524
19	Spring, Brake	95424	55–3	Tire	338525
20	Washer, Flat	711921	58	Bracket, Stabilizer Assy.	94225–821
21	Rod, Clutch	690016	59	Bolt, 5/16–18x.75 Carr.	711688
22	Pin, Clevis	711903	60	Nut, 5/16–18 Hexwdfllk Whiz	710026
23	Latch, Park Brake	95290	61	Flatwasher	711894
26	Spring, Tension	711522	62	Nut, 1/4–20	710026
28	Rod, Disconnect	690015	63	Screw Guide	711745
29	Grip, Hydro Disconnect	690032	64	Nut, 5/16–18 Hexwdfllk	710026
31	Screw, 3/8–16x1.25	711905	65	Screw, 1/4–20x.50	313686
32	Key, Square	52928	66	Retainer, Wire	711742
33	Pulley, Idler	1001065	67	Nut, 1/4–20 Wdfllwhiz–lk	780285
35	Assy, Idler Arm Traction	94238–821	68	Pad, Speed Control Pedal	94516
36	Washer, Flat	711758	69	Pad, Toe Sandpaper	93249
37	Washer, Flat	711904	70	Cap, Dump Valve Rod	335980
38	Screw, 3/8–16x1.25	711905	71	Hair Pin	711682
39	Spacer	95274		Hubcap	94618
40	Pulley, Idler	690409			

\* Contact your nearest transaxle dealer for parts and service.

For information on Replacement Parts see the Central Parts Distributor in your area.

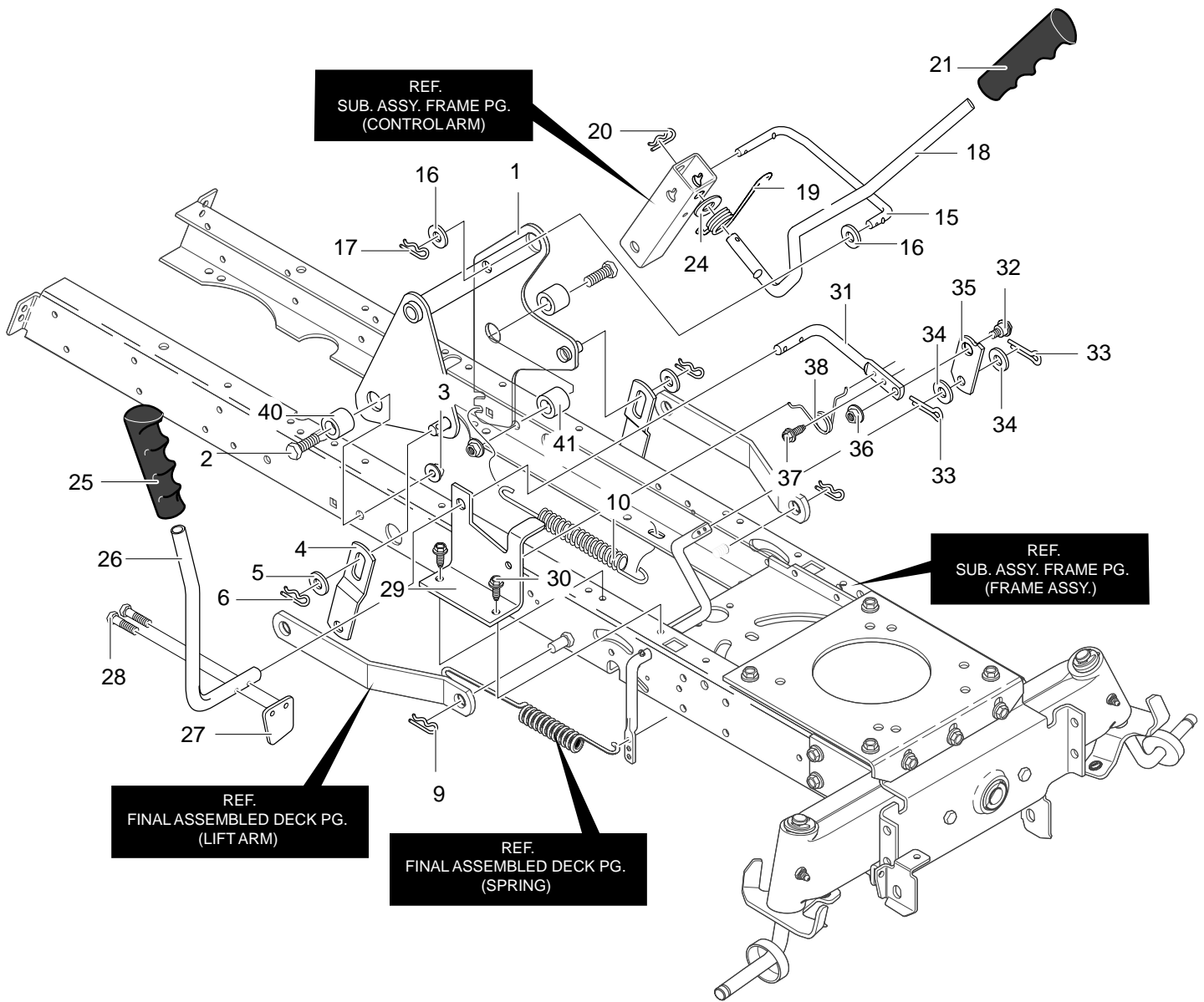


# MODEL 40370x50C

# REPAIR PARTS STEERING

Key No.	Description	Part No.
9	Dust Hub Cap	094618
26	Shaft, Steering	94520
27	Bearing-Lower	94124
28	Screw, 5/16-18x.75	711606
29	Gear, Pinion	94122
30	Retaining Ring	710102
31	Tire & Rim	692641
31-1	Valve Stem	338512
31-2	Rim	338517
31-3	Bearing	338513
31-4	Tire	338514
34	Flatwasher	711758
35	E-Ring	710103
43	Screw, 1/4-20x.75	711719
44	Flatwasher	711663
	Hub Cap	094618

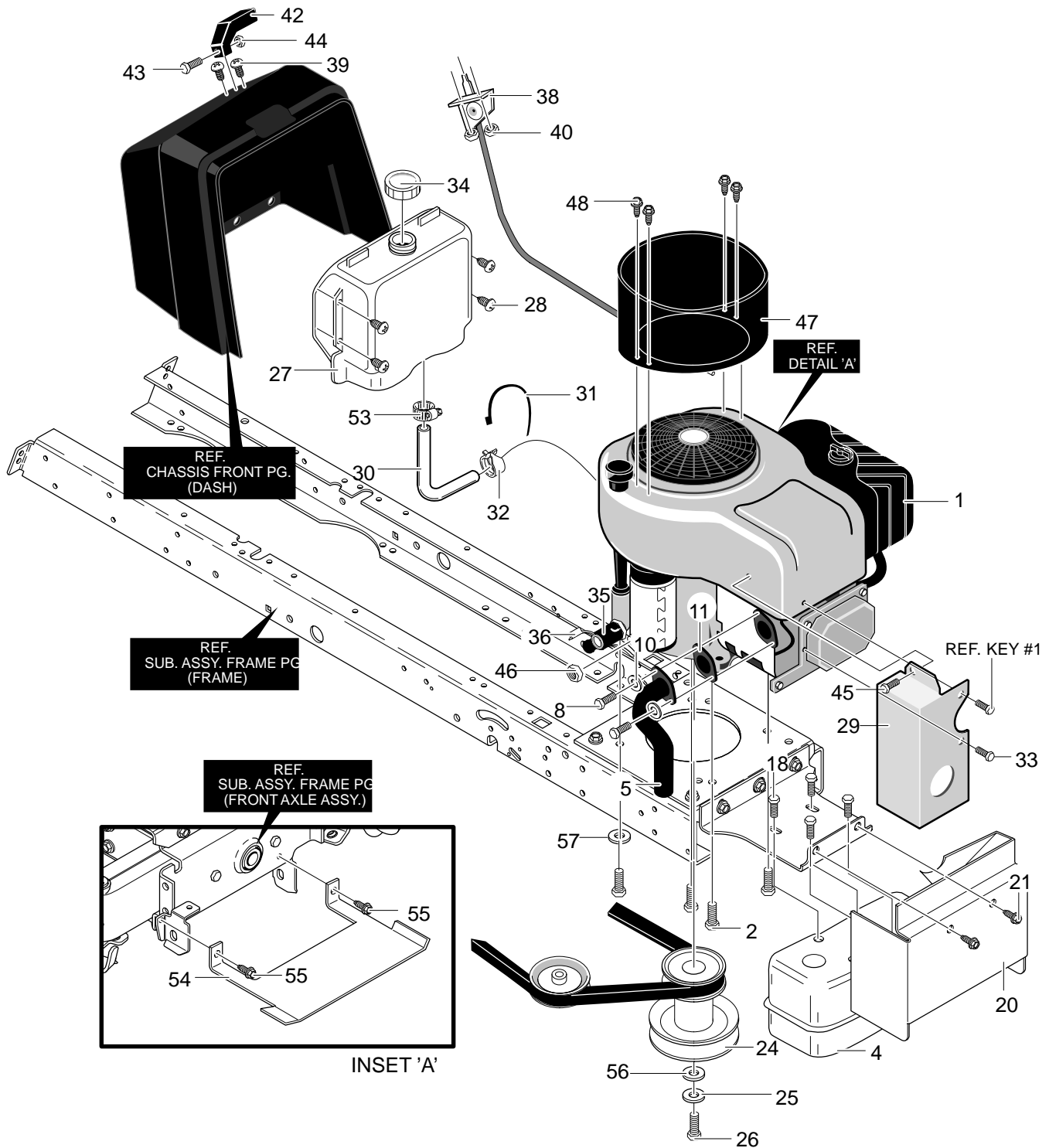




# MODEL 40370x50C

# REPAIR PARTS MOWER SUSPENSION ASSEMBLY

Key No.	Description	Part No.	Key No.	Description	Part No.
1	Assembly, Lift Arm	95233-821	25	Grip	94505
2	Screw, 1/2-13x1.50	711917	26	PTO Handle	690126
3	Nut, 1/2-13 Lock	711918	27	Paddle, Switch	95284
4	Bracket, Lift Link	94262-821	28	Screw, Thread Form	711621
5	Washer, Flat	711617	29	Bracket, PTO	94018-821
6	Hair Pin	711676	30	Screw, 5/16-18x.50	780055
9	Hair Pin	711676	31	Lever, PTO	95283
10	Spring, Extension	710235	32	Bolt, Shoulder 3/8-16	711613
15	Link-Lift Handle	711981	33	Hair Pin	711659
16	Washer, Flat	711617	34	Washer, Flat	711615
17	Hair Pin	711676	35	Link PTO	95282
18	Handle, Lift	690532	36	Nut, 3/8-16	711622
19	Torsion Spring	710111	37	Screw 5/16-18x.75	711606
20	Hair Pin	711676	38	Torsion Spring	710141
21	Grip, Lift	94506	40	Spacer	94309
24	Washer, Flat	711616	41	Spacer, Sleeve	56150



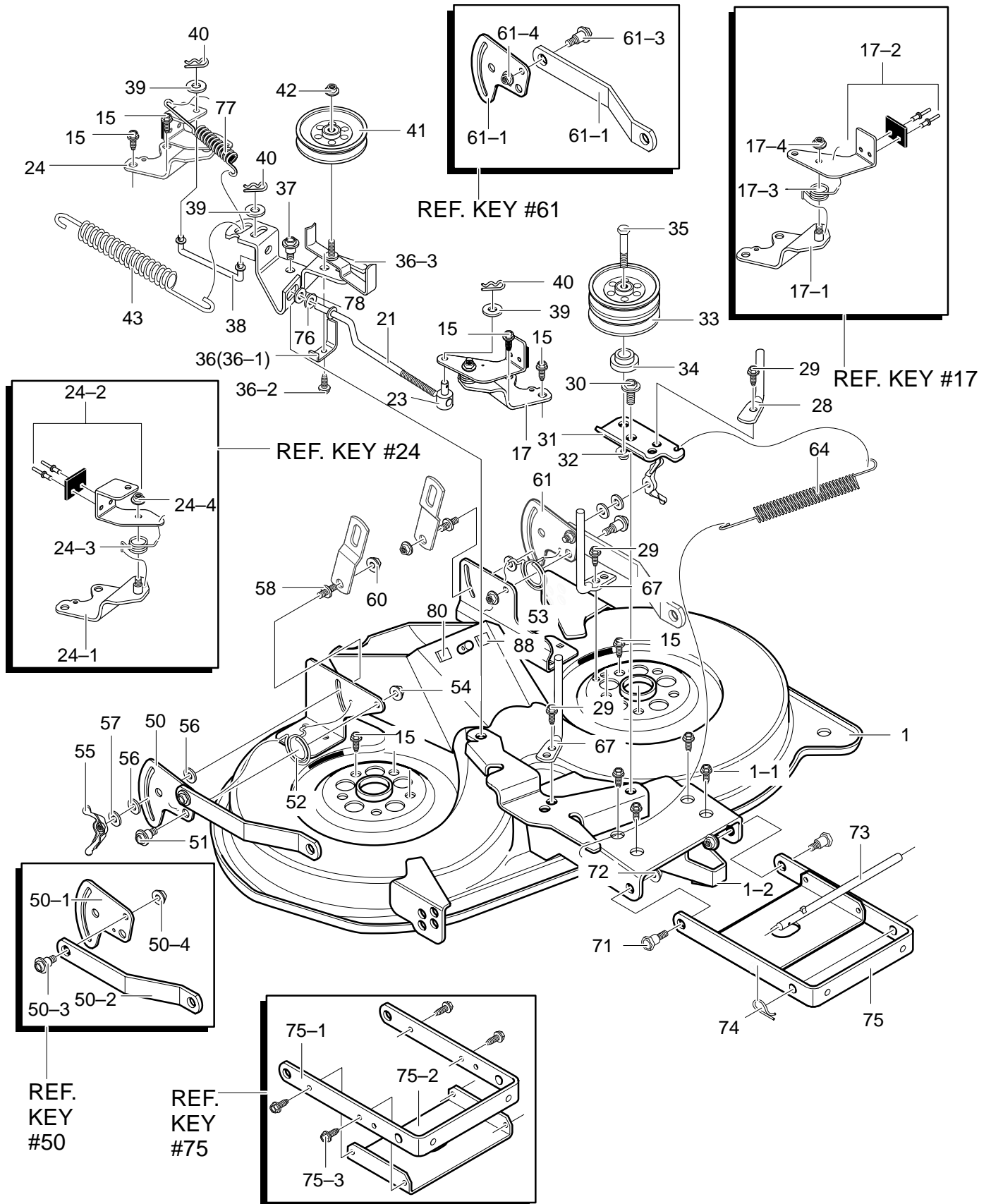
# MODEL 40370x50C

# REPAIR PARTS ENGINE AND CONTROL ASSEMBLY

Key No.	Description	Part No.	Key No.	Description	Part No.
1	17HP (See Engine Manual)	Engine	33	Screw, 1/4–20x.50	711592
—	Clip, Speed	94951	34	Gas Cap, 2.0 Throat	690615
2	Screw, 3/8–16x1.25	710199	35	Oil Drain Valve Assembly	325547
4	Muffler, Single Cyclinder	94654	36	Cap, Oil Drain Valve	327422
5	Exhaust Tube	94657	38	Throttle Control	95370
8	Screw, 5/16–18x.75	313676	39	Screw, 10–24x.63	711755
10	Washer, Hvsptlk	313679	40	Nut, #10–24	711754
11	Gasket, Muffler	91309	42	Knob, Throttle Control	94931
18	Screw, 1/4–20x.63	711642	43	Screw, #8–32	711750
20	Heat Shield, Lower	95439–821	44	Nut, #8–32	711748
21	Screw, 5/16–18x.75	711606	45	Screw, 10–16x.50 Drilltite	711593
24	Stack Pulley	690456	46	Nut, 1/4–20	711601
25	Washer, Regsptlk	120383	47	Plenum	690059
26	Screw, 7/16–20	1X169	48	Screw	711593
27	Tank, Fuel 2 Gal.	314991	53	Clamp, Hose Screw Type	47345
28	Screw, #12x.50	711741	54	Shield, Anti–Dehydration	95192–821
29	Heat Shield Side	333772–821	55	Screw, 5/16–18x.75	711606
30	Gas line 12 Inches	42258	56	Washer, Flat	710247
31	Cable Tie	57444	57	Washer, Exlk	711668
32	Clamp, Fuel Clamp	336890			

# MODEL 40370x50C

# REPAIR PARTS DECK ASSEMBLY



344276C

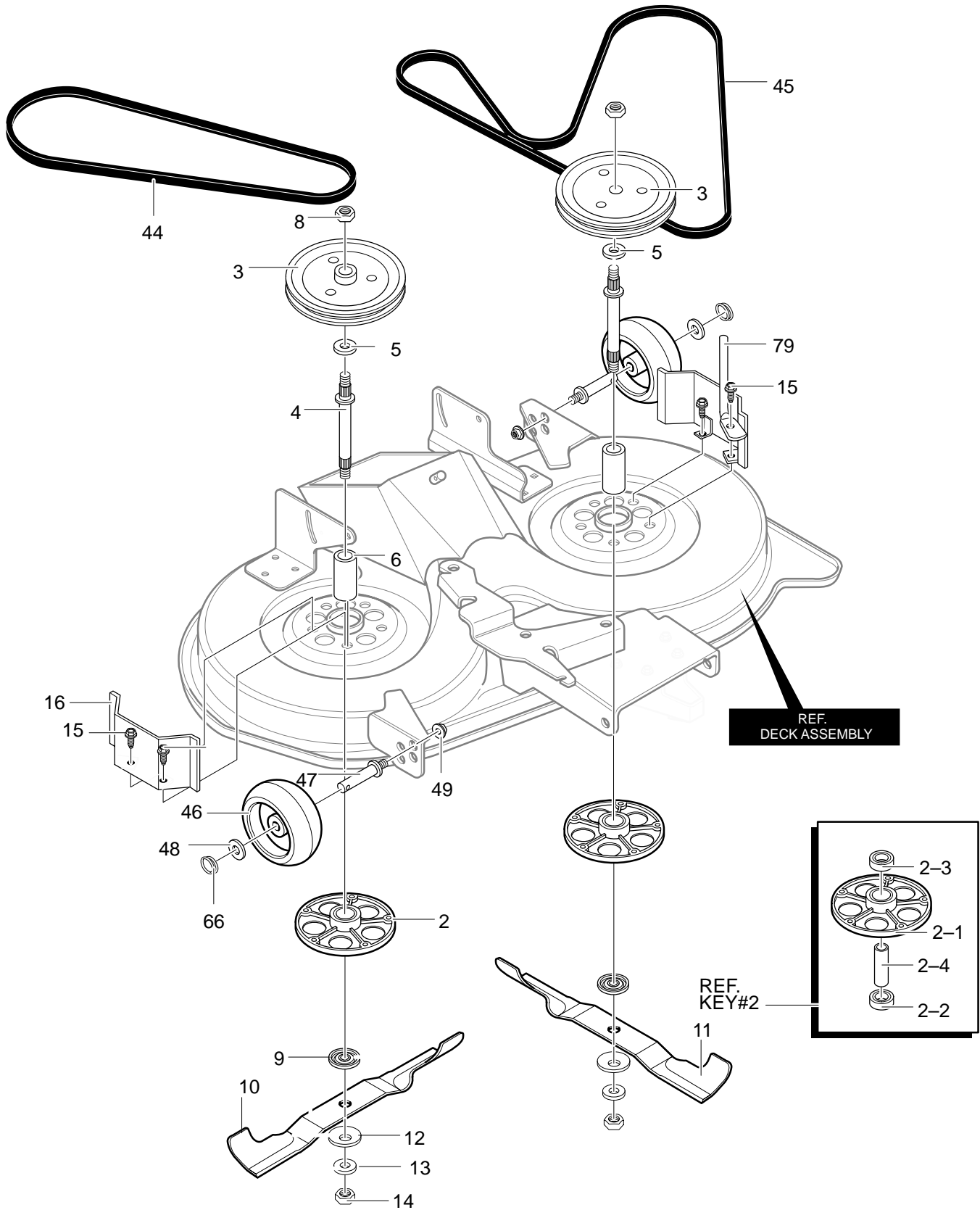
# MODEL 40370x50C

# REPAIR PARTS DECK ASSEMBLY

Key No.	Description	Part No.	Key No.	Description	Part No.
1	Housing, 40" Deck	690109-821	50	Assy, Plate,Rear Sus Bkt RH	690158-821
1-1	Screw , 5/1-618X.75	710079	50-1	Plate-Suspension	94128
1-2	Bracket, Center Strip	690031	50-2	Suspension Bracket Rear	94055
17	Brake Arm Assembly LH	94665-821	50-3	Bolt, Shoulder	710095
17-1	Brake Support Assembly LH	94293	50-4	Nut, 3/8-16	710140
17-2	Brake Arm	94291	51	Bolt, Shoulder	711611
17-3	Spring, Torsion	710110	52	Spring, Torsion RH	710112
17-4	Nut, 5/16-18	710205	53	Spring, Torsion LH	710113
21	Link, Brake LH	690021	54	Nut, 3/8-16	711622
23	Nut, Adjusting	711591	55	Wingnut, 5/16-18	711600
24	Brake Arm Assembly RH	94664-821	56	Pad, Friction	94137
24-1	Brake Support RH	94294	57	Washer	711628
24-2	Brake Arm RH	94292	58	Pin, Hanger	711595
24-3	Spring, Torsion	710077	60	Nut, 3/8-16	711622
24-4	Nut, 5/16-18	710205	61	Assy., Plate Rear Sus Brkt., LH	690159-821
28	Belt Guide	711912	61-1	Plate-Suspension	94128
29	Screw, 5/16-18x.50	780055	61-2	Suspension Bracket, Rear	94055
30	Bolt, Shoulder	711613	61-3	Bolt, Shoulder	710095
31	Arm, Double Idler	94261-821	61-4	Nut, 3/8-16	710140
32	Nut, 3/8-16	711622	64	Spring, Extension	710233
33	Pulley, Idler Double Vee	94279	67	Belt Guide	690030
34	Spacer	94269	71	Shoulder Bolt	711611
35	Screw, 3/8-16x3.00	711915	72	Nut, 3/8-16	711622
36	Idler Arm Assembly	94973-821	73	Rod, Hanger	95295
36-1	Spring,-Belt Guide	94312	74	Hair Pin	711676
36-2	Screw, 1/4-20x.50	710264	75	Assembly, Bracket & Stiffener	690058-821
36-3	Idler Arm	94298	75-1	Bracket, Front Suspension	94058
37	Bolt, Shoulder	711613	75-2	Stiffener	95057
38	Link, Brake RH	690023	75-3	Screw, 5/16-18x.75	710079
39	Washer, Flat	712480	76	Flatwasher	583409
40	Hair Pin	711682	77	Spring, Extension	710658
41	Pulley, Idler	690024	78	Washer, Flat	712480
42	Nut, 3/8-16	711622	80	Pad, Adhesive	318197
43	Spring, Extension	710234			

# MODEL 40370x50C

# REPAIR PARTS DECK ASSEMBLY

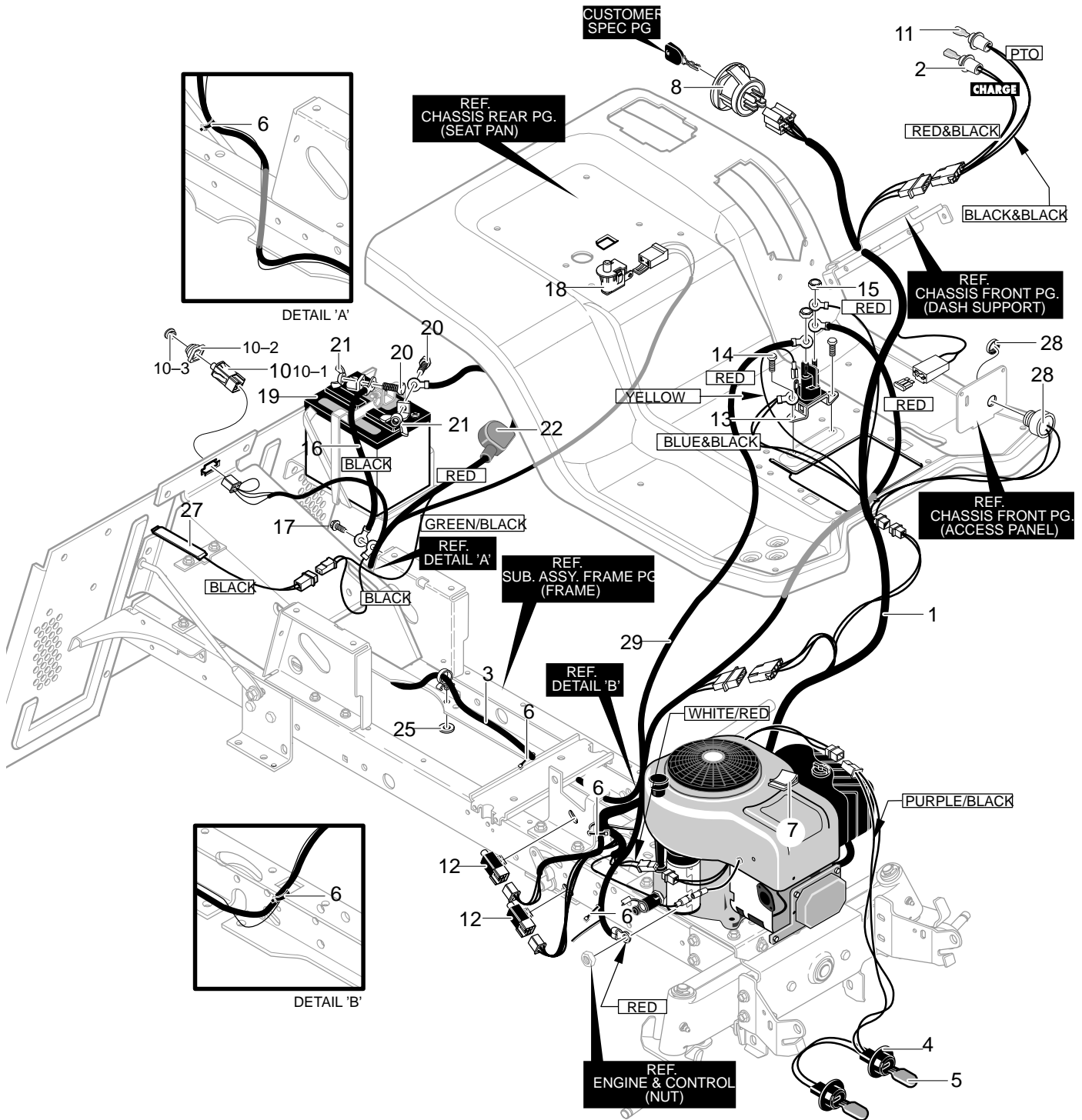


# MODEL 40370x50C

# REPAIR PARTS DECK ASSEMBLY

<b>Key No.</b>	<b>Description</b>	<b>Part No.</b>	<b>Key No.</b>	<b>Description</b>	<b>Part No.</b>
2	Assembly, Jackshaft Housing	94305	12	Washer, Bellville	710118
2-1	Housing, Jackshaft	94282	13	Flatwasher	710117
2-2	Bearing, Lower Jackshaft	92282	14	Nut, 9/16-18	711910
2-3	Bearing, Upper Jackshaft	92281	15	Screw, 3/8-16x1.00	711911
2-4	Spacer	90904	16	Pulley Cover	94288-821
3	Pulley, Deck	690020	44	Belt, V 46.5LG	710231
4	Jackshaft	91922	45	Belt, Deck	690071
5	Flatwasher	17x165	46	Gauge Wheel	92683
6	Spacer	91903	47	Shoulder Bolt	711746
8	Nut, 9/16-18	711910	48	Flatwasher	711615
9	Adapter, Deck	94207	49	Nut, 3/8-16	711622
10	Blade, LH	690499	66	Circle Pin	711764
11	Blade, RH	690500	79	Rod, Belt Guide	95280

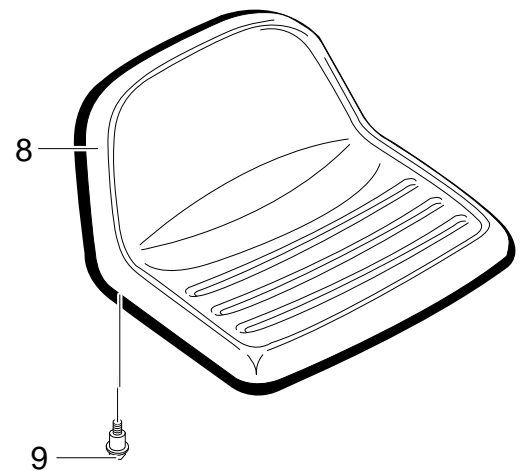
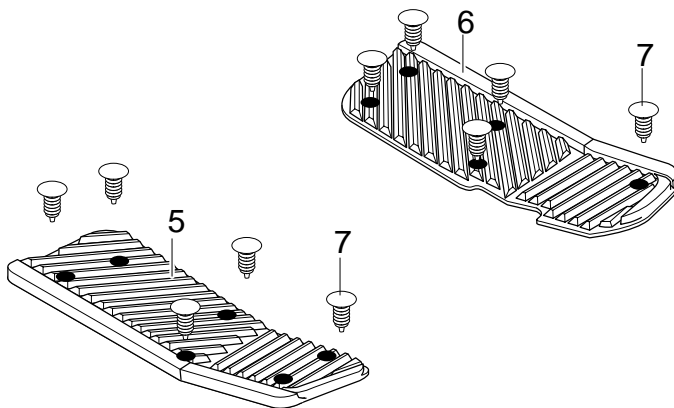
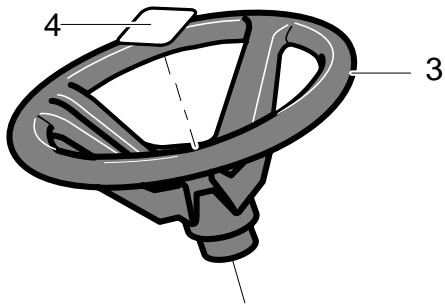
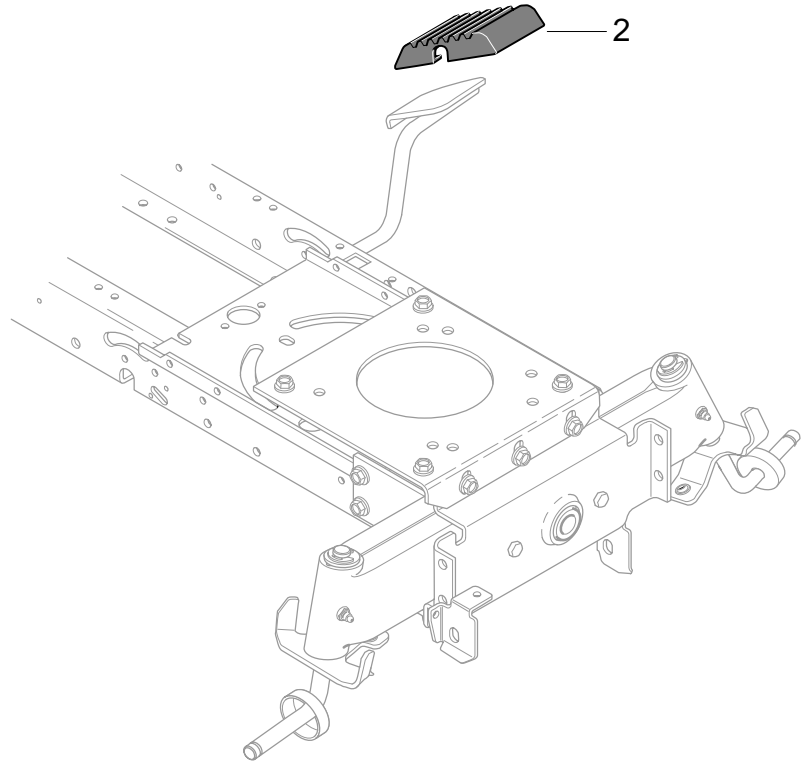
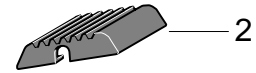
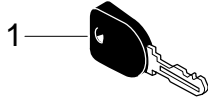




# MODEL 40370x50C

# REPAIR PARTS ELECTRICAL ASSEMBLY

Key No.	Description	Part No.	Key No.	Description	Part No.
1	Wire Harness	95378	14	Screw 1/4x.50	711619
2	Indicator Harness	690611	15	Nut, 1/4-20	711632
3	Rear Harness	95381	16	Ground Wire	95420
4	Wire Harness for Headlights	94103	17	Screw, 1/4x.50	711619
5	Bulb, Headlamp	52572	18	Seat Switch	94159
6	Cable Tie	57444	19	Battery 6 Plate	92693
7	Wire Clip, Adhesive	55939	20	Bolt, 1/4-20x.63	711680
8	Switch, Ignition	94762	21	Wing Nut	711636
10	Assy, Switch Double Pole Delta	690106	22	Battery Boot	335417
10-1	Switch, Double	320082	25	Flatwasher	711666
10-2	Boot, Switch	690074	27	Tape Switch	95330
10-3	Switch Cap	690075	28	Buzzer, For Bag Full	95391
11	Bulb, Indicator	57769	29	Wire, Lead Solenoid to Starter	711579
12	Switch, Limit	94136		15 Amp Fuse	302031
13	Solenoid	94613			



<b>Key No.</b>	<b>Description</b>	<b>Part No.</b>
1	Ignition Key	327350
2	Cover, Pedal Brake/Clutch	94630
3	Steering Wheel	95184
4	Insert, 4-Spoke	711325
5	Footrest Pad RH	95438
6	Footrest Pad LH	95437
7	Ratchet Faastener	311087
8	Seat	95444
9	Shoulder Bolt 5/16-18	711654