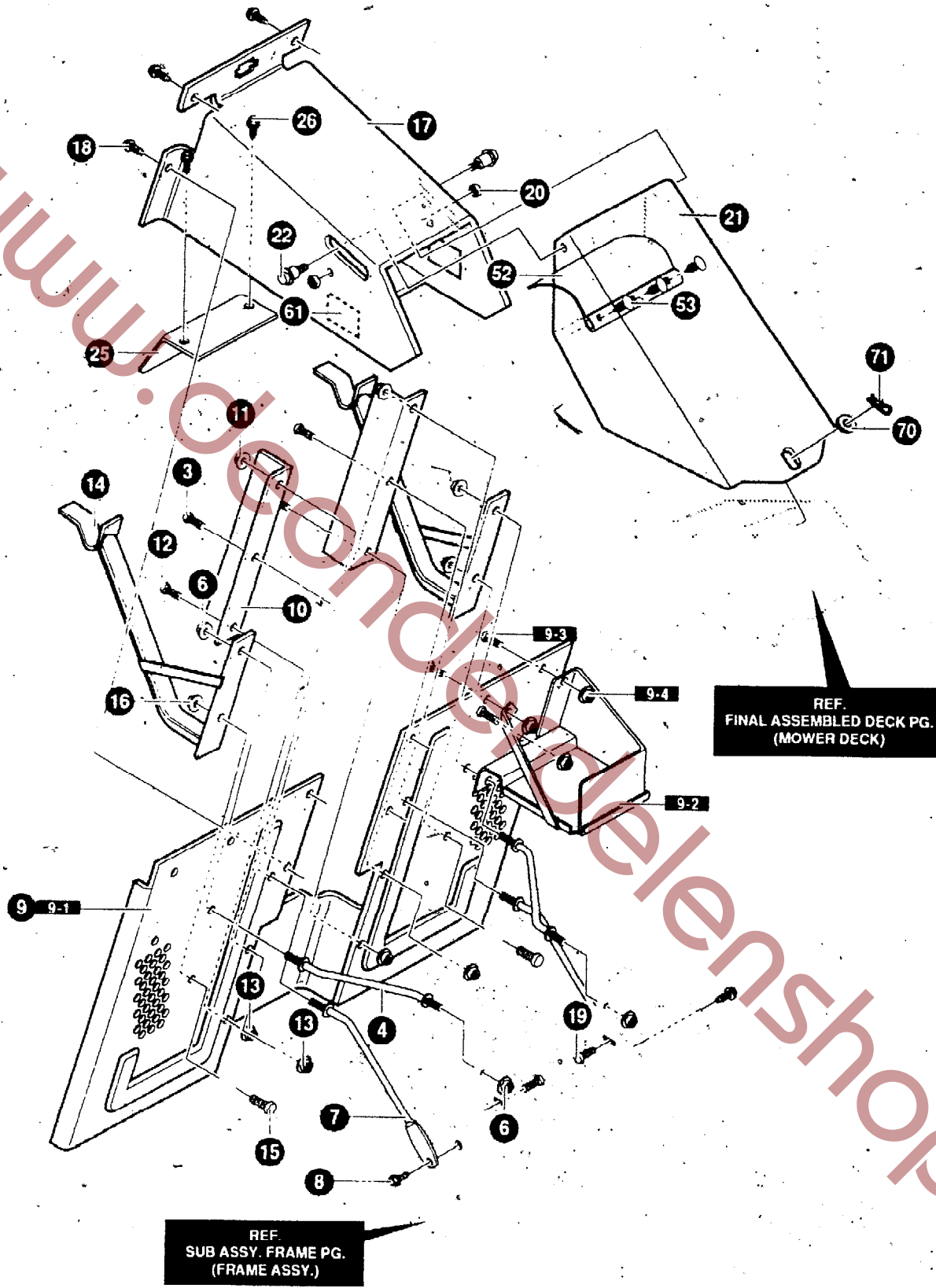


NOTE. ALWAYS USE ORIGINAL EQUIPMENT PARTS.
Use of service/replacement parts other than original equipment parts may void your warranty.

ALL UNNUMBERED
ITEMS ARE INTERCHANGEABLE
WITH OPPOSITE SIDE

341326A

KEY NO.	PART NO.	DESCRIPTION	QTY
1	942121821	BRACKET, SUPPORT GRILLE RH	1
2	94219821	BRACKET, SUPPORT GRILLE LH	1
3	710079	SCREW, 5/16-18X.75HHWATAP	4
4	94880	DASH	1
5	710196	SCREW, 10-24X.500TRSEGI	4
6	94219	BEARING, UPPER	1
7	710197	SCREW, 1/4-14X.50PANCR ZNBKCHR 2	2
8	9421-860	PCATE-DASH 3520	1
9	710196	SCREW, 10-24X.500TRSEGI ZNBKCR	6
10	94315-860	ASSY. LOWER CONSOLE SUPP.	1
10-1	94220-860	SUPPORT, DASH	1
10-2	94222-860	SUPPORT, CHANNEL	1
11	710079	SCREW, 5/16-18X.75HHWATAP	4
13	94971-860	HOOD	1
14	93243-82 1	GRILLE ASSEMBLY	1
14-1	93242	GRILLE	1
14-2	93190	BRACE, GRILLE	1
14-3	710282	SCREW, 1/4-14X.75 PHPANTAPABBL 2	2
14-4	93139	LENS, GRILLE	1
15	710198	BOLT, 230X.135 HSSH 10-32	4
16	93137	ROD, HOOD PIVOT	1
17	710108	PIN, HAIR (31X4)	1
18	93007-860	ACCESS PANEL, W/O SLOT	1
19	710282	SCREW, 1/4-14X.75 PHPANTAPABBL 2	2
20	92059	BELLOWS-STEERING POST.	1
	710475	OPERATOR'S MANUAL	



REF.
FINAL ASSEMBLED DECK PG.
(MOWER DECK)

REF.
SUB ASSY. FRAME PG.
(FRAME ASSY.)

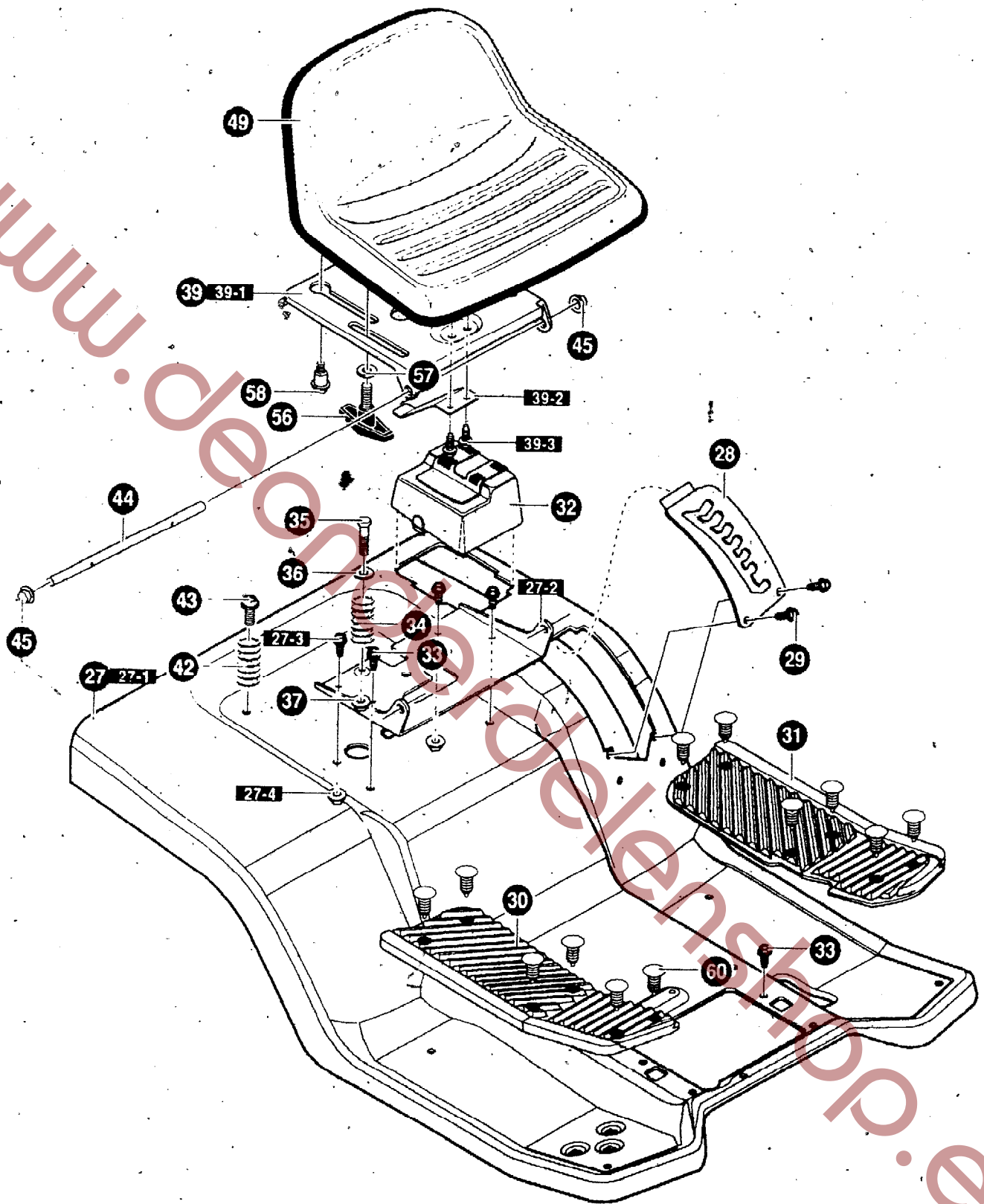
NOTE: ALWAYS USE ORIGINAL EQUIPMENT PARTS.
Use of service/replacement parts other than original
equipment parts may void your warranty.

ALL UNNUMBERED
ITEMS ARE INTERCHANGEABLE
WITH OPPOSITE SIDE

341250A

KEY N O .	PART NO.	DESCRIPTION	QTY
3	710079	SCREW, 5/16-18X.75HHWATAP	2
4	94625	ROD, BRACE	2
6	45171	NUT, 3/8-16 HWDFL WHIZ-LOCK	4
7	94231	ROD, BRACE	2
8	710079	SCREW, 5/16-18X.75HHWATAP	2
9	341493-821	BACK PLATE/BATTERY ASSEMBLY	1
9-1	94569	BACK PLATE ASSEMBLY REBA	1
9-2	94563	BATTERY TRAY WELD ASM.	1
9-3	180073	SCREW, 5/16-18X.50 HHC	3
9-4	45174	NUT, 5/16-18 HEXWDFLLK WHIZ	3
10	94232-821	BRACE, BACK PLATE	2
11	45171	NUT, 3/8-16 HWDFL WHIZ-LOCK	2
12	328154	SCREW, 5/16-18X1.0WDFLLK	4
13	45174	NUT, 5/16-18 HEXWDFLLK WHIZ	4
14	94637-821	ASSY, COLLECTOR SUPPORT	2
15	328154	SCREW, 5/16-18X1.0WDFLLK	2
16	45174	NUT, 5/16-18HEXWDFLLK WHIZ	2
17	94295-821	CHUTE WELD ASM. UPPER	1
18	710079	SCREW, 5/16-18X.75HHWATAP	4
19	57101	BOLT, 5/16-18X.75 CARR	2
20	45174	NUT, 5/16-18 HEXWDFLLK WHIZ	2
21	94970-821	CHUTE WELD ASM. MIDDLE	1
22	51601	BOLT, .500X.453 HSSH 3/8-16	2
25	94263-821	COVER, T-AXLE SHIELD	1
26	7102'64	SCREW, 1/4-20X SO WAHTAP.	2
52	94264	FLAP,CHUTE REBA	1
53	309235	RATCHET FASTENER	3
61	318197	PAD, ADHESIVE 1.00X1.50X.12	2
70	710116	FLATWASHER .550X1.00X1.17X103	1
71	710108	-HAIR PIN (31.X4)	1

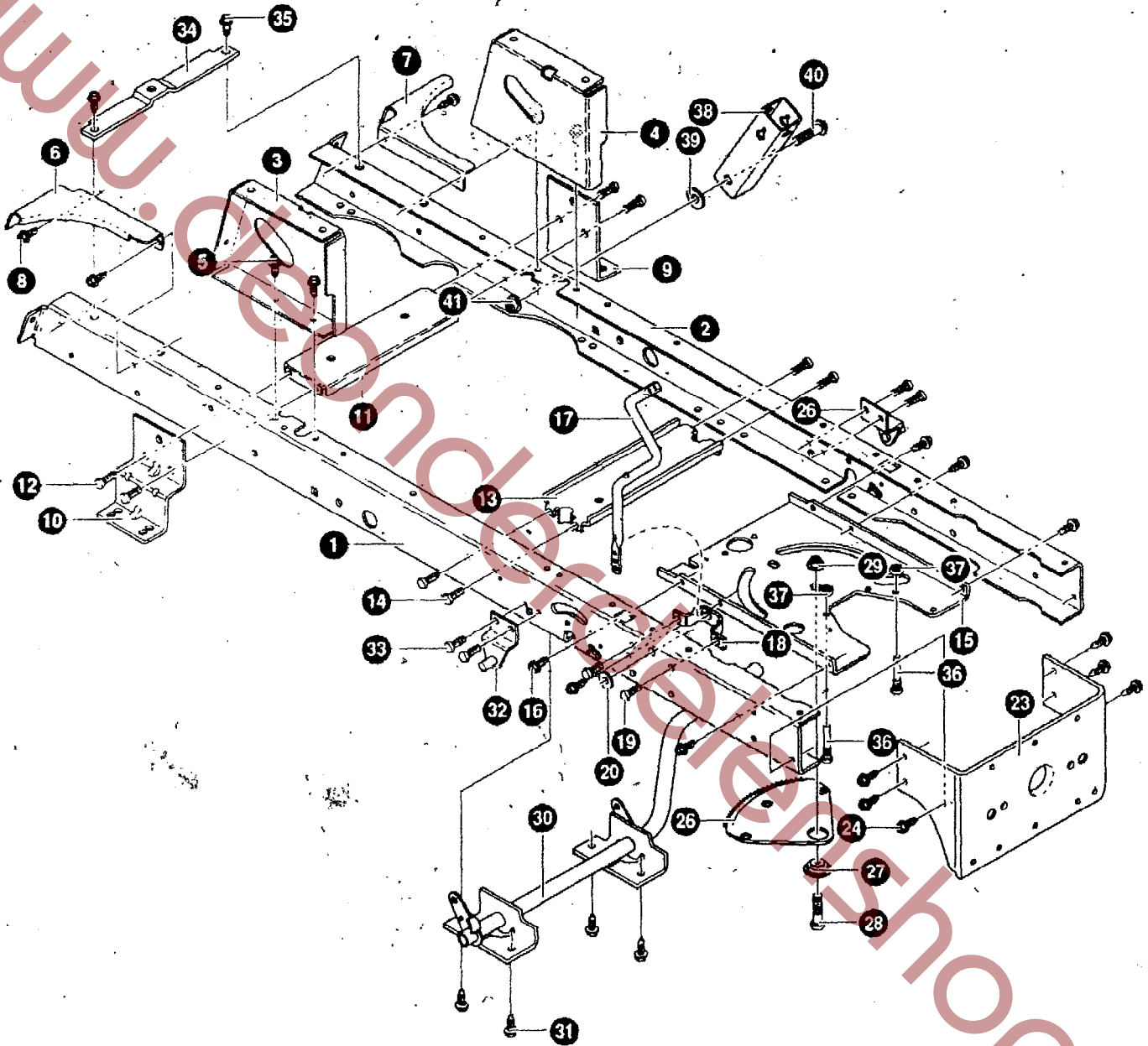
4



NOTE: ALWAYS USE ORIGINAL EQUIPMENT PARTS
Use of service/replacement parts other than original
equipment parts may void your warranty.

ALL UNNUMBERED
ITEMS ARE INTERCHANGEABLE
WITH OPPOSITE SIDE

KEY NO.	PART N O	DESCRIPTION	QTY
27	341496-860	ASM.SEAT DECK PEDAL GEAR REBA	1
27-1	94311	SEAT DECK,GEAR DRIVE	1
27-2	94153	BRACKET, PIVOT SEAT	1
27-3	710279	SCREW, 5/16-18X.625	2
27-4	710205	NUT, 5/16-18 WDFLLK (15X88)	2
28	94243-821	PLATE, LIFT DETENT	1
29	710196	SCREW, 1 0-24X.500TRSEGI	2
30	95438	FOOTREST PAD RH	1
31	9 5 4 3 7	FOOTREST PAD LH	1
32	94200	COVER, BATTERY	1
33	7 1 0 0 7 9	SCREW, 5/16-18X.75HHWATAP	3
34	710136	SPRING; COMPRESS 4.57LG X 1.17	1
35	710093	BOLT,SHOULDER 1/4-20NC-2A(9X55.)	1
36	94155	WASHER CUP ZINC	1
37	710280	NUT, 1/4-20 WDFLLK (15X89)	1
39	341494-860	SUB ASM. SEAT SUPPORT REBA	1
39-1	9 4 1 5 4	SUPPORT, SEAT	1
39-2	94057	SPRING - LEAF	1
39-3	710264	SCREW, 1/4-20X.50 WAHHTAP	2
42	710109	SPRING COMPRESS 2.43LG (164X30)	2
43	710079	SCREW, 5/16-18X.75HHWATAP	2
44	94156	ZINC HINGE SEAT PIVOT	1
45	710192	NUT; PUSH CAP 375 (28X23)	2
49	95444	SEAT, UK. ADJUST	1
56	94160	BOLT, WING 5/16-18	2
57	7 1 0 2 0 7	WASHER, FLAT 344X 62X 06	2
58	710101	BOLT, SHOULDER 5/16-18NC (9X56)	2
60	311087	FASTENER,RATCHET	6

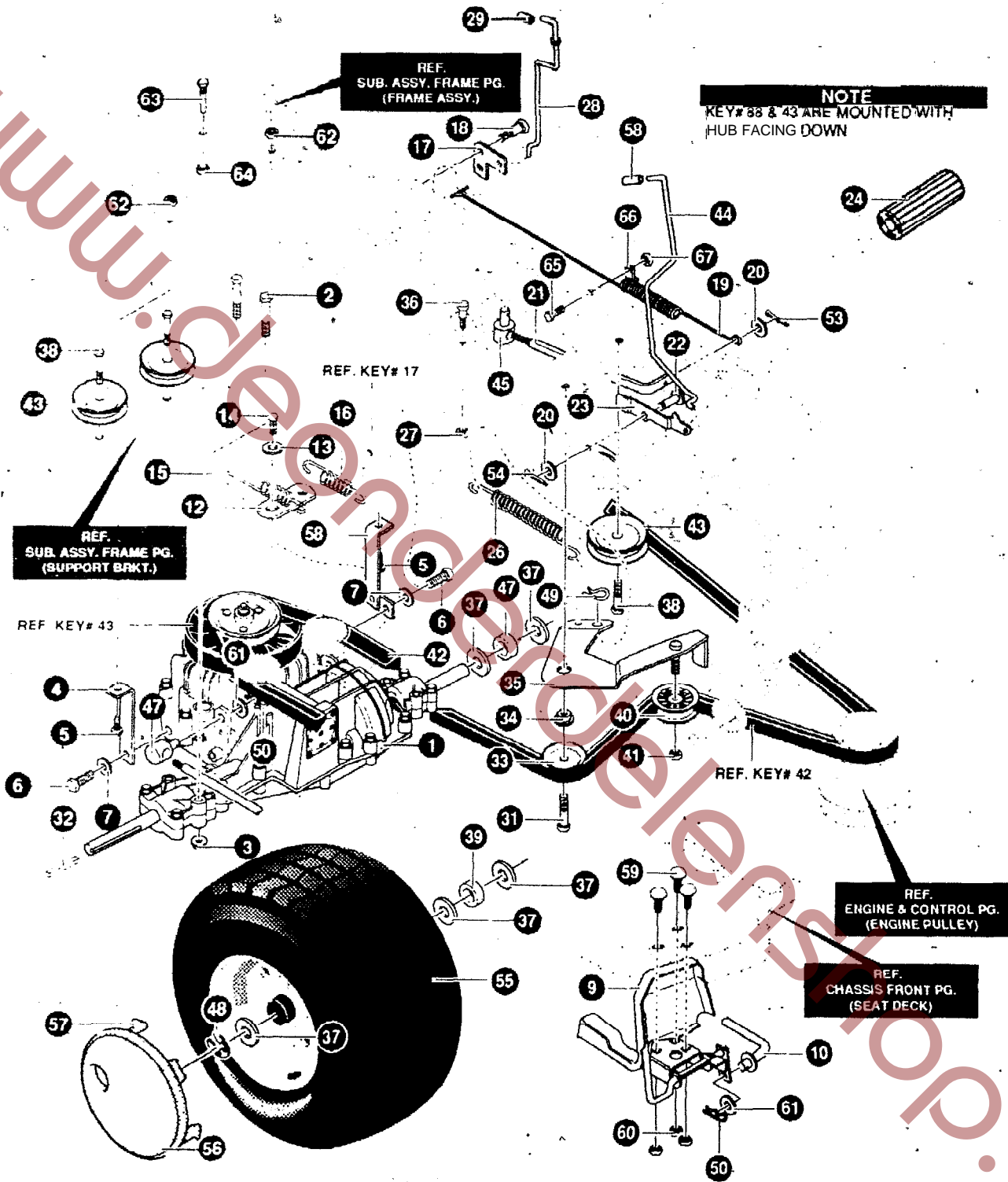


NOTE: ALWAYS USE ORIGINAL EQUIPMENT PARTS.
Use of service/replacement parts other than original
equipment parts may void your warranty.

ALL UNNUMBERED
ITEMS ARE INTERCHANGEABLE
WITH OPPOSITE SIDE

340370A

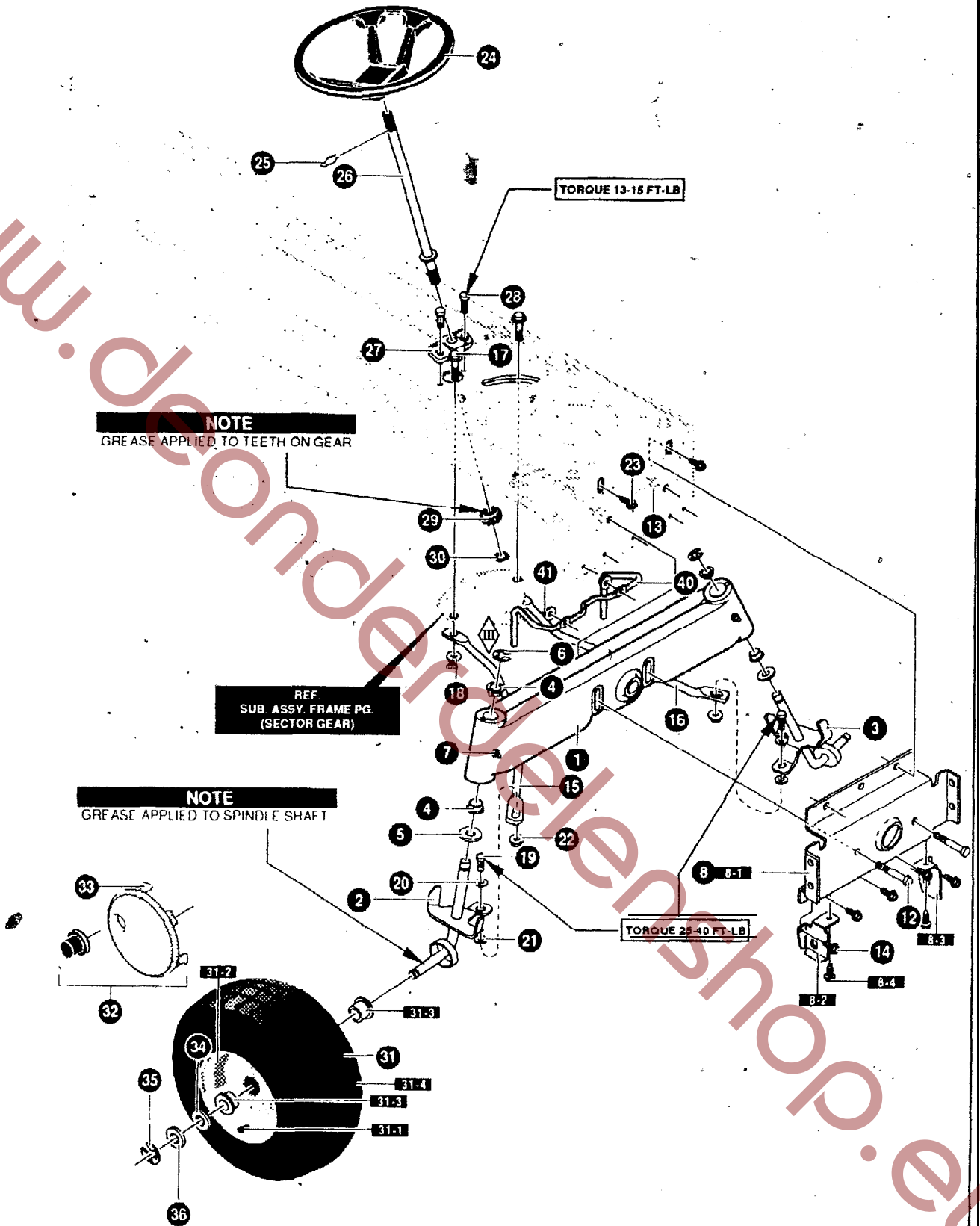
KEY PART N O .	N O .	DESCRIPTION	QTY
1	94564	FRAME,RAIL RH REBA	1
2			1
3	94634 94565	SUPPORT,SEAT FRAME,RAIL LH REBA RH	1
4	94633	SUPPORT,SEAT LH	1
5	710079	SCREW, 5/16-18X.75HHWATAP	4
6	94561	BRACE, BACKPLATE RH	1
7	94562	BRACE, BACKPLATE LH	1
8	710079	SCREW, 5/16-18X.75HHWATAP	4
9	94008	BRACKET,TRANSAXLE	1
10	94234	BRACKET,T/A RH-VST, LH-VST	1
11	94236	ASSY, IDLER MOUNT, REAR	1
12	710079	SCREW, 5/16-18X.75HHWATAP	4
13	94237	ASM. IDLER MOUNT,FRONT	1
14	710079	SCREW, 5/16-18X.75HHWATAP	4
15	94003	PLATE,STEERING MOUNTING	1
16	710079	SCREW, 5/16-18X.75HHWATAP	6
17	94019	CRANK, PTO (DRILLED)	1
18	94005	BRACKET, BELL CRANK	1
19	710079	SCREW, 5/16-18X.75HHWATAP	2
20	120395	WASHER, FLAT .469X .92X.065	1
23	94013	BRACKET, HANGER REAR	1
24	710079	SCREW, 5/16-18X.75HHWATAP..	6
26	94121	GEAR, SECTOR	1
27	94123	BEARING, SECTOR GEAR	1
28	710312	SCREW, 5/16-18X1.00..	1
29	710105	NUT, 5/16-18 HWDFLLK (15X113)	1
30	94241	ASM.CLUTCH/BRAKE PEDAL	1
31	710079	SCREW, 5/16-18X.75HHWATAP	1
32	94265	BRACKET SUSPENSION ASM. .	2
33	710079	SCREW, 5/16-18X.75HHWATAP	4
34	94566	BRACE, RAIL	1
35	710079	SCREW, 5/16-18X.75HHWATAP	2
36	93349	SCREW GUIDE 5/16-18	2
37	710204	NUT,5/16-18 HEXWDFLCK WHIZ PL	2
38	94015	BRACKET, PIVOT	1
39	845	WASHER, FLAT .390X1.25X.19	1
40	710000	BOLT., .562X1.563 HSH 3/8-16	1
41	710140	NUT,3/8-16HWDFLLK MACK 15X84	1



NOTE: ALWAYS USE ORIGINAL EQUIPMENT PARTS.
Use of service/replacement parts other than original
equipment parts may void your warranty.

ALL UNNUMBERED
ITEMS ARE INTERCHANGEABLE
WITH OPPOSITE SIDE

KEY NO.	PART NO.	DESCRIPTION	QTY
2		TRANSAXLE VST205-025BM	1
3	710205 180091	SCREW, NUT, 5/16-18 506-18X2.50 WDFLLK HHC (15X88)	4
4			4
5	94224-821	BRACKET, STABILIZER	1
	710079	SCREW, 5/16-18X.75HHWATAP	1
6	35498	SCREW, 5/16-18X .75 WAHHTAP	1
7	120638	WASHER, HVSPTLK .328X.60X.09	1
9	94422-821	PEDAL ASSEMBLY	1
10	94304	FOOT CONTROL ROD	1
12	323212	SHIFT BRACKET	1
13	56255	SCREW, 1/4-28X.75NYLHH	1
14	57157	WASHER -750X.250 SP-TRANSAXLE	1
15	94622	SPRING, TRANSAXLE DISCONNECT	1
1 6	326780	SPRING, TENSION 3/8ODX2.18X.0551	1
17	9462 t-821	BRACKET, DISCONNECT LEVER	1
18	~334126	BOLT, .437X.1 36 5/1 6-18 1	1
19	954.24	SPRING, BRAKE 35.00	1
20	120394	WASHER, FLAT .406X.81X.065	1
21	94573	ROD, CLUTCH	1
22	49332	PIN, CLEVIS .375DX.81LG	1
23			1
24	94045 21544	PEDAL BRAKE/CLUTCH. STD. NLT	1
26	710139	SPRING, TENS .09X. X5.	1
27	780029	NUT, f/4-20 HEX NYLOCK #71035	1
28			
21	94653 335980	CAP, ROD; DUMPVALVE DISCONNECT CONTROL ROD .25IDX.75 1 1.	
32	710082	SCREW, 3/8-16X1 HHCFL5HR5	1
33	52928 35374	PULLEY, KEY, SQUARE IDLER .187SQX2.25LG V4L 3.06X .62 21.	
34	95423	SPACER, SHOULDER	1
35	94238	ASSY, IDLER ARM TRACTION	1
37			1
38	642018824	WASHER, TSCREW 250X8-36X1.25SFLA 1.755X1.31X.075 6 3...	
39	95421	SPACER, .87 X 1.78	2
40	91179	PULLEY	1
41	45905	NUT, 3/8-16 HWDFLCK MACK	1
42	94609	BELT, V 4L 112.75	1
43	35374	PULLEY, IDLER V4L 3.06X .62 3	3
44	94152	PARK BRAKE CONTROL ROD	1
45	710059	NUT, 5/16-18X3/8 ADJUSTING	1
47	92132	ADJUSTING NUT 1/2-13 1	1
48	3 6 6 2 5	R I N G , R E J E X .57X.05TRU5133-75	2
50	56180	PIN, HAIR .53DIA X1.62LG	1
53	8260 121222	PIN; PIN, COTTER HAIR .091.090DIA X1.66LG DIA X.75LG 1 1.	
54	692290	TIRE & RIM	1
	121222	PIN; PIN, COTTER HAIR .090 DIA X .75LG	2
	338512	VALVE STEM	2
	336524	RIM	2
	338526	TIRE 20X8-8	2
56		NOT USED ON THIS UNIT	
57		NOT USER ON THIS UNIT	
58	94225-821	ASM. WELD, BKT STABILIZER LH	1
59	57101	BOLT, 5/16-18X.75 CARR.	3
60	710205	NUT, 5/16-18 WDFLLK (15X88)	3
61			
62	996425 45174	FLATWASHER NUT, 5/16-18 HEX WDFLLK 515X.88X.064 WHIZ	2
63	93349	SCREW GUIDE 5/16-18	1
64	710204	NUT, 5/16-18 HEX WDFLLK WHIZ	1
65	180016	SCREW, 1/4-20 X.50	1
66	51335	R I T T A I N E R .1/4-20.6WDFLWHIZ-LK	1

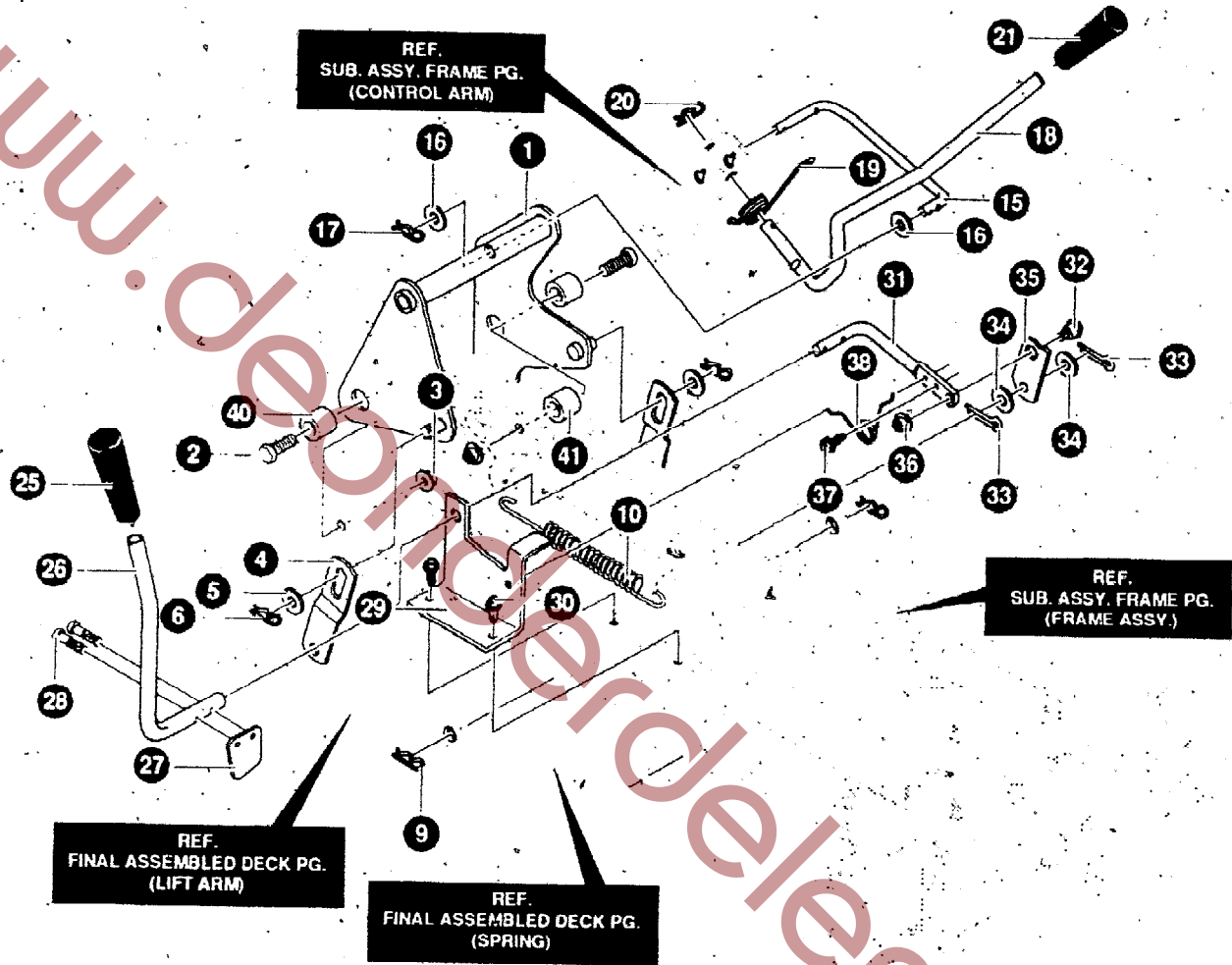


NOTE. ALWAYS USE ORIGINAL EQUIPMENT PARTS. Use of service/replacement parts other than original equipment parts may void your warranty.

ALL UNNUMBERED ITEMS ARE INTERCHANGEABLE WITH OPPOSITE SIDE

340597A

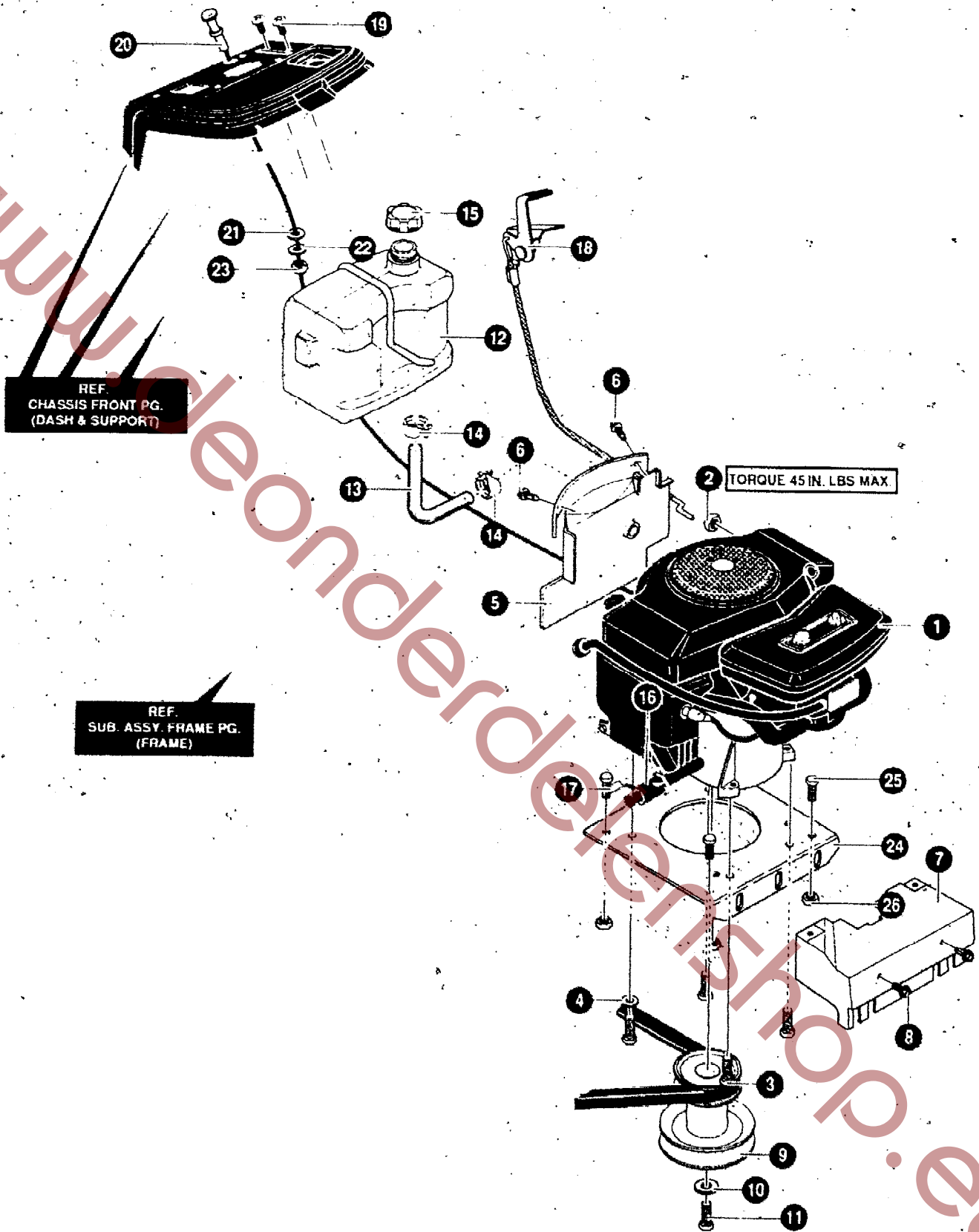
KEY NO.	PART NO.	DESCRIPTION	Q	T	Y
1	95405-821	AXLE, CAST MACHINED	1		
2	94 178-821	SPINDLE,RH MO#94178	1		
3	94179-821	SPINDLE LH,WELD ASSEMBLY	1		
4	92527	BEARING, SPINDLE	4		
5	710129	WASHER, .766 IO X 1.62ID 16GA	2		
6	7101.03	E-RING .574ID X .050/ .750SH 11X3	2		
7	706	ZERK, GREASE FITTING	2		
8	341491-821	ASM.FRONT AXLE/DECK H A N G E R	1		
8-1	94007	HANGER, AXLE	1		
8 - 2	94290	HANGER,DECK RH	1		
8-3	9 4 2 6 9	HANGER,DECK LH	1		
8-4	710079	SCREW, 5/16-18X.75HHWATAPSGIBP	2		
12	1 8 0 1 1 3	SCREW, 5/16-18X3.00	2		
13	710205	NUT, 5/16-18 WDFLLK (15X88) Z	2		
14	710079	SCREW, 5/16-18X.75HHWATAPSGIBP	2		
15	94020-821	DRAG LINK RH	1		
16	94021-821	DRAGLINK, LH	1		
17	710440	BOLT,HHSH (9X57)	2		
18	710140	NUT,3/8-16HWDFLLK MACK 15X84	2		
19	710082	SCREW, 3/8-16X1.5	2		
20	710083	WASHER, FLAT .391X1.00X.083	2		
21	7 1 0 1 4 2	WASHER, FLAT.406X.81 XI 6GA	2		
22	710140	NUT,3/8-16HWDFLLK MACK 15X84 Z	2		
23	710079	SCREW, 5/16-18X.75HHWATAPSGIBP	3		
24	95442	STEERING WHEEL	1		
26	94127	SHAFT, STEERING	1		
27	94124	BEARING-LOWER	1		
26.	7 1 0 0 7 9	SCREW, 5/16-18X.75HHWATAPSGIBP	2		
29	94122	GEAR PINNION	1		
30	710102	RING, RET E.54ID.59SH (11X25)	1		
31	692287	TIRE & RIM 15X6-6	2		
31-1	338512	VALVE STEM	2		
31-2	338517	RIM, CARLISLE	2		
31-3	338513	BEARING	2		
31-4	3385 16	TIRE, 15 X 6 X 6	2		
34	710131	WASHER, FLAT .759ID (340435)	2		
35	36625	RETAINING RING	2		
36	710350	WASHER, FLAT .765X1.62X.065Z	2		
40	94310	GUIDE-STACK PULLEY BELT	1		
4	1 45174	NUT, 5/16-18 HEXWOFLLK WHIZ	2		



NOTE: ALWAYS USE ORIGINAL EQUIPMENT PARTS
 Use of service/replacement parts other than original
 equipment parts may void your warranty.

ALL UNNUMBERED
 ITEMS ARE INTERCHANGEABLE
 WITH OPPOSITE SIDE

KEY, NO.	PART NO.	DESCRIPTION	QTY
1	134299-m	LIFT ARM WELD ASSEMBLY	1
2	710222	SCREW, 1/2-13X1.50 (1X127)	2
3	710223	NUT, 1/2-13 LOCK (15X41)	2
4	94262-821	BRACKET, LIFT LINK	2
5	710119	FLATWASHER (17X91)	2
6	710108	PIN, HAIR (31X4)	2
9	710108	PIN, HAIR (31X4)	2
10	710235	SPRING, EXTENSION 9.82X1.01 OD	1
15	942.76	LINK, LIFT HANDLE	1
16	710119	FLATWASHER (17X91)	2
17	8260	PIN, HAIR .091 DIA X 1.66 LG	1
18	94029	HANDLE, LIFT	1
19	710111	TORSION SPR NG .657 LG (166X40)	1
20	710108	PIN, HAIR (31 X4)	1
21	94929	GRIP, GREY	1
25	94928	GRIP, GREY	1
2 6	94827	PTO LEVER	1
27	94022	P A D D L E , SWITCH	1
28	710137	SCREW, THD FORMING	2
29	94018-821	BRACKET, PTO	1
30	710079	SCREW, 5/16-18X.75HHWATAP	2
31	94017	LEVER, PTO	1
32	710098	BOLT .50X.75 HSSH 3/8-16Z 9X39	1
33	36365	HAIR PIN	2
3 4	710115	FLATWASHER .518X.87X16 17X102	2
35	94004	LINK PTO ZINC	1
36	710140	NUT, 3/8-16HWD FLLK MACK (15X84)	1
37	710079	SCREW, 5/16-18X.75HHWATAP	1
38	710141	TORSION SPRING .33 LG (166X39)	1
40	94309	SPACER .513 ID X .80 OD	2
41	56150	SPACER, SLEV .94X1.13X.531	1



REF.
CHASSIS FRONT PG.
(DASH & SUPPORT)

REF.
SUB. ASSY. FRAME PG.
(FRAME)

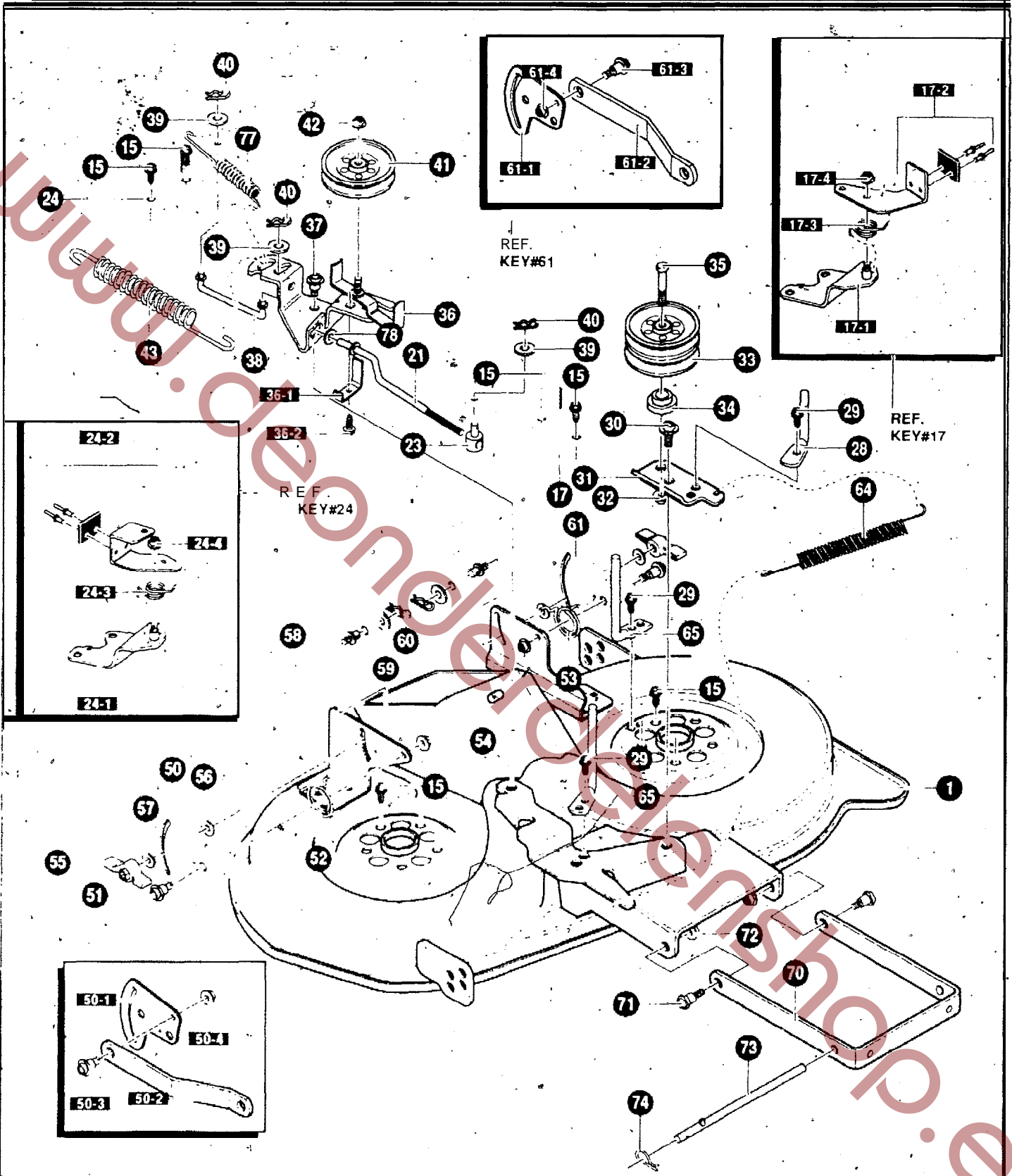
TORQUE 45 IN. LBS MAX

NOTE: ALWAYS USE ORIGINAL EQUIPMENT PARTS.
Use of service/replacement parts other than original
equipment parts may void your warranty.

ALL UNNUMBERED
ITEMS ARE INTERCHANGEABLE
WITH OPPOSITE SIDE

341562A

KEY PART NO.	NO.	DESCRIPTION	QTY
1	ENGINE	14-18HP STD/IC DUAL(SEE ENGINE MANUAL)	1
2	124818	NUT, 1/4-20 REGHXJAM	1
3	50947	SCREW, 3/8-16X1.25 WAHHTAP	4
4	138489	WASHER, EXLK.384X.69X.04	1
5	93078-821	BAFFLE, REAR ENG TWINOPP	1
6	710245	SCREW, #8-1 6X.38 TRCRTAPABBLC	2
7	93191-821	HEAT SHIELD, ENG. TWIN OPP	1
8	710264	SCREW, 1/4-20X.50 WAHHTAP	2
9	94308	PULLEY, ENGINE 4.89X6.75X5.4OFF	1
10	120383	WASHER, REGSPTLK.459X.78X.12 Z	1
11	433146	SCREW, 7116-20X4.25 HHC BLK PH	1
12	92597	FUEL TANK 2.0 GAL	1
13	5 7 8 7 6	TUBING, .25X.50 GAS LINE	13.00 IN.
14	91174	CLAMP, GAS LINE GREEN	2
15	92317	FUEL CAP	1
16	325547	OIL DRAIN VALVE ASSEMBLY	1
17	327422	CAP OIL DRAIN VALVE ASM YELLOW	1
18	93165	THROTTLE CONTROL	1
19	710245	SCREW, #8-16X.38 TRCRTAPABBLC	2
20	91326	CHOKE CONTROL	1
21	710477	WASHER, .39X.62X.03 (17X185)	1
22	710478	WASHER, .38X.68X.03 STAR (19X8)	1
23	710479	NW; 3/8-24	1
24	94006-821	PLATE, ENGINE	1
25	710079	SCREW, 5/16-18X.75HHWATAPSGIBP	4
26	710205	NUT, 5/16-18 WDFLLK (15X88)	4

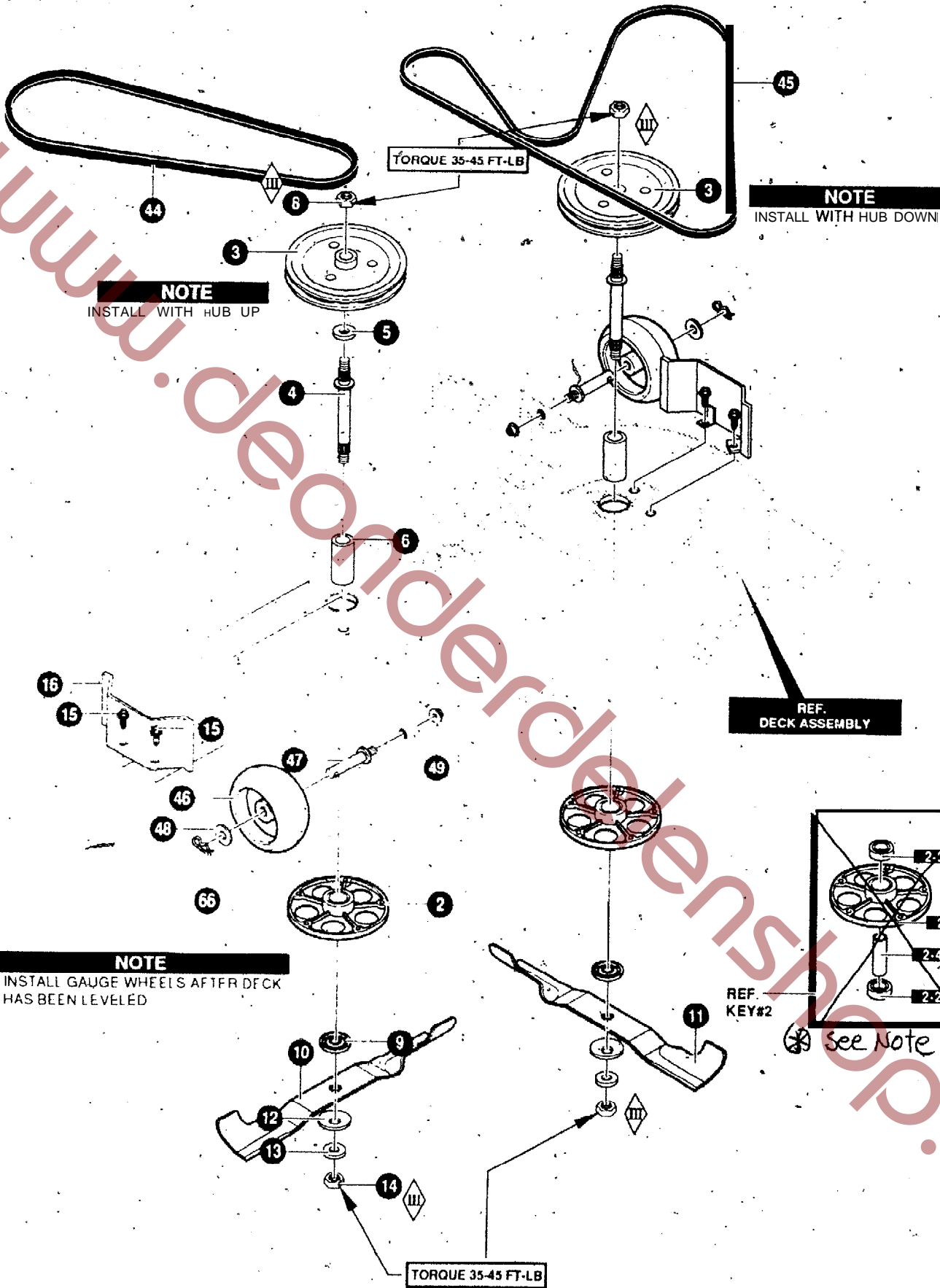


NOTE ALWAYS USE ORIGINAL EQUIPMENT PARTS
 Use of service/replacement parts other than original
 equipment parts may void your warranty.

ALL UNNUMBERED
 ITEMS ARE INTERCHANGEABLE
 WITH OPPOSITE SIDE

340977A

KEY.	PART	DESCRIPTION	QTY
		ASSEMBLY DECK	1
15	710265	SCREW, 3/8-16X1.00 WAHHSPTAPPL	10
17	94665-821	BRAKE ARM ASSEMBLY LH	1
17-1	94293	BRAKE SUPPORT ASSEMBLY LH	1
17-2	94291	BRAKE ARM ASSEMBLY L H	1
17-3	710110	SPRING, TORSION (166X27)	1
17-4	710205	NUT, 5/16-18 WDFLLK (15X88)	1
21	94277	LINK, BRAKE LH	1
22	21920	NUT, ADJ. 3/8-16TAP	1
24-1	94294 94664-82 1	BRAKE ARM ASSEMBLY SUPPORT ASSEMBLY RH RH	1 1
24-2	94292	BRAKE ARM ASSEMBLY RH	1
24-3	710077	SPRING, TORSION	1
24-4	710205	NUT, 5/16-18 WDFLLK (15X88)	1
2	8 94274	GUIDE, BELT REBA	1
29	710114	SCREW, 5/16-18 .50HHTAP	3
30	710098	BOLT, 50X.75 HSH 3/8-16Z 9X39	1
31	94261-821	ARM, DOUBLE IDLER	1
32	710140	NUT, 3/8-16HWDFLLK MACK 15X84	1
33	94279	PULLEY, IDLER DOUBLE VEE	1
34	94269	SPACER, REBA DECK	1
35	180138	SCREW, 3/8-16 X3.00 HHC	1
36	94973-821	IDLER ARM ASSEMBLY	1
36-1	94312	SPRING, GUIDE BELT	1
36-2	710264	SCREW, 1/4-20X.50 WAHHTAP	1
3 7	710098	BOLT, 50X.75 HSH 3/8-16Z 9X39	1
3	8 94278	LINK, BRAKE RH	1
39	316079	WASHER, FLAT .406X .82X.040	1
40	8260	PIN, HAIR .091 DIA X1.66LG	3
4t	94280	PULLEY, V IDLER 4	1
42	710140	NUT, 3/8-16HWDFLLK MACK t 5X84	1
43	710234	SPRING, EXTN 5.40X.714OD	1
50	341593.821	PLATE -SUSPENSION ASSY	1
50-1	94128	PLATE - SUSPENSION	1
50-2	94055	SUSPENSION BRKT REAR	1
50-3	7 10095	SHOULDER BOLT 3/8-16(9X52)	1
50-4	7100940	BOLT, 3/8-16 HSH 3/8-16Z 9X39	2
52	710112	SPRING, TORSION .68LG RH (166X42)	1
53	710113	SPRING, TORSION .68LG LH (166X43)	1
54	710140	NUT, 3/8-16HWDFLLK MACK (15X84)	2
55	94068	KNOB	2
57	94137	PAD, FRICTION	2
58	710195	WASHER (17X45)	2
	94064	PIN, HANGER	2
60	710116	WASHER, FLAT .550X1.00X11(17X103)	2
61	710108	PIN, HAIR (31X4)	2
	341594-821	ASM. PLATE REAR SUS BRKT LH	1
61-1	94128	PLATE - SUSPENSION	1
61-2	94055	SUSPENSION BRKT REAR	1
61-3	710095	SHOULDER BOLT 3/8-16(9X52)	1
61-4	710140	NUT, 3/8-16 MACK (15X84)	1
64	710233	SPRING, EXTN 4.20X.7500	1
65	94275	GUIDE BELT	2
70	94058-82 1	BRACKET, FRT SUSPENSION	1
71	710094	BOLT, SHOULDER .375(9X51)	2
72	710140	NUT, 3/8-t6HWDFLLK MACK (15X84)	2
73	94158	ZINC ROD, HANGER	1
74	710108	P I N , HAIR (31X4)	1
77	710658	SPRING, EXTENSION	1
78	996416	WASHER, FLAT .391 X1.00X.125	1



NOTE: ALWAYS USE ORIGINAL EQUIPMENT PARTS
Use of service/replacement parts other than original
equipment parts may void your warranty.

ALL UNNUMBERED
ITEMS ARE INTERCHANGEABLE
WITH OPPOSITE SIDE

340977A

KEY NO.	PART NO.	DESCRIPTION	QTY
2		ASM.JACKSHAFT HOUSING W/VENTS	2
2-1		HOUSING, JACKSHAFT	1
2-2			1
2-3			1
2-4			3
3	92425	PULLEY, DECK REBA	2
4	91922	JACKSHAFT, 7.76LG-9/16-18TH	2
5	710117	WASHER, FLAT .625X1.00X.188	1
6	91903	SPACER	2
8	710408	NUT, 9/16-18 CTLK (15X101)	2
9	94207	ADAPTER, DECK/BLADE	2
10	94208	BLADE, 40" RH REAR DISCHARGE	1
11	94209	BLADE, 40" LH REAR DISCHARGE	1
12	710118	WASHER, FLAT.625X1.7517X1.66	2
13	710117	WASHER, FLA-F .625X1.00X.188	2
14	710104	NUT, 9/16 REGHEX (15X100)	2
15	710265	SCREW, 3/8-16X1.00 WAHHSPTAPPL	10
16	94288-821	COVER PULLEY	2
44	710231	BELT, V	1
45	710232	BELT, V- 40" DECK	1
46	92683	GAUGE WHEEL, 4.94 DIA.	2
47	94025	BOLT, SPSH 3/8-16X.63SH3.00LG	2
48	710115	WASHER, FLAT.518X.87X16 17X102	2
49	710140	NUT, 3/8-16HWDFLLK MACK 15X84	2
66	710108	HAIR PIN (31 X4)	2

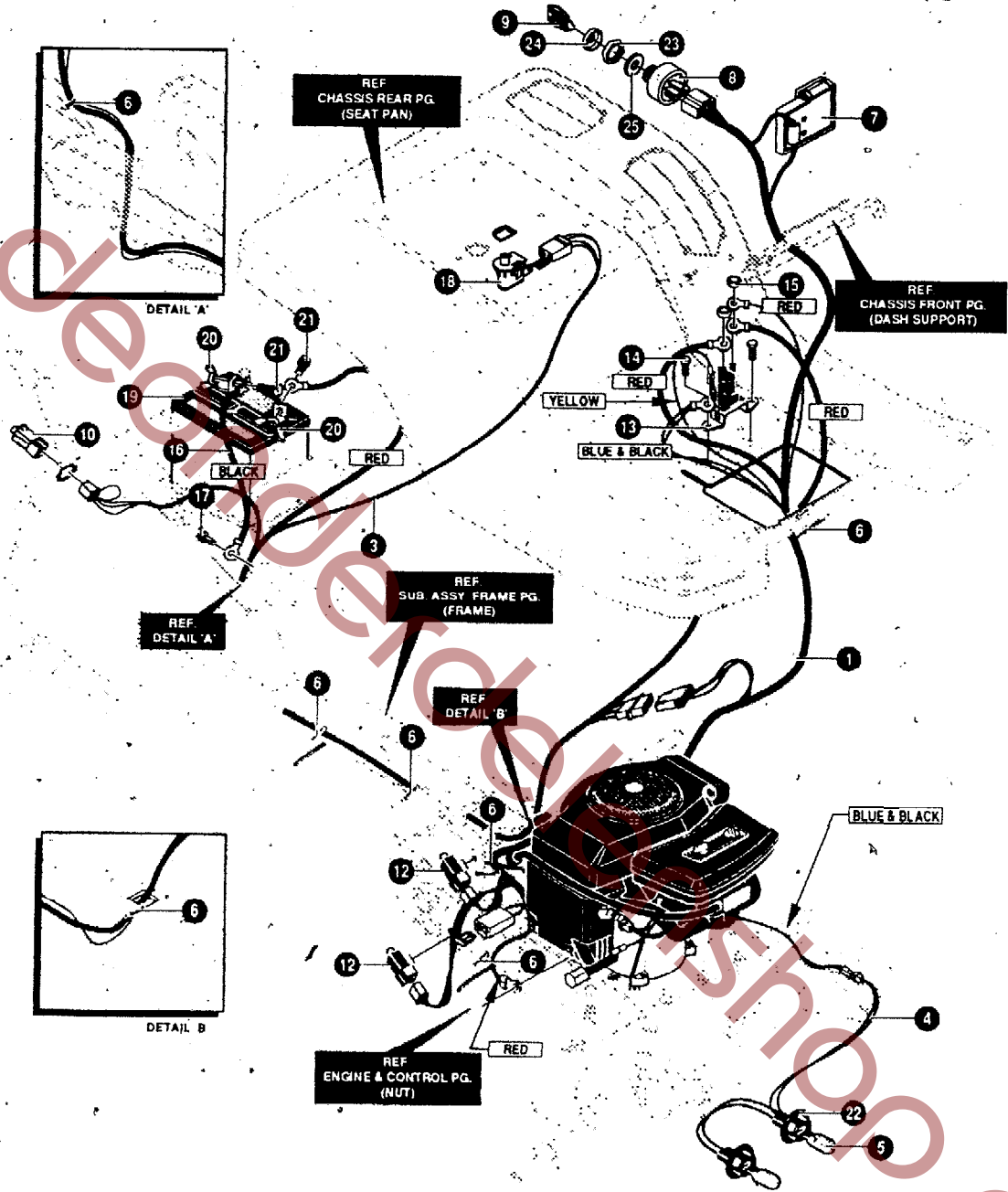
See Note

94282
92282
92281
94305 428 09 21

N/A

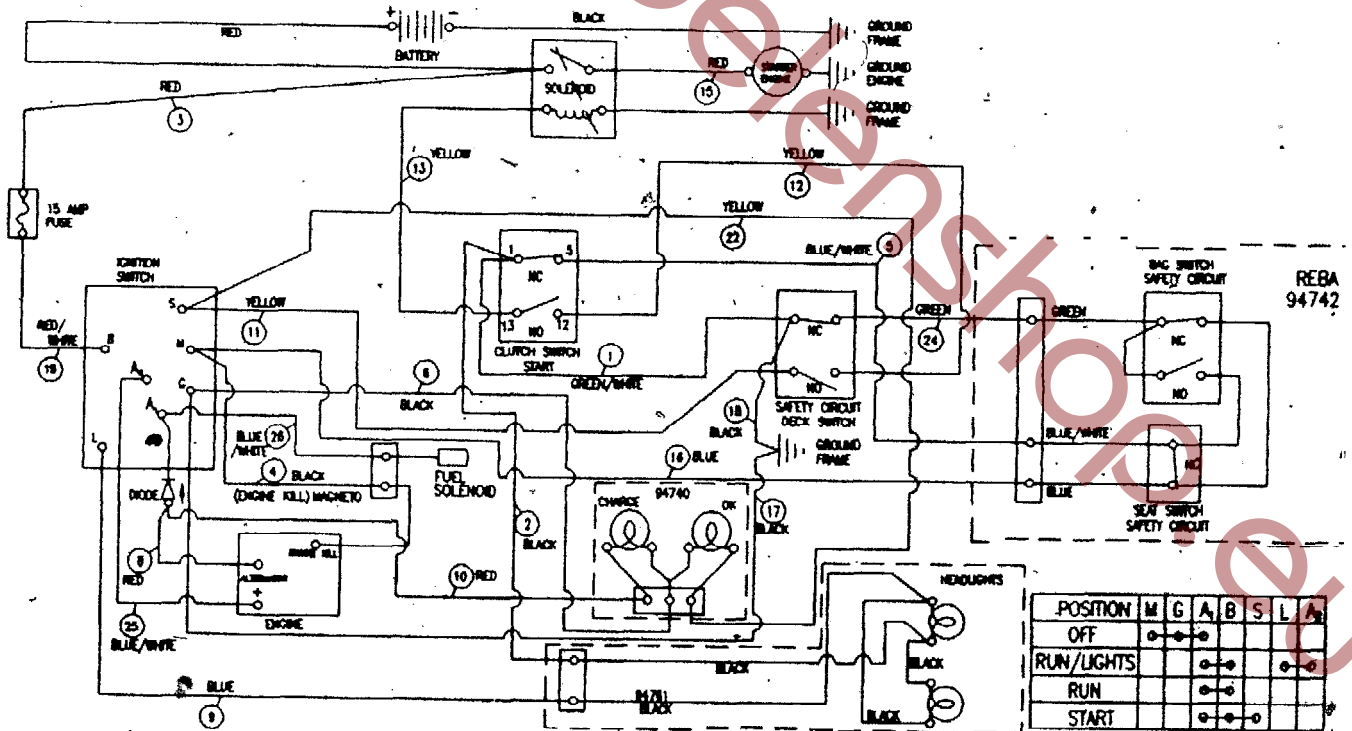
Note:

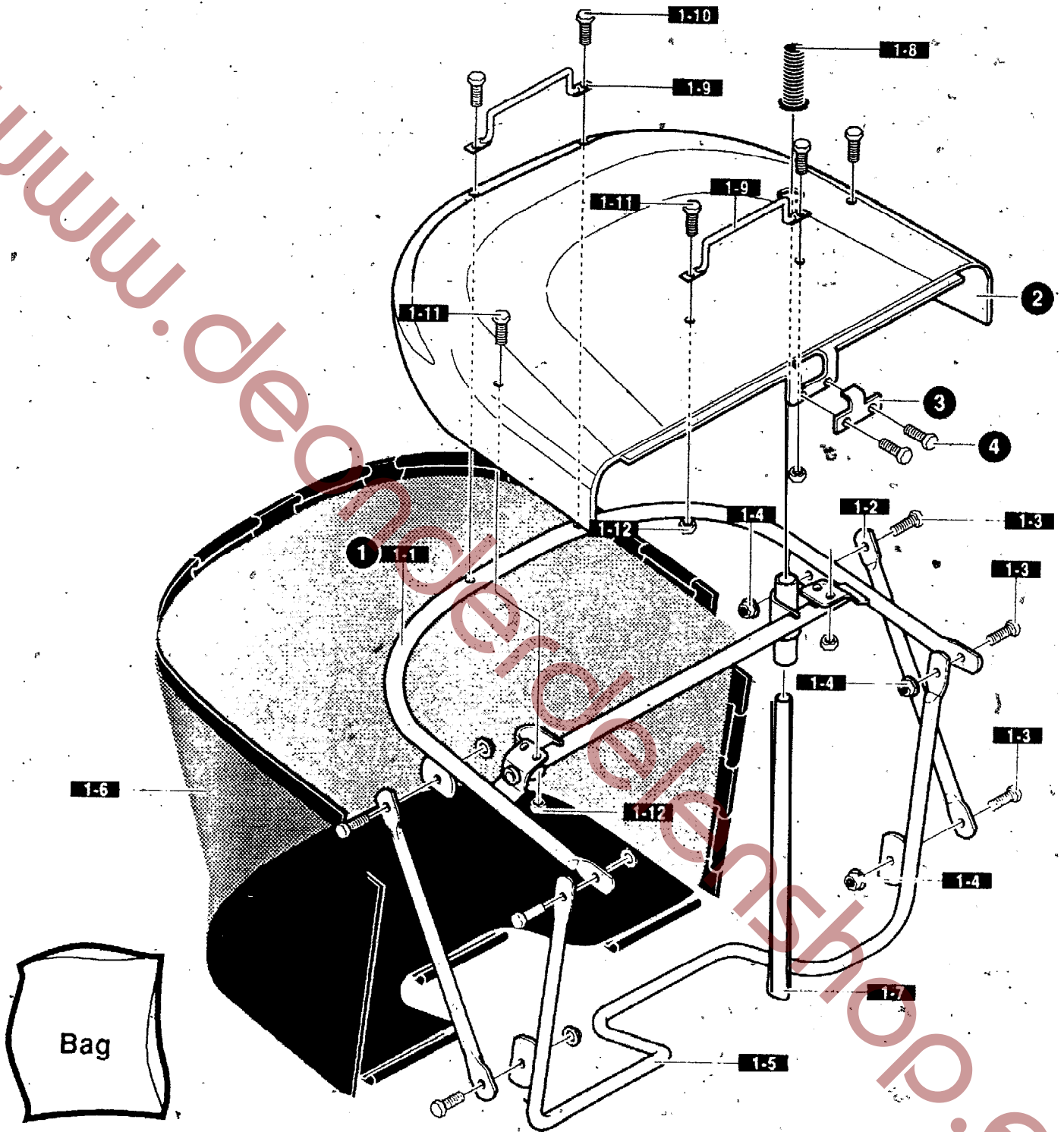
⊗ These individual parts will not be available.
Must order the complete assembly; Part No. 94305.



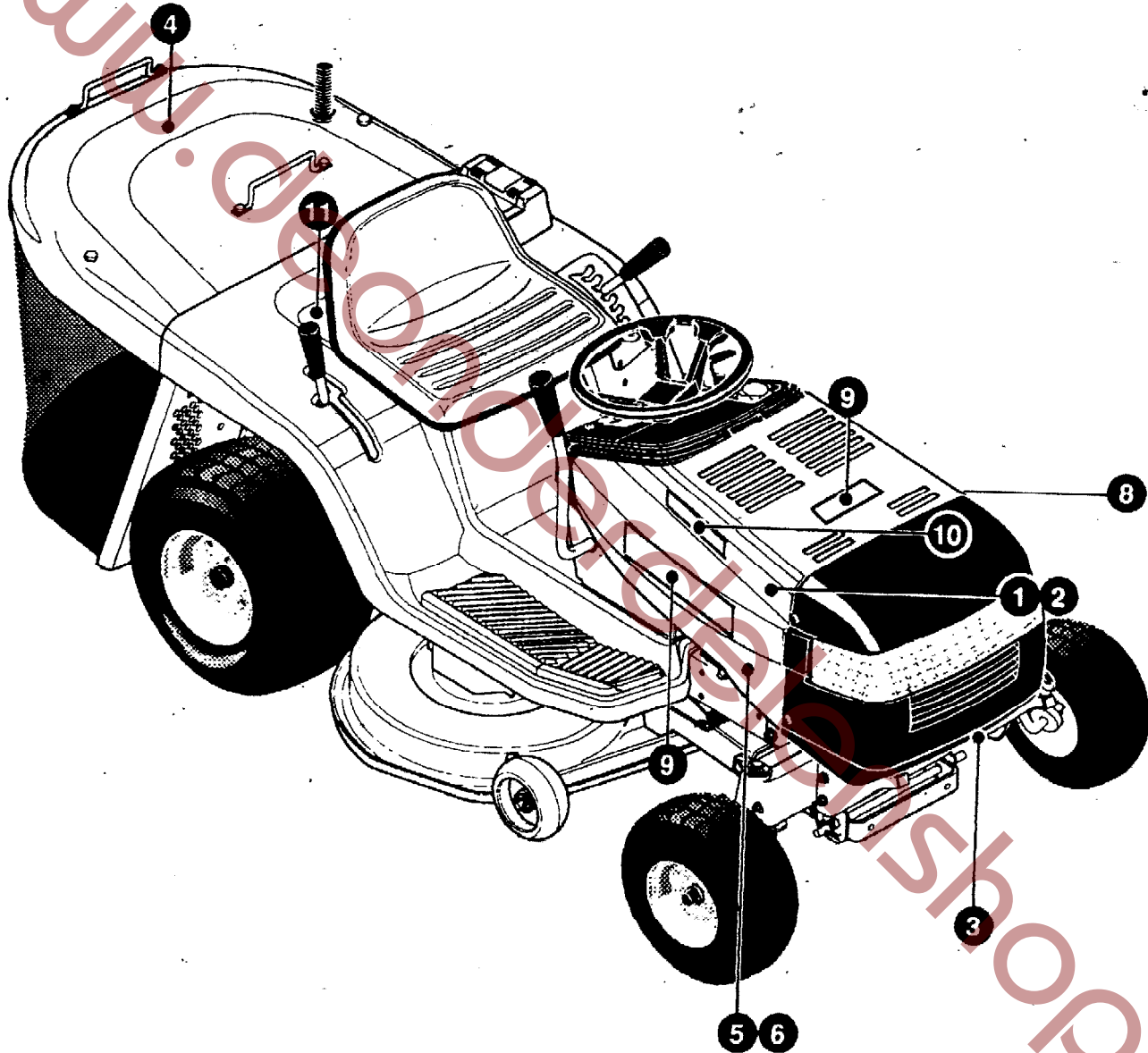
KEY NO.	PART NO.	DESCRIPTION	QTY
1	94743	HARNES 14-20 OPP. TWIN	1
3	94742	HARNES, REAR-BATTERY REBA	1
4	94780	WIRE ASSEMBLY, HEADLIGHT	
5	90084	BU L B LIGHT	2
6	57444	TIE, CABLE BLACK 5.62LLON	5
7	931.56	AMMETER	2
8	94078	SWITCH, IGNITION 7 TERM	1
9	327350	KEY; IGNITION DELTA	1
10	320082	SWITCH, DOUBLE POLE NO/NC GRAY	1
12	94136	SWITCH LIMIT DELTA 6400-84	2
14	946133	SCREW, HHWATAP 1/4X.50 Z REV*BH	2
15	710203	NUT, 1/4-20 HEXNYL 15X1 16 BLKZ	2
16	95420	WIRE, GROUND, 20.0"	1
17	710133	SCREW, HHWATAP 1/4X.50 Z REV*BH	1
18	94159	SWITCH, SEAT	1
19	302257	BATTERY, 12 VOLT 7 PLATE	1
20	710226	BOLT, 1/4-20X.63CAR (2X82)	2
21	710225	NUT, WING 1/4-20 NC (14X79)	2
22	92372	SOCKET	2
23	327352	NUT, 5/8-8 ACME DELTA FOR BOOT	1
24	300194	BOOT, IGN SWITCH	1
25	138557	WASHER, REGINTLK .640X1.1X.05	1

SCHEMATIC WIRING

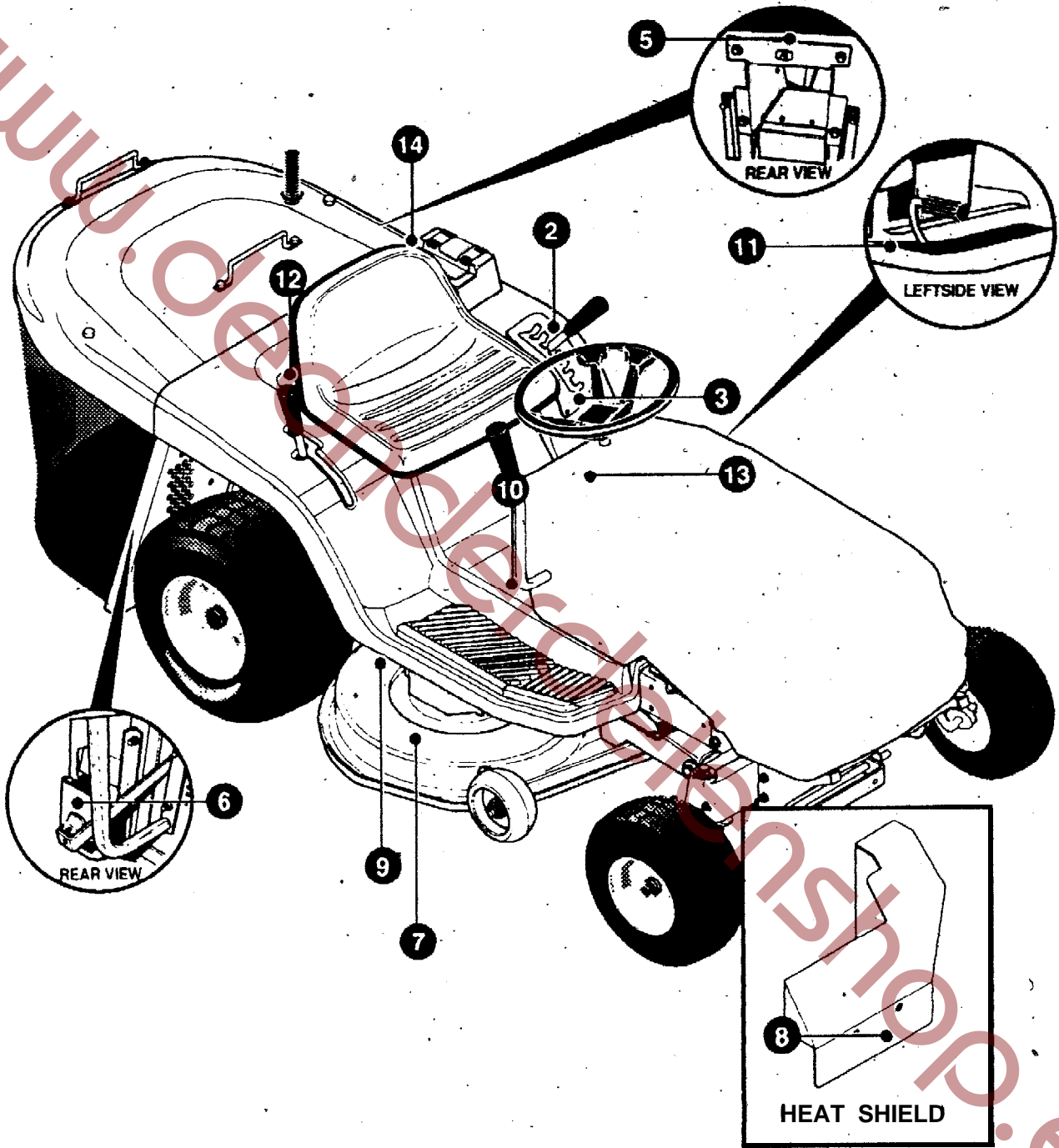




KEY NO.	PART NO	DESCRIPTION	QTY
1	94560	ASM.GRASS COLLECTOR REBA	1
1-1	9 4 8 4 9	ASSY., UPPER F R A M E	1
1-2	94850	BRACE, FRAME COLLECTOR REBA	2
1-3	180020	SCREW, 1/4-20X.75	6
1-4	780029	NUT, 1/4-20 HEX NYLOCK #71035	6
1-5	94851	ASSY., FRONT FRAME REBA COLLECT	1
1 - 6	-94852	BAG, REBA COLLECJOR	1
1 - 7	94853	HANDLE, DUMP REBA COLLECT.	1
1-8	9 4 8 5 4	RUBBER GRIP 7/8" REBA	1
1-9	94855	H A N D L E ; R E B A COLLECTOR	2
1-10	710266	SCREW, 10-24X.38 SLHWATAP	2
1-11	710266	SCREW, 10-24x.38 SLHWATAP	4
1-12	308459	NUT, #10-24 HXHDNYLK	4
2	94908-860	TOP COVER, COLLECTOR R E B A	1
3	94244	BRACKET, SWITCH	1
4		RIVET, POP (NON-SERVICEABLE PART)	



KEY PART NO.	NO.	DESCRIPTION	QTY
1	710769	DECAL, SENTINEL 16TWIN/102 RT	1
2	710770	DECAL, SENTINEL 16TWIN/102 LT	1
3	710676	DECAL, SENTINEL FRONT GRILLE	1
4	710742	DECAL, MURRAY BAGGER TOP	1
5	710718	DECAL, AUTODRIVE LOWER RT HOOD	1
6	710719	DECAL, AUTODRIVE LOWER LT HOOD	1
8	305602	FOAM HOOD 4X15	1
9	305603	PAD, FOAM HOOD 18X6	3
10	307277	PAD, FOAM HOOD 12X4	2
11		NOT A SERVICEABLE PART,	



KEY N O :	PART NO.	DESCRIPTION	QTY
2	710517	DECAL, HEIGHT ADJUST 6-POS.	1
3	710683	DECAL, DECK LEVEL REBA/NLT EXP	1
4	710523	DECAL, PINCH POINTS WARNING	1
5	338541	DECAL, BAGGER "CE" M344X5939	1
6	338542	DECAL, DRAWBAR WARN M#44X6138	1
7	402700	DECAL, CAUTION DECK LH	2
8	338543	DECAL, HOT SURF WARN M#44X5936	1
9	710684	DECAL, DECK BELT ROUTE REBA	1
10	710534	DECAL, CONS CAUT. M#44X6815	1
11	402702	DECAL, BRAKE/CLUTCH PICTOGRAM	1
12	318010	DECAL, TUV GS MO 44X2929	1
13	710270	DECAL, AUTODRIVE INSTR DASH RT	1
14	710771	DECAL, REBA HYDRO DUMP VALVE	1