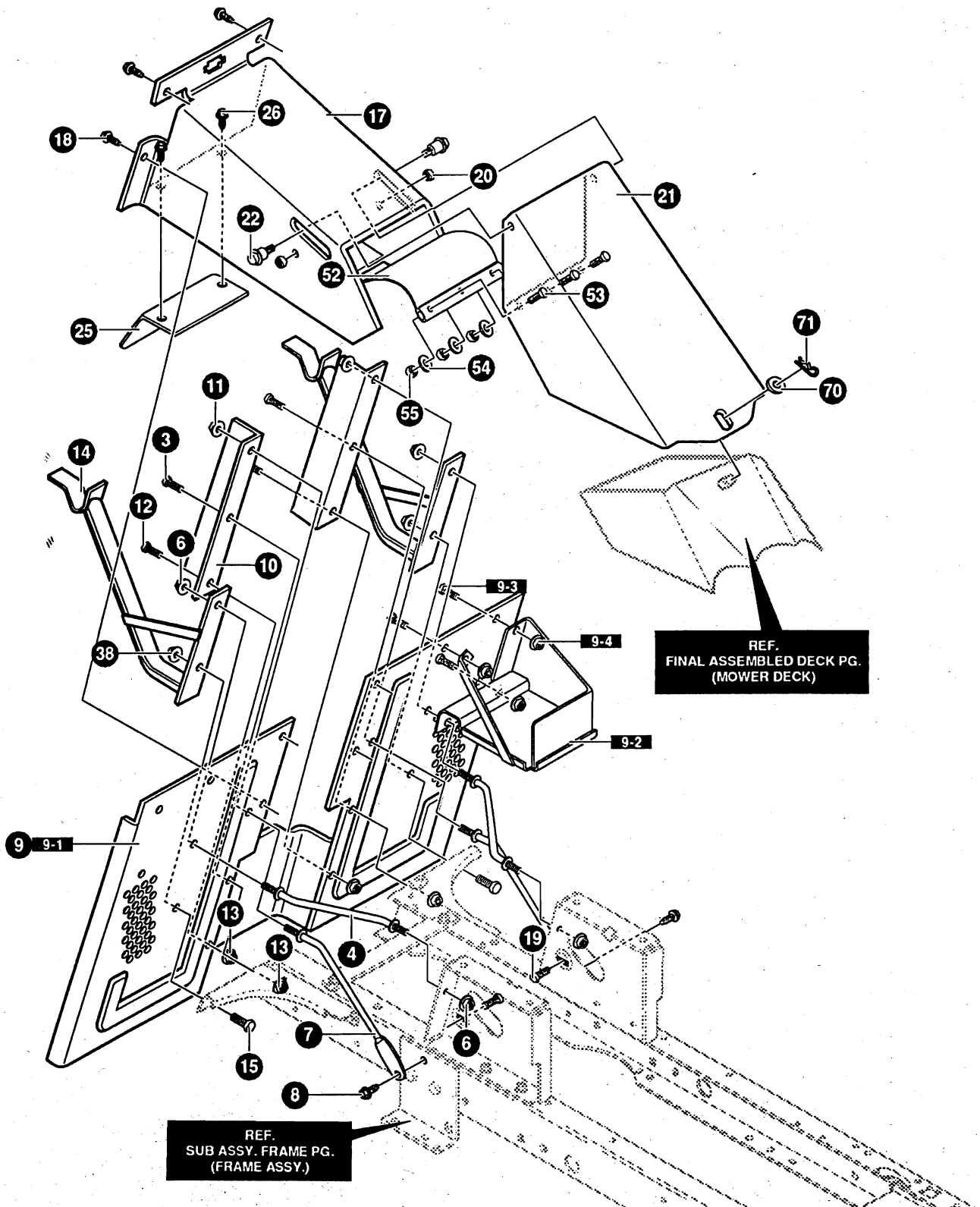


NOTE: ALWAYS USE ORIGINAL EQUIPMENT PARTS.
Use of service/replacement parts other than original equipment parts may void your warranty.

ALL UNNUMBERED
ITEMS ARE INTERCHANGEABLE
WITH OPPOSITE SIDE

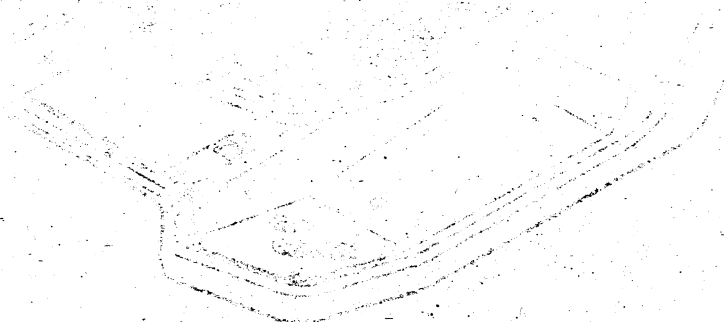
KEY NO.	PART NO.	DESCRIPTION	QTY
1	94212-821	BRACKET, SUPPORT GRILLE RH	1
2	94213-821	BRACKET, SUPPORT GRILLE LH	1
3	710079	SCREW, 5/16-18X.75HHWATAP	4
4	94842	DASH	1
5	710196	SCREW, 10-24X.500	4
6	94214	BEARING	1
7	710197	SCREW, 1/4-14X.50PANCR ZNBKCHR	2
8	94211-860	PLATE-DASH PANEL	1
9	710196	SCREW, 10-24X.500TRSEGI ZNBKCR	6
10-1	94975-860	SUPPORT, DASH	1
10-2	94215-860	SUPPORT, CHANNEL	1
11	710079	SCREW, 5/16-18X.75HHWATAP	4
13	94972-860	HOOD	1
14	94867	GRILLE ASSEMBLY	1
14-1	94871	GRILLE	1
14-2	92448	BRACE, GRILLE	1
14-3	710282	SCREW, 1/4-14X.75 PHPANTAPSBBL	2
14-4	92344	LENS, GRILLE	1
15	710198	BOLT, .230X .135 HSH 10-32	4
16	92332	ROD, HOOD PIVOT	1
17	710108	PIN, HAIR (31X4)	1
18	94313	BELLOWS, STEERING POST (NOT SHOWN)	1
	710471	OPERATOR'S MANUAL(NOT SHOWN)	

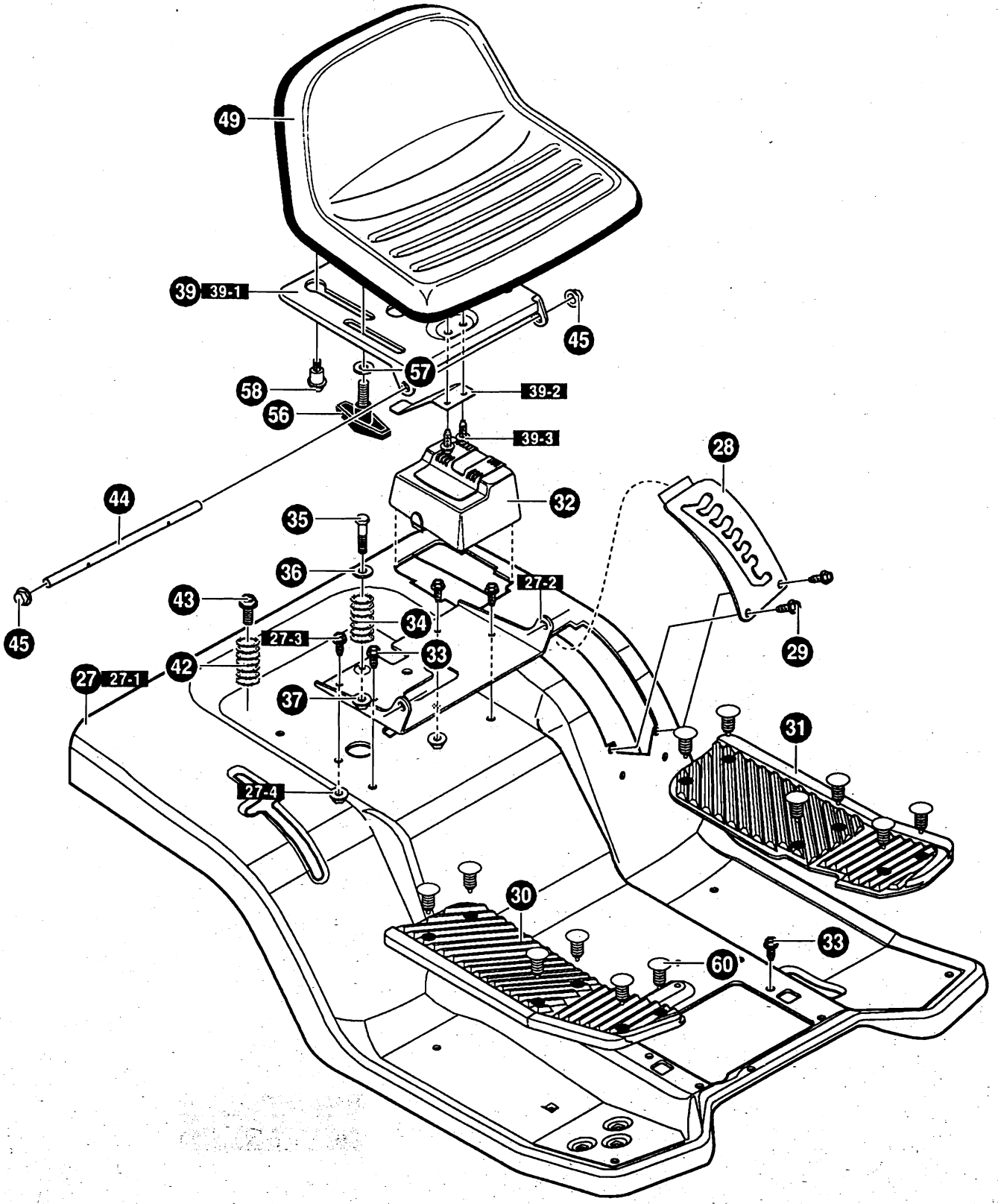


NOTE: ALWAYS USE ORIGINAL EQUIPMENT PARTS. Use of service/replacement parts other than original equipment parts may void your warranty.

ALL UNNUMBERED ITEMS ARE INTERCHANGEABLE WITH OPPOSITE SIDE

KEY NO.	PART NO.	DESCRIPTION	QTY
3	710079	SCREW, 5/16-18X.75	2
4	94625	ROD, BRACE	2
6	45171	NUT, 3/8-16 HWDFL WHIZ-LOCK	4
7	94231	ROD, BRACE	2
8	710079	SCREW, 5/16-18X.75HHWATAP	2
9	341493-821	BACK PLATE/BATTERY ASSEMBLY	1
9-1	94569	BACK PLATE ASSEMBLY	1
9-2	94563	BATTERY TRAY WELD ASM.	1
9-3	180073	SCREW, 5/16-18X .50 HHC	3
9-4	45174	NUT, 5/16-18 HEXWDFLLK WHIZ	3
10	94232-821	BRACE, BACK PLATE	2
11	45905	NUT, 3/8-16 HWDFLLK MACK	2
12	328154	SCREW, 5/16-18X1.0WDFLLK	4
13	710205	NUT, 5/16-18 WDFLLK (15X88)	4
14	94637-821	ASSY, COLLECTOR SUPPORT	2
15	328154	SCREW, 5/16-18X1.0WDFLLK	2
17	94295-821	CHUTE WELD ASM. UPPER	1
18	710079	SCREW, 5/16-18X.75HHWATAP	4
19	57101	BOLT, 5/16-18X .75 CARR	2
20	45174	NUT, 5/16-18 HEXWDFLLK WHIZ	2
21	94970-821	CHUTE MIDDLE ASSY	1
22	51601	BOLT, .500X .453 HHSH 3/8-16	2
25	94263-821	COVER, T-AXLE SHIELD	1
26	710264	SCREW, 1/4-20X .50 WAHHTAP	2
52	94264	FLAP, CHUTE REBA	1
53	180020	SCREW, 1/4-20X .75 HHC	3
54	120392	WASHER, FLAT .281X .63X.065	3
55	46931	NUT, 1/4-20 WDFL MAC-LOCK	3
70	710116	WASHER, FLAT .281X .63X .065	1
71	710108	PIN, HAIR (31X4)	1

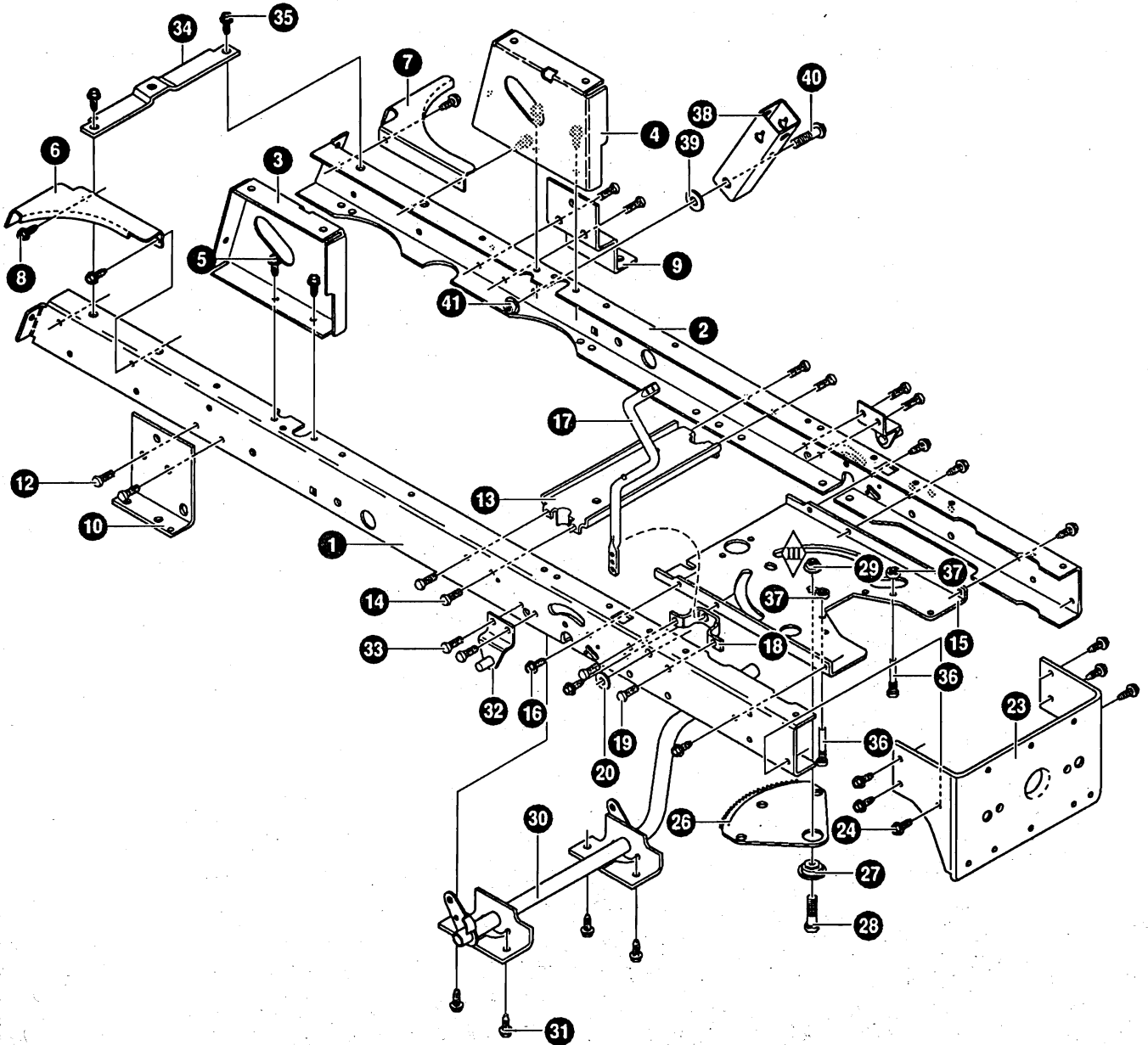




NOTE: ALWAYS USE ORIGINAL EQUIPMENT PARTS.
Use of service/replacement parts other than original
equipment parts may void your warranty.

ALL UNNUMBERED
ITEMS ARE INTERCHANGEABLE
WITH OPPOSITE SIDE

KEY NO.	PART NO.	DESCRIPTION	QTY
27	341496 -860	ASM.SEAT DECK PEDAL GEAR REBA	1
27-1	94204	SEAT DECK,GEAR DRIVE	1
27-2	94153	BRACKET, PIVOT SEAT	1
27-3	710279	SCREW, 5/16-18X .625	2
27-4	710205	NUT, 5/16-18 WDFLLK (15X88)	2
28	94243-860	PLATE, LIFT DETENT	1
29	710196	SCREW, 10-24X.500TRSEGI	2
30	95409	FOOTREST PAD RH	1
31	95408	FOOTREST PAD LH	1
32	94200	COVER, BATTERY	1
33	710079	SCREW, 5/16-18X.75HHWATAP	3
34	710136	SPRING, COMPRESS 4.57LG X 1.17	1
35	710093	BOLT,SHOULDER 1/4-20NC-2A(9X55)	1
36	94155	WASHER CUP ZINC	1
37	710280	NUT, 1/4-20 WDFLLK (15X89)	1
38	45174	NUT, 5/16-18 HEXWDFLLK WHIZ	2
39	341494-860	SUB ASM. SEAT SUPPORT REBA	1
39-1	94154	SUPPORT, SEAT	1
39-2	94057	SPRING - LEAF	1
39-3	710264	SCREW, 1/4-20X .50 WAHHTAP	2
42	710109	SPRING,COMPRESS 2.43LG (164X30)	2
43	710079	SCREW, 5/16-18X.75HHWATAP	2
44	94156	ZINC HINGE SEAT PIVOT	1
45	710192	NUT, PUSH CAP .375 (28X23)	2
49	340927	SEAT, QK ADJUST	1
56	94160	BOLT, WING 5/16-18	2
57	710281	WASHER, FLAT.344X .62X.06	2
58	710101	BOLT, SHOULDER 5/16-18NC (9X56)	2
60	309235	FASTENER,RATCHET	6

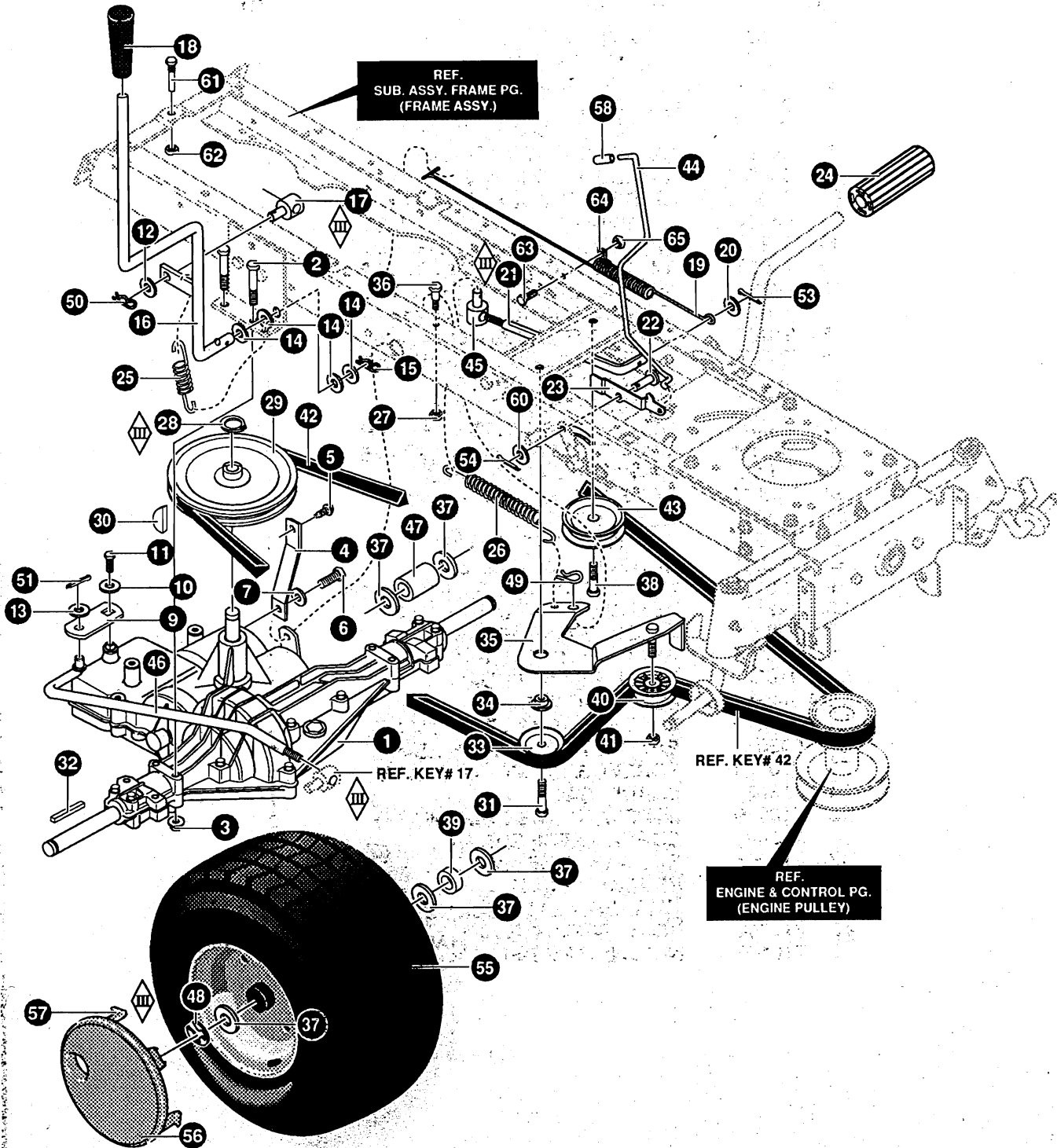


NOTE: ALWAYS USE ORIGINAL EQUIPMENT PARTS.
Use of service/replacement parts other than original equipment parts may void your warranty.

ALL UNNUMBERED
ITEMS ARE INTERCHANGEABLE
WITH OPPOSITE SIDE

340413A

KEY PART NO.	NO.	DESCRIPTION	QTY
1	94564	FRAME,RAIL RH	1
2	94565	FRAME,RAIL LH	1
3	94634	SUPPORT,SEAT RH	1
4	94633	SUPPORT,SEAT LH	1
5	710079	SCREW, 5/16-18X.75HHWATAP	4
6	94561	BRACE, BACKPLATE RH	1
7	94562	BRACE, BACKPLATE LH	1
8	710079	SCREW, 5/16-18X.75HHWATAP	4
9	94234	BRACKET,T/A RH-VST,LH-MST	1
10	94235	BRACKET,TRANSAXLE RH-MST	1
12	710079	SCREW, 5/16-18X.75HHWATAP	4
13	94237	ASM. IDLER MOUNT,FRONT	1
14	710079	SCREW, 5/16-18X.75HHWATAP	4
15	94003	PLATE,STEERING MOUNTING	1
16	710079	SCREW, 5/16-18X.75HHWATAP	6
17	94019	CRANK, PTO (DRILLED)	1
18	94005	BRACKET, BELL CRANK	1
19	710079	SCREW, 5/16-18X.75HHWATAP	2
20	120395	WASHER, FLAT .469X .92X.065	1
23	94013	BRACKET, HANGER REAR	1
24	710079	SCREW, 5/16-18X.75HHWATAP	6
26	94121	GEAR, SECTOR	1
27	94123	BEARING, SECTOR GEAR	1
28	710312	SCREW, 5/16-18X1.00	1
29	710105	NUT, 5/16-18 HWDFLLK (15X113)	1
30	94241	ASM.CLUTCH/BRAKE PEDAL	1
30-1	94037	S-ROD, BRAKE-PEDAL	1
30-2	94035	BRACKET, PEDAL PIVOT	2
30-3	94036	LEVER BRAKE PEDAL	1
30-4	94230	LEVER, BRAKE	1
31	710079	SCREW, 5/16-18X.75HHWATAP	4
32	94285	BRACKET SUSPENSION ASM.	2
33	710079	SCREW, 5/16-18X.75HHWATAP	4
34	94566	BRACE, RAIL	1
35	710079	SCREW, 5/16-18X.75HHWATAP	2
36	93349	SCREW GUIDE 5/16-18	2
37	710204	NUT,5/16-18 HEXWDFLLK WHIZ PL	2
38	94015	BRACKET, PIVOT	1
39	845	WASHER, FLAT .390X1.25X.119	1
40	710000	BOLT, .562X1.563 HSH 3/8-16	1
41	710140	NUT,3/8-16HWDFLLK MACK (15X84)	1

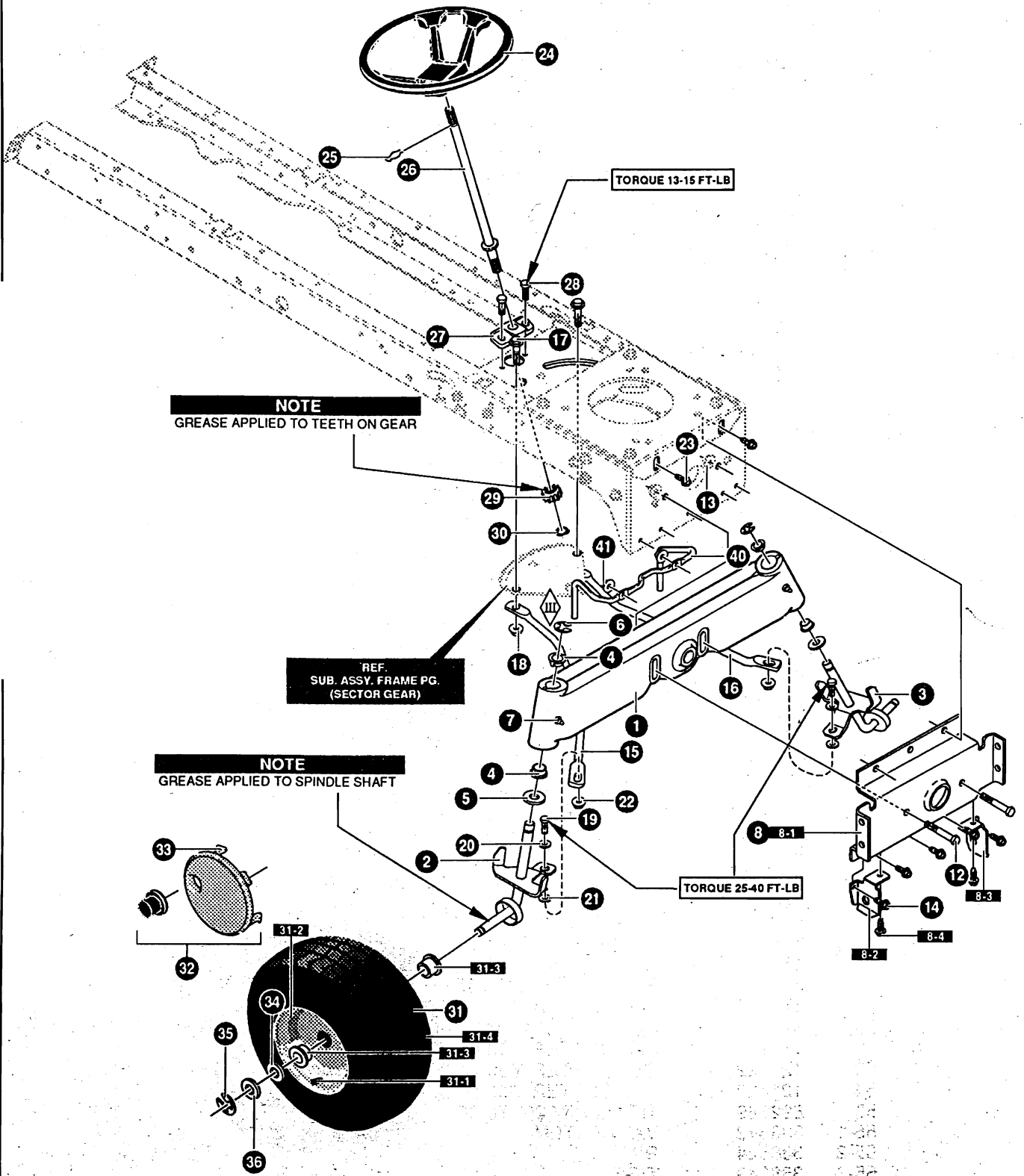


NOTE: ALWAYS USE ORIGINAL EQUIPMENT PARTS.
Use of service/replacement parts other than original
equipment parts may void your warranty.

ALL UNNUMBERED
ITEMS ARE INTERCHANGEABLE
WITH OPPOSITE SIDE

KEY NO.	PART NO.	DESCRIPTION	QTY
1		TRANSAXLE MST206-512A	1
2	180091	SCREW, 5/16-18X2.50	4
3	710205	NUT, 5/16-18 WDFLLK (15X88)	4
4	94620-821	BRACKET, STABILIZER	1
5	710079	SCREW, 5/16-18X.75HHWATAP	1
6	35498	SCREW, 5/16-18X .75 WAHHTAP	1
7	120638	WASHER, HVSPTLK .328X.60X.09	1
9	94227	BRKT, SHIFT REBA FENDER HT	1
10	57157	WASHER, .750X.250 SP-TRANSAXLE	1
11	56255	SCREW, 1/4-28X .75 NYL	1
12	2307	WASHER, FLAT .375X .88X.125	1
13	120394	WASHER, FLAT .406X .81X.065	1
14	996425	WASHER, FLAT .515X.88X.064	4
15	56180	PIN, HAIR .53DIAX1.62LG	1
16	94242	SHIFT LEVER, MST GEAR DRIVE	1
17	21920	NUT, ADJ. 3/8-16TAP	1
18	92698	GRIP, BLACK VINYL	1
19	95424	SPRING, BRAKE 35.00	1
20	35214	WASHER, FLAT .328X1.06X.062	1
21	94573	ROD, CLUTCH	1
22	49332	PIN, CLEVIS .375DX.81LG	1
23	94045	LATCH, PARK BRAKE	1
24	21544	PEDAL, BRAKE/CLUTCH STD NLT	1
25	35410	SPRING .071 X .62 X 4.37	1
26	710139	SPRING, TENS .09X . X5.	1
27	1502	NUT, 1/4-20 REGHEXCTRLK	1
28	22053	RING, RETEX .58X.035TRU5100-62	1
29	94571	PULLEY, 9.0 OD V4L T/A	1
30	50795	KEY, HI-PRO 606 .75DIAX.187WD	1
31	710082	SCREW, 3/8-16X1.5 HHCFLTHR5	1
32	52928	KEY, SQUARE .187SQX2.25LG	2
33	35374	PULLEY, IDLER V4L 3.06X .62	1
34	95423	SPACER, SHOULDER	1
35	94238-821	ASSY, IDLER ARM TRACTION	1
36	310088	BOLT, .250X .312 HSH 1/4-20	1
37	642	WASHER, FLAT .755X1.31X.075	6
38	180124	SCREW, 3/8-16X1.25	1
39	95418	SPACER, .87 X 1.25 WHEEL	2
40	91179	PULLEY	1
41	45905	NUT, 3/8-16 HWDFLLK MACK	1
42	94608	BELT, V 4L 114.12	1
43	35374	PULLEY, IDLER V4L 3.06X .62	1
44	94152	PARK BRAKE CONTROL ROD	1
45	710059	NUT, 5/16-18X3/8 ADJUSTING	1
46	94570	ROD, SHIFT LINK	1
47	95419	SPACER, .87 X 2.25 WHEEL	1
48	36625	RING, RETEX .57X.05TRU5133-75	2
49	56180	PIN, HAIR .53DIAX1.62LG	1
50	8260	PIN, HAIR .091 DIA X1.66LG	1
51	121222	PIN, COTTER .090 DIA X .75LG	1
53	121222	PIN, COTTER .090 DIA X .75LG	1
54	121222	PIN, COTTER .090 DIA X .75LG	1
55	692289	TIRE & RIM 20" TURF	2
55-1	338512	VALVE STEM	1
55-2	338524	RIM	1
55-3	338549	TIRE	1
58	335980	CAP, DUMP VALVE ROD.25IDX.75	1
60	120394	WASHER, FLAT .406X .81X.065	1
61	20619	SCREW GUIDE 5/16-18	1
62	710204	NUT, 5/16-18 HEXWDFLLK WHIZ	1
63	180016	SCREW, 1/4-20X.50	1
64	57569	RETAINER, WIRE	1
65	51335	NUT, 1/4-20 WHIZ-LOCK	1

* CONTACT YOUR NEAREST TRANSAXLE DEALER FOR PARTS AND SERVICE.

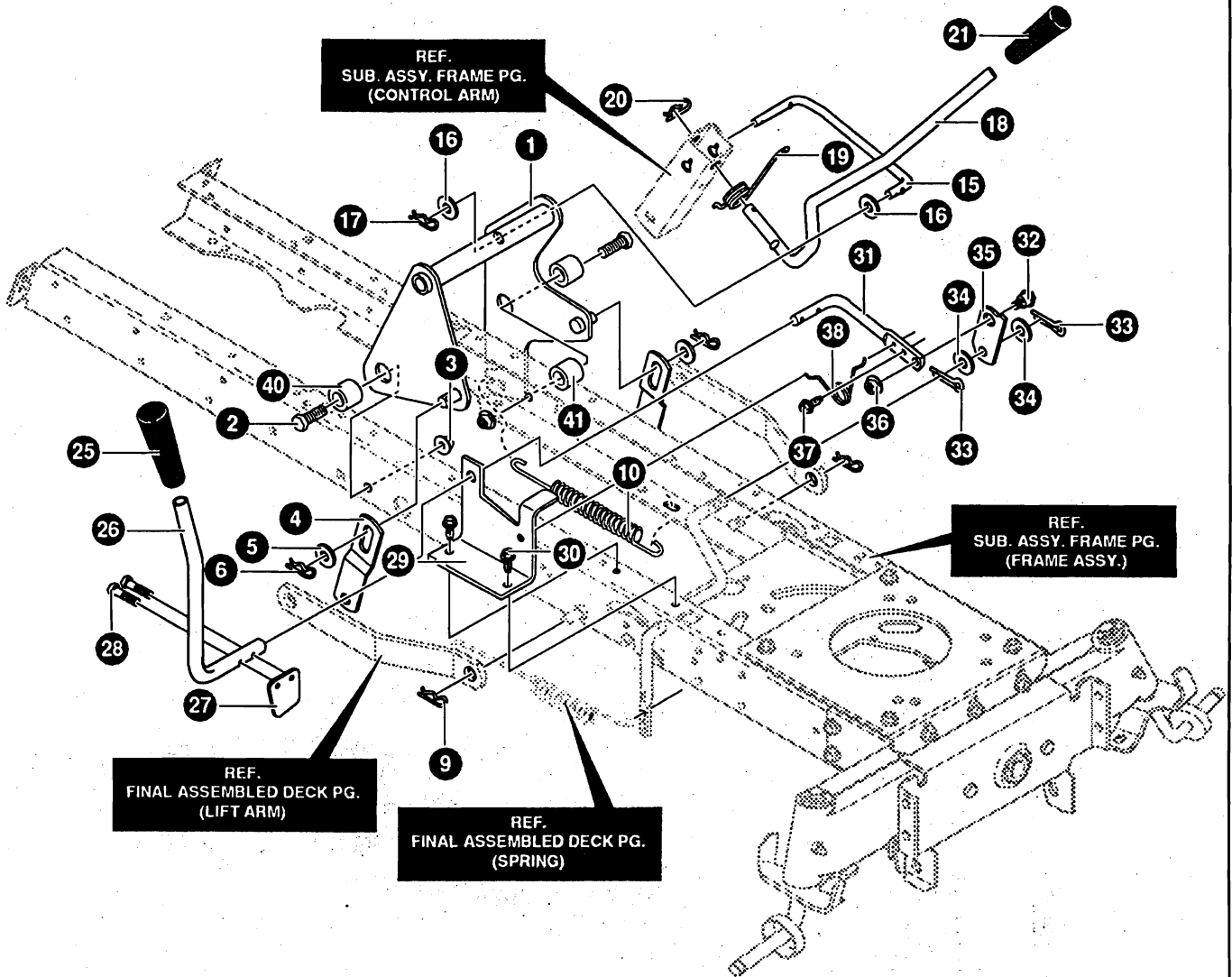


NOTE: ALWAYS USE ORIGINAL EQUIPMENT PARTS. Use of service/replacement parts other than original equipment parts may void your warranty.

ALL UNNUMBERED ITEMS ARE INTERCHANGEABLE WITH OPPOSITE SIDE

340597A

KEY NO.	PART NO.	DESCRIPTION	QTY
1	95405-821	AXLE, CAST MACHINED	1
2	94178-821	SPINDLE,RH MO#94178	1
2-1	94014	SPINDLE, AXLE	1
2-2	94125	ARM, STEERING RH	1
2-3	623168	DUST CUP	1
3	94179-821	SPINDLE LH,WELD ASSEMBLY	1
3-1	94014	SPINDLE, AXLE	1
3-2	94126	ARM, STEERING LH	1
3-3	623168	DUST CUP	1
3-4	92527	BEARING, SPINDLE	4
5	710129	WASHER,.766 ID X 1.62ID 16GA	2
6	710103	E-RING .574IDX.050/.750SH 11X3	2
7	706	ZERK, GREASE FITTING	2
8	341491-821	ASM.FRONT AXLE/DECK HANGER	1
8-1	94007	HANGER, AXLE	1
8-2	94290	HANGER,DECK RH	1
8-3	94289	HANGER,DECK LH	1
8-4	710079	SCREW, 5/16-18X.75HHWATAPSGIBP	2
12	180113	SCREW, 5/16-18X3.00	2
13	710205	NUT, 5/16-18 WDFLLK (15X88) Z	2
14	710079	SCREW, 5/16-18X.75HHWATAPSGIBP	2
15	94020-821	DRAG LINK RH	1
16	94021-821	DRAGLINK, LH	1
17	710440	BOLT,HSSH (9X57)	2
18	710140	NUT,3/8-16HWDFLLK MACK 15X84	2
19	710082	SCREW, 3/8-16X1.5	2
20	710083	WASHER, FLAT .391X1.00X.083	2
21	710142	WASHER, FLAT.406X .81X16GA	2
22	710140	NUT,3/8-16HWDFLLK MACK 15X84 Z	2
23	710079	SCREW, 5/16-18X.75HHWATAPSGIBP	3
24	95441	STEERING WHEEL	1
26	94127	SHAFT, STEERING	1
27	94124	BEARING-LOWER	1
28	710079	SCREW, 5/16-18X.75HHWATAPSGIBP	2
29	94122	GEAR PINNION	1
30	710102	RING, RET E.54ID .59SH (11X25)	1
31	692641	TIRE & RIM	2
31-2	338512	VALVE STEM	
31-4	338517	RIM, CARLISLE	
31-6	338513	BEARING	
31-8	338514	TIRE, 15X6X6	
34	710131	WASHER, FLAT .759ID (340435)	2
35	36625	RETAINING RING	
36	710350	WASHER, FLAT .765X1.62X.065Z	2
40	94310	GUIDE-STACK PULLEY BELT	1
41	45174	NUT, 5/16-18 HEXWDFLLK WHIZ	2

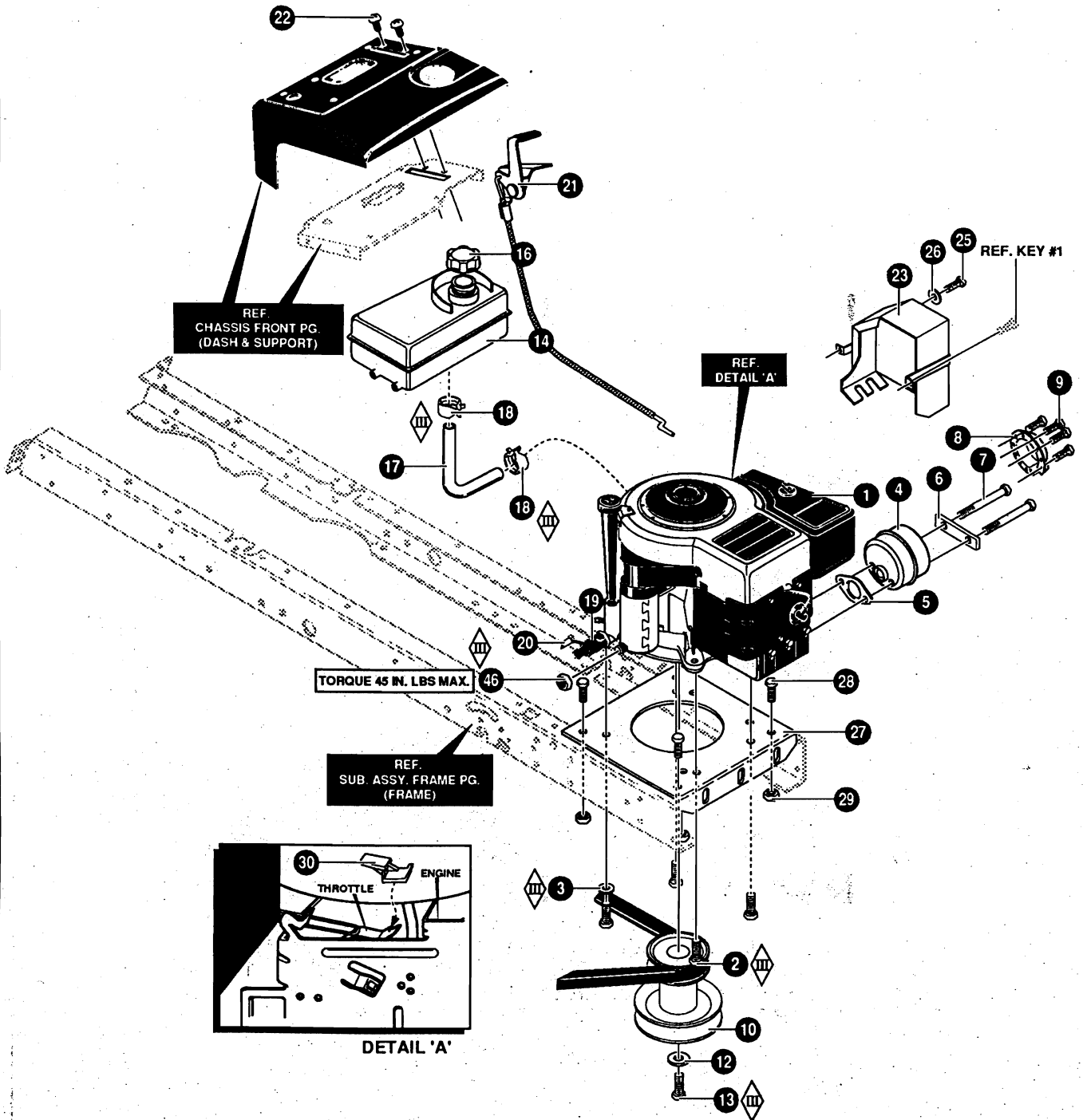


NOTE: ALWAYS USE ORIGINAL EQUIPMENT PARTS.
Use of service/replacement parts other than original
equipment parts may void your warranty.

ALL UNNUMBERED
ITEMS ARE INTERCHANGEABLE
WITH OPPOSITE SIDE

340859C

KEY NO.	PART NO.	DESCRIPTION	QTY
1	94299-821	LIFT ARM WELD ASSEMBLY	1
2	710222	SCREW, 1/2-13X1.50 (1X127)	2
3	710223	NUT, 1/2-13 LOCK (15X41)	2
4	94262-821	BRACKET, LIFT LINK	2
5	710119	FLATWASHER (17X91)	2
6	710108	PIN, HAIR (31X4)	2
9	710108	PIN, HAIR (31X4)	2
10	710235	SPRING, EXTENSION 9.82X1.01OD	1
15	94276	LINK, LIFT HANDLE	1
16	710119	FLATWASHER (17X91)	2
17	8260	PIN, HAIR .091 DIA X 1.66LG	1
18	94029	HANDLE, LIFT	1
19	710111	TORSION SPRING .657LG (166X40)	1
20	710108	PIN, HAIR (31X4)	1
21	94929	GRIP, GREY	1
25	94928	GRIP, GREY	1
26	94828	PTO LEVER	1
27	94022-821	PADDLE, SWITCH	1
28	710137	SCREW, THD FORMING	2
29	94018-821	BRACKET, PTO	1
30	710079	SCREW, 5/16-18X.75HHWATAP	2
31	94017	LEVER, PTO	1
32	710098	BOLT .50X.75 HSSH 3/8-16Z 9X39	1
33	710107	PIN, COTTER .094 DIA. X .75 30X20	2
34	710115	FLATWASHER .518X.87X16 17X102	2
35	94004	LINK PTO ZINC	1
36	710140	NUT, 3/8-16HWD FLLK MACK (15X84)	1
37	710079	SCREW, 5/16-18X.75HHWATAP	1
38	710141	TORISON SPRING .33LG (166X39)	1
40	94309	SPACER .513 ID X .880 OD	2
41	56150	SPACER, SLEV .94X1.13X.531	1

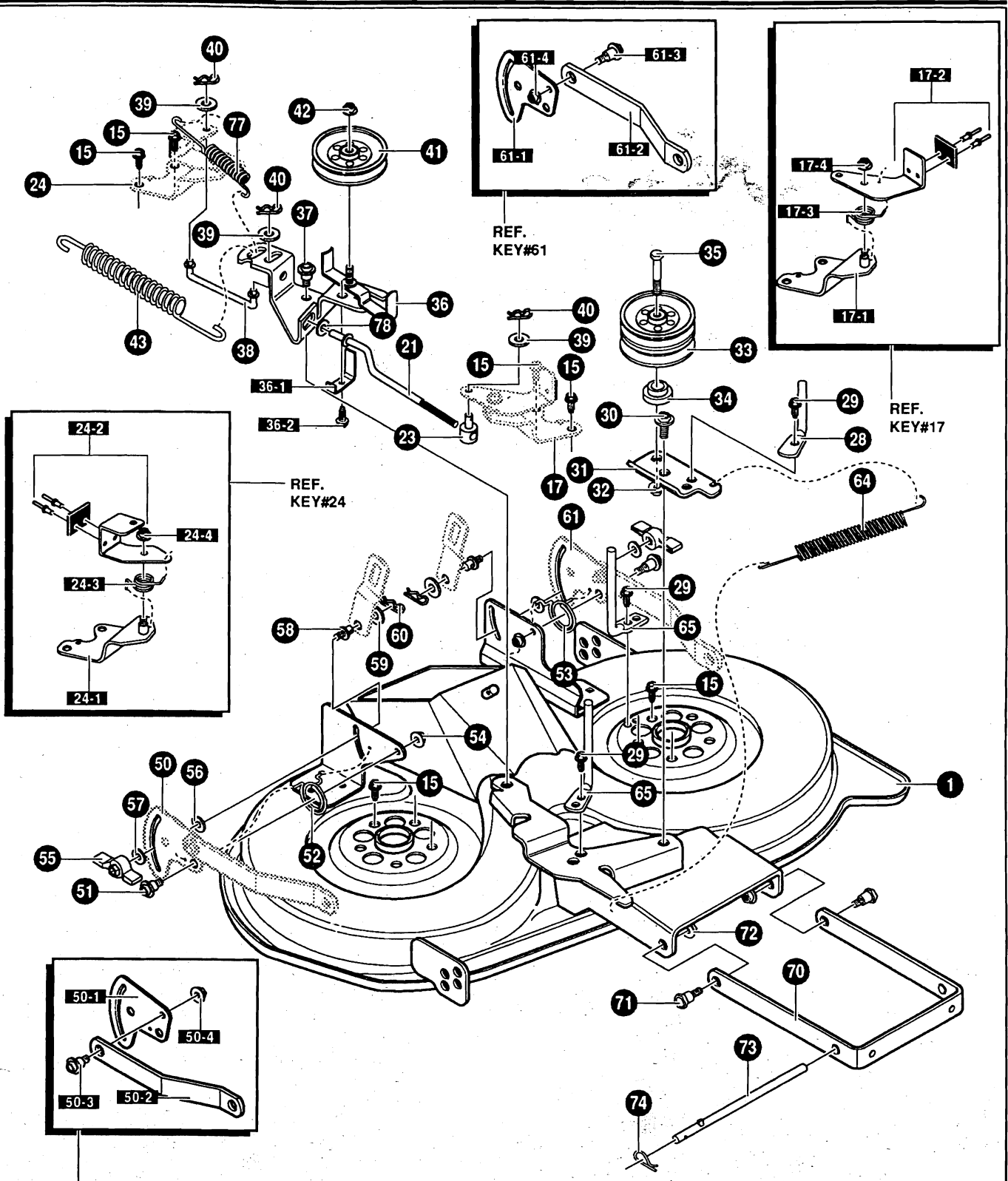


NOTE: ALWAYS USE ORIGINAL EQUIPMENT PARTS. Use of service/replacement parts other than original equipment parts may void your warranty.

ALL UNNUMBERED ITEMS ARE INTERCHANGEABLE WITH OPPOSITE SIDE

341347B

KEY PART NO. NO.	DESCRIPTION	QTY
1	ENGINE 12-12.5HPBS IC DC (SEE ENGINE MANUAL)	1
2	50947 SCREW, 3/8-16X1.25 WAHHTAPBLKP	4
3	138489 WASHER, EXLK .384X.69X.04	1
4	91271 MUFFLER, 12 HP B&S (91271)	1
5	91309 GASKET, MUFFLER	1
6	92378 SCREW, LOCK (92378)	1
7	710244 SCREW, 5/16-18X4.125HHC.87G5BO	2
8	23740 DEFLECTOR, EXHAUST	1
9	710267 SCREW, #8-32X.38HHWATAP BLKZ	4
10	94308 PULLEY, ENGINE 4.89X6.75X5.4OFF	1
12	120383 WASHER, REGSPTLK.459X.78X.12 Z	1
13	433146 SCREW, 7/16-20X4.25 HHC BLK PH	1
14	92342 TANK, FUEL . GALX . CAP	1
16	92317 FUEL CAP	1
17	41007 TUBING, .25X.50X GAS LINE	14.50
18	91174 CLAMP, GAS LINE	2
19	325547 OIL DRAIN VALVE ASSEMBLY	1
20	327422 CAP,OIL DRAIN VALVE ASM.YELLOW	1
21	91989 THROTTLE, CONTROL	1
22	710245 SCREW, #8-16X .38 TRCRTAPABLC	2
23	94877-821 ASSY., SHIELD, HEAT	1
25	710264 SCREW, 1/4-20X .50 WAHHTAP	1
26	710249 WASHER, (18X32)	1
27	94006-821 PLATE, ENGINE	1
28	710079 SCREW, 5/16-18X.75HHWATAPSGIBP	4
29	710205 NUT, 5/16-18 WDFLLK (15X88)	4
30	94951 SPEED REDUCER	1
46	124818 NUT, 1/4-20 REGHXJAM	1

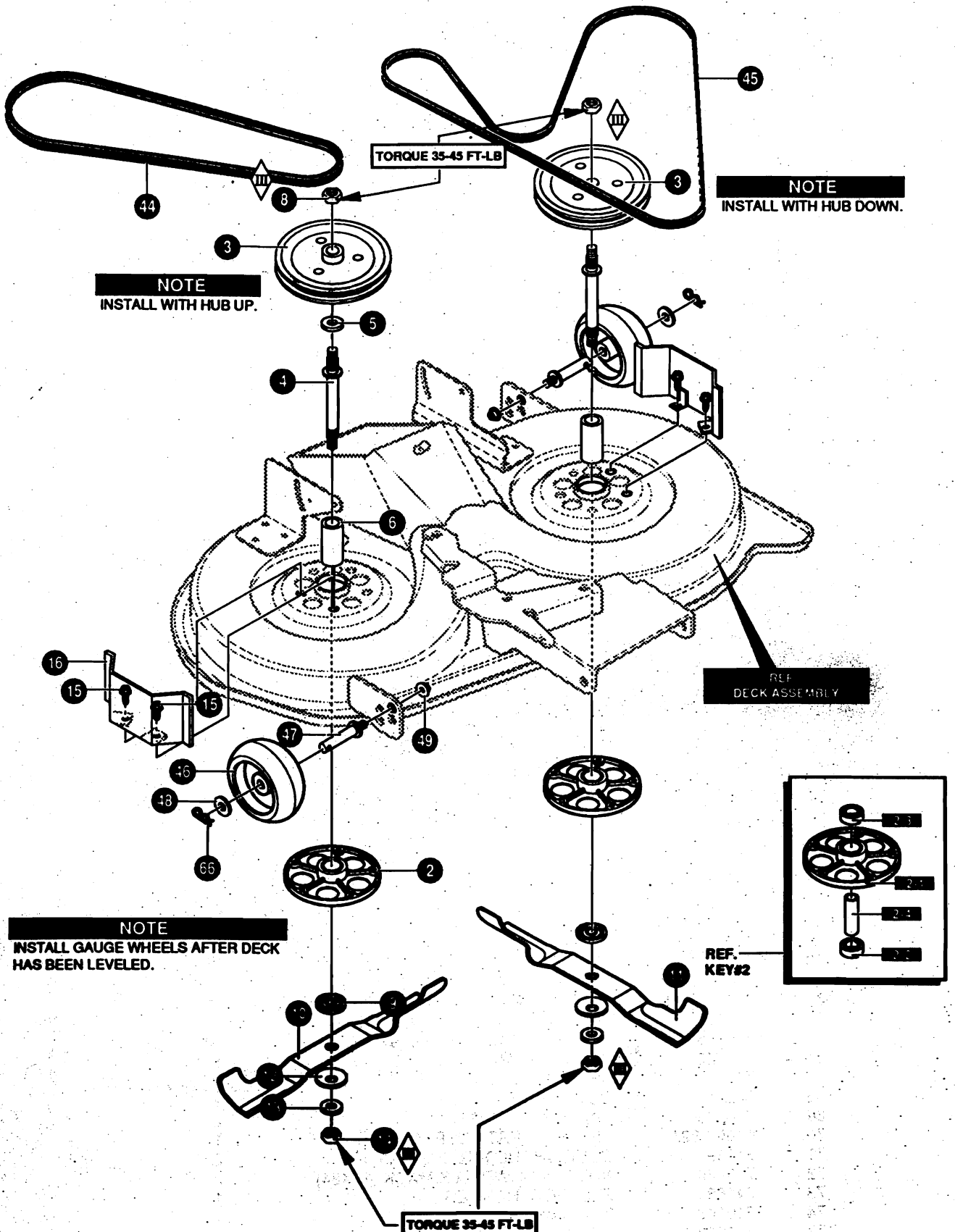


NOTE: ALWAYS USE ORIGINAL EQUIPMENT PARTS. Use of service/replacement parts other than original equipment parts may void your warranty.

ALL UNNUMBERED ITEMS ARE INTERCHANGEABLE WITH OPPOSITE SIDE

340977A

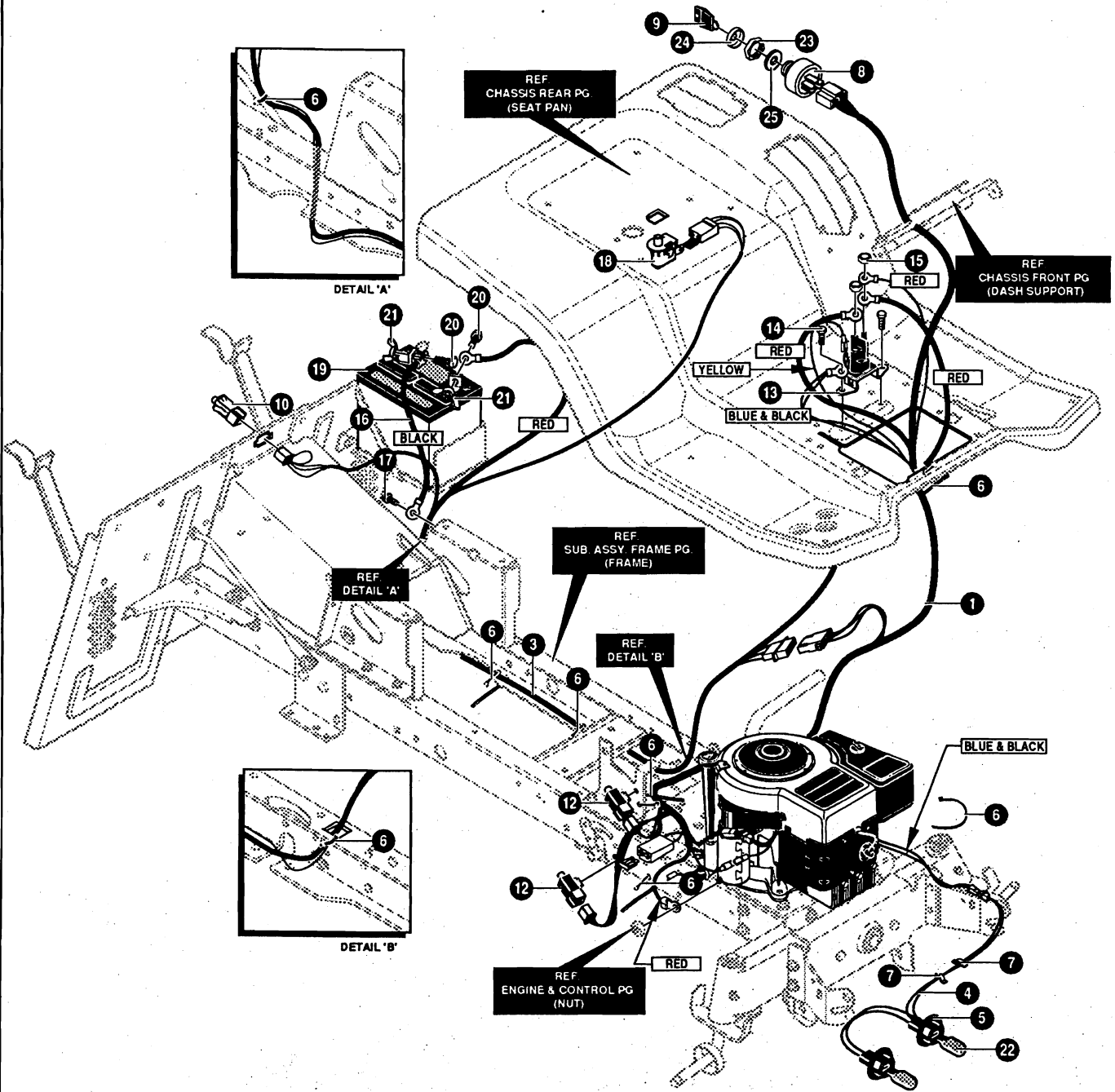
KEY NO.	PART NO.	DESCRIPTION	QTY
1	94303-821	WELD ASSEMBLY DECK	1
15	710265	SCREW, 3/8-16X1.00 WAHHSPTAPPL	10
17	94665-821	BRAKE ARM ASSEMBLY LH	1
17-1	94293	BRAKE SUPPORT ASSEMBLY LH	1
17-2	94291	BRAKE ARM ASSEMBLY LH	1
17-3	710110	SPRING, TORSION (166X27)	1
17-4	710205	NUT, 5/16-18 WDFLLK (15X88)	1
21	94277	LINK, BRAKE LH	1
23	21920	NUT, ADJ. 3/8-16TAP	1
24	94664-821	BRAKE ARM ASSEMBLY RH	1
24-1	94294	BRAKE SUPPORT ASSEMBLY RH	1
24-2	94292	BRAKE ARM ASSEMBLY RH	1
24-3	710077	SPRING, TORSION	1
24-4	710205	NUT, 5/16-18 WDFLLK (15X88)	1
28	94274	GUIDE, BELT REBA	1
29	710114	SCREW, 5/16-18 .50HHTAP	3
30	710098	BOLT, .50X.75 HSH 3/8-16Z 9X39	1
31	94261-821	ARM, DOUBLE IDLER	1
32	710140	NUT, 3/8-16HWDFLLK MACK 15X84	1
33	94279	PULLEY, IDLER DOUBLE VEE	1
34	94269	SPACER, REBA DECK	1
35	180138	SCREW, 3/8-16X3.00 HHC	1
36	94973-821	IDLER ARM ASSEMBLY	1
36-1	94312	SPRING, -GUIDE BELT	1
36-2	710264	SCREW, 1/4-20X.50 WAHHTAP	1
37	710098	BOLT, .50X.75 HSH 3/8-16Z 9X39	1
38	94278	LINK, BRAKE RH	1
39	316079	WASHER, FLAT .406X .82X.040	1
40	8260	PIN, HAIR .091 DIAX1.66LG	3
41	94280	PULLEY, V IDLER 4"	1
42	710140	NUT, 3/8-16HWDFLLK MACK 15X84	1
43	710234	SPRING, EXTN 5.40X.714OD	1
50	341593-821	PLATE - SUSPENSION ASSY	1
50-1	94128	PLATE - SUSPENSION	1
50-2	94055	SUSPENSION BRKT REAR	1
50-3	710095	SHOULDER BOLT 3/8-16 (9X52)	1
50-4	710140	NUT, 3/8-16 MACK (15X84)	1
51	710094	BOLT, SHOULDER .375 (9X51)	2
52	710112	SPRING, TORSION .68LG RH (166X42)	1
53	710113	SPRING, TORSION .68LG LH (166X43)	1
54	710140	NUT, 3/8-16HWDFLLK MACK (15X84)	2
55	94068	KNOB	2
56	94137	PAD, FRICTION	2
57	710195	WASHER (17X45)	2
58	94064	PIN, HANGER	2
59	710116	WASHER, FLAT.550X1.00X11 (17X103)	2
60	710108	PIN, HAIR (31X4)	2
61	341594	ASM. PLATE REAR SUS BRKT LH	1
61-1	94128	PLATE - SUSPENSION	1
61-2	94055	SUSPENSION BRKT REAR	1
61-3	710095	SHOULDER BOLT 3/8-16 (9X52)	1
61-4	710140	NUT, 3/8-16 MACK (15X84)	1
64	710233	SPRING, EXTN 4.20X.75OD	1
65	94275	GUIDE BELT	2
66	710108	PIN, HAIR (31X4)	2
70	94058-821	BRACKET, FRT SUSPENSION	1
71	710094	BOLT, SHOULDER .375 (9X51)	2
72	710140	NUT, 3/8-16HWDFLLK MACK (15X84)	2
73	94158	ZINC ROD, HANGER	1
74	710108	PIN, HAIR (31X4)	1
77	710658	SPRING, EXTENSION	1
78	996416	WASHER, FLAT .391X1.00X.125	1



NOTE: ALWAYS USE ORIGINAL EQUIPMENT PARTS.
Use of service/replacement parts other than original equipment parts may void your warranty.

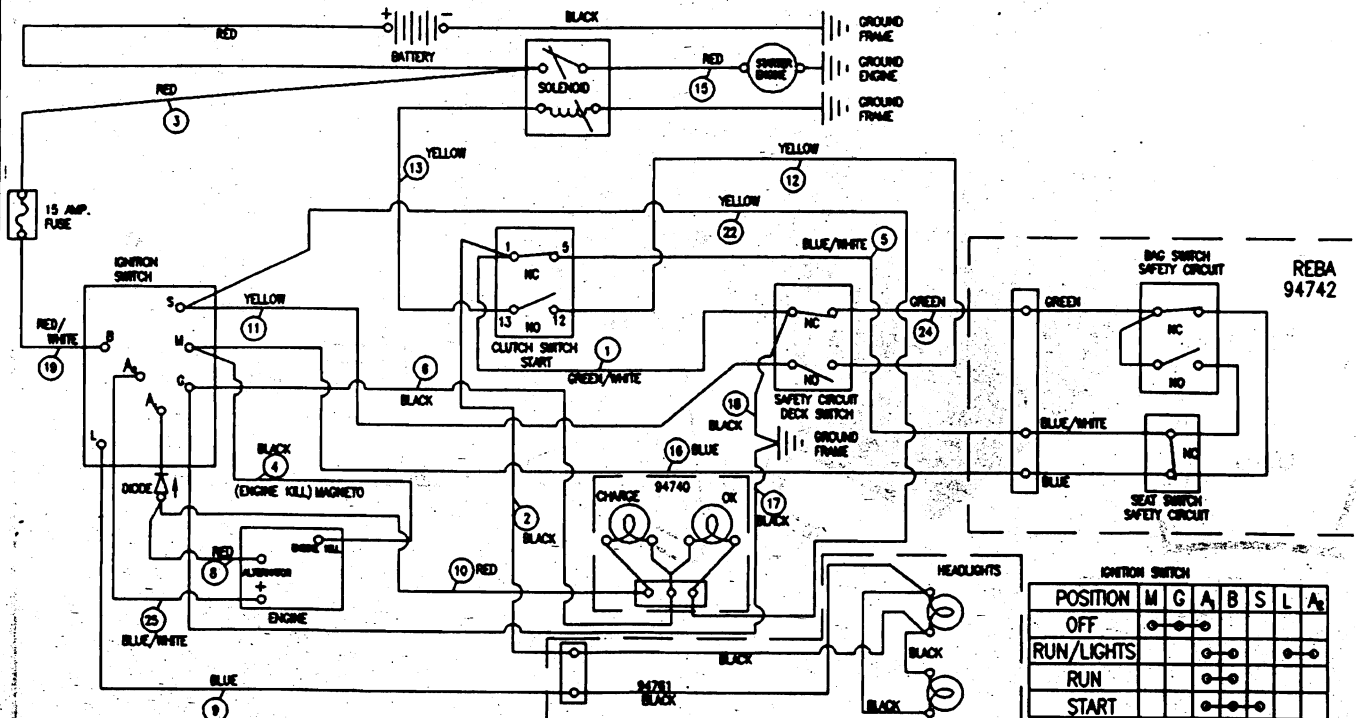
ALL UNNUMBERED ITEMS ARE INTERCHANGEABLE WITH OPPOSITE SIDE

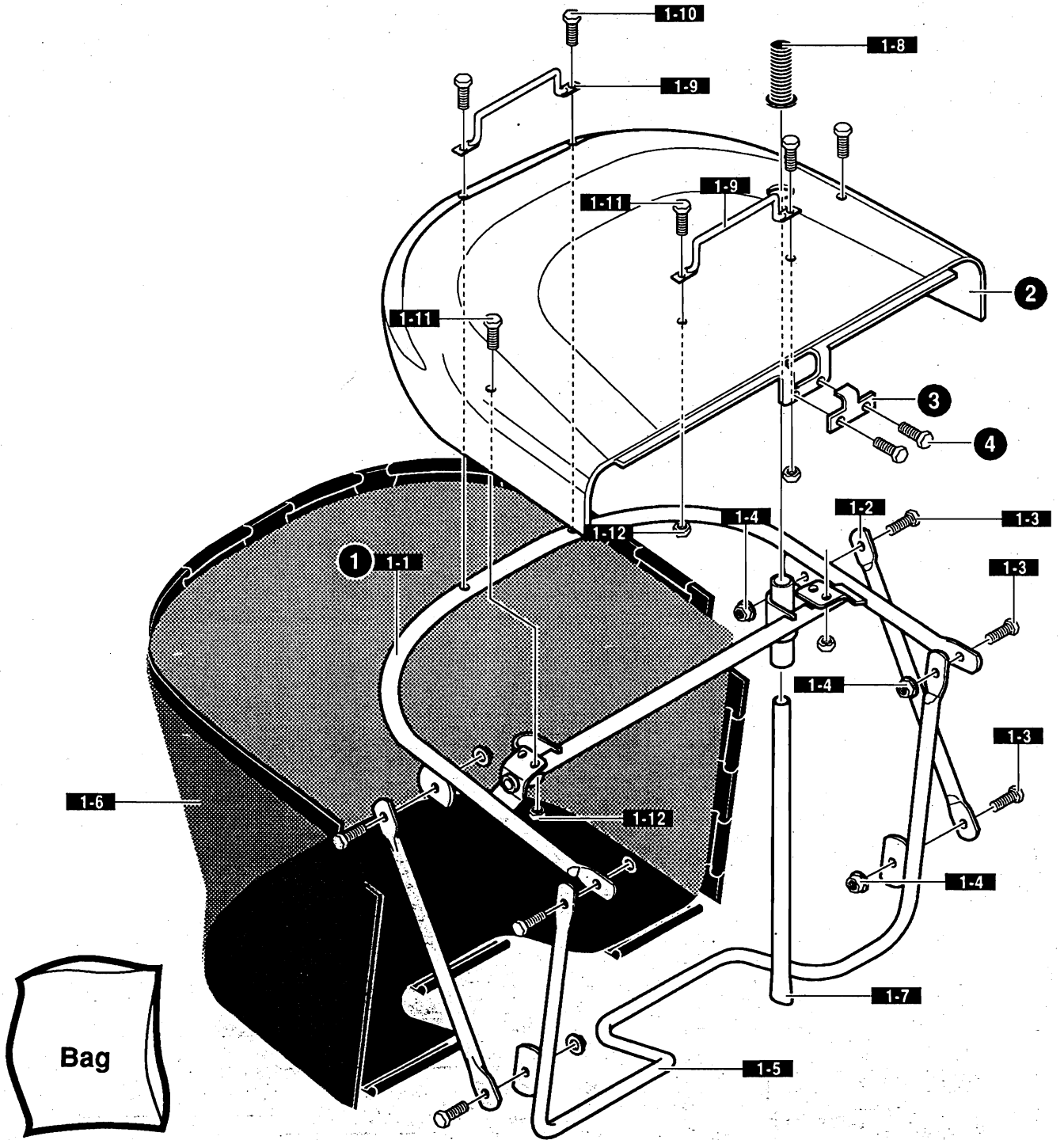
KEY NO.	PART NO.	DESCRIPTION	QTY
2	94305	ASM.JACKSHAFT HOUSING W/VENTS	2
2-1	94282	HOUSING, JACKSHAFT	1
2-2	92282	BRNG, LOWER JACKSHAFT	1
2-3	92281	BRNG, UPPER JACKSHAFT	1
2-4	90904	SPACER, REBA JACKSHAFT	1
3	92425	PULLEY, DECK REBA	2
4	91922	JACKSHAFT, 7.76LG-9/16-18TH	2
5	710117	WASHER,FLAT .625X1.00X.188	1
6	91903	SPACER	2
8	710408	NUT, 9/16-18 CTLK (15X101)	2
9	94207	ADAPTER, DECK/BLADE	2
10	94208	BLADE, 40" RH REAR DISCHARGE	1
11	94209	BLADE, 40" LH REAR DISCHARGE	1
12	710118	WASHER, FLAT.625X1.75 17X166	2
13	710117	WASHER,FLAT .625X1.00X.188	2
14	710104	NUT, 9/16 REGHEX (15X100)	2
15	710265	SCREW, 3/8-16X1.00 WAHHSPTAPPL	10
16	94288-821	COVER PULLEY	2
44	710231	BELT, V	1
45	710232	BELT, V- 40" DECK	1
46	92683	GAUGE WHEEL,4.94 DIA.	2
47	94025	BOLT, SPSH 3/8-16X.63SH3.00LG	2
48	710115	WASH ER,FLAT.518X.87X16 17X102	2
49	710140	NUT,3/8-16HWDFLLK MACK 15X84	2



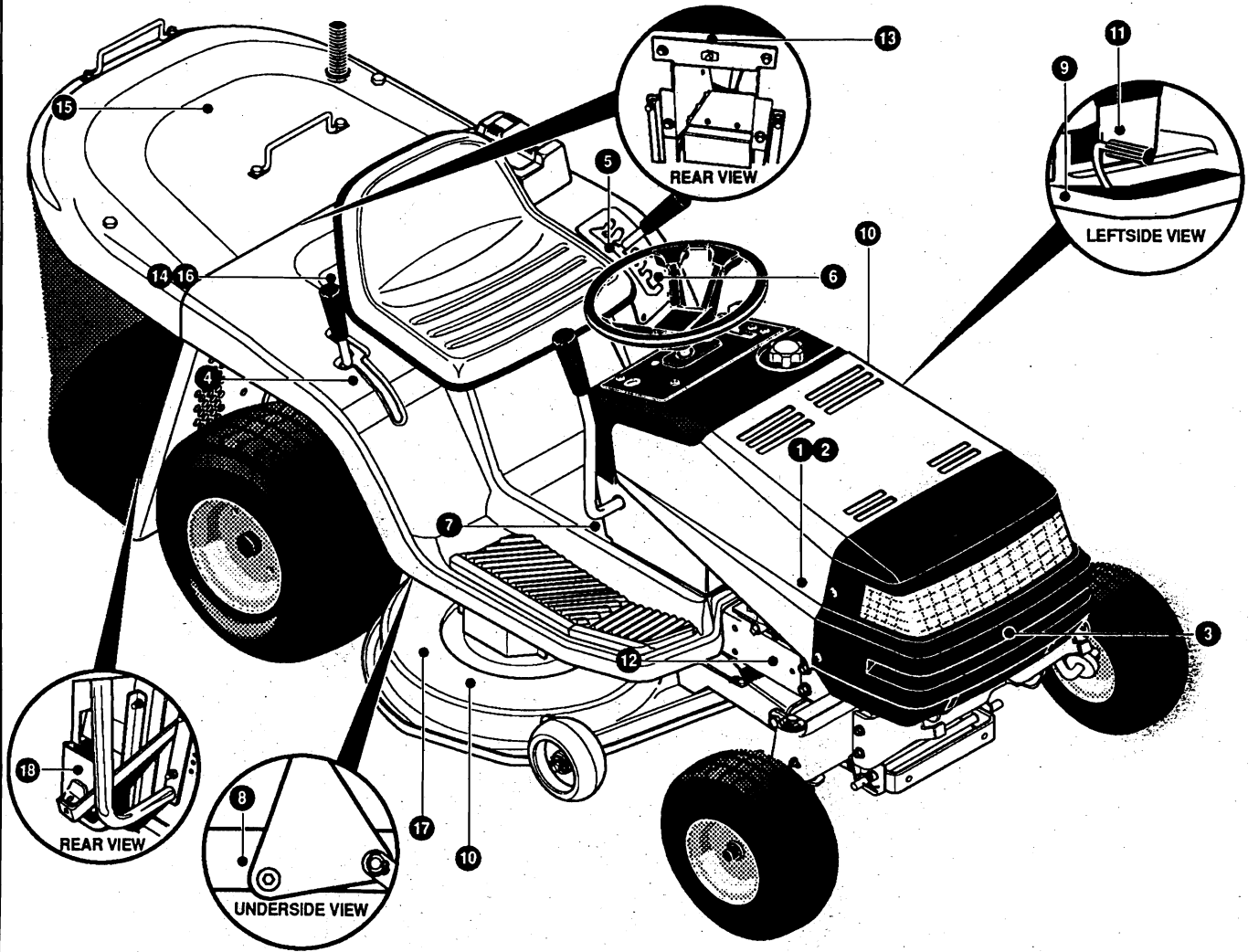
KEY NO.	PART NO.	DESCRIPTION	QTY
1	94751	HARNES 12.5B&S	1
3	94742	HARNES, REAR-BATTERY	1
4	94780	WIRE ASSEMBLY, HEADLIGHT	1
5	92372	SOCKET	2
6	57444	TIE, CABLE BLACK NYLON 5.62L	5
7	41482	PRESS CLIP, 1.380LG .255ID	2
8	94878	SWITCH, IGNITION DELTA 7 TERM	1
9	327350	KEY,IGNITION	1
10	320082	SWITCH,DOUBLE POLE NO/NC GRAY	1
12	94136	SWITCH LIMIT DELTA 6400-84	2
13	94613	SOLENOID	1
14	710133	SCREW,HHWATAP 1/4X.50 Z REV*BH	2
15	710203	NUT, 1/4-20 HEXNYL 15X116	2
16	95420	WIRE, GROUND, 20.0"	1
17	710133	SCREW,HHWATAP 1/4X.50 Z REV*BH	1
18	94159	SWITCH, SEAT	1
19	302257	BATTERY, 12 VOLT7 PLATE	1
20	710226	BOLT,1/4-20X.63CAR (2X82)	2
21	710225	NUT, WING 1/4-20 NC (14X79)	2
22	90084	BULB, LIGHT MO 90084	2
23	327352	NUT, 5/8-8 ACME DELTA FOR BOOT	1
24	300194	BOOT, IGN SWITCH	1
25	138557	WASHER, REGINTLK .640X1.1X.05	1

WIRING SCHEMATIC





KEY NO.	PART NO.	DESCRIPTION	QTY
1	94560	ASM.GRASS COLLECTOR REBA	1
1-1	94849	ASSY., UPPER FRAME	1
1-2	94850	BRACE, FRAME COLLECTOR	2
1-3	180020	SCREW, 1/4-20X.75	6
1-4	1502	NUT, 1/4-20 REGHEXCTRLK	6
1-5	94851	ASSY., FRONT FRAME COLLECT	1
1-6	94852	BAG, REBA COLLECTOR	1
1-7	94853	HANDLE, DUMP REBA COLLECT.	1
1-8	94854	RUBBER GRIP 7/8" REBA	1
1-9	94855	HANDLE, REBA COLLECTOR	2
1-10	710266	SCREW, 10-24X.38 SLHWATAP	2
1-11	710266	SCREW, 10-24X.38 SLHWATAP	4
1-12	308459	NUT, #10-24 HXHDNYLK	4
2	94908-860	TOP COVER, COLLECTOR REBA	1
3	94244	BRACKET, SWITCH	1



KEY NO.	PART NO.	DESCRIPTION	QTY
1	710670	DECAL, SENTINEL 125I/C RT HOOD	1
2	710671	DECAL, SENTINEL 125I/C LH HOOD	1
3	710672	DECAL, SENTINEL FRONT GRILLE	1
4	710558	DECAL, SHIFTER 6-SP REBA	1
5	710517	DECAL, HEIGHT ADJUST 6-POS.	1
6	710683	DECAL, DECK LEVEL REBA/NLT EXP	1
7	710534	DECAL, CONS CAUT. M#44X6815 97	1
8	710523	DECAL, PINCH POINTS WARNING	2
9	710678	DECAL, CLUTCH/BRAKE	1
10	402700	DECAL, CAUTION DECK LH	2
11	402702	DECAL, BRAKE/CLUTCH PICTOGRAM	1
12	338543	DECAL, HOT SURF WARN M#44X5936	1
13	338541	DECAL, BAGGER "CE" M#44X5939	1
14	-	NOT A SERVICEABLE PART	1
15	710673	DECAL, SENTINEL W/LOGO	1
16	318010	DECAL, TUV GS MO 44X2929	1
17	710684	DECAL, DECK BELT ROUTE REBA	1
18	338542	DECAL, DRAWBAR WARN M#44X6138	1