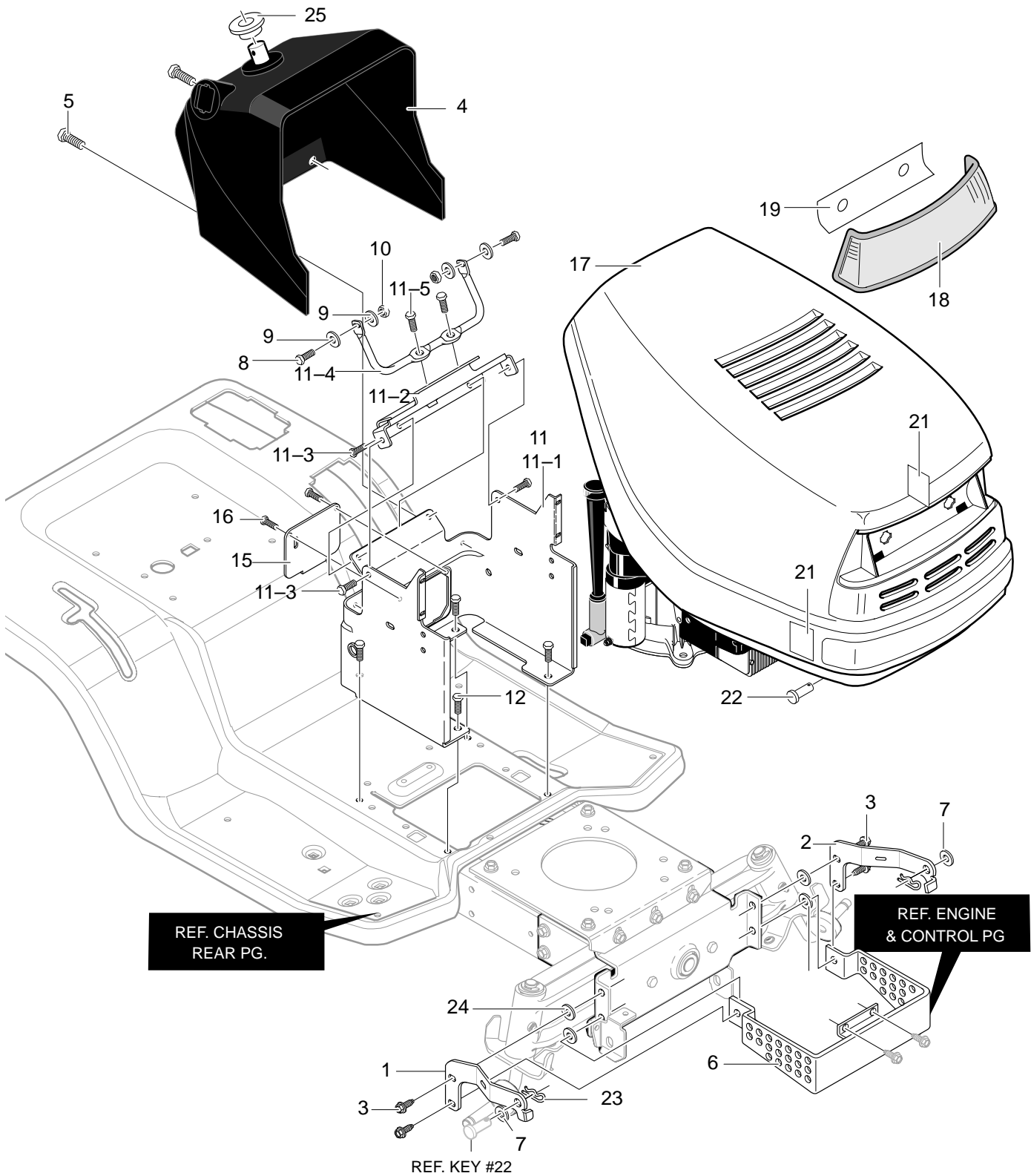


# MODEL 38518x58C

# REPAIR PARTS CHASSIS & HOOD ASSEMBLY

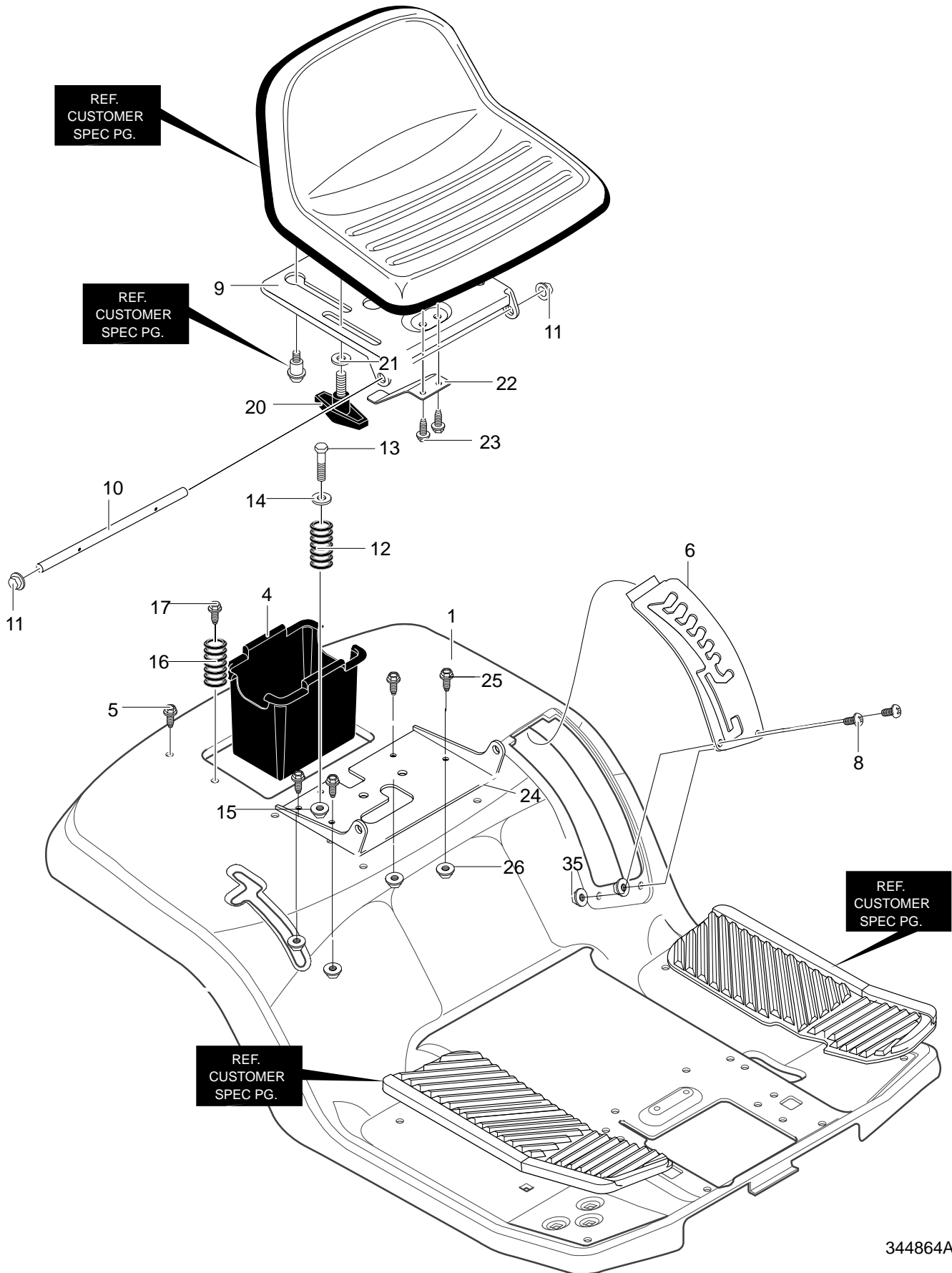


344695A

# MODEL 38518x58C

# REPAIR PARTS CHASSIS & HOOD ASSEMBLY

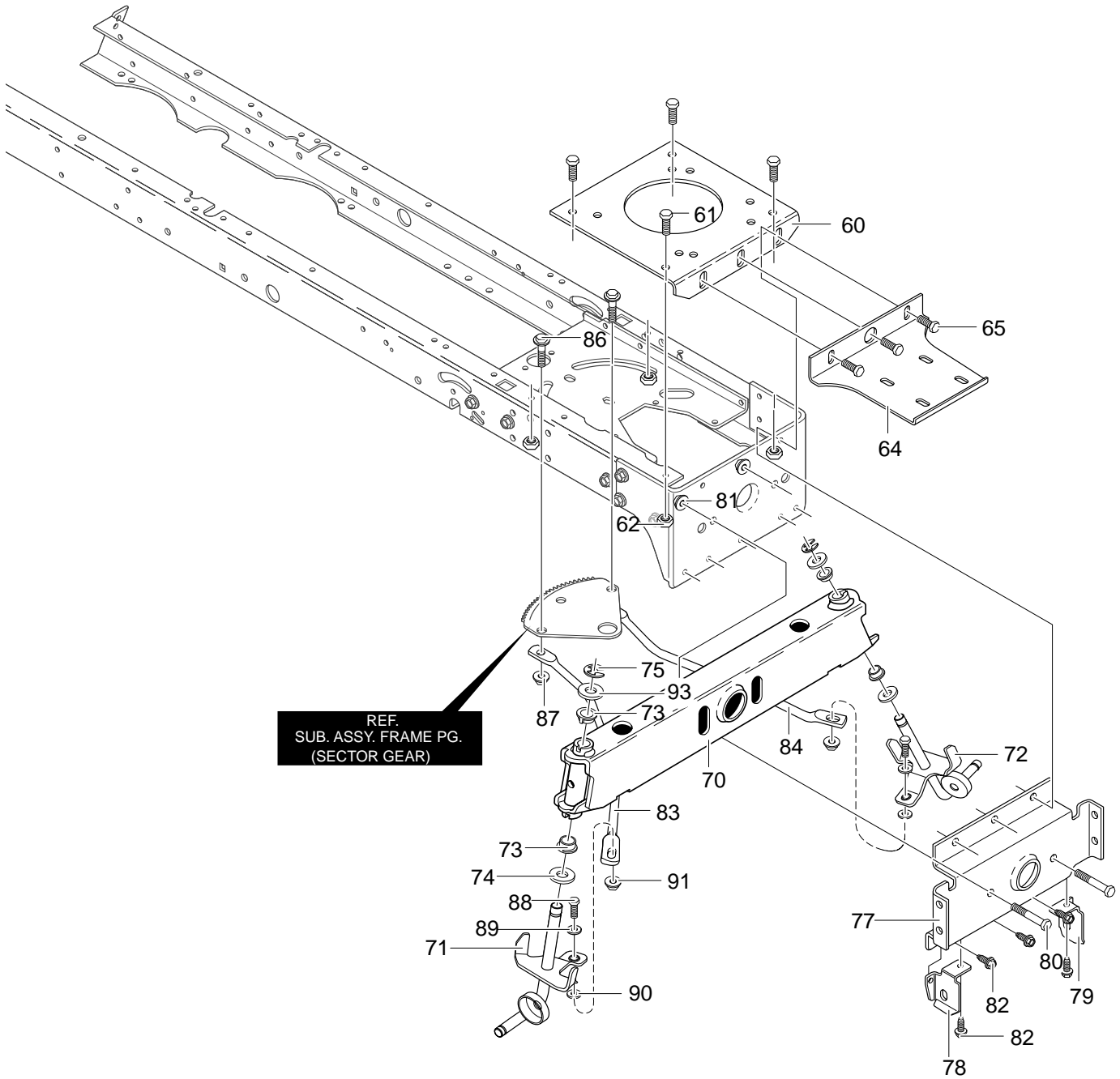
<b>Key No.</b>	<b>Description</b>	<b>Part No.</b>	<b>Key No.</b>	<b>Description</b>	<b>Part No.</b>
1	Bracket, Hood RH	95432-821	11-4	Rod, Dash Brace	95406
2	Bracket, Hood LH	95433-821	11-5	Screw, 1/4-20x.50	710264
3	Screw, 5/16-18x.75	711606	12	Screw, 10-24x.50	711606
4	Dash	690630	15	Panel, Access	94638-860
5	Screw, 1/4-14x.75	711762	16	Screw, 10-24x.50	711629
6	Heat Shield Guard	95195-821	17	Hood	328278
7	Washer, Flat Insulate	712480	18	Lens, Headlamp	302670
8	Screw, 1/4-20x.75	302628	19	Foil, Lens	308492
9	Washer, Flat .286x.63x.065	71067	21	Foil, Heat Reflector	301452
10	Nut, 1/4-20 Reghexctrlk	73826	22	Pin, Clevis	711856
11	Assembly, Lower Console	341569-860	23	Hair Pin	711682
11-1	Tower, Lower Dash	95425	24	Washer, Plastic	6711
11-2	Support, Steering	95426	25	Bushing, Steering Shaft	95404
11-3	Screw, 1/4-20x.50	710264	—	Instruction Book & Parts List	F-010736J



# MODEL 38518x58C

# REPAIR PARTS REAR CHASSIS ASSEMBLY

<b>Key No.</b>	<b>Description</b>	<b>Part No.</b>	<b>Key No.</b>	<b>Description</b>	<b>Part No.</b>
1	Seat Deck, Small	95249-860	15	Nut, 1/4-20	711643
4	Battery Container	690424	16	Comp. Spring	710109-821
5	Screw, 1/4-20x.63	711642	17	Screw, 5/16-18x.75	711606
6	Plate, Lift Detent	94829-821	20	Wing Bolt 5/16-18x.50	711747
8	Screw, 10-24x.500	711629	21	Flat washer	711644
9	Seat Support	94154-860	22	Spring-Leaf	94057
10	Hing,e Seat Pivot	95294	23	Screw, 1/4-20x.50	711592
11	Push Cap Nut	711627	24	Pivot Seat Bracket	94153-860
12	Comp. Spring	710136-821	25	Screw, 5/16-18x.75	711606
13	Shoulder Bolt, 1/4-20	711610	26	Nut, 5/16-18 Wdfllk	711634
14	Washer Cup	95293	35	Nut, #10-24 Locknut	711842



REF.  
SUB. ASSY. FRAME PG.  
(SECTOR GEAR)

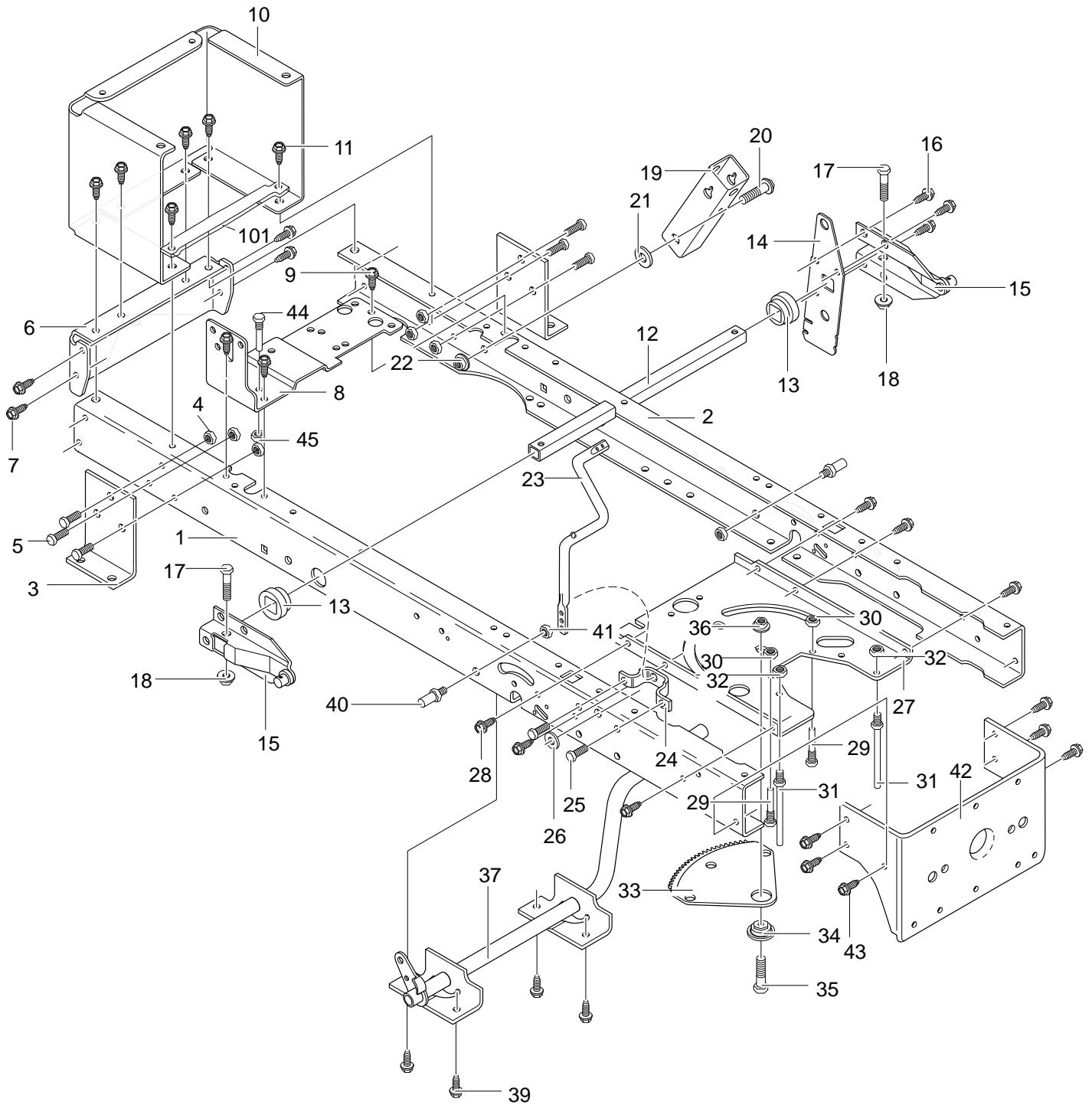
# MODEL 38518x58C

# REPAIR PARTS FRAME ASSEMBLY

Key No.	Description	Part No.	Key No.	Description	Part No.
1	Frame, Rail RH	95110	24	Bracket, Bell Crank	94005
2	Frame, Rail LH	95111	25	Screw, .312-18x.75	26x249
3	Bracket, Transaxle	94008	26	Flat washer	120395
4	Nut, .32-18 Flange Ctrlk	015x88	27	Steering Plate	1001024
5	Screw, .312-18x.75	26x249	28	Screw, .312-18x.75	26x249
6	Plate	1001002	29	Screw Guide 5/16-18	93349
7	Screw, .312-18x.75	26x249	30	Nut, .32-18 Flangelock	015x79
8	Bracket, Shift RH	690166	31	Screw Guide	94066
9	Screw, .312-18x.75	26x249	32	Nut, .32-18 Flangelock	015x79
10	Rear Panel	690434	33	Gear Sector	94121
11	Screw, .312-18x.75	26x249	34	Bearing, Sector Gear	94123
12	Lifter Tube	94063	35	Screw, .312-18x1.00	001x84
13	Bushing, Lift Arm	94065	36	Nut, 5/16 Hkeys	15x113
14	Plate, Lift Arm	94030	37	Asm. Brake Pedal	95075
15	Lever, Lift Arm	94180	39	Screw, .312-18x.75	26x249
16	Screw .31x.50	026x49	40	Pin, Threaded Shoulder	94067
17	Screw, .5/16-21x1.25	001x74	41	Nut, 3/8-16 Hwdfl Whiz	45171
18	Nut, .32-24 Flangelock	15x118	42	Bracket, Hanger Rear	94013
19	Pivot Bracket	94015	43	Screw, .312-18x.75	26x249
20	Bolt, 3/8 HSSH	009x53	44	Screw Guide 5/16-18	93349
21	Flat washer	17x191	45	Nut, .32-18 Flangelock	015x79
22	Nut, .38-16 Flange Ctrlk	015x84	93	Flat washer	17x195
23	PTO Crank	690394	101	Bracket, Battery Support	690482

# MODEL 38518x58C

# REPAIR PARTS FRAME ASSEMBLY



344294B

# MODEL 38518x58C

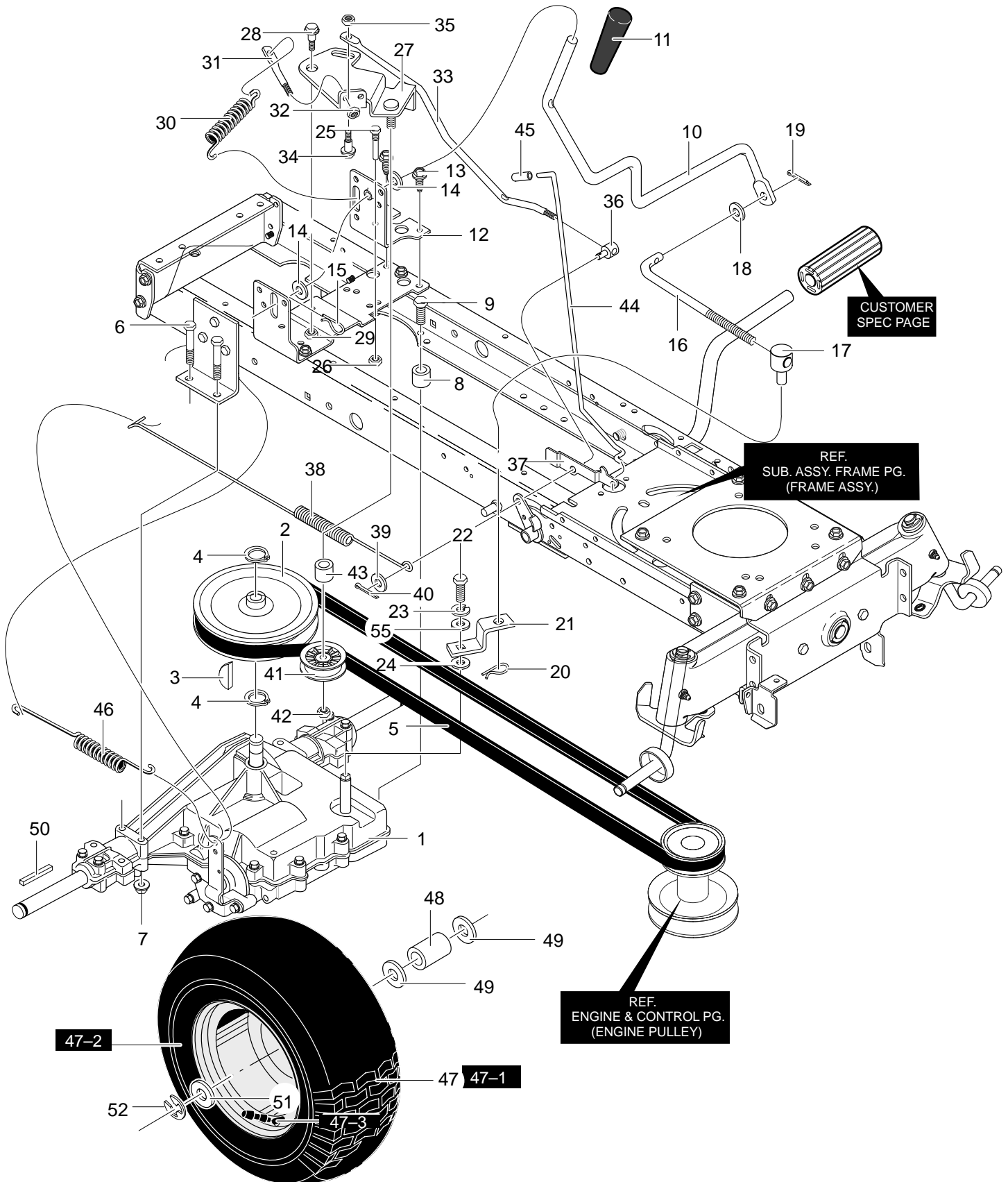
# REPAIR PARTS FRAME ASSEMBLY

<b>Key No.</b>	<b>Description</b>	<b>Part No.</b>	<b>Key No.</b>	<b>Description</b>	<b>Part No.</b>
60	Engine Plate	94006	79	Hanger, Deck LH	94027
61	Screw, .312-18x.75	26x249	80	Screw, 5/16-24X2.75	01x146
62	Nut, 5/16-18	015X88	81	Nut, .32-24 Flangelock	15x118
64	Bracket, Muffler Mount	94901	82	Screw, .5/16-24X2.75	26x249
65	Screw, .312-18x.75	26x249	83	Drag Link, RH	95328
70	Axle, Cast Machined	690210	84	Drag Link, LH	95329
71	Spindle, RH	94178	86	Shoulder Bolt	009x57
72	Spindle, LH	94179	87	Nut, 3/8-16	015x84
73	Bearing, Spindle	690150	88	Screw, 3/8-16x1.50	01x111
74	Washer, .766IDx1.62ID	17x113	89	Flatwasher	17x104
75	E-Ring	0011x3	90	Flatwasher	017x53
77	Hanger, Axle	94007	91	Nut, 3/8-16	015x84
78	Hanger, Deck RH	94026			



# MODEL 38518x58C

# REPAIR PARTS MOTION DRIVE



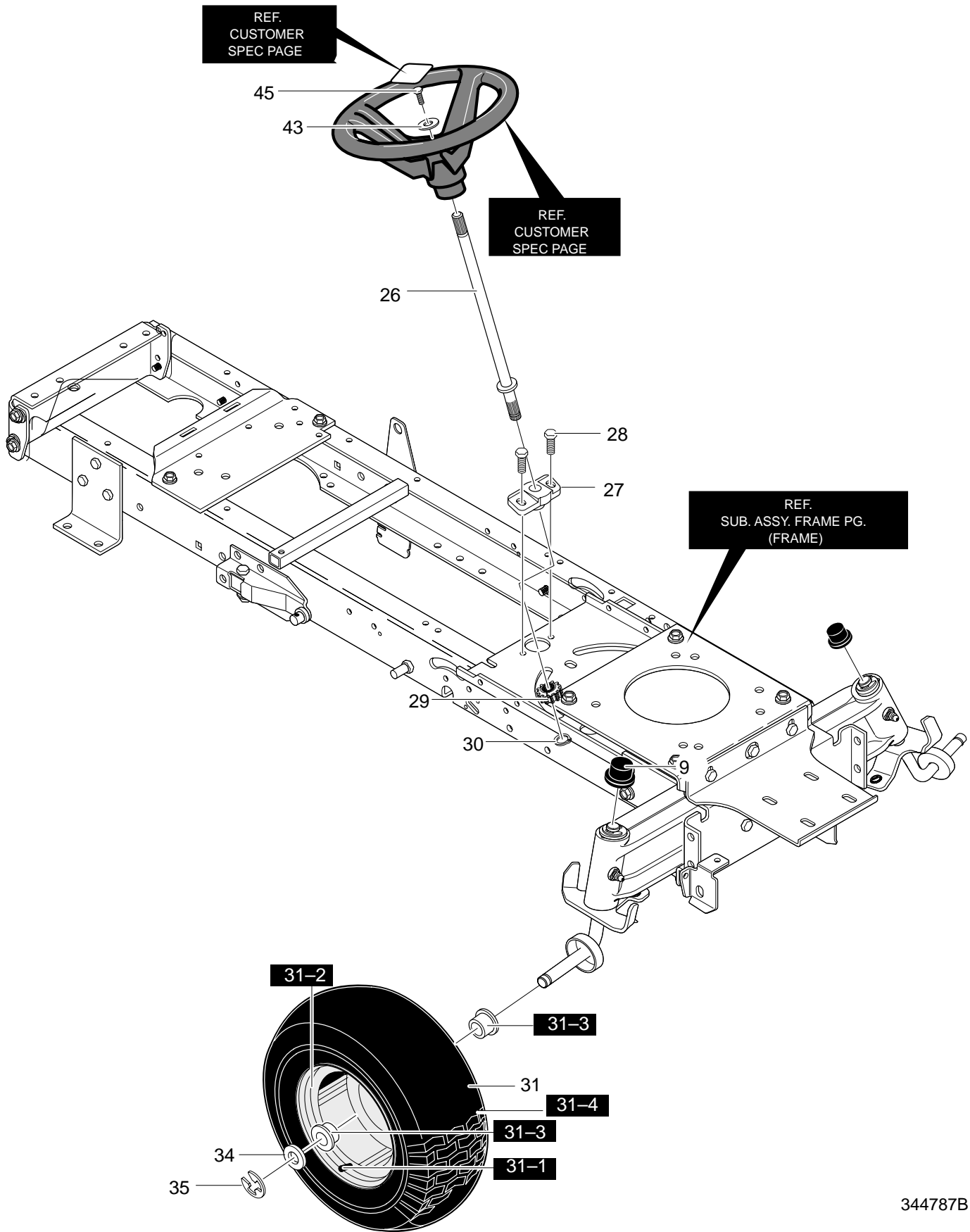
# MODEL 38518x58C

# REPAIR PARTS MOTION DRIVE

Key No.	Description	Part No.	Key No.	Description	Part No.
1	Transaxle, MST205	*	30	Spring, Extension	710334
2	Pulley, 8.81 Dia	95094	31	Stud-Spring	95288
3	Woodruff Key #9	20697	32	Nut, 5/16-18 Hexwdfllk Whiz	710026
4	Ring-Snap	0011x7	33	Rod, Clutch Switch	95287
5	Belt, V	710341	34	Bolt, HSH 1/4-20x.5	711646
6	Screw, 5/16-18x2.50	711669	35	Nut, 1/4-20 Wdfllk	711643
7	Nut, 5/16-18 Wdfllk	711634	36	Nut, Adjusting	711596
8	Spacer, Transaxle	94132	37	Latch, Park Brake	95290
9	Screw, 5.16-18x2.00	711605	38	Extension Spring	710333
10	Shifter Lever	690157	39	Flat washer	711623
11	Grip	94929	40	Cotter Pin	71081
12	Bracket, Shift Pivot	94034-821	41	Idler Pulley	690409
13	Screw, 5/16-18x.75	711606	42	Nut, 3/8-16 Hwdflk Mack	711920
14	Flat washer	711615	43	Spacer 1/2 to 17MM	690369
15	Hair Pin	711676	44	Park Brake Rod	690046
16	Link, Shift	95289	45	Grip	91079
17	Adjusting Nut	711591	46	Spring, Tension	710353
18	Flat washer	711623	47	Tire & Rim	338169
19	Cotter Pin	71081	47-1	Valve Stem	338512
20	Hair Pin	711682	47-2	Rim	338524
21	Yoke-Shift	95286	47-3	Tire	338548
22	Screw, 1/4-28x.75	01x145	48	Spacer .87x1.78	95274
23	Washer	710249	49	Flat washer	711648
24	Washer, .38 SQ	17x148	50	Square Key	21553
25	Screw Guide	711745	51	Flat washer	711758
26	Nut, 5/16-18 Hexwdfllk	710026	52	E Ring	0011x3
27	Assembly, Idler Arm	690173-821	55	Flat washer	710657
28	Bolt, HSH 3/8-16	711613		Hubcap	094618
29	Nut, 3/8-16 Hwdflk Mack	711622			

\* Contact your nearest transaxle dealer for parts and service.

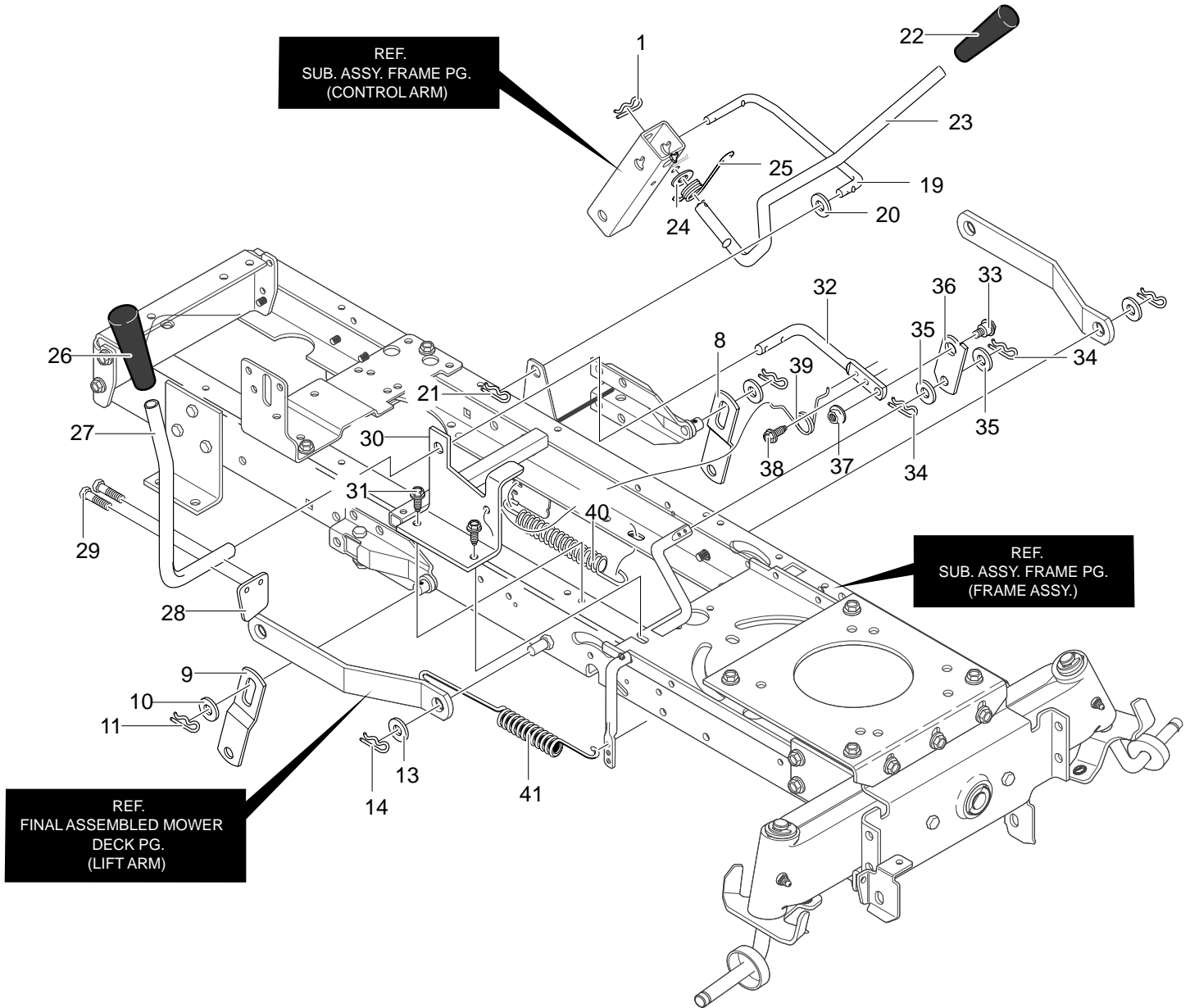
For information on Replacement Parts see the Central Parts Distributor in your area.



# MODEL 38518x58C

# REPAIR PARTS STEERING

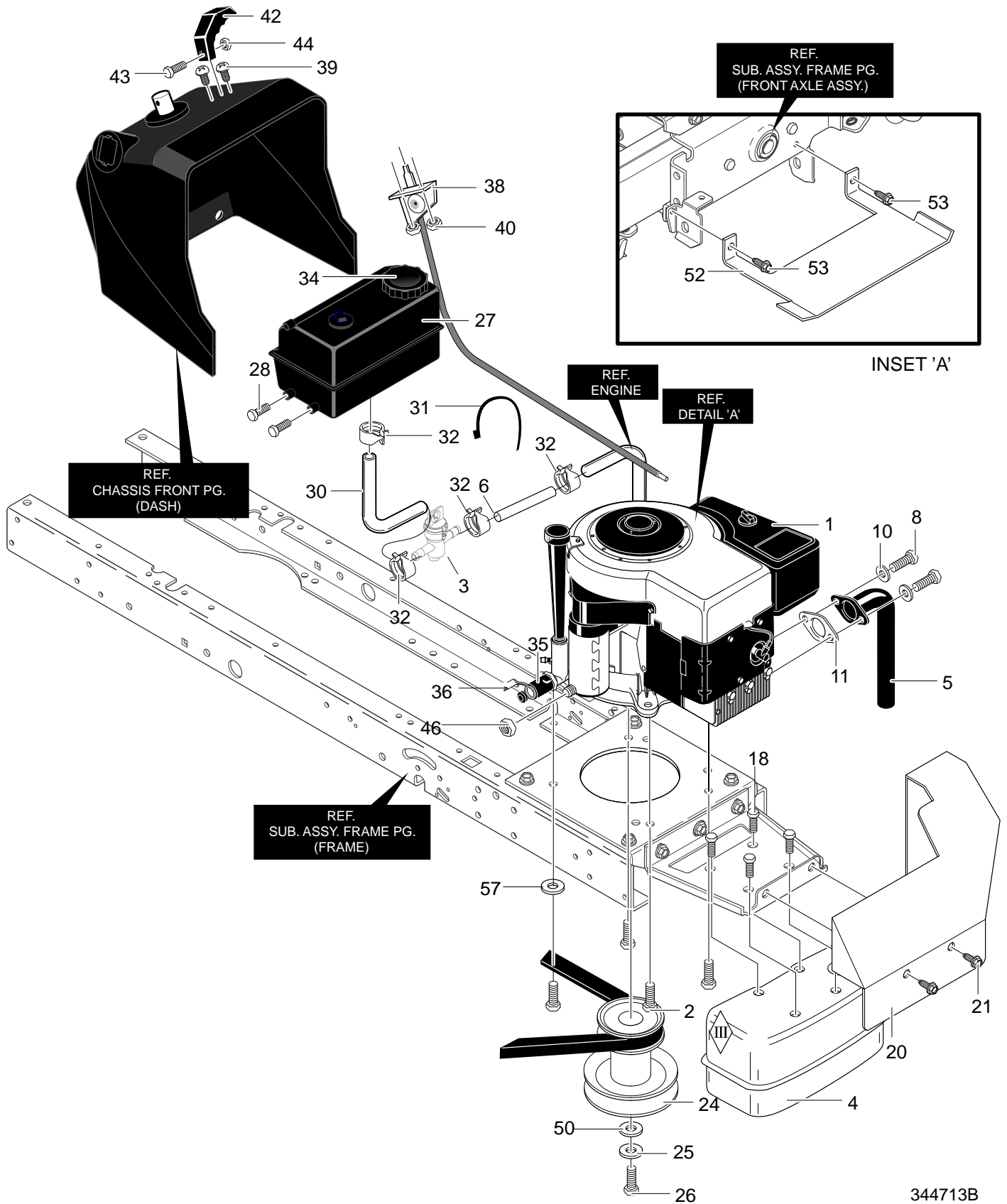
Key No.	Description	Part No.
9	Dust Hub Cap	094618
26	Shaft, Steering	94520
27	Bearing—Lower	94124
28	Screw, 5/16—18x.75	711606
29	Gear, Pinion	94122
30	Retaining Ring	710102
31	Tire & Rim	692641
31-1	Valve Stem	338512
31-2	Rim	338517
31-3	Bearing	338513
31-4	Tire	338514
34	Flatwasher	711758
35	E-Ring	0011X3
43	Flat washer	711663
45	Screw 1/4—20x.75	711719
—	Hub Cap	094618



# MODEL 38518x58C

# REPAIR PARTS MOWER SUSPENSION ASSEMBLY

<b>Key No.</b>	<b>Description</b>	<b>Part No.</b>	<b>Key No.</b>	<b>Description</b>	<b>Part No.</b>
1	Hair Pin	711676	27	PTO Handle	690126
8	Link, Lift LH	94611-821	28	Paddle Switch	95284
9	Link, Lift RH	94053-821	29	Screw, Thd Form	711621
10	Flat washer	711617	30	Bracket, PTO	94018-821
11	Hair Pin	711676	31	Screw, 5/16-18x.50	26x277
13	Flat washer	711617	32	Lever, PTO	95283
14	Hair Pin	711676	33	Bolt, Shoulder 3/8-16	711613
19	Link, Lift Handle	95285	34	Hair Pin	711659
20	Flat washer	711617	35	Washer, Flat	711615
21	Hair Pin	711676	36	Link PTO	95282
22	Grip	94929	37	Nut, 3/8-16	711622
23	Handle, Lift	690532	38	Screw, 5/16-18x.75	711606
24	Washer, Flat	711616	39	Torsion Spring	710141
25	Torsion Spring	710111	40	Spacer	165x117
26	Grip	94928	41	Spring, Extension	165x118



# MODEL 38518x58C

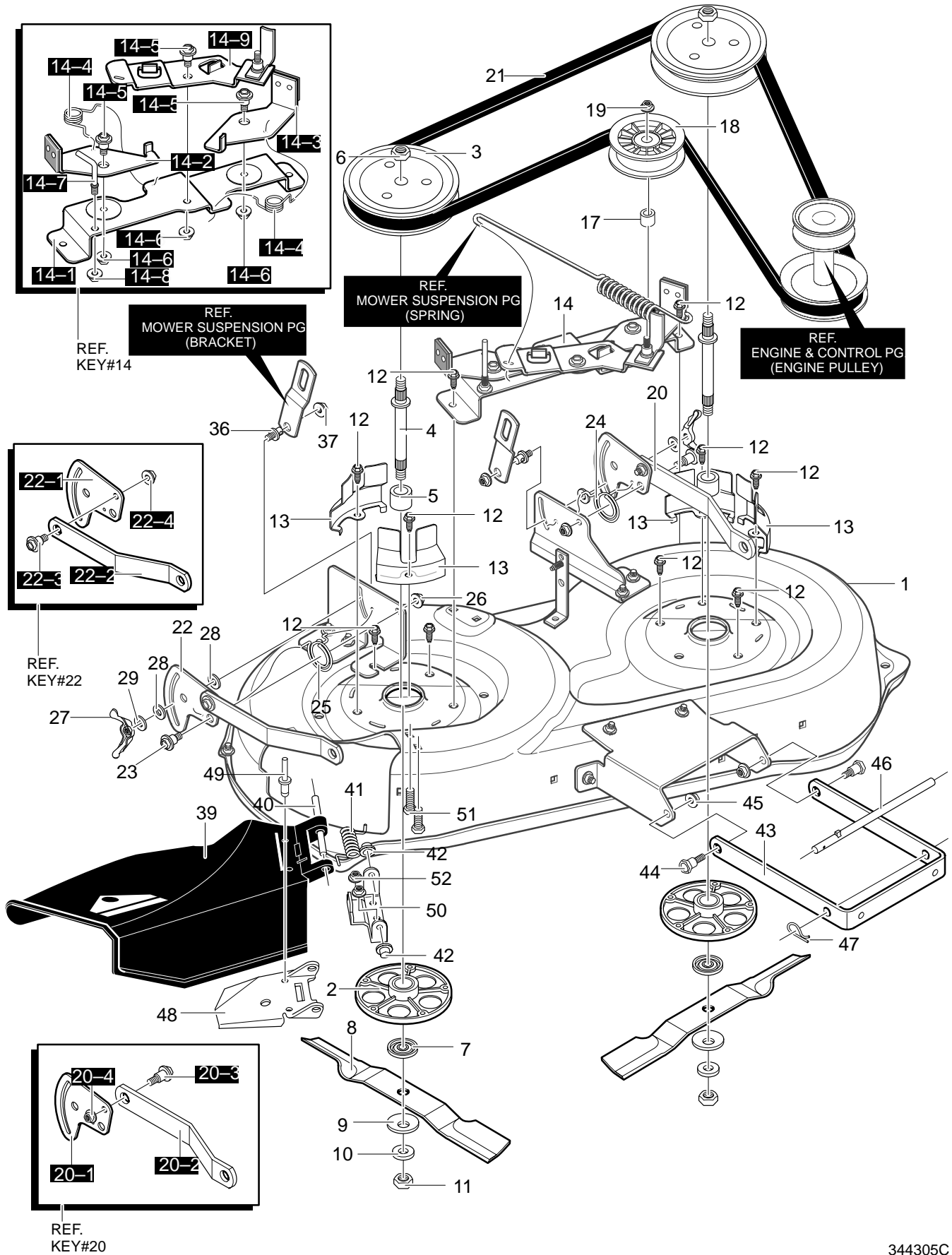
# REPAIR PARTS ENGINE AND CONTROL ASSEMBLY

Key No.	Description	Part No.	Key No.	Description	Part No.
1	12.5HP (See Engine Manual)	Engine	30	Gas line 8 Inches	48252
—	Clip, Speed	94951	31	Cable Tie	57444
2	Engine Bolt 3/8x1.25	0025X7	32	Clamp, Fuel Clamp	336890
3	Fuel Shut-off Valve	690494	34	Gas Cap	12501
4	Muffler, Super Low	94902	35	Oil Drain Valve Assembly	325547
5	Exhaust Pipe	94900	36	Cap, Oil Drain Valve	327422
6	Gas Line Tubing 3.250 Inches	309306	38	Throttle Control	95370
8	Screw, 5/16-18x.75	313676	39	Screw, 10-24x.63	711755
10	Washer, Hvsptlk	313679	40	Nut, #10-24	711754
11	Gasket, Muffler	91309	42	Knob, Throttle Control	94931
18	Screw, 1/4-20x.63	711642	43	Screw, #8-32	711750
20	Heat Shield Assembly	94904-821	44	Nut, #8-32	711748
21	Screw, 5/16-18x.75	711606	46	Nut, 1/4-20	711601
24	Stack Pulley	690448	50	Flat washer	17x170
25	Washer, Regsptlk	120383	52	Shield, Anti-Dehydration	95192-821
26	Screw, 7/16-20	1X169	53	Screw, 5/16-18x.75	711606
27	Tank, Fuel 1.5 Gal.	309853	57	Washer, Exlk	711668
28	Screw, 15TPIX	711681			



# MODEL 38518x58C

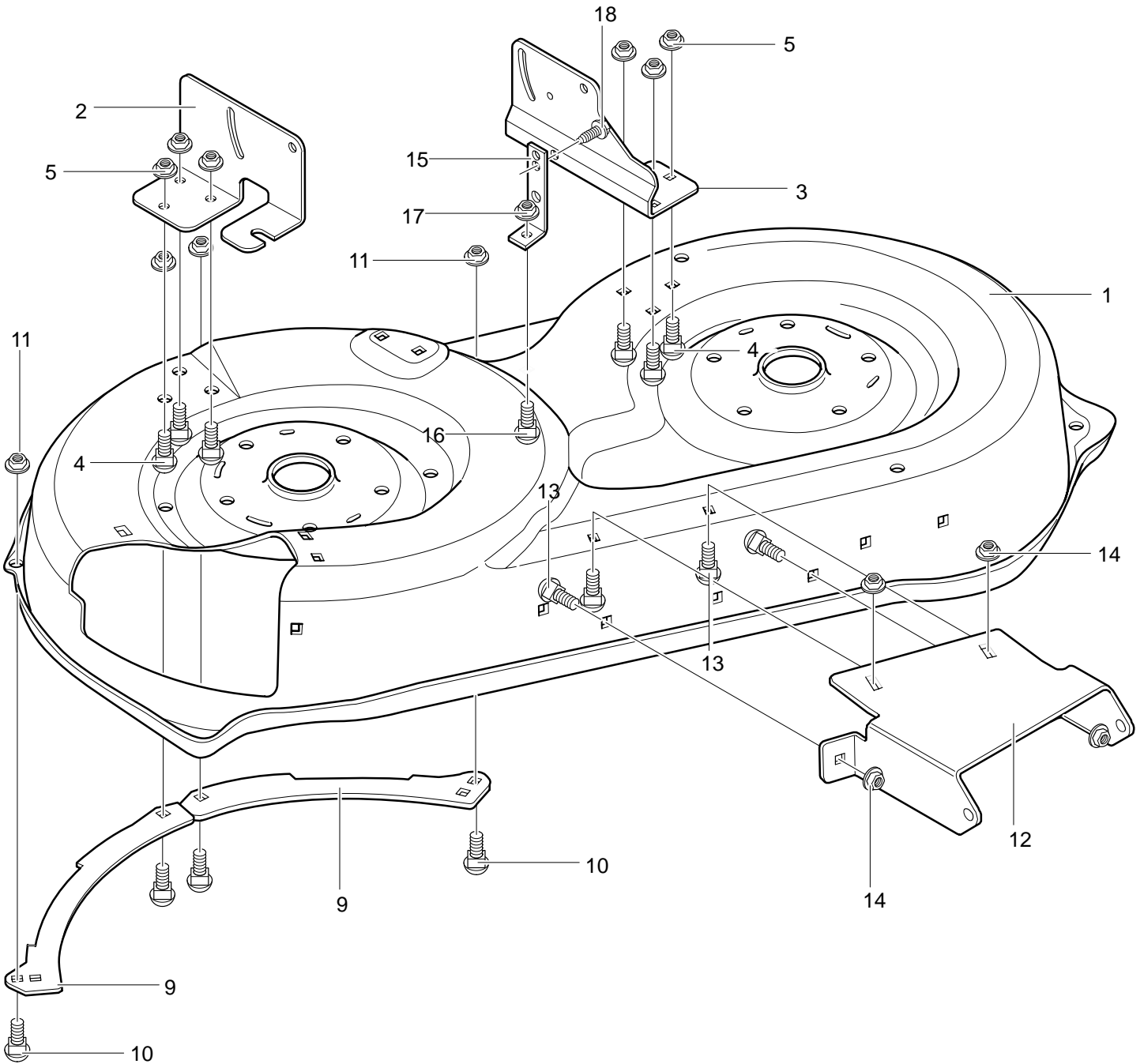
# REPAIR PARTS DECK ASSEMBLY



# MODEL 38518x58C

# REPAIR PARTS DECK ASSEMBLY

Key No.	Description	Part No.	Key No.	Description	Part No.
1	Mower Deck Assembly	94061-821	20-4	Nut, 3/8-16	710140
2	Jackshaft Assembly	690222	21	Belt, Barback CI 84.24	710193
3	Pulley, Quill	690174	22	Assy, Plate,Rear Sus Bkt RH	690158-821
4	Jackshaft	94129	22-1	Plate-Suspension	94128
5	Spacer	94130	22-2	Suspension Bracket Rear	94055
6	Nut, 9/16-18	15x121	22-3	Bolt, Shoulder	710095
7	Adapter, Deck/Blade	1001035	22-4	Nut, 3/8-16	710140
8	Blade, 38 inches	94913	23	Bolt, Shoulder	711611
9	Washer	17x166	24	Spring, Torsion LH	710113
10	Flat washer	17x165	25	Spring, Torsion RH	710112
11	Nut, .56-18 Regular	15x100	26	Nut, 3/8-16	711622
12	Engine Bolt 3/8x1.25	0025x7	27	Wingnut, 5/16-18	711600
13	Cover, Segment Belt Guide	94051-821	28	Pad, Friction	94137
14	Asm. Brake with Support	94691-821	29	Washer	711628
14-1	Bracket, Brake Mtg	94059	36	Pin, Hanger	711595
14-2	Assy, Brake RH	94047	37	Nut, 3/8-16	711622
14-3	Assy, Brake LH	94048	39	Deflector Chute	94687
14-4	Torsion Spring	710227	40	Asm., Bracket Idler	95303
14-5	Bolt, Shoulder 3/8-16	710098	41	Spring, Torsion	710194
14-6	Nut, 3/8-16 Mack	710140	42	Nut, Push Cap	711627
14-7	Screw-Guide	94781	43	Bracket, Frt Suspension	94058-821
14-8	Nut, 5/16-18 Hexwdfllk Whiz	710204	44	Shoulder Bolt	711611
14-9	Assy., Idler Arm	94177	45	Nut, 3/8-16 Wdfllk Mack	711622
17	Spacer, 1/2 to 17MM	690369	46	Rod, Hanger	95295
18	Idler Pulley	690451	47	Hair Pin	711676
19	Nut, 3/8-16 Hwdfllk Mack	711920	48	Deflector Support	94686-821
20	Asm., Plate Rear Sus. Brkt LH	690159-821	49	Rivet- Semi	711624
20-1	Plate-Suspension	94128	50	Bracket, Chute Attach	94956-821
20-2	Suspension Bracket Rear	94055	51	Carr. Bolt, 5/16-18x.63	711661
20-3	Bolt, Shoulder	710095	52	Nut, 5/16-18 Wdfllk	711634



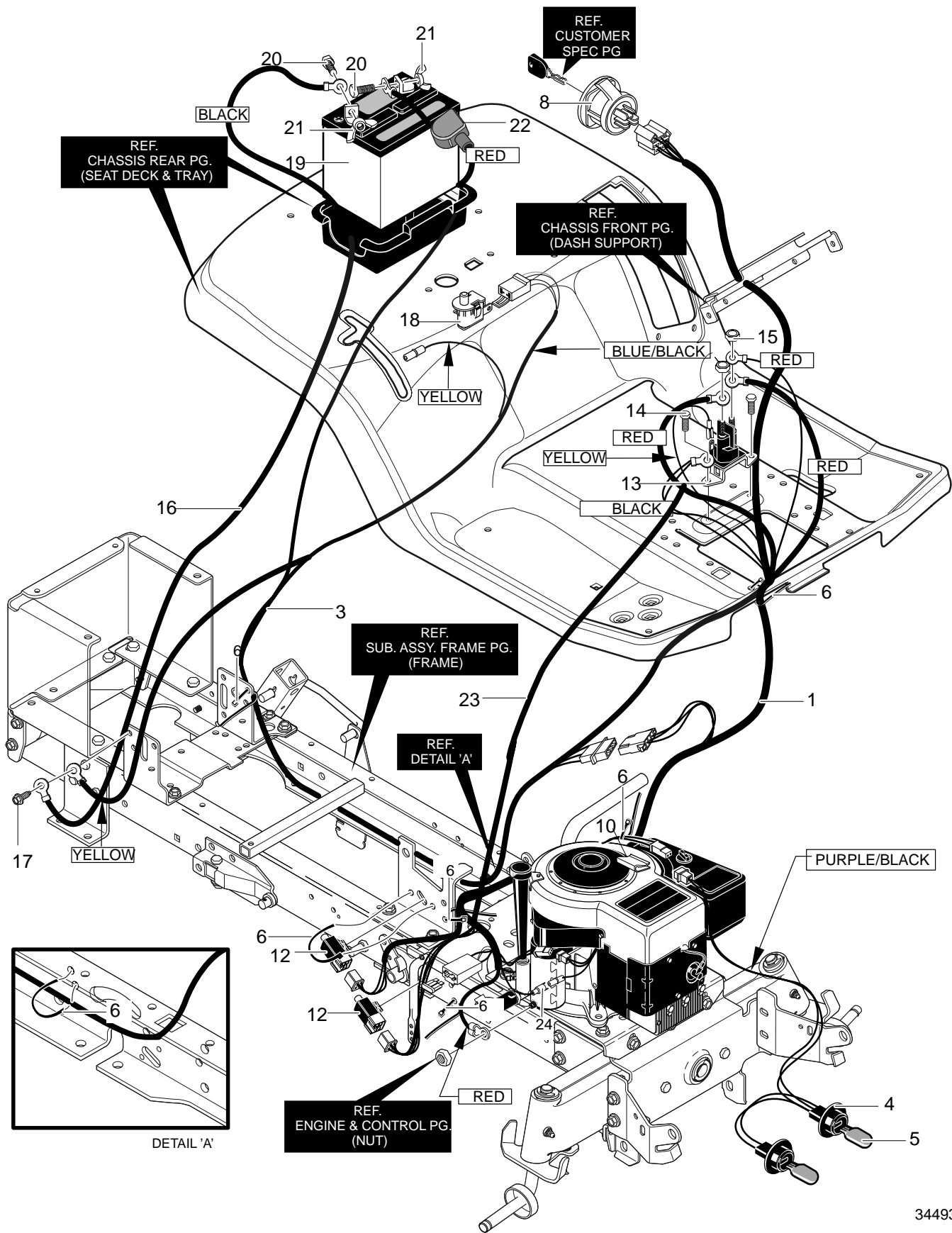
# MODEL 38518x58C

# REPAIR PARTS DECK ASSEMBLY

<b>Key No.</b>	<b>Description</b>	<b>Part No.</b>	<b>Key No.</b>	<b>Description</b>	<b>Part No.</b>
1	38" Mower Housing	94060	12	Bracket, Front Deck	94062
2	Bracket, Deck Lift RH	94052	13	Bolt, .31-18x.062	002x53
3	Bracket, Deck Lift LH	94054	14	Nut, .32-18 Flangelock	015x79
4	Bolt, .31-18x.62	002x53	15	Bracket, Support	94681
5	Nut, .32-18 Flangelock	015x79	16	Bolt, .31-18x.62	002x53
9	Toeguard, Flange	91770	17	Nut, .32-18 Flangelock	015x79
10	Bolt, .31-18x.62	002x53	18	Screw, .312-18x.75	26x249
11	Nut, .32-18 Flange Centerlock	015x88			

# MODEL 38518x58C

# REPAIR PARTS ELECTRICAL ASSEMBLY



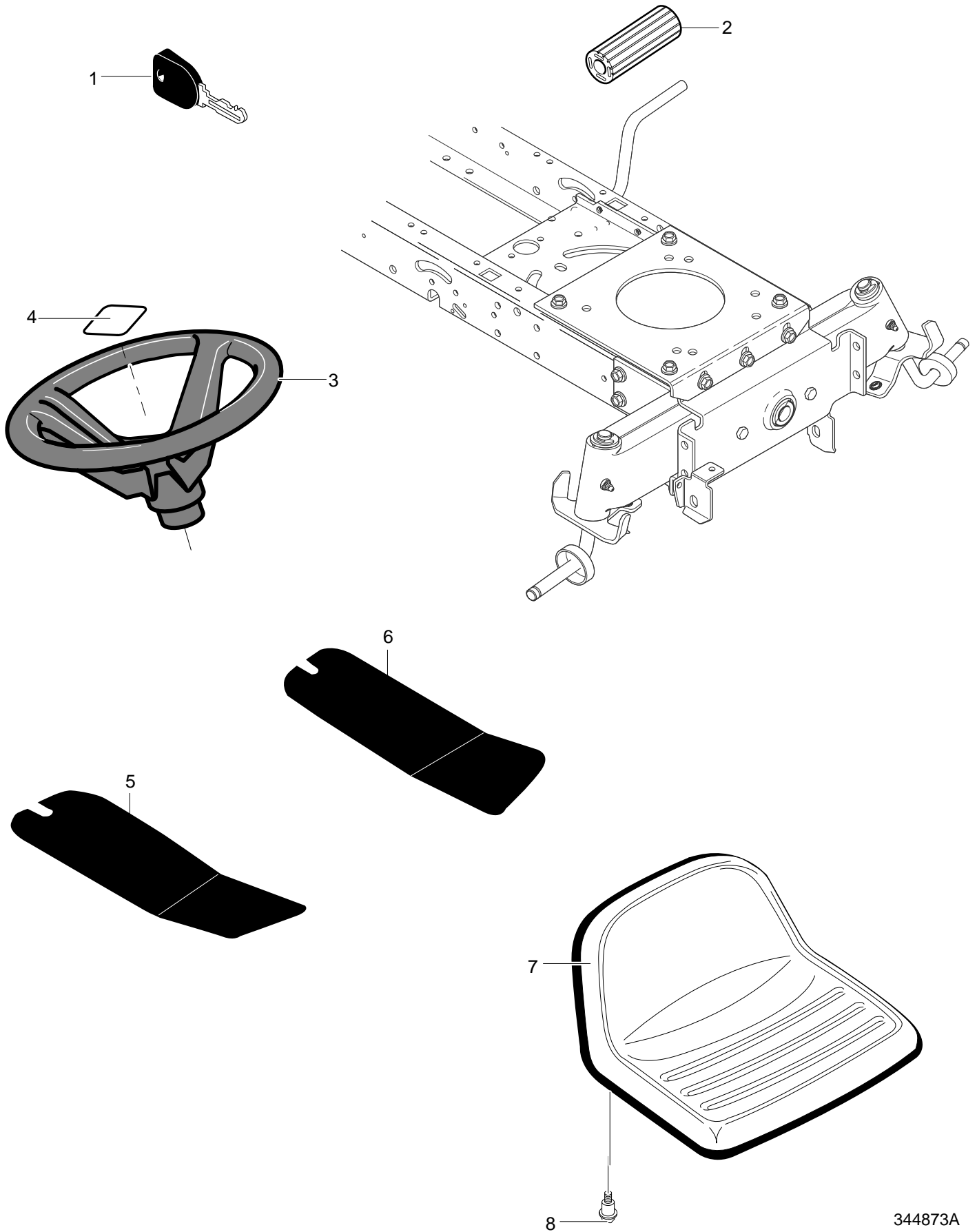
# MODEL 38518x58C

# REPAIR PARTS ELECTRICAL ASSEMBLY

Key No.	Description	Part No.	Key No.	Description	Part No.
1	Wire Harness	95201	16	Ground Wire	710228
3	Wire Harness, Rear	340530	17	Screw, 1/4x.75	711760
4	Wire Harness for Headlights	94103	18	Seat Switch	94159
5	Bulb, Headlamp	52572	19	Battery 5 Plate	92739
6	Cable Tie	57444	20	Bolt, 1/4-20x.63	711680
8	Switch, Ignition	94762	21	Wing Nut	711636
10	Wire Clip, Adhesive	55939	22	Battery Boot	335417
12	Switch, Limit	94136	23	Wire, Lead Solenoid to Starter	711579
13	Solenoid	94613	24	Harness Adapter	94348
14	Screw 1/4x.50	711619		15 Amp Fuse	302031
15	Nut, 1/4-20	711632			

# MODEL 38518x58C

# REPAIR PARTS CUSTOMER SPEC



<b>Key No.</b>	<b>Description</b>	<b>Part No.</b>
1	Ignition Key	327349
2	Cover, Pedal Brake/Clutch	21544
3	Steering Wheel	95335
4	Insert, 4-Spoke	95337
5	Footrest Pad RH	94998
6	Footrest Pad LH	94999
7	Seat	95334
8	Shoulder Bolt 5/16-18	711740