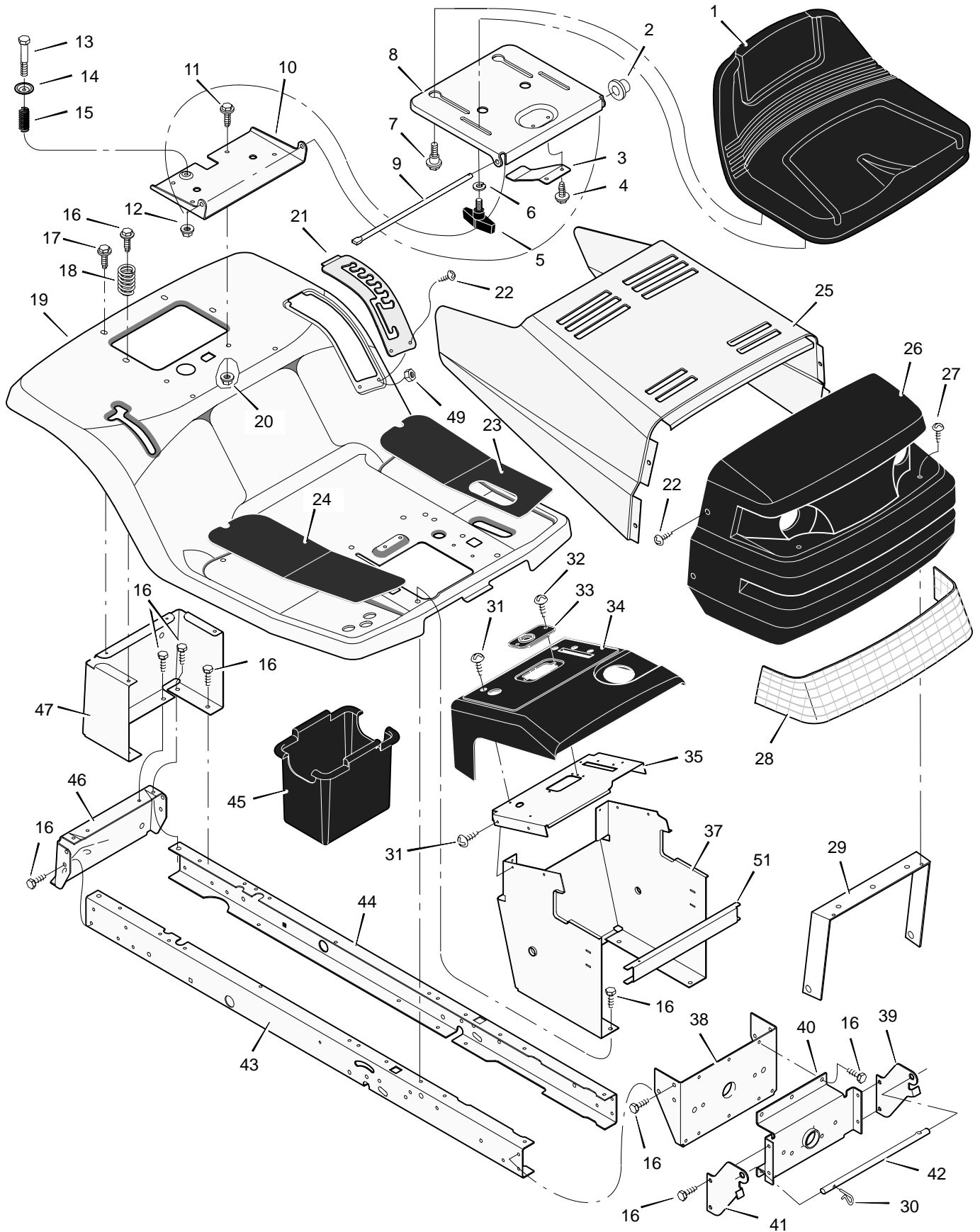


MODEL 385011x50A

REPAIR PARTS CHASSIS & HOOD



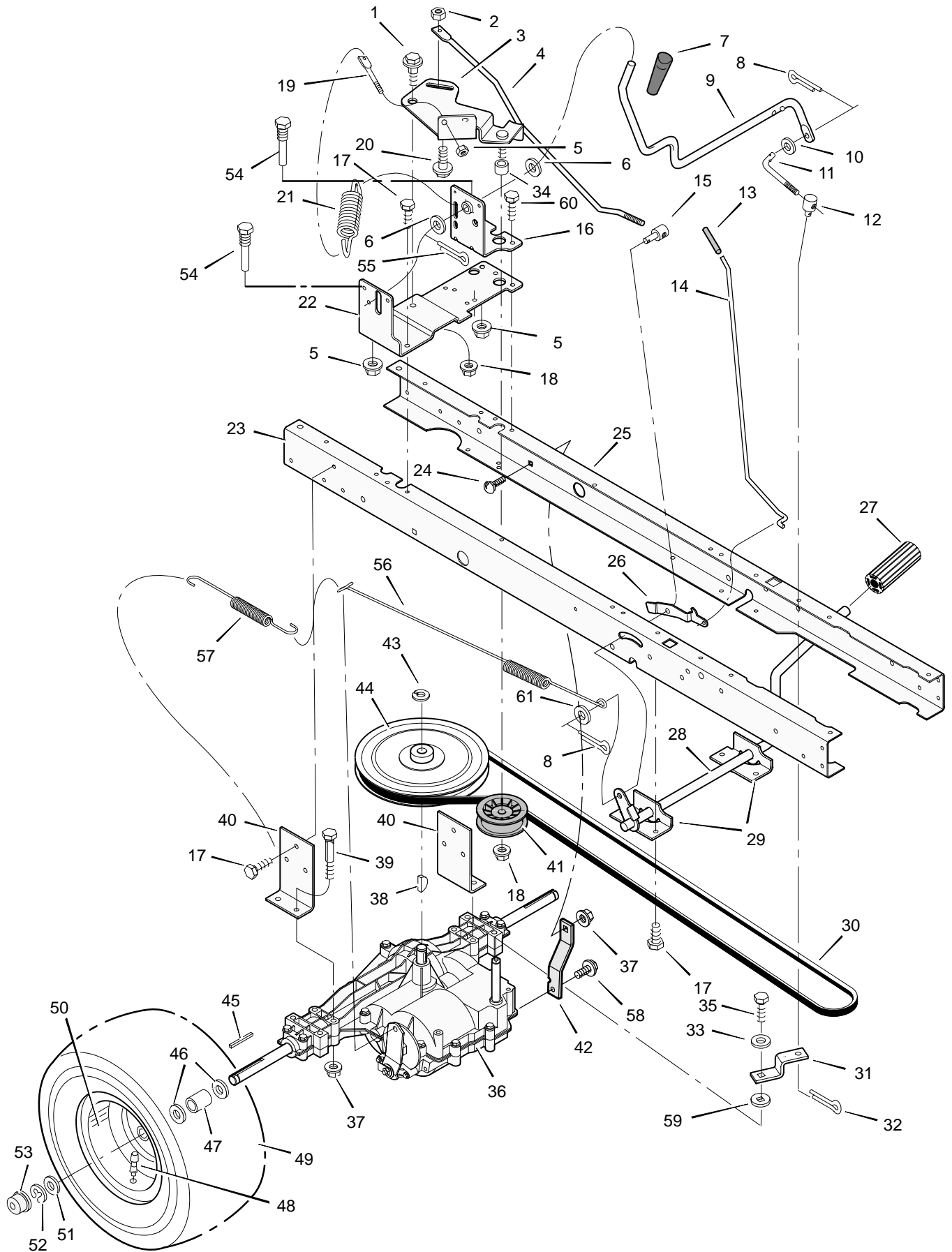
MODEL 385011x50A

REPAIR PARTS CHASSIS & HOOD

Key No.	Description	Part No.	Key No.	Description	Part No.
1	Seat	690567	27	Screw	26x239
2	Cap, Push On	028x23	28	Lens	092334
3	Spring	094057	29	Brace, Grille	092448
4	Screw	26x229	30	Pin, Hair	0031x4
5	Bolt, Wing	1001054	31	Screw	26x270
6	Washer	017x47	32	Screw	26x238
7	Bolt, Shoulder	009x56	33	Bearing, Steering	094214
8	Support, Seat	094154E700	34	Dash	095033E700
9	Rod, Pivot	094156 Z	35	Plate, Dash	094211E700
10	Bracket, Pivot	094153E700	36	Panel, Access	093007E700
11	Bolt	001x45	37	Support, Dash	095323E700
12	Nut	015x89	38	Bracket, Rear Hanger	1001270E700
13	Bolt, Shoulder	009x55	39	Support, Left Grille	690544E700
14	Washer	094155 Z	40	Axle, Hanger	094007E700
15	Spring	164x31	41	Support, Right Grille	690543E700
16	Screw	26x249	42	Rod, Pivot	092332 Z
17	Screw	26x263	43	Frame, Right	1001268E700
18	Spring	164x30	44	Frame, Left	1001269E700
19	Deck, Seat	095249E245	45	Container, Battery	690424
20	Nut	015x88	46	Plate, Hitch	1001002E700
21	Plate, Index	094829E700	47	Panel, Rear	690434E700
23	Mat, Left	094999	49	Nut	015x81
24	Mat, Right	094998	51	Channel	094215E700
25	Hood	092333E245	—	Instruction Book & Parts List	F-020729L
26	Grille Assembly (Includes Lens)	094867E700			

MODEL 385011x50A

REPAIR PARTS MOTION DRIVE



MODEL 385011x50A

REPAIR PARTS MOTION DRIVE

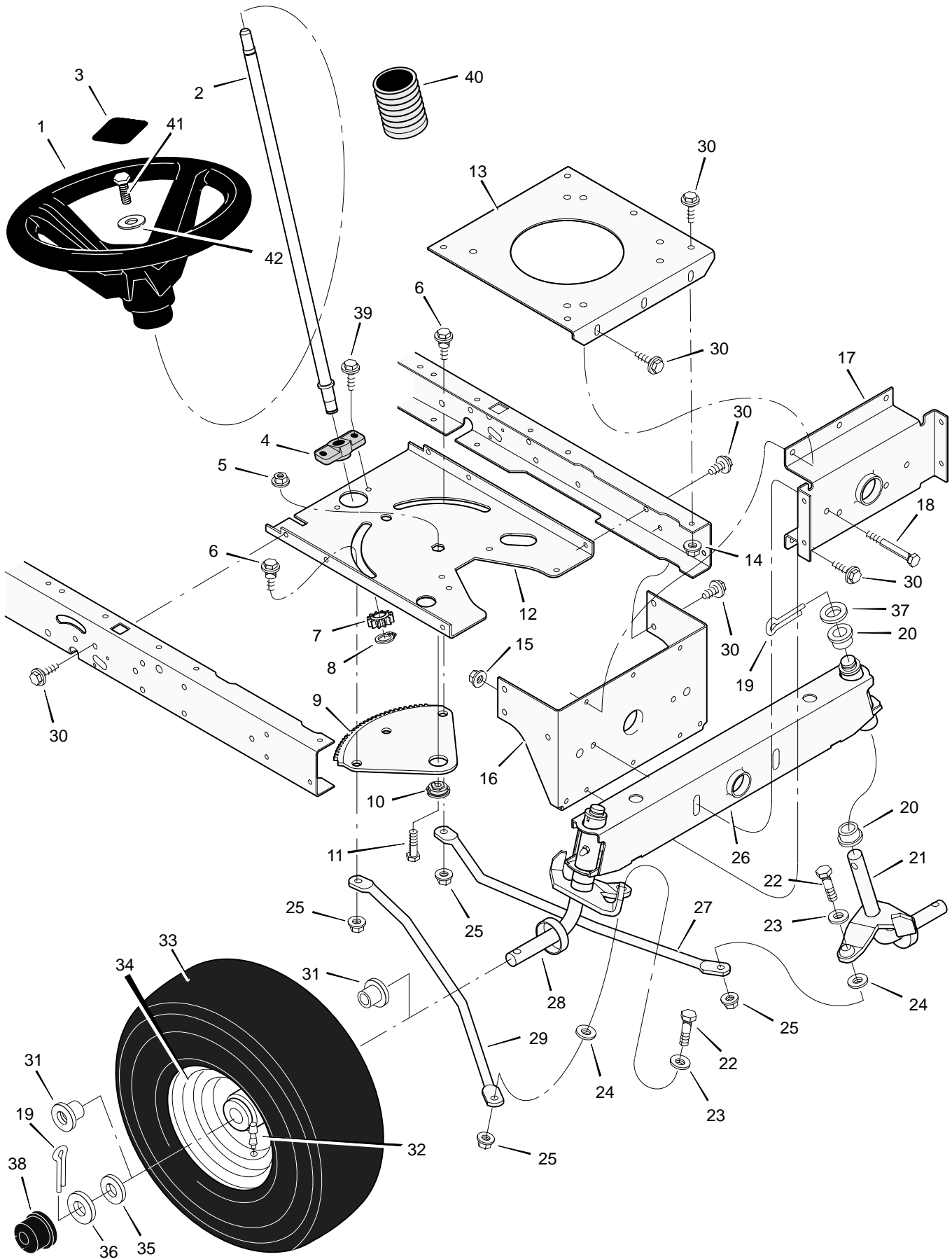
Key No.	Description	Part No.	Key No.	Description	Part No.
1	Bolt, Shoulder	009x39	32	Pin, Hair	0031x6
2	Nut, Hex	015x89	33	Washer	017x38
3	Arm, Idler	690173 Z	35	Bolt	06x105
4	Rod, Clutch	094041 Z	36	Transaxle **	—
5	Nut	015x79	37	Nut	015x88
6	Washer	17x102	38	Key, Woodruff	020697
7	Grip	092697	39	Bolt	01x155
8	Pin, Cotter	030x20	40	Bracket, Transaxle	094008E700
9	Lever, Shift	094043 Z	41	Pulley	690409
10	Washer	017x47 Z	42	Bracket, Transaxle Support	094433
11	Link, Shift	094044 Z	43	E-Ring	0011x7
12	Nut, Adjuster	021920	44	Pulley, Drive	095094
13	Grip	091079	45	Key, Square	021553
14	Rod, Parking Brake	1001271 Z	46	Washer	17x160
15	Nut, Adjuster	094815	47	Spacer, Transaxle	690554 Z
16	Bracket, Shift Pivot	1001303 Z	48	Stem, Valve	024373
17	Screw	26x249	49	Tire *	091923
18	Nut	015x84	—	Tube	407049
19	Mount, Stud Spring	094042 Z	50	Wheel & Tire Assembly	92288-601
20	Bolt, Shoulder	009x54	51	Washer	17x195
21	Spring, Extension	165x116	52	E-Ring	0011x3
22	Bracket, Right Shifter	1001302E700	53	Hub Cap	094618
23	Frame, Right	1001268E700	54	Guide, Belt	093349
24	Bolt, Carriage	002x53	55	Pin, Hair	0031x4
25	Frame, Left	1001269E700	56	Spring, Extension	165x115
26	Latch, Parking Brake	094045 Z	57	Spring, Extension	165x92
27	Pedal	021544	58	Screw	26x216
28	Lever, Brake/Clutch	094038E700	59	Washer	17x148
29	Bracket, Pedal	1001117E700	60	Screw	26x267
30	Belt, Motion Drive	037x87	61	Washer	17x169
31	Yoke, Shift	094031 Z			

* When you order a tire, make sure to give the brand name of the tire so that the tread pattern on the tire will match.

** For information on Replacement Parts see the Central Parts Distributor in your area.

MODEL 385011x50A

REPAIR PARTS STEERING



MODEL 385011x50A

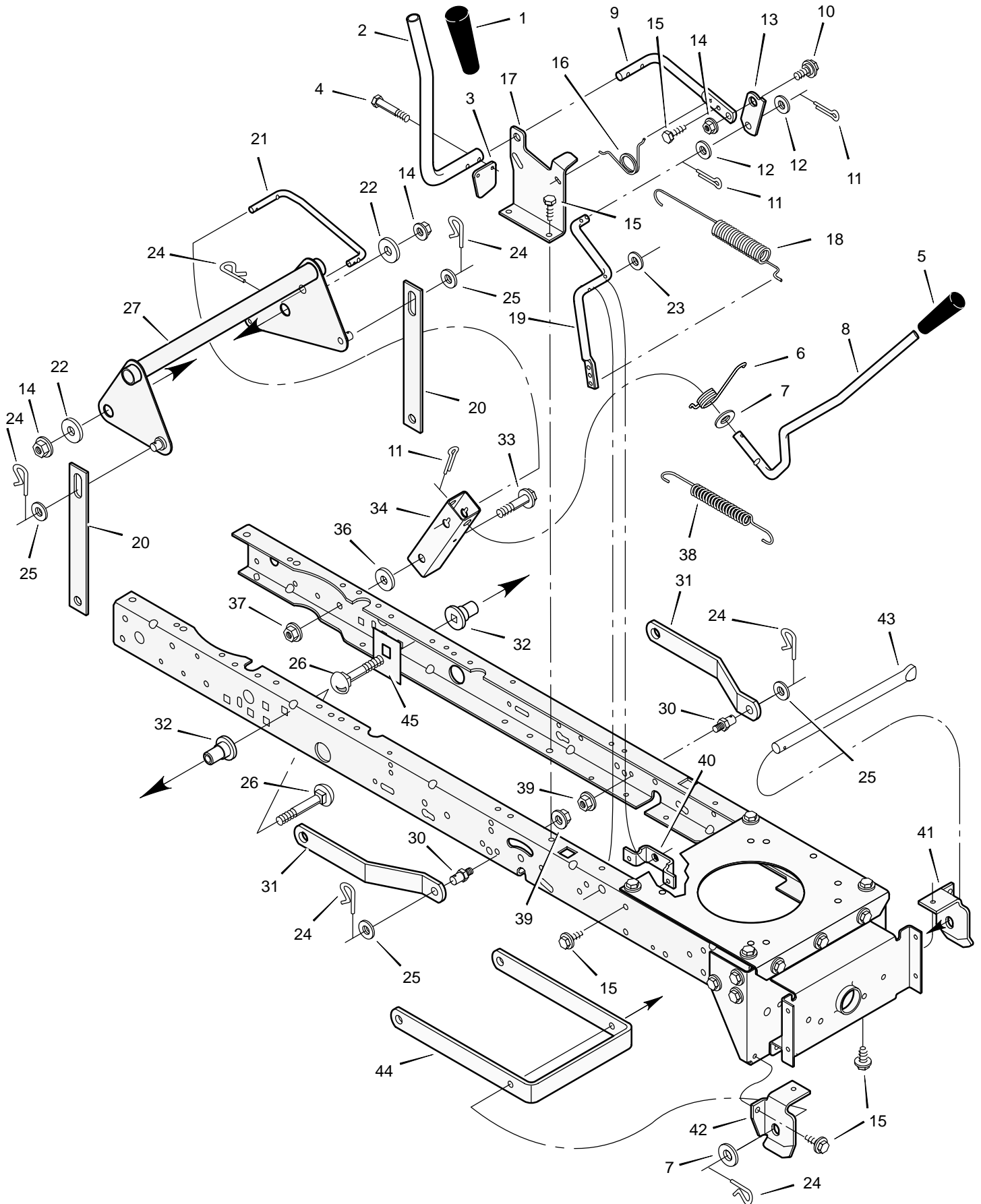
REPAIR PARTS STEERING

Key No.	Description	Part No.	Key No.	Description	Part No.
1	Wheel, Steering	095184	23	Washer	17x104
2	Post, Steering	690626	24	Washer	017x53 Z
3	Insert, Steering Wheel	711325	25	Nut, Flange	015x84
4	Bearing	094124	26	Axle Assembly	690210E700
5	Nut, Flange	15x111	27	Drag Link, Left	095329E700
6	Bolt, Shoulder	009x57	28	Spindle Assembly, Right	094575E700
7	Gear, Pinion	690183E700	29	Drag Link, Right	095328E700
8	Ring, Snap	011x25	30	Screw	26x249
9	Gear, Sector	094121E700	31	Bearing, Wheel	091334
10	Bearing	094123	32	Stem, Valve	024373
11	Bolt	001x84	33	Tire *	091923
12	Plate, Steering	1001121E700	—	Tube	407924
13	Plate, Engine	094006E700	34	Wheel and Tire Assembly	094578–601
14	Nut, Flange	015x88	35	Washer	17x195
15	Nut, Flange	15x118	36	Washer	17x192
16	Bracket, Hanger	1001270E700	37	Washer	17x113
17	Axle, Hanger	094007E700	38	Hub Cap	094618
18	Bolt	01x146	39	Screw	26x267
19	Pin, Cotter	030x49	40	Bellows	054789
20	Bearing	690150	41	Bolt	0025x3
21	Spindle Assembly, Left	094576E700	42	Washer	17x146
22	Bolt	01x111			

* When you order a tire, make sure to give the brand name of the tire so that the tread pattern on the tire will match.

MODEL 385011x50A

REPAIR PARTS MOWER HOUSING SUSPENSION



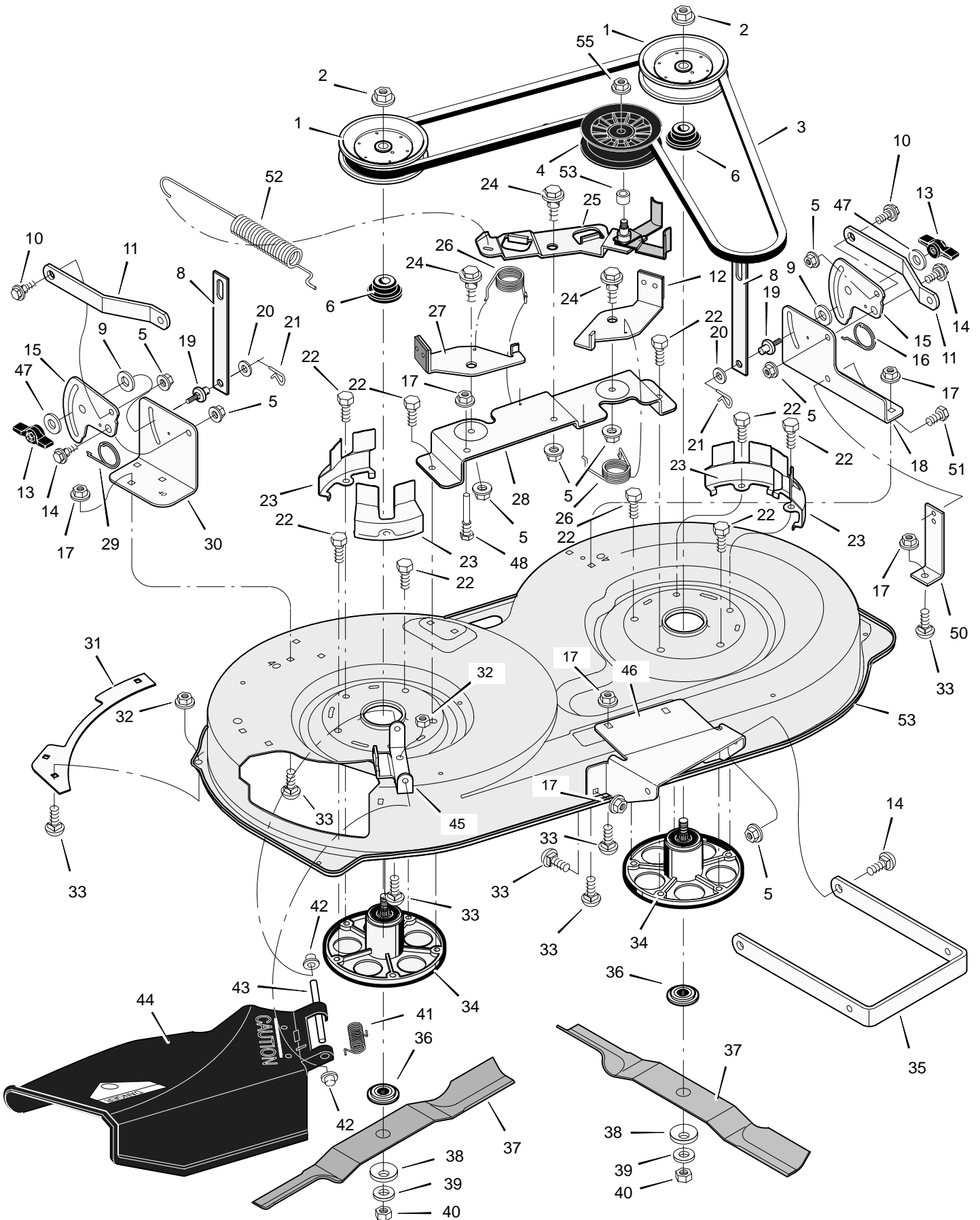
MODEL 385011x50A

REPAIR PARTS MOWER HOUSING SUSPENSION

Key No.	Description	Part No.	Key No.	Description	Part No.
1	Grip	092698	22	Washer	17x168
2	Handle, PTO	094157 Z	23	Washer	017x57
3	Pad, Switch	094022 Z	24	Pin, Hair	0031x4
4	Bolt	0025x3	25	Washer	017x91
5	Grip	092697	26	Bolt, Carriage	002x85
6	Spring	166x40	27	Lever Assembly, Lift	1001111E700
7	Washer	17x103	30	Pin	094067
8	Handle, Lift	690533	31	Bracket, Rear Suspension	094055E700
9	Lever, PTO	094017 Z	32	Spacer, Lifter	690151
10	Bolt, Shoulder	009x39	33	Bolt, Shoulder	009x53
11	Pin, Cotter	030x20	34	Bracket, Pivot	094015E700
12	Washer	017x57	36	Washer	17x191
13	Link, PTO	094004 Z	37	Nut, Flange	015x84
14	Nut, Flange	015x84	38	Spring	165x131
15	Screw	26x249	39	Nut, Flange	015x68
16	Spring	166x39	40	Bracket, PTO	094005E700
17	Bracket, PTO	094018E700	41	Hanger, Left Deck	094027E700
18	Spring	165x118	42	Hanger, Right Deck	094026E700
19	Crank, PTO	690394E700	43	Rod, Hanger	094158 Z
20	Link, Lift	690212E700	44	Bracket, Suspension	690539E700
21	Link, Lift Handle	690122E700	45	Plate, Stiffening	1001098E700

MODEL 385011x50A

REPAIR PARTS MOWER HOUSING



MODEL 385011x50A

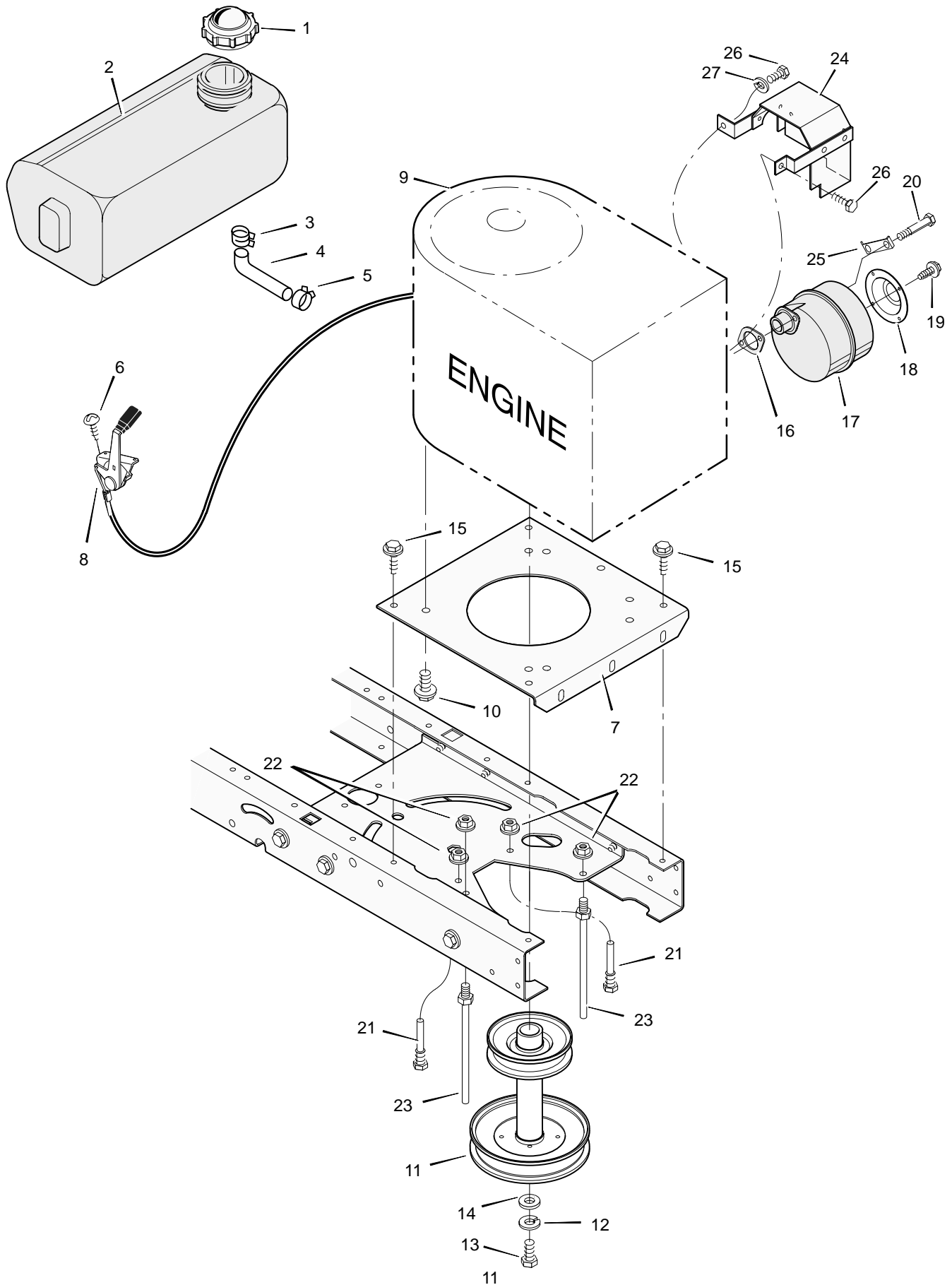
REPAIR PARTS MOWER HOUSING

Key No.	Description	Part No.	Key No.	Description	Part No.
1	Pulley, Jackshaft	092852	29	Spring	166x42
2	Nut, Hex	15x121	30	Bracket, Right Suspension	094052E700
3	Belt, Mower Drive	037x86	31	Plate	091770E700
4	Pulley, Idler	690387	32	Nut, Flange	015x88
5	Nut, Flange	015x84	33	Bolt, Carriage	002x53
6	Spacer, Pulley	1001197	34	Mandrell	1001200
8	Link, Lift	690212E700	35	Bracket, Suspension	690539E700
9	Pad, Friction	094137	36	Adapter, Blade	690411
10	Bolt, Shoulder	009x52	37	Blade	1001427E701
11	Bracket, Suspension	094055E700	38	Washer	17x166
12	Pad Assembly, Left Brake	094049E700	39	Washer	17x165
13	Knob	094068	40	Nut	15x100
14	Bolt, Shoulder	009x51	41	Spring	166x4
15	Plate, Suspension	094128E700	42	Cap, Push On	028x23
16	Spring	166x43	43	Rod, Pivot	094957 Z
17	Nut, Flange	015x79	44	Deflector Assembly	094707
18	Bracket, Left Suspension	094054E700	45	Bracket, Deflector	094956E700
19	Pin, Hanger	095194	46	Bracket, Front Hanger	094062E700
20	Washer	017x91	47	Washer	017x45 Z
21	Pin, Cotter	0031x4	48	Guide, Belt	094781
22	Bolt	0025x7	50	Bracket, Support	94681E700
23	Cover, Pulley	094051E700	51	Screw	26x249
24	Bolt, Shoulder	009x39	52	Spring, Extension	165x118
25	Arm, Idler	1001499E700	53	Spacer	690369
26	Spring	166x41	54	Housing, Blade *	094887E700
27	Pad Assembly, Right Brake	094047E700	55	Nut, Flange	015x98
28	Bracket Assembly, Brake	094059E700	1-55	Complete Mower Housing Assembly	776000

* Includes Key No. 17, 18, 30, 31, 32, 33, 45, 46, 47 and 51.

MODEL 385011x50A

REPAIR PARTS ENGINE MOUNT



MODEL 385011x50A

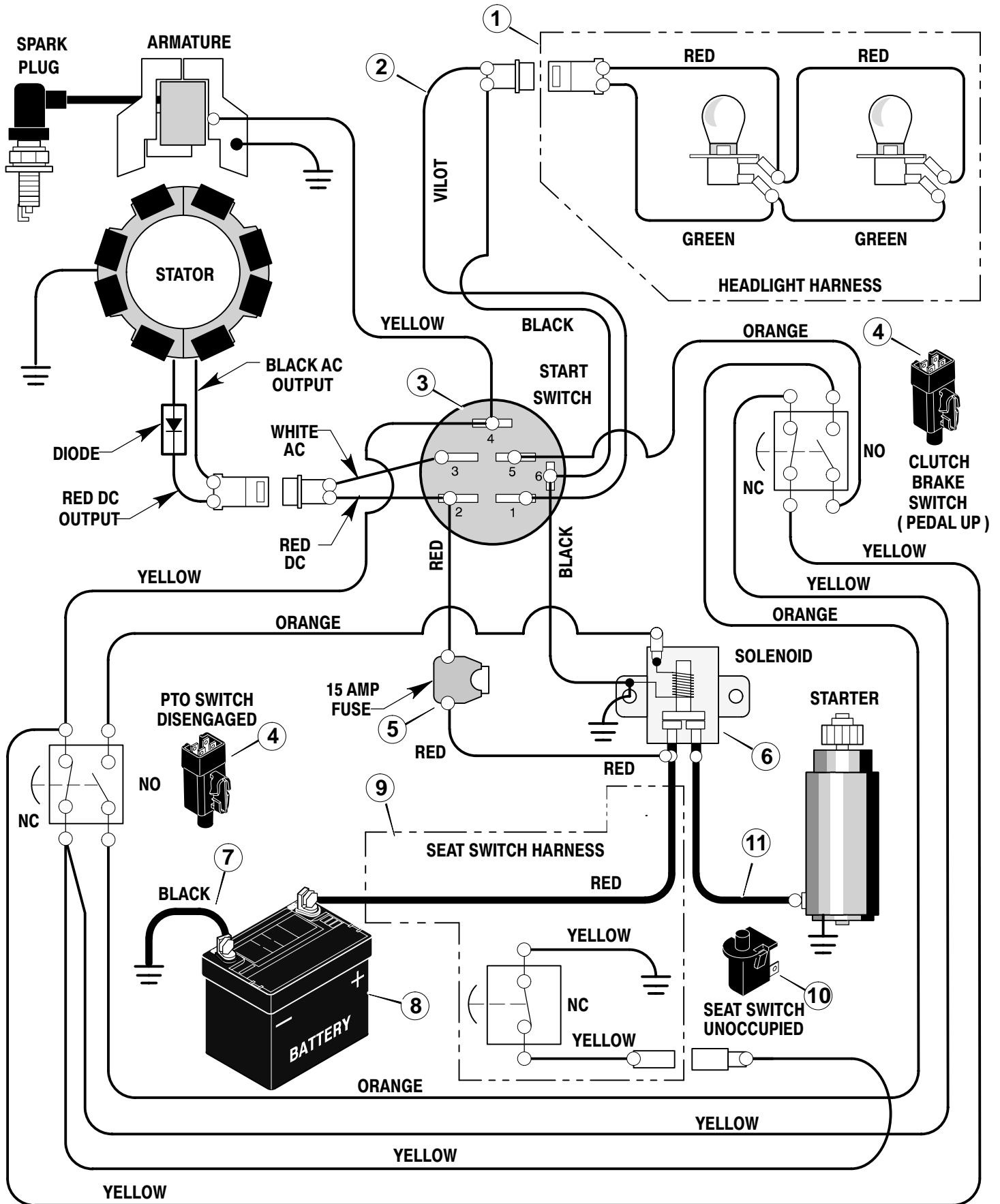
REPAIR PARTS ENGINE MOUNT

Key No.	Description	Part No.
1	Fuel Cap	092317
2	Fuel Tank	690263
3	Hose Clamp **	095197
4	Fuel Line (must cut to length) **	7001033
5	Hose Clamp	095197
6	Screw	26x201
7	Plate, Engine	094006E70 0
8	Throttle Control	092371
9	Engine*	_____
10	Bolt, Engine Mount	0025x7
11	Stack Pulley Assembly	690439 Z
12	Lockwasher	019x35
13	Bolt, Hex	01x140
14	Washer	018x32
15	Screw	26x249
16	Gasket	091309
17	Muffler	091271
18	Deflector, Muffler	094099 Z
19	Screw	26x208
20	Bolt, Hex	01x134
21	Guide, Belt	093349
22	Nut, Flange	015x79 Z
23	Guide, Belt	094066
24	Shield, Heat	092381
25	Lock, Screw	092378
26	Screw	26x263
27	Washer	018X32

* Parts are available from an engine Authorized Service Center. See "Engines, Gasoline" or "Gasoline Engines" in the yellow pages of the telephone directory.

MODEL 385011x50A

REPAIR PARTS ELECTRICAL SYSTEM



MODEL 385011x50A

REPAIR PARTS ELECTRICAL SYSTEM

Key No.	Description	Part No.
1	Harness, Light Wire	250x92
	Socket, Light	092372
	Bulb, Light	090084
2	Harness, Chassis Wire	250x86
3	Switch, Ignition	092377
	Key, Ignition	020729
	Nut, Hex	091489
	Cap, Ignition	091488
4	Switch, Limit	094136
5	Fuse	054212
	Holder, Fuse	407078
6	Solenoid	094613
	Screw, Mounting	26x229
	Locknut	15x116
7	Cable, Battery Ground	024x32
	Screw, Ground Cable	26x213
8	Battery	021075
	Bolt, Carriage	002x82
	Wingnut	014x79
	Boot, Battery –Positive	690604
9	Harness, Seat Switch Wire	250x67
10	Switch, Seat Sensor	094159
11	Cable	024x31

MODEL 385011x50A**REPAIR PARTS
DECALS**

Ke No.	Description (Location)	Part No.	Qty.
--	Cut Finger (Mower Deck)	44x5430	1
--	Warning Symbols	44x6815	1
--	7 Position Cut Height	44x7026	1
--	Deck Level	44x7027	1
--	No Step	44x5429	1
--	Brake/Clutch (Footrest)	44x5437	1
--	Briggs Logo	44x6277	2
--	5 Speed Transaxle	44x6278	1
--	Dash Symbols	44x6817	1
--	Heat Shield Warning	44x5936	1
--	Warning –Pinch Point	44x6828	1
--	TUV & GS European Export	44x2929	1
--	Deka	44x7197	1
--	SENTINEL 125/96 (RH Hood)	48x788	1
--	SENTINEL 125/96 (LH Hood)	48x787	1
--	SENTINEL Logo	48x782	1
--	SENTINEL Logo	48x861	1
--	Drawbar Warning	48x511	1
--	TEXAS Logo (Front Hood)	48x1165	1
--	12.5 HP B&S IC	44X7383	1
--			