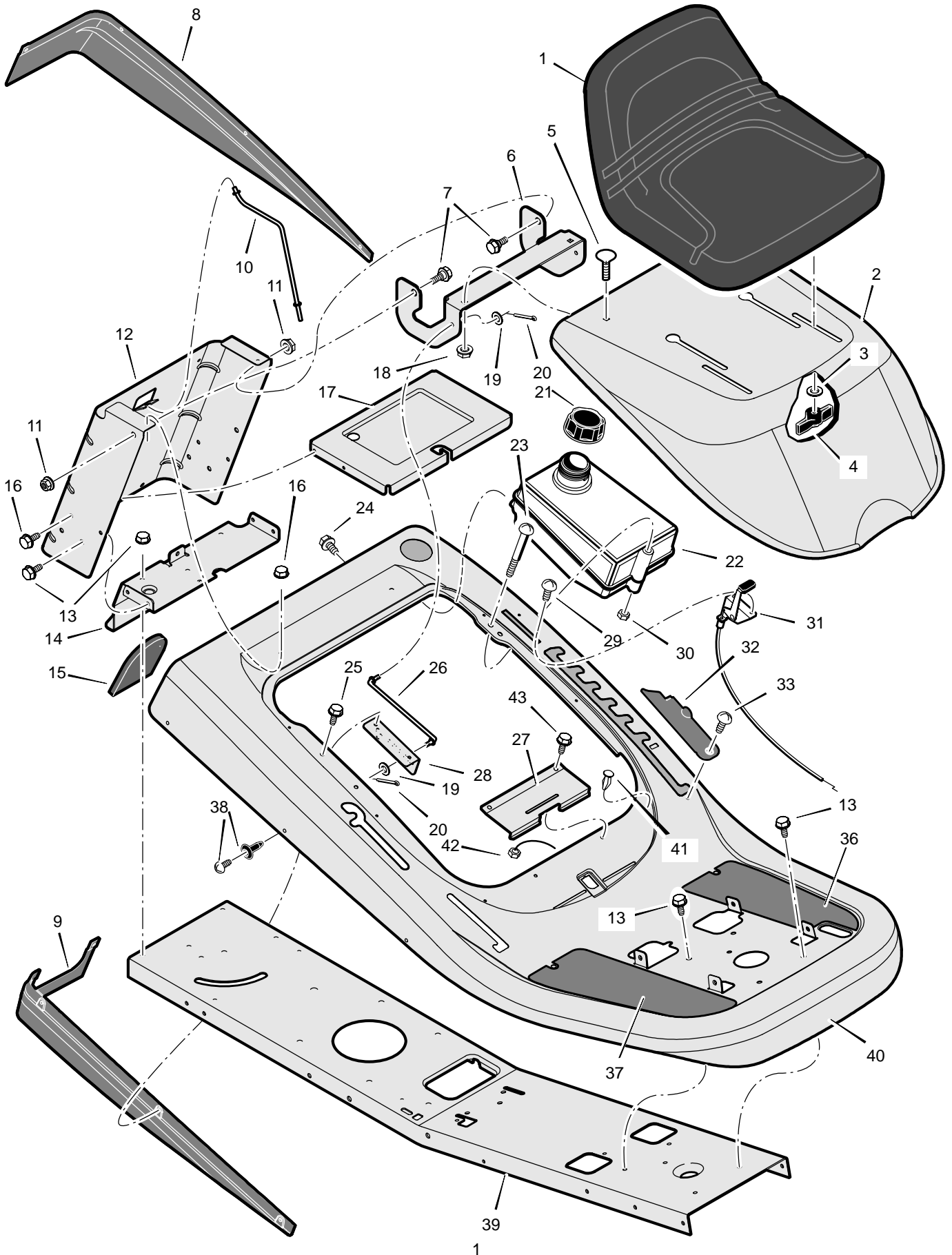


MODEL 309015x50A

REPAIR PARTS CHASSIS & HOOD



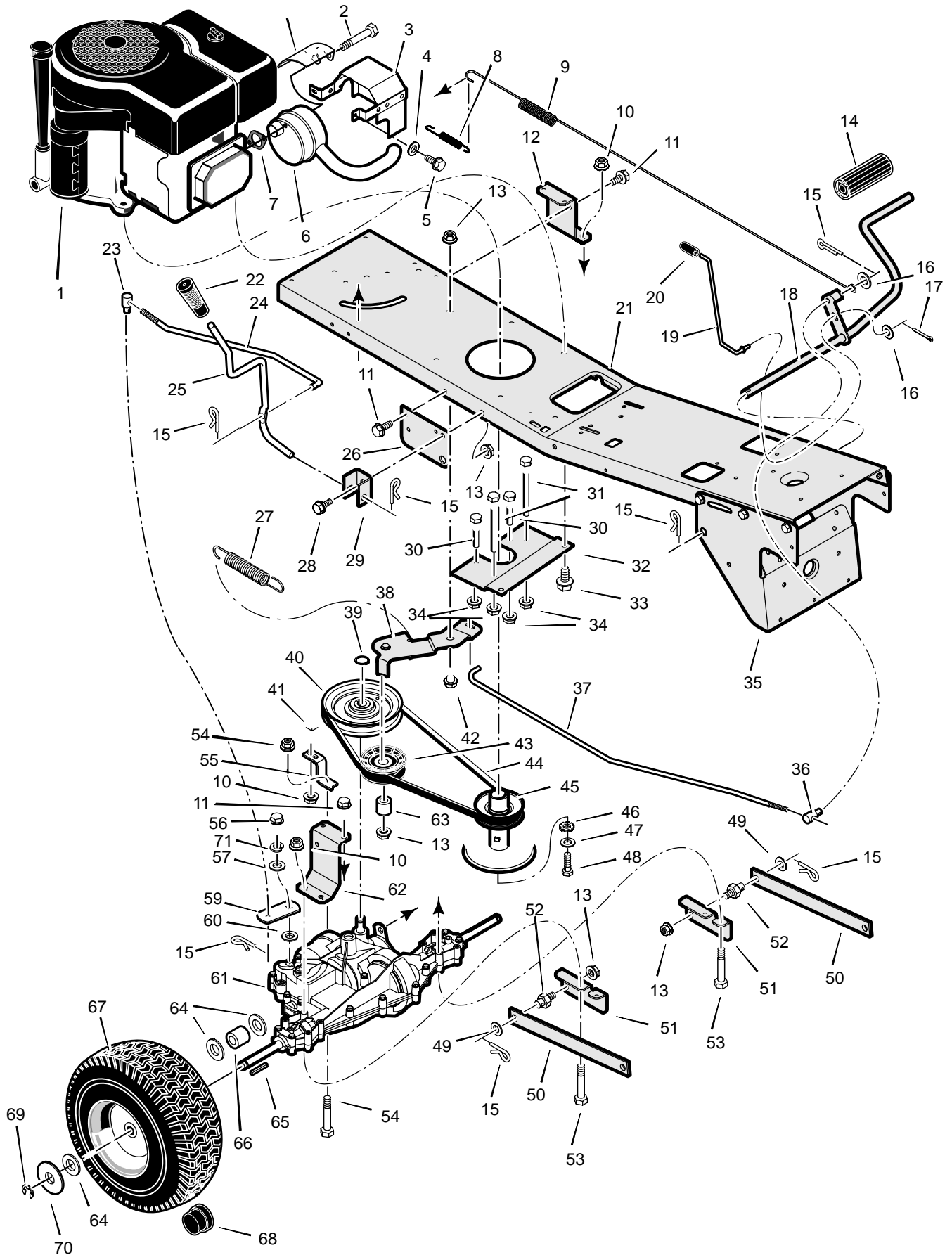
MODEL 309015x50A

REPAIR PARTS CHASSIS & HOOD

Key No.	Description	Part No.	Key No.	Description	Part No.
1	Seat	690567	22	Tank, Fuel	1401071
2	Hood	1401027E200	23	Screw	6x111
3	Washer	17x47	24	Screw	710246
4	Bolt, Wing	1001054	25	Screw	710197
5	Bolt, Carriage	2x53	26	Rod, Hood Prop	1401110
6	Bracket, Hinge	1401036	27	Spring, Seat Deck	1401041E200
7	Bolt, Shoulder	9x29	28	Bracket, Prop Rod	1401056E200
8	Trim, Gray Left	1401075	29	Screw	26x201
8	Trim, Gray Right	1401074	30	Nut, NY-Lock	15x116
10	Rod, Battery	1401113	31	Control, Throttle	1401169
11	Nut, Flange	15x84	32	Cover, Gray Detent	1401214
12	Plate, Rear	1401025E200	33	Bolt, Shoulder	9x47
13	Screw	26x249	36	Footmat, Left	4000-548
14	Plate, Hitch	1401050E200	37	Footmat, Right	4000-546
15	Cover, Gray	1401211	38	Fastener, Trim	1401109
16	Screw	26x263	39	Frame	1401029E200
17	Tray, Battery	1401076E200	40	Deck, Seat	1401219E200
18	Nut, Flange	15x79	41	Bumper	94744
19	Washer	17x47	42	Nut	782585
20	Pin, Cotter	30x20	43	Screw	25x2
21	Cap, Fuel Tank	92317	--	Book, Instruction	F-010602J

MODEL 309015x50A

REPAIR PARTS MOTION DRIVE



MODEL 309015x50A

REPAIR PARTS MOTION DRIVE

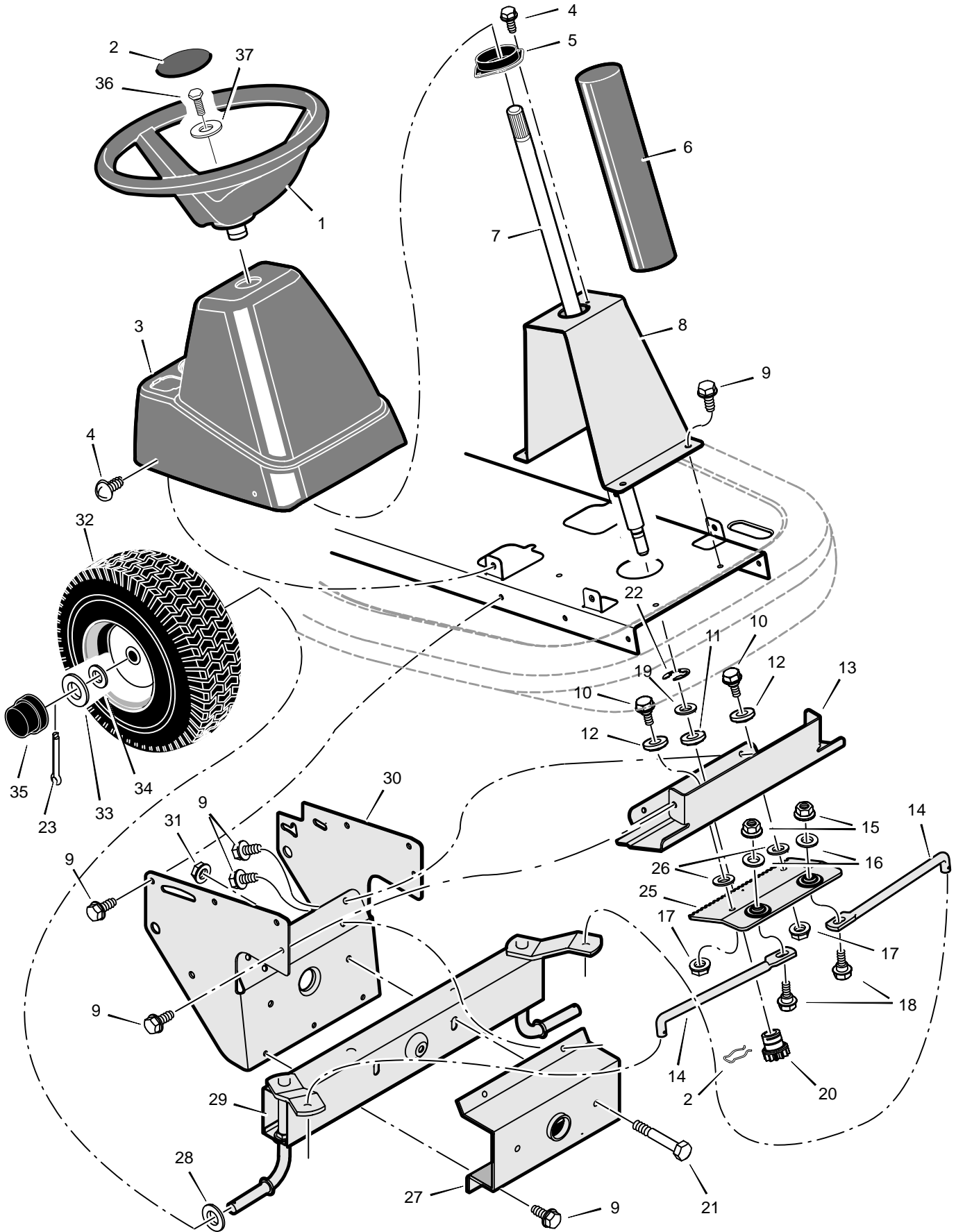
Key No.	Description	Part No.	Key No.	Description	Part No.
1	Engine, Briggs & Stratton	1401154	36	Nut, Adjusting	94815
2	Bolt, Hex – Muffler	1x118	37	Rod, Clutch	1401078
3	Shield Assembly, Heat	1401152	38	Clutch Arm Assembly	1401128
4	Lockwasher	18x32	39	Ring, Retainer	11x7
5	Screw	25x2	40	Pulley, Drive	1401077
6	Muffler	1401153	41	Bolt, Carriage	2x53
7	Gasket, Muffler	91309	42	Bolt, Shoulder	9x39
8	Spring, Extension	165x75	43	Pulley, Idler	690410
9	Spring, Extension	165x148	44	Belt, Motion Drive	37x110
10	Nut	15x88	45	Pulley, Split Stack	1401066
11	Screw	26x249	46	Washer, Star	19x35
12	Bracket, Transaxle –Left	1401042	47	Washer	17x170
13	Nut, Flange	15x84	48	Bolt, Hex	1x140
14	Cover, Pedal	21544	49	Washer	17x102
15	Pin, Cotter	30x20	50	Arm, Rear	1401031
16	Washer	17x53	51	Bracket, Rear Hanger	1401039
17	Pin, Cotter	30x20	52	Pin, Threaded Shoulder	94067
18	Pedal Assembly	1401127E200	53	Bolt, Hex	1x155
19	Rod, Parking Brake	1401112	54	Bolt	180087
20	Grip, Parking Brake Rod	91079	55	Bracket, Torque Reactor	1401051
21	Frame	1401029E200	56	Screw	1x145
22	Grip, Gray Shift Lever	92929	57	Washer, Shift Yoke	710657
23	Nut, Adjusting	1401148	59	Yoke, Shift	1401093
24	Link, Shift	1401122	60	Washer	17x148
25	Lever, Shift	1401111	61	Transaxle, Peerless	1401091
26	Bracket, Lift Pivot	1401032	62	Bracket, Transaxle	1401042
27	Spring, Extension	165x147	63	Spacer	690369
28	Bolt, Shoulder	9x39	64	Washer	17x160
29	Bracket, Pivot	1401043	65	Key, Square	56534
30	Guide, Belt –Short	1401104	66	Spacer, Rear Wheel	1401103
31	Guide, Belt –Long	1401105	67	Wheel, Rear –15”	1401120
32	Plate, Belt Guide	1401057	68	Cap, Hub	94618
33	Bolt	25x7	69	E–Ring	11x3
34	Nut, Flange	15x79	70	Washer	17x195
35	Bracket, Support	1401059	71	Lockwasher, Split	18x32

* When you order a tire, make sure to give the brand name of the tire so that the tread pattern on the tire will match.

** For information on Replacement Parts see the Central Parts Distributor in your area.

MODEL 309015x50A

REPAIR PARTS STEERING

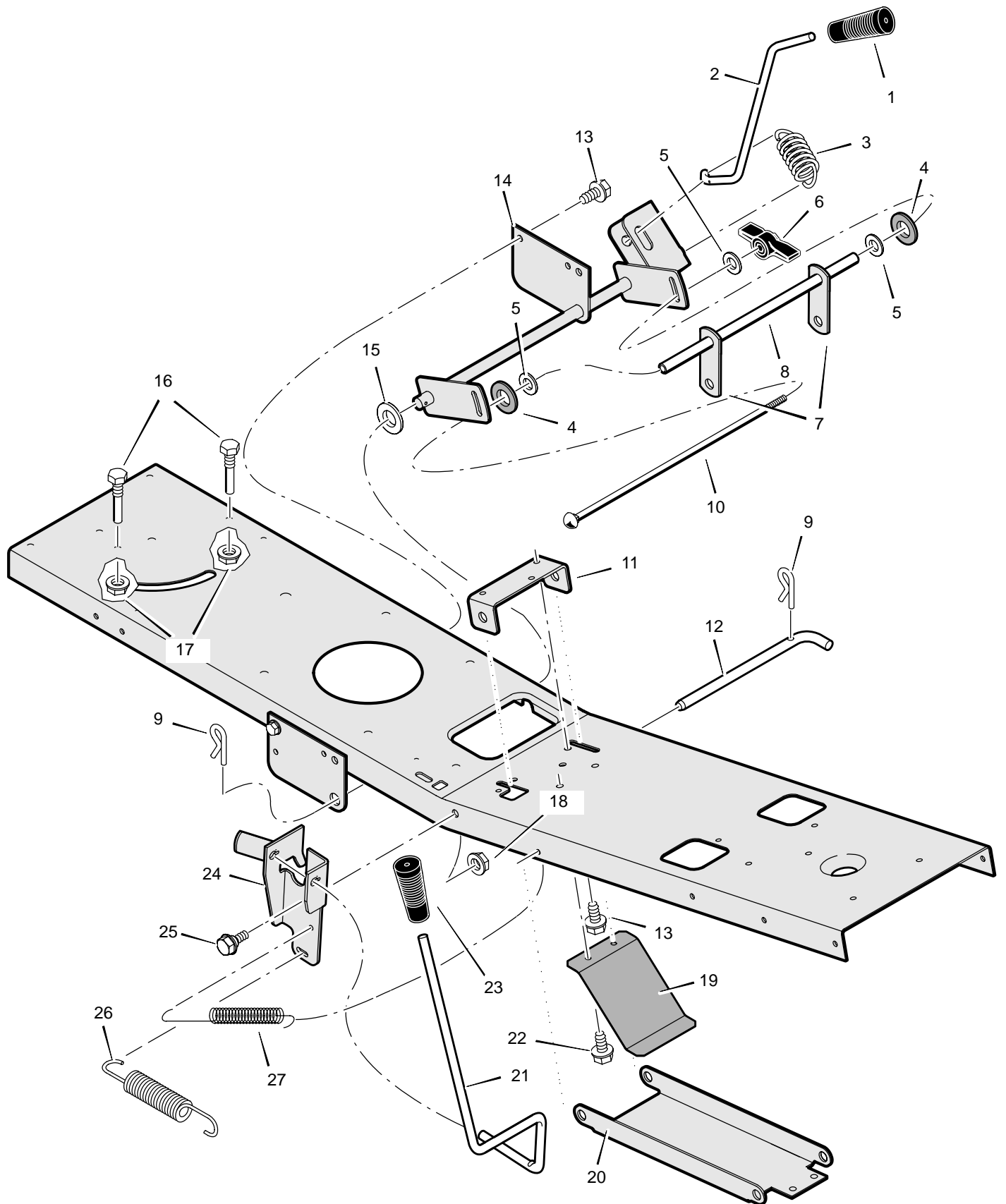


MODEL 309015x50A

REPAIR PARTS STEERING

Key No.	Description	Part No.	Key No.	Description	Part No.
1	Wheel, Gray Steering	95184	19	Washer	17x118
2	Cap, Steering	711326	20	Gear, Pinion	1401099
3	Console, Low –Black	1401044	21	Bolt, Hex	1x146
--	Console, Low –Grey	1401045	22	E–Ring, Retainer	11x28
4	Screw	26x270	23	Pin, Cotter	137185
5	Bearing, Upper Steering	1401090	25	Rack, Steering	1401046
6	Tube, Gray Steering	1401213	26	Washer	785373
7	Shaft, Steering	1401100	27	Bracket, Axle Front	1401060
8	Support, Steering	1401055	28	Washer	17x157
9	Screw	26x249	29	Axle & Spindle Assembly	1401126
10	Bolt, Shoulder	9x67	30	Bracket, Support	1401059
11	Bearing, Lower Steering	1401098	31	Nut, Flange	15x118
12	Roller	1401102	32	Wheel, Front	1401143
13	Plate, Gear Mounting	1401058	33	Washer	17x197
14	Link, Drag	1401123	34	Washer	17x157
15	Nut, Flange	15x84	35	Cap, Hub	94618
16	Washer	17x104	36	Bolt	711719
17	Nut, Flange	15x88	37	Washer	711720
18	Bolt, Hex	1x111			

* When you order a tire, make sure to give the brand name of the tire so that the tread pattern on the tire will match.



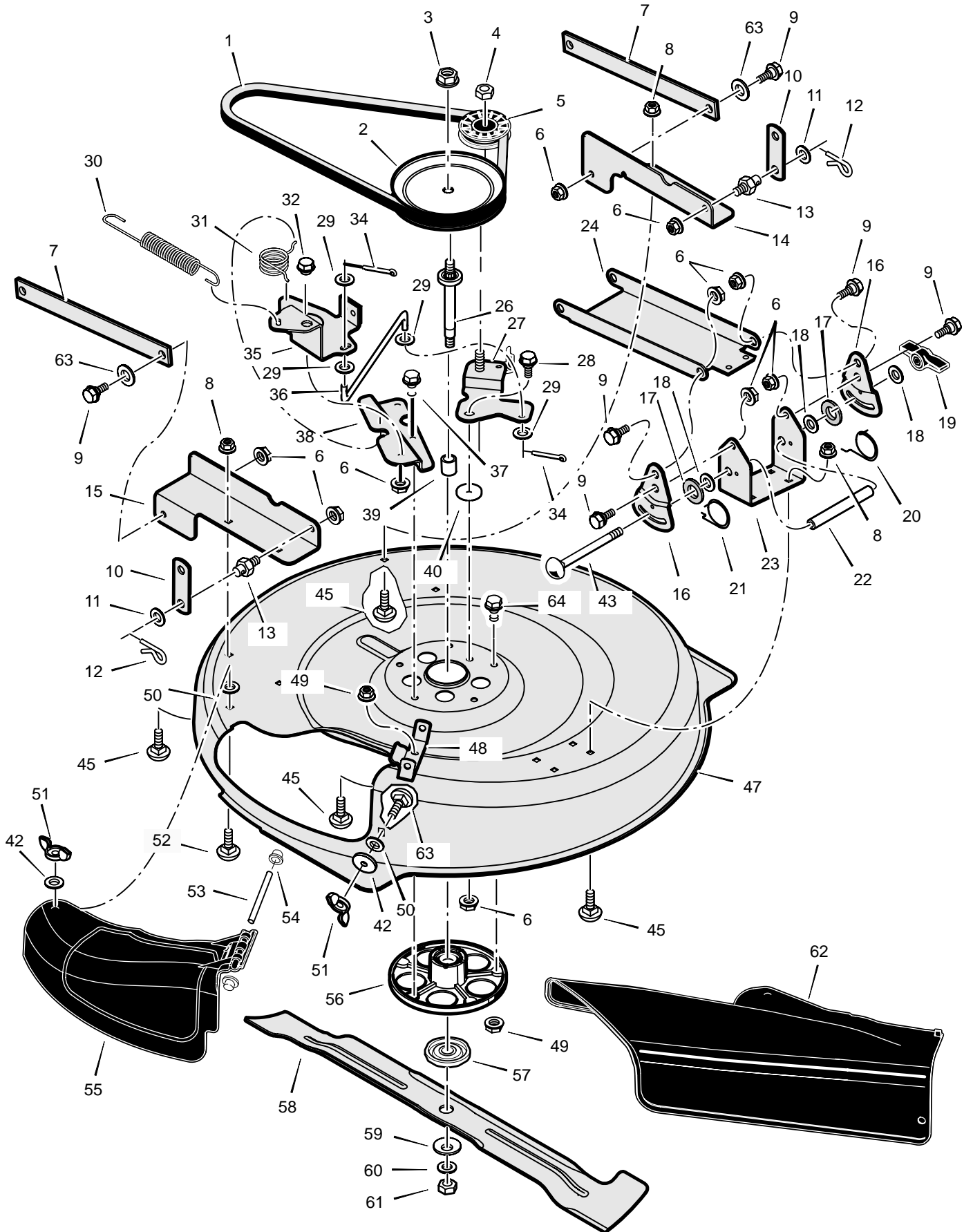
MODEL 309015x50A

REPAIR PARTS MOWER HOUSING SUSPENSION

Key No.	Description	Part No.	Key No.	Description	Part No.
1	Grip, Gray Lift Lever	92929	15	Washer	17x165
2	Lever, Lift	1401117	16	Screw, Guide	93349
3	Spring, Extension	165x154	17	Nut, Flange	15x79
4	Pad, Friction	94137	18	Nut, Flange	15x84
5	Washer	17x45	19	Spring, Leaf	1401147
6	Wingnut	95004	20	Hanger, Front	1401040
7	Link, Lift	1401033	21	Lever, PTO	1401116
8	Tube, Spacer	1401096	22	Screw	26x263
9	Pin, Hair	31x4	23	Grip, PTO	94198
10	Bolt, Carriage	2x93	24	Bracket, PTO	1401199
11	Bracket, Front Hanger Pivot	1401030	25	Bolt, Shoulder	9x42
12	Pin, Front Hanger	1401118	26	Spring, Extension	165x149
13	Screw	26x249	27	Spring, Extension	165x92
14	Arm Assembly, Lifter	1401129			

MODEL 309015x50A

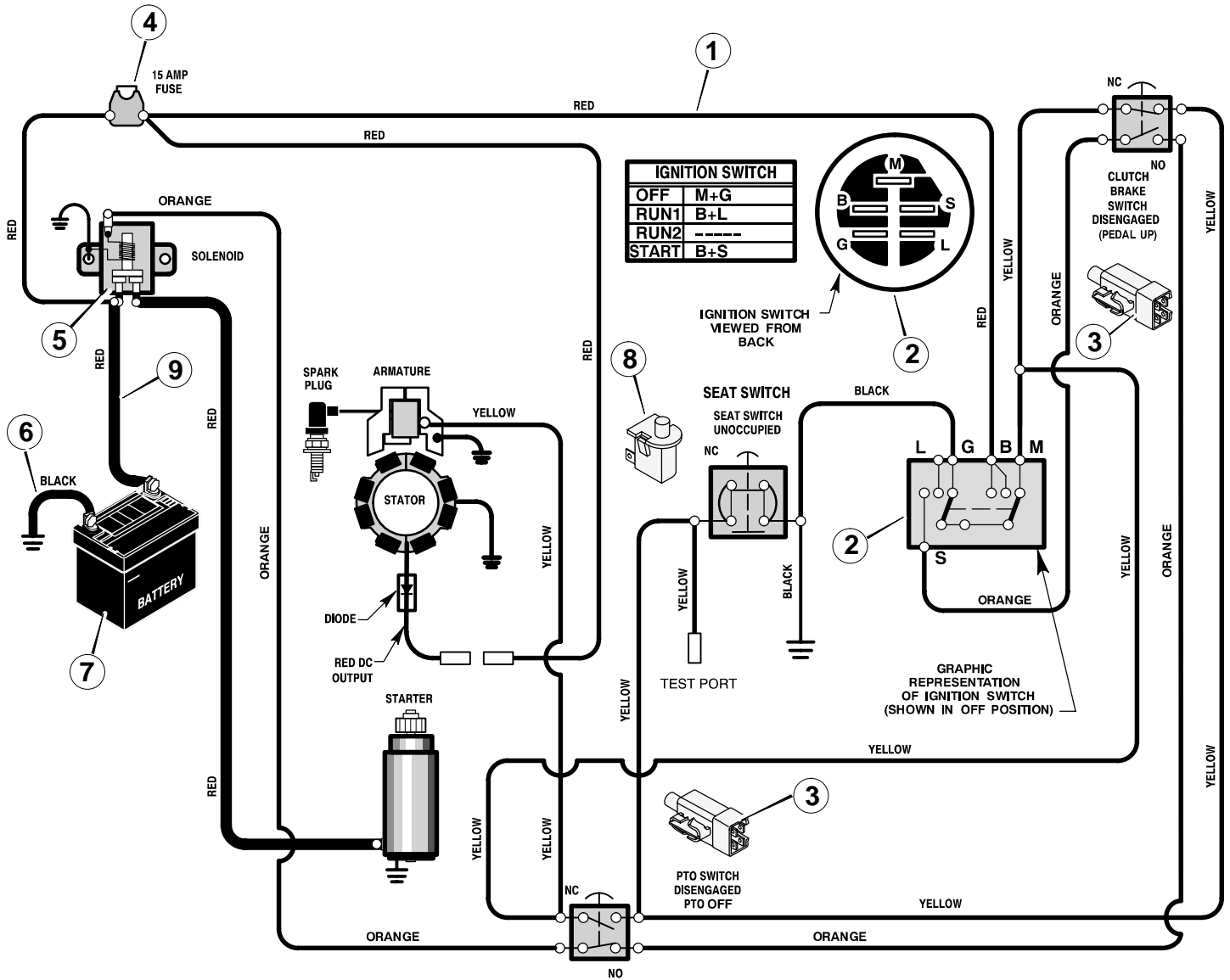
REPAIR PARTS MOWER HOUSING



MODEL 309015x50A

REPAIR PARTS MOWER HOUSING

Key No.	Description	Part No.	Key No.	Description	Part No.
1	Belt, Blade Drive	37x111	32	Bolt, Shoulder	9x42
2	Pulley, Input	1401092	34	Pin, Cotter	30x20
3	Locknut	15x121	35	Arm Assembly, Brake	1401185
4	Nut, Flange	15x98	36	Link, Idler Arm	1401119
5	Pulley, Idler	690410	37	Bolt	25x7
6	Nut, Flange	15x84	38	Bracket, Brake Mounting	1401052
7	Arm, Rear	1401031	39	Spacer, Jackshaft	1401094
8	Nut, Flange	15x79	40	Washer	1401097
9	Bolt, Shoulder	9x58	42	Washer	19x45
10	Link, Lift	1401033	43	Bolt, Carriage	2x94
11	Washer	17x102	45	Bolt, Carriage	2x53
12	Pin, Hair	31x4	47	Housing, Blade	1401028
13	Pin, Threaded Shoulder	94067	48	Hinge, Mulching Cover	1401106
14	Bracket, Left Rear	1401047	49	Nut, Flange	15x88
15	Bracket, Right Rear	1401048	50	Nut, Speed	28x76
16	Plate, Adjustment	1401038	51	Wingnut	14x86
17	Pad, Friction	94137	52	Bolt, Carriage	2x74
18	Washer	17x45	53	Rod, Chute Deflector	91767
19	Wingnut	95004	54	Cap, Push	28x23
20	Spring, Left Torsion	166x43	55	Cover, Gray Mulch	1401217
21	Spring, Right Torsion	166x42	56	Mandrel Housing	94305
22	Tube, Spacer	1401095	57	Adapter, Blade	92466
23	Bracket, Deck	1401037	58	Blade	1401079
24	Hanger, Front	1401040	59	Washer, Cup	17x166
26	Shaft, Splined	1401065	60	Washer	17x165
27	Arm, Idler	1401186	61	Nut, Blade Mount	15x100
28	Bolt, Shoulder	9x39	62	Deflector, Gray Chute	1401218
29	Washer	17x47	63	Bolt, Carriage	2x74
30	Spring, Extension	165x149	64	Bolt	1x84
31	Spring, Torsion	166x46			



MODEL 309015x50A

REPAIR PARTS ELECTRICAL SYSTEM

Key No.	Description	Part No.
1	Harness, Chassis Wire	250x103
2	Switch, Ignition	1401149
	Key, Ignition	327349
	Nut, Hex	
	Cap, Ignition	
3	Switch, Limit	94136
4	Fuse	54212
	Holder, Fuse	407078
5	Solenoid	94613
	Screw, Mounting	26x214
	Locknut	15x116
6	Cable, Battery Ground	24x37
	Screw, Ground Cable	
7	Battery	92739
	Bolt, Carriage	2x82
	Wingnut	14x79
8	Switch, Seat Sensor	94159
9	Cable, Red Batery	24x24
	Boot, Positive Terminal	690604