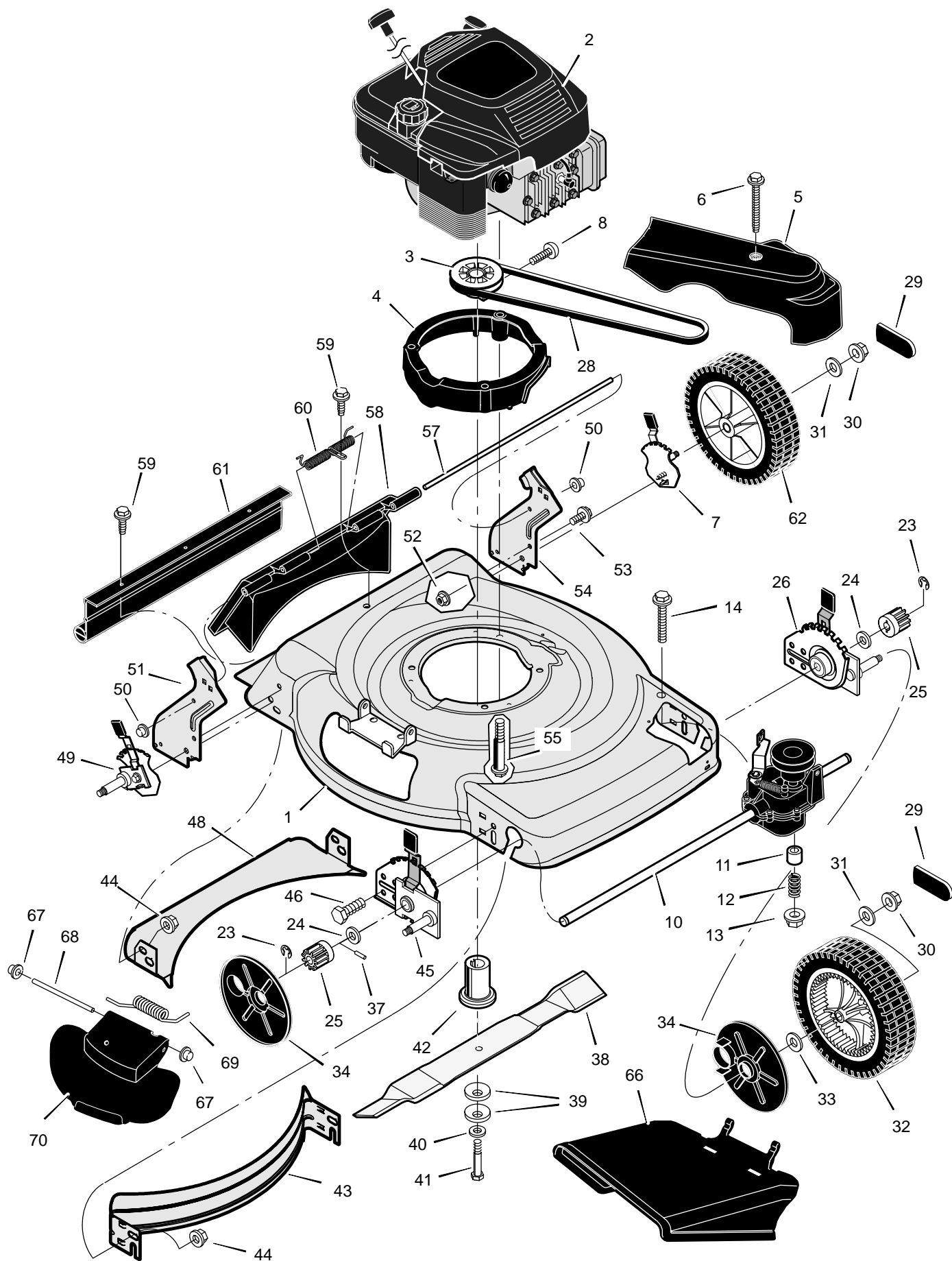


# 22865x50A



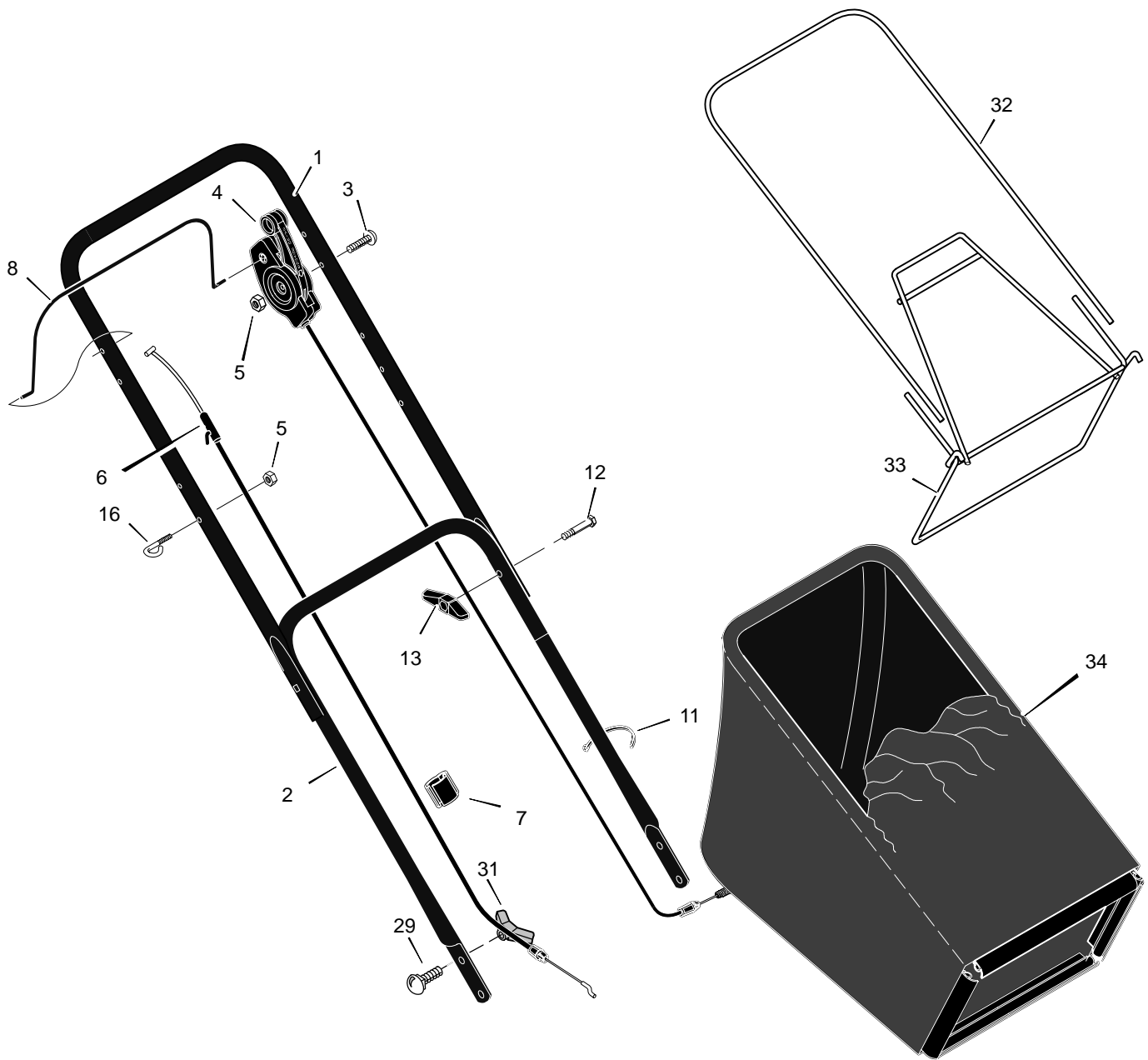
# 22865x50A

Key No.	Description	Part No.	Key No.	Description	Part No.
1	Housing		43	Baffle, Front * *	672915E700
2	Engine *	-----	44	Nut, Flange	015x68
3	Pulley, Drive	1101436	45	Adjuster, Right Front Height	1101028
4	Spacer, Engine (Black)		46	Bolt	001x85
		1101331	48	Baffle, Rear * *	672916E700
5	Cover, Belt (Black)	1101334	49	Adjuster, Right Rear Height	672604
6	Screw	26x303	50	Push On Cap	028x49
7	Adjuster, Left Rear Height	672605	51	Bracket, Right Handle	1101238E245
8	Screw	26x303	52	Nut, Flange	015x79
10	Transmission – <b>Note: There are no internal serviceable parts for the transmission.</b>	1101435	53	Bolt	001x45
			54	Bracket, Left Handle	1101239E245
11	Spacer	043844	55	Bolt, Engine	025x11
12	Spring, Compression	164x27	57	Rod, Pivot	215x22
13	Nut	015x88	58	Door, Rear (Gray)	1101071
14	Bolt	01x156	59	Screw	26x245
23	E–Ring	011x16	60	Spring	166x44
24	Washer	17x186	61	Guard, Rear	1101105
25	Gear, Pinion	071792	62	Wheel & Tire, Rear	071132
26	Adjuster, Left Front Height	1101029	66	Deflector, Chute	672917
28	Belt	37x116	67	Push On Cap	028x42
29	Cap, Hub	672122	68	Rod, Pivot	215x19 Z
30	Nut, Flange	015x84	69	Spring, Torsion	166x38
31	Washer	17x169	70	Cover, Mulch (Gray)	672920
32	Wheel & Tire, Drive	071133	--	Book, Instruction	F–020430L
33	Washer	017x75	--	Decal, Warning Symbol	44x6832
34	Cover, Dust	071780	--	Decal, TUV & GS European Export	44x2929
37	Pin, Drive	043629	--	Decal, Drive Symbols	44x2304
38	Blade	1101120E701	--	Decal, Side Discharge Symbol	48x2061
39	Washer, Belleville	17x137	--	Decal, Belt Pinch Symbol	48x2062
40	Washer	17x124	--	Decal, Stop Lever Symbol	48x1181
41	Bolt	01x144	--	Decal, Sentinel 3n1	48x1157
42	Adapter, Blade	1101336	--		

\* Parts are available from an Authorized Engine Service Center. See “Engines, Gasoline” or “Gasoline Engines” in the yellow pages of the telephone directory.

\*\* Included with Housing, Key No. 1.

# 22865x50A



Key No.	Description	Part No.	Key No.	Description	Part No.
1	Handle, Upper	1101557E724	12	Bolt	002x77
2	Handle, Lower	672906E724	13	Knob	071294
3	Bolt	025x14	16	Guide, Rope	071530
4	Control, Drive	1101344	29	Bolt, Carriage	002x81
5	Locknut	15x116	31	Knob, Plastic	071495
6	Cable, Stop	1101365	32	Tube, Bag	1101075
7	Fastener, Cable	1101353	33	Frame Assembly	1101074
8	Lever, Stop	1101076E701	34	Bag, Cloth	1101036
11	Fastener, Cable	071372			