

228610x50B

MOWER HOUSING ASSEMBLY

Key No.	Part No.	Description	Key No.	Part No.	Description
1		Housing	39	17x137	Washer, Belleville
2	-----	Engine *	40	17x124	Washer
3	1101653	Pulley, Drive	41	01x144	Bolt
4	1101640	Spacer, Engine (Grey)	42	1101336	Adapter, Blade
5	1101568	Cover, Belt (Grey)	43	672915E700	Baffle, Front * *
6	26x304	Screw	44	015x68	Nut, Flange
7	672605	Adjuster, Left Rear Height	45	1101028	Adjuster, Right Front Height
8	26x303	Screw	46	001x85	Bolt
9	672711E245	Extension, Rear	48	672916E700	Baffle, Rear * *
10	1101571	Transmission – Note: There are no internal serviceable parts for the transmission.	49	672604	Adjuster, Right Rear Height
11	043844	Spacer	50	028x49 †	Retainer, Push
12	164x27	Spring, Compression	51	1101238E700	Bracket, Right Handle
13	015x88	Nut	52	015x79	Nut, Flange
14	01x156	Bolt	53	001x45	Bolt
23	011x16	E-Ring	54	1101239E700	Bracket, Left Handle
24	17x186	Washer	55	025x11	Bolt, Engine
25	071792	Gear, Pinion	57	215x21 †	Rod, Pivot
26	1101029	Adjuster, Left Front Height	58	1101071	Door, Rear (Grey)
28	37x123	Belt	59	26x245	Screw
29	672122	Cap, Hub	60	166x44 †	Spring
30	015x84	Nut, Flange	61	1101105	Guard, Rear
31	17x169	Washer	62	071132	Wheel & Tire, Rear
32	071133	Wheel & Tire, Drive	66	6372917	Deflector, Chute (Grey)
33	017x75	Washer	67	028x42	Push On Cap
34	071780	Cover, Dust	68	215x19 Z	Rod, Pivot
37	043629	Pin, Drive	69	166x38	Spring, Torsion
38	1101120E701	Blade	70	672920	Cover, Mulch (Grey)
			--	F-040423L	Book, Instruction

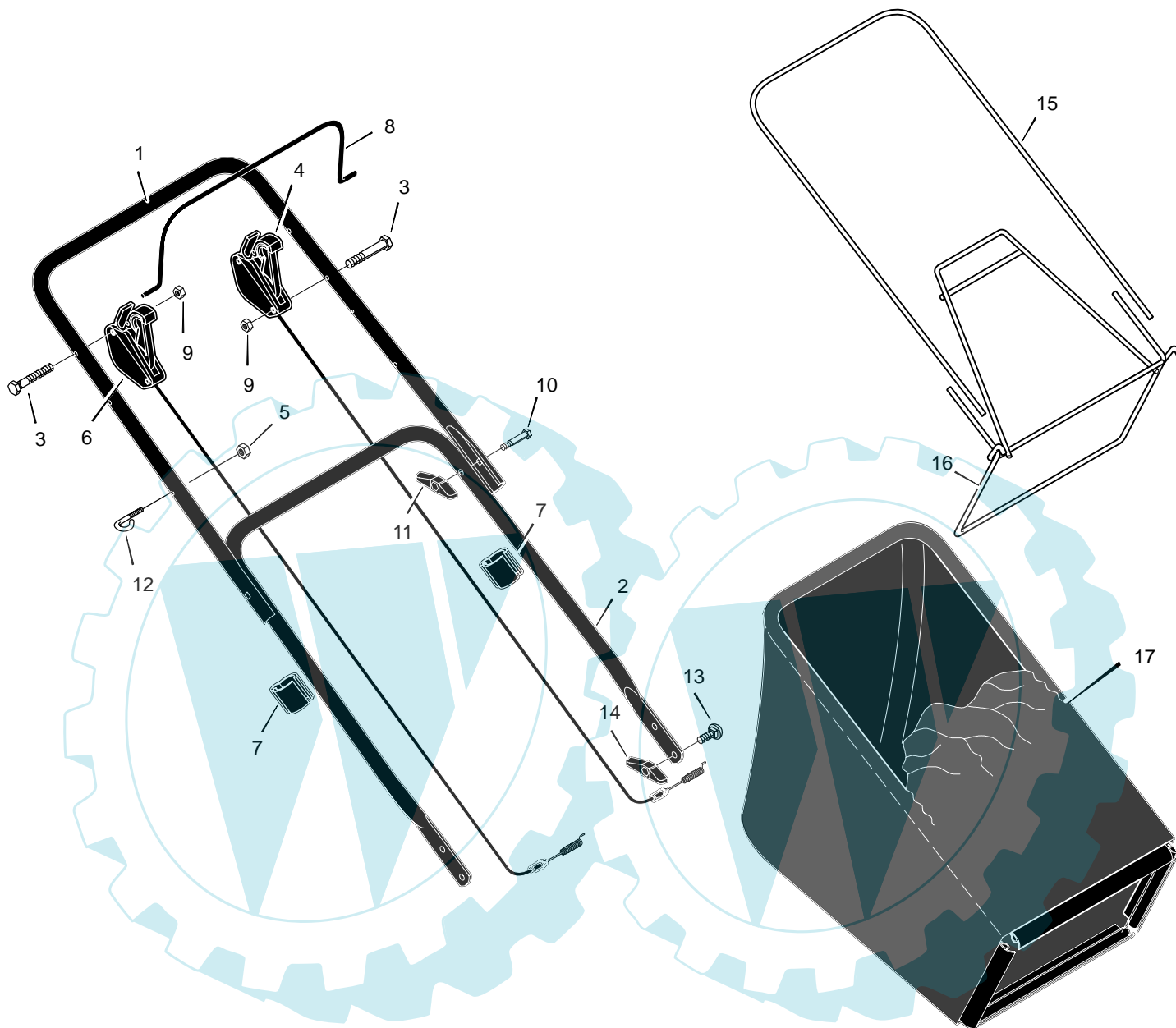
* For information on Replacement Parts for this engine contact the manufacturer.

** Included with Housing, Key No. 1.

† Included with Key No. 58.

228610x50B

HANDLE & BAG ASSEMBLY



Key No.	Part No.	Description
1	1101613E724	Handle, Upper
2	672906E724	Handle, Lower
3	26x307	Bolt
4	1101676	Control, Drive
5	15x116	Locknut
6	1101611	Control, Starter
7	1101353	Fastener, Cable
8	1101612E701	Lever, Stop
9	15x142	Nut

Key No.	Part No.	Description
10	002x77	Bolt
11	071294	Knob
12	071530	Guide, Rope
13	002x81	Bolt, Carriage
14	071495	Knob, Plastic
15	1101075	Tube, Bag
16	1101074	Frame Assembly
17	1101614	Bag, Cloth