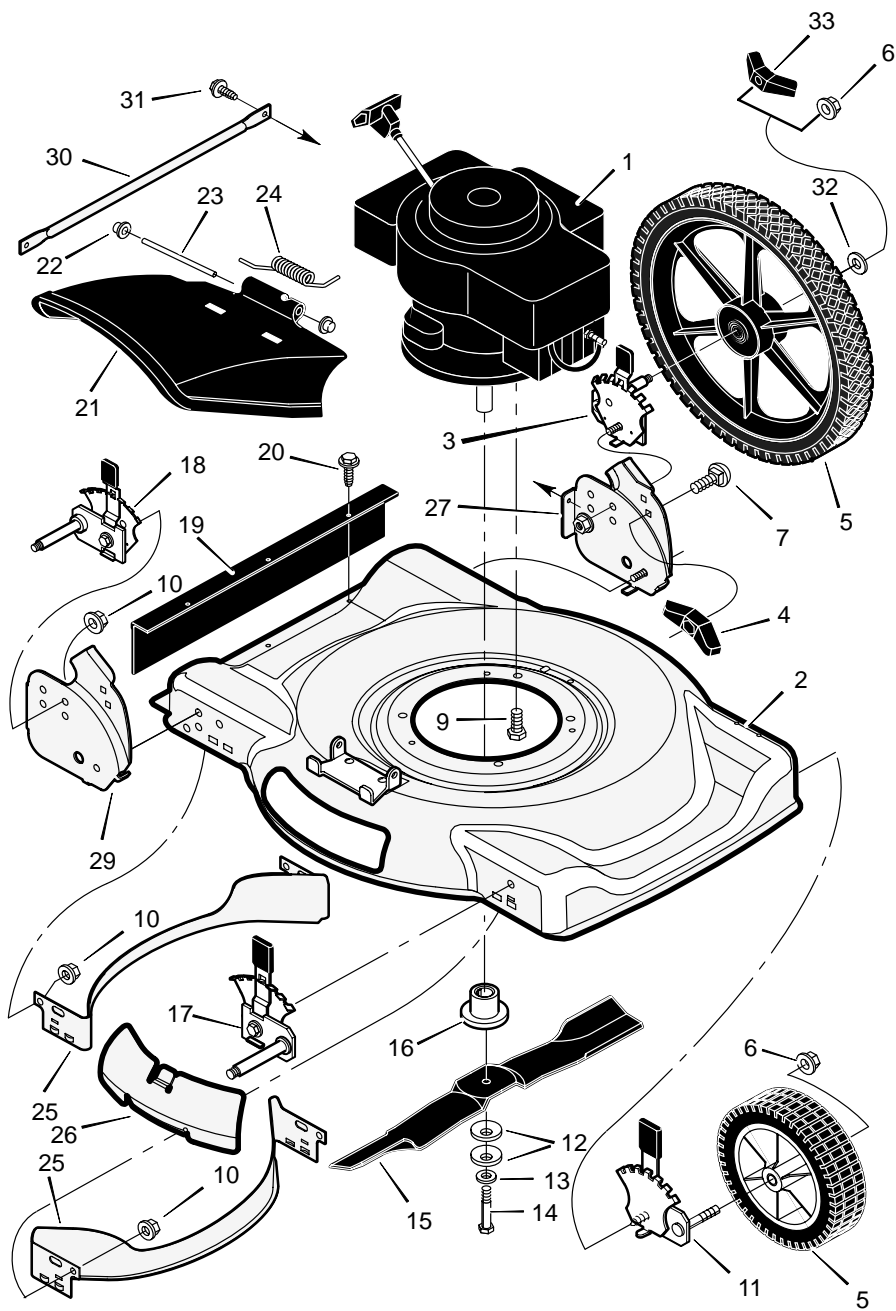


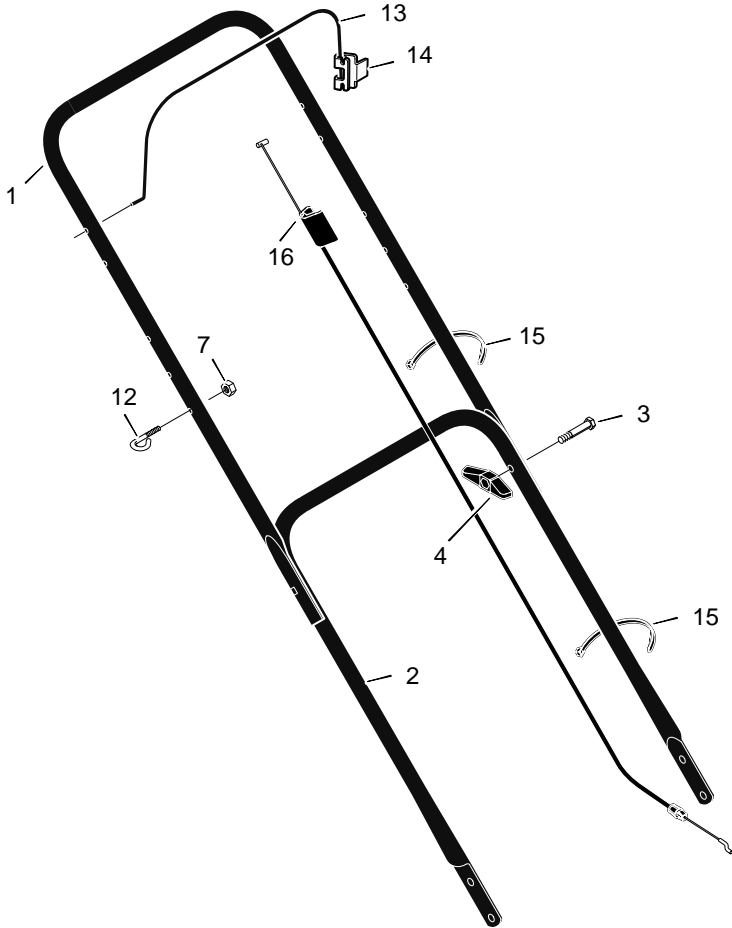
MODEL 22526x194A



MODEL 22526x194A

KEY NO.	DESCRIPTION	PART NO.
1	Engine	_____
2	Housing	776024
3	Height Adjuster, Left Rear	672645
4	Knob	71495
5	Wheel and Tire, Front Wheel and Tire, Rear (Hi-Wheel)	672060 672074
6	Locknut, Flange	15x84
7	Bolt, Carriage	2x81
9	Bolt, Engine	25x6
10	Nut	15x68
11	Height Adjuster, Left Front	672601
12	Washer, Belleville	17x137
13	Washer	17x124
14	Bolt, Hex	1x142
15	Blade, Side Discharge	42225E701
15	Blade	672735E701
16	Adapter, Blade	71056
17	Height Adjuster, Right Front	672600
18	Height Adjuster, Right Rear	672644
19	Guard, Rear	672738
20	Screw	26x245
21	Deflector, Chute	672421
22	Push-On Cap	28x42
23	Pin, Pivot	215x11 Z
24	Spring	166x5
25	Baffle	672744E701
26	Plate, Mulcher (<i>Optional Accessory</i>)	672422 Z
27	Bracket, Left Handle	672349E700
29	Bracket, Right Handle	672348E700
30	Brace	672728E700
31	Screw	26x263
32	Washer	17x91 Z
33	Knob, Axle	672449
-	Book, Instruction	F-000400L

MODEL 22526x194A



KEY NO.	DESCRIPTION	PART NO.	KEY NO.	DESCRIPTION	PART NO.
1	Handle, Upper (Black)	71581E701	12	Guide, Rope	71530
2	Handle, Lower (Black)	71137E701	13	Engine Stop Lever	43653E700
3	Bolt	2x77	14	Bracket, Stop Lever	43628 BC
4	Knob, Plastic	71294	15	Fastener, Cable	71372
7	Locknut	15x116	16	Engine Stop Cable	672838