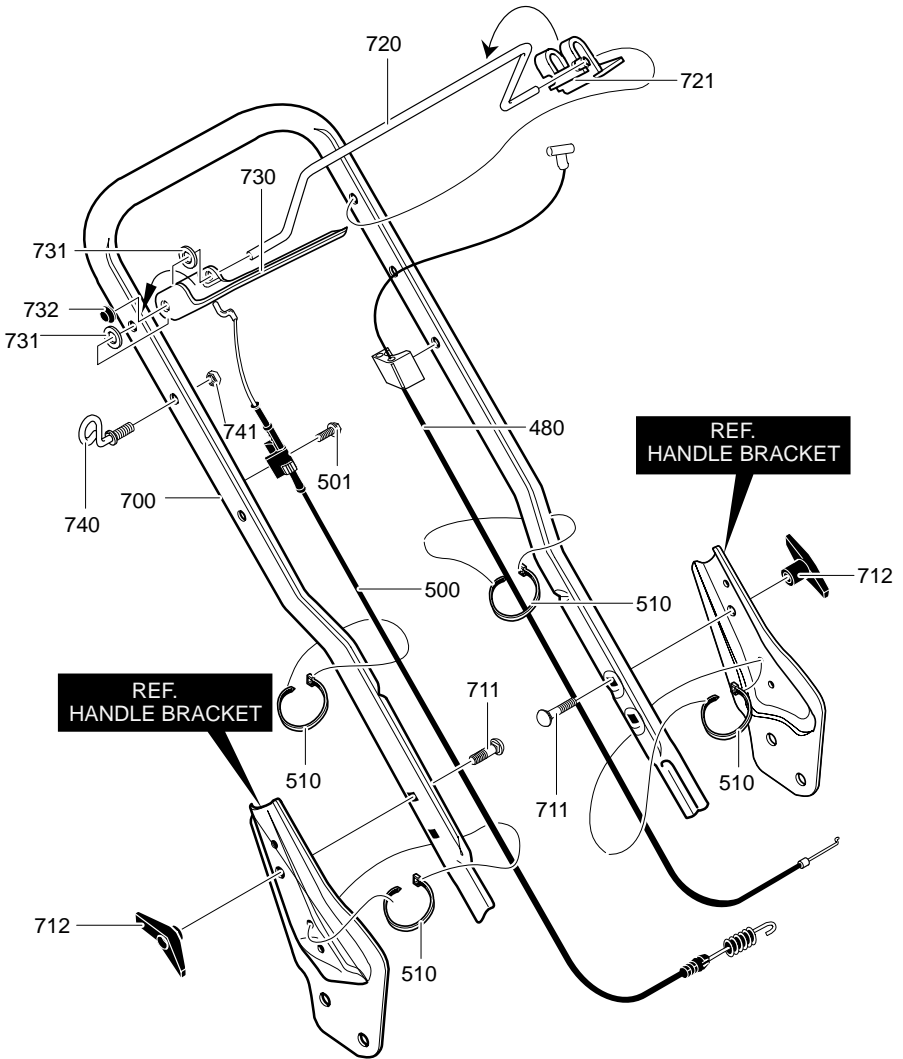


MODEL 21845x6A

KEY NO.	DESCRIPTION	PART NO.
10	ENGINE (SEE ENGINE MANUAL) ‡	‡
12	SCREW, 3/8-16X1.00	47792
14	WOODRUFF KEY	2125
50	BLADE, 21" MULCH	71584
51	ADAPTER, BLADE 21"	671058
53	WASHER, BEVELLE	710210
54	WASHER, FLAT.406X.812X.06	710207
55	SCREW, 3/8-24X1.50	710163
80-20	BRACKET, HANDLE RH	672766
80-30	BRACKET, HANDLE LH	672767
80-35	SCREW, 5/16-18X.63	710277
80-36	NUT, 5/16-18, HEXWDFLK WHIZ	710204
80-40	QUADRANT, HEIGHT ADJ	672276
600	DEFLECTOR, REAR	43640
601	SCREW, 10-16X.50	710271
610	DOOR, REAR 21	71409
611	SPACER,RR DOOR	71410
612	SCREW, 10-16X.50	710273
613	ROD, PIVOT RR DOOR.25X18.5	672282Z
614	CAP, PUSH ON	710285
615	SPRING, TORSION	340823
	OWNER'S MANUAL	F-000477M

‡ Parts are available from an Authorized Engine Service Center. See "Engines, Gasoline" or "Gasoline Engines" in the yellow pages of the telephone directory.

MODEL 21845x6A



WD103

MODEL 21845x6A

KEY NO.	DESCRIPTION	PART NO.
480	CABLE, STOP	1101116
500	CABLE, DRIVE 21	672545
501	SCREW, 10-16X.75	710269
510	CABLE TIE	712267
700	HANDLE	672286-846
711	CARR. BOLT, 5/16-18X2.00	710175
712	WING KNOB	671294
720	STOP LEVER	672429-850
721	BRACKET, STOP LEVER	643628
730	LEVER, DRIVE CONTROL	671566
731	WASHER, NYLON	710491
732	CAP, PUSH ON	710285
740	ROPE GUIDE 1/4-20	672510
741	NUT, 1/4-20	710203

MODEL 21845x6A

NOTE

KEY# 80-2 IS WELDED TO UNDER SIDE OF FRAME. KEY# 60 USED W/ REVERSIBLE BLADE OPTION ONLY.

REF. BLADE ADAPTER

60

REF. BLADE

DETAIL 'A'

PART W/MULCH OPTION ONLY

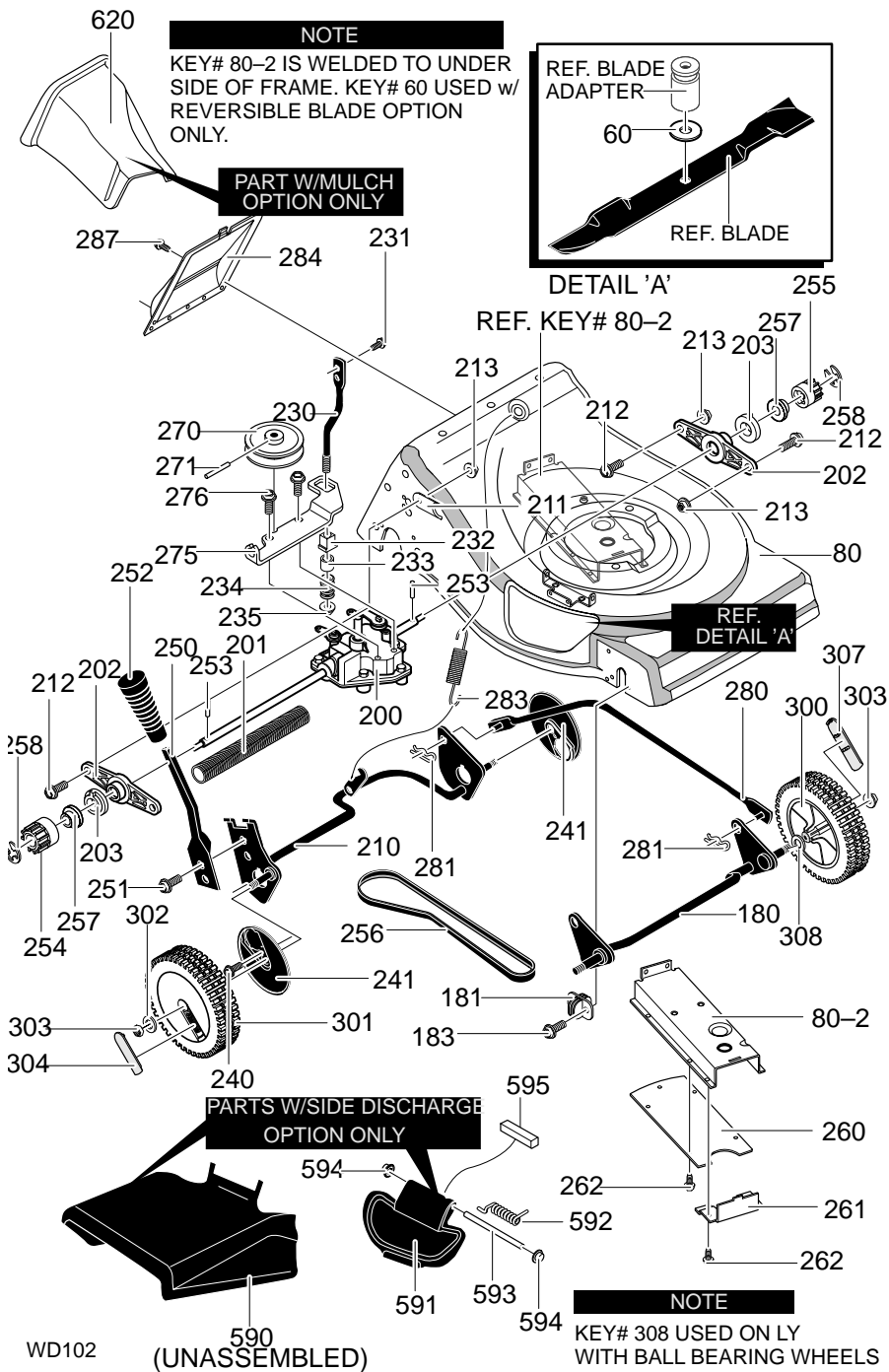
REF. KEY# 80-2

REF. DETAIL 'A'

PARTS W/SIDE DISCHARGE OPTION ONLY

NOTE

KEY# 308 USED ON LY WITH BALL BEARING WHEELS



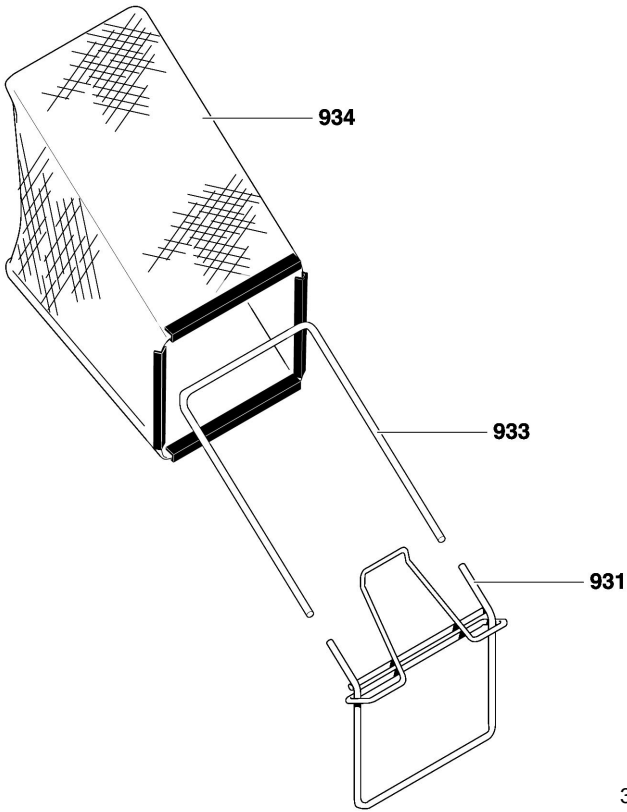
WD102

(UNASSEMBLED)

MODEL 21845x6A

KEY NO.	DESCRIPTION	PART NO.	KEY NO.	DESCRIPTION	PART NO.
80	ASSY, FRAME	672273-850	257	FLAT WASHER	710254
80-2	BELT GUARD	71238	258	RING, RET E	20864
180	CROSSBAR, FRONT	71152-850	260	COVER, LWR BELT	43770-850
181	BUSHING	672279	261	COVER, FRT BELT	71239-850
183	SCREW	710270	262	SCREW, 10-16X.50	710273
200	TRANSMISSION	672042	270	PULLEY, 2L	672269
201	SHIELD, AXLE	643649	271	PIN, SPRING	710294
202	SUPPORT, AXLE	671411	275	BRKT, TRANS. CABLE	671925Z
203	BEARING, LIFTER	643788	276	SCREW, 1/4-20X.50	710264
210	ASSY, CROSSBAR	672277-850	280	ASSY., LINK LIFTER	43721-850
211	RETAINER, BEARING	71482Z	281	HAIR PIN	710292
212	SCREW, 5/16-18X.75	180077	283	SPRING, EXTENSION	711459
213	NUT, 5/16-18	710205	284	COVER, REAR	71246-850
230	SUPPORT, SPRING	71481	287	SCREW, 1.4-20X.63	711863
231	SCREW, 1/4-20X.63	711863	300	TIRE & RIM	671134
232	BUSHING, SPRING	71480	301	WHEEL, DRIVE	671133
233	SPACER	43844	302	FLAT WASHER	710252
234	SPRING, COMP.	710327	303	NUT, 3/8-16	710140
235	NUT, 5/16-18	710205	304	HUB CAP	672122
240	SCREW, 1/4-14X.50	710270	307	HUB CAP	672123
241	DUSTCOVER, 8"	643616	308	SPRING WASHER	710258
250	LEVER, SPRING	672278	590	DEFLECTOR, CHUTE	71770
251	SCREW	710274	591	COVER, MULCH	71769
252	KNOB, HEIGHT ADJ	671297	592	SPRING, TORSION	166X38
253	DRIVE PIN	643629	593	ROD, PIVOT	340827Z
254	GEAR, PINION RT	671904	594	CAP, PUSH ON	710285
255	GEAR, PINION LT	671903	595	SEAL, FOAM	712012
256	BELT, 2L V 15.75L	710190	620	PLUG, MULCHER	71250

MODEL 21845x6A



326165B

KEY NO.	DESCRIPTION	PART NO.
931	ASSY, BAG FRAME	672293
933	FRAME, BAG TOP	71592
934	BAG, 21	672295