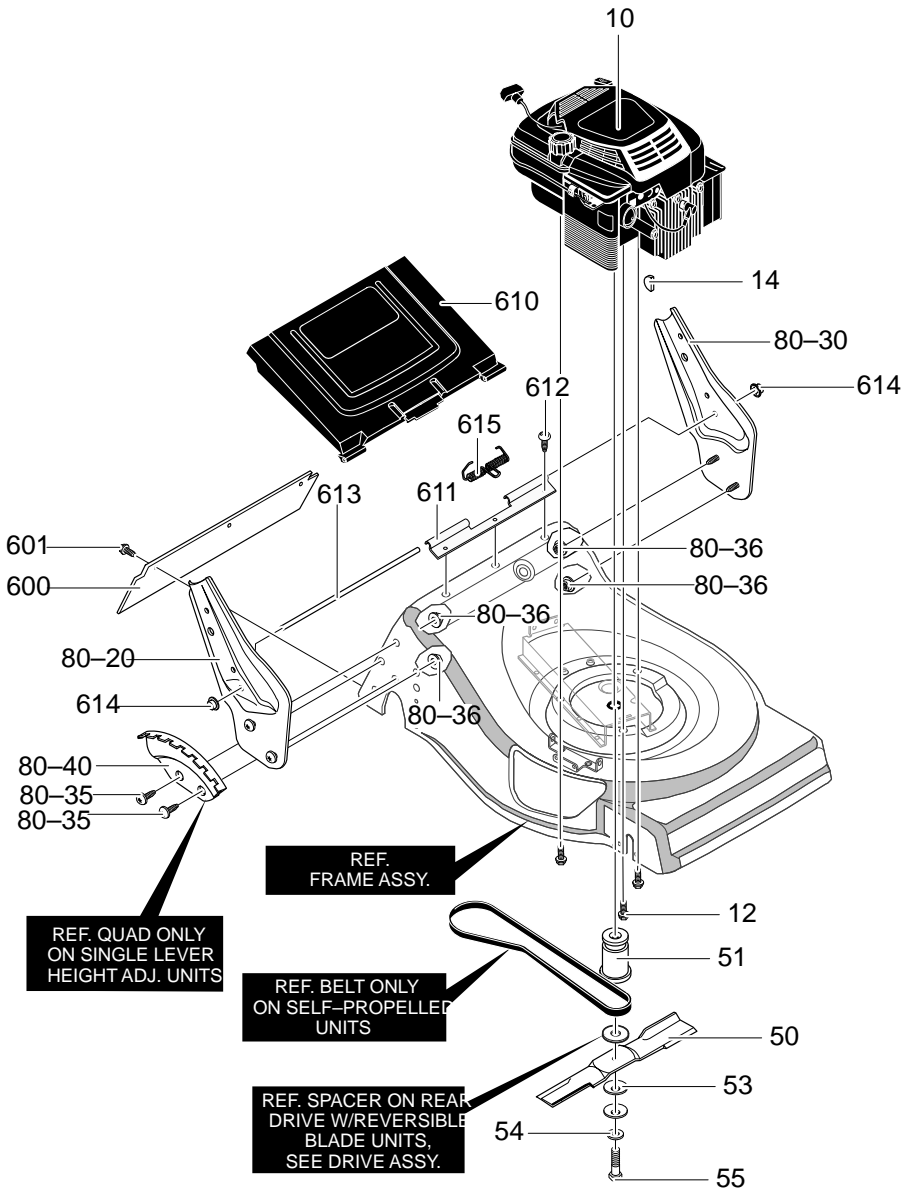


# MODEL 21485x6A



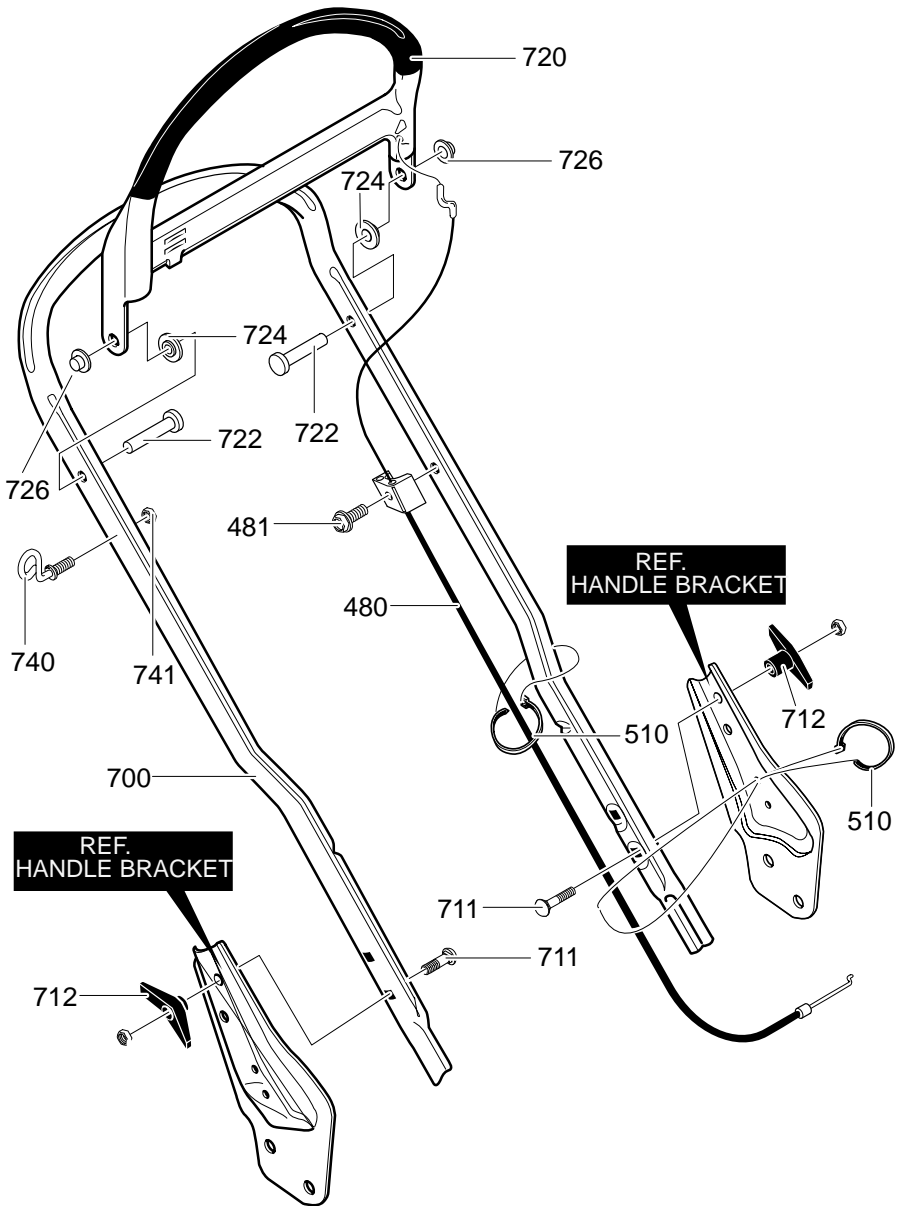
343733B

# MODEL 21485x6A

| KEY NO. | DESCRIPTION                  | PART NO.  |
|---------|------------------------------|-----------|
| 10      | ENGINE (SEE ENGINE MANUAL) ‡ | ‡         |
| 12      | SCREW, 3/8-16X1.00           | 47792     |
| 14      | NOT USED ON THIS UNIT        | ——        |
| 50      | BLADE, 21" MULCH             | 71584     |
| 51      | ADAPTER, BLADE 21"           | 671056    |
| 53      | WASHER, BEVELLE              | 710210    |
| 54      | WASHER, FLAT.406X.812X.06    | 710207    |
| 55      | SCREW, 3/8-24X1.50           | 710163    |
| 80-20   | BRACKET, HANDLE RH           | 672766    |
| 80-30   | BRACKET, HANDLE LH           | 672767    |
| 80-35   | SCREW, 5/16-18X.63           | 710277    |
| 80-36   | NUT, 5/16-18, HEXWDFLK WHIZ  | 710204    |
| 80-40   | QUADRANT, HEIGHT ADJ         | 672276    |
| 600     | DEFLECTOR, REAR              | 43640     |
| 601     | SCREW, 10-16X.50             | 710271    |
| 610     | DOOR, REAR 21                | 71409     |
| 611     | SPACER,RR DOOR               | 71410     |
| 612     | SCREW, 10-16X.50             | 710273    |
| 613     | ROD, PIVOT RR DOOR.25X18.5   | 672282Z   |
| 614     | CAP, PUSH ON                 | 710285    |
| 615     | SPRING, TORSION              | 340823    |
|         | OWNER'S MANUAL               | F-000476M |

‡ Parts are available from an Authorized Engine Service Center. See "Engines, Gasoline" or "Gasoline Engines" in the yellow pages of the telephone directory.

# MODEL 21485x6A

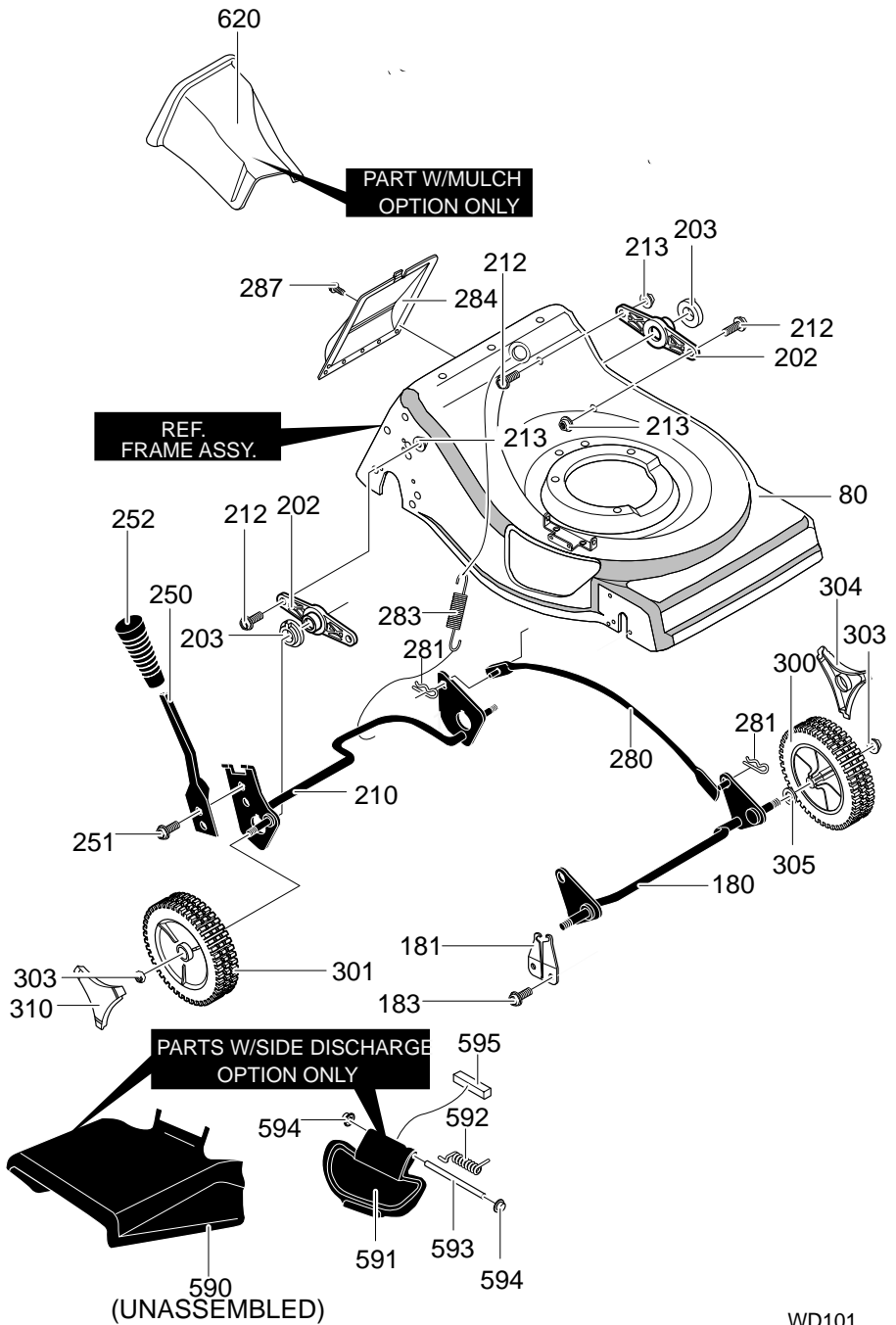


343554C

# MODEL 21485x6A

| KEY NO. | DESCRIPTION              | PART NO.   |
|---------|--------------------------|------------|
| 480     | CABLE, STOP              | 672326     |
| 481     | SCREW, 10-16X.75         | 710269     |
| 510     | CABLE TIE                | 712267     |
| 700     | HANDLE                   | 672285-846 |
| 711     | CARR. BOLT, 5/16-18X2.00 | 710175     |
| 712     | WING KNOB                | 671294     |
| 720     | STOP LEVER               | 1101123    |
| 722     | CLEVIS PIN               | 712105     |
| 724     | SPACER, FLANGE           | 672734     |
| 726     | CAP, RETAINER W/COVER    | 710286     |
| 740     | GUIDE, ROPE 1/4-20       | 672510     |
| 741     | NUT, 1/4-20              | 710203     |

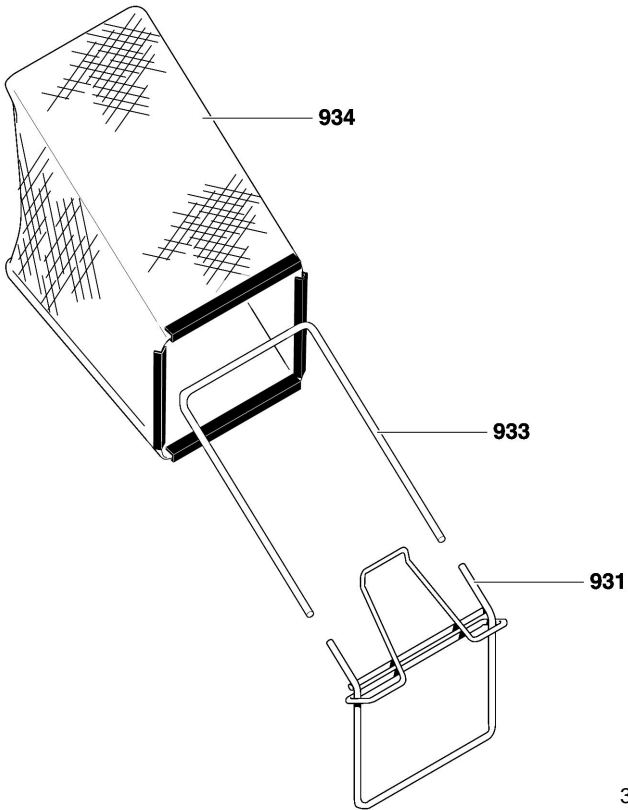
# MODEL 21485x6A



# MODEL 21485x6A

| <b>KEY NO.</b> | <b>DESCRIPTION</b> | <b>PART NO.</b> |
|----------------|--------------------|-----------------|
| 80             | ASSY, FRAME        | 672320-850      |
| 180            | CROSSBAR, FRONT    | 71152-850       |
| 181            | BUSHING            | 672279          |
| 183            | SCREW              | 710270          |
| 202            | SUPPORT, AXLE      | 643790          |
| 203            | BEARING, LIFTER    | 643788          |
| 210            | ASSY, CROSSBAR     | 672277-850      |
| 212            | SCREW, 5/16-18X.75 | 180077          |
| 213            | NUT                | 710205          |
| 250            | LEVER, SPRING      | 672278          |
| 251            | SCREW              | 710274          |
| 252            | KNOB, HEIGHT ADJ   | 671297          |
| 280            | ASSY., LINK LIFTER | 43721-850       |
| 281            | HAIR PIN           | 710292          |
| 283            | SPRING, EXTENSION  | 711459          |
| 284            | COVER, REAR        | 71246           |
| 287            | SCREW, 1.4-20X.63  | 711863          |
| 300            | TIRE & RIM         | 671134          |
| 301            | TIRE & RIM         | 671134          |
| 303            | NUT                | 710140          |
| 304            | HUB CAP            | 672123          |
| 305            | SPRING WASHER      | 710258          |
| 310            | HUB CAP            | 672123          |
| 590            | DEFLECTOR, CHUTE   | 71770           |
| 591            | COVER, MULCH       | 71769           |
| 592            | SPRING, TORSION    | 166X38          |
| 593            | ROD, PIVOT         | 340827Z         |
| 594            | CAP, PUSH ON       | 710285          |
| 595            | SEAL, FOAM         | 712012          |
| 620            | PLUG, MULCHER      | 71250           |

# MODEL 21485x6A



| KEY NO. | DESCRIPTION     | PART NO. |
|---------|-----------------|----------|
| 931     | ASSY, BAG FRAME | 672293   |
| 933     | FRAME, BAG TOP  | 71592    |
| 934     | BAG, 21         | 672295   |