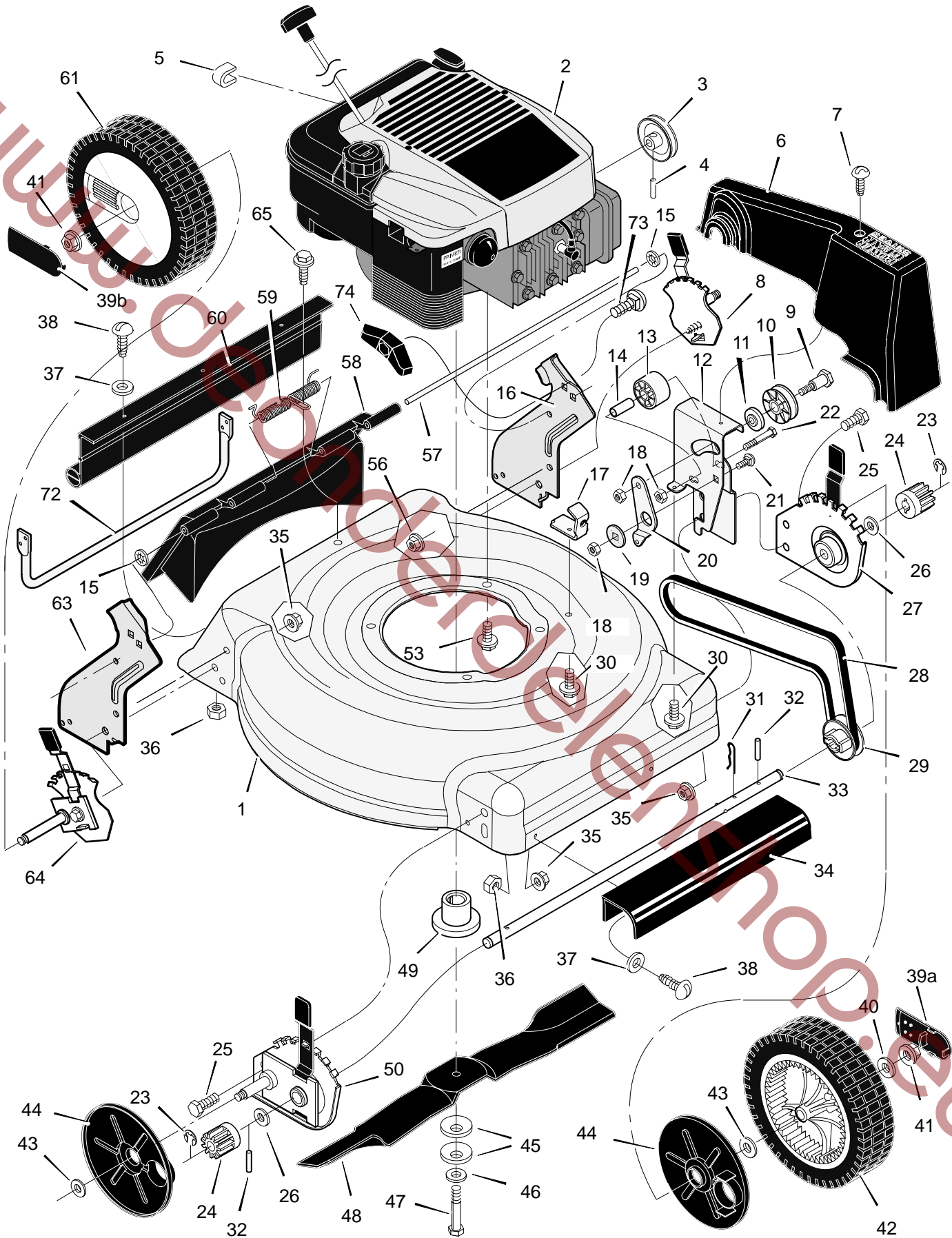


200616x50F

MOWER HOUSING ASSEMBLY

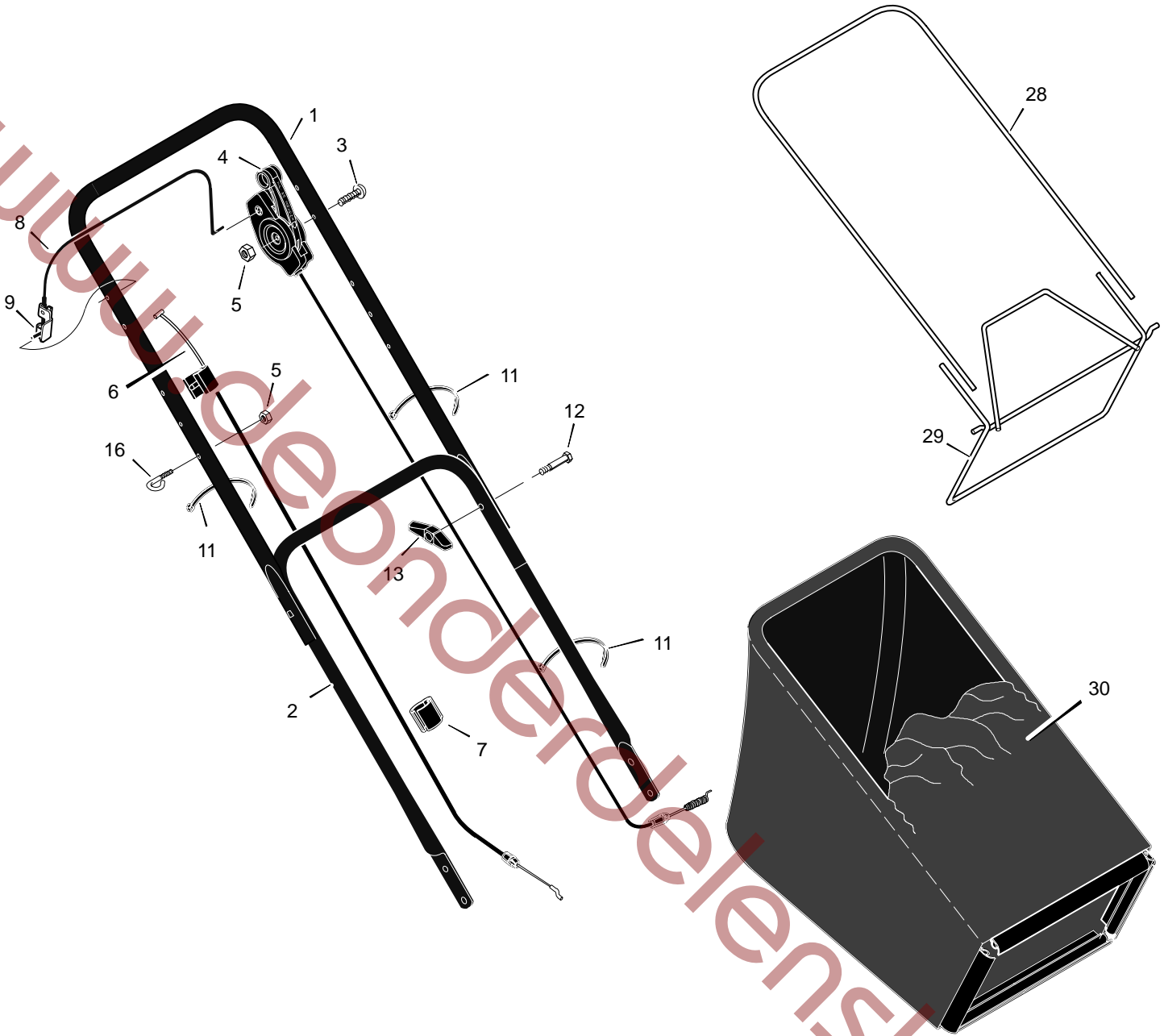


200616x50F

HANDLE ASSEMBLY

KEY NO.	DESCRIPTION	PART NO.	KEY NO.	DESCRIPTION	PART NO.
1	Housing	_____	35	Nut, Flange	015x68
2	Engine *	*	36	Nut, Hex	15x102
3	Pulley, Engine	071434	37	Washer	017x38
4	Pin, Spring	032x64	38	Screw	004x21
6	Cover, Belt (Gray)	672109	39a	Cap, Hub	043847
7	Screw	26x279	39b	Cap, Hub	043615
8	Adjuster, Left Height	672605	40	Washer	17x169
9	Bolt, Shoulder	009x50	41	Nut, Flange	015x84
10	Pulley	071779	42	Wheel, Drive	071133
11	Spacer	071788	43	Washer	17x120
12	Bracket, Idler Support	672772 Z	44	Cover, Dust	071780
13	Pulley, Idler	071778	45	Washer, Belleville	17x137
14	Bearing	071793	46	Washer	17x124
15	Nut, Push	028x49	47	Bolt	01x153
16	Bracket, Left Handle	1101239E245	48	Blade	672763E701
17	Bracket, Cable	671934	49	Adapter, Blade	672503
18	Nut, Hex	015x43	50	Adjuster, Right Frt. Height	672602
19	Spacer	071789	53	Bolt, Engine	0025x6
20	Arm, Idler	671936	56	Nut, Flange	015x88
21	Bolt, Carriage	002x53	57	Rod, Pivot	215x17 Z
22	Bolt, Shoulder	001x81	58	Door, Rear (Gray)	672612
23	E-Ring	011x16	59	Spring	166x44
24	Gear, Pinion	071792	60	Deflector, Rear	671970
25	Bolt	001x85	61	Wheel, Rear	071134
26	Washer	17x186	63	Bracket, Right Handle	1101238E245
27	Adjuster, Left Frt. Height	672603	64	Adjuster, Right Height	672604
28	Belt	037x84	65	Screw	26x245
29	Pulley, Axle	071791	72	Guard, Rear	671990
30	Screw	26x263	73	Bolt, Carriage	002x81
31	Pin, Hair	0031x9	74	Knob	071495
32	Pin, Spring	043629	—	Decal, Belt Pince Symbol	48x2062
33	Axle	671931	—	Instruction Book	F-030437L
34	Cover, Axle (Gray)	672108			

200616x50F



1	Handle, Upper (Gray)	1101555E724
2	Handle, Lower (Gray)	672874E724
3	Bolt	025x14
4	Control, Drive	1101420
5	Locknut	15x116
6	Cable, Stop	1101183
7	Fastener, Cable	1101353
8	Engine Stop Lever	672878E701

9	Bracket, Stop Lever	1101454
11	Fastener, Cable	071372
12	Bolt	002x77
13	Knob	071294
16	Guide, Rope	071530
28	Frame, Top	071592
29	Frame Assembly	672905
30	Bag, Cloth	1101032