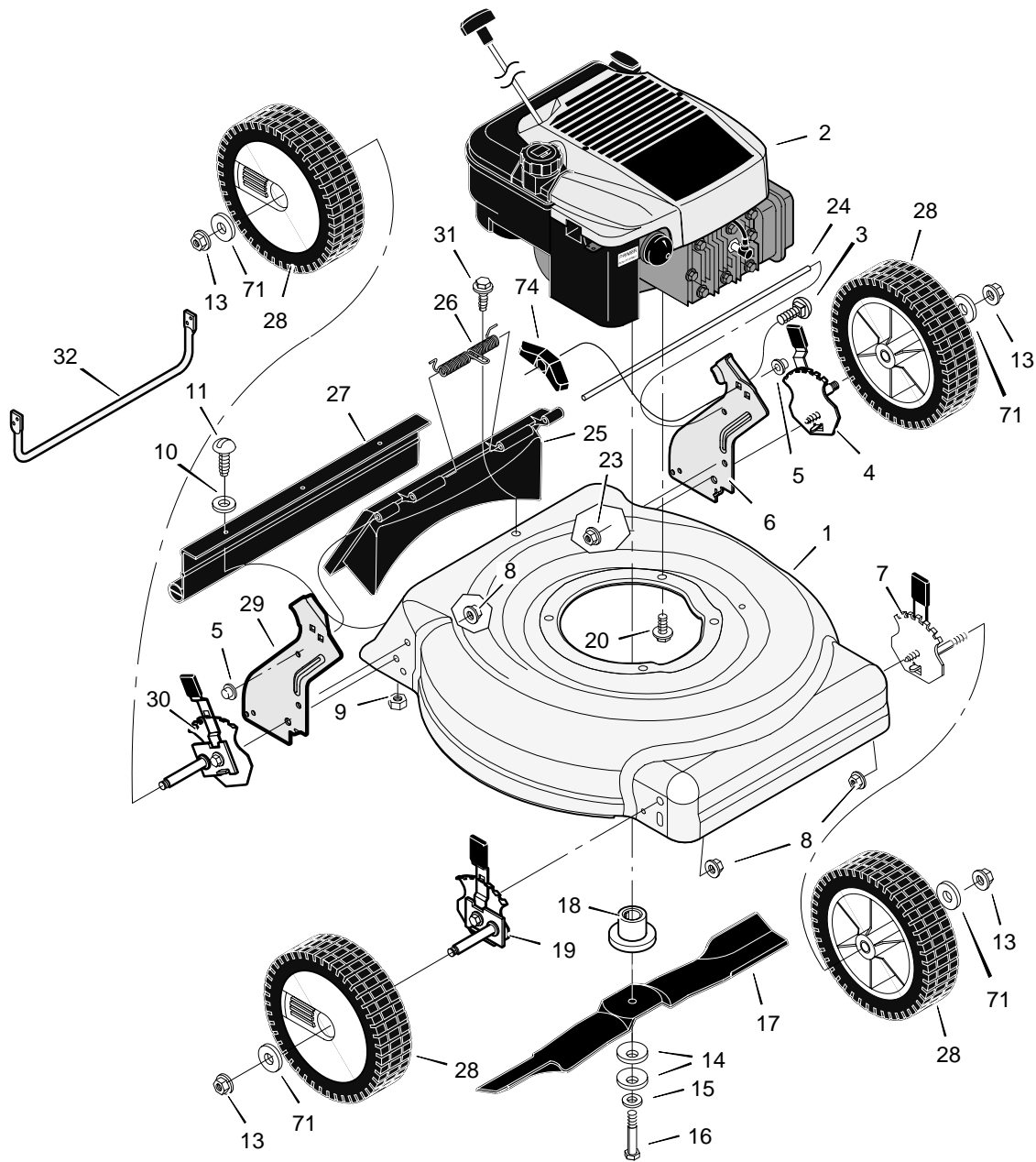
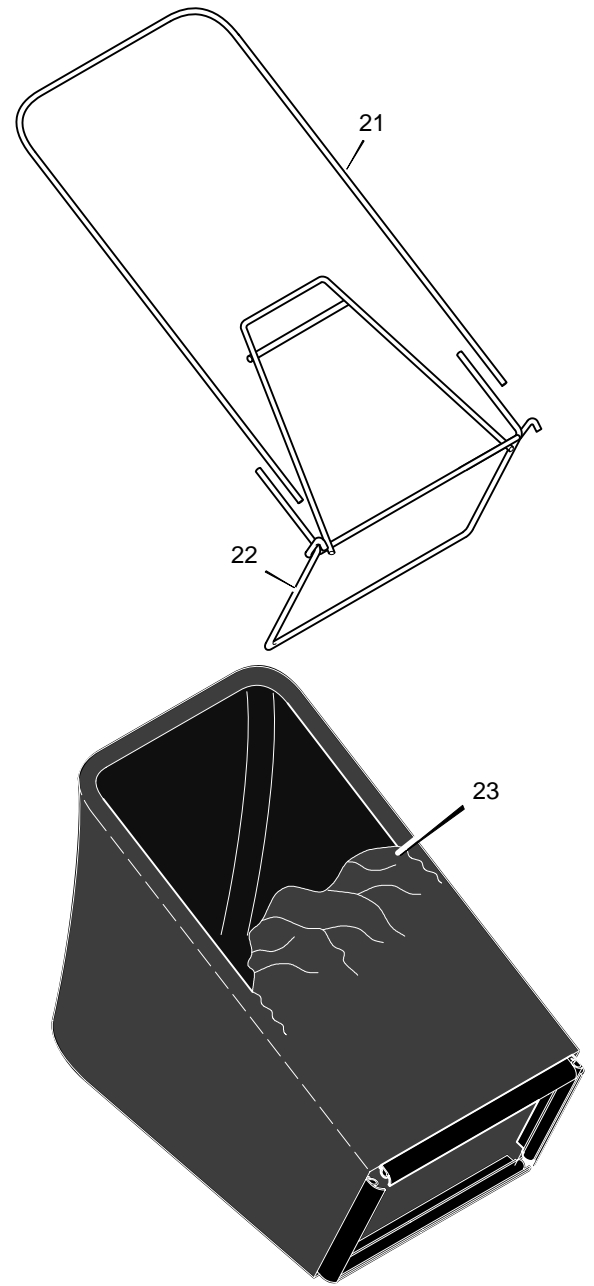
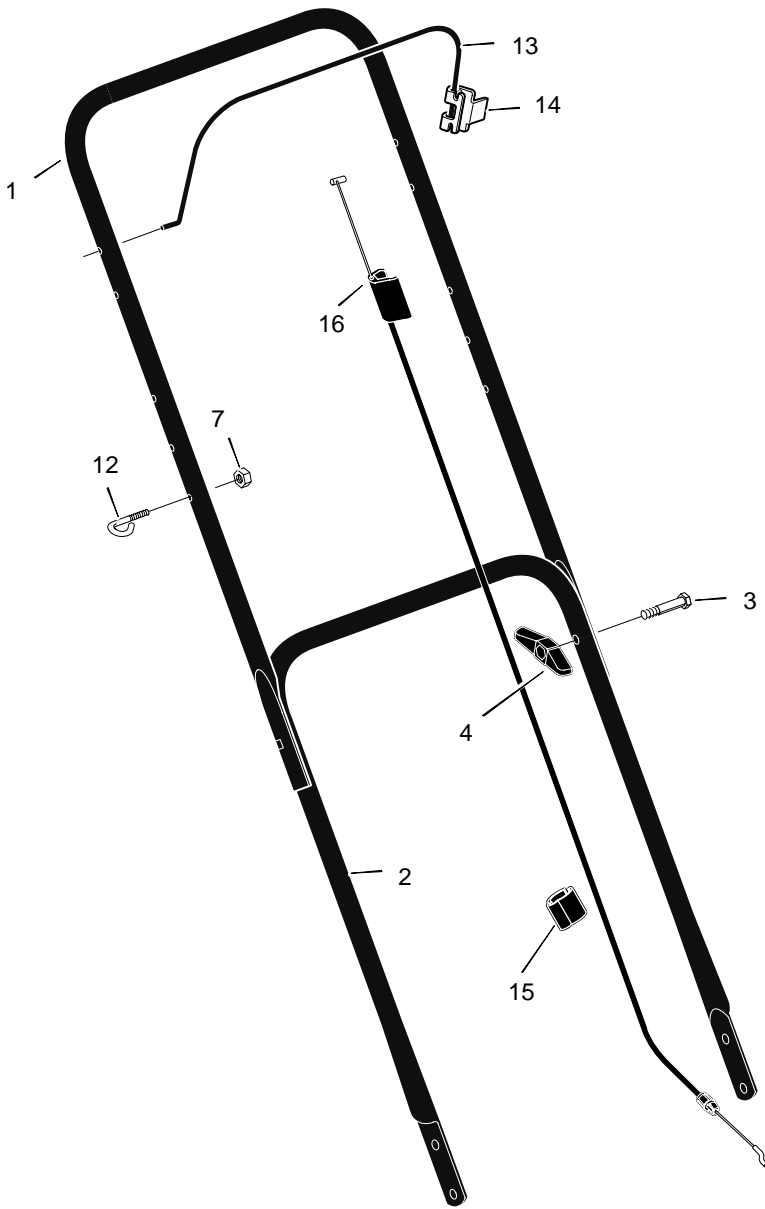


204210x50B



1	Housing	776150	14	Washer, Belleville	17x137	28	Wheel	71132
2	Engine *	*	15	Washer	17x124	29	Bracket, Right Handle	1101238E700
3	Bolt, Carriage	002x81	16	Bolt	01x153	30	Adjuster, Right Rear Height	672604
4	Adjuster, Left Rear Height	672605	17	Blade	672763E701	31	Screw	26x245
5	Push On Cap	208x49	18	Adapter, Blade	672503	32	Guard, Rear	671990
6	Bracket, Left Handle	1101239E700	19	Adjuster, Right Front Height	672600	71	Washer	017x91 Z
7	Adjuster, Left Front Height	672601	20	Bolt, Engine	0025x6	74	Knob	071495
8	Nut, Flange	015x68	23	Nut, Flange	015x88	--	Decal, Sentinel 2n1	48x839
9	Nut, Hex	15x102	24	Rod, Pivot	215x17 Z	--	Decal, Stop Lever	48x1181
10	Washer	017x38	25	Door, Rear	672613	--	Decal, Warning Symbols	44x6822
11	Screw	004x21	26	Spring	166x44	--	Decal, TUV 7 GS European	44x2929
12	Hub Cap - Optional	672122	27	Guard, Rear	671970	--	Instruction Book	F-020416L
13	Nut, Flange	015x84						

204210x50B



1	Handle, Upper (Gray)	1101555E724	12	Guide, Rope	071530	21	Frame, Top	071592
2	Handle, Lower (Gray)	672874E724	13	Engine Stop Lever	671924E701	22	Frame Assembly	672905
3	Bolt	002x77	14	Bracket, Stop Lever	1101454	23	Bag, Cloth	1101032
4	Knob, Plastic	071294	15	Fastener, Cable	1101353			
7	Locknut	15x116	16	Engine Stop Cable	1101360			