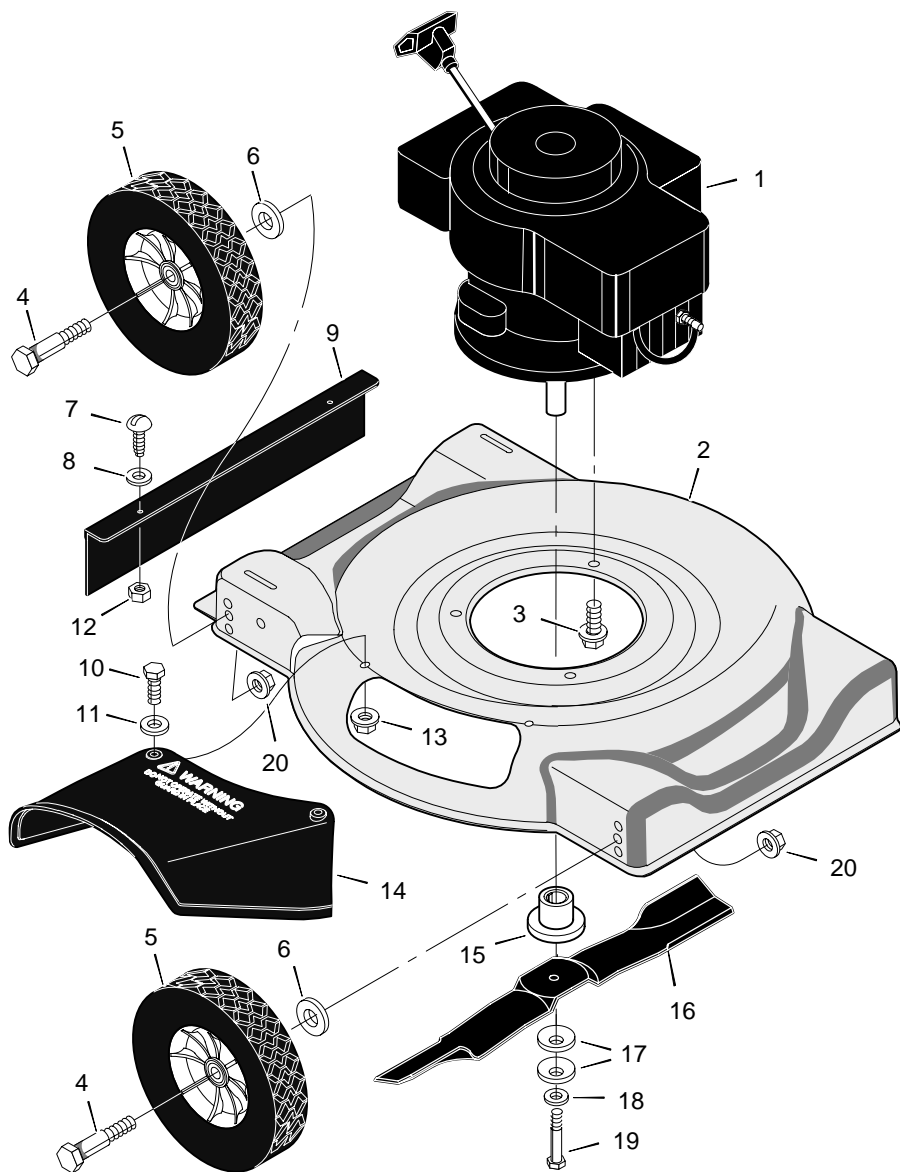


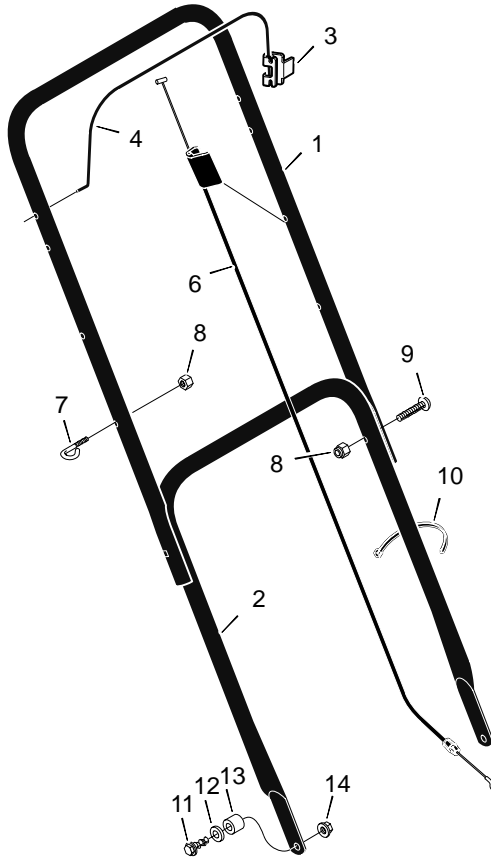
MODEL 20111x194A



MODEL 20111x194A

KEY NO.	DESCRIPTION	PART NO.
1	Engine	_____
2	Housing	7950007
3	Bolt, Engine	710265
4	Bolt, Axle	9x10
5	Wheel and Tire	20270
6	Washer	996416
7	Screw	4x21
8	Washer	17x38Z
9	Deflector, Rear	671912
10	Bolt	1x121
11	Washer	710256
12	Nut	15x102
13	Locknut	710203
14	Deflector, Chute	671929
15	Blade Adapter	71056
16	Blade – 20"	42785E701
17	Washer, Blade	710210
18	Washer	710207
19	Bolt	710163
20	Locknut	45171
–	Book, Instruction	F–000407M

MODEL 20111x194A



KEY NO.	DESCRIPTION	PART NO.	KEY NO.	DESCRIPTION	PART NO.
1	Handle, Upper (Black)	672913	9	Screw	3x136
2	Handle, Lower (Black)	672912	10	Fastener, Cable	71372
3	Bracket, Stop Lever	43628 BC	11	Bolt	710082
4	Lever, Stop	671924e700	12	Washer	996416
6	Engine Stop Cable	672836	13	Spacer	671914
7	Guide, Rope	43956	14	Nut	710140
8	Locknut	710203			