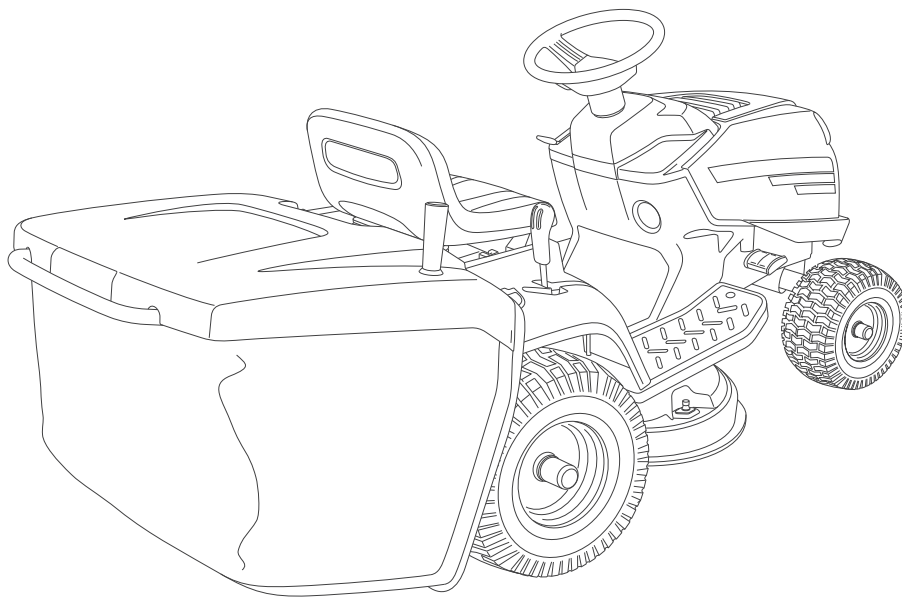


# ILLUSTRATED PARTS LIST

## MPX 84



- Use GLOBAL GARDEN PRODUCT Genuine Spare Parts specified in the parts list for repair and/or replacement.
- The contents described in the parts list may change due to improvement.
- The drawings of the spare parts are only indicative and might not represent the part in question exactly.
- The indications "right" - "left" - "front" - "rear" refer to the position of the operator when using the machine.
- When placing orders of parts for repair and/or replacement, make sure that the illustrated parts list is the one applying to the machine's year of manufacture, as shown on the identification plate attached to the machine.

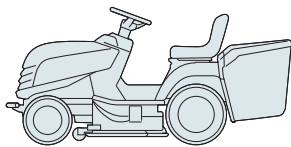
© Copyright 2012 Global Garden Products

All content is subject to copyright by Global Garden Products and may not be reproduced in whole or in part by any means, electronic or otherwise, without prior written approval.

THIS INFORMATION IS NOT INTENDED FOR SALE OR RESALE, AND THIS NOTICE MUST REMAIN ON ALL COPIES.



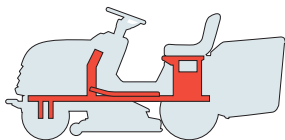
GLOBAL GARDEN PRODUCTS



**INDICE DELLE TAVOLE**  
**INDEX OF TABLES**  
**SOMMAIRE DES TABLEAUX**  
**INHALT DER TAFELN**

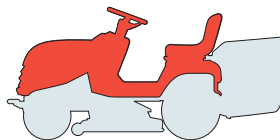
**TELAIO**  
**CHASSIS**  
**CHASSIS**  
**RAHMENSATZ**

chassis.. ➔ **page 2**  
rear plate.. ➔ **page 4**



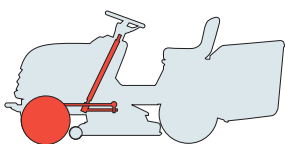
**CARROZZERIA**  
**BODY**  
**CARROSSERIE**  
**KARROSSERIE**

➔ **page 6**



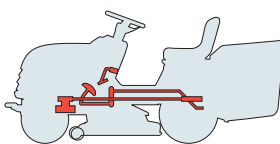
**STERZO**  
**STEERING**  
**BARRE DE DIRECTION**  
**LENKGETRIEBE**

➔ **page 8**



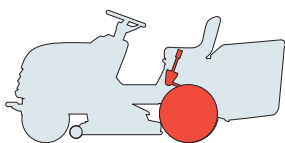
**COMANDO TRASMISSIONE E FRENO**  
**DRIVE AND BRAKE CONTROLS**  
**COMMANDE TRANSMISSION ET FREIN**  
**GETRIEBE UND BREMSE ANTRIEB**

➔ **page 10**



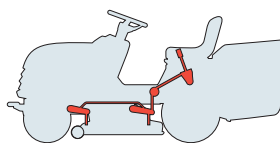
**TRASMISSIONE**  
**TRANSMISSION**  
**TRANSMISSION**  
**GETRIEBE**

➔ **page 12**



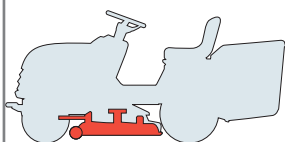
**SOLLEVAMENTO PIATTO DI TAGLIO**  
**CUTTING PLATE LIFTING**  
**SOULEVEMENT PLATEAU DE COUPE**  
**SCHNEIDWERKZEUG AUFHEBESATZ**

➔ **page 14**



**PIATTO DI TAGLIO**  
**CUTTING PLATE**  
**PLATEAU DE COUPE**  
**SCHNEIDWERKZEUG**

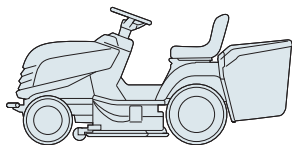
with anti scalp wheels.. ➔ **page 16**  
without anti scalp wheels.. ➔ **page 18**



**PROTEZIONI E CONVOGLIATORE**  
**GUARDS AND CONVEYOR**  
**PROTECTIONS ET CONVOYEUR**  
**SCHUTZEN UND BLECHSATZ**

small.. ➔ **page 20**  
big, for anti scalp wheels.. ➔ **page 22**  
big, for no anti scalp wheels.. ➔ **page 24**

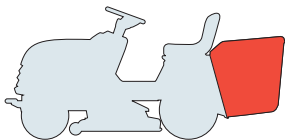




**INDICE DELLE TAVOLE**  
**INDEX OF TABLES**  
**SOMMAIRE DES TABLEAUX**  
**INHALT DER TAFELN**

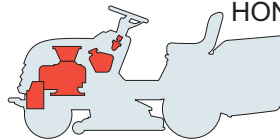
**SACCO**  
**GRASSCATCHER**  
**BAC**  
**AUFFANGSACK**

type "LE".. ➔ **page 26**  
type "HE".. ➔ **page 28**



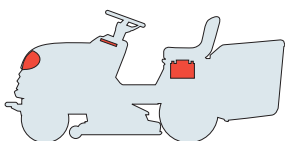
**MOTORE E SERBATOIO**  
**ENGINE AND FUEL TANK**  
**MOTEUR ET RESERVOIR**  
**MOTOR UND TANK**

GGP.. ➔ **page 30**  
B&S 12,5 HP.. ➔ **page 32**  
B&S 15.5-16.5-17.5-18 HP.. ➔ **page 34**  
HONDA GCV 530.. ➔ **page 36**  
HONDA GXV 390 .. ➔ **page 38**



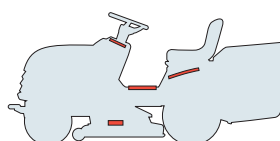
**PARTI ELETTRICHE**  
**ELECTRICAL PARTS**  
**PARTIES ELECTRIQUES**  
**ELETRISCHE TEILE**

➔ **page 40**



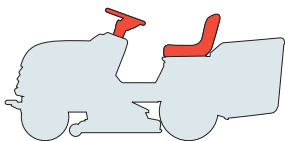
**ETICHETTE**  
**LABELS**  
**ETIQUETTES**  
**KLEBZETTEL**

➔ **page 42**

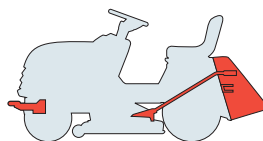


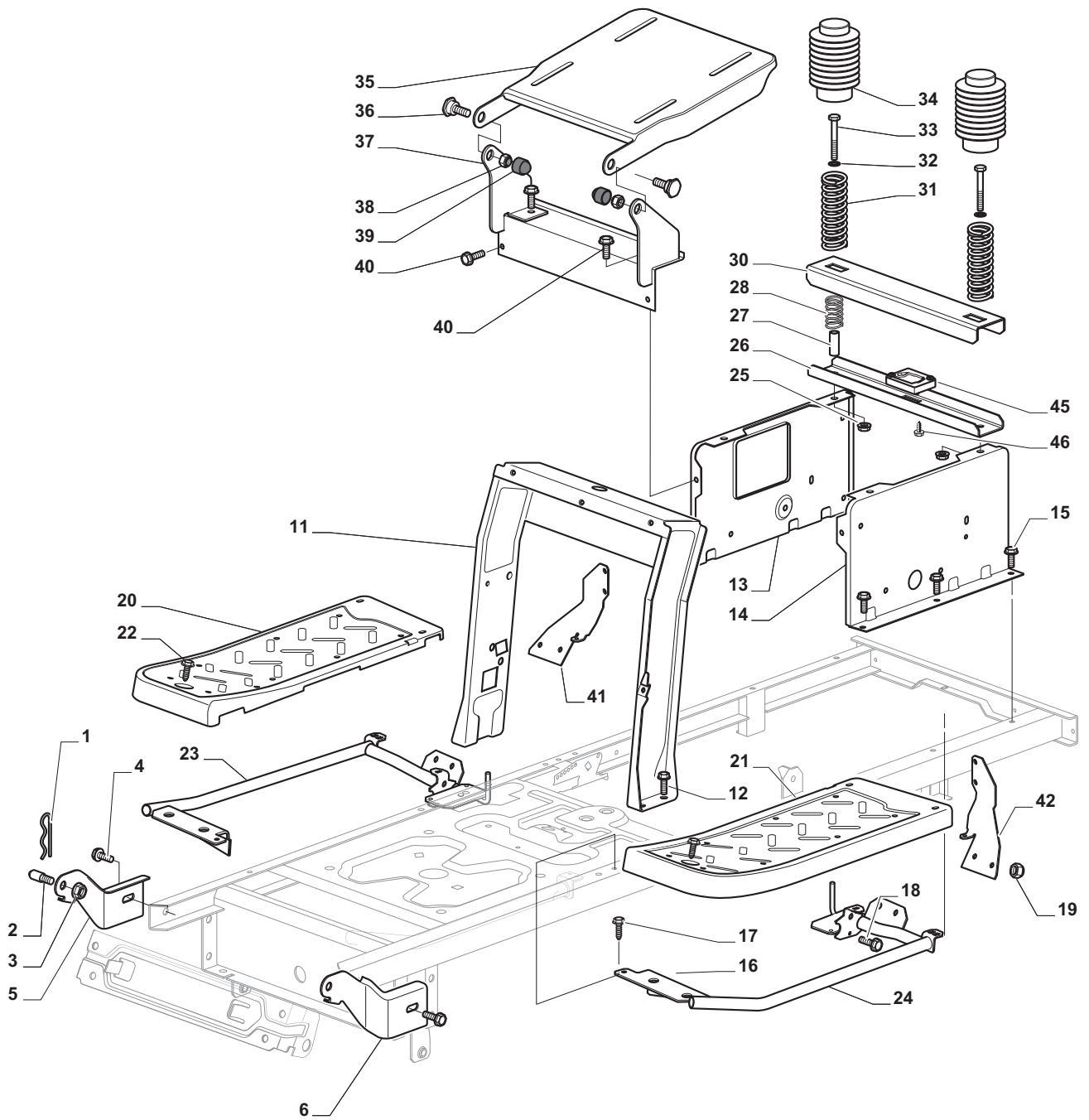
**SEDILE E VOLANTE**  
**SEAT & STEERING WHEEL**  
**SIEGE & VOLANT**  
**SITZ & LENKRAD**

➔ **page 44**  
➔ **page 46**  
➔ **page 48**  
➔ **page 50**  
➔ **page 52**

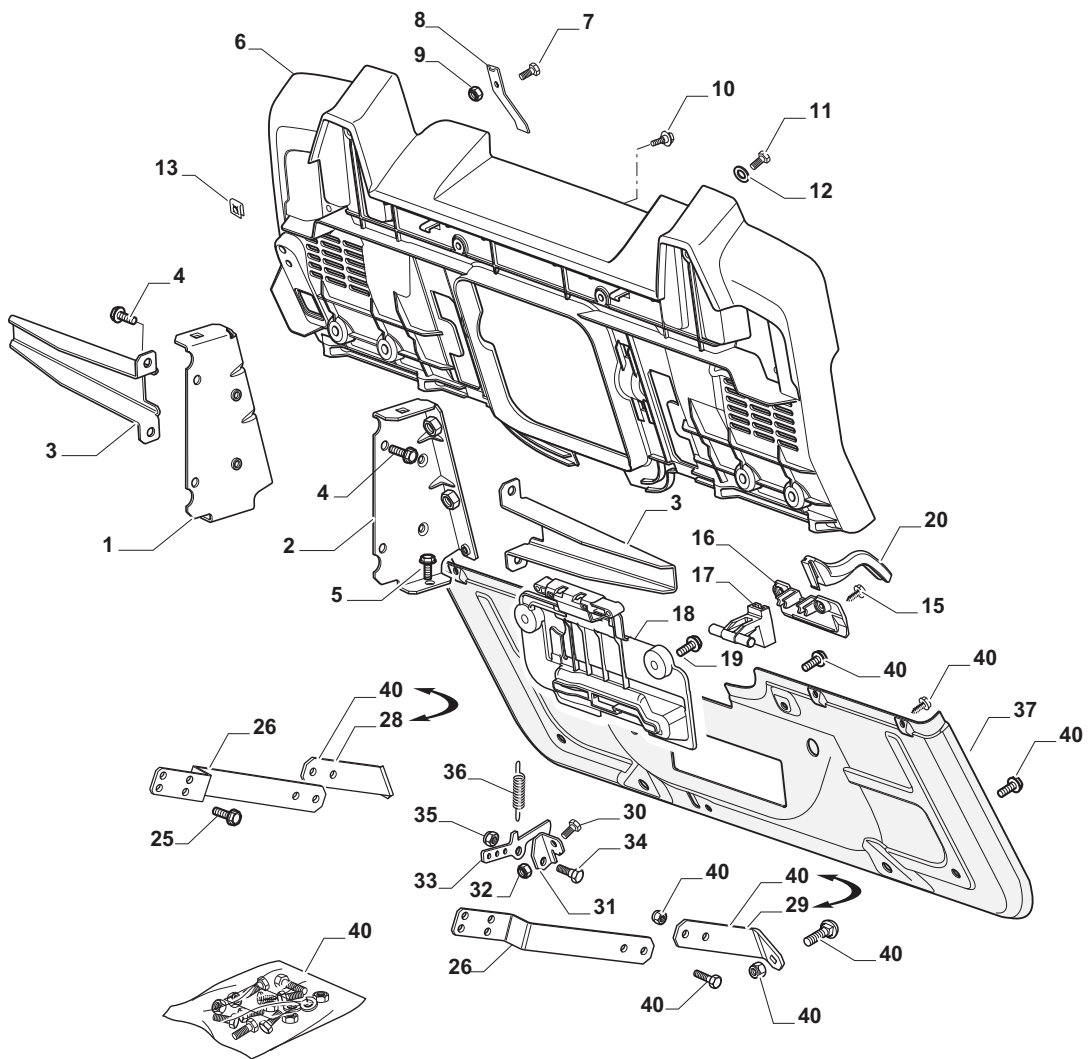


**ACCESSORI A RICHIESTA**  
**OPTIONALS ON REQUEST**  
**ACCESSOIRES SUR DEMANDE**  
**ZUBEHOERE NACH ANFRAGE**

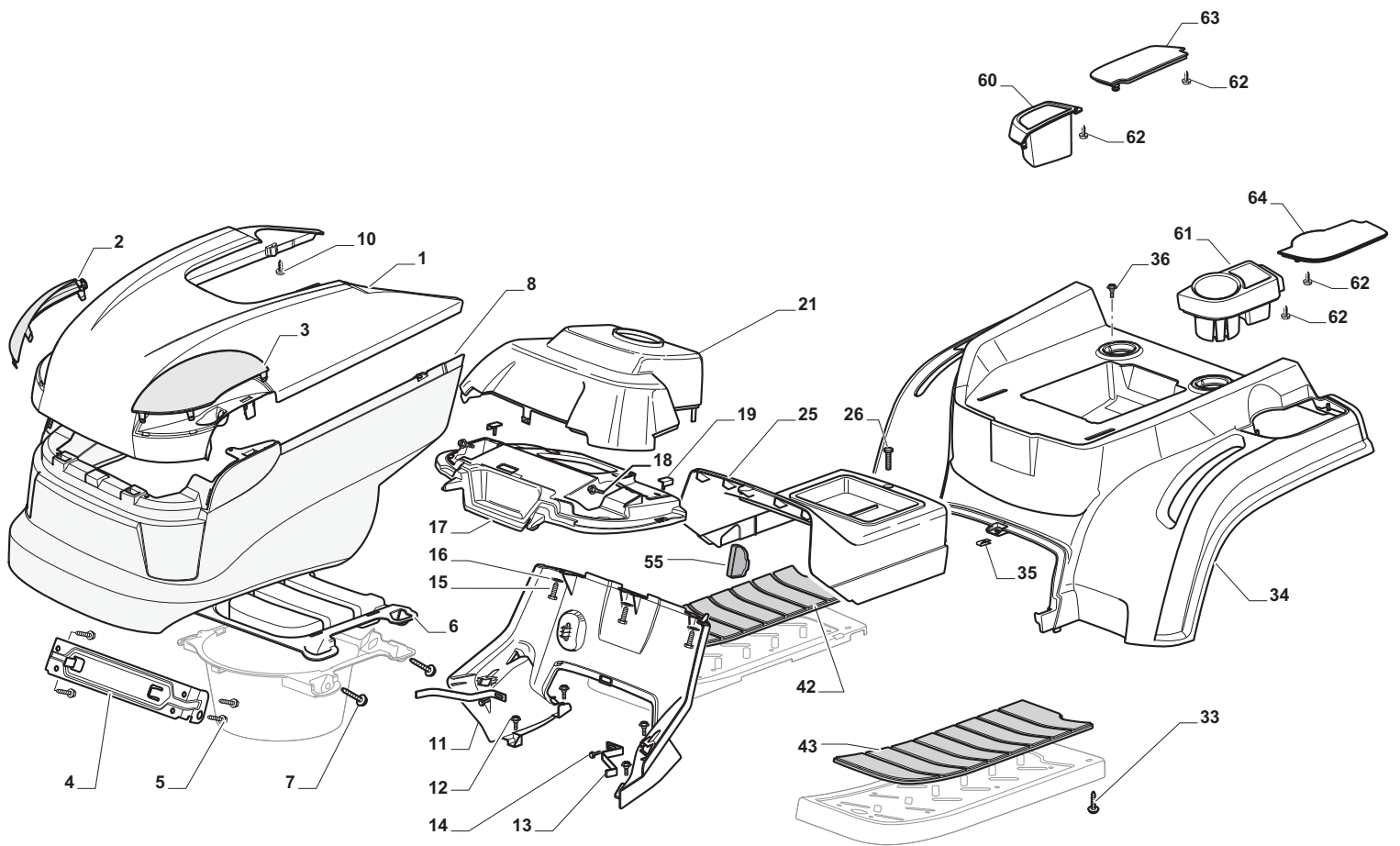




POS	CODE	Q.TY	DESCRIZIONE	DESCRIPTION	DESCRIPTION	BESCHREIBUNG
1	24487998/0	1	Coppiglia	Cotter Pin	Goupille	Splint
2	25510079/0	2	Perno	Pin	Pivot	Augenabscheider
3	12154210/0	2	Dado	Nut	Ecrou	Mutter
4	12735599/0	2	Vite	Screw	Vis	Schraube
5	325547225/0	1	Piastrina Destra	Right Plate	Plaque Droite	Rechte Platte
6	325547227/0	1	Piastrina Sinistra	Left Plate	Plaque Gauche	Linke Platte
11	382785169/1	1	Supporto Piantone	Steering Column Support	Support Tube De Direction	Lenkungsaeulehalter
12	125943009/0	4	Vite	Screw	Vis	Schraube
13	325785331/1	1	Supporto Sedile Destro	Right Seat Support	Support Siege Droite	Rechte Sitzhalter
14	325785333/1	1	Supporto Sedile Sinistro	Left Seat Support	Support Siege Gauche	Linke Sitzhalter
15	125943009/0	6	Vite	Screw	Vis	Schraube
16	382785179/0	1	Supporto Pedana	Footboard Support	Support Marchepied	Fussbretthalter
17	125943009/0	2	Vite	Screw	Vis	Schraube
18	125943009/0	2	Vite	Screw	Vis	Schraube
19	12155000/0	10	Dado	Nut	Ecrou	Mutter
20	325500041/1	1	Pedana Destra	Right Footboard	Marchepied Droite	Rechte Fussbrett
21	325500043/1	1	Pedana Sinistra	Left Footboard	Marchepied Gauche	Linke Fussbrett
22	12735599/0	2	Vite	Screw	Vis	Schraube
23	382785221/0	1	Supporto Pedana	Footboard Support	Support Marchepied	Fussbretthalter
24	382785223/0	1	Supporto Pedana	Footboard Support	Support Marchepied	Fussbretthalter
25	12293201/0	2	Dado	Nut	Ecrou	Mutter
26	325820109/1	1	Supporto Sedile	Seat Support	Support Siege	Sitzhalter
27	125160048/0	2	Distanziale	Spacer	Entretoise	Entfernungsstück
28	125430263/0	2	Molla	Spring	Ressort	Feder
30	325820111/0	1	Supporto	Support	Support	Halter
31	125430264/0	2	Molla	Spring	Ressort	Feder
32	12521350/0	2	Rondella	Washer	Rondelle	Scheibe
33	12691400/0	2	Vite	Screw	Vis	Schraube
34	325122002/0	2	Cuffia	Hood	Protecteur	Schutzkasten
35	382547061/0	1	Piastra	Plate	Plaque	Platte
36	22524970/2	2	Perno	Pin	Pivot	Bolzen
37	382820151/0	1	Supporto Sedile	Seat Support	Support Siege	Sitzhalter
38	12155010/0	2	Dado	Nut	Ecrou	Mutter
39	118203854/0	2	Cappuccio	Protection	Capuchon	Stecker
40	125943009/0	12	Vite	Screw	Vis	Schraube
41	325650155/0	1	Supporto	Support	Support	Halter
42	325650157/0	1	Supporto	Support	Support	Halter
45	112728686/0	1	Camma	Cam	Came	Nocken
46	325785379/0	2	Vite	Screw	Vis	Schraube

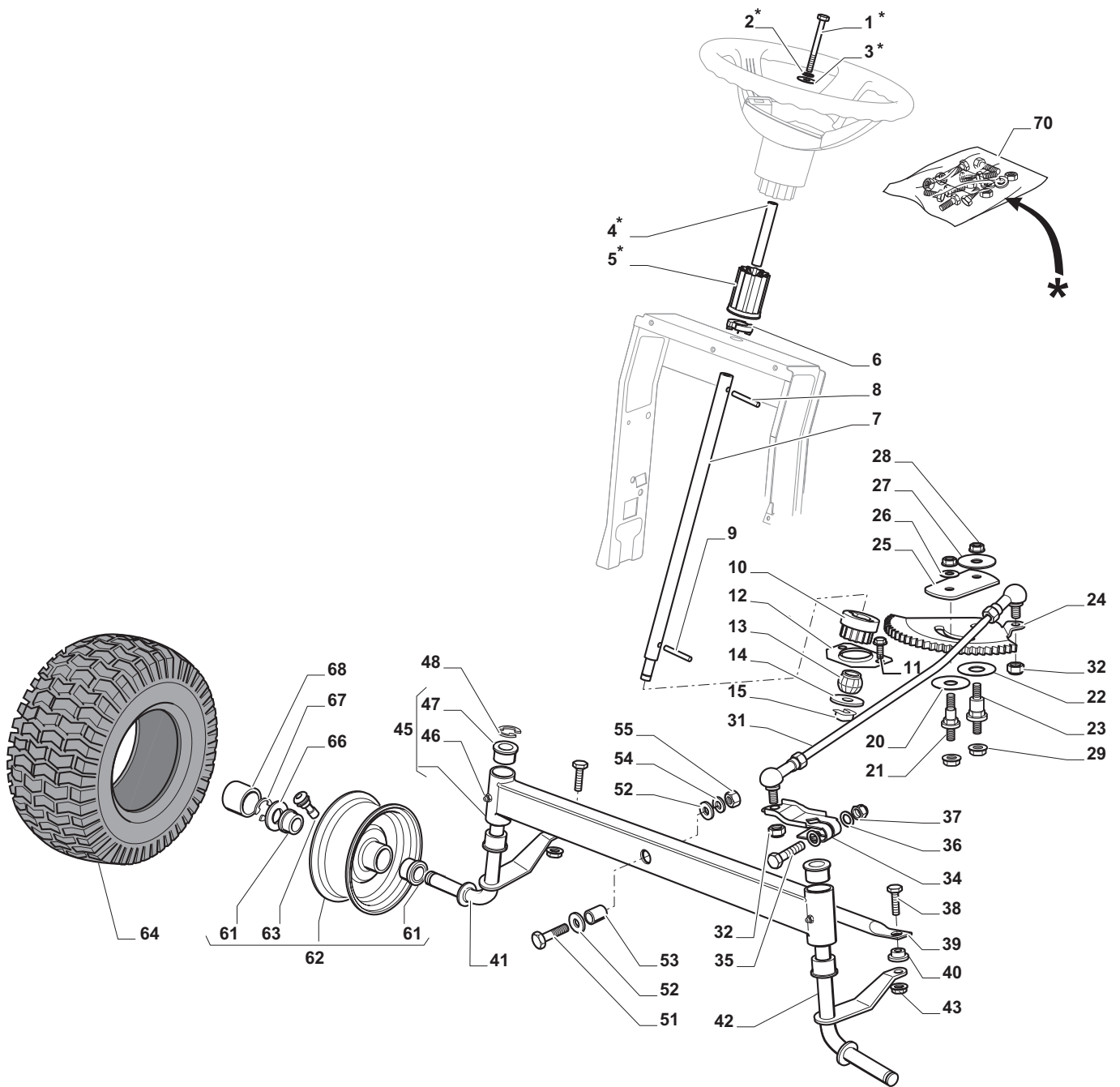


POS	CODE	Q.TY	DESCRIZIONE	DESCRIPTION	DESCRIPTION	BESCHREIBUNG
1	325774501/0	1	Staffa	Clamp	Etrier	Bride
2	325774507/0	1	Staffa	Clamp	Etrier	Bride
3	325650163/0	2	Rinforzo	Stiffening	Reinforcement	Verstaerkung
4	125943009/0	8	Vite	Screw	Vis	Schraube
5	125943009/0	2	Vite	Screw	Vis	Schraube
6	325547299/0	1	Piastra Posteriore, Parte Superiore	Rear Plate, Upper Part	Plaque Arriere, Partie Superieur	Hintere Platte, Oberseite
7	12789008/0	1	Vite	Screw	Vis	Schraube
8	27430554/0	1	Molla	Spring	Ressort	Feder
9	12154330/0	1	Dado	Nut	Ecrou	Mutter
10	125943010/0	4	Vite	Screw	Vis	Schraube
11	12789008/0	6	Vite	Screw	Vis	Schraube
12	12521320/0	6	Rondella	Washer	Rondelle	Scheibe
13	12437503/0	6	Piastrina	Plate	Plaque	Platte
15	12728686/0	2	Vite	Screw	Vis	Schraube
16	325109522/0	1	Coperchio Protezione	Protection Cover	Couvercle Protection	Schutzdeckel
17	325318276/0	1	Leva	Gearshift	Levier	Hebel
18	325785400/0	1	Supporto	Support	Support	Halter
19	125943010/0	2	Vite	Screw	Vis	Schraube
20	325318277/0	1	Leva	Lever	Levier	Hebel
25	125943009/0	4	Vite	Screw	Vis	Schraube
26	325774521/0	2	Staffa	Clamp	Etrier	Bride
28	325650151/0	1	Rinforzo	Stiffening	Reinforcement	Verstaerkung
29	325650153/0	1	Rinforzo	Stiffening	Reinforcement	Verstaerkung
31	325755061/0	1	Squadretta	Bracket	Equerre-Support	Winkel
30	12789008/0	1	Vite	Screw	Vis	Schraube
32	12154330/0	1	Dado	Nut	Ecrou	Mutter
33	325774533/0	1	Staffa	Clamp	Etrier	Bride
34	125510080/1	1	Perno	Pin	Pivot	Bolzen
35	12154510/0	1	Dado	Nut	Ecrou	Mutter
36	125430282/0	1	Molla	Spring	Ressort	Feder
37	382547071/0	1	Piastra Posteriore, Parte Inferiore	Rear Plate, Lower Part	Plaque Arriere, Partie Inferieur	Hintere Platte, Unterseite
40	382180121/0	1	Dotazione Viteria	Screws Outfit	Ensemble Des Vis	Schraubenausrüstung

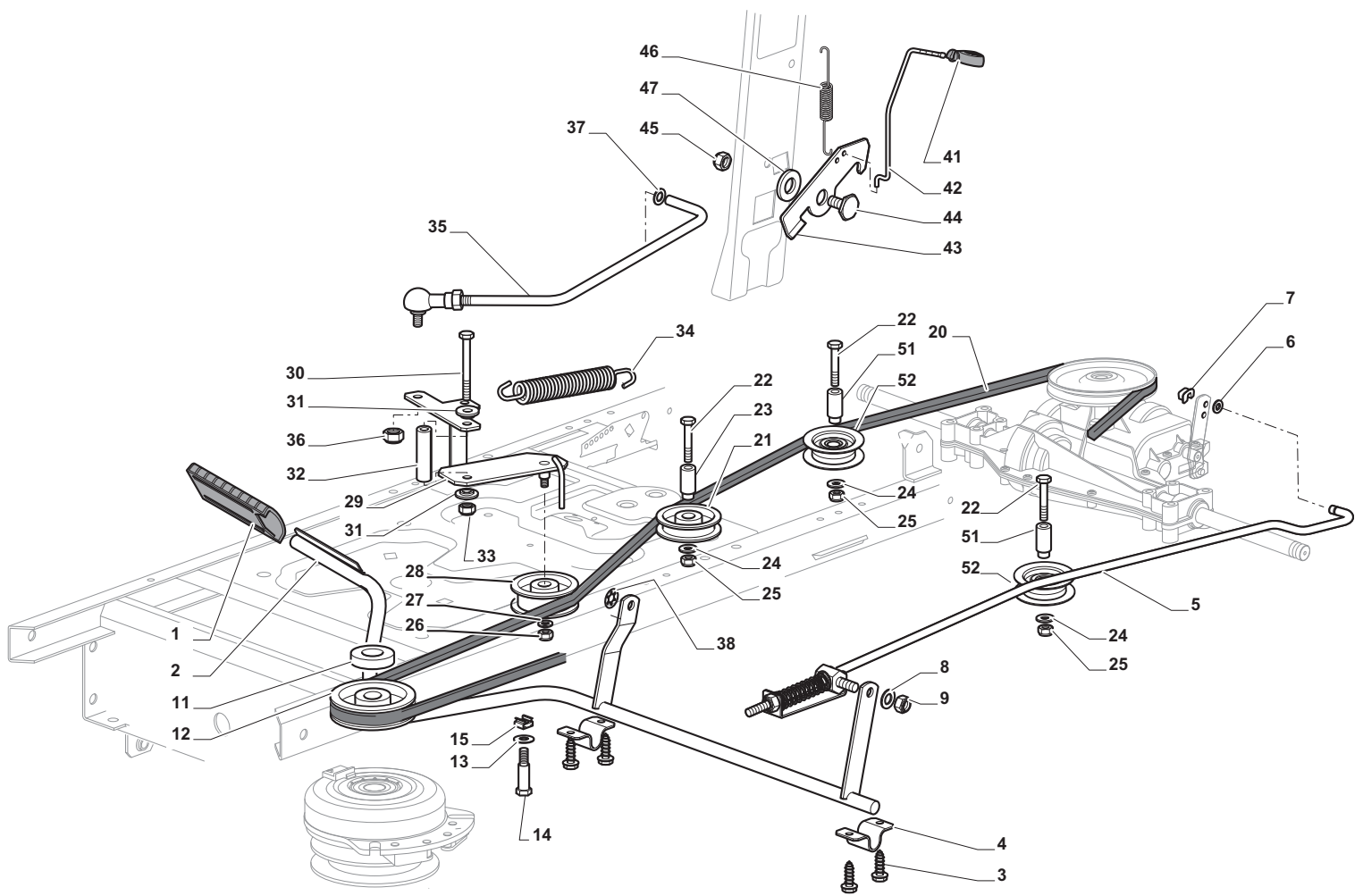




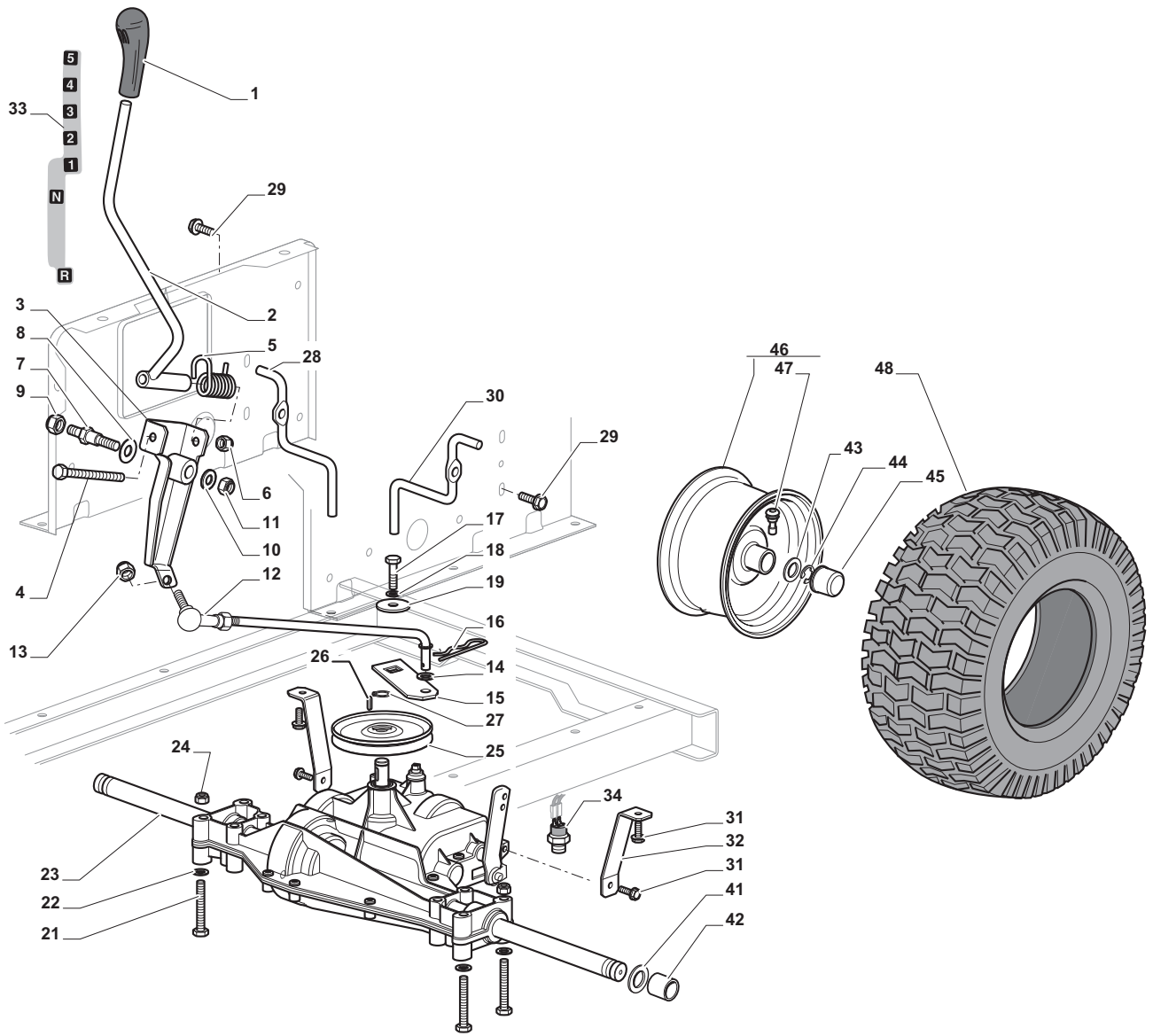
POS	CODE	Q.TY	DESCRIZIONE	DESCRIPTION	DESCRIPTION	BESCHREIBUNG
1	325076910/0	1	Cofano Superiore Rosso	Upper Engine Hood Red	Capot Superieure Rouge	Oberhaubesatz Rot
2	325410901/0	1	Mascherina Destra	Right Grill	Panneau Droite	Rechte Schutz
3	325410902/0	1	Mascherina Sinistra	Left Grill	Panneau Gauche	Linke Schutz
8	325076911/0	1	Cofano Inferiore	Lower Engine Hood	Capot Inferieure	Unterhaubesatz
4	325785317/0	1	Supporto Cofano	Engine Hood Support	Support Capot	Haubesatzhalter
5	12735403/0	4	Vite	Screw	Vis	Schraube
6	325263302/1	1	Griglia Aspirazione	Air Intake Grill	Grille D'Aspiration	Ansauggitter
7	112728692/0	4	Vite	Screw	Vis	Schraube
10	112728686/0	2	Vite	Screw	Vis	Schraube
11	325785298/0	1	Supporto Cruscotto	Dashboard Support	Support Tableau	Konsolehalter
12	125943010/0	4	Vite	Screw	Vis	Schraube
13	325270325/0	2	Guida	Guide	Guide	Führung
14	12735599/0	2	Vite	Screw	Vis	Schraube
15	112735406/0	3	Vite	Screw	Vis	Schraube
16	12523040/0	3	Rosetta	Washer	Rondelle	Scheibe
17	325120202/1	1	Cruscotto	Dashboard	Tableau De Bord	Konsole
18	125943010/0	2	Vite	Screw	Vis	Schraube
19	325260003/0	2	Gommino	Grommet	Protection	Schutz
21	325120203/0	1	Coperchio	Cover	Couvercle	Deckel
25	325110383/1	1	Copertura Centrale, Rosso	Cover, Red	Couvre, Rouge	Kappe, Rot
26	125943010/0	1	Vite	Screw	Vis	Schraube
33	112735406/0	4	Vite	Screw	Vis	Schraube
34	325110432/0	1	Copertura Ruote, Rosso	Wheels Cover, Red	Couvre-Roues, Rouge	Radenkappe, Rot
35	112437506/0	1	Piastrina	Plate	Plaque	Platte
36	125943010/0	2	Vite	Screw	Vis	Schraube
37	112735406/0	2	Vite	Screw	Vis	Schraube
38	12523040/0	2	Rosetta	Washer	Rondelle	Scheibe
39	325547208/1	1	Piastra	Plate	Plaque	Platte
40	125943010/0	2	Vite	Screw	Vis	Schraube
42	325110384/0	1	Copripedana Destra	Right Footboardcover	Couvre Marchepied Dro.	Rechte Fussbrettdeckel
43	325110385/0	1	Copripedana Sinistra	Left Footboard Cover	Couvre Marchepied Gau.	Linke Fussbrettdeckel
55	325207191/0	1	Piastrina	Plate	Plaque	Platte
60	325207198/0	1	Copertura	Cover	Couvre	Kappe
61	325207199/0	1	Copertura	Cover	Couvre	Kappe
62	12735403/0	4	Vite	Screw	Vis	Schraube
63	325207196/0	1	Copertura	Cover	Couvre	Kappe
64	325207197/0	1	Copertura	Cover	Couvre	Kappe



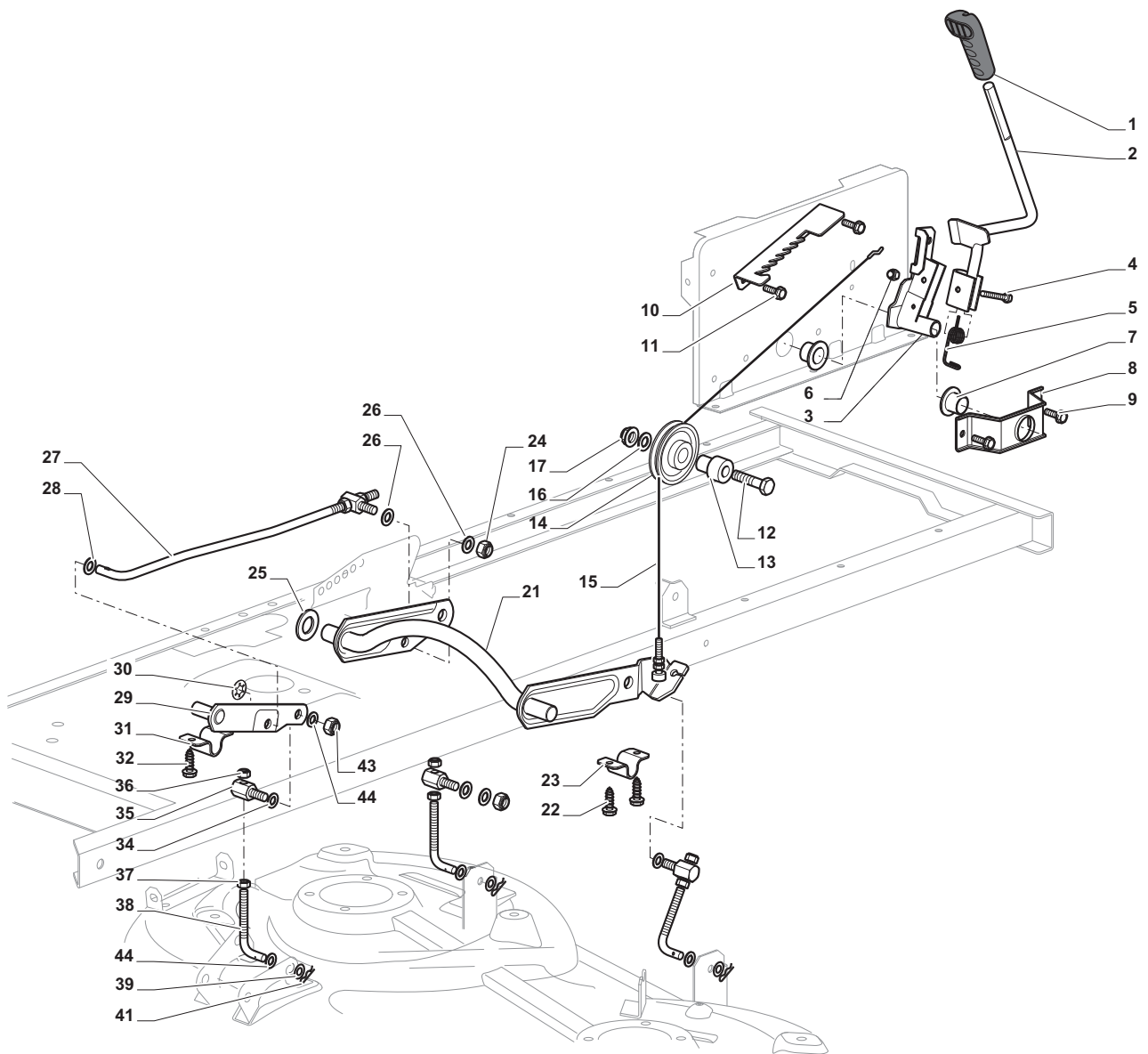
POS	CODE	Q.TY	DESCRIZIONE	DESCRIPTION	DESCRIPTION	BESCHREIBUNG
1	12692050/0	1	Vite	Screw	Vis	Schraube
2	12540260/0	1	Rondella	Washer	Rondelle	Scheibe
3	12523070/0	1	Rondella	Washer	Rondelle	Scheibe
4	125160047/0	1	Distanziale	Spacer	Entretoise	Entfernungsstück
5	325785318/0	1	Supporto	Support	Support	Halter
6	325038008/0	1	Boccola	Bush	Douille	Büchse
7	125520007/0	1	Piantone	Steering Column	Tube De Direction	Lenkungsaeule
8	112620300/0	1	Spina	Pin	Goupille	Stift
9	12622650/0	1	Spina	Pin	Goupille	Stift
10	125570003/0	1	Pignone	Pinion	Pignon	Ritzel
11	27943051/0	2	Vite	Screw	Vis	Schraube
12	325785213/1	1	Supporto	Support	Support	Halter
13	25743000/0	1	Snodo	Joint	Joint	Gelenk
14	12521370/0	1	Rondella	Washer	Rondelle	Scheibe
15	12436030/0	1	Piastrina	Plate	Plaquette	Plattechen
20	22672151/0	1	Rondella	Washer	Rondelle	Scheibe
21	125510104/0	1	Perno	Pin	Pivot	Bolzen
22	125670023/0	1	Rondella	Washer	Rondelle	Scheibe
23	125510109/0	1	Perno	Pin	Pivot	Bolzen
24	325735519/0	1	Settore	Steering Shaft	Arbre Direction	Lenkungswelle
25	325547233/0	1	Piastra	Plate	Plaque	Platte
26	12369500/0	1	Disco Elastico	Elastic Washer	Disque Elastique	Federscheibe
27	22160400/0	1	Disco Elastico	Elastic Washer	Rondelle Elastique	Federscheibe
28	12155010/0	2	Dado	Nut	Ecrou	Mutter
29	12154210/0	2	Dado	Nut	Ecrou	Mutter
31	382000566/1	1	Asta Comando Sterzo	Steering Rod	Barre De Direction	Lenkungsstab
32	12156602/0	2	Dado	Nut	Ecrou	Mutter
34	325318243/0	1	Leva Comando	Lever	Levier	Hebel
35	12692390/0	1	Vite	Screw	Vis	Schraube
36	12521360/0	2	Rondella	Washer	Rondelle	Scheibe
37	12156602/0	1	Dado	Nut	Ecrou	Mutter
38	125510103/0	2	Perno	Pin	Pivot	Bolzen
39	325840029/0	1	Tirante Colleg. Fuselli	Tie Rod	Tirant	Spannstange
40	325038007/0	2	Boccola	Bush	Douille	Büchse
41	382230369/0	1	Fusello Destro,(13inch)	Right Stub Axle,(13inch)	Fuseau Droite ,(13inch)	Rechter Achsschenkel ,(13inch)
41	382230373/0	1	Fusello Destro,(15inch)	Right Stub Axle,(15inch)	Fuseau Droite ,(15inch)	Rechter Achsschenkel ,(15inch)
42	382230371/0	1	Fusello Sinistro ,(13inch)	Left Stub Axle,(13inch)	Fuseau Gauche ,(13inch)	Linker Achsschenkel ,(13inch)
42	382230375/0	1	Fusello Sinistro ,(15inch)	Left Stub Axle,(15inch)	Fuseau Gauche ,(15inch)	Linker Achsschenkel ,(15inch)
43	12155000/0	2	Dado	Nut	Ecrou	Mutter
45	382034030/0	1	Bilanciere Con Boccola Ed Ingrassatore	Equalizer With Bush And Lubricator	Balancier Avec Douille Et Graisseur	Kipphebel Mit Büchse Und Fettbüchse
46	12379511/0	2	Ingrassatore	Grease Dispenser	Graisseur	Fettbüchse
47	25034002/1	4	Boccola	Bush	Douille	Büchse
48	12001010/0	1	Anello Elastico	Snap Ring	Anneau Ressort	Sprengring
51	12692695/0	1	Vite	Screw	Vis	Schraube
52	12523100/0	2	Rondella	Washer	Rondelle	Scheibe
53	25160016/0	1	Distanziale	Spacer	Entretoise	Entfernungsstück
54	12587100/0	1	Grower	Grower	Grower	Grower
55	12295300/0	1	Dado	Nut	Ecrou	Mutter
61	25122200/2	4	Cuscinetto	Bearing	Roulement	Lager
62	182000598/0	2	Cerchio Ruota	Rimm	Bandage Roue	Vorderrad Felger
63	25950000/0	2	Valvola	Valve	Soupape	Ventil
64	125590014/0	2	Pneumatico ,(13inch)	Tire ,(13inch)	Pneu ,(13inch)	Reifen ,(13inch)
64	127590066/0	2	Pneumatico ,(15inch)	Tire ,(15inch)	Pneu ,(15inch)	Reifen ,(15inch)
66	25670005/1	2	Rosetta	Washer	Rondelle	Scheibe
67	12001010/0	2	Anello Elastico	Snap Ring	Anneau Ressort	Sprengring
68	322110233/0	2	Coprimozzo	Hub Cover	Couvre Moyeu	Nabendeckel
70	382180124/0	1	Dotazione Viteria	Screws Outfit	Ensemble Des Vis	Schraubenausrüstung



POS	CODE	Q.TY	DESCRIZIONE	DESCRIPTION	DESCRIPTION	BESCHREIBUNG
1	325110391/0	1	Copristaffa	Clamp Cover	Couvre Etrier	Bridedeckel
2	382500043/0	1	Pedale	Pedal	Pedal	Pedal
3	12735599/0	4	Vite	Screw	Vis	Schraube
4	325547231/0	2	Piastra	Plate	Plaque	Platte
5	382000568/0	1	Asta	Rod	Barre	Stange
6	12521350/0	1	Rondella	Washer	Rondelle	Scheibe
7	12436050/0	1	Piastrina	Plate	Plaque	Platte
8	25670011/0	1	Rondella	Washer	Rondelle	Scheibe
9	12155000/0	1	Dado	Nut	Ecrou	Mutter
11	25160021/0	1	Distanziale	Spacer	Entretoise	Entfernungsstück
12	25601567/0	1	Puleggia	Pulley	Poulie	Riemenscheibe
13	12524010/0	2	Rosetta	Washer	Rondelle	Scheibe
14	25580030/0	2	Piolo Guidacinghia (Mecc.)	Belt Guide (Mech.)	Guide De Courroie (Mec.)	Riemenführung (Mech.)
15	12360425/0	2	Dado (Mecc.)	Nut (Mech.)	Ecrou (Mec.)	Mutter (Mech.)
20	135062018/0	1	Cinghia	Belt	Courroie	Riemen
21	25601555/0	1	Puleggia	Pulley	Poulie	Riemenscheibe
22	12691400/0	3	Vite	Screw	Vis	Schraube
23	125160051/0	1	Distanziale	Spacer	Entretoise	Entfernungsstück
24	12523060/0	3	Rondella	Washer	Rondelle	Scheibe
25	12155000/0	3	Dado	Nut	Ecrou	Mutter
26	12155000/0	1	Dado	Nut	Ecrou	Mutter
27	12523060/0	1	Rondella	Washer	Rondelle	Scheibe
28	25601554/0	1	Puleggia	Pulley	Poulie	Riemenscheibe
29	382318235/0	1	Leva	Lever	Levier	Hebel
30	12691600/0	1	Vite	Screw	Vis	Schraube
31	25038002/1	2	Boccola	Bush	Douille	Büchse
32	25160027/0	1	Distanziale	Spacer	Entretoise	Entfernungsstück
33	12155000/0	1	Dado	Nut	Ecrou	Mutter
34	125430262/0	1	Molla	Spring	Ressort	Feder
35	382820016/0	1	Ass. Tirante	Tie Rod Ass.Y	Ens. Tirant	Spannstange, Komplett
36	12293201/0	1	Dado	Nut	Ecrou	Mutter
37	12521350/0	1	Rondella	Washer	Rondelle	Scheibe
38	12604899/0	1	Fissatore A Corona	Crown Fastener	Fixateur A Couronne	Kronescheibe
41	325394534/0	1	Manopolina	Knob	Poignee	Griff
42	125033083/0	1	Asta	Rod	Barre	Stange
43	325253011/1	1	Gancio	Hook	Crochet	Haken
44	22524970/2	1	Perno	Pin	Pivot	Bolzen
45	12155000/0	1	Dado	Nut	Ecrou	Mutter
46	25430213/0	1	Molla	Spring	Ressort	Feder
47	12523060/0	1	Rondella	Washer	Rondelle	Scheibe
51	125160068/0	2	Distanziale	Spacer	Entretoise	Entfernungsstück
52	125601592/0	2	Puleggia	Pulley	Poulie	Riemenscheibe

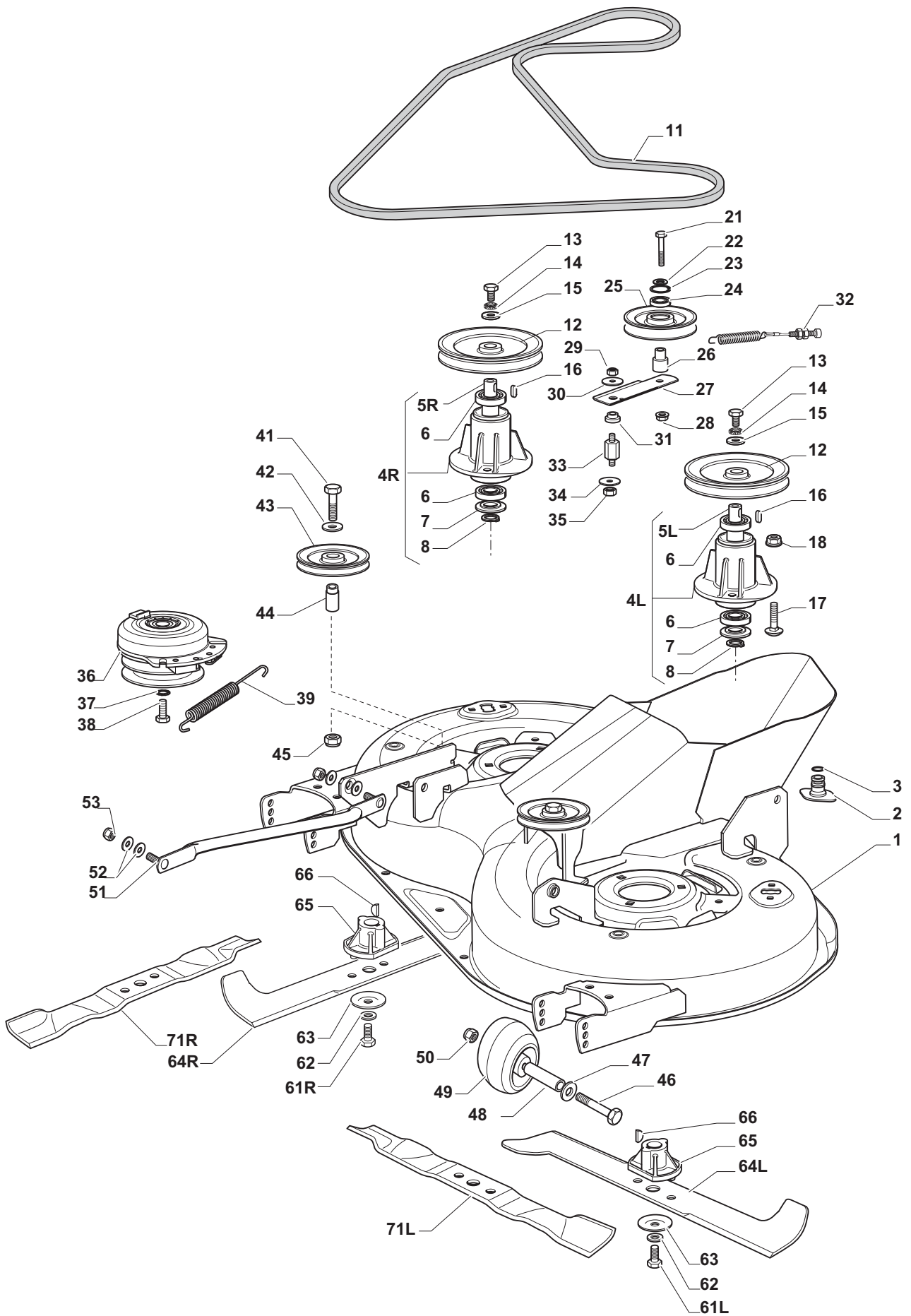


POS	CODE	Q.TY	DESCRIZIONE	DESCRIPTION	DESCRIPTION	BESCHREIBUNG
1	325394532/0	1	Manopola	Knob	Poignee	Griff
2	382318257/0	1	Leva	Lever	Levier	Hebel
3	382774259/0	1	Staffa	Clamp	Etrier	Bride
4	12692050/0	1	Vite	Screw	Vis	Schraube
5	25430226/0	1	Molla	Spring	Ressort	Feder
6	12155000/0	1	Dado	Nut	Ecrou	Mutter
7	25510035/0	1	Perno	Pin	Pivot	Bolzen
8	22672151/0	1	Rondella	Washer	Rondelle	Scheibe
9	12293201/0	1	Dado	Nut	Ecrou	Mutter
10	12523060/0	1	Rondella	Washer	Rondelle	Scheibe
11	12155010/0	1	Dado	Nut	Ecrou	Mutter
12	382000567/0	1	Asta	Rod	Barre	Stange
13	12154210/0	1	Dado	Nut	Ecrou	Mutter
14	12521340/0	1	Rosetta	Washer	Rondelle	Scheibe
15	325318235/0	1	Leva	Lever	Levier	Hebel
16	12141418/0	1	Coppiglia	Cotter Pin	Goupille	Splint
17	12735520/0	1	Vite	Screw	Vis	Schraube
18	12540040/0	1	Rosetta	Washer	Rondelle	Scheibe
19	22680009/0	1	Rondella	Washer	Rondelle	Scheibe
21	12691600/0	4	Vite	Screw	Vis	Schraube
22	12521350/0	4	Rondella	Washer	Rondelle	Scheibe
23	18400912/0	1	Asse Posteriore (Dana 4360-211)	Rear Axle (Dana 4360-211)	Axe Arriere (Dana 4360-211)	Hinterachse (Dana 4360-211)
24	12155000/0	4	Dado	Nut	Ecrou	Mutter
25	82601509/0	1	Puleggia	Pulley	Poulie	Riemenscheibe
26	12139430/0	1	Linguetta	Key	Clavette	Keil
27	12608950/0	1	Anello Elastico	Snap Ring	Anneau Ressort	Sprengring
28	125270329/0	1	Guidacinghia	Belt Guide	Guide De Courroire	Riemenführung
29	12735599/0	2	Vite	Screw	Vis	Schraube
30	125270330/0	1	Guidacinghia	Belt Guide	Guide De Courroire	Riemenführung
31	125943009/0	4	Vite	Screw	Vis	Schraube
32	325785315/0	2	Supporto	Support	Support	Halter
33	114363451/0	1	Etichetta	Label	Etiquette	Klebzettel
34	19410610/0	1	Interrutt. Cambio	Gearbox Switch	Int. Boîte De Vitesse	Antrieb Schalter
41	25670005/1	2	Rosetta	Washer	Rondelle	Scheibe
42	125160055/0	2	Distanziale	Spacer	Entretoise	Entfernungsstück
43	25670005/1	6	Rosetta	Washer	Rondelle	Scheibe
44	12001010/0	2	Anello Elastico	Snap Ring	Anneau Ressort	Sprengring
45	322110233/0	2	Coprinozzo	Hub Cover	Couvre Moyeu	Nabendeckel
46	382000597/0	2	Cerchio Ruota	Rimm	Bandage Roue	Hinterrad Felger
47	25950000/0	2	Valvola	Valve	Soupape	Ventil
48	125590015/0	2	Pneumatico	Shoe	Pneu	Reifen

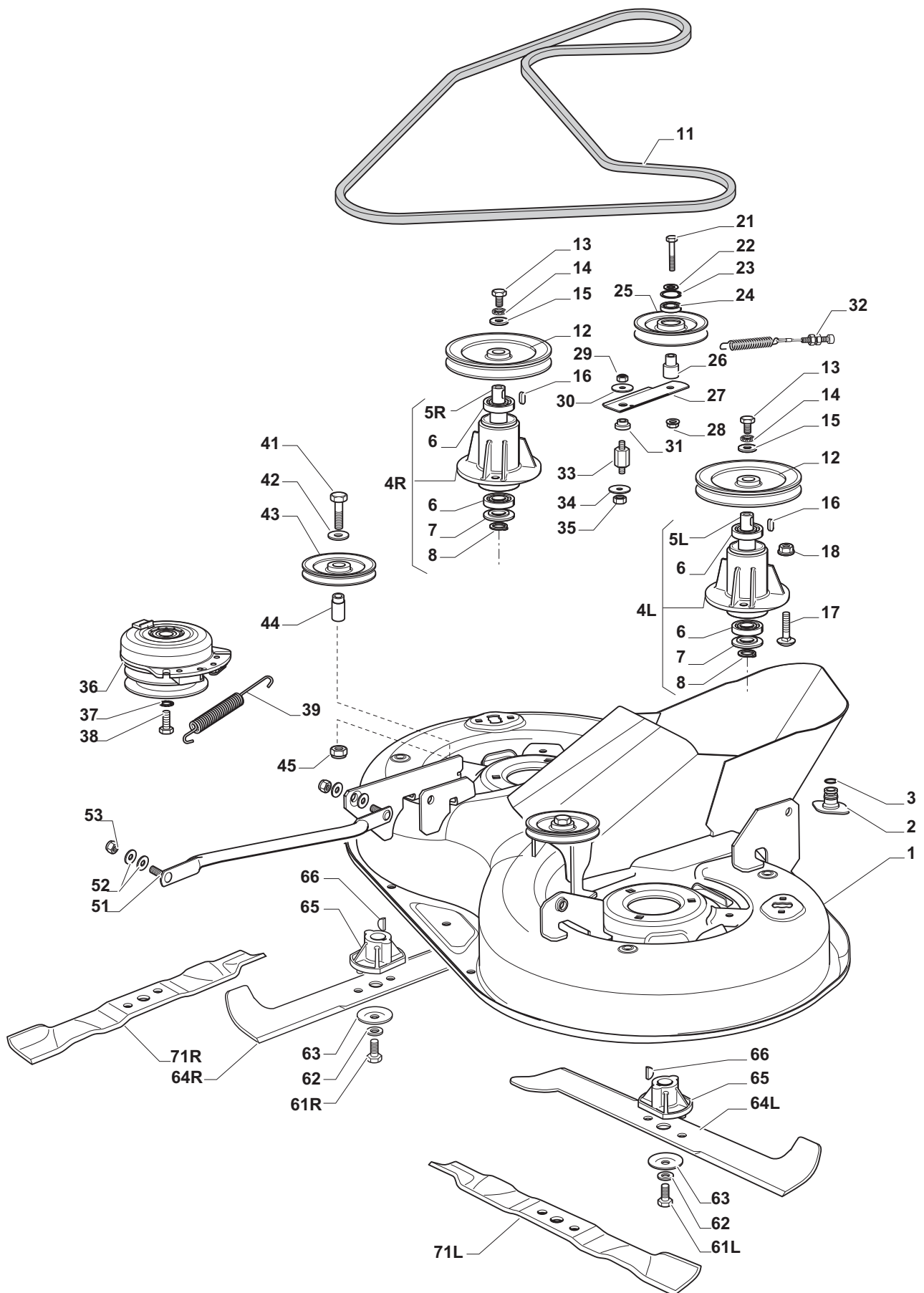




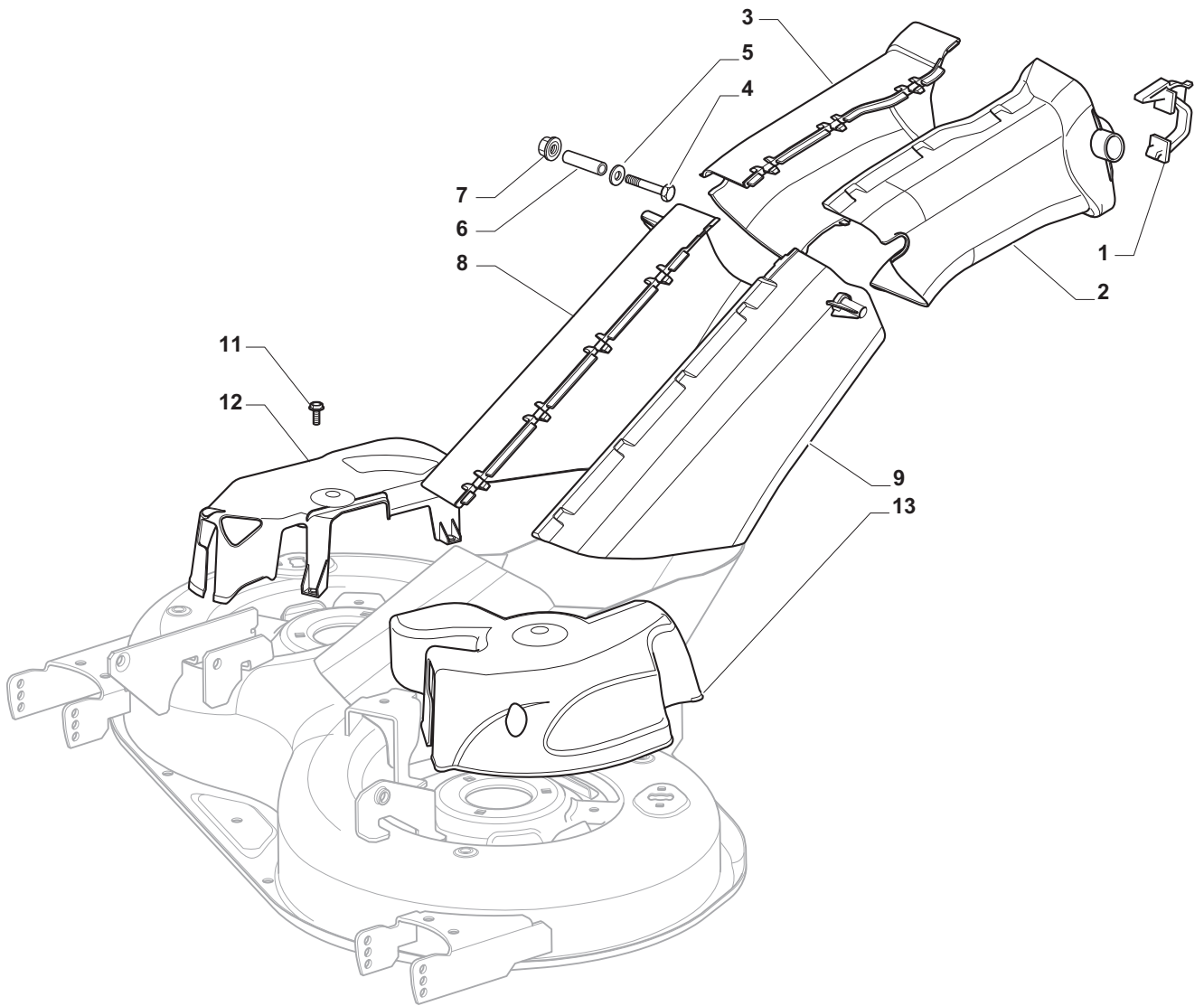
POS	CODE	Q.TY	DESCRIZIONE	DESCRIPTION	DESCRIPTION	BESCHREIBUNG
1	325394533/0	1	Manopola	Knob	Poignee	Griff
2	382318255/0	1	Leva	Lever	Levier	Hebel
3	382318231/0	1	Asse Sollevamento	Axle	Axe	Achse
4	12674700/0	1	Vite	Screw	Vis	Schraube
5	125430261/0	1	Molla	Spring	Ressort	Feder
6	12154510/0	1	Dado	Nut	Ecrou	Mutter
7	325038006/0	2	Boccola	Bush	Douille	Büchse
8	325785297/0	1	Supporto	Support	Support	Halter
9	125943009/0	2	Vite	Screw	Vis	Schraube
10	325735515/0	1	Settore	Steering Shaft	Arbre Direction	Lenkungsweile
11	125943009/0	2	Vite	Screw	Vis	Schraube
12	12793701/0	1	Vite	Screw	Vis	Schraube
13	125040636/0	1	Bussola	Bush	Douille	Büchse
14	125601579/0	1	Puleggia	Pulley	Poulie	Riemenscheibe
15	382004620/0	1	Filo	Wire	Fil	Kabel
16	12523060/0	1	Rondella	Washer	Rondelle	Scheibe
17	12293201/0	1	Dado	Nut	Ecrou	Mutter
21	382318253/0	1	Asse Sollevamento	Axle	Axe	Achse
22	12735599/0	4	Vite	Screw	Vis	Schraube
23	325547231/0	2	Piastra	Plate	Plaque	Platte
24	12155000/0	1	Dado	Nut	Ecrou	Mutter
25	12521390/0	2	Rondella	Washer	Rondelle	Scheibe
26	25670011/0	2	Rondella	Washer	Rondelle	Scheibe
27	382000569/1	1	Asta Collegamento	Connecting Rod	Tige De Connexion	Verbindungsstab
28	12521350/0	1	Rondella	Washer	Rondelle	Scheibe
29	382318237/0	1	Asse Sollevamento	Axle	Axe	Achse
30	12604899/0	1	Fissatore A Corona	Crown Fastener	Fixateur A Couronne	Kronescheibe
31	325547231/0	1	Piastra	Plate	Plaque	Platte
32	12735599/0	2	Vite	Screw	Vis	Schraube
34	25670008/1	3	Rondella	Washer	Rondelle	Scheibe
35	125510107/1	3	Perno	Pin	Pivot	Bolzen
36	12156602/0	3	Dado	Nut	Ecrou	Mutter
37	12295200/0	3	Dado	Nut	Ecrou	Mutter
38	25840012/0	3	Tirante	Tie Rod	Tirant	Spannstange
39	12523060/0	3	Rondella	Washer	Rondelle	Scheibe
41	24487998/0	3	Coppiglia	Cotter Pin	Goupille	Splint
43	12156602/0	3	Dado	Nut	Ecrou	Mutter
44	25670008/1	6	Rondella	Washer	Rondelle	Scheibe



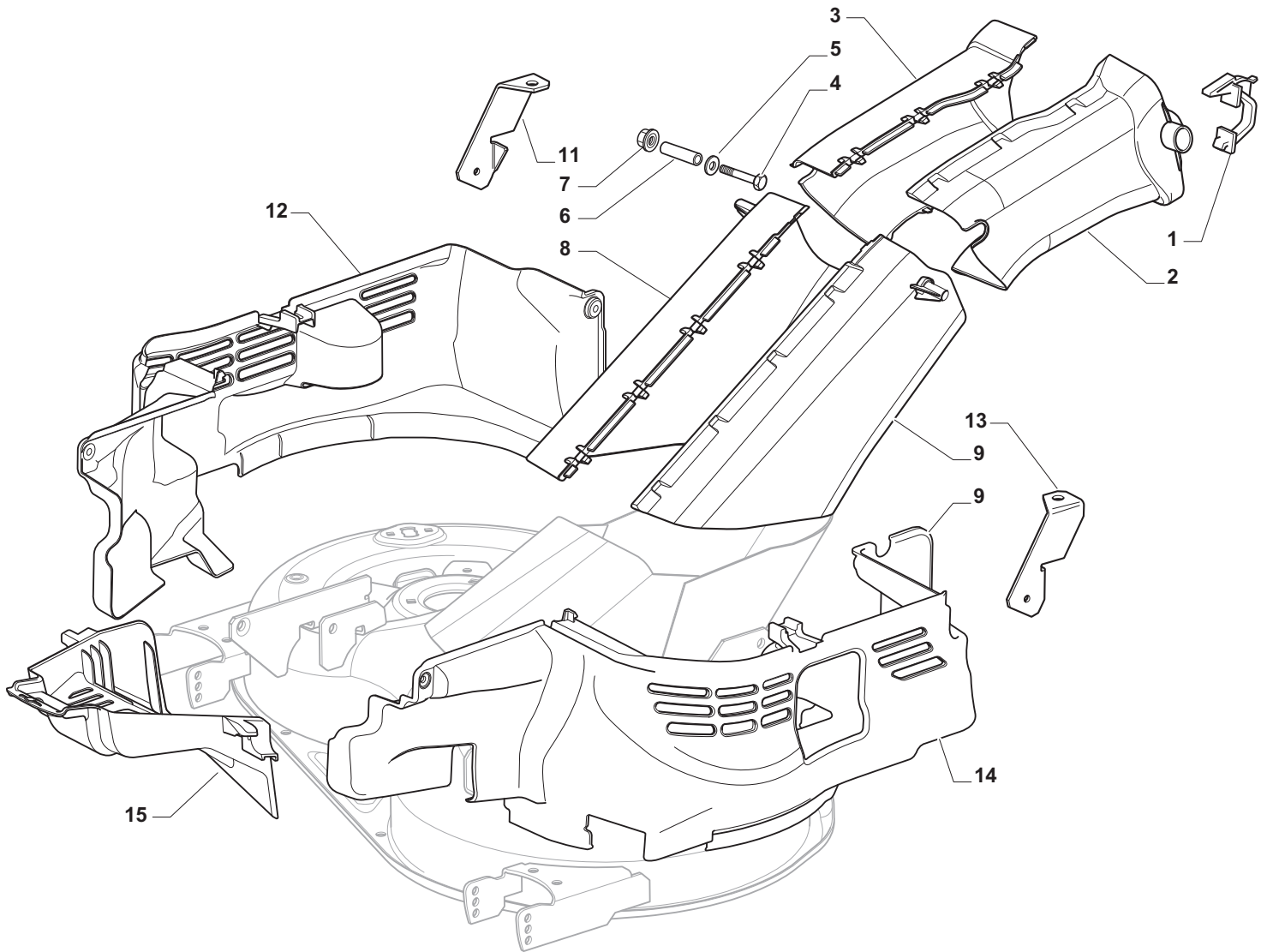
POS	CODE	Q.TY	DESCRIZIONE	DESCRIPTION	DESCRIPTION	BESCHREIBUNG
1	382564113/0	1	Piatto Di Taglio Nero	Cutting Plate Black	Plateau De Coupe Noire	Schneidwerkzeug Schwarz
1	382564115/0	1	Piatto Di Taglio Rosso	Cutting Plate Red	Plateau De Coupe Rouge	Schneidwerkzeug Rot
2	325033086/0	2	Attacco Tubo Acqua	Water Hose Connection	Raccord Tuyau D'Eau	Wasseranschluss
3	19035000/0	2	Anello Or	O Ring	O Ring	O Ring
4R	382207205/0	1	Ass. Flangia	Flange Ass.Y	Ensamble Bride	Nabe, Komplet
4L	382207206/0	1	Ass. Flangia	Flange Ass.Y	Ensamble Bride	Nabe, Komplet
5R	125020805/0	1	Albero	Shaft	Arbre	Welle
5L	125020804/0	1	Albero	Shaft	Arbre	Welle
6	119216049/0	4	Cuscinetto	Bearing	Roulement	Kuegellager
7	25160501/0	2	Disco Parapolvere	Dust Cover	Protege-Poussiere	Staubschuttscheibe
8	12609260/0	2	Seeger	Seeger	Seeger	Seeger
11	135061508/0	1	Cinghia	Belt	Courroie	Riemen
12	25601571/0	2	Puleggia	Pulley	Poulie	Riemenscheibe
13	12793102/0	2	Vite	Screw	Vis	Schraube
14	12540260/0	2	Rondella	Washer	Rondelle	Scheibe
15	25670007/0	2	Rosetta	Washer	Rondelle	Scheibe
16	12139480/0	2	Chiavetta	Key	Clavette	Keil
17	12818690/0	6	Vite	Screw	Vis	Schraube
18	12154210/0	6	Dado	Nut	Ecrou	Mutter
21	12691400/0	1	Vite	Screw	Vis	Schraube
22	12524010/0	1	Rosetta	Washer	Rondelle	Scheibe
23	12610800/0	1	Anello Elastico	Snap Ring	Anneau Ressort	Sprengring
24	19216041/0	1	Cuscinetto	Bearing	Roulement	Kuegellager
24	119216048/0	1	Cuscinetto	Bearing	Roulement	Kuegellager
25	125601595/0	1	Puleggia	Pulley	Poulie	Riemenscheibe
26	125160052/0	1	Distanziale	Spacer	Entretoise	Entfernungsstück
27	325318289/0	1	Leva	Lever	Levier	Hebel
28	12293201/0	1	Dado	Nut	Ecrou	Mutter
29	12155020/0	1	Dado	Nut	Ecrou	Mutter
30	125670022/0	1	Rondella	Washer	Rondelle	Scheibe
31	125040635/0	1	Bussola	Bush	Douille	Büchse
32	82004618/0	1	Filo	Wire	Fil	Kabel
33	125160049/0	1	Distanziale	Spacer	Entretoise	Entfernungsstück
34	12523080/0	1	Rosetta	Washer	Rondelle	Scheibe
35	12156602/0	1	Dado	Nut	Ecrou	Mutter
36	118399069/0	1	Frizione	Clutc	Embrajage	Kupplung
37	12543000/0	1	Rosetta	Washer	Rondelle	Scheibe
38	12737320/0	1	Vite	Screw	Vis	Schraube
39	125430277/0	1	Molla	Spring	Ressort	Feder
41	112691400/0	2	Vite	Screw	Vis	Schraube
42	112523060/0	2	Rondella	Washer	Rondelle	Scheibe
43	125601555/0	2	Puleggia	Pulley	Poulie	Riemenscheibe
44	125160069/0	2	Distanziale	Spacer	Entretoise	Entfernungsstück
45	112155000/0	2	Dado	Nut	Ecrou	Mutter
46	112692050/0	2	Vite	Screw	Vis	Schraube
47	112523060/0	2	Rondella	Washer	Rondelle	Scheibe
48	125160072/0	2	Distanziale	Spacer	Entretoise	Entfernungsstück
49	182700005/0	2	Ruotino Antiscalpo	Anti Scalp Wheel	Roulettes Antiscalp	Skalpierschutzrädchen
50	112293201/0	2	Dado	Nut	Ecrou	Mutter
51	382000565/0	2	Asta Bilanciere	Equalizer Rod	Tige Balancier	Kipphebel
52	25670008/1	8	Rondella	Washer	Rondelle	Scheibe
53	12156602/0	4	Dado	Nut	Ecrou	Mutter
61R	112735695/1	1	Vite	Screw	Vis	Schraube
61L	112735694/0	1	Vite	Screw	Vis	Schraube
62	12523080/0	2	Rosetta	Washer	Rondelle	Scheibe
63	22160400/0	2	Disco Elastico	Elastic Washer	Rondelle Elastique	Federscheibe
64R	182004358/0	1	Coltello Destro, Alettato	Right Blade, Winged	Lame Droite, Aillettee	Rechter Messer, Flügel
64L	182004359/0	1	Coltello Sinistro, Alettato	Left Blade, Winged	Lame Gauche, Aillettee	Linker Messer, Flügel
65	25463200/0	2	Mozzo Coltello	Blade Hub	Moyeu Lame	Messerhalter
66	12139100/0	2	Linguetta	Feather	Clavette	Keil
71R	182004360/0	1	Coltello Destro Mulching	Right Blade Mulching	Lame Droite Mulching	Rechter Messer Mulching
71L	182004361/0	1	Coltello Sinistro Mulching	Left Blade Mulching	Lame Gauche Mulching	Linker Messer Mulching



POS	CODE	Q.TY	DESCRIZIONE	DESCRIPTION	DESCRIPTION	BESCHREIBUNG
1	382564114/0	1	Piatto, Nero	Plate	Plateau	Schneid
2	325033086/0	2	Attacco Tubo Acqua	Water Hose Connection	Raccord Tuyau D'Eau	Wasseranschluss
3	19035000/0	2	Anello Or	O Ring	O Ring	O Ring
4R	382207205/0	1	Ass. Flangia	Flange Ass.Y	Ensamble Bride	Nabe, Komplet
4L	382207206/0	1	Ass. Flangia	Flange Ass.Y	Ensamble Bride	Nabe, Komplet
5R	125020805/0	1	Albero	Shaft	Arbre	Welle
5L	125020804/0	1	Albero	Shaft	Arbre	Welle
6	119216049/0	4	Cuscinetto	Bearing	Roulement	Kuegellager
7	25160501/0	2	Disco Parapolvere	Dust Cover	Protege-Poussiere	Staubschuttscheibe
8	12609260/0	2	Seeger	Seeger	Seeger	Seeger
11	135061508/0	1	Cinghia	Belt	Courroie	Riemen
12	125601585/1	2	Puleggia	Pulley	Poulie	Riemenscheibe
13	12793102/0	2	Vite	Screw	Vis	Schraube
14	12540260/0	2	Rondella	Washer	Rondelle	Scheibe
15	25670007/0	2	Rosetta	Washer	Rondelle	Scheibe
16	12139480/0	2	Chiavetta	Key	Clavette	Keil
17	12818690/0	6	Vite	Screw	Vis	Schraube
18	12154210/0	6	Dado	Nut	Ecrou	Mutter
21	12691400/0	1	Vite	Screw	Vis	Schraube
22	12524010/0	1	Rosetta	Washer	Rondelle	Scheibe
23	12610800/0	1	Anello Elastico	Snap Ring	Anneau Ressort	Sprengring
24	19216041/0	1	Cuscinetto	Bearing	Roulement	Kuegellager
24	119216048/0	1	Cuscinetto	Bearing	Roulement	Kuegellager
25	125601595/0	1	Puleggia	Pulley	Poulie	Riemenscheibe
26	125160052/0	1	Distanziale	Spacer	Entretoise	Entfernungsstück
27	325318289/0	1	Leva	Lever	Levier	Hebel
28	12293201/0	1	Dado	Nut	Ecrou	Mutter
29	12155020/0	1	Dado	Nut	Ecrou	Mutter
30	125670022/0	1	Rondella	Washer	Rondelle	Scheibe
31	125040635/0	1	Bussola	Bush	Douille	Büchse
32	82004618/0	1	Filo	Wire	Fil	Kabel
33	125160049/0	1	Distanziale	Spacer	Entretoise	Entfernungsstück
34	12523080/0	1	Rosetta	Washer	Rondelle	Scheibe
35	12156602/0	1	Dado	Nut	Ecrou	Mutter
36	118399069/0	1	Frizione	Clutc	Embrajage	Kupplung
37	12543000/0	1	Rosetta	Washer	Rondelle	Scheibe
38	12737320/0	1	Vite	Screw	Vis	Schraube
39	125430277/0	1	Molla	Spring	Ressort	Feder
41	112691400/0	2	Vite	Screw	Vis	Schraube
42	112523060/0	2	Rondella	Washer	Rondelle	Scheibe
43	125601555/0	2	Puleggia	Pulley	Poulie	Riemenscheibe
44	125160069/0	2	Distanziale	Spacer	Entretoise	Entfernungsstück
45	112155000/0	2	Dado	Nut	Ecrou	Mutter
51	382000565/0	2	Asta Bilanciere	Equalizer Rod	Tige Balancier	Kipphebel
52	25670008/1	8	Rondella	Washer	Rondelle	Scheibe
53	12156602/0	4	Dado	Nut	Ecrou	Mutter
61R	112735695/1	1	Vite	Screw	Vis	Schraube
61L	112735694/0	1	Vite	Screw	Vis	Schraube
62	12523080/0	2	Rosetta	Washer	Rondelle	Scheibe
63	22160400/0	2	Disco Elastico	Elastic Washer	Rondelle Elastique	Federscheibe
64R	182004358/0	1	Coltello Destro, Alettato	Right Blade, Winged	Lame Droite, Aillettee	Rechter Messer, Flügel
64L	182004359/0	1	Coltello Sinistro, Alettato	Left Blade, Winged	Lame Gauche, Aillettee	Linker Messer, Flügel
65	25463200/0	2	Mozzo Coltello	Blade Hub	Moyeu Lame	Messerhalter
66	12139100/0	2	Linguetta	Feather	Clavette	Keil
71R	182004360/0	1	Coltello Destro Mulching	Right Blade Mulching	Lame Droite Mulching	Rechter Messer Mulching
71L	182004361/0	1	Coltello Sinistro Mulching	Left Blade Mulching	Lame Gauche Mulching	Linker Messer Mulching

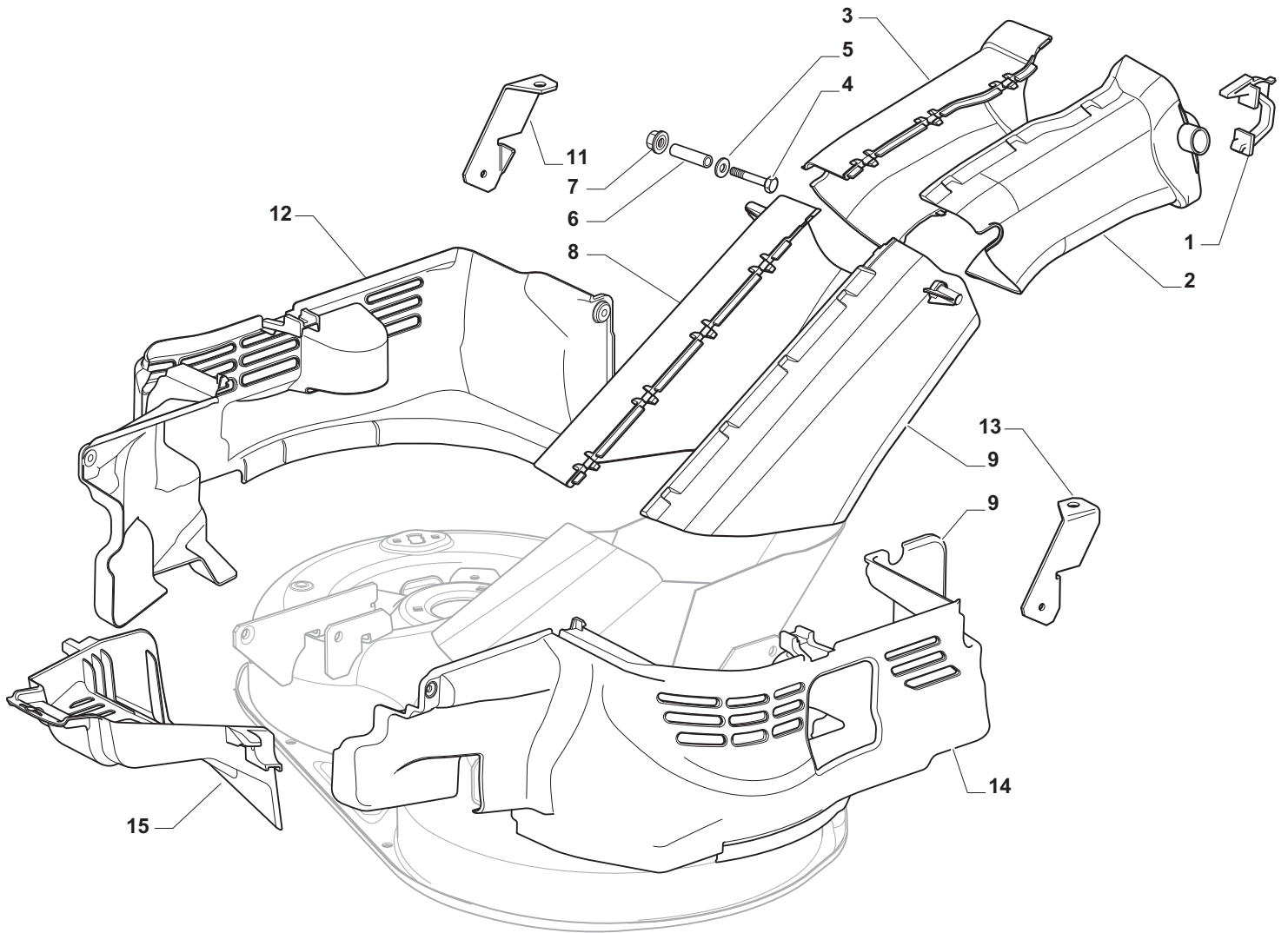


POS	CODE	Q.TY	DESCRIZIONE	DESCRIPTION	DESCRIPTION	BESCHREIBUNG
1	325774499/0	2	Staffa	Clamp	Etrier	Bride
2	325108056/0	1	Convogliatore	Conveyor	Convoyeur	Leitblechsatz
3	325108057/0	1	Convogliatore	Conveyor	Convoyeur	Leitblechsatz
4	112792425/0	2	Vite	Screw	Vis	Schraube
5	112521330/0	2	Rondella	Washer	Rondelle	Scheibe
6	125160071/0	2	Distanziale	Spacer	Entretoise	Entfernungsstück
7	112292102/0	2	Dado	Nut	Ecrou	Mutter
8	325108064/0	1	Convogliatore	Conveyor	Convoyeur	Leitblechsatz
9	325108065/0	1	Convogliatore	Conveyor	Convoyeur	Leitblechsatz
11	125943010/0	6	Vite	Screw	Vis	Schraube
12	325060170/0	1	Carter	Case	Carter	Blech
13	325060171/0	1	Carter	Case	Carter	Blech

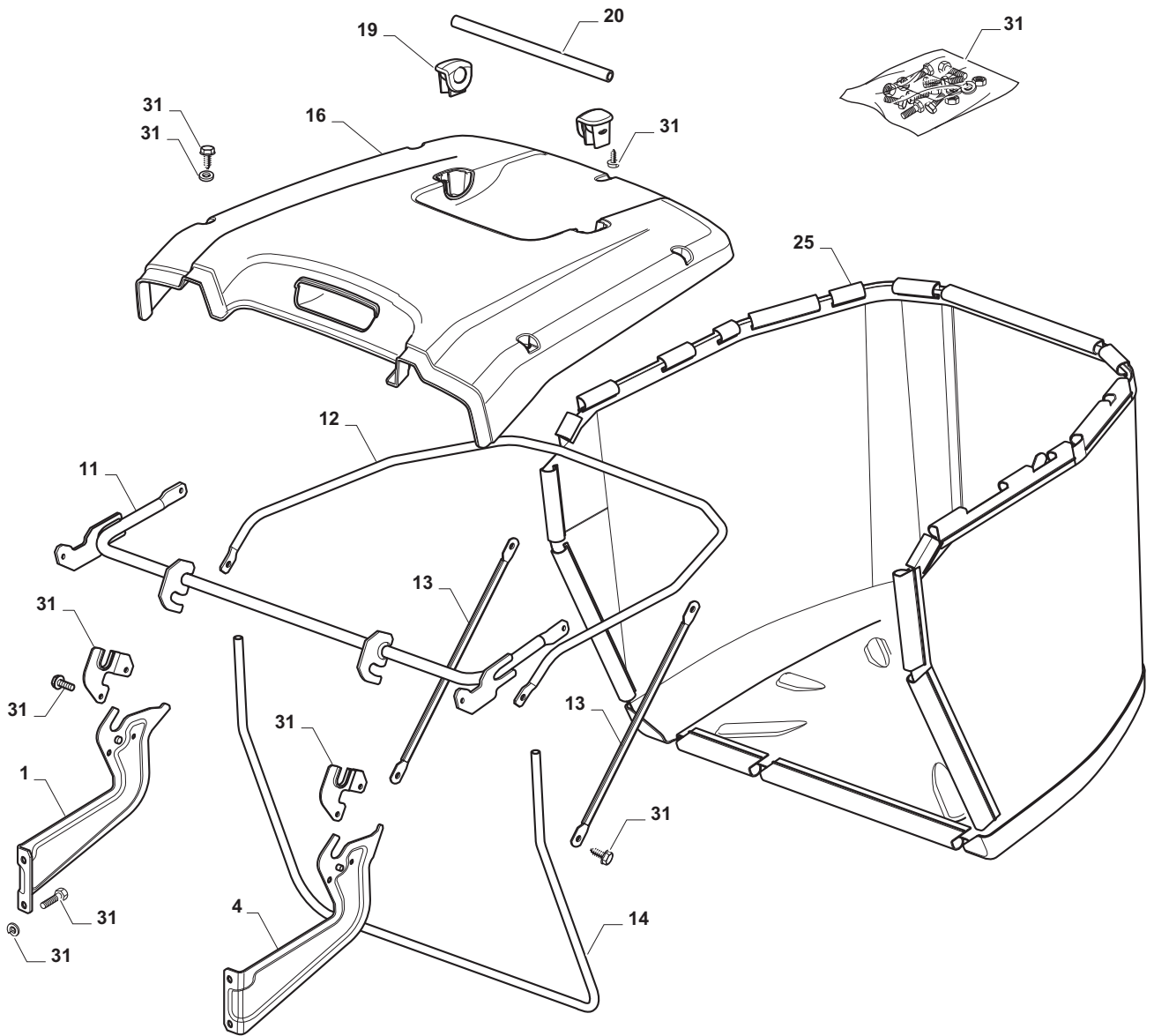




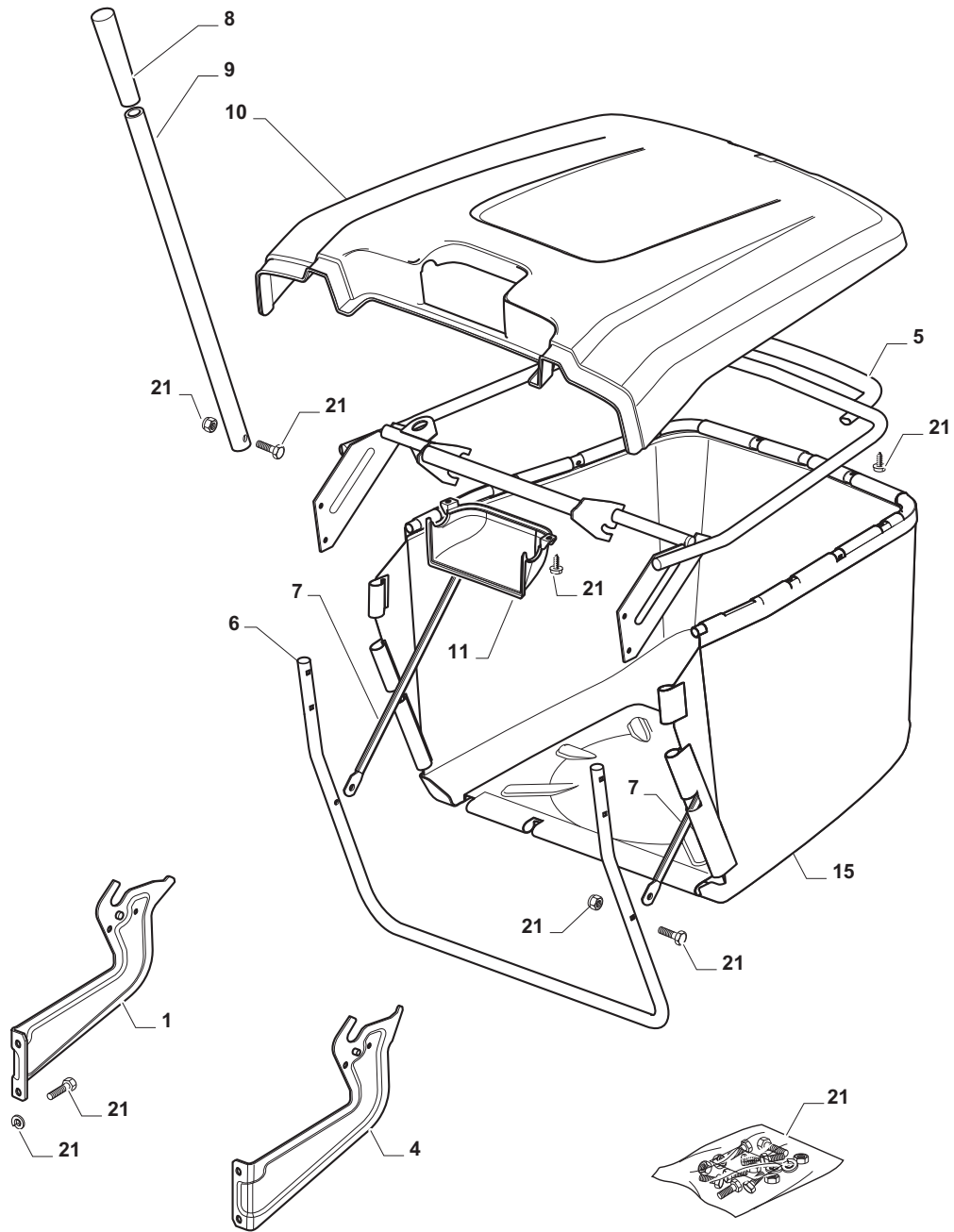
POS	CODE	Q.TY	DESCRIZIONE	DESCRIPTION	DESCRIPTION	BESCHREIBUNG
1	325774499/0	2	Staffa	Clamp	Etrier	Bride
2	325108056/0	1	Convogliatore	Conveyor	Convoyeur	Leitblechsatz
3	325108057/0	1	Convogliatore	Conveyor	Convoyeur	Leitblechsatz
4	112792425/0	2	Vite	Screw	Vis	Schraube
5	112521330/0	2	Rondella	Washer	Rondelle	Scheibe
6	125160071/0	2	Distanziale	Spacer	Entretoise	Entfernungsstück
7	112292102/0	2	Dado	Nut	Ecrou	Mutter
8	325108064/0	1	Convogliatore	Conveyor	Convoyeur	Leitblechsatz
9	325108065/0	1	Convogliatore	Conveyor	Convoyeur	Leitblechsatz
11	325774527/0	1	Staffa	Clamp	Etrier	Bride
12	325060168/0	1	Carter	Case	Carter	Blech
13	325774529/0	1	Staffa	Clamp	Etrier	Bride
14	325060169/0	1	Carter	Case	Carter	Blech
15	325060166/0	1	Protezione	Guard	Protection	Schutze



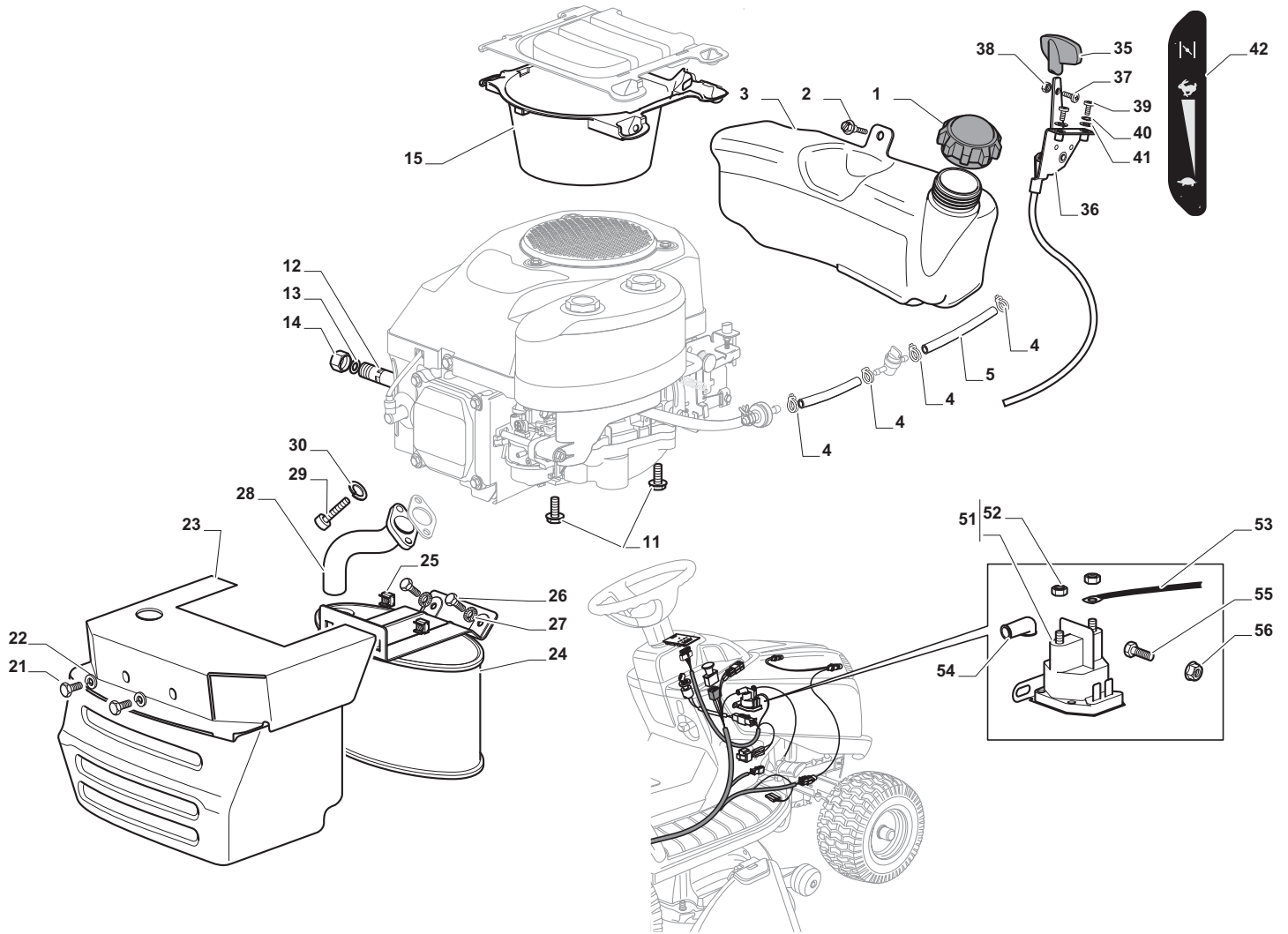
POS	CODE	Q.TY	DESCRIZIONE	DESCRIPTION	DESCRIPTION	BESCHREIBUNG
1	325774499/0	2	Staffa	Clamp	Etrier	Bride
2	325108056/0	1	Convogliatore	Conveyor	Convoyeur	Leitblechsatz
3	325108057/0	1	Convogliatore	Conveyor	Convoyeur	Leitblechsatz
4	112792425/0	2	Vite	Screw	Vis	Schraube
5	112521330/0	2	Rondella	Washer	Rondelle	Scheibe
6	125160071/0	2	Distanziale	Spacer	Entretoise	Entfernungsstück
7	112292102/0	2	Dado	Nut	Ecrou	Mutter
8	325108064/0	1	Convogliatore	Conveyor	Convoyeur	Leitblechsatz
9	325108065/0	1	Convogliatore	Conveyor	Convoyeur	Leitblechsatz
11	325774527/0	1	Staffa	Clamp	Etrier	Bride
12	325060164/0	1	Carter	Case	Carter	Blech
13	325774529/0	1	Staffa	Clamp	Etrier	Bride
14	325060165/0	1	Carter	Case	Carter	Blech
15	325060166/0	1	Protezione	Guard	Protection	Schutze



POS	CODE	Q.TY	DESCRIZIONE	DESCRIPTION	DESCRIPTION	BESCHREIBUNG
1	325785377/0	1	Supporto	Support	Support	Halter
4	325785383/0	1	Supporto	Support	Support	Halter
11	382800147/0	1	Telaio Superiore	Upper Frame	Chassis Superieur	Obererrahmen
12	382800145/0	1	Telaio Superiore	Upper Frame	Chassis Superieur	Obererrahmen
13	325650161/0	2	Rinforzo	Stiffening	Reinforcement	Verstaerkung
14	382800143/0	1	Telaio Bocca Sacco	Front Frame	Chassis Avant	
16	325110437/0	1	Copertura Sacco Nero	Grass-Catcher Cover, Black	Couvre-Bac Noir	Sackkappe Schwarz
19	325785417/0	2	Supporto	Support	Support	Halter
20	325394538/0	1	Maniglia	Handle	Poignee	Griff
25	182105942/0	1	Confezione Sacco	Grasscatcher	Bac	Sack
31	382180122/0	1	Dotazione Viteria	Screws Outfit	Ensemble Des Vis	Schraubenausrüstung

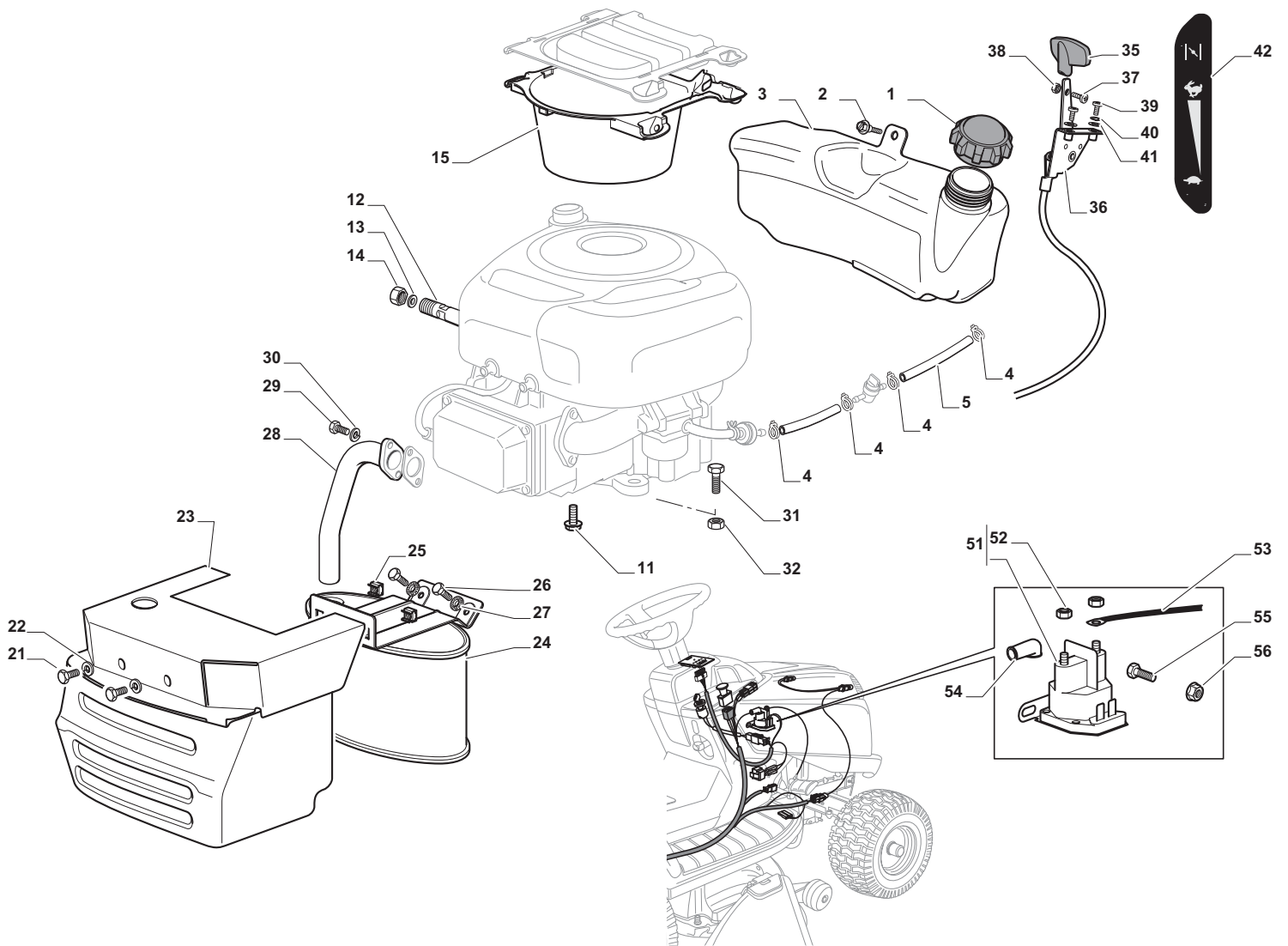


POS	CODE	Q.TY	DESCRIZIONE	DESCRIPTION	DESCRIPTION	BESCHREIBUNG
1	325785377/0	1	Supporto	Support	Support	Halter
4	325785383/0	1	Supporto	Support	Support	Halter
5	382800139/0	1	Telaio Superiore	Upper Frame	Chassis Superieur	Obererrahmen
6	382800141/0	1	Telaio Bocca Sacco	Front Frame	Chassis Avant	Vorderrahmen
7	325650149/0	2	Rinforzo	Stiffening	Reinforcement	Verstaerkung
8	125394508/0	1	Manopola	Handle	Poingee	Griff
9	325869087/0	1	Tubo	Rod	Tige	Stange
10	325110431/0	1	Copertura Sacco Rosso	Grass-Catcher Cover, Red	Couvre-Bac Rouge	Sackkappe Rot
10	325110434/0	1	Copertura Sacco Bianco	Grass-Catcher Cover, White	Couvre-Bac Blanc	Sackkappe Weiß
10	325110439/0	1	Copertura Sacco Giallo	Grass-Catcher Cover, Yellow	Couvre-Bac Jaune	Sackkappe Gelb
10	325110436/0	1	Copertura Sacco Nero	Grass-Catcher Cover, Black	Couvre-Bac Noir	Sackkappe Schwarz
10	325110447/0	1	Copertura Sacco Verde	Grass-Catcher Cover, Green	Couvre-Bac Vert	Sackkappe Grün
11	325207195/0	1	Copertura Maniglia	Handle Cover	Couvre-Poignee	Griffkappe
15	182105947/0	1	Confezione Sacco	Grasscatcher	Bac	Sack
21	382180123/0	1	Dotazione Viteria	Screws Outfit	Ensemble Des Vis	Schraubenausrüstung

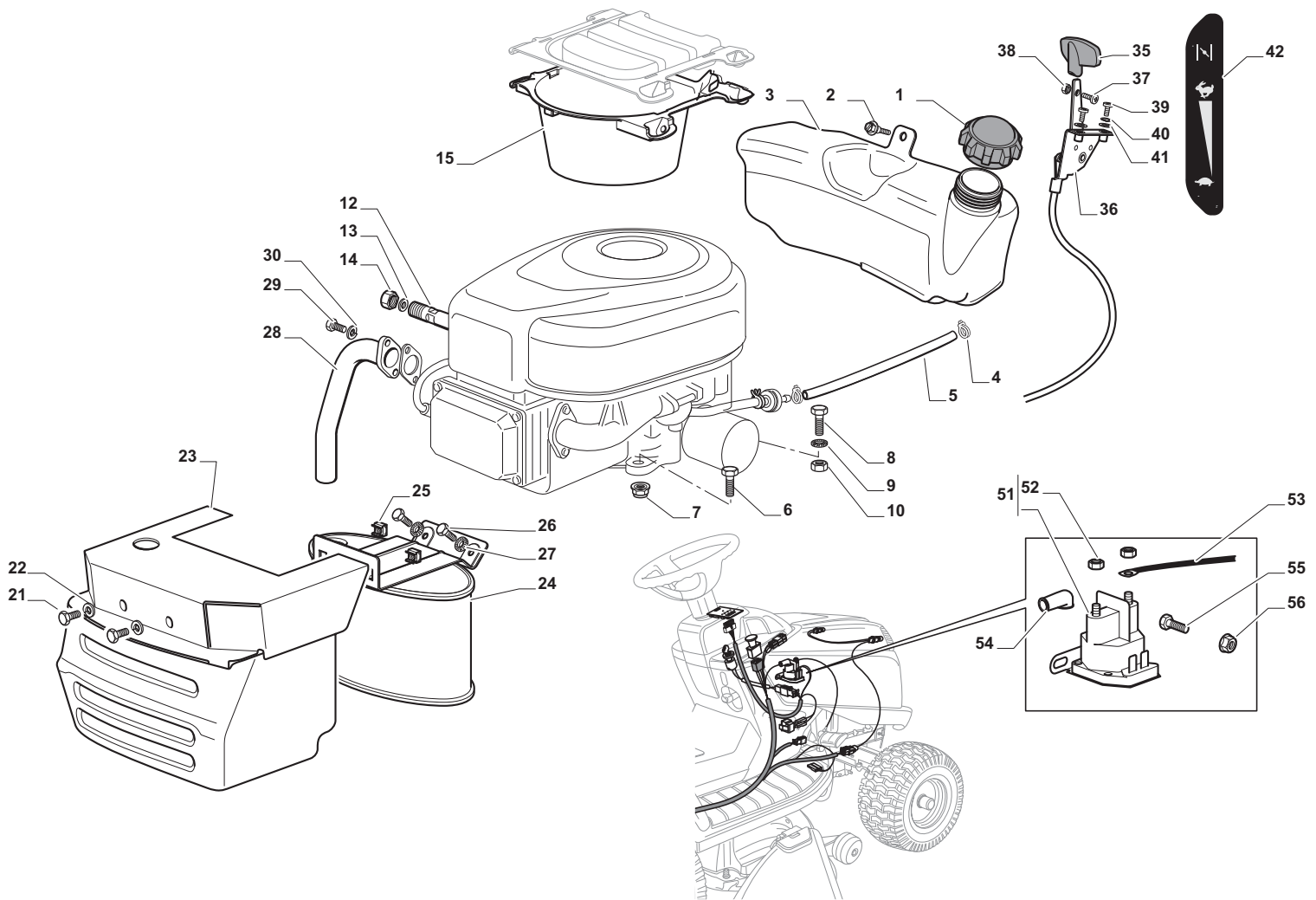




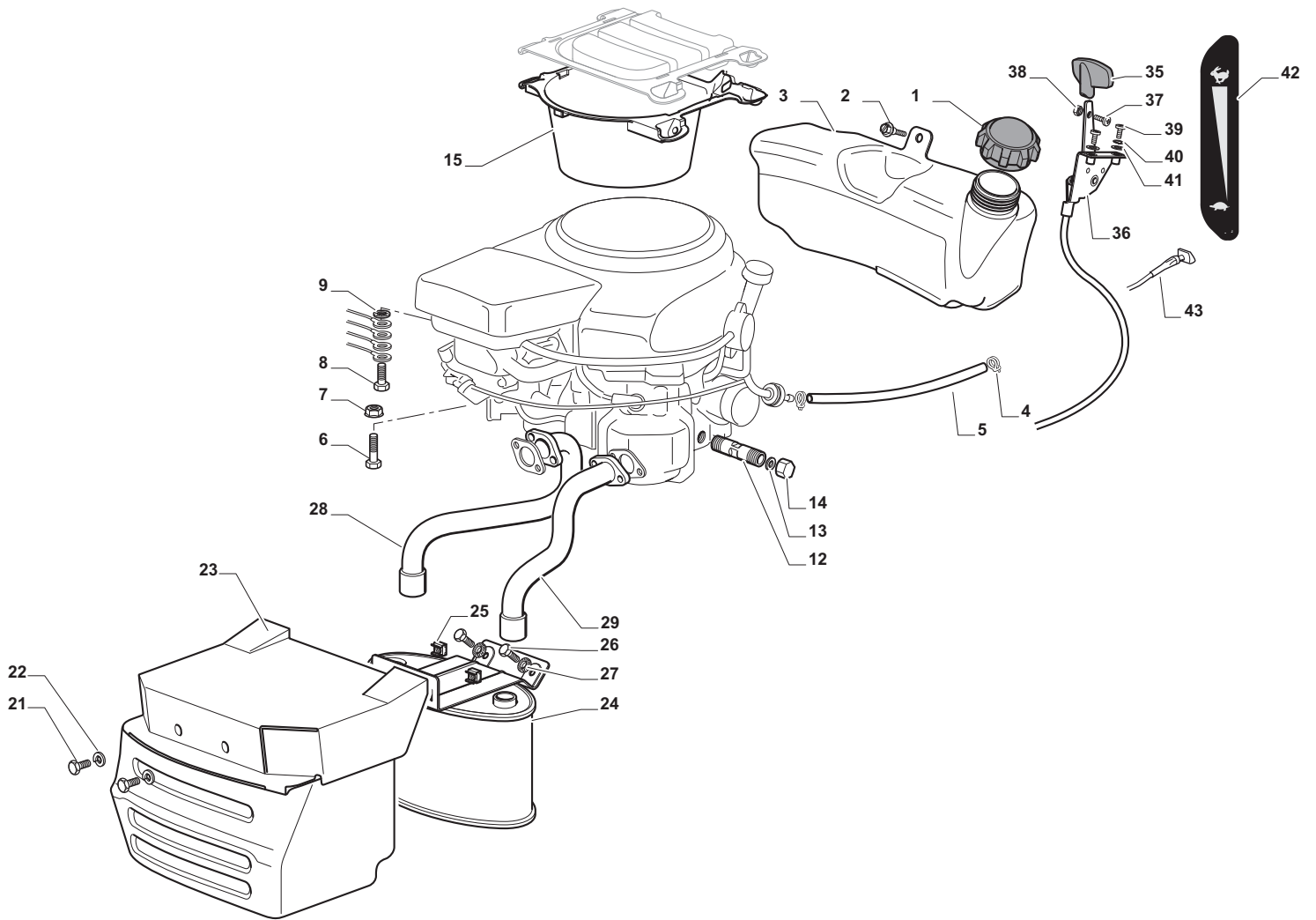
POS	CODE	Q.TY	DESCRIZIONE	DESCRIPTION	DESCRIPTION	BESCHREIBUNG
1	25795001/1	1	Tappo Serbatoio	Cap	Bouchon	Tankverschluss
2	125943006/0	4	Vite	Screw	Vis	Schraube
3	325735126/0	1	Serbatoio	Tank	Reservoir	Tank
4	18375051/1	4	Fascetta	Fair Led	Fixation De Cable	Kabelbefestigung
5	25869057/0	1	Tubo Collegamento (1000 Mm)	Connecting Tube (1000 Mm)	Tube De Connexion (1000 Mm)	Verbindungsrohr (1000 Mm)
11	112735108/1	4	Vite	Screw	Vis	Schraube
12	27598060/0	1	Prolunga Scarico Olio	Oil Discharge Extension	Extension Dech. Huile	Öl Abfluss
13	18401001/1	1	Guarnizione	Oil Seal	Garniture	Dichtung
14	18737849/0	1	Tappo Per Prolunga	Oil Cap	Bouchon Huile	Oelverschluss
15	325108044/1	1	Convogliatore	Conveyor	Convoyeur	Konveyor
15	325108044/0	1	Convogliatore	Conveyor	Convoyeur	Konveyor
21	12792611/0	2	Vite	Screw	Vis	Schraube
22	12540260/0	2	Rondella	Washer	Rondelle	Scheibe
23	382598045/0	1	Protezione Silenziatore	Muffler Protection	Protection Silencieux	Auspuffschutz
24	182750010/0	1	Silenziatore	Muffler	Silenceux	Auspuff
25	12360425/0	2	Dado (Mecc.)	Nut (Mech.)	Ecrou (Mec.)	Mutter (Mech.)
26	12792611/0	2	Vite	Screw	Vis	Schraube
27	12540260/0	2	Rondella	Washer	Rondelle	Scheibe
28	118738231/1	1	Tubo Scarico	Exhaust Tube	Tube Echappement	Abgasungrohr
29	12737450/0	2	Vite	Screw	Vis	Schraube
30	12540260/0	2	Rondella	Washer	Rondelle	Scheibe
35	325394531/0	1	Manopolina	Knob	Poignee	Griff
36	182000215/0	1	Acceleratore	Accelerator	Accelérateur	Gas Zug
37	112726389/0	1	Vite	Screw	Vis	Schraube
38	12290800/0	1	Dado	Nut	Ecrou	Mutter
39	112726389/0	2	Vite	Screw	Vis	Schraube
40	12540020/0	2	Rondella	Washer	Rondelle	Scheibe
41	12521310/0	2	Rosetta	Washer	Rondelle	Scheibe
42	114363697/0	1	Etichetta	Label	Etiquette	Klebzettel
51	18736111/0	1	Relè Avviamento	Starter Relay	Relais D'Allumage	Anlassrelais
52	12360352/0	2	Dado	Nut	Ecrou	Mutter
53	25065002/0	1	Cavo Relé Avv.	Cable	Cable	Kabel
54	18564864/1	1	Cappuccio	Protection	Capuchon	Stecker
55	12790781/0	1	Vite	Screw	Vis	Schraube
56	12154510/0	2	Dado	Nut	Ecrou	Mutter



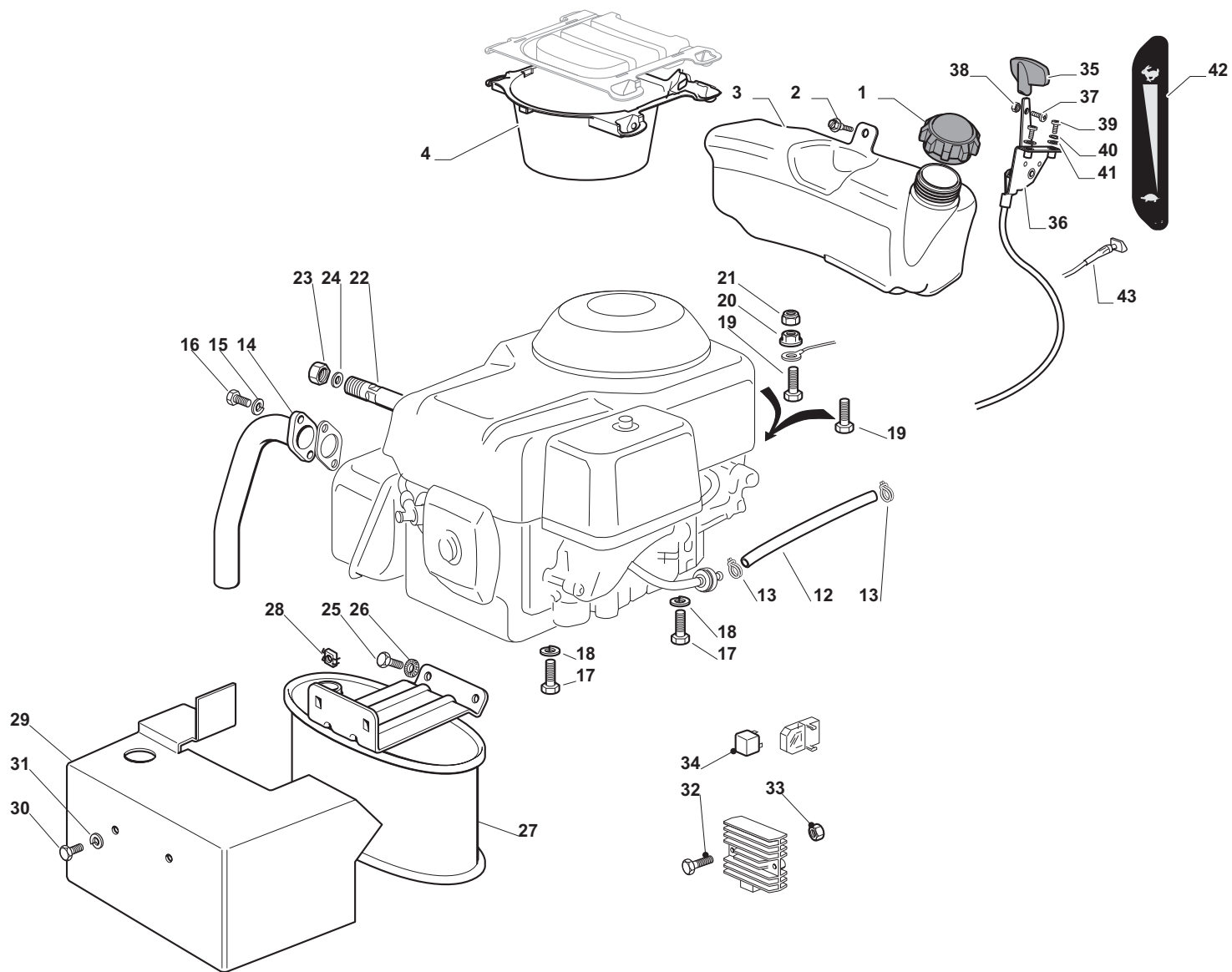
POS	CODE	Q.TY	DESCRIZIONE	DESCRIPTION	DESCRIPTION	BESCHREIBUNG
1	25795001/1	1	Tappo Serbatoio	Cap	Bouchon	Tankverschluss
2	125943010/0	4	Vite	Screw	Vis	Schraube
3	325735126/0	1	Serbatoio	Tank	Reservoir	Tank
4	18375051/1	4	Fascetta	Fair Led	Fixation De Cable	Kabelbefestigung
5	25869057/0	1	Tubo Collegamento (1000 Mm)	Connecting Tube (1000 Mm)	Tube De Connexion (1000 Mm)	Verbindungsrohr (1000 Mm)
6	12691100/0	3	Vite	Screw	Vis	Schraube
7	12154210/0	3	Dado	Nut	Ecrou	Mutter
8	12691115/0	1	Vite	Screw	Vis	Schraube
9	12540260/0	1	Rondella	Washer	Rondelle	Scheibe
10	12154210/0	1	Dado	Nut	Ecrou	Mutter
11	112735108/1	3	Vite	Screw	Vis	Schraube
12	25598050/0	1	Prolunga Scarico Olio	Oil Discharge Extension	Extension Dech. Huile	Öl Abfluss
13	18401001/1	1	Guarnizione	Oil Seal	Garniture	Dichtung
14	18737849/0	1	Tappo Per Prolunga	Oil Cap	Bouchon Huile	Oelverschluss
15	325108044/1	1	Convogliatore	Conveyor	Convoyeur	Konveyor
15	325108044/0	1	Convogliatore	Conveyor	Convoyeur	Konveyor
21	12792611/0	2	Vite	Screw	Vis	Schraube
22	12540260/0	2	Rondella	Washer	Rondelle	Scheibe
23	382598047/0	1	Protezione Silenziatore	Muffler Protection	Protection Silencieux	Auspuffschutz
24	182750010/0	1	Silenziatore	Muffler	Silenceux	Auspuff
25	12360425/0	2	Dado (Mecc.)	Nut (Mech.)	Ecrou (Mec.)	Mutter (Mech.)
26	12792611/0	2	Vite	Screw	Vis	Schraube
27	12540260/0	2	Rondella	Washer	Rondelle	Scheibe
28	18738224/0	1	Tubo Scarico	Exhaust Tube	Tube Echappement	Abgasungrohr
29	12737450/0	2	Vite	Screw	Vis	Schraube
30	12540260/0	2	Rondella	Washer	Rondelle	Scheibe
31	12691115/0	1	Vite	Screw	Vis	Schraube
32	12154210/0	1	Dado	Nut	Ecrou	Mutter
35	325394531/0	1	Manopolina	Knob	Poignee	Griff
36	182000216/0	1	Acceleratore	Accelerator	Accelérateur	Gas Zug
37	112726389/0	1	Vite	Screw	Vis	Schraube
38	12290800/0	1	Dado	Nut	Ecrou	Mutter
39	112726389/0	2	Vite	Screw	Vis	Schraube
40	12540020/0	2	Rondella	Washer	Rondelle	Scheibe
41	12521310/0	2	Rosetta	Washer	Rondelle	Scheibe
42	114363697/0	1	Etichetta	Label	Etiquette	Klebzettel
51	18736111/0	1	Relè Avviamento	Starter Relay	Relais D'Allumage	Anlassrelais
52	12360352/0	2	Dado	Nut	Ecrou	Mutter
53	25065002/0	1	Cavo Relé Avv.	Cable	Cable	Kabel
54	18564864/1	1	Cappuccio	Protection	Capuchon	Stecker
55	12790781/0	1	Vite	Screw	Vis	Schraube
56	12154510/0	2	Dado	Nut	Ecrou	Mutter



POS	CODE	Q.TY	DESCRIZIONE	DESCRIPTION	DESCRIPTION	BESCHREIBUNG
1	25795001/1	1	Tappo Serbatoio	Cap	Bouchon	Tankverschluss
2	125943010/0	4	Vite	Screw	Vis	Schraube
3	325735126/0	1	Serbatoio	Tank	Reservoir	Tank
4	18375051/1	2	Fascetta	Fair Led	Fixation De Cable	Kabelbefestigung
5	25869057/0	1	Tubo Collegamento (1000 Mm)	Connecting Tube (1000 Mm)	Tube De Connexion (1000 Mm)	Verbindungsrohr (1000 Mm)
6	112735108/1	3	Vite	Screw	Vis	Schraube
7	12154210/0	3	Dado	Nut	Ecrou	Mutter
8	12691115/0	1	Vite	Screw	Vis	Schraube
9	12540260/0	1	Rondella	Washer	Rondelle	Scheibe
10	12154210/0	1	Dado	Nut	Ecrou	Mutter
12	25598050/0	1	Prolunga Scarico Olio	Oil Discharge Extension	Extension Dech. Huile	Öl Abfluss
13	18401001/1	1	Guarnizione	Oil Seal	Garniture	Dichtung
14	18737849/0	1	Tappo Per Prolunga	Oil Cap	Bouchon Huile	Oelverschluss
15	325108044/0	1	Convogliatore	Conveyor	Convoyeur	Konveyor
15	325108044/1	1	Convogliatore	Conveyor	Convoyeur	Konveyor
21	12792611/0	2	Vite	Screw	Vis	Schraube
22	12540260/0	2	Rondella	Washer	Rondelle	Scheibe
23	382598047/0	1	Protezione Silenziatore	Muffler Protection	Protection Silencieux	Auspuffschutz
24	182750010/0	1	Silenziatore	Muffler	Silenceux	Auspuff
25	12360425/0	2	Dado (Mecc.)	Nut (Mech.)	Ecrou (Mec.)	Mutter (Mech.)
26	12792611/0	2	Vite	Screw	Vis	Schraube
27	12540260/0	2	Rondella	Washer	Rondelle	Scheibe
28	18738206/0	1	Tubo Scarico	Exhaust Tube	Tube Echappement	Abgasrohr
29	12737450/0	2	Vite	Screw	Vis	Schraube
30	12540260/0	2	Rondella	Washer	Rondelle	Scheibe
35	325394531/0	1	Manopolina	Knob	Poignee	Griff
36	82000200/1	1	Acceleratore	Accelerator	Accelérateur	Gas Zug
37	112726389/0	1	Vite	Screw	Vis	Schraube
38	12290800/0	1	Dado	Nut	Ecrou	Mutter
39	112726389/0	2	Vite	Screw	Vis	Schraube
40	12540020/0	2	Rondella	Washer	Rondelle	Scheibe
41	12521310/0	2	Rosetta	Washer	Rondelle	Scheibe
42	114363697/0	1	Etichetta	Label	Etiquette	Klebzettel
51	18736111/0	1	Relè Avviamento	Starter Relay	Relais D'Allumage	Anlassrelais
52	12360352/0	2	Dado	Nut	Ecrou	Mutter
53	25065002/0	1	Cavo Relé Avv.	Cable	Cable	Kabel
54	18564864/1	1	Cappuccio	Protection	Capuchon	Stecker
55	12790781/0	1	Vite	Screw	Vis	Schraube
56	12154510/0	2	Dado	Nut	Ecrou	Mutter

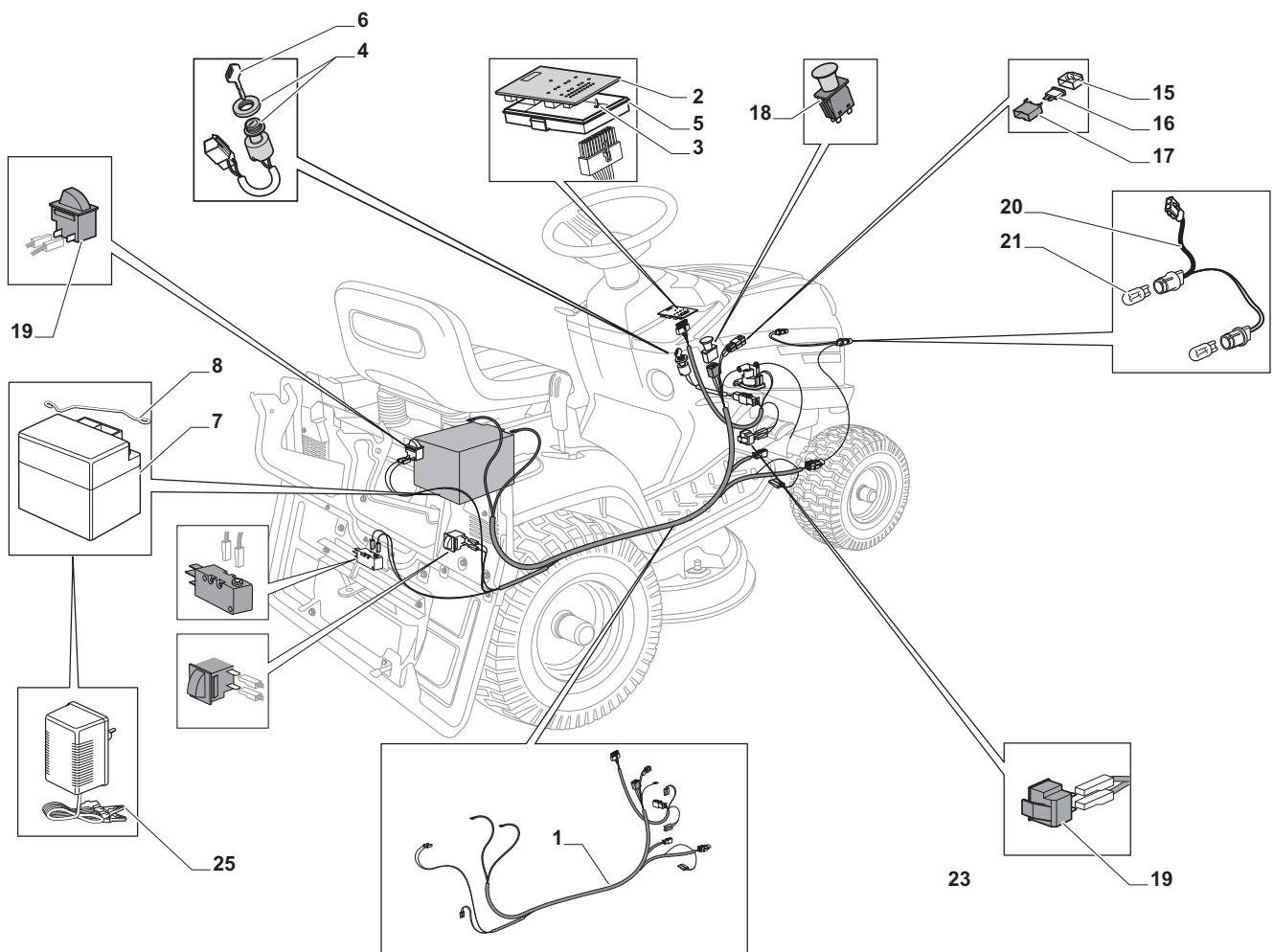


POS	CODE	Q.TY	DESCRIZIONE	DESCRIPTION	DESCRIPTION	BESCHREIBUNG
1	25795001/1	1	Tappo Serbatoio	Cap	Bouchon	Tankverschluss
2	125943010/0	4	Vite	Screw	Vis	Schraube
3	325735126/0	1	Serbatoio	Tank	Reservoir	Tank
4	18375051/1	2	Fascetta	Fair Led	Fixation De Cable	Kabelbefestigung
5	25869057/0	1	Tubo Collegamento (1000 Mm)	Connecting Tube (1000 Mm)	Tube De Connexion (1000 Mm)	Verbindungsrohr (1000 Mm)
6	12691115/0	4	Vite	Screw	Vis	Schraube
7	12154210/0	4	Dado	Nut	Ecrou	Mutter
8	12735599/0	1	Vite	Screw	Vis	Schraube
9	12540260/0	1	Rondella	Washer	Rondelle	Scheibe
12	25598052/0	1	Prolunga Scarico Olio	Oil Discharge Extension	Extension Dech. Huile	Öl Abfluss
13	18401001/1	1	Guarnizione	Oil Seal	Garniture	Dichtung
14	18737849/0	1	Tappo Per Prolunga	Oil Cap	Bouchon Huile	Oelverschluss
15	325108045/0	1	Convogliatore	Conveyor	Convoyeur	Konveyor
15	325108045/1	1	Convogliatore	Conveyor	Convoyeur	Konveyor
16	125730023/0	1	Separatore Aspiraz.	Intake Separator	Separateur Aspirat.	Augenabscheider
21	12792611/0	2	Vite	Screw	Vis	Schraube
22	12540260/0	2	Rondella	Washer	Rondelle	Scheibe
23	382598049/0	1	Protezione Silenziatore	Muffler Protection	Protection Silencieux	Auspuffschutz
24	82750003/0	1	Silenziatore	Muffler	Silenceux	Auspuff
25	12360425/0	2	Dado (Mecc.)	Nut (Mech.)	Ecrou (Mec.)	Mutter (Mech.)
26	12792611/0	2	Vite	Screw	Vis	Schraube
27	12540260/0	2	Rondella	Washer	Rondelle	Scheibe
28	18738221/0	1	Tubo Scarico Destro	Exhaust Tube Right	Tube Echappement Droit	Abgasungrohr, Rechte
29	18738222/0	1	Tubo Scarico Sinistro	Exhaust Tube Left	Tube Echappement Gau.	Abgasungrohr, Linke
35	325394531/0	1	Manopolina	Knob	Poignee	Griff
36	182000217/0	1	Acceleratore	Accelerator	Accelérateur	Gas Zug
37	112726389/0	1	Vite	Screw	Vis	Schraube
38	12290800/0	1	Dado	Nut	Ecrou	Mutter
39	112726389/0	2	Vite	Screw	Vis	Schraube
40	12540020/0	2	Rondella	Washer	Rondelle	Scheibe
41	12521310/0	2	Rosetta	Washer	Rondelle	Scheibe
42	114364617/0	1	Etichetta	Label	Etiquette	Klebzettel
43	125090006/0	1	Comando Starter	Choke Control	Commande Starter	Starter Betaetigung

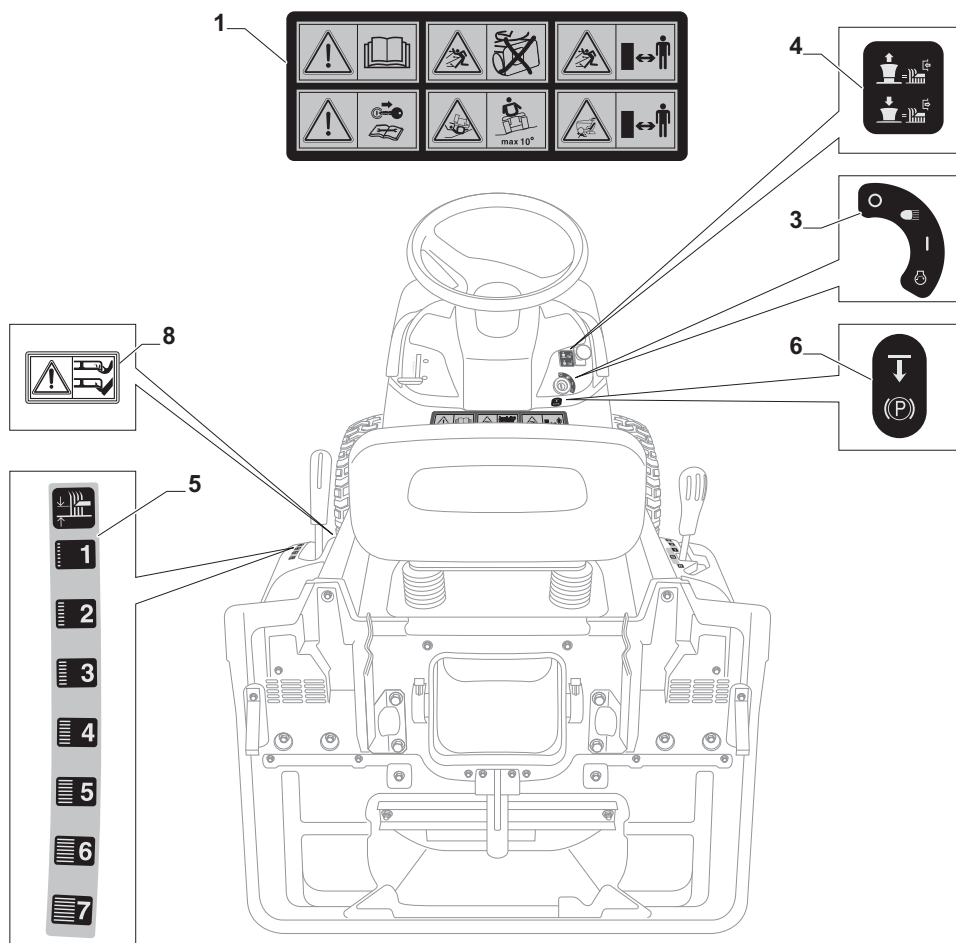




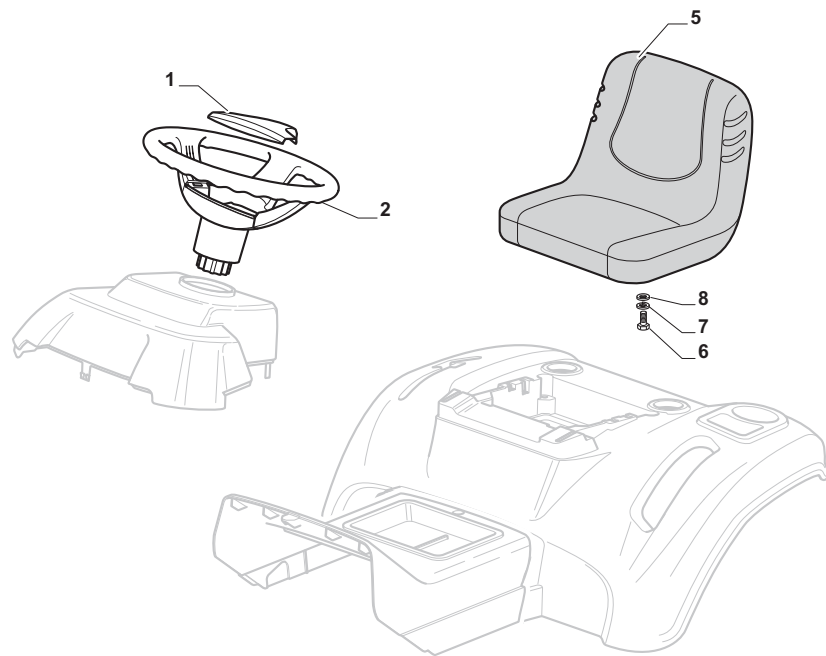
POS	CODE	Q.TY	DESCRIZIONE	DESCRIPTION	DESCRIPTION	BESCHREIBUNG
1	25795001/1	1	Tappo Serbatoio	Cap	Bouchon	Tankverschluss
2	125943010/0	4	Vite	Screw	Vis	Schraube
3	325735126/0	1	Serbatoio	Tank	Reservoir	Tank
4	325108044/1	1	Convogliatore	Conveyor	Convoyeur	Konveyor
12	25869057/0	1	Tubo Collegamento (1000 Mm)	Connecting Tube (1000 Mm)	Tube De Connexion (1000 Mm)	Verbindungsrohr (1000 Mm)
13	118375051/1	2	Fascetta	Fair Led	Fixation De Cable	Kabelbefestigung
14	112583500/0	1	Tubo Scarico	Exhaust Tube	Tube Echappement	Abgasungrohr
15	12583500/0	2	Grower	Grower	Grower	Grower
16	12793102/0	2	Vite	Screw	Vis	Schraube
17	12735802/0	2	Vite	Screw	Vis	Schraube
18	12583500/0	2	Grower	Grower	Grower	Grower
19	12691100/0	2	Vite	Screw	Vis	Schraube
20	12154210/0	2	Dado	Nut	Ecrou	Mutter
21	12155000/0	1	Dado	Nut	Ecrou	Mutter
22	127598060/0	1	Prolunga Scarico Olio	Oil Discharge Extension	Extension Rallonge De Dech. Huile	Öl Entlerungsverlaen Gerung
23	18737849/0	1	Tappo Per Prolunga	Oil Cap	Bouchon Huile	Oelverschluss
24	18401001/1	1	Guarnizione	Oil Seal	Garniture	Dichtung
25	12792611/0	2	Vite	Screw	Vis	Schraube
26	12540260/0	2	Rondella	Washer	Rondelle	Scheibe
27	182750010/0	1	Silenziatore	Muffler	Silenceux	Auspuff
28	12360425/0	2	Dado	Nut	Ecrou	Mutter
29	82598003/1	1	Protezione	Guard	Protection	Schutze
30	125943012/0	2	Vite	Screw	Vis	Schraube
31	12583500/0	2	Grower	Grower	Grower	Grower
32	112791213/1	2	Vite	Screw	Vis	Schraube
33	112154510/0	2	Dado	Nut	Ecrou	Mutter
34	33567000/0	1	Rele'	Relay	Relais	Relais
35	325394531/0	1	Manopolina	Knob	Poignee	Griff
36	184000251/1	1	Acceleratore	Accelerator	Accelérateur	Gas Zug
37	112726389/0	1	Vite	Screw	Vis	Schraube
38	12290800/0	1	Dado	Nut	Ecrou	Mutter
39	112726389/0	2	Vite	Screw	Vis	Schraube
40	12540020/0	2	Rondella	Washer	Rondelle	Scheibe
41	12521310/0	2	Rosetta	Washer	Rondelle	Scheibe
42	114363697/0	1	Etichetta	Label	Etiquette	Klebzettel



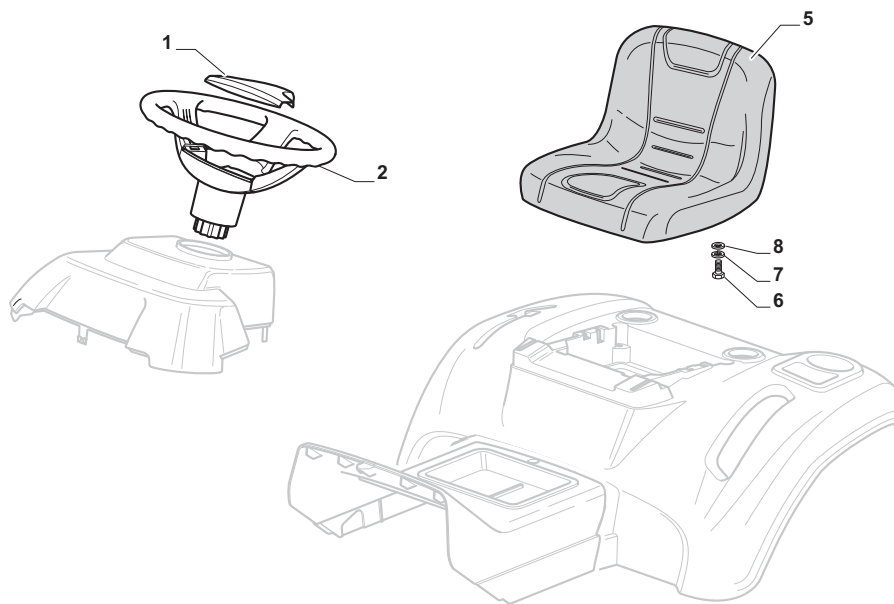
POS	CODE	Q.TY	DESCRIZIONE	DESCRIPTION	DESCRIPTION	BESCHREIBUNG
1	182040183/0	1	Cablaggio	Cables Ass.Y	Ens. Cablages	Kabelsatz
2	125722437/0	1	Scheda Elettronica	Electronic Card	Carte Electronique	Elektronische Karte
3	112735101/0	3	Vite	Screw	Vis	Schraube
4	118450075/0	1	Interruttore Avviam.	Starting Switch	Interrupteur Demarr.	Schalter
5	325600090/0	1	Protezione Scheda	Card Protection	Protection De Carte	Karteschutz
6	118210023/0	1	Chiave Avviamento	Starting Key	Clef A Demarrage	Schlüssel Für Start
7	18120002/1	1	Batteria	Battery	Batterie	Batterie
8	125430265/0	1	Molla	Spring	Ressort	Feder
15	33215000/0	2	Coperchio	Cover	Couvercle	Deckel
16	33340040/0	1	Fusibile 10A	Fuse 10A	Fusible 10A	Sicherung 10A
16	33340036/0	1	Fusibile 25 A	Fuse 25 A	Fusible 25 A	Sicherung 25 A
17	33500007/0	2	Portafusibile	Fuse Carrier	Tableau De Fusible	Sicherunghalter
18	118450074/0	1	Interruttore Frizione	Clutch Switch	Interrupteur Embrajage	Kupplung Schalter
19	119410613/0	3	Micro Interruttore	Micro	Micro	Mikro
20	182040186/0	1	Cavo Fari	Cable	Cables	Kabel
21	18459100/0	2	Lampada	Farilamp For Lights	Lampe Pour Phares	Lampenfassun
22	119410605/1	1	Micro Sacco Pieno	Full Grasscatc. Micro	Micro Bac Plein	Vollkorb Vorrichtung
25	182180090/0	1	Carica Batterie	Battery Charger	Chargeur De Batteries	Batterieladegerät
25	182180091/0	1	Carica Batterie (U.K.)	Battery Charger (U.K.)	Chargeur De Batteries (U.K.)	Batterieladegerät (U.K.)



POS	CODE	Q.TY	DESCRIZIONE	DESCRIPTION	DESCRIPTION	BESCHREIBUNG
1	114361553/1	1	Etichetta	Label	Etiquette	Klebzettel
3	114363699/0	1	Etichetta	Label	Etiquette	Klebzettel
4	14361438/0	1	Etichetta	Label	Etiquette	Klebzettel
5	114363701/0	1	Etichetta	Label	Etiquette	Klebzettel
6	114363700/0	1	Etichetta	Label	Etiquette	Klebzettel
8	114356699/1	1	Etichetta	Label	Etiquette	Klebzettel

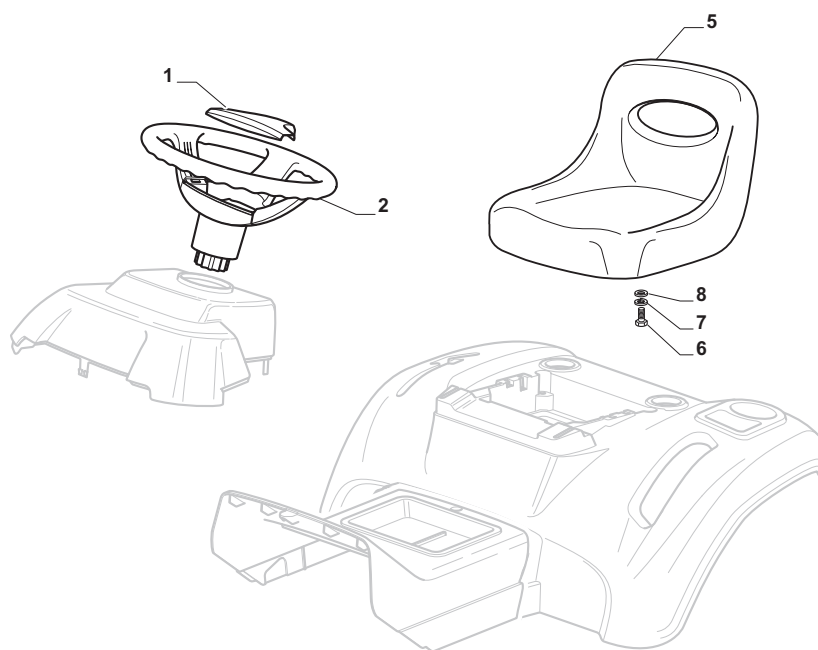


POS	CODE	Q.TY	DESCRIZIONE	DESCRIPTION	DESCRIPTION	BESCHREIBUNG
1A	325580503/0	1	Placca Volante	Steering Plate	Plaque Volant	Lenkradplatte
1B	325580504/0	1	Placca Volante	Steering Plate	Plaque Volant	Lenkradplatte
2	325961219/0	1	Volante	Steering Wheel	Volant	Lenkrad
5	25722463/0	1	Sedile	Seat	Siege	Sitz
6	12792611/0	4	Vite	Screw	Vis	Schraube
7	12540260/0	4	Rondella	Washer	Rondelle	Scheibe
8	12523060/0	4	Rondella	Washer	Rondelle	Scheibe

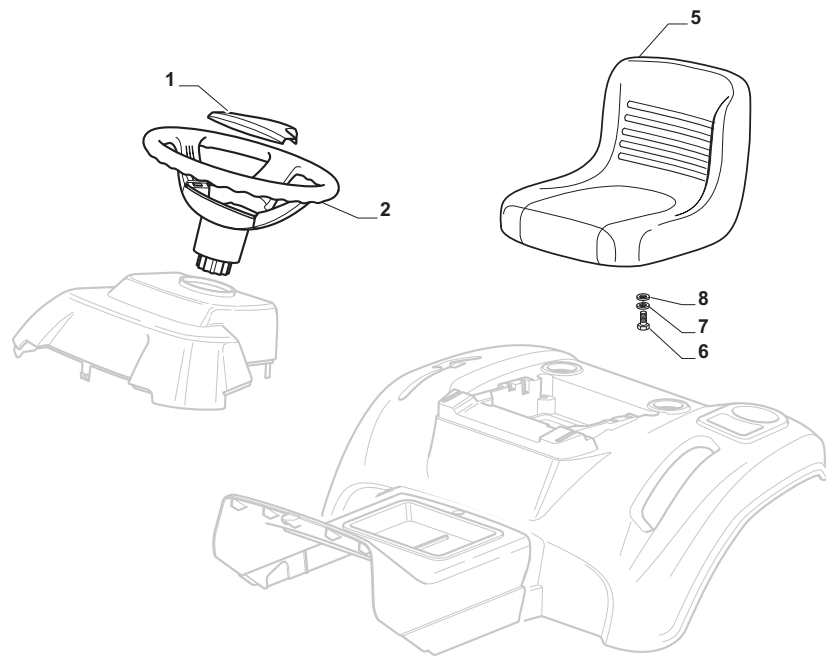




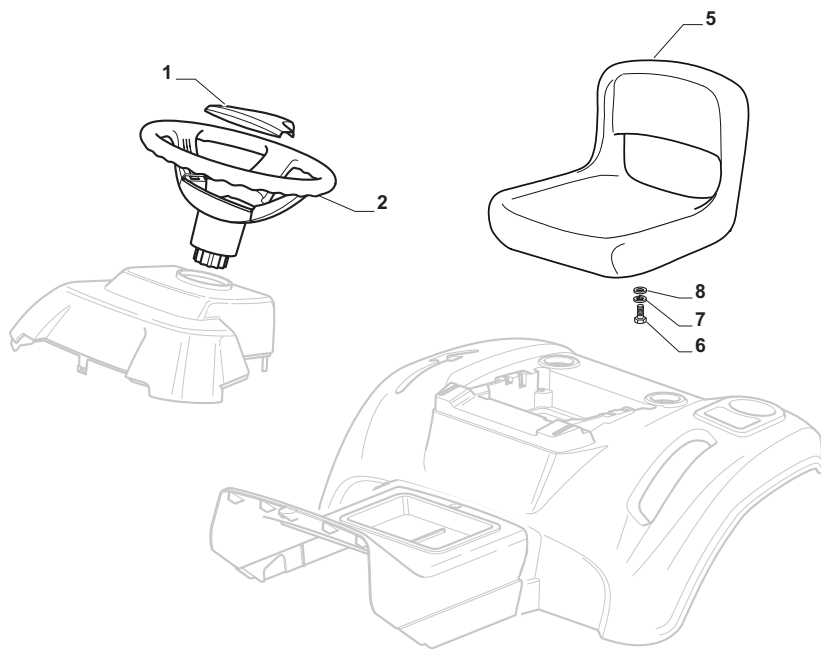
POS	CODE	Q.TY	DESCRIZIONE	DESCRIPTION	DESCRIPTION	BESCHREIBUNG
1A	325580503/0	1	Placca Volante	Steering Plate	Plaque Volant	Lenkradplatte
1B	325580504/0	1	Placca Volante	Steering Plate	Plaque Volant	Lenkradplatte
2	325961219/0	1	Volante	Steering Wheel	Volant	Lenkrad
5	125722472/0	1	Sedile	Seat	Siege	Sitz
6	12792611/0	4	Vite	Screw	Vis	Schraube
7	12540260/0	4	Rondella	Washer	Rondelle	Scheibe
8	12523060/0	4	Rondella	Washer	Rondelle	Scheibe



POS	CODE	Q.TY	DESCRIZIONE	DESCRIPTION	DESCRIPTION	BESCHREIBUNG
1A	325580503/0	1	Placca Volante	Steering Plate	Plaque Volant	Lenkradplatte
1B	325580504/0	1	Placca Volante	Steering Plate	Plaque Volant	Lenkradplatte
2	325961219/0	1	Volante	Steering Wheel	Volant	Lenkrad
5	125722453/1	1	Sedile	Seat	Siege	Sitz
6	12792611/0	4	Vite	Screw	Vis	Schraube
7	12540260/0	4	Rondella	Washer	Rondelle	Scheibe
8	12523060/0	4	Rondella	Washer	Rondelle	Scheibe



POS	CODE	Q.TY	DESCRIZIONE	DESCRIPTION	DESCRIPTION	BESCHREIBUNG
1A	325580503/0	1	Placca Volante	Steering Plate	Plaque Volant	Lenkradplatte
1B	325580504/0	1	Placca Volante	Steering Plate	Plaque Volant	Lenkradplatte
2	325961219/0	1	Volante	Steering Wheel	Volant	Lenkrad
5	125722471/0	1	Sedile	Seat	Siege	Sitz
6	12792611/0	4	Vite	Screw	Vis	Schraube
7	12540260/0	4	Rondella	Washer	Rondelle	Scheibe
8	12523060/0	4	Rondella	Washer	Rondelle	Scheibe



POS	CODE	Q.TY	DESCRIZIONE	DESCRIPTION	DESCRIPTION	BESCHREIBUNG
1	325580504/0	1	Placca Volante	Steering Plate	Plaque Volant	Lenkradplatte
2	325961219/0	1	Volante	Steering Wheel	Volant	Lenkrad
5	125722456/0	1	Sedile	Seat	Siege	Sitz
6	12792611/0	4	Vite	Screw	Vis	Schraube
7	12540260/0	4	Rondella	Washer	Rondelle	Scheibe
8	12523060/0	4	Rondella	Washer	Rondelle	Scheibe