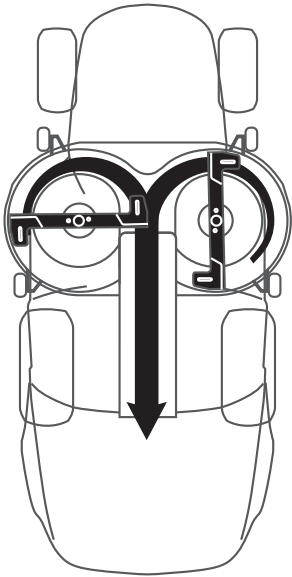
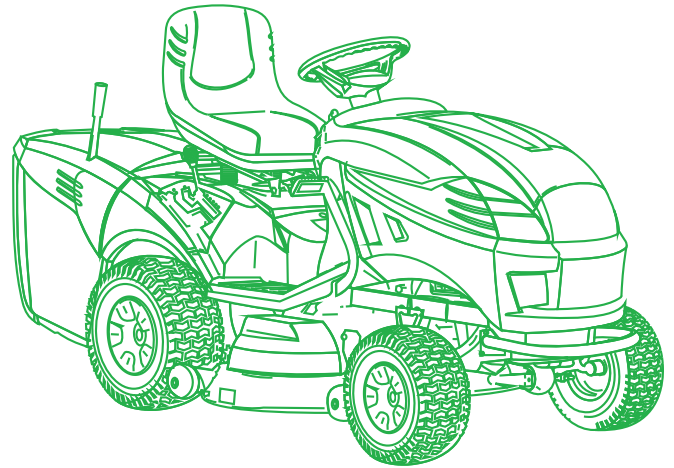


Genuine Spare Parts



102

122



Catalogo delle parti di ricambio
Spare parts catalogue
Catalogue des pieces de rechange
Ersatzteilkatalog

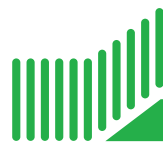
2011

- Use GLOBAL GARDEN PRODUCT Genuine Spare Parts specified in the parts list for repair and/or replacement.
- The contents described in the parts list may change due to improvement.
- The drawings of the spare parts are only indicative and might not represent the part in question exactly.
- The indications "right" - "left" - "front" - "rear" refer to the position of the operator when using the machine.
- When placing orders of parts for repair and/or replacement, make sure that the illustrated parts list is the one applying to the machine's year of manufacture, as shown on the identification plate attached to the machine.

© Copyright 2011 Global Garden Products

All content is subject to copyright by Global Garden Products and may not be reproduced in whole or in part by any means, electronic or otherwise, without prior written approval.

THIS INFORMATION IS NOT INTENDED FOR SALE OR RESALE, AND THIS NOTICE MUST REMAIN ON ALL COPIES.



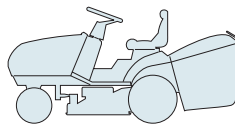
GLOBAL GARDEN PRODUCTS

T..102 hydro

T..122 hydro

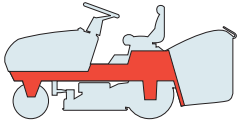
CATALOGO DELLE PARTI DI RICAMBIO
SPARE PARTS CATALOGUE
CATALOGUE DES PIECES DE RECHANGE
ERSATZTEILKATALOG

2011



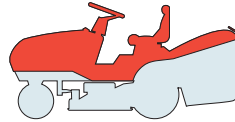
TELAIO
CHASSIS
CHASSIS
RAHMENSATZ

↪ [6001](#)



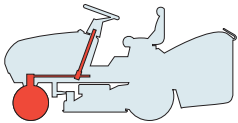
CARROZZERIA
BODY
CARROSSERIE
KARROSSERIE

- TCP ↪ [6002a](#)
- TCR ↪ [6002b](#)
- TCB ↪ [6002c](#)
- TCX ↪ [6002d](#)
- TCS ↪ [6002e](#)
- TX ↪ [6002f](#)
- TS ↪ [6002g](#)
- TCU ↪ [6002h](#)



STERZO
STEERING
BARRE DE DIRECTION
LENKGETRIEBE

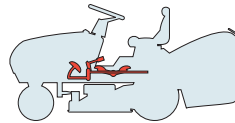
↪ [6003](#)



COMANDO TRASMISSIONE E FRENO
DRIVE AND BRAKE CONTROLS
COMMANDE TRANSMISSION ET FREIN
GETRIEBE UND BREMSE ANTRIEB

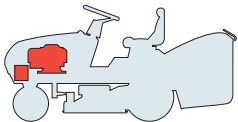
102 hydro / 122 hydro . ↪ [6004Y](#)

102 hydro / 122 hydro
 (Cruise Control) ↪ [6004Ya](#)



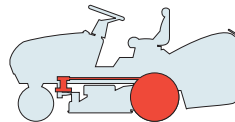
MOTORE
ENGINE
MOTEUR
MOTOR

- B&S 10,5-11,5-12,5-13,5 HP ↪ [6005](#)
- 15,5-16,5-17,5-18,5 HP ↪ [6005a](#)
- 20 - 22 - 24 HP ↪ [6005b](#)
- GGP ENGINE 13,5-14-14,5-16 HP ↪ [6005e](#)
- HONDA GCV 530 ↪ [6005f](#)
- GXV 660 ↪ [6005g](#)
- KOHLER 16 - 18 HP ↪ [6005h](#)



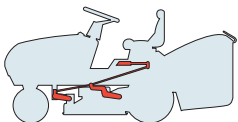
TRASMISSIONE
TRANSMISSION
TRANSMISSION
GETRIEBE

↪ [6006Y](#)



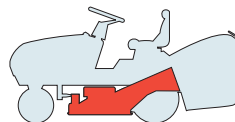
SOLLEVAMENTO PIATTO DI TAGLIO
CUTTING PLATE LIFTING
SOULEVEMENT PLATEAU DE COUPE
SCHNEIDWERKZEUG AUFHEBESATZ

↪ [6007](#)



PIATTO DI TAGLIO (1)
CUTTING PLATE (1)
PLATEAU DE COUPE (1)
SCHNEIDWERKZEUG (1)

↪ [6008](#)

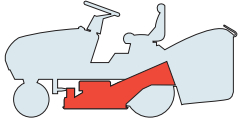




PIATTO DI TAGLIO (2)
CUTTING PLATE (2)
PLATEAU DE COUPE (2)
SCHNEIDWERKZEUG (2)

102 / 102 hydro ➔ [6009](#)

122 hydro ➔ [6009a](#)

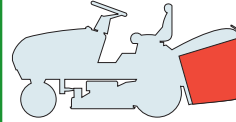


SACCO
GRASSCATCHER
BAC
AUFFANGSACK

TC - TCP - TCR

TCB - TCX - TCS - TCU ➔ [6010](#)

TX - TS ➔ [6010a](#)



PARTI ELETTRICHE
ELECTRICAL PARTS
PARTIES ELECTRIQUES
ELETRISCHE TEILE

TC - TCP - TCR - TCB - TCX - TCS - TCU

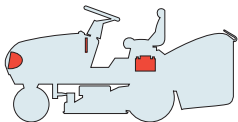
B&S - KOHLER - GGP . ➔ [6011](#)

HONDA..... ➔ [6011a](#)

TX - TS

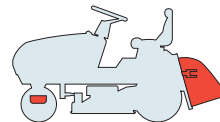
B&S - KOHLER - GGP . ➔ [6011b](#)

HONDA..... ➔ [6011c](#)



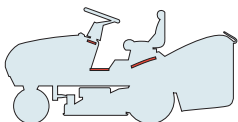
ACCESSORI A RICHIESTA
OPTIONALS ON REQUEST
ACCESSOIRES SUR DEMANDE
ZUBEHOERE NACH ANFRAGE

➔ [6012](#)



ETICHETTE
LABELS
ETIQUETTES
KLEBZETTEL

➔ [6013](#)

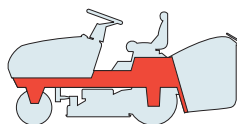


T..

CP CR CB CX CS X S CU

102 hydro

122 hydro

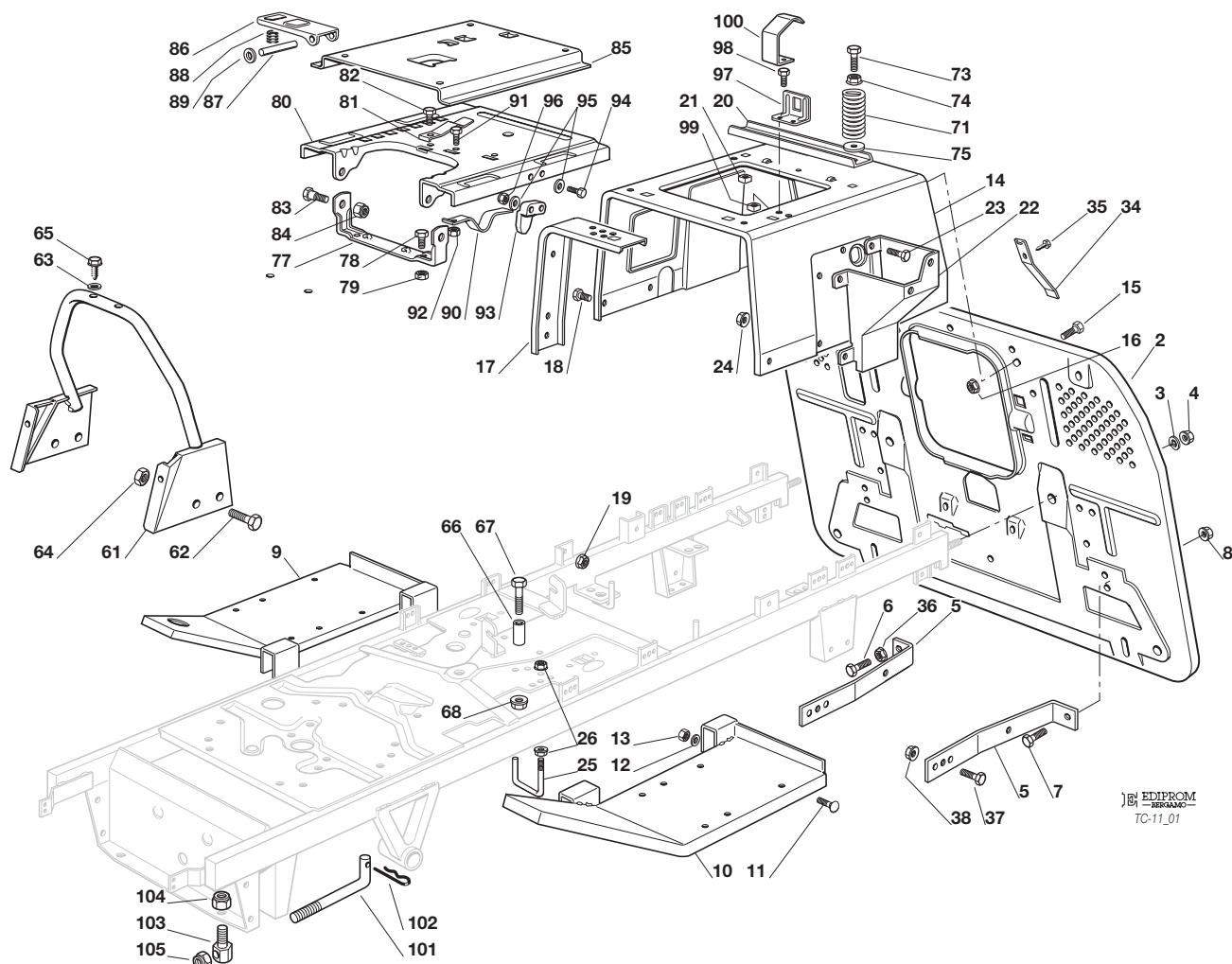


TELAIO
CHASSIS
CHASSIS
RAHMENSATZ

2011

6001.0

1 / 2



EDIPROM
TC-11_01

N.	CODE	Q.TY	DESCRIZIONE	DESCRIPTION	DESCRIPTION	BESCHREIBUNG
3	12585100/0	2	Grower	Grower	Grower	Grower
4	12295200/0	2	Dado	Nut	Ecrou	Mutter
5	25774273/1	2	Rinforzo	Stiffening	Renforcement	Verstaerkung
6	12691100/0	1	Vite	Screw	Vis	Schraube
7	12793102/0	3	Vite	Screw	Vis	Schraube
8	12293201/0	4	Dado	Nut	Ecrou	Mutter
9	382510041/2	1	Supporto Pedana Destro	Right Footboard Support	Support Marchepied Droite	Rechte Fussbretthalter
10	382510043/2	1	Supporto Pedana Sinistro	Left Footboard Support	Support Marchepied Gauche	Linke Fussbretthalter
11	12815245/0	4	Vite	Screw	Vis	Schraube
12	12523040/0	4	Rosetta	Washer	Rondelle	Scheibe
13	12154510/0	4	Dado	Nut	Ecrou	Mutter
14	325785133/4	1	Supporto Sedile	Seat Support	Support Siege	Sitzhalter
15	12791011/0	5	Vite	Screw	Vis	Schraube
16	12292102/0	5	Dado	Nut	Ecrou	Mutter
17	25650065/0	2	Rinforzo	Stiffening	Renforcement	Verstaerkung
18	12791011/0	6	Vite	Screw	Vis	Schraube
19	12292102/0	6	Dado	Nut	Ecrou	Mutter
20	25650067/0	1	Rinforzo	Stiffening	Renforcement	Verstaerkung
21	12360420/0	2	Dado	Nut	Ecrou	Mutter
22	325785137/1	1	Supporto	Support	Support	Halter
23	12791011/0	4	Vite	Screw	Vis	Schraube
24	12292102/0	4	Dado	Nut	Ecrou	Mutter
25	25580019/0	1	Piolo Guidacinghia	Belt Guide	Guide De Courroie	Riemenfuhrung
26	12292102/0	2	Dado	Nut	Ecrou	Mutter
34	25430238/0	1	Molla	Spring	Ressort	Feder
35	12731580/0	1	Vite	Screw	Vis	Schraube
36	12293200/0	1	Dado	Nut	Ecrou	Mutter
37	12793102/0	2	Vite	Screw	Vis	Schraube
38	12293201/0	2	Dado	Nut	Ecrou	Mutter





N.	CODE	Q.TY	DESCRIZIONE	DESCRIPTION	DESCRIPTION	BESCHREIBUNG
61	382650045/0	1	Telaio Centrale	Chassis	Chassis	Rahmensatz
62	12792611/0	4	Vite	Screw	Vis	Schraube
63	12521330/0	2	Rosetta	Washer	Rondelle	Scheibe
64	12292102/0	4	Dado	Nut	Ecrou	Mutter
65	12731350/0	2	Vite	Screw	Vis	Schraube
66	22167840/0	1	Distanziale (Ruote 15")	Spacer (Wheels 15")	Entretoise (Roues 15")	Entfernungsstück (Räder 15")
67	12691200/0	1	Vite (Ruote 15")	Screw (Wheels 15")	Vis (Roues 15")	Schraube (Räder 15")
68	12293201/0	1	Dado (Ruote 15")	Nut (Wheels 15")	Ecrou (Roues 15")	Mutter (Räder 15")
71	25430205/1	2	Molla	Spring	Ressort	Feder
71	125430257/1	2	Molla (Tx - Ts)	Spring (Tx - Ts)	Ressort (Tx - Ts)	Feder (Tx - Ts)
73	25943001/0	2	Vite	Screw	Vis	Schraube
74	12293201/0	2	Dado	Nut	Ecrou	Mutter
75	12523070/0	2	Rosetta	Washer	Rondelle	Scheibe
77	82774207/0	1	Staffa Supp. Sedile	Seat Clamp Support	Etrier Support Siege	Bride F. Sitzhalter
78	12792611/0	2	Vite	Screw	Vis	Schraube
79	12293201/0	2	Dado	Nut	Ecrou	Mutter
80	25785149/2	1	Supp. Sedile Fisso	Fixed Seat Supp.	Support Siege Fixe	Fest Sitzhalter
81	25430203/0	1	Molla Arresto	Spring	Ressort D'Arret	Rastfeder
82	12731580/0	1	Vite	Screw	Vis	Schraube
83	22524970/2	2	Perno	Pin	Pivot	Bolzen
84	12155010/0	2	Dado	Nut	Ecrou	Mutter
85	325785147/1	1	Supporto Sedile	Seat Support	Support Siege	Sitzhalter
86	325318109/1	1	Leva Arresto	Stop Lever	Levier D'Arret	Abstellhebel
87	25510000/0	1	Perno	Pin	Pivot	Bolzen
88	125430202/1	1	Molla	Spring	Ressort	Feder
89	12604897/0	2	Rondella	Washer	Rondelle	Scheibe
90	25430223/2	1	Molla	Spring	Ressort	Feder
91	12789000/0	1	Vite	Screw	Vis	Schraube
92	12154330/0	1	Dado	Nut	Ecrou	Mutter
93	25060033/0	1	Camma	Cam	Came	Nocken
94	12815050/0	2	Vite	Screw	Vis	Schraube
95	12521320/0	4	Rondella	Washer	Rondelle	Scheibe
96	12154330/0	2	Dado	Nut	Ecrou	Mutter
97	25755025/1	1	Squadretta	Bracket	Equerre-Support	Winkel
98	12735110/0	2	Vite	Screw	Vis	Schraube
99	12437502/0	2	Dado	Nut	Ecrou	Mutter
100	25430255/0	1	Molla	Spring	Ressort	Feder
101	125510119/0	2	Tirante	Tie Rod	Tirant	Spannstange
102	24487997/0	2	Coppiglia	Cotter Pin	Goupille	Splint
103	25510040/1	2	Perno	Pin	Pivot	Bolzen
104	12155000/0	2	Dado	Nut	Ecrou	Mutter
105	12155000/0	2	Dado	Nut	Ecrou	Mutter

Modelli con sollevamento manuale:**Models with manual tipping:****Modèles avec renversement manuelle:****Modellen mit Handbedienung:**

2	382547051/0	1	Piastra	Plate	Plaque	Platte
---	-------------	---	---------	-------	--------	--------

Modelli con sollevamento elettrico:**Models with electric tipping:****Modèles avec renversement électrique:****Modellen mit elektrischer Bedienung:**

2	382547053/0	1	Piastra	Plate	Plaque	Platte
---	-------------	---	---------	-------	--------	--------

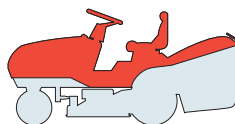


T..

CP CR CB CX CS X S CU

102 hydro

122 hydro



CARROZZERIA

BODY

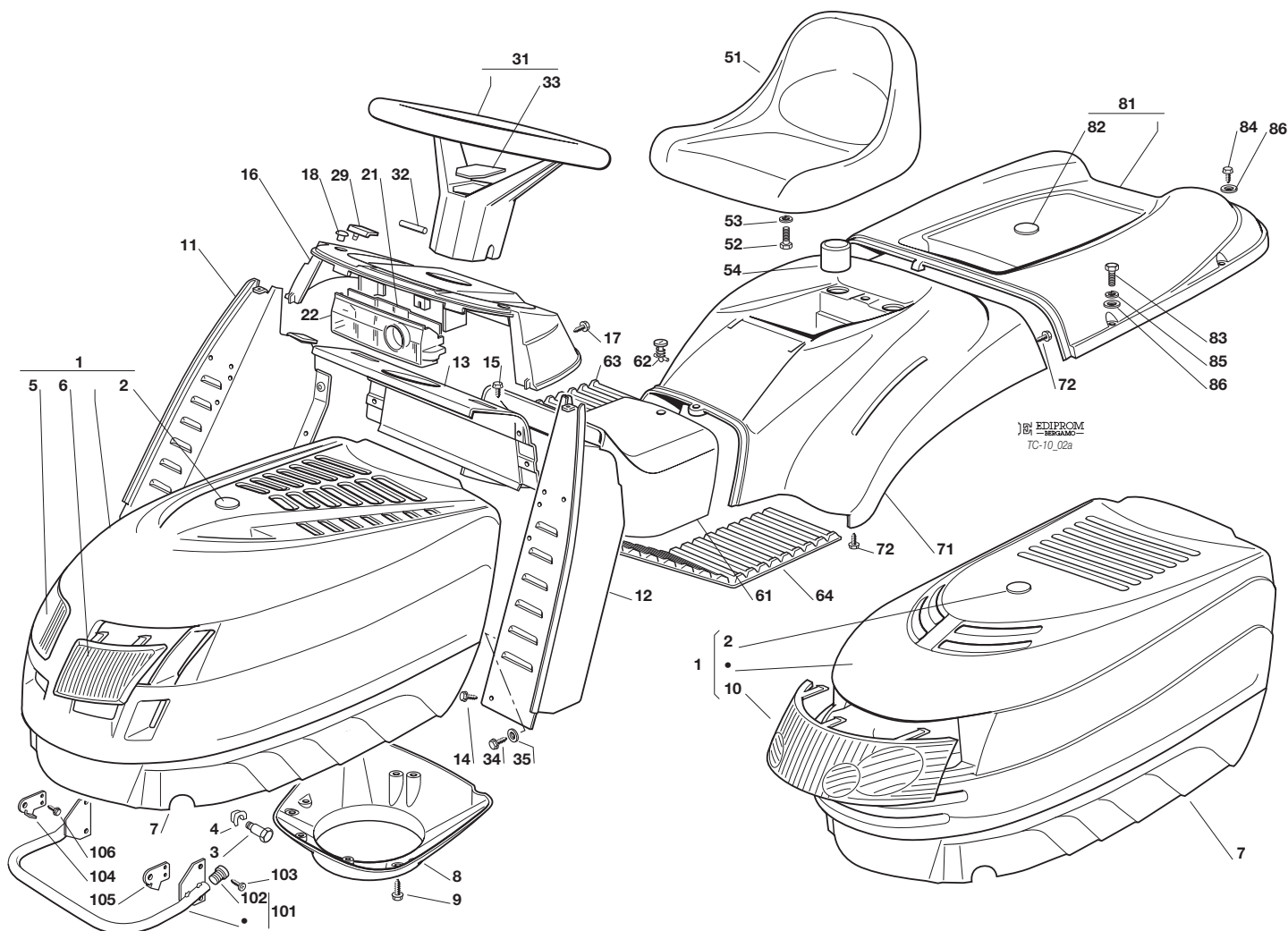
CARROSSERIE

KARROSSERIE

2011

6002a.0

1 / 2

EDIPROM
SERRAVALLO
TC-10_02a

N.	CODE	Q.TY	DESCRIZIONE	DESCRIPTION	DESCRIPTION	BESCHREIBUNG
3	25510023/1	2	Perno	Pin	Pivot	Bolzen
4	112436050/1	2	Piastrina	Plate	Plaque	Platte
7	25076808/0	1	Cofano Inferiore	Lower Engine Hood	Capot Inferieure	Unterhaubesatz
8	25108024/0	1	Separatore Aspiraz. (76)	Intake Separator (76)	Separateur Aspirat. (76)	Augenabscheider (76)
8	25108028/0	1	Separat. Aspiraz. (128469)	Intake Separator (128469)	Separateur Aspir. (128469)	Augenabscheider (128469)
9	12728686/0	3	Vite	Screw	Vis	Schraube
11	382785022/8	1	Supp. Cruscotto Destro	Right Dashboard Supp.	Support Tableau Droite	Rechter Konsolehalter
12	382785021/7	1	Supp. Cruscotto Sin.	Left Dashboard Supp.	Support Tableau Gauche	Linker Konsolehalter
13	82785137/0	1	Supp. Cruscotto Centr.	Central Dashboard Supp.	Support Tableau Centr.	Zentr. Konsole Halter
14	12735110/0	2	Vite	Screw	Vis	Schraube
15	12735110/0	4	Vite	Screw	Vis	Schraube
16	25120171/1	1	Cruscotto	Dashboard	Tableau De Bord	Konsole
17	12728440/0	4	Vite	Screw	Vis	Schraube
18	25120200/0	2	Tappo	Plug	Bouchon	Propfen
21	25600009/0	1	Protezione Scheda	Card Protection	Protection De Carte	Karteschutz
22	25600051/0	1	Protezione Scheda	Card Protection	Protection De Carte	Karteschutz
23	25735110/3	1	Serbatoio	Tank	Reservoir	Tank
31	25961213/0	1	Volante	Steering Wheel	Volant	Lenkrad
32	12620299/0	1	Spina	Pin	Goupille	Stift
33	25120231/0	1	Tappo	Cap	Bouchon	Stopfen
34	12731350/0	2	Vite	Screw	Vis	Schraube
35	12521330/0	2	Rondella	Washer	Rondelle	Scheibe
51	25722451/2	1	Sedile	Seat	Siege	Sitz
52	12793102/0	4	Vite	Screw	Vis	Schraube
53	12583500/0	4	Grower	Grower	Grower	Grower
54	25122000/2	2	Cuffia	Hood	Protecteur	Schutzkasten
61	█	1	Copertura Centrale	Cover	Couvre	Kappe
61	25110136/1	1	Rosso	Red	Rouge	Rot
61	25110135/0	1	Verde	Green	Vert	Grün
61	25110132/0	1	Blu	Blue	Bleu	Blau
61	25110355/0	1	Grigio	Grey	Gris	Grau





N.	CODE	Q.TY	DESCRIZIONE	DESCRIPTION	DESCRIPTION	BESCHREIBUNG
61	☛	1	Copertura Centr. (Hydro)	Cover (Hydro)	Couvre (Hydro)	Kappe (Hydro)
61	25110239/1	1	Rosso	Red	Rouge	Rot
61	25110240/0	1	Verde	Green	Vert	Grün
61	25110242/0	1	Blu	Blue	Bleu	Blau
61	25110356/0	1	Grigio	Grey	Gris	Grau
62	125580020/2	1	Perno	Pivot	Goujon	Stift
63	25110270/0	1	Copripedana Destra	Right Footboardcover	Couvre Marchepied Dro.	Rechte Fussbrettdeckel
64	25110260/2	1	Copripedana Sinistra	Left Footboard Cover	Couvre Marchepied Gau.	Linke Fussbrettdeckel
71	☛	1	Copertura Ruote	Wheels Cover	Couvre-Roues	Radenkappe
71	25109703/1	1	Rosso	Red	Rouge	Rot
71	25109707/0	1	Verde	Green	Vert	Grün
71	25109720/0	1	Blu	Blue	Bleu	Blau
71	☛	1	Copertura Ruote (Hydro)	Wheels Cover (Hydro)	Couvre-Roues (Hydro)	Radenkappe (Hydro)
71	25109701/1	1	Rosso	Red	Rouge	Rot
71	25109705/0	1	Verde	Green	Vert	Grün
71	25109709/0	1	Blu	Blue	Bleu	Blau
71	25109764/0	1	Grigio	Grey	Gris	Grau
72	12735402/0	4	Vite	Screw	Vis	Schraube
81	☛	1	Copertura Sacco	Grass-Catcher Cover	Couvre-Bac	Sackkappe
81	82110200/1	1	Rosso	Red	Rouge	Rot
81	82110201/0	1	Verde	Green	Vert	Grün
81	82110203/0	1	Blu	Blue	Bleu	Blau
81	82110272/0	1	Grigio	Grey	Gris	Grau
82	☛	1	Piastrina	Plate	Plaque	Platte
82	25547025/1	1	Rossa	Red	Rouge	Rot
82	25547026/0	1	Verde	Green	Vert	Grün
82	25547028/0	1	Blu	Blue	Bleu	Blau
82	25547183/0	1	Grigio	Grey	Gris	Grau
83	12674701/0	2	Vite	Screw	Vis	Schraube
84	12729601/1	4	Vite	Screw	Vis	Schraube
85	12582101/0	2	Grower	Grower	Grower	Grower
86	12521331/0	6	Rondella	Washer	Rondelle	Scheibe
101	82869006/1	1	Protezione Silenziatore	Muffler Protection	Protection Silencieux	Auspuffschutz
102	18566110/0	2	Puntale	Cap	Bouchon	Pfropfen
103	12734995/0	4	Vite	Screw	Vis	Schraube
104	325547089/1	1	Piastrina Destra	Right Plate	Plaque Droite	Rechte Platte
105	325547091/1	1	Piastrina Sinistra	Left Plate	Plaque Gauche	Linke Platte
106	12731580/0	4	Vite	Screw	Vis	Schraube

Cofano con 1 faro:**Engine hood with 1 light:****Capote avec 1 phare:****Oberhaubesatz mit 1 Scheinwerfer:**

1	82076943/0	1	Cofano Superiore Grigio	Upper Engine Hood Grey	Capot Superieure Gris	Oberhaubesatz Grau
2	25547183/0	1	Piastrina Grigio	Plate Grey	Plaque Gris	Platte Grau
10	25410859/0	1	Mascherina	Grill	Panneau	Schutz

Cofano con 2 fari:**Engine hood with 2 lights:****Capote avec 2 phares:****Oberhaubesatz mit 2 Scheinwerfer:**

1	☛	1	Cofano Superiore	Upper Engine Hood	Capot Superieure	Oberhaubesatz
1	82076841/3	1	Rosso	Red	Rouge	Rot
1	82076843/2	1	Verde	Green	Vert	Grün
1	82076847/2	1	Blu	Blue	Bleu	Blau
2	☛	1	Piastrina	Plate	Plaque	Platte
2	25547025/1	1	Rossa	Red	Rouge	Rot
2	25547026/0	1	Verde	Green	Vert	Grün
2	25547028/0	1	Blu	Blue	Bleu	Blau
5	25410860/0	1	Mascherina Destra	Right Grill	Panneau Droite	Rechter Schutz
6	25410861/0	1	Mascherina Sinistra	Left Grill	Panneau Gauche	Linker Schutz

Per motore / For engine / Pour moteur / Für Motor:

(☛) B&S 10,5 - 11,5 - 12,5 - 13,5 HP

(☛) B&S 15,5 HP

(☛) B&S 16,5 - 17,5 - 18,5 HP

(☛) B&S 20 - 22 - 24 HP

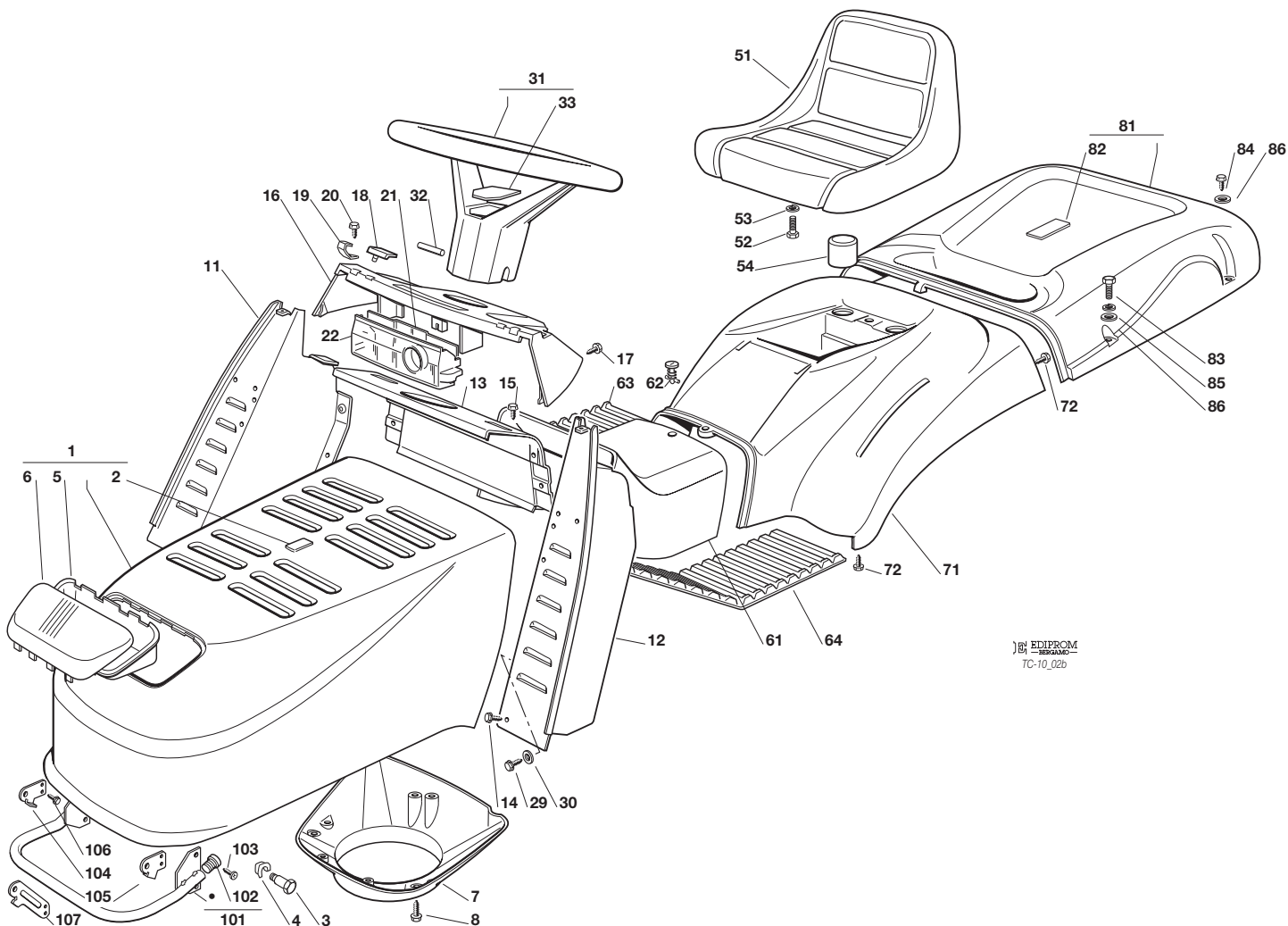
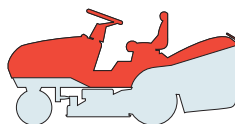
(☛) GGP ENGINE 13,5 - 14 - 14,5 - 16 HP

(☛) HONDA GCV 530

(☛) HONDA GXV 660

(☛) KOHLER 16 - 18 HP





EDIPROM
 TC-10_02b

N.	CODE	Q.TY	DESCRIZIONE	DESCRIPTION	DESCRIPTION	BESCHREIBUNG
1		1	Cofano Superiore	Upper Engine Hood	Capot Superieure	Oberhaubesatz
1	82076817/2	1	Rosso	Red	Rouge	Rot
1	82076818/1	1	Verde	Green	Vert	Grün
1	82076831/1	1	Blu	Blue	Bleu	Blau
2		1	Piastrina	Plate	Plaque	Platte
2	25547016/2	1	Rossa	Red	Rouge	Rot
2	25547015/0	1	Verde	Green	Vert	Grün
2	25547024/0	1	Blu	Blue	Bleu	Blau
3	25510039/0	2	Perno	Pin	Pivot	Bolzen
4	12436050/0	2	Piastrina	Plate	Plaque	Platte
5	25485001/0	1	Parabola Fari	Lights Parabola	Parabole	Scheinwerferparabel
6	25410865/0	1	Mascherina	Grill	Panneau	Schutz
7	25108024/0	1	Separatore Aspiraz. (87)	Intake Separator (87)	Separateur Aspirat. (87)	Augenabscheider (87)
7	25108028/0	1	Separat. Aspiraz. (1246)	Intake Separator (1246)	Separateur Aspir. (1246)	Augenabscheider (1246)
7	25108024/0	1	Separatore Aspiraz.	Intake Separator	Separateur Aspirat.	Augenabscheider
7	25108028/0	1	Separat. Aspiraz.	Intake Separator	Separateur Aspir.	Augenabscheider
8	12728686/0	3	Vite	Screw	Vis	Schraube
11	382785022/8	1	Supp. Cruscotto Destro	Right Dashboard Supp.	Support Tableau Droite	Rechter Konsolehalter
12	382785021/7	1	Supp. Cruscotto Sin.	Left Dashboard Supp.	Support Tableau Gauche	Linker Konsolehalter
13	82785137/0	1	Supp. Cruscotto Centr.	Central Dashboard Supp	Support Tableau Centr.	Zentr. Konsole Halter
14	12735110/0	2	Vite	Screw	Vis	Schraube
15	12735110/0	4	Vite	Screw	Vis	Schraube
16	25120152/1	1	Cruscotto	Dashboard	Tableau De Bord	Konsole
17	12728440/0	4	Vite	Screw	Vis	Schraube
18	25260000/0	2	Gommino	Grommet	Protection	Schutz
19	125430215/1	2	Molla Aggancio	Coupling Spring	Ressort Accrochage	Kupplungsfeder
20	12728440/0	2	Vite	Screw	Vis	Schraube
21	25600007/0	1	Protezione Scheda	Card Protection	Protection De Carte	Karteschutz
22	25600051/0	1	Protezione Scheda	Card Protection	Protection De Carte	Karteschutz
29	12731350/0	2	Vite	Screw	Vis	Schraube





N.	CODE	Q.TY	DESCRIZIONE	DESCRIPTION	DESCRIPTION	BESCHREIBUNG
30	12521330/0	2	Rondella	Washer	Rondelle	Scheibe
31	25961213/0	1	Volante	Steering Wheel	Volant	Lenkrad
32	12620299/0	1	Spina	Pin	Goupille	Stift
33	25120231/0	1	Tappo	Cap	Bouchon	Stopfen
51	25722450/1	1	Sedile	Seat	Siege	Sitz
52	12793102/0	4	Vite	Screw	Vis	Schraube
53	12583500/0	4	Grower	Grower	Grower	Grower
54	25122000/2	2	Cuffia	Hood	Protecteur	Schutzkasten
61	☛	1	Copertura Centrale	Cover	Couvre	Kappe
61	25110136/1	1	Rosso	Red	Rouge	Rot
61	25110135/0	1	Verde	Green	Vert	Grün
61	25110132/0	1	Blu	Blue	Bleu	Blau
61	☛	1	Copertura Centr. (Hydro)	Cover (Hydro)	Couvre (Hydro)	Kappe (Hydro)
61	25110239/1	1	Rosso	Red	Rouge	Rot
61	25110240/0	1	Verde	Green	Vert	Grün
61	25110242/0	1	Blu	Blue	Bleu	Blau
62	125580020/2	1	Perno	Pivot	Goujon	Stift
63	25110270/0	1	Copripedana Destra	Right Footboardcover	Couvre Marchepied Dro.	Rechte Fussbrettdeckel
64	25110260/2	1	Copripedana Sinistra	Left Footboard Cover	Couvre Marchepied Gau.	Linke Fussbrettdeckel
71	☛	1	Copertura Ruote	Wheels Cover	Couvre-Roues	Radenkappe
71	25109703/1	1	Rosso	Red	Rouge	Rot
71	25109707/0	1	Verde	Green	Vert	Grün
71	25109720/0	1	Blu	Blue	Bleu	Blau
71	☛	1	Copertura Ruote (Hydro)	Wheels Cover (Hydro)	Couvre-Roues (Hydro)	Radenkappe (Hydro)
71	25109701/1	1	Rosso	Red	Rouge	Rot
71	25109705/0	1	Verde	Green	Vert	Grün
71	25109709/0	1	Blu	Blue	Bleu	Blau
72	12735402/0	4	Vite	Screw	Vis	Schraube
81	☛	1	Copertura Sacco	Grass-Catcher Cover	Couvre-Bac	Sackkappe
81	82110207/1	1	Rosso	Red	Rouge	Rot
81	82110208/0	1	Verde	Green	Vert	Grün
81	82110210/0	1	Blu	Blue	Bleu	Blau
81	82110245/0	1	Nero	Black	Noir	Schwarz
82	☛	1	Piastrina	Plate	Plaque	Platte
82	25547016/2	1	Rossa	Red	Rouge	Rot
82	25547015/0	1	Verde	Green	Vert	Grün
82	25547024/0	1	Blu	Blue	Bleu	Blau
82	25547150/0	1	Nero	Black	Noir	Schwarz
83	12674701/0	2	Vite	Screw	Vis	Schraube
84	12729601/1	4	Vite	Screw	Vis	Schraube
85	12582101/0	2	Grower	Grower	Grower	Grower
86	12521331/0	6	Rondella	Washer	Rondelle	Scheibe
101	82869006/1	1	Protezione Silenziatore	Muffler Protection	Protection Silencieux	Auspuffschutz
101	82869015/0	1	Protezione Silenziatore 18 Hp B&S	Muffler Protection 18 Hp B&S	Protection Silencieux 18 Hp B&S	Auspuffschutz 18 Hp B&S
102	18566110/0	2	Puntale	Cap	Bouchon	Pfropfen
103	12734995/0	4	Vite	Screw	Vis	Schraube
104	325547089/1	1	Piastrina Destra	Right Plate	Plaque Droite	Rechte Platte
105	325547091/1	1	Piastrina Sinistra	Left Plate	Plaque Gauche	Linke Platte
106	12731580/0	4	Vite	Screw	Vis	Schraube
107	25547099/0	2	Piastrina 18 Hp B&S	Plate 18 Hp B&S	Plaque 18 Hp B&S	Platte 18 Hp B&S

Per motore / For engine / Pour moteur / Für Motor:

☛ B&S 10,5 - 11,5 - 12,5 - 13,5 HP

☛ B&S 15,5 HP

☛ B&S 16,5 - 17,5 - 18,5 HP

☛ B&S 20 - 22 - 24 HP

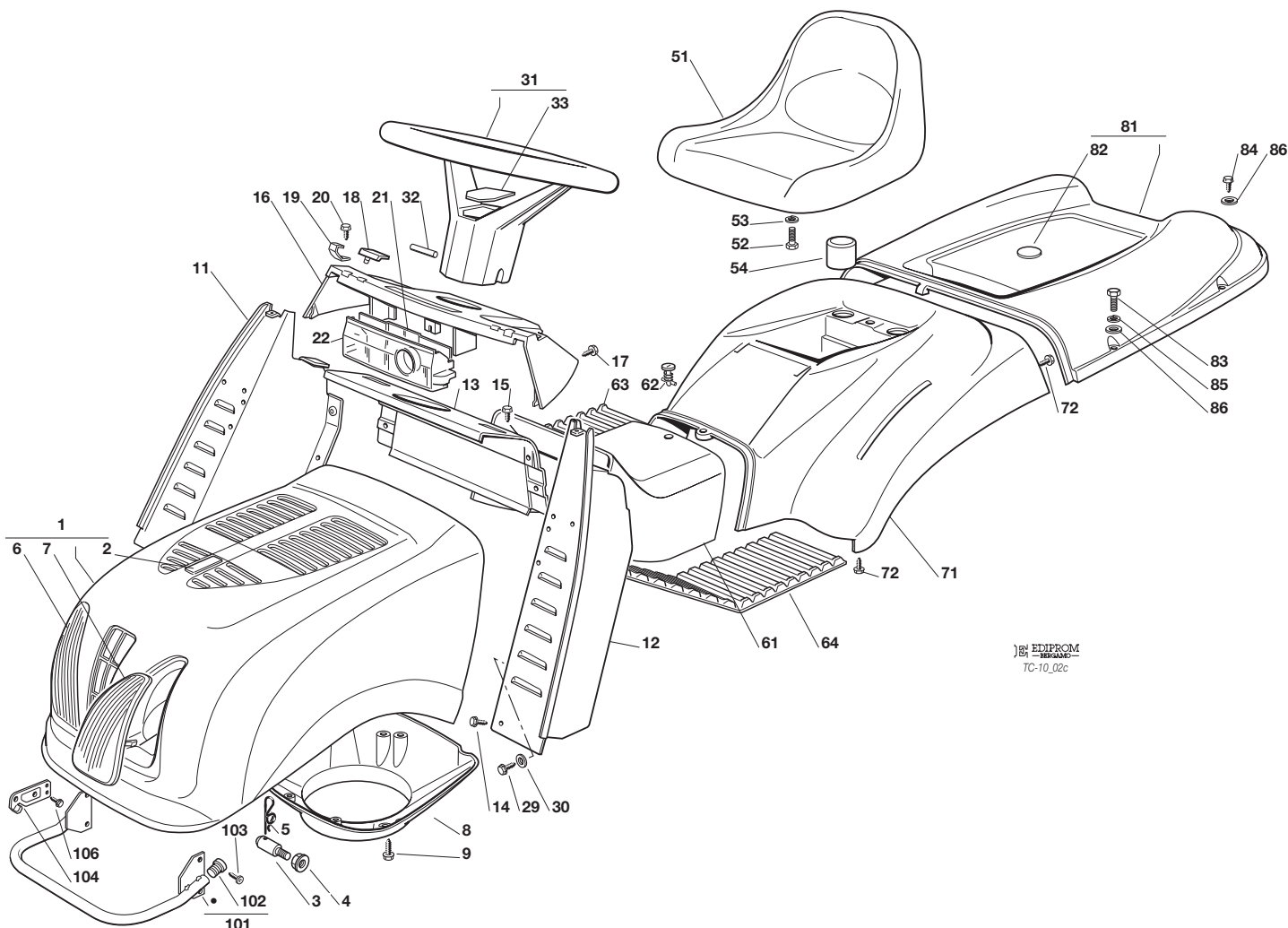
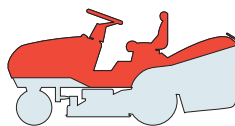
☛ GGP ENGINE 13,5 - 14 - 14,5 - 16 HP

☛ HONDA GCV 530

☛ HONDA GXV 660

☛ KOHLER 16 - 18 HP





EDIPROM
 TC-10_02c

N.	CODE	Q.TY	DESCRIZIONE	DESCRIPTION	DESCRIPTION	BESCHREIBUNG
1		1	Cofano Superiore	Upper Engine Hood	Capot Superieure	Oberhaubesatz
1	82076917/1		Rosso	Red	Rouge	Rot
1	82076918/0		Verde	Green	Vert	Grün
1	82076919/0		Blu	Blue	Bleu	Blau
2		1	Piastrina	Plate	Plaque	Platte
2	25547016/2		Rossa	Red	Rouge	Rot
2	25547015/0		Verde	Green	Vert	Grün
2	25547024/0		Blu	Blue	Bleu	Blau
3	25510068/0	2	Perno	Pin	Pivot	Bolzen
4	12293201/0	2	Dado	Nut	Ecrou	Mutter
5	24487998/0	1	Coppiglia	Cotter Pin	Goupille	Splint
6	25410869/0	1	Mascherina Sinistra	Left Grill	Panneau Gauche	Linke Schutz
7	25410868/0	1	Mascherina Destra	Right Grill	Panneau Droite	Rechte Schutz
8	25108024/0	1	Separatore Aspiraz. (78)	Intake Separator (78)	Separateur Aspirat. (78)	Augenabscheider (78)
8	25108028/0	1	Separat. Aspir. (128468)	Intake Separator (128468)	Separateur Aspir. (128468)	Augenabscheider (128468)
9	12728686/0	3	Vite	Screw	Vis	Schraube
11	382785022/8	1	Supp. Cruscotto Destro	Right Dashboard Supp.	Support Tableau Droite	Rechter Konsolehalter
12	382785021/7	1	Supp. Cruscotto Sin.	Left Dashboard Supp.	Support Tableau Gauche	Linker Konsolehalter
13	82785137/0	1	Supp. Cruscotto Centr.	Central Dashboard Supp	Support Tableau Centr.	Zentr. Konsole Halter
14	12735110/0	2	Vite	Screw	Vis	Schraube
15	12735110/0	4	Vite	Screw	Vis	Schraube
16	25120152/1	1	Cruscotto	Dashboard	Tableau De Bord	Konsole
17	12728440/0	4	Vite	Screw	Vis	Schraube
18	25260000/0	2	Gommino	Grommet	Protection	Schutz
19	125430215/1	2	Molla Aggancio	Coupling Spring	Ressort Accrochage	Kupplungsfeder
20	12728440/0	2	Vite	Screw	Vis	Schraube
21	25600007/0	1	Protezione Scheda	Card Protection	Protection De Carte	Karteschutz
22	25600051/0	1	Protezione Scheda	Card Protection	Protection De Carte	Karteschutz





N.	CODE	Q.TY	DESCRIZIONE	DESCRIPTION	DESCRIPTION	BESCHREIBUNG
29	12731350/0	2	Vite	Screw	Vis	Schraube
30	12521330/0	2	Rondella	Washer	Rondelle	Scheibe
31	25961213/0	1	Volante	Steering Wheel	Volant	Lenkrad
32	12620299/0	1	Spina	Pin	Goupille	Stift
33	25120231/0	1	Tappo	Cap	Bouchon	Stopfen
51	25722451/2	1	Sedile	Seat	Siege	Sitz
52	12793102/0	4	Vite	Screw	Vis	Schraube
53	12583500/0	4	Grower	Grower	Grower	Grower
54	25122000/2	2	Cuffia	Hood	Protecteur	Schutzkasten
61	☛	1	Copertura Centrale	Cover	Couvre	Kappe
61	25110136/1	1	Rosso	Red	Rouge	Rot
61	25110135/0	1	Verde	Green	Vert	Grün
61	25110132/0	1	Blu	Blue	Bleu	Blau
61	☛	1	Copertura Centr. (Hydro)	Cover (Hydro)	Couvre (Hydro)	Kappe (Hydro)
61	25110239/1	1	Rosso	Red	Rouge	Rot
61	25110240/0	1	Verde	Green	Vert	Grün
61	25110242/0	1	Blu	Blue	Bleu	Blau
62	125580020/2	1	Perno	Pivot	Goujon	Stift
63	25110270/0	1	Copripedana Destra	Right Footboardcover	Couvre Marchepied Dro.	Rechte Fussbrettdeckel
64	25110260/2	1	Copripedana Sinistra	Left Footboard Cover	Couvre Marchepied Gau.	Linke Fussbrettdeckel
71	☛	1	Copertura Ruote	Wheels Cover	Couvre-Roues	Radenkappe
71	25109703/1	1	Rosso	Red	Rouge	Rot
71	25109707/0	1	Verde	Green	Vert	Grün
71	25109720/0	1	Blu	Blue	Bleu	Blau
71	☛	1	Copertura Ruote (Hydro)	Wheels Cover (Hydro)	Couvre-Roues (Hydro)	Radenkappe (Hydro)
71	25109701/1	1	Rosso	Red	Rouge	Rot
71	25109705/0	1	Verde	Green	Vert	Grün
71	25109709/0	1	Blu	Blue	Bleu	Blau
72	12735402/0	4	Vite	Screw	Vis	Schraube
81	☛	1	Copertura Sacco	Grass-Catcher Cover	Couvre-Bac	Sackkappe
81	82110207/1	1	Rosso	Red	Rouge	Rot
81	82110208/0	1	Verde	Green	Vert	Grün
81	82110210/0	1	Blu	Blue	Bleu	Blau
82	☛	1	Piastrina	Plate	Plaque	Platte
82	25547016/2	1	Rossa	Red	Rouge	Rot
82	25547015/0	1	Verde	Green	Vert	Grün
82	25547024/0	1	Blu	Blue	Bleu	Blau
83	12674701/0	2	Vite	Screw	Vis	Schraube
84	12729601/1	4	Vite	Screw	Vis	Schraube
85	12582101/0	2	Grower	Grower	Grower	Grower
86	12521331/0	6	Rondella	Washer	Rondelle	Scheibe
101	82869006/1	1	Protezione Silenziatore	Muffler Protection	Protection Silencieux	Auspuffschutz
102	18566110/0	2	Puntale	Cap	Bouchon	Pfropfen
103	12734995/0	4	Vite	Screw	Vis	Schraube
104	325547109/2	2	Piastrina	Plate	Plaque	Platte
106	12731580/0	4	Vite	Screw	Vis	Schraube

Per motore / For engine / Pour moteur / Für Motor:

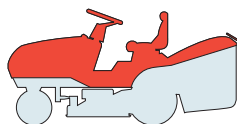
(1) B&S 10,5 - 11,5 - 12,5 - 13,5 HP**(2)** B&S 15,5 HP**(3)** B&S 16,5 - 17,5 - 18,5 HP**(4)** B&S 20 - 22 - 24 HP**(5)** GGP ENGINE 13,5 - 14 - 14,5 - 16 HP**(6)** HONDA GCV 530**(7)** HONDA GXV 660**(8)** KOHLER 16 - 18 HP

T..

CP CR CB CX CS X S CU

102 hydro

122 hydro



CARROZZERIA

BODY

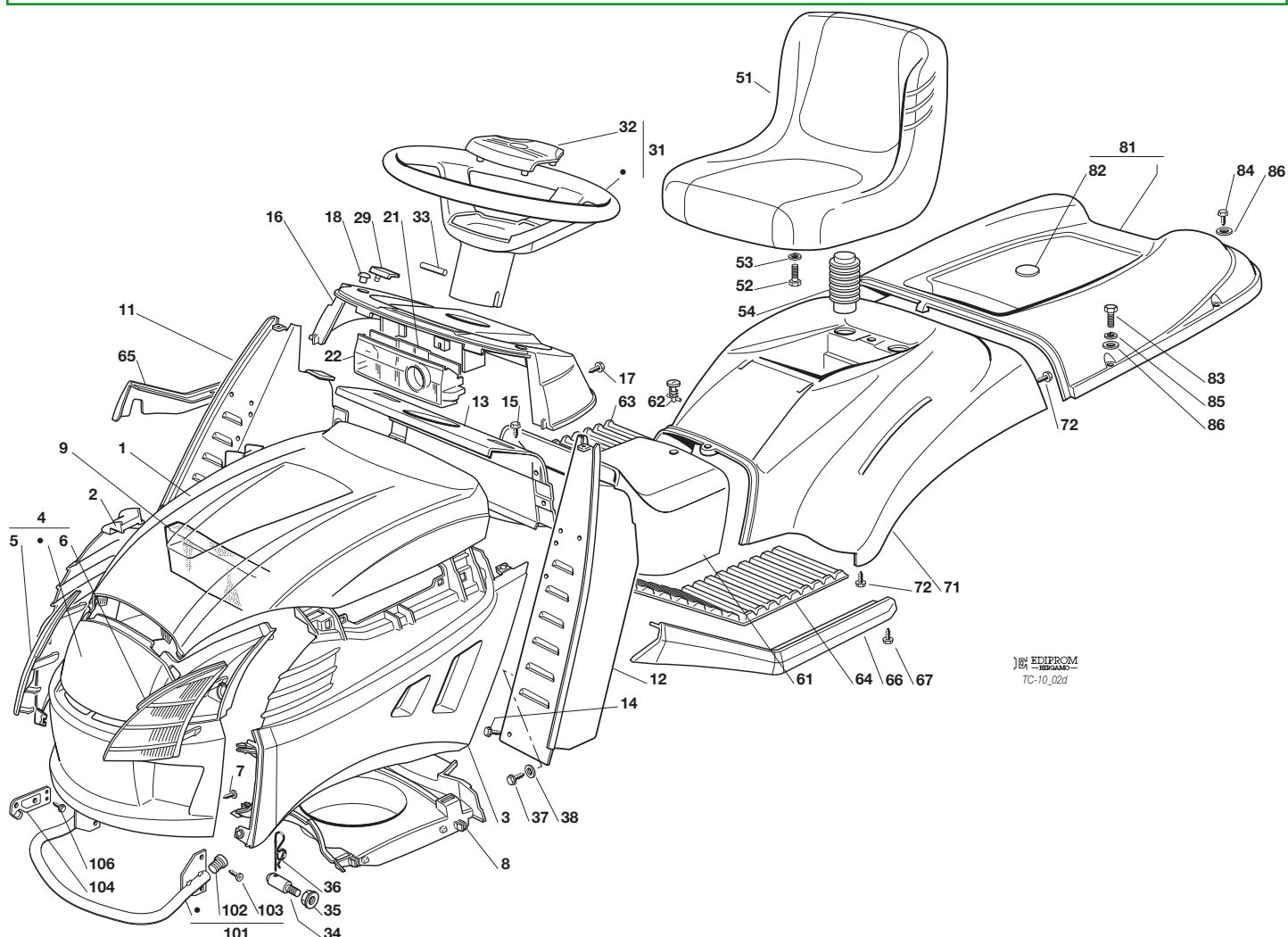
CARROSSERIE

KARROSSERIE

2011

6002d.0

1 / 2



N.	CODE	Q.TY	DESCRIZIONE	DESCRIPTION	DESCRIPTION	BESCHREIBUNG
1	25076858/0	1	Cofano Superiore	Upper Engine Hood	Capot Superieure	Oberhaubesatz
2	325207120/1	1	Cofano Dx	Hood, Right	Capot Droite	Rechte Haube
3	325207121/1	1	Cofano Sx	Hood, Left	Capot Gauche	Linke Haube
4	82394607/0	1	Cofano Frontale	Hood, Front	Capot Avant	Vorde Haube
5	25410874/0	1	Mascherina Destra	Right Grill	Panneau Droite	Rechte Schutz
6	25410875/0	1	Mascherina Sinistra	Left Grill	Panneau Gauche	Linke Schutz
7	12735405/0	6	Vite	Screw	Vis	Schraube
8	25108025/0	1	Convogliatore	Conveyor	Convoyeur	Konveyor
9	25730016/0	1	Separatore Aspir. (78)	Intake Separator (78)	Separateur Aspir. (78)	Augenabscheider (78)
11	382785022/8	1	Supp. Cruscotto Destro	Right Dashboard Supp.	Support Tableau Droite	Rechter Konsolehalter
12	382785021/7	1	Supp. Cruscotto Sin.	Left Dashboard Supp.	Support Tableau Gauche	Linker Konsolehalter
13	82785137/0	1	Supp. Cruscotto Centr.	Central Dashboard Supp.	Support Tableau Centr.	Zentr. Konsole Halter
14	12735110/0	2	Vite	Screw	Vis	Schraube
15	12735110/0	4	Vite	Screw	Vis	Schraube
16	25120171/1	1	Cruscotto	Dashboard	Tableau De Bord	Konsole
17	12728440/0	4	Vite	Screw	Vis	Schraube
18	25120200/0	2	Tappo	Plug	Bouchon	Propfen
21	25600009/0	1	Protezione Scheda	Card Protection	Protection De Carte	Karteschutz
22	25600051/0	1	Protezione Scheda	Card Protection	Protection De Carte	Karteschutz
29	25260000/0	2	Gommino	Grommet	Protection	Schutz
31	125961214/1	1	Volante	Steering Wheel	Volant	Lenkrad
32	325580500/0	1	Tappo	Cap	Bouchon	Stopfen
33	12620299/0	1	Spina	Pin	Goupille	Stift
34	25510068/0	2	Perno	Pin	Pivot	Bolzen
35	12293201/0	2	Dado	Nut	Ecrou	Mutter
36	24487998/0	1	Coppiglia	Cotter Pin	Goupille	Splint
37	12731350/0	2	Vite	Screw	Vis	Schraube
38	12521330/0	2	Rondella	Washer	Rondelle	Scheibe





N.	CODE	Q.TY	DESCRIZIONE	DESCRIPTION	DESCRIPTION	BESCHREIBUNG
51	25722459/0	1	Sedile	Seat	Siege	Sitz
52	12793102/0	4	Vite	Screw	Vis	Schraube
53	12583500/0	4	Grower	Grower	Grower	Grower
54	25737002/0	2	Cuffia	Hood	Protecteur	Schutzkasten
61	25110136/1	1	Copertura Centrale	Cover	Couvre	Kappe
61	25110239/1	1	Copertura Centr. (Hydro)	Cover (Hydro)	Couvre (Hydro)	Kappe (Hydro)
62	125580020/2	1	Perno	Pivot	Goujon	Stift
63	25110278/1	1	Copripedana Destra	Right Footboardcover	Couvre Marchepied Dro.	Rechte Fussbrettdeckel
64	25110279/0	1	Copripedana Sinistra	Left Footboard Cover	Couvre Marchepied Gau.	Linke Fussbrettdeckel
65	25599000/0	1	Profilo Destro	Right Profil	Profil Droit	Recht Profil
66	25599001/0	1	Profilo Sinistro	Left Profil	Profil Gauche	Link Profil
67	12731580/0	6	Vite	Screw	Vis	Schraube
71	25109703/1	1	Copertura Ruote	Wheels Cover	Couvre-Roues	Radenkappe
71	25109701/1	1	Copertura Ruote (Hydro)	Wheels Cover (Hydro)	Couvre-Roues (Hydro)	Radenkappe (Hydro)
72	12735402/0	4	Vite	Screw	Vis	Schraube
81	82110200/1	1	Copertura Sacco	Grass-Catcher Cover	Couvre-Bac	Sackkappe
82	25547025/1	1	Piastrina	Plate	Plaque	Platte
83	12674701/0	2	Vite	Screw	Vis	Schraube
84	12729601/1	4	Vite	Screw	Vis	Schraube
85	12582101/0	2	Grower	Grower	Grower	Grower
86	12521331/0	6	Rondella	Washer	Rondelle	Scheibe
101	82869019/0	1	Protezione Silenziatore	Muffler Protection	Protection Silencieux	Auspuffschutz
102	18737857/0	2	Puntale	Cap	Bouchon	Pfropfen
103	12734995/0	4	Vite	Screw	Vis	Schraube
104	325547109/2	2	Piastrina	Plate	Plaque	Platte
106	12731580/0	4	Vite	Screw	Vis	Schraube

Nei modelli con comando elettrico del ribaltamento sacco:

For models with electric tipping of the grass-cather:

Dans les modèles avec commande électrique du renversement du bac:

Bei Modellen mit elektrischer Bedienung zum Kippen des Sacks:

16	325120199/0	1	Cruscotto	Dashboard	Tableau De Bord	Konsole
----	-------------	---	-----------	-----------	-----------------	---------

Per motore / For engine / Pour moteur / Für Motor:

(1) B&S 10,5 - 11,5 - 12,5 - 13,5 HP

(2) B&S 15,5 HP

(3) B&S 16,5 - 17,5 - 18,5 HP

(4) B&S 20 - 22 - 24 HP

(5) GGP ENGINE 13,5 - 14 - 14,5 - 16 HP

(6) HONDA GCV 530

(7) HONDA GXV 660

(8) KOHLER 16 - 18 HP

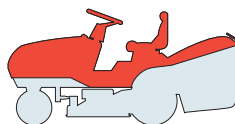


T..

CP CR CB CX CS X S CU

102 hydro

122 hydro



CARROZZERIA

BODY

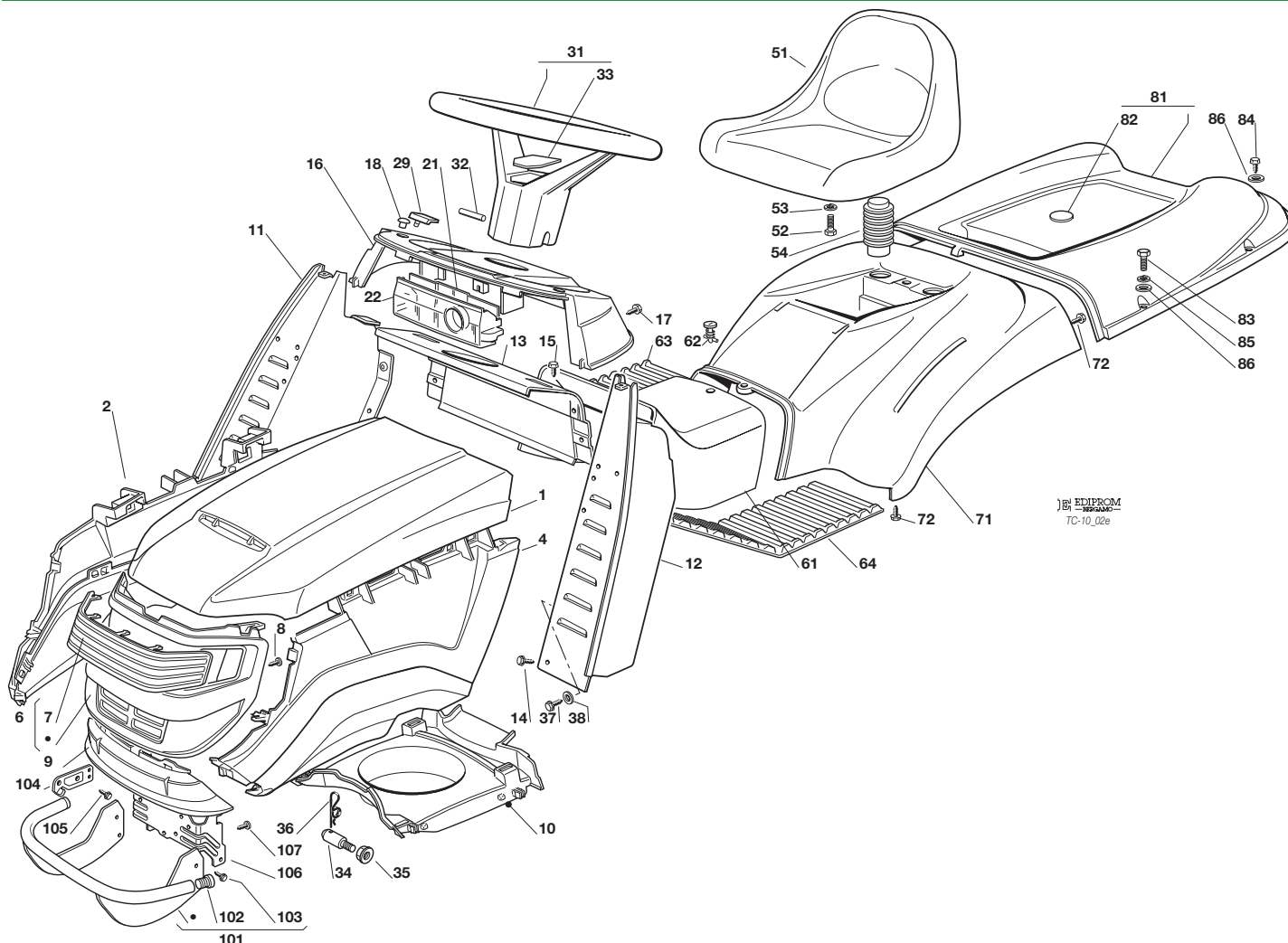
CARROSSERIE

KARROSSERIE

2011

6002e.0

1 / 2



N.	CODE	Q.TY	DESCRIZIONE	DESCRIPTION	DESCRIPTION	BESCHREIBUNG
1	25076871/0	1	Cofano Superiore Rosso	Upper Engine Hood, Red	Capot Rouge	Haubesatz Rot
2	382394620/0	1	Cofano Dx	Hood, Right	Capot Droite	Rechte Haube
3	382394621/0	1	Cofano Sx	Hood, Left	Capot Gauche	Linke Haube
6	82394618/0	1	Cofano Frontale - Grigio	Hood, Front	Capot Avant	Vorde Haube
7	25410878/0	1	Mascherina	Grill	Panneau	Schutz
8	12735403/0	6	Vite	Screw	Vis	Schraube
9	25076877/0	1	Cofano Frontale Inf. - Rosso	Lower Hood, Front	Capot Avant	Vorde Haube
10	25108031/0	1	Convogliatore	Conveyor	Convoyeur	Konveyor
11	382785022/8	1	Supp. Cruscotto Destro	Right Dashboard Supp.	Support Tableau Droite	Rechter Konsolehalter
12	382785021/7	1	Supp. Cruscotto Sin.	Left Dashboard Supp.	Support Tableau Gauche	Linker Konsolehalter
13	82785137/0	1	Supp. Cruscotto Centr.	Central Dashboard Supp.	Support Tableau Centr.	Zentr. Konsole Halter
14	12735110/0	2	Vite	Screw	Vis	Schraube
15	12735110/0	4	Vite	Screw	Vis	Schraube
16	25120171/1	1	Cruscotto	Dashboard	Tableau De Bord	Konsole
17	12728440/0	4	Vite	Screw	Vis	Schraube
18	25120200/0	2	Tappo	Plug	Bouchon	Propfen
21	25600009/0	1	Protezione Scheda	Card Protection	Protection De Carte	Karteschutz
22	25600051/0	1	Protezione Scheda	Card Protection	Protection De Carte	Karteschutz
29	25260000/0	2	Gommino	Grommet	Protection	Schutz
31	25961213/0	1	Volante	Steering Wheel	Volant	Lenkrad
32	12620299/0	1	Spina	Pin	Goupille	Stift
33	25120231/0	1	Tappo	Cap	Bouchon	Stopfen
34	125510079/1	2	Perno	Pin	Pivot	Bolzen
35	12293201/0	2	Dado	Nut	Ecrou	Mutter
36	24487998/0	1	Coppiglia	Cotter Pin	Goupille	Splint
37	12731350/0	2	Vite	Screw	Vis	Schraube
38	12521330/0	2	Rondella	Washer	Rondelle	Scheibe





N.	CODE	Q.TY	DESCRIZIONE	DESCRIPTION	DESCRIPTION	BESCHREIBUNG
51	25722451/2	1	Sedile	Seat	Siege	Sitz
52	12793102/0	4	Vite	Screw	Vis	Schraube
53	12583500/0	4	Grower	Grower	Grower	Grower
54	25122000/2	2	Cuffia	Hood	Protecteur	Schutzkasten
61	25110136/1	1	Copertura Centrale	Cover	Couvre	Kappe
61	25110239/1	1	Copertura Centr. (Hydro)	Cover (Hydro)	Couvre (Hydro)	Kappe (Hydro)
62	125580020/2	1	Perno	Pivot	Goujon	Stift
63	25110270/0	1	Copripedana Destra	Right Footboardcover	Couvre Marchepied Dro.	Rechte Fussbrettdeckel
64	25110260/2	1	Copripedana Sinistra	Left Footboard Cover	Couvre Marchepied Gau.	Linke Fussbrettdeckel
71	25109703/1	1	Copertura Ruote Rosso	Wheels Cover Red	Couvre-Roues Rouge	Radenkappe Rot
71	25109701/1	1	Copertura Ruote Rosso (Hydro)	Wheels Cover Red (Hydro)	Couvre-Roues Rouge (Hydro)	Radenkappe Rot (Hydro)
72	12735402/0	4	Vite	Screw	Vis	Schraube
81	82110200/1	1	Copertura Sacco	Grass-Catcher Cover	Couvre-Bac	Sackkappe
82	25547025/1	1	Piastrina	Plate	Plaque	Platte
83	12674701/0	2	Vite	Screw	Vis	Schraube
84	12729601/1	4	Vite	Screw	Vis	Schraube
85	12582101/0	2	Grower	Grower	Grower	Grower
86	12521331/0	6	Rondella	Washer	Rondelle	Scheibe
101	82869025/0	1	Protezione Silenziatore	Muffler Protection	Protection Silencieux	Auspuffschutz
102	18737860/0	2	Puntale	Cap	Bouchon	Pfropfen
103	12734995/0	4	Vite	Screw	Vis	Schraube
104	325547159/1	2	Piastrina	Plate	Plaque	Platte
105	12731580/0	4	Vite	Screw	Vis	Schraube
106	25774301/1	1	Supporto Cofano	Engine Hood Support	Support Capot	Schraube
107	12735403/0	5	Vite	Screw	Vis	Schraube

Nei modelli con comando elettrico del ribaltamento sacco:

For models with electric tipping of the grass-cather:

Dans les modèles avec commande électrique du renversement du bac:

Bei Modellen mit elektrischer Bedienung zum Kippen des Sacks:

16	325120199/0	1	Cruscotto	Dashboard	Tableau De Bord	Konsole
----	-------------	---	-----------	-----------	-----------------	---------

Per motore / For engine / Pour moteur / Für Motor:

(1) B&S 10,5 - 11,5 - 12,5 - 13,5 HP

(2) B&S 15,5 HP

(3) B&S 16,5 - 17,5 - 18,5 HP

(4) B&S 20 - 22 - 24 HP

(5) GGP ENGINE 13,5 - 14 - 14,5 - 16 HP

(6) HONDA GCV 530

(7) HONDA GXV 660

(8) KOHLER 16 - 18 HP

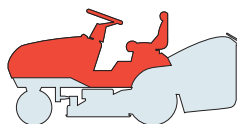


T..

CP CP CB CX CS X S CU

102 hydro

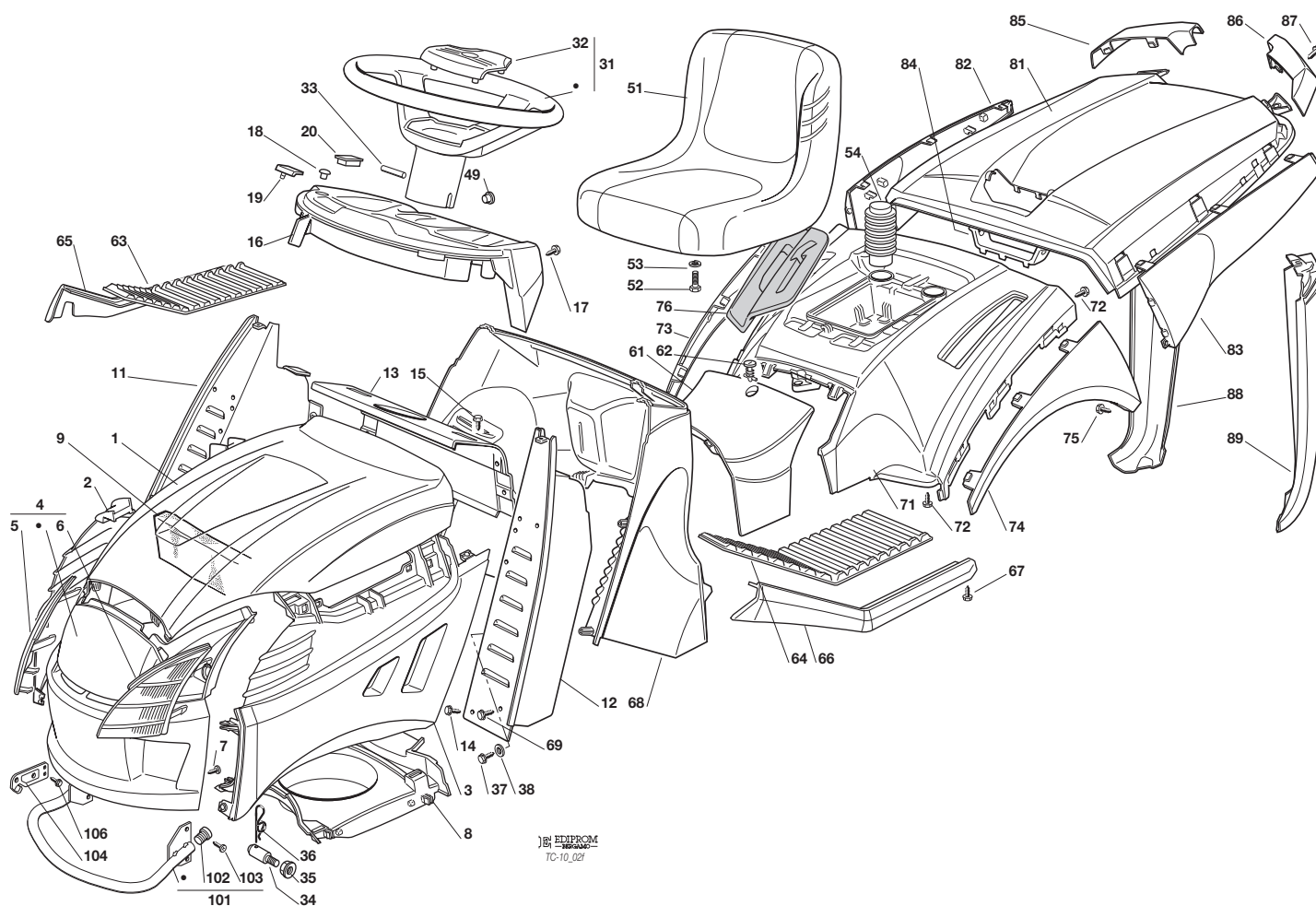
122 hydro


CARROZZERIA
BODY
CARROSSERIE
KARROSSERIE

2011

6002f.0

1 / 2



N.	CODE	Q.TY	DESCRIZIONE	DESCRIPTION	DESCRIPTION	BESCHREIBUNG
1	25076858/0	1	Cofano Superiore	Upper Engine Hood	Capot Superieure	Oberhaubesatz
2	325207120/1	1	Cofano Dx	Hood, Right	Capot Droite	Rechte Haube
3	325207121/1	1	Cofano Sx	Hood, Left	Capot Gauche	Linke Haube
4	82394607/0	1	Cofano Frontale	Hood, Front	Capot Avant	Vorde Haube
5	25410874/0	1	Mascherina Destra	Right Grill	Panneau Droite	Rechte Schutz
6	25410875/0	1	Mascherina Sinistra	Left Grill	Panneau Gauche	Linke Schutz
7	12735405/0	6	Vite	Screw	Vis	Schraube
8	25108025/0	1	Convogliatore	Conveyor	Convoyeur	Konveyor
9	25730016/0	1	Separatore Aspir.	Intake Separator	Separateur Aspir.	Augenabscheider
11	382785022/8	1	Supp. Cruscotto Destro	Right Dashboard Supp.	Support Tableau Droite	Rechter Konsolehalter
12	382785021/7	1	Supp. Cruscotto Sin.	Left Dashboard Supp.	Support Tableau Gauche	Linker Konsolehalter
13	82785137/0	1	Supp. Cruscotto Centr.	Central Dashboard Supp	Support Tableau Centr.	Zentr. Konsole Halter
14	12735110/0	2	Vite	Screw	Vis	Schraube
15	12735110/0	4	Vite	Screw	Vis	Schraube
16	325120198/1	1	Cruscotto, Nero	Dashboard, Black	Tableau De Bord, Noir	Konsole, Schwarz
16	325120205/0	1	Cruscotto, Nero (Cruise Control)	Dashboard, Black (Cruise Control)	Tableau De Bord, Noir (Cruise Control)	Konsole, Schwarz (Cruise Control)
16	325120197/1	1	Cruscotto, Rosso	Dashboard, Red	Tableau De Bord, Rouge	Konsole, Rot
16	325120204/0	1	Cruscotto, Rosso (Cruise Control)	Dashboard, Red (Cruise Control)	Tableau De Bord, Rouge (Cruise Control)	Konsole, Rot (Cruise Control)
17	12728440/0	4	Vite	Screw	Vis	Schraube
18	25120200/0	2	Tappo	Plug	Bouchon	Propfen
19	25260000/0	2	Gommino	Grommet	Protection	Schutz
31	125961214/1	1	Volante	Steering Wheel	Volant	Lenkrad
32	325580500/0	1	Tappo	Cap	Bouchon	Stopfen
33	12620299/0	1	Spina	Pin	Goupille	Stift
34	25510068/0	2	Perno	Pin	Pivot	Bolzen
35	12293201/0	2	Dado	Nut	Ecrou	Mutter
36	24487998/0	1	Coppiglia	Cotter Pin	Goupille	Splint
37	12731350/0	2	Vite	Screw	Vis	Schraube





N.	CODE	Q.TY	DESCRIZIONE	DESCRIPTION	DESCRIPTION	BESCHREIBUNG
38	12521330/0	2	Rondella	Washer	Rondelle	Scheibe
49	25120233/0	1	Tappo	Cap	Bouchon	Verschluss
51	25722459/0	1	Sedile	Seat	Siege	Sitz
52	12793102/0	4	Vite	Screw	Vis	Schraube
53	12583500/0	4	Grower	Grower	Grower	Schrauber
54	25737002/0	2	Cuffia	Hood	Protecteur	Schutzkasten
61	25110303/0	1	Copertura Centrale	Cover	Couvre	Kappe
61	25110306/0	1	Copertura Centr. (Hydro)	Cover (Hydro)	Couvre (Hydro)	Kappe (Hydro)
62	125580020/2	1	Perno	Pivot	Goujon	Stift
63	25110278/1	1	Copripedana Destra	Right Footboardcover	Couvre Marchepied Dro.	Rechte Fussbrettdeckel
64	25110279/0	1	Copripedana Sinistra	Left Footboard Cover	Couvre Marchepied Gau.	Linke Fussbrettdeckel
65	25599000/0	1	Profilo Destro	Right Profil	Profil Droit	Recht Profil
66	25599001/0	1	Profilo Sinistro	Left Profil	Profil Gauche	Link Profil
67	12731580/0	6	Vite	Screw	Vis	Schraube
68	25785228/1	1	Supporto Cruscotto	Dashboard Support	Support Tableau	Konsolehalter
69	12735403/0	7	Vite	Screw	Vis	Schraube
71	25109744/0	1	Copertura Ruote	Wheels Cover	Couvre-Roues	Radenkappe
72	12735402/0	4	Vite	Screw	Vis	Schraube
73	25109747/0	1	Copri ruota Destro	Right Wheel Cover	Couvre-Roue Dro.	Rechte Radkappe
74	25109748/0	1	Copri ruota Sinistro	Left Wheel Cover	Couvre-Roue Gau.	Linke Radkappe
75	12728686/0	2	Vite	Screw	Vis	Schraube
76	325207179/0	1	Copertura	Cover	Couvre	Kappe
76	25207129/0	1	Copertura (Hydro)	Cover (Hydro)	Couvre (Hydro)	Kappe (Hydro)
81	25110302/0	1	Copertura Sacco	Grass-Catcher Cover	Couvre-Bac	Sackkappe
82	25109745/0	1	Copertura Laterale Dx.	Right Cover	Couvre Dro.	Rechte Kappe
83	25109746/0	1	Copertura Laterale Sx.	Left Cover	Couvre Gau.	Linke Kappe
84	25394009/0	1	Copertura Maniglia	Handle Cover	Couvre-Poignee	Griffkappe
85	25207126/0	1	Coperchio Angolare Dx.	Right Cover	Couvre Dro.	Rechte Kappe
86	25207127/0	1	Coperchio Angolare Sx.	Left Cover	Couvre Gau.	Linke Kappe
87	12735403/0	4	Vite	Screw	Vis	Schraube
88	25032006/0	1	Angolare Dx.	Right Angle	Corniere Dro.	Rechtes Winkelprofil
89	25032007/0	1	Angolare Sx.	Left Angle	Corniere Gau.	Linkes Winkelprofil
101	82869019/0	1	Protezione Silenziatore	Muffler Protection	Protection Silencieux	Auspuffschutz
102	18737857/0	2	Puntale	Cap	Bouchon	Pfropfen
103	12734995/0	4	Vite	Screw	Vis	Schraube
104	325547109/2	2	Piastrina	Plate	Plaque	Platte
106	12731580/0	4	Vite	Screw	Vis	Schraube

Per motore / For engine / Pour moteur / Für Motor:

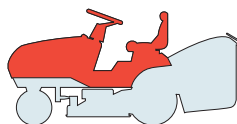
(1) B&S 10,5 - 11,5 - 12,5 - 13,5 HP**(2)** B&S 15,5 HP**(3)** B&S 16,5 - 17,5 - 18,5 HP**(4)** B&S 20 - 22 - 24 HP**(5)** GGP ENGINE 13,5 - 14 - 14,5 - 16 HP**(6)** HONDA GCV 530**(7)** HONDA GXV 660**(8)** KOHLER 16 - 18 HP

T..

CP CR CB CX CS X S CU

102 hydro

122 hydro



CARROZZERIA

BODY

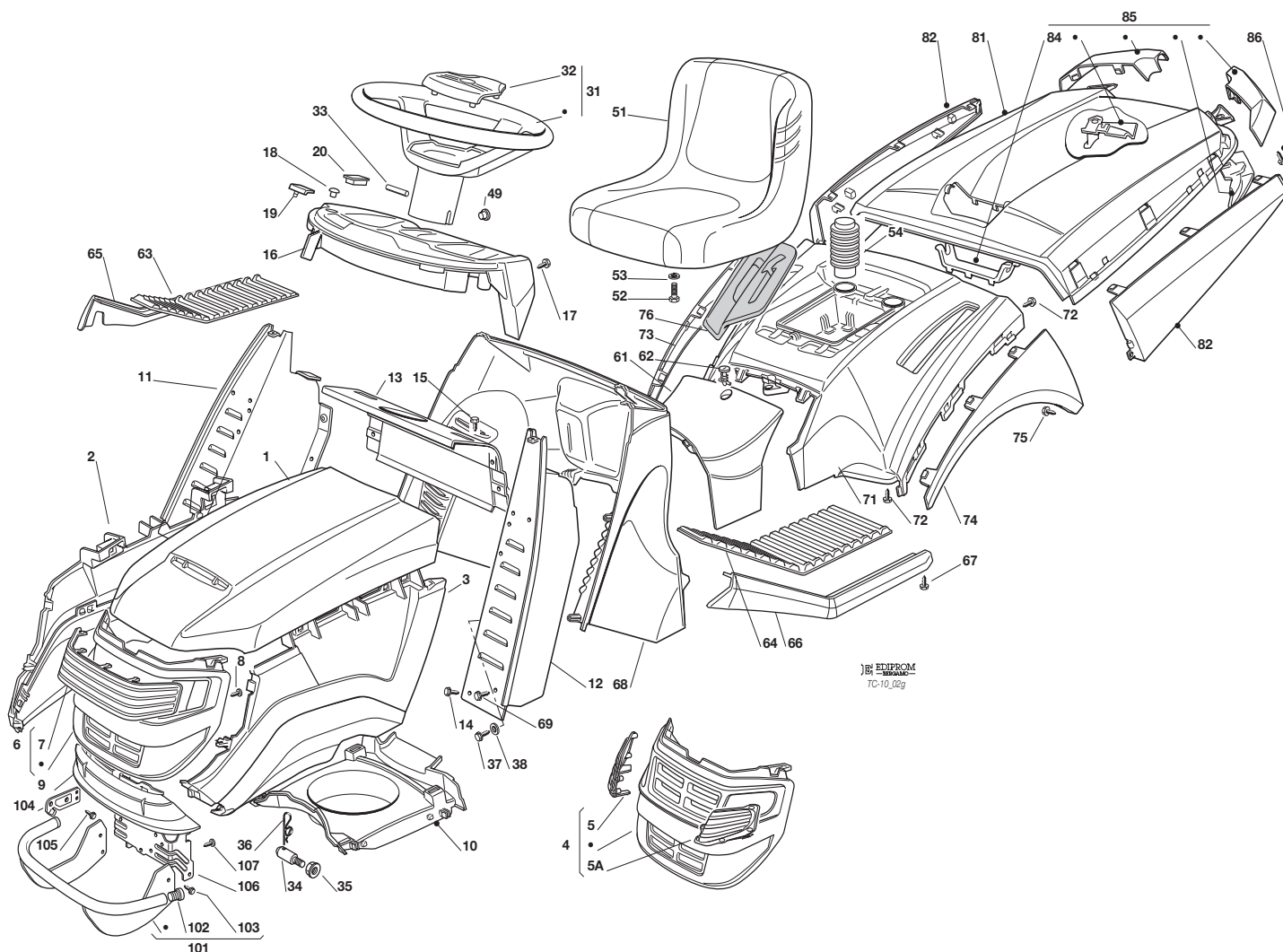
CARROSSERIE

KARROSSERIE

2011

6002g.0

1 / 2



N.	CODE	Q.TY	DESCRIZIONE	DESCRIPTION	DESCRIPTION	BESCHREIBUNG
1	25076871/0	1	Cofano Superiore Rosso	Upper Engine Hood, Red	Capot Rouge	Haubesatz Rot
2	382394620/0	1	Cofano Dx	Hood, Right	Capot Droite	Rechte Haube
3	382394621/0	1	Cofano Sx	Hood, Left	Capot Gauche	Linke Haube
4	382394628/0	1	Cofano Frontale - Grigio	Hood, Front	Capot Avant	Vorde Haube
5	325410881/0	1	Mascherina Destra	Right Grill	Panneau Droite	Rechte Schutz
5A	325410882/0	1	Mascherina Sinistra	Left Grill	Panneau Gauche	Linke Schutz
6	82394618/0	1	Cofano Frontale - Grigio	Hood, Front	Capot Avant	Vorde Haube
7	25410878/0	1	Mascherina	Grill	Panneau	Schutz
8	12735403/0	6	Vite	Screw	Vis	Schraube
9	25076877/0	1	Cofano Frontale Inf. - Rosso	Lower Hood, Front	Capot Avant	Vorde Haube
10	25108031/0	1	Convogliatore	Conveyor	Convoyeur	Konveyeur
11	382785022/8	1	Supp. Cruscotto Destro	Right Dashboard Supp.	Support Tableau Droite	Rechter Konsolehalter
12	382785021/7	1	Supp. Cruscotto Sin.	Left Dashboard Supp.	Support Tableau Gauche	Linker Konsolehalter
13	82785137/0	1	Supp. Cruscotto Centr.	Central Dashboard Supp.	Support Tableau Centr.	Zentr. Konsole Halter
14	12735110/0	2	Vite	Screw	Vis	Schraube
15	12735110/0	4	Vite	Screw	Vis	Schraube
16	325120198/1	1	Cruscotto, Nero	Dashboard, Black	Tableau De Bord, Noir	Konsole, Schwarz
16	325120205/0	1	Cruscotto, Nero (Cruise Control)	Dashboard, Black (Cruise Control)	Tableau De Bord, Noir (Cruise Control)	Konsole, Schwarz (Cruise Control)
16	325120197/1	1	Cruscotto, Rosso	Dashboard, Red	Tableau De Bord, Rouge	Konsole, Rot
16	325120204/0	1	Cruscotto, Rosso (Cruise Control)	Dashboard, Red (Cruise Control)	Tableau De Bord, Rouge (Cruise Control)	Konsole, Rot (Cruise Control)
17	12728440/0	4	Vite	Screw	Vis	Schraube
18	25120200/0	2	Tappo	Plug	Bouchon	Propfen
19	25260000/0	2	Gommino	Grommet	Protection	Schutz
31	125961214/1	1	Volante	Steering Wheel	Volant	Lenkrad
32	325580500/0	1	Tappo	Cap	Bouchon	Stopfen
33	12620299/0	1	Spina	Pin	Goupille	Stift

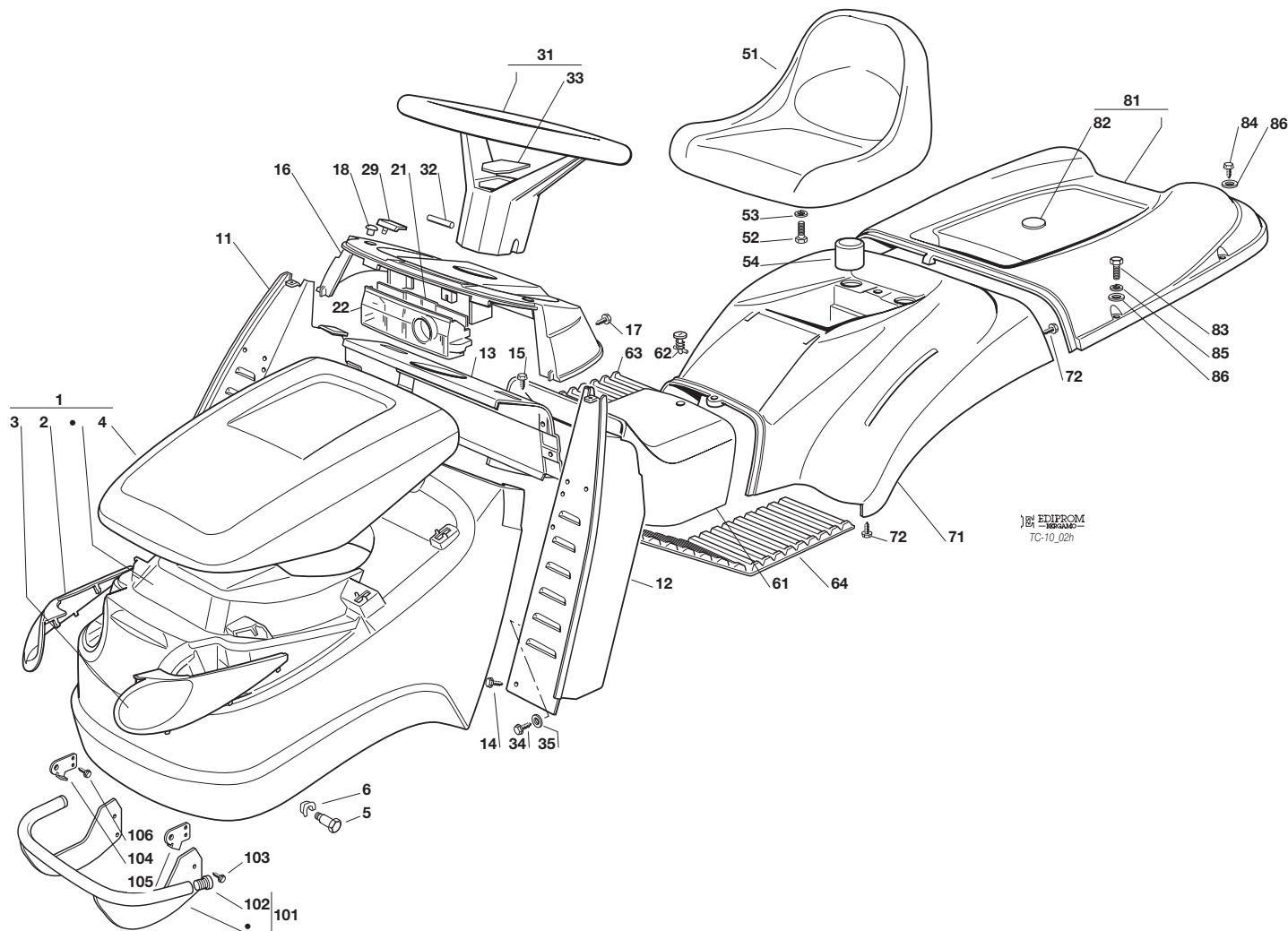
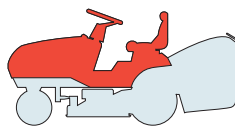




N.	CODE	Q.TY	DESCRIZIONE	DESCRIPTION	DESCRIPTION	BESCHREIBUNG
34	25510068/0	2	Perno	Pin	Pivot	Bolzen
35	12293201/0	2	Dado	Nut	Ecrou	Mutter
36	24487998/0	1	Coppiglia	Cotter Pin	Goupille	Splint
37	12731350/0	2	Vite	Screw	Vis	Schraube
38	12521330/0	2	Rondella	Washer	Rondelle	Scheibe
49	25120233/0	1	Tappo	Cap	Bouchon	Verschluss
51	25722459/0	1	Sedile	Seat	Siege	Sitz
52	12793102/0	4	Vite	Screw	Vis	Schraube
53	12583500/0	4	Grower	Grower	Grower	Grower
54	25737002/0	2	Cuffia	Hood	Protecteur	Schutzkasten
61	25110303/0	1	Copertura Centrale	Cover	Couvre	Kappe
61	25110306/0	1	Copertura Centr. (Hydro)	Cover (Hydro)	Couvre (Hydro)	Kappe (Hydro)
62	125580020/2	1	Perno	Pivot	Goujon	Stift
63	25110278/1	1	Copripedana Destra	Right Footboardcover	Couvre Marchepied Dro.	Rechte Fussbrettdeckel
64	25110279/0	1	Copripedana Sinistra	Left Footboard Cover	Couvre Marchepied Gau.	Linke Fussbrettdeckel
65	25599000/0	1	Profilo Destro	Right Profil	Profil Droit	Recht Profil
66	25599001/0	1	Profilo Sinistro	Left Profil	Profil Gauche	Link Profil
67	12731580/0	6	Vite	Screw	Vis	Schraube
68	25785228/1	1	Supporto Cruscotto	Dashboard Support	Support Tableau	Konsolehalter
69	12735403/0	7	Vite	Screw	Vis	Schraube
71	25109744/0	1	Copertura Ruote	Wheels Cover	Couvre-Roues	Radenkappe
72	12735402/0	4	Vite	Screw	Vis	Schraube
73	25109747/0	1	Copiruota Destro	Right Wheel Cover	Couvre-Roue Dro.	Rechte Radkappe
74	25109748/0	1	Copiruota Sinistro	Left Wheel Cover	Couvre-Roue Gau.	Linke Radkappe
75	12728686/0	2	Vite	Screw	Vis	Schraube
76	325207179/0	1	Copertura	Cover	Couvre	Kappe
76	25207129/0	1	Copertura (Hydro)	Cover (Hydro)	Couvre (Hydro)	Kappe (Hydro)
81	25110302/0	1	Copertura Sacco	Grass-Catcher Cover	Couvre-Bac	Sackkappe
82	382110255/0	1	Coperture Laterali	Cover Assy	Couvre Ens.	Kappe
84	25394009/0	1	Copertura Maniglia	Handle Cover	Couvre-Poignee	Griffkappe
85	382110259/0	1	Assieme Angolari	Angles Assy	Corniere Ens.	Winkelprofil
86	12735403/0	4	Vite	Screw	Vis	Schraube
101	82869025/0	1	Protezione Silenziatore	Muffler Protection	Protection Silencieux	Auspuffschutz
102	18737860/0	2	Puntale	Cap	Bouchon	Pfropfen
103	12734995/0	4	Vite	Screw	Vis	Schraube
104	325547159/1	2	Piastrina	Plate	Plaque	Platte
105	12731580/0	4	Vite	Screw	Vis	Schraube
106	25774301/1	1	Supporto Cofano	Engine Hood Support	Support Capot	Schraube
107	12735403/0	5	Vite	Screw	Vis	Schraube

Per motore / For engine / Pour moteur / Für Motor:

(1) B&S 10,5 - 11,5 - 12,5 - 13,5 HP**(2)** B&S 15,5 HP**(3)** B&S 16,5 - 17,5 - 18,5 HP**(4)** B&S 20 - 22 - 24 HP**(5)** GGP ENGINE 13,5 - 14 - 14,5 - 16 HP**(6)** HONDA GCV 530**(7)** HONDA GXV 660**(8)** KOHLER 16 - 18 HP



N.	CODE	Q.TY	DESCRIZIONE	DESCRIPTION	DESCRIPTION	BESCHREIBUNG
----	------	------	-------------	-------------	-------------	--------------

1	382076956/0	1	Cofano	Engine Hood	Capot	Haubesatz
2	325410891/0	1	Mascherina Destra	Right Grill	Panneau Droite	Rechter Schutz
3	325410892/0	1	Mascherina Sinistra	Left Grill	Panneau Gauche	Linker Schutz
4	325076901/0	1	Cofano Superiore Rosso	Upper Engine Hood, Red	Capot Rouge	Haubesatz Rot
5	25510023/1	2	Perno	Pin	Pivot	Bolzen
6	112436050/1	2	Piastrina	Plate	Plaque	Platte
11	382785022/8	1	Supp. Cruscotto Destro	Right Dashboard Supp.	Support Tableau Droite	Rechter Konsolehalter
12	382785021/7	1	Supp. Cruscotto Sin.	Left Dashboard Supp.	Support Tableau Gauche	Linker Konsolehalter
13	82785137/0	1	Supp. Cruscotto Centr.	Central Dashboard Supp	Support Tableau Centr.	Zentr. Konsole Halter
14	12735110/0	2	Vite	Screw	Vis	Schraube
15	12735110/0	4	Vite	Screw	Vis	Schraube
16	25120171/1	1	Cruscotto	Dashboard	Tableau De Bord	Konsole
17	12728440/0	4	Vite	Screw	Vis	Schraube
18	25120200/0	2	Tappo	Plug	Bouchon	Propfen
21	25600009/0	1	Protezione Scheda	Card Protection	Protection De Carte	Karteschutz
22	25600051/0	1	Protezione Scheda	Card Protection	Protection De Carte	Karteschutz
29	25260000/0	2	Gommino	Grommet	Protection	Schutz
31	25961213/0	1	Volante	Steering Wheel	Volant	Lenkrad
32	12620299/0	1	Spina	Pin	Goupille	Stift
33	25120231/0	1	Tappo	Cap	Bouchon	Stopfen
34	12731350/0	2	Vite	Screw	Vis	Schraube
35	12521330/0	2	Rondella	Washer	Rondelle	Scheibe
51	25722451/2	1	Sedile	Seat	Siege	Sitz
52	12793102/0	4	Vite	Screw	Vis	Schraube
53	12583500/0	4	Grower	Grower	Grower	Grower
54	25122000/2	2	Cuffia	Hood	Protecteur	Schutzkasten





N.	CODE	Q.TY	DESCRIZIONE	DESCRIPTION	DESCRIPTION	BESCHREIBUNG
61	25110136/1	1	Copertura Centrale Rosso	Cover Red	Couvre Rouge	Kappe Rot
61	25110239/1	1	Copertura Centr. (Hydro) Rosso	Cover (Hydro) Red	Couvre (Hydro) Rouge	Kappe (Hydro) Rot
62	125580020/2	1	Perno	Pivot	Goujon	Stift
63	25110270/0	1	Copripedana Destra	Right Footboardcover	Couvre Marchepied Dro.	Rechte Fussbrettdeckel
64	25110260/2	1	Copripedana Sinistra	Left Footboard Cover	Couvre Marchepied Gau.	Linke Fussbrettdeckel
71	25109703/1	1	Copertura Ruote Rosso	Wheels Cover Red	Couvre Roues Rouge	Radenkappe Rot
71	25109701/1	1	Copertura Ruote (Hydro) Rosso	Wheels Cover (Hydro) Red	Couvre Roues (Hydro) Rouge	Radenkappe (Hydro) Rot
72	12735402/0	1	Vite	Screw	Vis	Schraube
81	82110200/1	1	Copertura Sacco Rosso	Grass-Catcher Cover Red	Couvre-Bac Rouge	Sackkappe Rot
82	25547025/1	1	Piastrina Rossa	Plate Red	Plaque Rouge	Platte Rot
83	12674701/0	2	Vite	Screw	Vis	Schraube
84	12729601/1	4	Vite	Screw	Vis	Schraube
85	12582101/0	2	Grower	Grower	Grower	Grower
86	12521331/0	6	Rondella	Washer	Rondelle	Scheibe
101	82869025/0	1	Protezione Silenziatore	Muffler Protection	Protection Silencieux	Auspuffschutz
102	18737860/0	2	Puntale	Cap	Bouchon	Pfropfen
103	12734995/0	4	Vite	Screw	Vis	Schraube
104	325547089/1	1	Piastrina Destra	Right Plate	Plaque Droite	Rechte Platte
105	325547091/1	1	Piastrina Sinistra	Left Plate	Plaque Gauche	Linke Platte
106	12731580/0	4	Vite	Screw	Vis	Schraube

Per motore / For engine / Pour moteur / Für Motor:

(1) B&S 10,5 - 11,5 - 12,5 - 13,5 HP (2) B&S 15,5 HP (3) B&S 16,5 - 17,5 - 18,5 HP (4) B&S 20 - 22 - 24 HP
 (5) GGP ENGINE 13,5 - 14 - 14,5 - 16 HP (6) HONDA GCV 530 (7) HONDA GXV 660 (8) KOHLER 16 - 18 HP

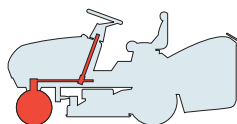


T..

CP CR CB CX CS X S CU

102 hydro

122 hydro

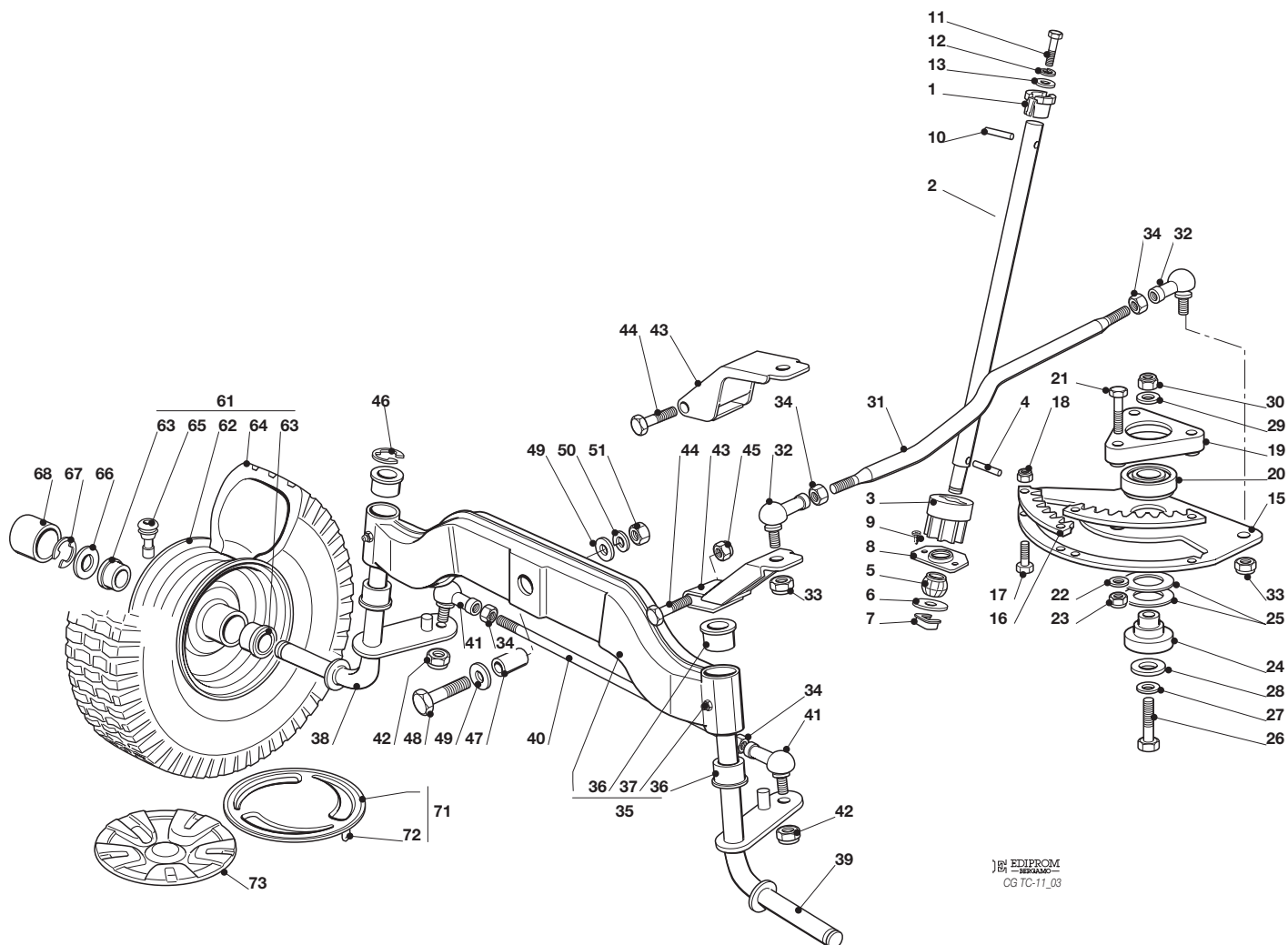


STERZO
STEERING
BARRE DE DIRECTION
LENKGETRIEBE

2011

6003.0

1 / 2



EDIPROM
 CG TC-11_03

N.	CODE	Q.TY	DESCRIZIONE	DESCRIPTION	DESCRIPTION	BESCHREIBUNG
1	25038004/0	1	Bussola	Bush	Douille	Büchse
2	125520010/0	1	Piantone	Steering Column	Tube De Direction	Lenkungsaeule
3	125570004/0	1	Pignone	Pinion	Pignon	Ritzel
4	112714300/0	1	Grano	Dowel	Grain	Stift
5	25743000/0	1	Snodo	Joint	Joint	Gelenk
6	12521370/0	1	Rondella	Washer	Rondelle	Scheibe
7	12436030/0	1	Piastrina	Plate	Plaquette	Plattechen
8	325785213/1	1	Supporto	Support	Support	Halter
9	12729601/1	2	Vite	Screw	Vis	Schraube
10	112620250/0	1	Spina	Pin	Goupille	Stift
11	12691800/0	1	Vite	Screw	Vis	Schraube
12	12583500/0	1	Grower	Grower	Grower	Grower
13	12523060/0	1	Rondella	Washer	Rondelle	Scheibe
15	325735523/0	1	Settore	Steering Shaft	Arbre Direction	Lenkungswelle
16	325150000/0	2	Creomaglieria	Rack	Rack	Zahnstange
17	12791213/1	4	Vite	Screw	Vis	Schraube
18	12154510/0	4	Dado	Nut	Ecrou	Mutter
19	325774453/0	1	Staffa	Clamp	Etrier	Bride
20	119216047/0	1	Cuscinetto	Bearing	Roulement	Kuegellager
21	12691100/0	3	Vite	Screw	Vis	Schraube
22	12523060/0	3	Rondella	Washer	Rondelle	Scheibe
23	12155000/0	3	Dado	Nut	Ecrou	Mutter
24	125510120/0	1	Supporto	Support	Support	Halter
25	22672153/0	2	Rondella	Washer	Rondelle	Scheibe
26	12692395/0	1	Vite	Screw	Vis	Schraube
27	12523080/0	1	Rosetta	Washer	Rondelle	Scheibe
28	12521390/0	1	Rondella	Washer	Rondelle	Scheibe
29	12523080/0	1	Rosetta	Washer	Rondelle	Scheibe
30	12156602/0	1	Dado	Nut	Ecrou	Mutter
31	25033003/1	1	Asta Comando Sterzo	Steering Rod	Barre De Direction	Lenkungsstab





N.	CODE	Q.TY	DESCRIZIONE	DESCRIPTION	DESCRIPTION	BESCHREIBUNG
32	22746600/0	2	Snodo	Joint	Joint	Gelenk
32	122746616/0	2	Snodo	Joint	Joint	Gelenk
33	122746609/0	2	Dado	Nut	Ecrou	Mutter
34	12156602/0	4	Dado	Nut	Ecrou	Mutter
35	82034001/3	1	Bilanciere Con Boccola Ed Ingrassatore	Equalizer With Bush And Lubricator	Balancier Avec Douille Et Graisseur	Kipphebel Mit Büchse Und Fettbüchse
36	25034002/1	4	Bronzina	Brass	Coussinet	Büchse
37	12379511/0	2	Ingrassatore	Grease Dispenser	Graisseur	Fettbüchse
40	25840001/0	1	Tirante	Tie Rod	Tirant	Kupplung
41	122746616/0	2	Snodo	Joint	Joint	Gelenk
42	12156602/0	2	Dado	Nut	Ecrou	Mutter
45	12155000/0	1	Dado	Nut	Ecrou	Mutter
46	12001000/0	1	Anello Elastico	Snap Ring	Anneau Ressort	Sprengring
47	25160005/0	1	Distanziale	Spacer	Entretoise	Entfernungsstueck
48	12694100/0	1	Vite	Screw	Vis	Schraube
49	12521390/0	2	Rondella	Washer	Rondelle	Scheibe
50	12587900/0	1	Grower	Grower	Grower	Grower
51	12295800/0	1	Dado	Nut	Ecrou	Mutter
62	82000590/1	2	Cerchio Ruota	Rimm	Bandage Roue	Vorderrad Felger
63	25122200/2	4	Cuscinetto	Bearing	Roulement	Lager
65	25950000/0	2	Valvola	Valve	Soupape	Ventil
66	25670005/1	2	Rondella	Washer	Rondelle	Scheibe
67	12001000/0	2	Anello Elastico	Snap Ring	Anneau Ressort	Sprengring
68	22110230/0	2	Coprimozzo	Hub Cover	Couvre Moyeu	Radnabe Deckel
71	82110252/0	2	Ass. Copridisco Ruota Anteriore (TCP - TCB)	Front Wheel Coverens. Ass.Y (TCP - TCB)	Couvre Disque Roue Anter. (TCP - TCB)	Vorderrad Deckel (TCP - TCB)
72	25430209/0	8	Molla Aggancio	Spring	Ressort	Feder
73	82110274/0	2	Copridisco (TCX - TX)	Wheel Cover (TCX - TX)	Couvre Disque (TCX - TX)	Deckel (TCX - TX)

Nei modelli con pneumatici 13": For models with 13" tires:**Dans modèles avec pneus 13": Bei Modellen mit Reifen 13":**

38	82230349/0	1	Fusello Destro	Right Stub Axle	Fuseau Droite	Rechter Achsschenkel
39	82230348/0	1	Fusello Sinistro	Left Stub Axle	Fuseau Gauche	Linker Achsschenkel
43	82318101/0	1	Leva Comando	Lever	Levier	Hebel
44	12691700/0	1	Vite	Screw	Vis	Schraube
61	82680005/1	2	Ruota Anteriore	Front Wheel	Roue Avant	Vorderrad
64	25590002/0	2	Pneumatico	Tire	Pneu	Reifen

Nei modelli con pneumatici 15": For models with 15" tires:**Dans modèles avec pneus 15": Bei Modellen mit Reifen 15":**

38	82230361/0	1	Fusello Destro	Right Stub Axle	Fuseau Droite	Rech. Achsschenkel
39	82230359/0	1	Fusello Sinistro	Left Stub Axle	Fuseau Gauche	Linker Achsschenkel
43	82318185/0	1	Leva Comando	Lever	Levier	Hebel
44	12692395/0	1	Vite	Screw	Vis	Schraube
61	82680008/1	2	Ruota Anteriore	Front Wheel	Roue Avant	Vorderrad
64	27590053/0	2	Pneumatico	Tire	Pneu	Reifen

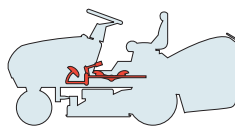


T..

CP CR CB CX CS X S CU

102 hydro

122 hydro

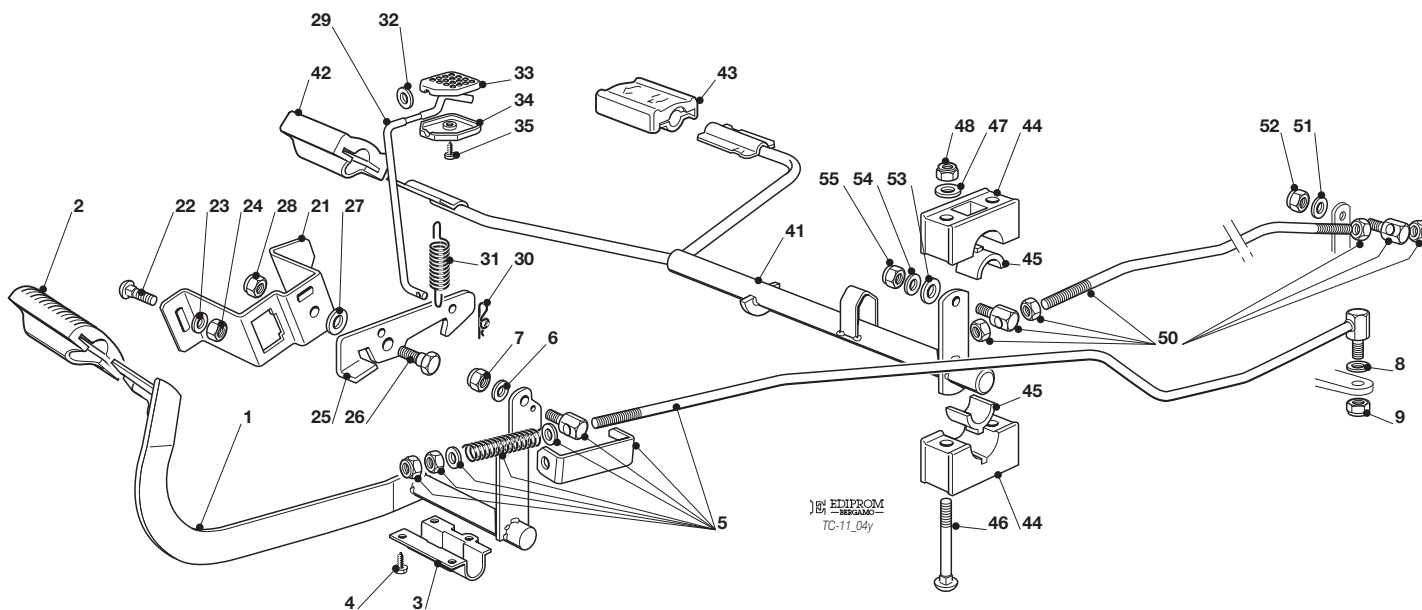
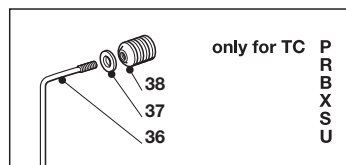


COMANDO TRASMISSIONE E FRENO
 DRIVE AND BRAKE CONTROLS
 COMMANDE TRANSMISSION ET FREIN
 GETRIEBE UND BREMSE ANTRIEB

2011

6004Y.0

1 / 2



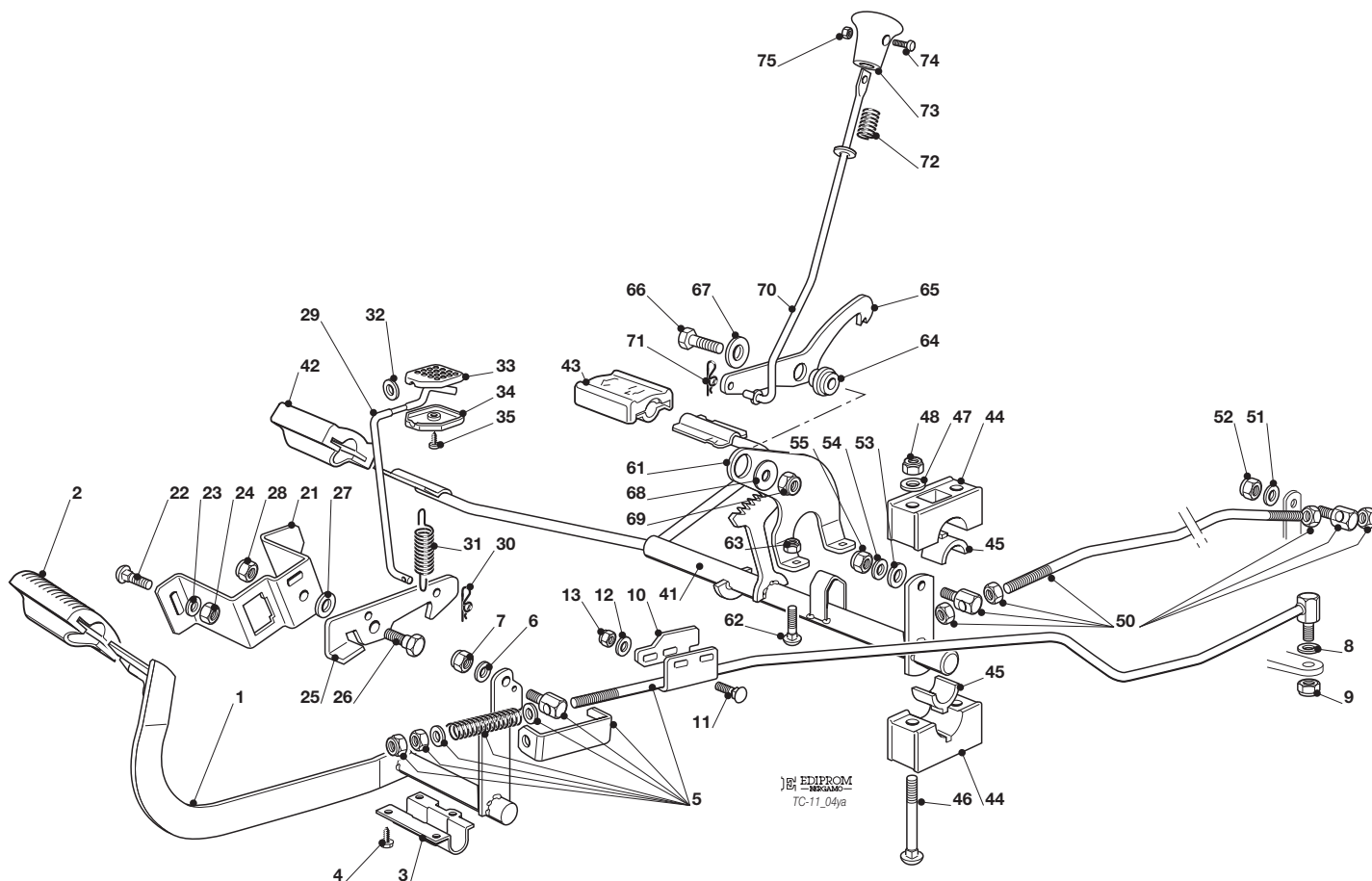
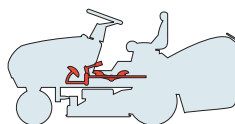
N.	CODE	Q.TY	DESCRIZIONE	DESCRIPTION	DESCRIPTION	BESCHREIBUNG
1	82500011/2	1	Pedale	Pedal	Pedal	Pedal
2	325110416/0	1	Coprstaffa	Clamp Cover	Couvre Etrier	Bridedeckel
3	325547081/2	1	Piastrina	Plate	Plaque	Platte
4	12731601/0	4	Vite	Screw	Vis	Schraube
5	382000582/0	1	Asta	Rod	Barre	Stange
6	12521350/0	1	Rondella	Washer	Rondelle	Scheibe
7	12155000/0	1	Dado	Nut	Ecrou	Mutter
8	12521360/0	2	Rondella	Washer	Rondelle	Scheibe
9	12155000/0	1	Dado	Nut	Ecrou	Mutter
21	325785143/1	1	Supporto	Support	Support	Halter
22	12815210/0	2	Vite	Screw	Vis	Schraube
23	12523040/0	1	Rondella	Washer	Rondelle	Scheibe
24	12154510/0	2	Dado	Nut	Ecrou	Mutter
25	25253001/0	1	Gancio	Hook	Crochet	Haken
26	22524970/2	1	Perno	Pin	Pivot	Bolzen
27	25670011/0	1	Rondella	Washer	Rondelle	Scheibe
28	12155000/0	1	Dado	Nut	Ecrou	Mutter
31	25430213/0	1	Molla	Spring	Ressort	Feder
41	382000391/0	1	Pedale Avanzamento	Drive Pedal	Pedale Transmission	Getriebepedal
42	325110417/0	1	Coprstaffa Anteriore	Clamp Cover Front	Couvre Etrier Avant	Bridedeckel Vorde
43	325110418/0	1	Coprstaffa Posteriore	Clamp Cover Rear	Couvre Etrier Arriere	Bridedeckel Hinter
44	325785354/0	4	Supporto	Support	Support	Halter
45	325034003/0	4	Bronzina	Brass	Coussinet	Büchse
46	112815271/0	4	Vite	Screw	Vis	Schraube
47	12523040/0	4	Rondella	Washer	Rondelle	Scheibe
48	12154510/0	4	Dado	Nut	Ecrou	Mutter





N.	CODE	Q.TY	DESCRIZIONE	DESCRIPTION	DESCRIPTION	BESCHREIBUNG
50	382000579/0	1	Asta	Rod	Barre	Stange
51	12523040/0	1	Rondella	Washer	Rondelle	Scheibe
52	12154510/0	1	Dado	Nut	Ecrou	Mutter
53	12521360/0	1	Rondella	Washer	Rondelle	Scheibe
54	12523040/0	1	Rondella	Washer	Rondelle	Scheibe
55	12154510/0	1	Dado	Nut	Ecrou	Mutter
Modelli: TCR - TCB - TCP - TCX - TCS - TCU				Models: TCR - TCB - TCP - TCX - TCS - TCU	Modèles: TCR - TCB - TCP - TCX - TCS - TCU	Modellen: TCR - TCB - TCP - TCX - TCS - TCU
36	25033034/0	1	Asta	Rod	Barre	Stange
37	25394509/1	1	Manopola	Knob	Poignee	Knopf
38	12523020/0	1	Rondella	Washer	Rondelle	Scheibe
Modelli: TX - TS				Models: TX - TS	Modèles: TX - TS	Modellen: TX - TS
29	125033097/0	1	Asta	Rod	Barre	Stange
30	24487997/0	1	Coppiglia	Cotter Pin	Goupille	Splint
32	12523040/0	1	Rondella	Washer	Rondelle	Scheibe
33	325592001/0	1	Pomello	Knob	Poignee	Griff
34	325592002/0	1	Pomello	Knob	Poignee	Griff
35	12727815/0	1	Vite	Screw	Vis	Schraube





N.	CODE	Q.TY	DESCRIZIONE	DESCRIPTION	DESCRIPTION	BESCHREIBUNG
1	82500011/2	1	Pedale	Pedal	Pedal	Pedal
2	325110416/0	1	Coprstaffa	Clamp Cover	Couvre Etrier	Bridedeckel
3	325547081/2	1	Piastrina	Plate	Plaque	Platte
4	12731601/0	4	Vite	Screw	Vis	Schraube
5	382000582/0	1	Asta	Rod	Barre	Stange
6	12521350/0	1	Rondella	Washer	Rondelle	Scheibe
7	12155000/0	1	Dado	Nut	Ecrou	Mutter
8	12521360/0	2	Rondella	Washer	Rondelle	Scheibe
9	12155000/0	1	Dado	Nut	Ecrou	Mutter
10	325547281/1	1	Piastrina	Plate	Plaque	Platte
11	12815210/0	2	Vite	Screw	Vis	Schraube
12	12523040/0	2	Rondella	Washer	Rondelle	Scheibe
13	12154510/0	2	Dado	Nut	Ecrou	Mutter
21	325785143/1	1	Supporto	Support	Support	Halter
22	12815210/0	2	Vite	Screw	Vis	Schraube
23	12523040/0	1	Rondella	Washer	Rondelle	Scheibe
24	12154510/0	2	Dado	Nut	Ecrou	Mutter
25	25253001/0	1	Gancio	Hook	Crochet	Haken
26	22524970/2	1	Perno	Pin	Pivot	Bolzen
27	25670011/0	1	Rondella	Washer	Rondelle	Scheibe
28	12155000/0	1	Dado	Nut	Ecrou	Mutter
29	25033034/0	1	Asta	Rod	Barre	Stange
29	125033097/0	1	Asta (Tx - Ts)	Rod (Tx - Ts)	Barre (Tx - Ts)	Stange (Tx - Ts)
30	24487997/0	1	Coppiglia (Tx - Ts)	Cotter Pin (Tx - Ts)	Goupille (Tx - Ts)	Splint (Tx - Ts)
31	25430213/0	1	Molla	Spring	Ressort	Feder
32	12523020/0	1	Rondella	Washer	Rondelle	Scheibe
32	12523040/0	1	Rondella (Tx - Ts)	Washer (Tx - Ts)	Rondelle (Tx - Ts)	Scheibe (Tx - Ts)
33	325592001/0	1	Pomello	Knob	Poignee	Griff





N.	CODE	Q.TY	DESCRIZIONE	DESCRIPTION	DESCRIPTION	BESCHREIBUNG
34	325592002/0	1	Pomello	Knob	Poignee	Griff
35	12727815/0	1	Vite	Screw	Vis	Schraube
41	382000389/0	1	Pedale Avanzamento	Drive Pedal	Pedale Transmission	Getriebepedal
42	325110417/0	1	Copristaffa Anteriore	Clamp Cover Front	Couvre Etrier Avant	Bridedeckel Vorde
43	325110418/0	1	Copristaffa Posteriore	Clamp Cover Rear	Couvre Etrier Arriere	Bridedeckel Hinter
44	325785354/0	4	Supporto	Support	Support	Halter
45	325034003/0	4	Bronzina	Brass	Coussinet	Büchse
46	112815271/0	4	Vite	Screw	Vis	Schraube
47	12523040/0	4	Rondella	Washer	Rondelle	Scheibe
48	12154510/0	4	Dado	Nut	Ecrou	Mutter
50	382000579/0	1	Asta	Rod	Barre	Stange
51	12523040/0	1	Rondella	Washer	Rondelle	Scheibe
52	12154510/0	1	Dado	Nut	Ecrou	Mutter
53	12521360/0	1	Rondella	Washer	Rondelle	Scheibe
54	12523040/0	1	Rondella	Washer	Rondelle	Scheibe
55	12154510/0	1	Dado	Nut	Ecrou	Mutter
61	325774477/0	1	Staffa	Clamp	Etrier	Bride
62	12815210/0	2	Vite	Screw	Vis	Schraube
63	12292102/0	2	Dado	Nut	Ecrou	Mutter
64	125040638/0	1	Bussola	Bush	Douille	Büchse
65	325022000/1	1	Gancio	Hook	Crochet	Haken
66	12691100/0	1	Vite	Screw	Vis	Schraube
67	12523060/0	1	Rondella	Washer	Rondelle	Scheibe
68	22672152/0	1	Rondella	Washer	Rondelle	Scheibe
69	12155000/0	1	Dado	Nut	Ecrou	Mutter
70	125033091/0	1	Asta	Rod	Barre	Stange
71	24487995/0	1	Coppiglia	Cotter Pin	Goupille	Splint
72	25430232/0	1	Molla	Spring	Ressort	Feder
73	325605002/0	1	Pulsante	Button	Poussoir	Druckknopf
74	112726389/0	1	Vite	Screw	Vis	Schraube
75	12290800/0	1	Dado	Nut	Ecrou	Mutter

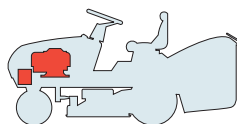


T..

CP CR CB CX CS X S CU

102 hydro

122 hydro

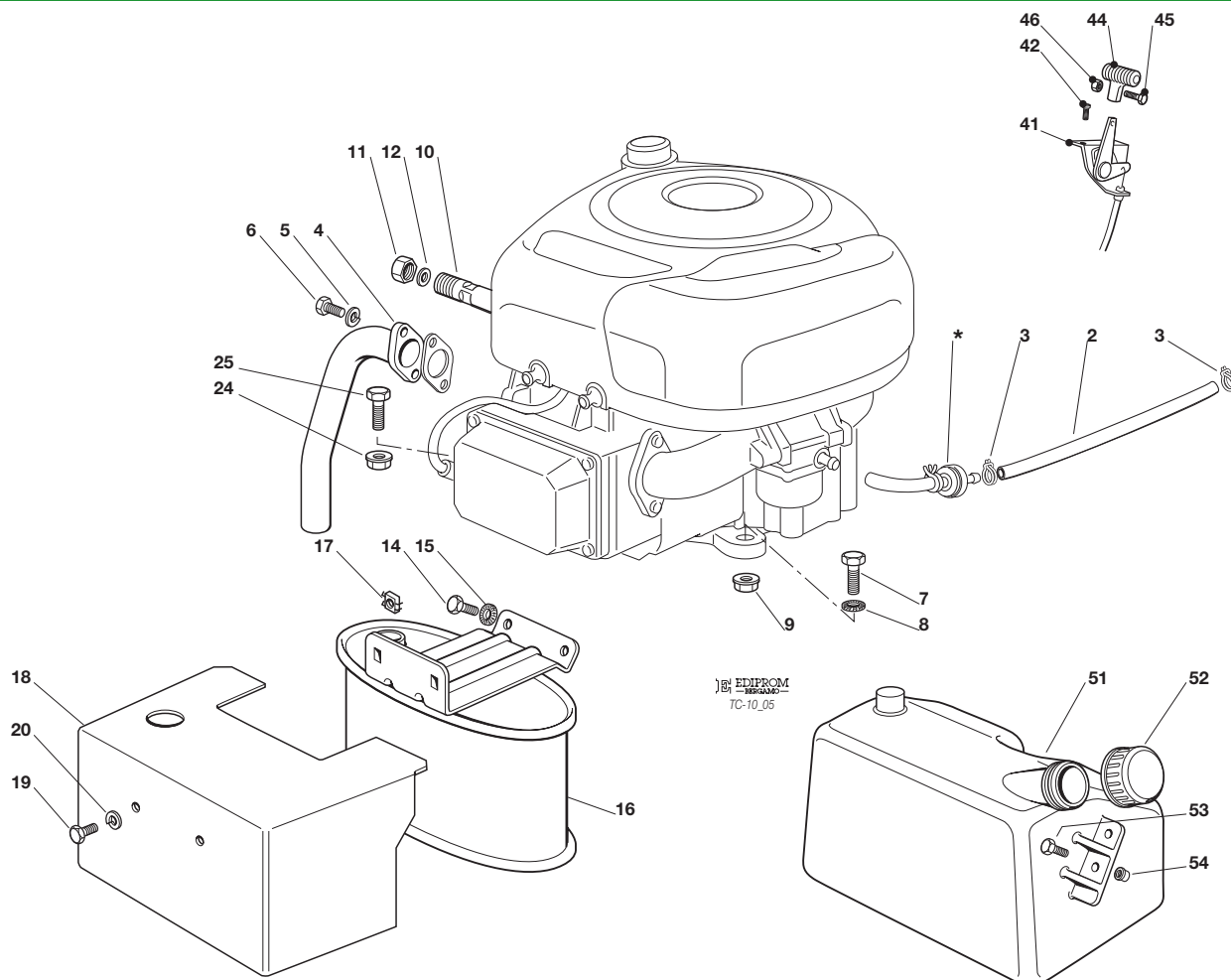

**MOTORE
ENGINE
MOTEUR
MOTOR**
B&S 10,5 - 11,5 - 12,5 - 13,5 HP

BRIGGS & STRATTON

2011

6005.0

1 / 1



N.	CODE	Q.TY	DESCRIZIONE	DESCRIPTION	DESCRIPTION	BESCHREIBUNG
2	25869016/1	1	Tubo Collegamento	Connecting Tube	Tube De Connexion	Verbindungsrohr
3	18375051/1	2	Fascetta	Fair Led	Fixation De Cable	Kabelbefestigung
4	18738224/0	1	Tubo Scarico	Exhaust Tube	Tube Echappement	Abgasrohr
5	12583500/0	2	Grower	Grower	Grower	Grower
6	12735530/0	2	Vite	Screw	Vis	Schraube
7	12691115/0	1	Vite	Screw	Vis	Schraube
8	12540260/0	1	Rondella	Washer	Rondelle	Scheibe
9	12154210/0	1	Dado	Nut	Ecrou	Mutter
10	25598050/0	1	Prolunga Scarico Olio	Oil Discharge Extension	Extension Dech. Huile	Öl Abfluss
11	18737849/0	1	Tappo Prolunga	Oil Cap	Bouchon Huile	Oelverschluss
12	18401001/1	1	Guarnizione	Oil Seal	Garniture	Dichtung
14	12793102/0	2	Vite	Screw	Vis	Schraube
15	12540260/0	2	Rondella	Washer	Rondelle	Scheibe
16	182750010/0	1	Silenziatore	Muffler	Silenceux	Auspuff
17	12360425/0	2	Dado	Nut	Ecrou	Mutter
18	82598009/2	1	Protezione	Guard	Protection	Schutze
19	12792611/0	2	Vite	Screw	Vis	Schraube
20	12583500/0	2	Grower	Grower	Grower	Grower
24	12154210/0	3	Dado	Nut	Ecrou	Mutter
25	12691100/0	3	Vite	Screw	Vis	Schraube
41	82000200/1	1	Acceleratore	Accelerator	Accelérateur	Gas Zug
42	125943012/0	2	Vite	Screw	Vis	Schraube
44	25394501/0	1	Manopolina	Handle	Poigne	Griff
45	12726388/0	1	Vite	Screw	Vis	Schraube
46	12290800/0	1	Dado	Nut	Ecrou	Mutter
51	25735110/3	1	Serbatoio	Tank	Reservoir	Tank
52	25795000/1	1	Tappo	Cap	Bouchon	Tankverschluss
53	12788910/0	2	Vite	Screw	Vis	Schraube
54	12500092/0	2	Rivetto	Rivet	Rivet	Niet

PER LA SOSTITUZIONE DELLE PARTI CONTRASSEGNALE CON «*» RIVOLGERSI AL SERVIZIO ASSISTENZA DEL COSTRUTTORE DEL MOTORE.
 TO REPLACE THE PARTS MARKED «*» SEEK ASSISTANCE FROM THE ENGINE MANUFACTURER'S AFTER SALES SERVICE.
 POUR LE REMPLACEMENT DES PIÈCES MARQUÉES AVEC «*» S'ADRESSER AU SERVICE APRÈS VENTES DU CONSTRUCTEUR DU MOTEUR.
 ZUM AUSTAUSCH DER MIT «*» GEKENNZEICHNETEN TEILE, WENDEN SIE SICH AN DEN KUNDENDIENST DES HERSTELLERS DES MOTOR.

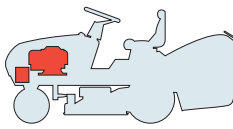


T..

CP CR CB CX CS X S CU

102 hydro

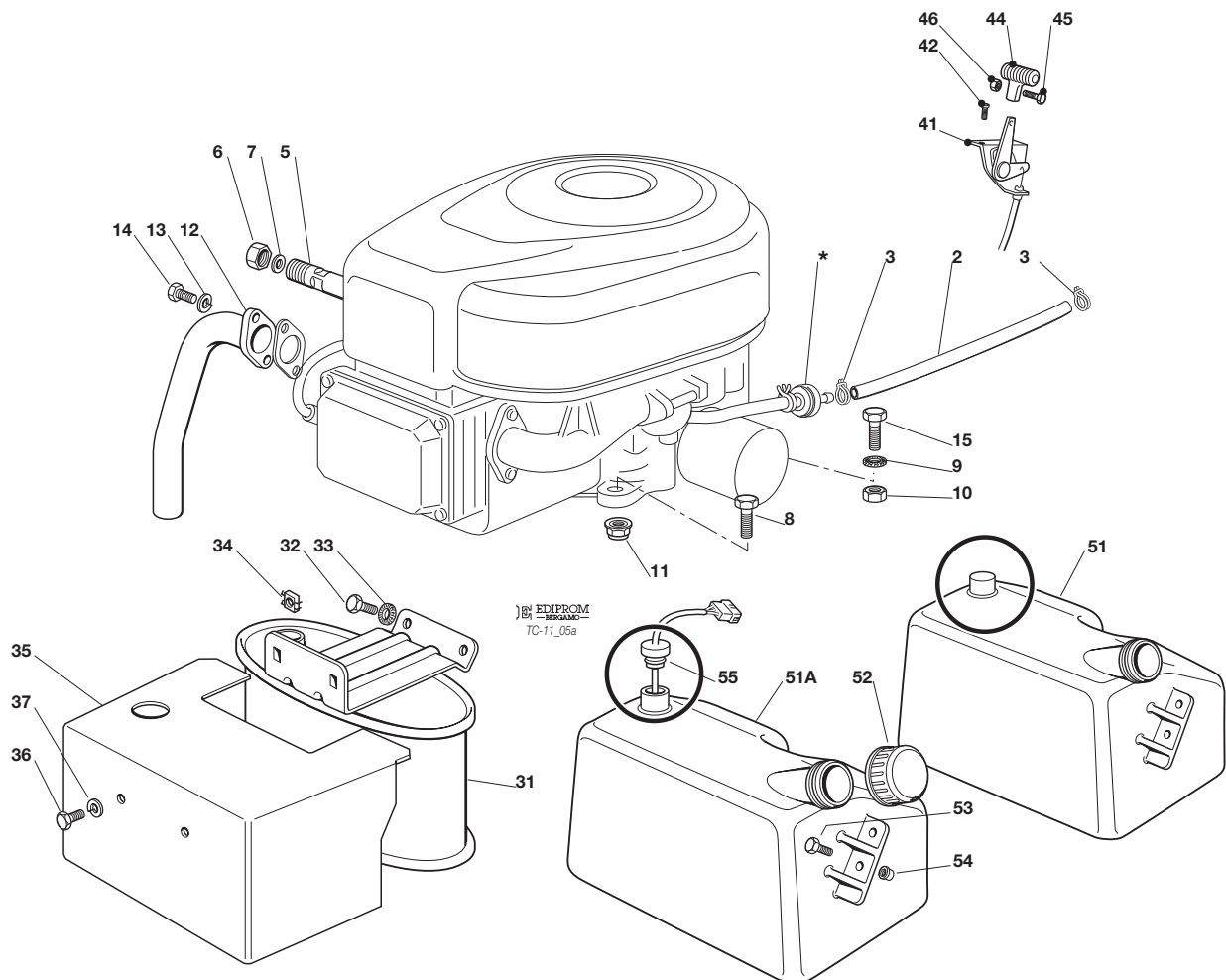
122 hydro


**MOTORE
ENGINE
MOTEUR
MOTOR**
B&S 15,5 - 16,5 - 17,5 - 18,5 HP

2011

6005a.0

1 / 1



N.	CODE	Q.TY	DESCRIZIONE	DESCRIPTION	DESCRIPTION	BESCHREIBUNG
2	25869016/1	1	Tubo Collegamento	Connecting Tube	Tube De Connexion	Verbindungsrohr
3	18375051/1	2	Fascetta	Fair Led	Fixation De Cable	Kabelbefestigung
5	25598050/0	1	Prolunga Scarico Olio	Oil Discharge Extension	Extension Rallonge De	Öl Entlerungsverlaen-
6	18737849/0	1	Tappo Prolunga	Oil Cap	Bouchon Huile	Oelverschluss
7	18401001/1	1	Guarnizione	Oil Seal	Garniture	Dichtung
8	12691100/0	3	Vite	Screw	Vis	Schraube
9	12540260/0	1	Rondella	Washer	Rondelle	Scheibe
10	12154210/0	1	Dado	Nut	Ecrou	Mutter
11	12154210/0	3	Dado	Nut	Ecrou	Mutter
12	18738206/0	1	Tubo Raccordo Scarico	Exhaust Connecting Tube	Tube De Connexion Pour Echappement	Verbindungsrohr Für Abgasung
13	12583500/0	2	Grower	Grower	Grower	Grower
14	12735530/0	2	Vite	Screw	Vis	Schraube
15	12691115/0	1	Vite	Screw	Vis	Schraube
31	182750010/0	1	Silenziatore	Muffler	Silenceux	Auspuff
32	12793102/0	2	Vite	Screw	Vis	Schraube
33	12540260/0	2	Rondella	Washer	Rondelle	Scheibe
34	12360425/0	2	Dado	Nut	Ecrou	Mutter
35	82598009/2	1	Protezione	Guard	Protection	Schutze
36	12792611/0	2	Vite	Screw	Vis	Schraube
37	12583500/0	2	Grower	Grower	Grower	Grower
41	82000200/1	1	Acceleratore	Accelerator	Accelérateur	Gas Zug
42	125943012/0	2	Vite	Screw	Vis	Schraube
44	25394501/0	1	Manopolina	Handle	Poigne	Griff
45	12726388/0	1	Vite	Screw	Vis	Schraube
46	12290800/0	1	Dado	Nut	Ecrou	Mutter
51	25735110/3	1	Serbatoio	Tank	Reservoir	Tank
51A	25735111/3	1	Serbatoio	Tank	Reservoir	Tank
52	25795000/1	1	Tappo	Cap	Bouchon	Tankverschluss
53	12788910/0	2	Vite	Screw	Vis	Schraube
54	12500092/0	2	Rivetto	Rivet	Rivet	Niet
55	25290000/0	1	Indicatore Livello	Fuel Level Indicator	Indicateur Niveau	Kraftstoffmesser

PER LA SOSTITUZIONE DELLE PARTI CONTRASSEGNALE CON «*» RIVOLGERSI AL SERVIZIO ASSISTENZA DEL COSTRUTTORE DEL MOTORE.
 TO REPLACE THE PARTS MARKED «*» SEEK ASSISTANCE FROM THE ENGINE MANUFACTURER'S AFTER SALES SERVICE.
 POUR LE REMPLACEMENT DES PIÈCES MARQUÉES AVEC «*» S'ADRESSER AU SERVICE APRÈS VENTES DU CONSTRUCTEUR DU MOTEUR.
 ZUM AUSTAUSCH DER MIT «*» GEKENNZEICHNETEN TEILE, WENDEN SIE SICH AN DEN KUNDENDIENST DES HERSTELLERS DES MOTOR.

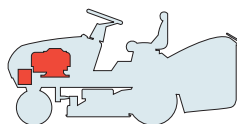


T..

CP CR CB CX CS X S CU

102 hydro

122 hydro



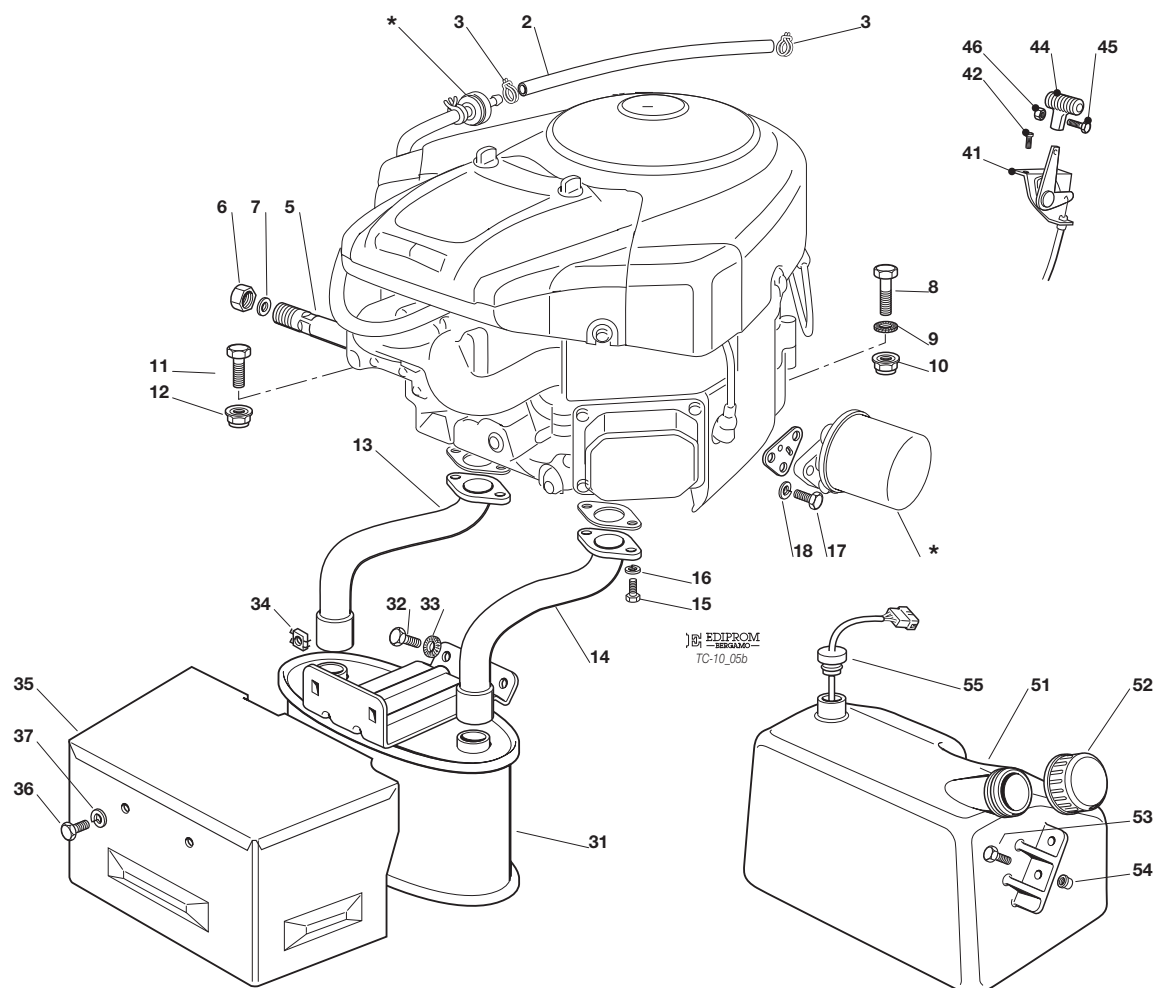
**MOTORE
ENGINE
MOTEUR
MOTOR**
B&S 20 - 22 - 24 HP

BRIGGS & STRATTON

2011

6005b.0

1 / 1



N.	CODE	Q.TY	DESCRIZIONE	DESCRIPTION	DESCRIPTION	BESCHREIBUNG
2	25869016/1	1	Tubo Collegamento	Connecting Tube	Tube De Connexion	Verbindungsrohr
3	18375051/1	2	Fascetta	Fair Led	Fixation De Cable	Kabelbefestigung
5	25598050/0	1	Prolunga Scarico Olio	Oil Discharge Extension	Extension Rallonge De	Öl Entlerungsverlaen-
6	18737849/0	1	Tappo Prolunga	Oil Cap	Bouchon Huile	Oelverschluss
7	18401001/1	1	Guarnizione	Oil Seal	Garniture	Dichtung
8	12691115/0	1	Vite	Screw	Vis	Schraube
9	12540260/0	1	Rondella	Washer	Rondelle	Scheibe
10	12154210/0	1	Dado	Nut	Ecrou	Mutter
11	12691100/0	3	Vite	Screw	Vis	Schraube
12	12154210/0	3	Dado	Nut	Ecrou	Mutter
13	18738214/0	1	Tubo Scarico Destro	Exhaust Tube Right	Tube Echappement Droit	Abgasrohr, Rechte
14	18738215/0	1	Tubo Scarico Sinistro	Exhaust Tube Left	Tube Echappement Gau.	Abgasrohr, Linke
15	12735530/0	4	Vite	Screw	Vis	Schraube
16	12583500/0	4	Grower	Grower	Grower	Grower
17	12791400/0	3	Vite	Screw	Vis	Schraube
18	12582100/0	3	Grower	Grower	Grower	Grower
31	82750003/0	1	Silenziatore	Muffler	Silenceux	Auspuff
32	12793102/0	2	Vite	Screw	Vis	Schraube
33	12540260/0	2	Rondella	Washer	Rondelle	Scheibe
34	12360425/0	2	Dado	Nut	Ecrou	Mutter
35	82598005/2	1	Protezione	Guard	Protection	Schutze
36	12792611/0	2	Vite	Screw	Vis	Schraube
37	12583500/0	2	Grower	Grower	Grower	Grower
41	82000211/1	1	Acceleratore	Accelerator	Accelérateur	Gas Zug
42	125943012/0	2	Vite	Screw	Vis	Schraube
44	25394501/0	1	Manopolina	Handle	Poigne	Griff
45	12726388/0	1	Vite	Screw	Vis	Schraube
46	12290800/0	1	Dado	Nut	Ecrou	Mutter
51	25735111/3	1	Serbatoio	Tank	Reservoir	Tank
52	25795000/1	1	Tappo	Cap	Bouchon	Tankverschluss
53	12788910/0	2	Vite	Screw	Vis	Schraube
54	12500092/0	2	Rivetto	Rivet	Rivet	Niet
55	25290000/0	1	Indicatore Livello	Fuel Level Indicator	Indicateur Niveau	Kraftstoffmesser

PER LA SOSTITUZIONE DELLE PARTI CONTRASSEGNALE CON «*» RIVOLGERSI AL SERVIZIO ASSISTENZA DEL COSTRUTTORE DEL MOTORE.
 TO REPLACE THE PARTS MARKED «*» SEEK ASSISTANCE FROM THE ENGINE MANUFACTURER'S AFTER SALES SERVICE.
 POUR LE REMPLACEMENT DES PIÈCES MARQUÉES AVEC «*» S'ADRESSER AU SERVICE APRÈS VENTES DU CONSTRUCTEUR DU MOTEUR.
 ZUM AUSTAUSCH DER MIT «*» GEKENNZEICHNETEN TEILE, WENDEN SIE SICH AN DEN KUNDENDIENST DES HERSTELLERS DES MOTOR.

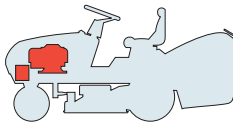


T..

CP CR CB CX CS X S CU

102 hydro

122 hydro

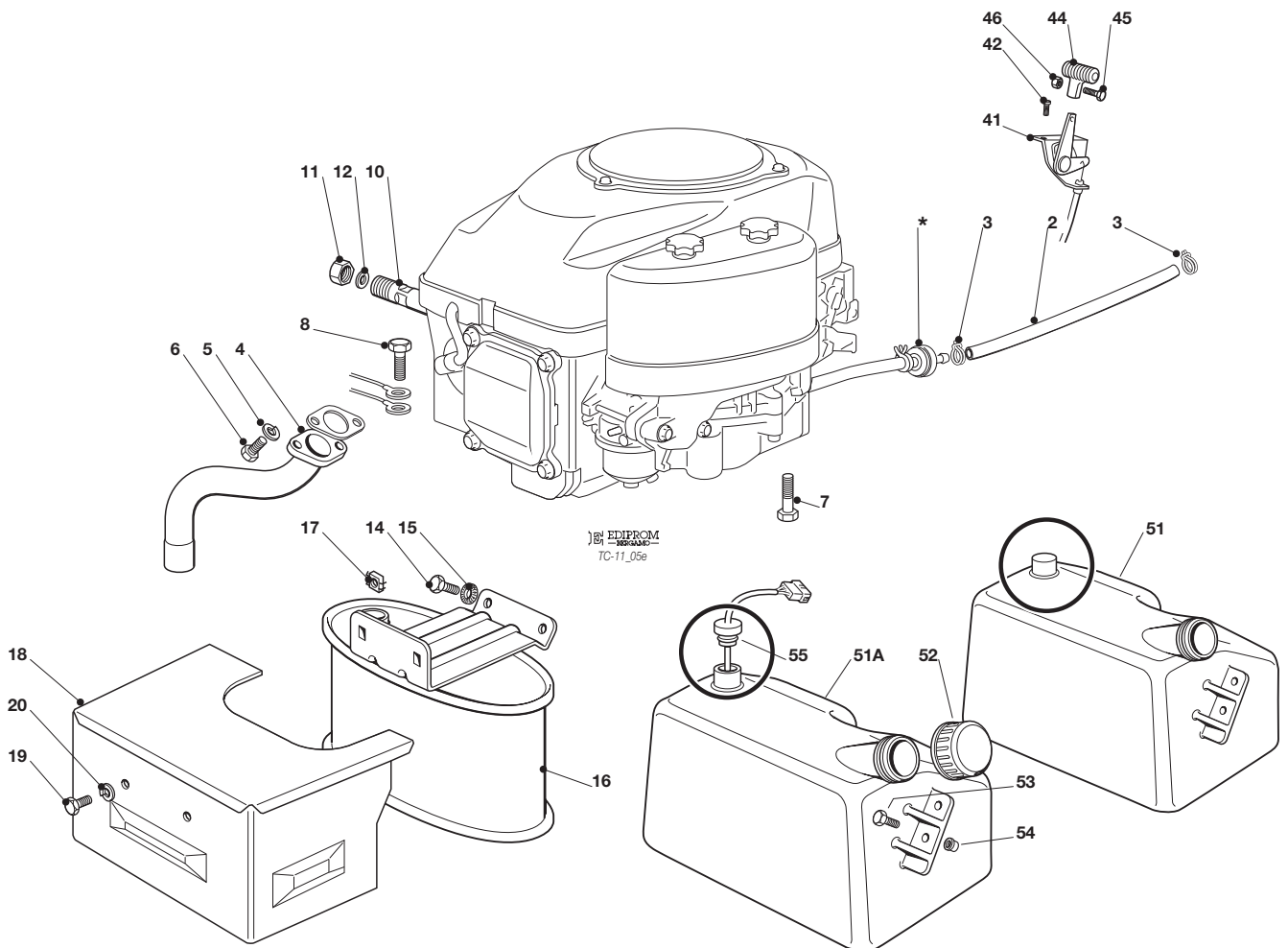

MOTORE
ENGINE
MOTEUR
MOTOR

GGP ENGINE 13,5-14-14,5-16 HP

2011

6005e.0

1 / 1



N.	CODE	Q.TY	DESCRIZIONE	DESCRIPTION	DESCRIPTION	BESCHREIBUNG
2	25869057/0	1	Tubo Collegamento (1000 Mm)	Connecting Tube (1000 Mm)	Tube De Connexion (1000 Mm)	Verbindungsrohr (1000 Mm)
3	18375051/1	4	Fascetta	Fair Led	Fixation De Cable	Kabelbefestigung
4	118738231/1	1	Tubo Scarico	Exhaust Tube	Tube Echappement	Abgasrohr
5	12583500/0	2	Grower	Grower	Grower	Grower
6	12737450/0	2	Vite	Screw	Vis	Schraube
7	112735108/1	4	Vite	Screw	Vis	Schraube
8	12735599/0	1	Vite	Screw	Vis	Schraube
10	27598060/0	1	Prolunga Scarico Olio	Oil Discharge Extension	Extension Dech. Huile	Öl Abfluss
11	1837849/0	1	Tappo Prolunga	Oil Cap	Bouchon Huile	Oelverschluss
12	18401001/1	1	Guarnizione	Oil Seal	Garniture	Dichtung
14	12793102/0	2	Vite	Screw	Vis	Schraube
15	12540260/0	2	Rondella	Washer	Rondelle	Scheibe
16	182750010/0	1	Silenziatore	Muffler	Silenceux	Auspuff
17	12360425/0	2	Dado	Nut	Ecrou	Mutter
18	382598039/0	1	Protezione	Guard	Protection	Schutze
19	12792611/0	2	Vite	Screw	Vis	Schraube
20	12583500/0	2	Grower	Grower	Grower	Grower
41	182000212/0	1	Acceleratore	Accelerator	Accelateur	Gas Zug
42	125943012/0	2	Vite	Screw	Vis	Schraube
44	25394501/0	1	Manopolina	Handle	Poigne	Griff
45	12726388/0	1	Vite	Screw	Vis	Schraube
46	12290800/0	1	Dado	Nut	Ecrou	Mutter
51	25735110/3	1	Serbatoio	Tank	Reservoir	Tank
51A	25735111/3	1	Serbatoio	Tank	Reservoir	Tank
52	25795000/1	1	Tappo	Cap	Bouchon	Tankverschluss
53	12788910/0	2	Vite	Screw	Vis	Schraube
54	12500092/0	2	Rivetto	Rivet	Rivet	Niet
55	25290000/0	1	Indicatore Livello	Fuel Level Indicator	Indicateur Niveau	Kraftstoffmesser

PER LA SOSTITUZIONE DELLE PARTI CONTRASSEGNALE CON «*» RIVOLGERSI AL SERVIZIO ASSISTENZA DEL COSTRUTTORE DEL MOTORE.
 TO REPLACE THE PARTS MARKED «*» SEEK ASSISTANCE FROM THE ENGINE MANUFACTURER'S AFTER SALES SERVICE.
 POUR LE REMPLACEMENT DES PIÈCES MARQUÉES AVEC «*» S'ADRESSER AU SERVICE APRÈS VENTES DU CONSTRUCTEUR DU MOTEUR.
 ZUM AUSTAUSCH DER MIT «*» GEKENNZEICHNETEN TEILE, WENDEN SIE SICH AN DEN KUNDENDIENST DES HERSTELLERS DES MOTOR.

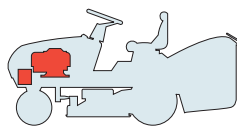


T..

CP CR CB CX CS X S CU

102 hydro

122 hydro

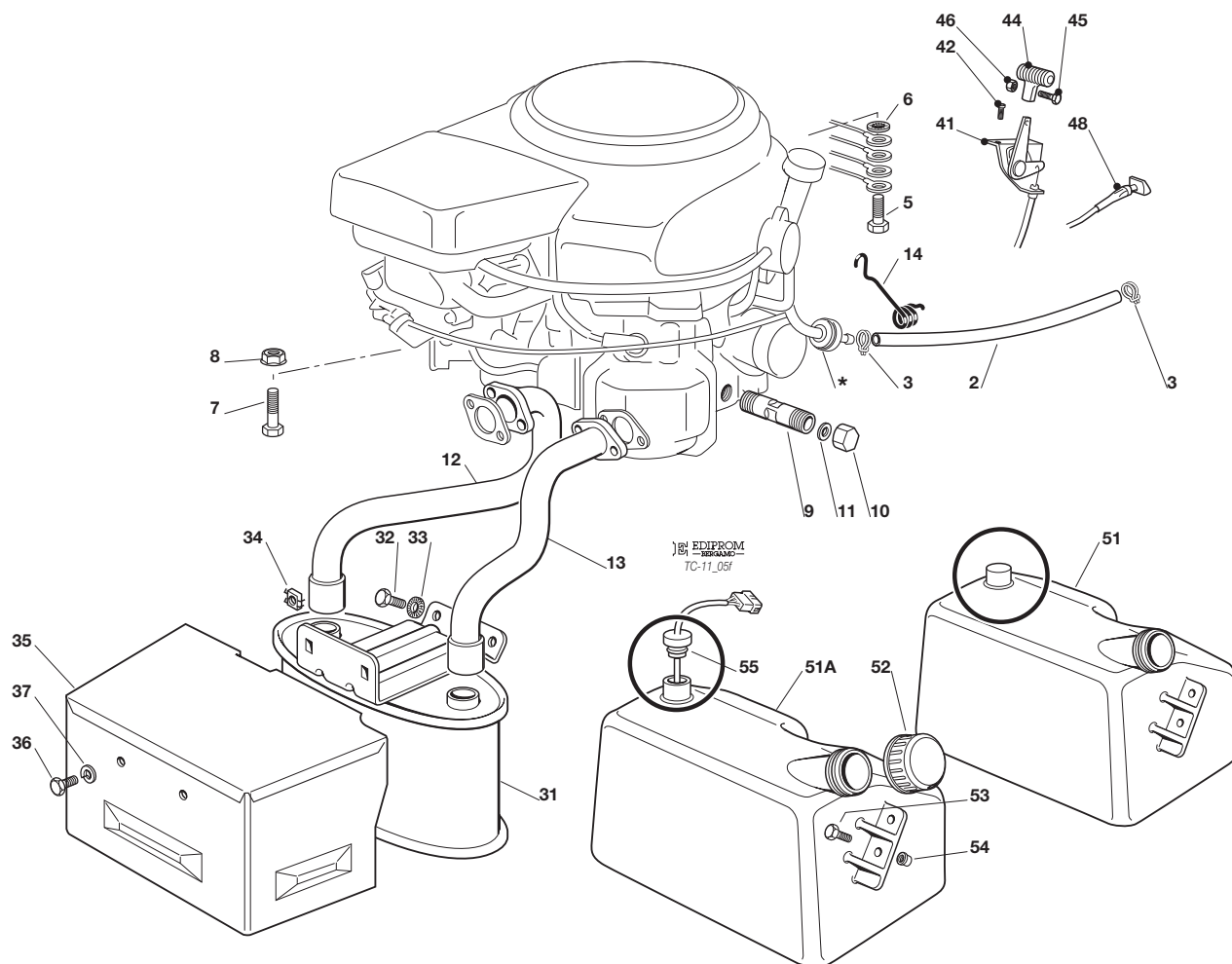


MOTORE
ENGINE
MOTEUR
MOTOR
HONDA GCV 530

POWERED by
HONDA

2011
6005f.0

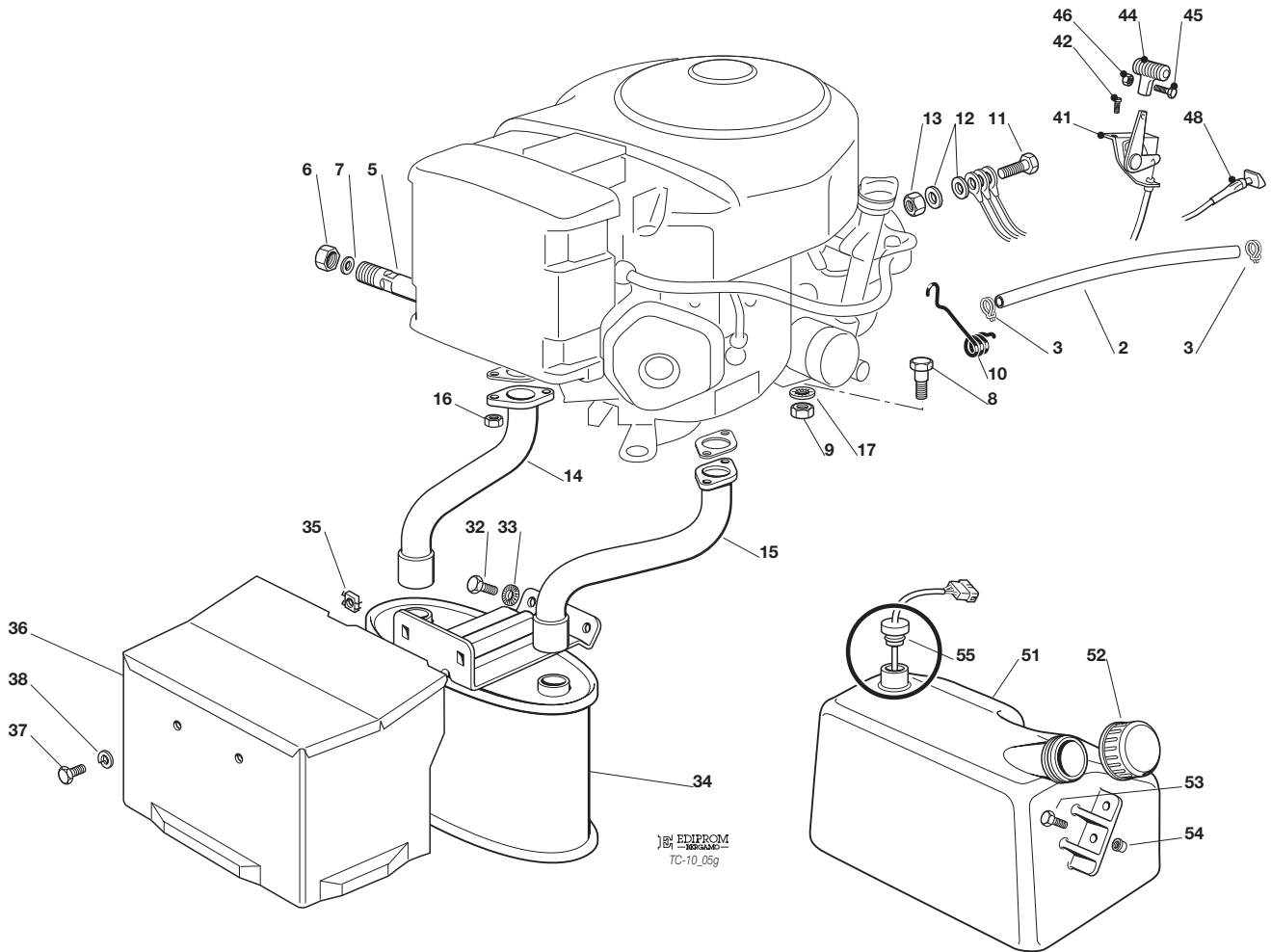
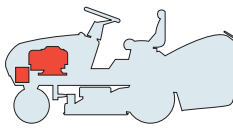
1 / 1



N.	CODE	Q.TY	DESCRIZIONE	DESCRIPTION	DESCRIPTION	BESCHREIBUNG
2	25869027/1	1	Tubo Collegamento	Connecting Tube	Tube De Connexion	Verbindungsrohr
3	18375051/1	2	Fascetta	Fair Led	Fixation De Cable	Kabelbefestigung
5	12735599/0	1	Vite	Screw	Vis	Schraube
6	12540260/0	1	Rondella	Washer	Rondelle	Scheibe
7	12691115/0	4	Vite	Screw	Vis	Schraube
8	12154210/0	4	Dado	Nut	Ecrou	Mutter
9	25598052/0	1	Prolunga Scarico Olio	Oil Discharge Extension	Extension Dech. Huile	Öl Abfluss
10	18737849/0	1	Tappo Prolunga	Oil Cap	Bouchon Huile	Oelverschluss
11	18401001/1	1	Guarnizione	Oil Seal	Garniture	Dichtung
12	18738221/0	1	Tubo Scarico Destro	Exhaust Tube Right	Tube Echappement Droit	Abgasungrohr, Rechte
13	18738222/0	1	Tubo Scarico Sinistro	Exhaust Tube Left	Tube Echappement Gau.	Abgasungrohr, Linke
14	27430562/0	1	Molla	Spring	Ressort	Feder
31	82750003/0	1	Silenziatore	Muffler	Silenceux	Auspuff
32	12793102/0	2	Vite	Screw	Vis	Schraube
33	12540260/0	2	Rondella	Washer	Rondelle	Scheibe
34	12360425/0	2	Dado	Nut	Ecrou	Mutter
35	82598005/2	1	Protezione	Guard	Protection	Schutze
36	12792611/0	2	Vite	Screw	Vis	Schraube
37	12583500/0	2	Grower	Grower	Grower	Grower
41	82000201/2	1	Acceleratore	Accelerator	Accelérateur	Gas Zug
42	125943012/0	2	Vite	Screw	Vis	Schraube
44	25394501/0	1	Manopolina	Handle	Poigne	Griff
45	12726388/0	1	Vite	Screw	Vis	Schraube
46	12290800/0	1	Dado	Nut	Ecrou	Mutter
48	25090001/2	1	Comando Starter	Choke Control	Commande Starter	Starter Betaetigung
51	25735110/3	1	Serbatoio	Tank	Reservoir	Tank
51A	25735111/3	1	Serbatoio	Tank	Reservoir	Tank
52	25795000/1	1	Tappo	Cap	Bouchon	Tankverschluss
53	12788910/0	2	Vite	Screw	Vis	Schraube
54	12500092/0	2	Rivetto	Rivet	Rivet	Niet
55	25290000/0	1	Indicatore Livello	Fuel Level Indicator	Indicateur Niveau	Kraftstoffmesser

PER LA SOSTITUZIONE DELLE PARTI CONTRASSEGNALE CON «*» RIVOLGERSI AL SERVIZIO ASSISTENZA DEL COSTRUTTORE DEL MOTORE.
TO REPLACE THE PARTS MARKED «*» SEEK ASSISTANCE FROM THE ENGINE MANUFACTURER'S AFTER SALES SERVICE.
POUR LE REMPLACEMENT DES PIÈCES MARQUÉES AVEC «*» S'ADRESSER AU SERVICE APRÈS VENTES DU CONSTRUCTEUR DU MOTEUR.
ZUM AUSTAUSCH DER MIT «*» GEKENNZEICHNETEN TEILE, WENDEN SIE SICH AN DEN KUNDENDIENST DES HERSTELLERS DES MOTOR.

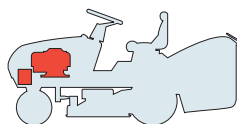




N.	CODE	Q.TY	DESCRIZIONE	DESCRIPTION	DESCRIPTION	BESCHREIBUNG
2	25869033/1	1	Tubo Collegamento	Connecting Tube	Tube De Connexion	Verbindungsrohr
3	18375051/1	2	Fascetta	Fair Led	Fixation De Cable	Kabelbefestigung
5	27598061/1	1	Prolunga Scarico Olio	Oil Discharge Extension	Extension Rallonge De	Öl Entlerungsverlaen-
6	18737849/0	1	Tappo Prolunga	Oil Cap	Bouchon Huile	Oelverschluss
7	18401001/1	1	Guarnizione	Oil Seal	Garniture	Dichtung
8	25510028/1	4	Vite	Screw	Vis	Schraube
9	12154210/0	4	Dado	Nut	Ecrou	Mutter
10	27430561/0	1	Molla	Spring	Ressort	Feder
11	12691115/0	1	Vite	Screw	Vis	Schraube
12	12521350/0	2	Rondella	Washer	Rondelle	Scheibe
13	12293201/0	1	Dado	Nut	Ecrou	Mutter
14	18738219/0	1	Tubo Scarico Destro	Exhaust Tube Right	Tube Echappement Droit	Abgasungrohr, Rechte
15	18738220/0	1	Tubo Scarico Sinistro	Exhaust Tube Left	Tube Echappement Gau.	Abgasungrohr, Linke
16	12293201/0	4	Dado	Nut	Ecrou	Mutter
17	12540260/0	1	Rondella	Washer	Rondelle	Scheibe
32	12793102/0	2	Vite	Screw	Vis	Schraube
33	12540260/0	2	Rondella	Washer	Rondelle	Scheibe
34	82750003/0	1	Silenziatore	Muffler	Silenceux	Auspuff
35	12360425/0	2	Dado	Nut	Ecrou	Mutter
36	82598015/1	1	Protezione	Guard	Protection	Schutze
37	12792611/0	2	Vite	Screw	Vis	Schraube
38	12583500/0	2	Grower	Grower	Grower	Grower
41	82000201/2	1	Acceleratore	Accelerator	Accelérateur	Gas Zug
42	125943012/0	2	Vite	Screw	Vis	Schraube
44	25394501/0	1	Manopolina	Handle	Poigne	Griff
45	12726388/0	1	Vite	Screw	Vis	Schraube
46	12290800/0	1	Dado	Nut	Ecrou	Mutter
48	25090001/2	1	Comando Starter	Choke Control	Commande Starter	Starter Betaetigung
51	25735110/3	1	Serbatoio	Tank	Reservoir	Tank
51	25735111/3	1	Serbatoio	Tank	Reservoir	Tank
52	25795000/1	1	Tappo	Cap	Bouchon	Tankverschluss
53	12788910/0	2	Vite	Screw	Vis	Schraube
54	12500092/0	2	Rivetto	Rivet	Rivet	Niet
55	25290000/0	1	Indicatore Livello	Fuel Level Indicator	Indicateur Niveau	Kraftstoffmesser
56	25090001/1	1	Comando Starter	Choke Control	Commande Starter	Starter Betaetigung



T..	CP	CR	CB	CX	CS	X	S	CU
	102 hydro				122 hydro			

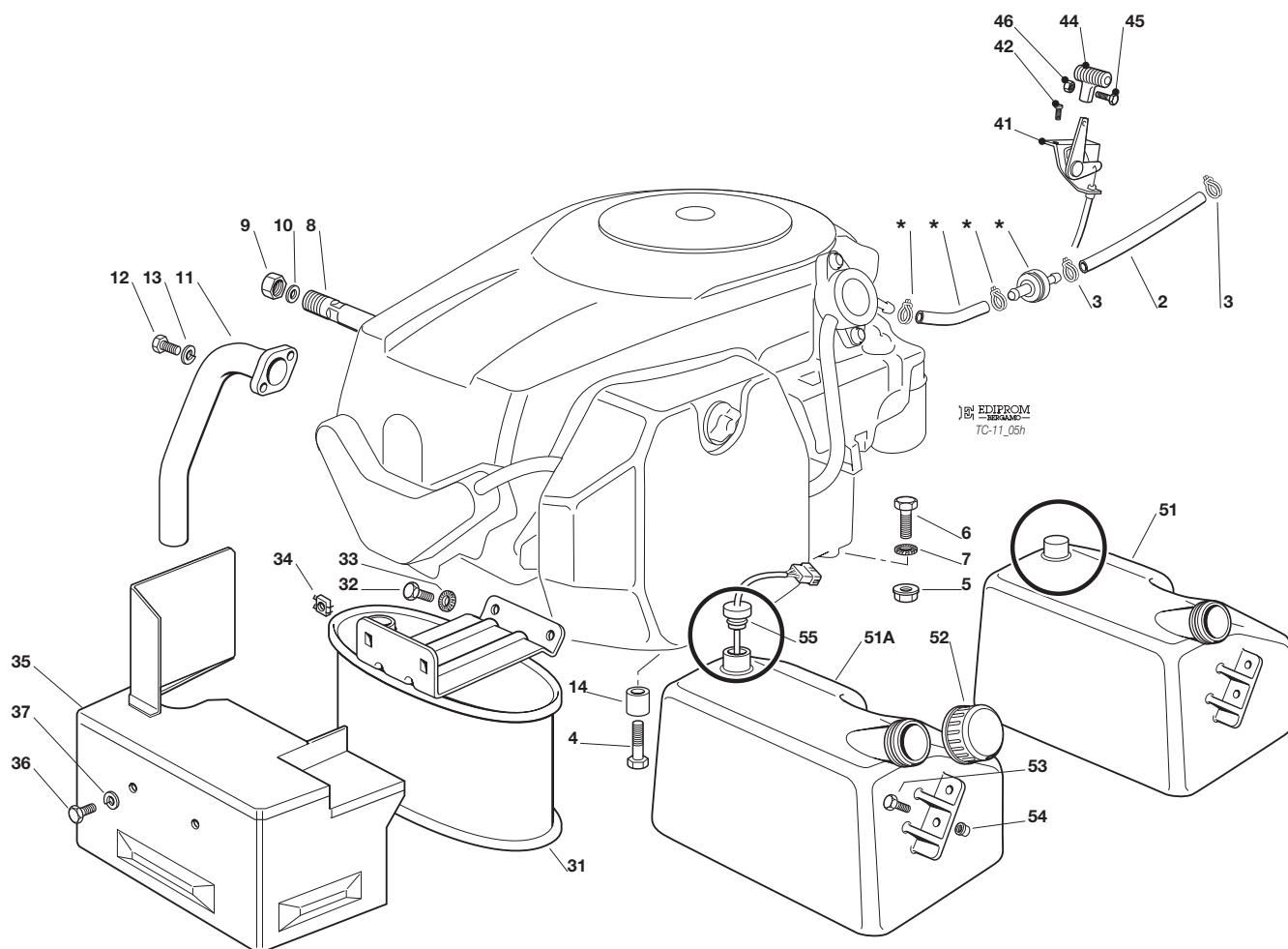


**MOTORE
ENGINE
MOTEUR
MOTOR**
KOHLER 16 - 18 HP

KOHLER®

2011
6005h.0

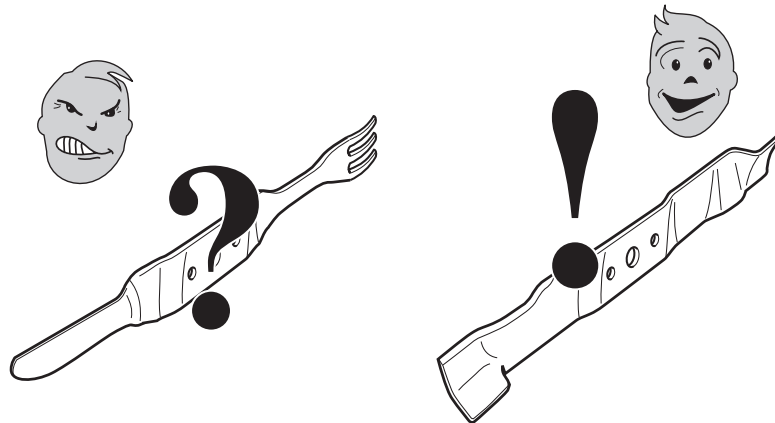
1 / 1



N.	CODE	Q.TY	DESCRIZIONE	DESCRIPTION	DESCRIPTION	BESCHREIBUNG
2	25869016/1	1	Tubo	Tube	Tube	Rohr
3	18375051/1	2	Fascetta	Fair Led	Fixation De Cable	Kabelbefestigung
4	112735108/1	3	Vite	Screw	Vis	Schraube
5	12154210/0	1	Dado	Nut	Ecrou	Mutter
6	12691115/0	1	Vite	Screw	Vis	Schraube
7	12540260/0	1	Rondella	Washer	Rondelle	Scheibe
8	27598060/0	1	Prolunga Scarico Olio	Oil Discharge Extension	Extension Dech. Huile	Öl Abfluss
9	18737849/0	1	Tappo Prolunga	Oil Cap	Bouchon Huile	Oelverschluss
10	18401001/1	1	Guarnizione	Oil Seal	Garniture	Dichtung
11	18738227/0	1	Tubo Scarico	Exaust Tube	Tube Echappement	Abgasrohr
12	12735530/0	2	Vite	Screw	Vis	Schraube
13	12583500/0	2	Grower	Grower	Grower	Grower
14	25160035/0	3	Distanziale	Spacer	Entretoise	Entfernungsstück
31	182750010/0	1	Silenziatore	Muffler	Silenceux	Auspuff
32	12793102/0	2	Vite	Screw	Vis	Schraube
33	12540260/0	2	Rondella	Washer	Rondelle	Scheibe
34	12360425/0	2	Dado	Nut	Ecrou	Mutter
35	82598029/0	1	Protezione	Guard	Protection	Schutze
36	12792611/0	2	Vite	Screw	Vis	Schraube
37	12583500/0	2	Grower	Grower	Grower	Grower
41	82000200/1	1	Acceleratore	Accelerator	Accelérateur	Gas Zug
42	125943012/0	2	Vite	Screw	Vis	Schraube
44	25394501/0	1	Manopolina	Handle	Poigne	Griff
45	12726388/0	1	Vite	Screw	Vis	Schraube
46	12290800/0	1	Dado	Nut	Ecrou	Mutter
51	25735110/3	1	Serbatoio	Tank	Reservoir	Tank
51A	25735111/3	1	Serbatoio	Tank	Reservoir	Tank
52	25795000/1	1	Tappo	Cap	Bouchon	Tankverschluss
53	12788910/0	2	Vite	Screw	Vis	Schraube
54	12500092/0	2	Rivetto	Rivet	Rivet	Niet
55	25290000/0	1	Indicatore Livello	Fuel Level Indicator	Indicateur Niveau	Kraftstoffmesser

PER LA SOSTITUZIONE DELLE PARTI CONTRASSEGNALE CON «*» RIVOLGERSI AL SERVIZIO ASSISTENZA DEL COSTRUTTORE DEL MOTORE.
TO REPLACE THE PARTS MARKED «*» SEEK ASSISTANCE FROM THE ENGINE MANUFACTURER'S AFTER SALES SERVICE.
POUR LE REMPLACEMENT DES PIÈCES MARQUÉES AVEC «*» S'ADRESSER AU SERVICE APRÈS VENTES DU CONSTRUCTEUR DU MOTEUR.
ZUM AUSTAUSCH DER MIT «*» GEKENNZEICHNETEN TEILE, WENDEN SIE SICH AN DEN KUNDENDIENST DES HERSTELLERS DES MOTOR.





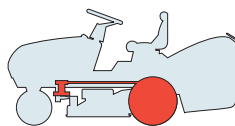
USARE SOLO RICAMBI ORIGINALI!
USE ONLY GENUINE SPARE PARTS!
UTILISER DES PIÈCES DE RECHANGE D'ORIGINE!
NUR ORIGINALERSATZTEILE VERWENDEN!

T..

CP CR CB CX CS X S CU

102 hydro

122 hydro

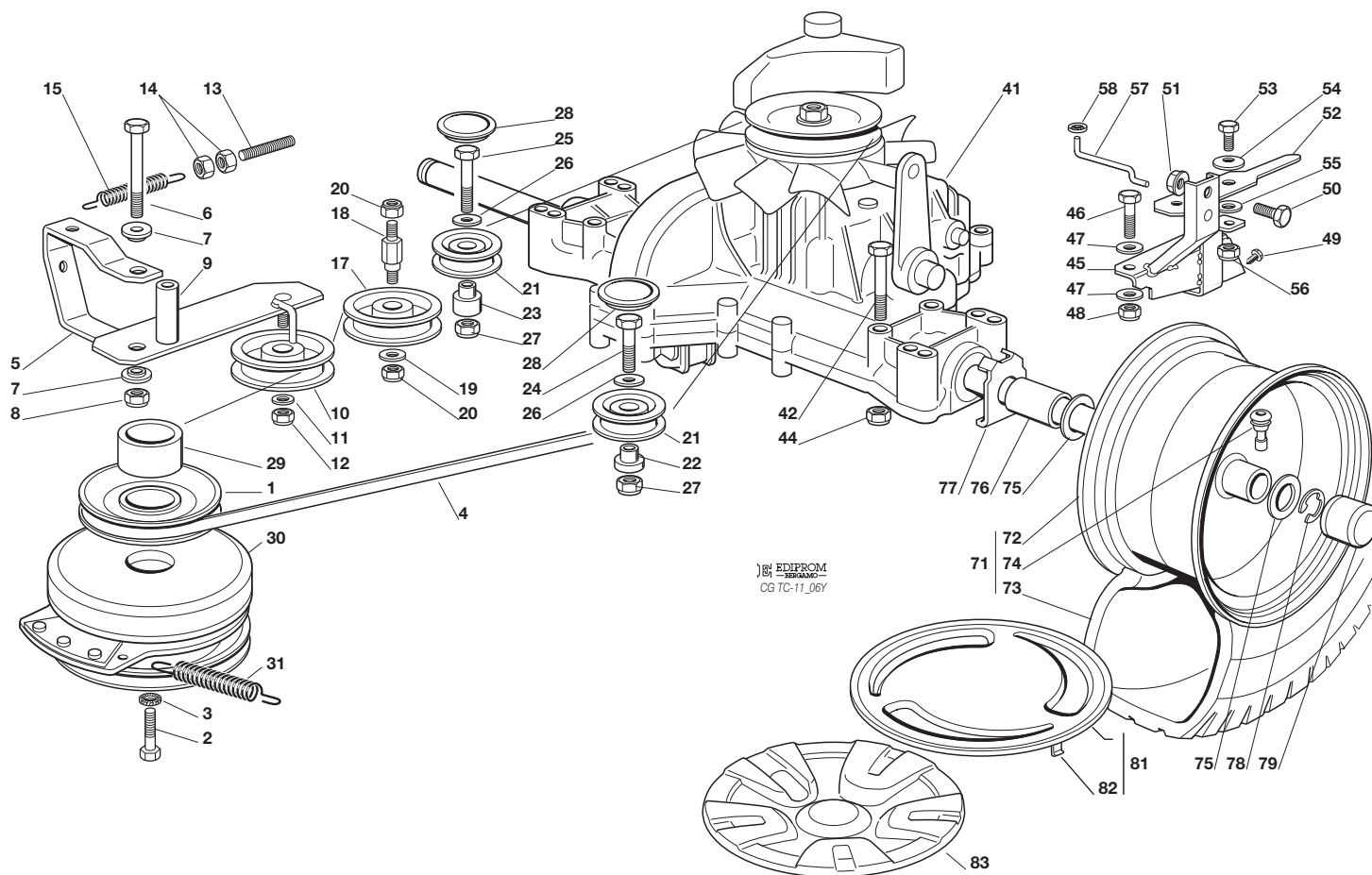


TRASMISSIONE
TRANSMISSION
TRANSMISSION
GETRIEBE

2011

6006Y.1

1 / 2



N.	CODE	Q.TY	DESCRIZIONE	DESCRIPTION	DESCRIPTION	BESCHREIBUNG
1	25601566/0	1	Puleggia	Pulley	Poulie	Riemenscheibe
2	12737320/0	1	Vite	Screw	Vis	Schraube
3	12543000/0	1	Rosetta	Washer	Rondelle	Scheibe
4	35062001/0	1	Cinghia	Belt	Courroie	Riemen
5	82318165/1	1	Leva	Lever	Levier	Hebel
6	12793905/0	1	Vite	Screw	Vis	Schraube
7	25038002/1	2	Boccola	Bush	Douille	Büchse
8	12155000/0	1	Dado	Nut	Ecrou	Mutter
9	25160027/0	1	Distanziale	Spacer	Entretoise	Entfernungsstück
10	25601554/0	1	Puleggia	Pulley	Poulie	Riemenscheibe
11	12523060/0	1	Rondella	Washer	Rondelle	Scheibe
12	12155000/0	1	Dado	Nut	Ecrou	Mutter
13	25840010/1	1	Tirante	Tie Rod	Tirant	Spannstange
14	12293200/0	2	Dado	Nut	Ecrou	Mutter
15	25430219/0	1	Molla	Spring	Ressort	Feder
17	25601555/0	1	Puleggia	Pulley	Poulie	Riemenscheibe
18	25510036/1	1	Perno	Pin	Pivot	Bolzen
19	12523060/0	1	Rondella	Washer	Rondelle	Scheibe
20	12155000/0	2	Dado	Nut	Ecrou	Mutter
21	325601570/1	2	Puleggia	Pulley	Poulie	Riemenscheibe
22	125160030/2	1	Distanziale Sinistro	Left Spacer	Entretoise Gauche	Linker Abstandsstück
23	125160024/2	1	Distanziale Lungo	Long Spacer	Entretoise Longue	Lang Abstandsstück
24	12691115/0	1	Vite	Right Screw	Vis	Schraube
25	12691400/0	1	Vite	Right Screw	Vis	Schraube
26	12523060/0	2	Rondella	Washer	Rondelle	Scheibe
27	12155000/0	2	Dado	Nut	Ecrou	Mutter
28	25109521/1	2	Coperchio	Cover	Couvercle	Deckel
29	25160021/0	1	Distanziale	Spacer	Entretoise	Entfernungsstück
30	118399062/0	1	Frizione	Clutc	Embrajage	Kupplung
31	125430210/1	1	Molla	Spring	Ressort	Feder





N.	CODE	Q.TY	DESCRIZIONE	DESCRIPTION	DESCRIPTION	BESCHREIBUNG
41	18400950/1	1	Asse Posteriore Tuff Torq K46F	Rear Axle Tuff Torq K46F	Axe Arriere Tuff Torq K46F	Hinterachse Tuff Torq K46F
42	12691800/0	4	Vite	Screw	Vis	Schraube
44	12154210/0	4	Dado	Nut	Ecrou	Mutter
45	82785109/0	1	Supporto	Support	Support	Halter
46	12691200/0	1	Vite	Screw	Vis	Schraube
47	12521350/0	2	Rondella	Washer	Rondelle	Scheibe
48	12155000/0	1	Dado	Nut	Ecrou	Mutter
49	12735120/0	2	Vite	Screw	Vis	Schraube
50	12792611/0	1	Vite	Screw	Vis	Schraube
51	12293201/0	1	Dado	Nut	Ecrou	Mutter
52	25318157/0	1	Leva	Lever	Levier	Hebel
53	12793102/0	1	Vite	Screw	Vis	Schraube
54	12369500/0	1	Disco Elastico	Elastic Washer	Disque Elastique	Federscheibe
55	25670011/0	1	Rondella	Washer	Rondelle	Scheibe
56	12155000/0	1	Dado	Nut	Ecrou	Mutter
57	25033033/0	1	Asta	Rod	Barre	Stange
58	12604896/0	1	Fissatore A Corona	Crown Fastener	Fixateur A Couronne	Kronescheibe
71	82680006/0	2	Ruota Posteriore	Rear Wheel	Roue Arriere	Hinterrad
72	82000592/0	2	Cerchio Ruota	Rimm	Bandage Roue	Hinterrad Felger
73	25590003/0	2	Pneumatico	Shoe	Pneu	Reifen
74	25950000/0	2	Valvola	Valve	Soupape	Ventil
75	25670005/1	4	Rondella	Washer	Rondelle	Scheibe
76	25160023/0	2	Distanziale	Spacer	Entretoise	Entfernungsstück
77	325670025/0	2	Rondella	Washer	Rondelle	Scheibe
78	12001010/0	2	Anello Elastico	Snap Ring	Anneau Ressort	Sprengring
79	22110230/0	2	Coprizzo	Hub Cover	Couvre Moyeu	Nabendeckel
81	82110253/0	2	Copriruota Posteriore	Rear Wheel Deck	Couvre Roue Post.	Hinterraddeckel
82	25430209/0	8	Molla Aggancio	Spring	Ressort	Feder
83	82110275/0	2	Copriruota Post. (Tcx - Tx)	Rear Wheel Deck (Tcx - Tx)	Couvre Roue Post. (Tcx - Tx)	Hinterraddeckel (Tcx - Tx)

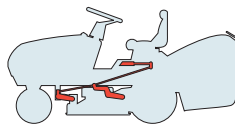


T..

CP CR CB CX CS X S CU

102 hydro

122 hydro

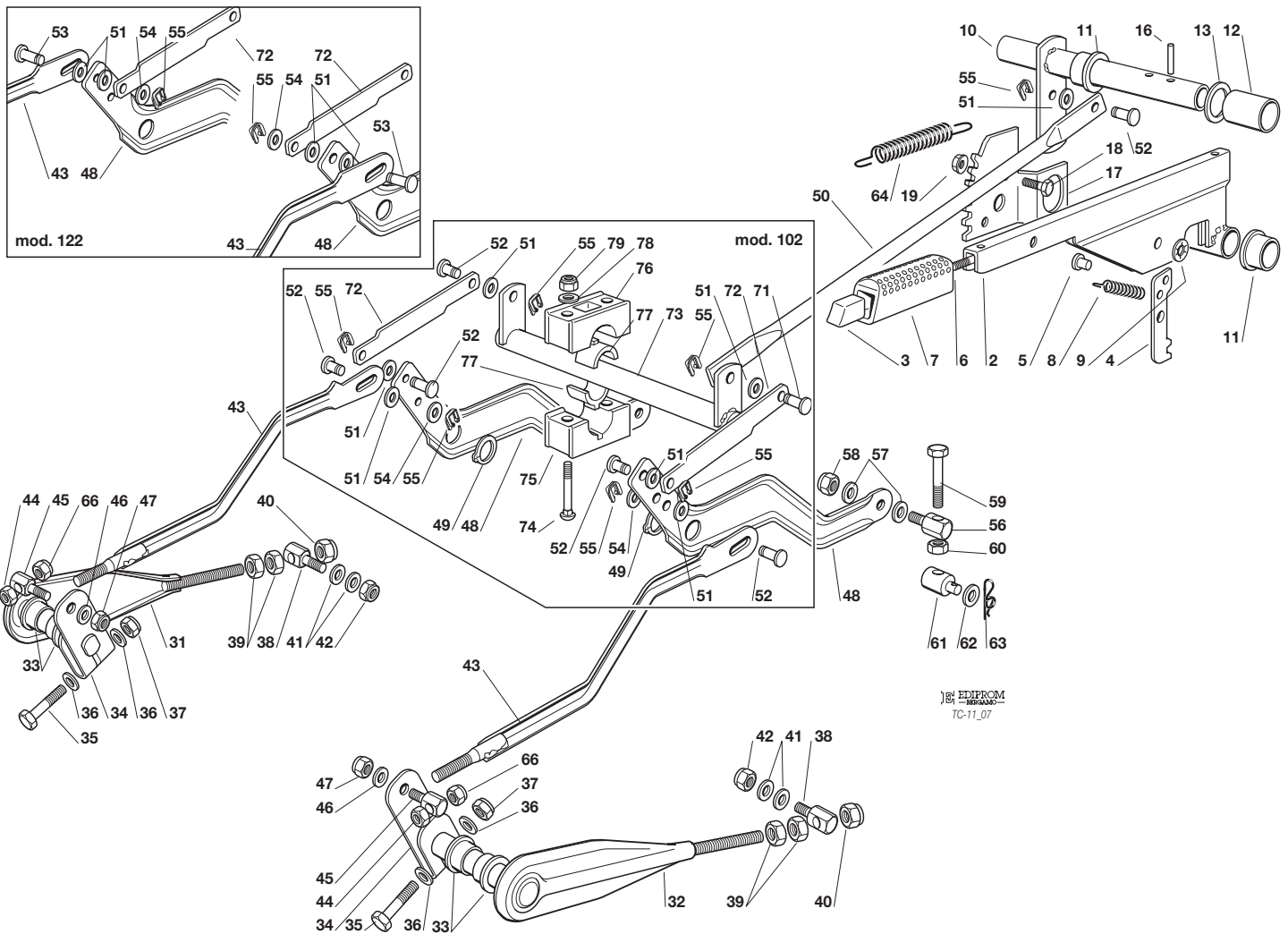


SOLLEVAMENTO PIATTO DI TAGLIO
CUTTING PLATE LIFTING
SOULEVEMENT PLATEAU DE COUPE
SCHNEIDWERKZEUG AUFHEBESATZ

2011

6007.0

1 / 2



EDIPROM
 TC-11_07

N.	CODE	Q.TY	DESCRIZIONE	DESCRIPTION	DESCRIPTION	BESCHREIBUNG
2	82318139/0	1	Leva	Lever	Levier	Hebel
3	25605000/1	1	Pulsante	Button	Poussoir	Druckknopf
4	25470901/0	1	Nasello	Dog	Declic	Nase
5	25510011/0	1	Perno	Pin	Pivot	Bolzen
6	25033002/0	1	Asta	Rod	Tige	Stab
7	325394536/0	1	Manopola	Knob	Poignee	Griff
8	25430208/0	1	Molla	Spring	Ressort	Feder
9	12604899/0	1	Fissatore A Corona	Crown Fastener	Fixateur A Couronne	Kronescheibe
10	382000551/0	1	Asse	Axle	Axe	Achse
11	22034523/0	2	Boccola	Bush	Douille	Büchse
12	25160025/0	1	Distanziale	Spacer	Entretoise	Entfernungsstück
13	22672153/0	1	Rondella	Washer	Rondelle	Scheibe
16	12620206/0	2	Spina	Pin	Goupille	Stift
17	25735506/1	1	Settore	Sector	Secteur	Sektor
18	12792611/0	2	Vite	Screw	Vis	Schraube
19	12293201/0	2	Dado	Nut	Ecrou	Mutter
31	82318155/0	1	Leva Anter. Destra (Mod. 102)	Front Right Lever (Mod. 102)	Levier Ant. Droite (Mod. 102)	Rechter Vorderhebel (Mod. 102)
31	82318159/0	1	Leva Anter. Destra (Mod. 122)	Front Right Lever (Mod. 122)	Levier Ant. Droite (Mod. 122)	Rechter Vorderhebel (Mod. 122)
32	82318157/0	1	Leva Anter. Sinistra (Mod. 102)	Front Left Lever (Mod. 102)	Levier Ant. Gauche (Mod. 102)	Linker Vorderhebel (Mod. 102)
32	82318161/0	1	Leva Anter. Sinistra (Mod. 122)	Front Left Lever (Mod. 122)	Levier Ant. Gauche (Mod. 122)	Linker Vorderhebel (Mod. 122)
33	25040605/0	4	Bussola	Bush	Douille	Büchse
34	25318161/0	2	Leva	Lever	Levier	Hebel
35	12691700/0	2	Vite	Screw	Vis	Schraube
36	12521350/0	4	Rondella	Washer	Rondelle	Scheibe
37	12155000/0	2	Dado	Nut	Ecrou	Mutter
38	25510056/0	2	Perno	Pin	Pivot	Bolzen
39	12295200/0	4	Dado	Nut	Ecrou	Mutter
40	12156602/0	2	Dado	Nut	Ecrou	Mutter





N.	CODE	Q.TY	DESCRIZIONE	DESCRIPTION	DESCRIPTION	BESCHREIBUNG
41	25670008/1	4	Rondella	Washer	Rondelle	Scheibe
42	12156602/0	2	Dado	Nut	Ecrou	Mutter
43	82000477/2	2	Asta Collegamento	Connecting Rod	Tige De Connexion	Verbindungsstab
44	12155000/0	2	Dado	Nut	Ecrou	Mutter
45	125510055/1	2	Perno	Pin	Pivot	Bolzen
46	12521350/0	2	Rondella	Washer	Rondelle	Scheibe
47	12155000/0	2	Dado	Nut	Ecrou	Mutter
48	25318153/1	2	Leva Posteriore	Rear Lever	Levier Arriere	Hinterhebel
49	12609255/0	2	Seeger	Seeger	Seeger	Seeger
50	325033071/0	1	Asta Collegamento	Connecting Rod	Tige De Connexion	Verbindungsstab
51	25670011/0	7	Rondella	Washer	Rondelle	Scheibe
52	125510117/0	7	Perno (Mod. 102)	Pin (Mod. 102)	Pivot (Mod. 102)	Bolzen (Mod. 102)
52	125510117/0	2	Perno (Mod. 122)	Pin (Mod. 122)	Pivot (Mod. 122)	Bolzen (Mod. 122)
53	125510048/1	2	Perno (Mod. 122)	Pin (Mod. 122)	Pivot (Mod. 122)	Bolzen (Mod. 122)
54	12521350/0	2	Rondella	Washer	Rondelle	Scheibe
55	12436050/0	7	Piastrina (Mod. 102)	Plate (Mod. 102)	Plaquette (Mod. 102)	Platte (Mod. 102)
55	12436050/0	5	Piastrina (Mod. 122)	Plate (Mod. 122)	Plaquette (Mod. 122)	Platte (Mod. 122)
56	25510056/0	2	Perno	Pin	Pivot	Bolzen
57	25670008/1	4	Rondella	Washer	Rondelle	Scheibe
58	12156602/0	2	Dado	Nut	Ecrou	Mutter
59	12794980/0	2	Vite (Mod. 102)	Screw (Mod. 102)	Vis (Mod. 102)	Schraube (Mod. 102)
59	12794985/0	2	Vite (Mod. 122)	Screw (Mod. 122)	Vis (Mod. 122)	Schraube (Mod. 122)
60	12295200/0	2	Dado	Nut	Ecrou	Mutter
61	25510070/0	2	Perno	Pin	Pivot	Bolzen
62	12523090/0	2	Rondella	Washer	Rondelle	Scheibe
63	24487998/0	2	Coppiglia	Cotter Pin	Goupille	Splint
64	25430218/0	1	Molla	Spring	Ressort	Feder
66	12293200/0	2	Dado	Nut	Ecrou	Mutter
71	125510048/1	1	Perno	Pin	Pivot	Bolzen
72	325318223/0	2	Leva	Gearshift	Levier	Hebel
73	382000585/0	1	Asse Rinvio	Axle	Axe	Achse
74	112815271/0	4	Vite	Screw	Vis	Schraube
75	325785355/0	2	Supporto	Support	Support	Haltersatz
76	325785354/0	2	Supporto	Support	Support	Haltersatz
77	325034003/0	4	Bronzina	Bush	Douille	Büchse
78	12523040/0	4	Rondella	Washer	Rondelle	Scheibe
79	12154510/0	4	Dado	Nut	Ecrou	Mutter

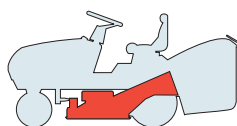


T..

CP CR CB CX CS X S CU

102 hydro

122 hydro

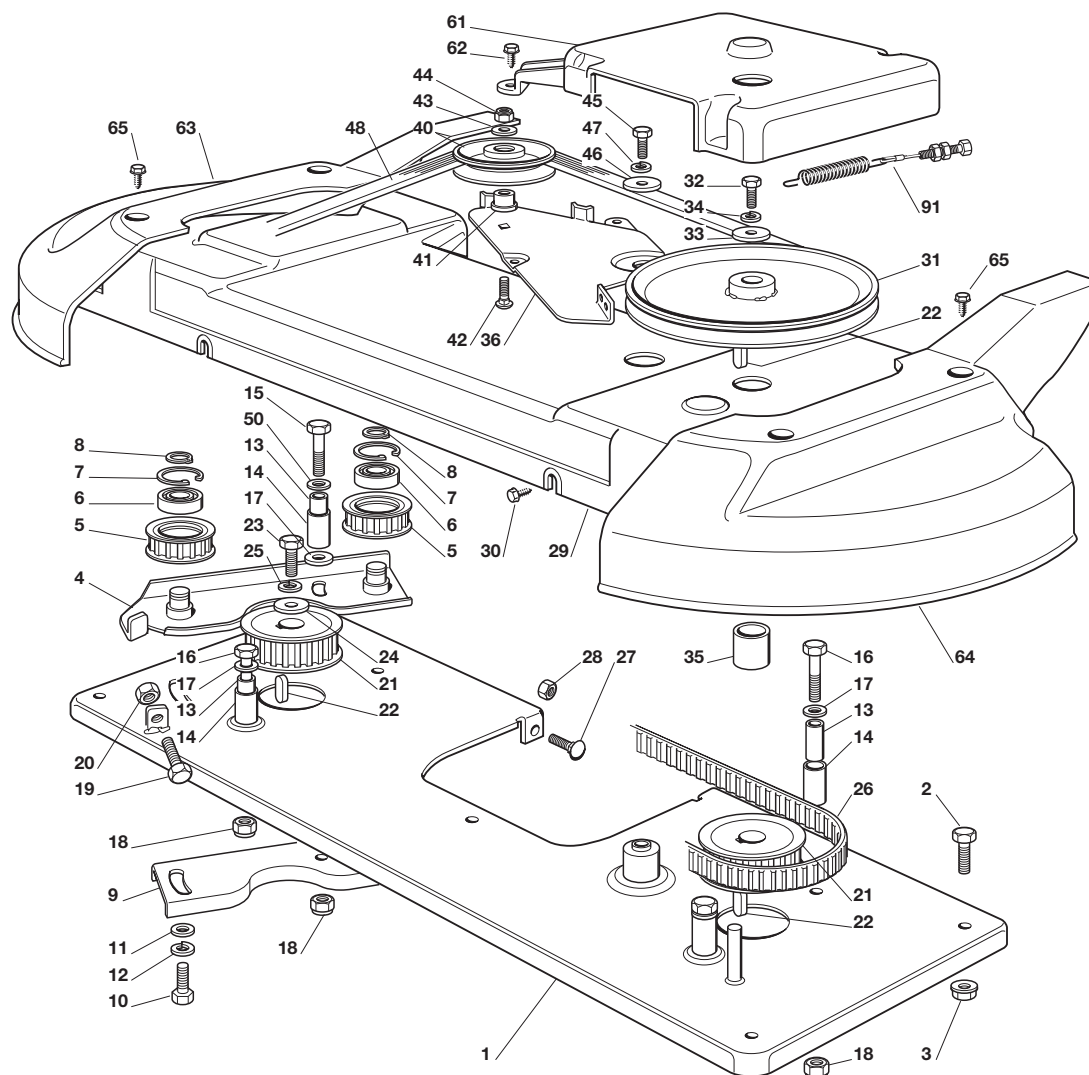


PIATTO DI TAGLIO (1)
CUTTING PLATE (1)
PLATEAU DE COUPE (1)
SCHNEIDWERKZEUG (1)

2011

6008.0

1 / 2



EDIPROM
TC11-08

N.	CODE	Q.TY	DESCRIZIONE	DESCRIPTION	DESCRIPTION	BESCHREIBUNG
1	82547029/0	1	Piastra (Mod. 102)	Plate (Mod. 102)	Plate (Mod. 102)	Platte (Mod. 102)
1	82547031/0	1	Piastra (Mod. 122)	Plate (Mod. 122)	Plate (Mod. 122)	Platte (Mod. 122)
2	12792611/0	4	Vite	Screw	Vis	Schraube
3	12293201/0	4	Dado	Nut	Ecrou	Mutter
4	82785084/1	1	Supporto	Support	Support	Haltersatz
5	25601559/1	2	Puleggia (Mod. 102)	Pulley (Mod. 102)	Poulie (Mod. 102)	Riemenscheibe (Mod. 102)
5	25601561/0	2	Puleggia (Mod. 122)	Pulley (Mod. 122)	Poulie (Mod. 122)	Riemenscheibe (Mod. 122)
6	119216048/0	2	Cuscinetto	Bearing	Roulement	Kuegellager
7	12610800/0	2	Seeger	Seeger	Seeger	Seeger
8	12609200/0	2	Seeger	Seeger	Seeger	Seeger
9	25650037/0	1	Rinforzo	Stiffening	Reinforcement	Verstaerkung
10	12793102/0	2	Vite	Screw	Vis	Schraube
11	12521350/0	2	Rondella	Washer	Rondelle	Scheibe
12	12583500/0	2	Grower	Grower	Grower	Grower
13	25160003/0	4	Distanziale	Spacer	Entretoise	Distanzring
14	25038000/0	4	Boccola	Bushing	Douille	Buchse
15	12691700/0	1	Vite	Screw	Vis	Schraube
16	12691200/0	3	Vite	Screw	Vis	Schraube
17	12521350/0	4	Rondella	Washer	Rondelle	Scheibe
18	12293201/0	4	Dado	Nut	Ecrou	Mutter
19	12793900/0	1	Vite	Screw	Vis	Schraube
20	12293200/0	1	Dado	Nut	Ecrou	Mutter
21	25601560/0	2	Puleggia (Mod. 102)	Pulley (Mod. 102)	Poulie (Mod. 102)	Riemenscheibe (Mod. 102)
21	25601562/0	2	Puleggia (Mod. 122)	Pulley (Mod. 122)	Poulie (Mod. 122)	Riemenscheibe (Mod. 122)
22	12139480/0	3	Chiavetta	Key	Clavette	Keil
23	12793102/0	1	Vite	Screw	Vis	Schraube
24	25670007/0	1	Rondella	Washer	Rondelle	Scheibe
25	12583500/0	1	Grower	Grower	Grower	Grower
26	35065600/0	1	Cinghia (Mod. 102)	Belt (Mod. 102)	Courroire (Mod. 102)	Keilriemen (Mod. 102)





N.	CODE	Q.TY	DESCRIZIONE	DESCRIPTION	DESCRIPTION	BESCHREIBUNG
26	35065601/0	1	Cinghia (Mod. 122)	Belt (Mod. 122)	Courroie (Mod. 122)	Keilriemen (Mod. 122)
27	12815200/0	3	Vite	Screw	Vis	Schraube
28	12292102/0	3	Dado	Nut	Ecrou	Mutter
29	25060100/3	1	Carter (Mod. 102)	Case (Mod. 102)	Carter (Mod. 102)	Blech (Mod. 102)
29	25060101/2	1	Carter (Mod. 122)	Case (Mod. 122)	Carter (Mod. 122)	Blech (Mod. 122)
30	12735110/0	6	Vite	Screw	Vis	Schraube
31	25601550/0	1	Puleggia (Mod. 102)	Pulley (Mod. 102)	Poulie (Mod. 102)	Riemenscheibe (Mod. 102)
31	25601549/0	1	Puleggia (Mod. 122)	Pulley (Mod. 122)	Poulie (Mod. 122)	Riemenscheibe (Mod. 122)
32	12793102/0	1	Vite	Screw	Vis	Schraube
33	25670007/0	1	Rondella	Washer	Rondelle	Scheibe
34	12583500/0	1	Grower	Grower	Grower	Grower
35	25160002/0	1	Distanziale	Spacer	Entretoise	Distanzring
36	25318115/1	1	Leva Freno (Mod. 102)	Brake Lever (Mod. 102)	Levier Frein (Mod. 102)	Bremshebel (Mod. 102)
36	25318119/0	1	Leva Freno (Mod. 122)	Brake Lever (Mod. 122)	Levier Frein (Mod. 122)	Bremshebel (Mod. 122)
40	25601555/0	1	Puleggia	Pulley	Poulie	Riemenscheibe
41	25160007/0	1	Distanziale	Spacer	Entretoise	Distanzring
42	12818900/0	1	Vite	Screw	Vis	Schraube
43	12523060/0	1	Rondella	Washer	Rondelle	Scheibe
44	12155000/0	1	Dado	Nut	Ecrou	Mutter
45	12793102/0	1	Vite	Screw	Vis	Schraube
46	12523070/0	1	Rondella	Washer	Rondelle	Scheibe
47	12583500/0	1	Grower	Grower	Grower	Grower
48	35062813/0	1	Cinghia (Mod. 102)	Belt (Mod. 102)	Courroie (Mod. 102)	Keil Riemen (Mod. 102)
48	35062814/0	1	Cinghia (Mod. 122)	Belt (Mod. 122)	Courroie (Mod. 122)	Keil Riemen (Mod. 122)
48	35062811/0	1	Cinghia (Mod. 102)	Belt (Mod. 102)	Courroie (Mod. 102)	Keil Riemen (Mod. 102)
48	35062812/0	1	Cinghia (Mod. 122)	Belt (Mod. 122)	Courroie (Mod. 122)	Keil Riemen (Mod. 122)
50	12523060/0	1	Rondella	Washer	Rondelle	Scheibe
61	25600049/0	1	Protezione (Mod. 102)	Guard (Mod. 102)	Protection (Mod. 102)	Schutz (Mod. 102)
61	25600050/0	1	Protezione (Mod. 122)	Guard (Mod. 122)	Protection (Mod. 122)	Schutz (Mod. 122)
62	12735403/0	3	Vite	Screw	Vis	Schraube
63	25060113/0	1	Carter (Tcx)	Guard (Tcx)	Carter (Tcx)	Blech (Tcx)
64	25060114/0	1	Carter (Tcx)	Guard (Tcx)	Carter (Tcx)	Blech (Tcx)
65	12735403/0	4	Vite (Tcx)	Screw (Tcx)	Vis (Tcx)	Schraube (Tcx)
91	82004608/0	1	Filo (Mod. 102)	Wire (Mod. 102)	Fil (Mod. 102)	Kabel (Mod. 102)
91	82004609/0	1	Filo (Mod. 122)	Wire (Mod. 122)	Fil (Mod. 122)	Kabel (Mod. 122)

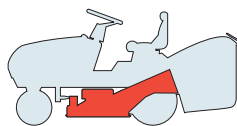


T..

CP CR CB CX CS X S CU

102 hydro

122 hydro

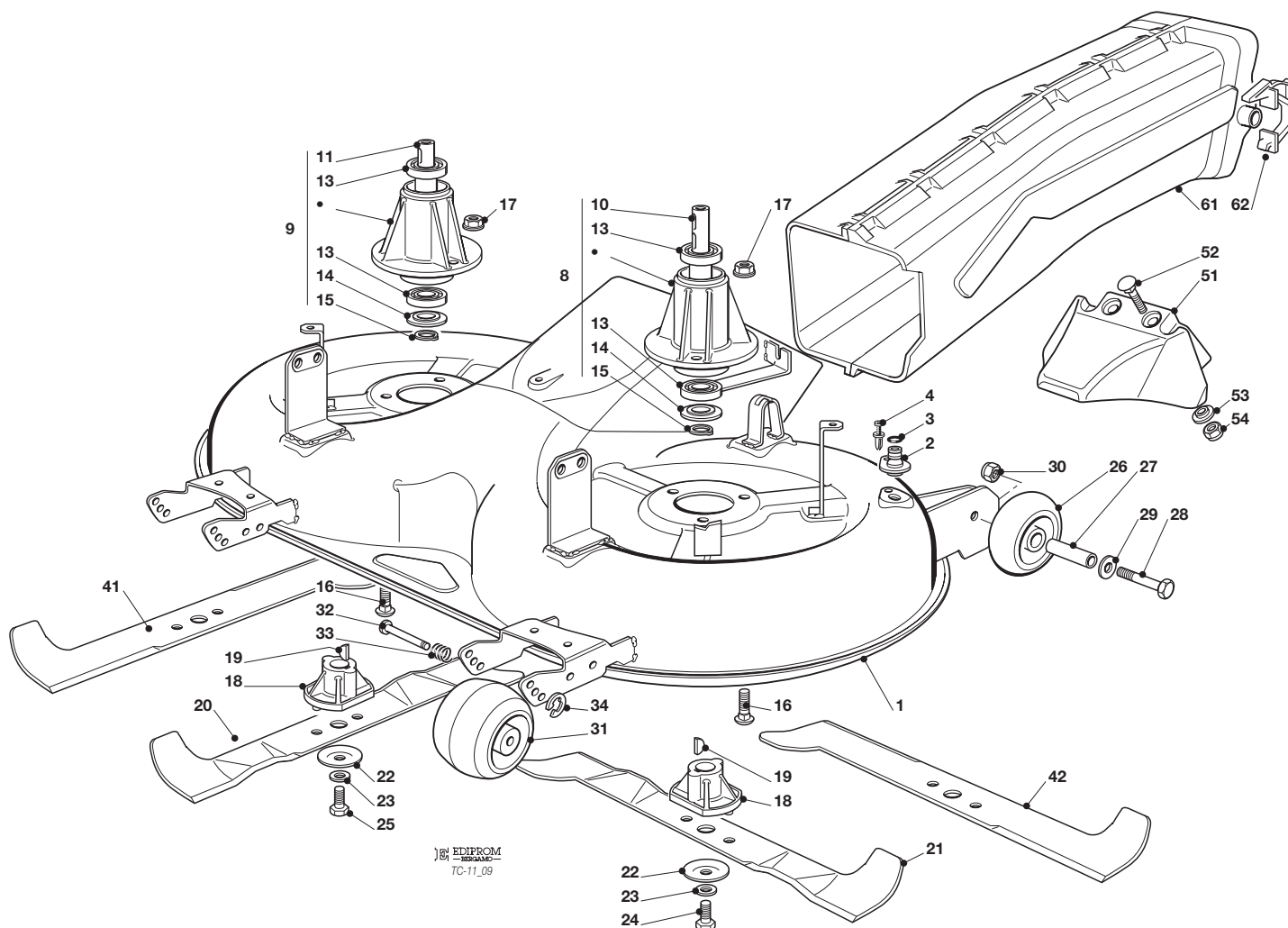


PIATTO DI TAGLIO (2)
CUTTING PLATE (2)
PLATEAU DE COUPE (2)
SCHNEIDWERKZEUG (2)

2011

6009.0

1 / 2



EDIPROM
TC-11_09

N.	CODE	Q.TY	DESCRIZIONE	DESCRIPTION	DESCRIPTION	BESCHREIBUNG
1	382564131/0	1	Piatto Di Taglio Nero	Cutting Plate Black	Plateau De Coupe Noire	Schneidwerkzeug Schwarz
1	382564132/0	1	Piatto Di Taglio Rosso	Cutting Plate Red	Plateau De Coupe Rouge	Schneidwerkzeug Rot
1	382564133/0	1	Piatto Di Taglio Giallo	Cutting Plate Yellow	Plateau De Coupe Jaune	Schneidwerkzeug Gelb
2	25033060/0	2	Attacco Tubo Acqua	Water Hose Connection	Raccord Tuyau D'Eau	Wasseranschluss
3	19035000/0	2	Anello Or	O Ring	O Ring	O Ring
4	12500030/0	2	Rivetto	Rivet	Rivet	Niet
8	82207200/1	1	Ass. Flangia Principale	Main Shaft Support	Support Arbre Principal	Masserwellehauptsatz
9	82207201/2	1	Ass. Flangia Secondaria	Secondary Shaft Support	Support Arbre Secondaire	Masserwelle Zweiteinsatz
10	25020800/1	1	Albero Lama Principale	Main Blade Shaft	Arbre Lame Principal	Haupt Messerwelle
11	25020801/2	1	Albero Lama Secondario	Secondary Blade Shaft	Arbre Lame Secondaire	Zweite Messerwelle
13	19216032/0	4	Cuscinetto	Bearing	Roulement	Kuegellager
14	25160501/0	2	Disco Parapolvere	Dust Cover	Protege-Poussiere	Staubschuttscheibe
15	12609260/0	2	Seeger	Seeger	Seeger	Seeger
16	12818700/0	6	Vite	Screw	Vis	Schraube
17	12154210/0	6	Dado	Nut	Ecrou	Mutter
18	25463200/0	2	Mozzo Coltello	Blade Hub	Moyeu Lame	Messerhalter
19	12139100/0	2	Linguetta	Key	Clavette	Keil
20	82004348/0	1	Coltello Destro Mulching, Alettato	Right Blade Mulching, Winged	Lame Droite Mulching, Aillettee	Rechter Messer Mulching, Flügel
21	82004347/0	1	Coltello Sinistro Mulching, Alettato	Left Blade Mulching, Winged	Lame Gauche Mulching, Aillettee	Linker Messer Mulching, Flügel
22	22160400/0	2	Disco Elastico	Elastic Washer	Rondelle Elastique	Federscheibe
23	12523080/0	2	Rondella	Washer	Rondelle	Scheibe
24	12735694/0	1	Vite	Screw	Vis	Schraube
25	12735695/1	1	Vite	Screw	Vis	Schraube
26	182700003/0	2	Ruotino Antiscalpo Ø 80	Anti Scalp Wheel Ø 80	Roulettes Antiscalp Ø 80	Skalprierschutzrädchen Ø 80
27	25510072/0	2	Distanziale	Spacer	Entretoise	Entfernungsstück
28	12692050/0	2	Vite	Screw	Vis	Schraube
29	12523060/0	2	Rondella	Washer	Rondelle	Scheibe
30	12293201/0	2	Dado	Nut	Ecrou	Mutter
31	182700004/0	2	Ruotino Antiscalpo Ø 100	Anti Scalp Wheel Ø 100	Roulettes Antiscalp Ø 100	Skalprierschutzrädchen Ø 100
32	125510121/0	2	Perno	Pin	Pivot	Bolzen





N.	CODE	Q.TY	DESCRIZIONE	DESCRIPTION	DESCRIPTION	BESCHREIBUNG
33	22450115/0	2	Molla	Spring	Ressort	Feder
34	12000930/0	2	Benzing	Benzing	Benzing	Benzing
41	82004341/1	1	Coltello Destro, Alettato	Right Blade, Winged	Lame Droite, Aillettee	Rechter Messer, Flügel
42	82004340/1	1	Coltello Sinistro, Alettato	Left Blade, Winged	Lame Gauche, Aillettee	Linker Messer, Flügel
51	325140100/0	1	Deflettore	Deflector	Deflecteur	Abweiser
52	12815210/0	2	Vite	Screw	Vis	Schraube
53	25038002/1	2	Boccola	Bush	Douille	Büchse
54	12154510/0	2	Dado	Nut	Ecrou	Mutter
61	382108016/1	1	Convogliatore	Conveyor	Convoyeur	Leitblechsatz
62	25774373/0	2	Staffa	Clamp	Etrier	Bride

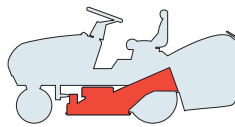


T..

CP CR CB CX CS X S CU

102 hydro

122 hydro

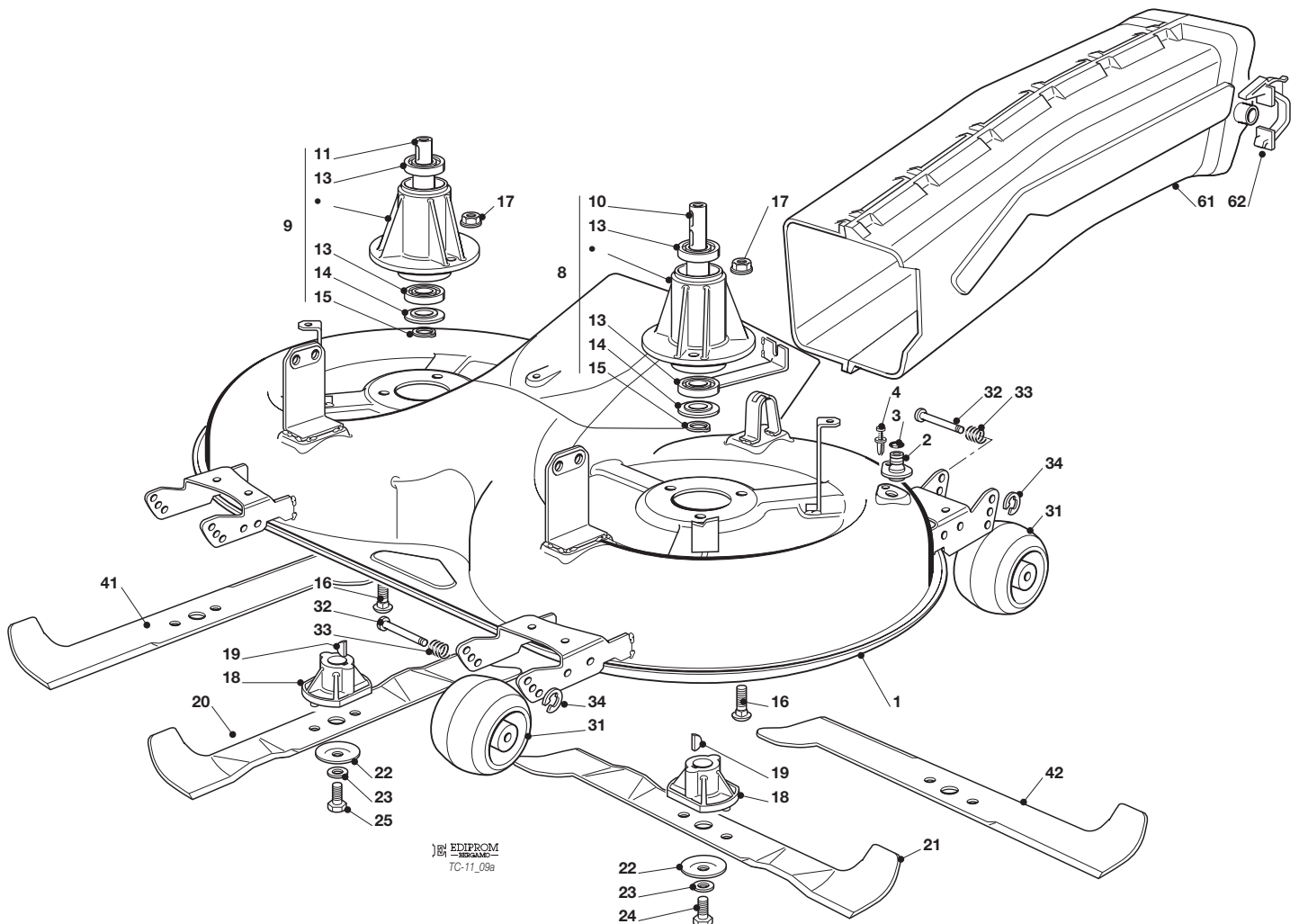


PIATTO DI TAGLIO (2)
CUTTING PLATE (2)
PLATEAU DE COUPE (2)
SCHNEIDWERKZEUG (2)

2011

6009a.1

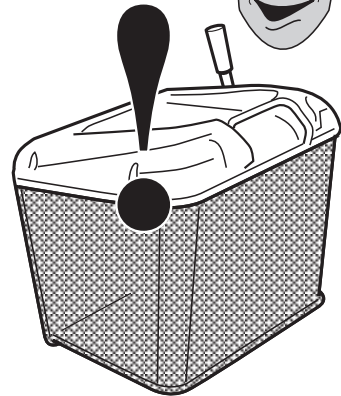
1 / 1



EDIPROM
 TC-11_09a

N.	CODE	Q.TY	DESCRIZIONE	DESCRIPTION	DESCRIPTION	BESCHREIBUNG
1	382564213/0	1	Piatto Di Taglio Nero	Cutting Plate Black	Plateau De Coupe Noire	Schneidwerkzeug Schwarz
1	382564214/0	1	Piatto Di Taglio Rosso	Cutting Plate Red	Plateau De Coupe Rouge	Schneidwerkzeug Rot
1	382564215/0	1	Piatto Di Taglio Giallo	Cutting Plate Yellow	Plateau De Coupe Jaune	Schneidwerkzeug Gelb
2	25033060/0	2	Attacco Tubo Acqua	Water Hose Connection	Raccord Tuyau D'Eau	Wasseranschluss
3	19035000/0	2	Anello Or	O Ring	O Ring	O Ring
4	12500030/0	2	Rivetto	Rivet	Rivet	Niet
8	82207200/1	1	Ass. Flangia Principale	Main Shaft Support	Support Arbre Principal	Masserwellehauptsatz
9	82207201/2	1	Ass. Flangia Secondaria	Secondary Shaft Support	Support Arbre Secondaire	Masserwelle Zweitersatz
10	25020800/1	1	Albero Lama Principale	Main Blade Shaft	Arbre Lame Principal	Haupt Messerwelle
11	25020801/2	1	Albero Lama Secondario	Secondary Blade Shaft	Arbre Lame Secondaire	Zweite Messerwelle
13	19216032/0	4	Cuscinetto	Bearing	Roulement	Kuegellager
14	25160501/0	2	Disco Parapolvere	Dust Cover	Protege-Poussiere	Staubschuttscheibe
15	12609260/0	2	Seeger	Seeger	Seeger	Seeger
16	12818700/0	6	Vite	Screw	Vis	Schraube
17	12154210/0	6	Dado	Nut	Ecrou	Mutter
18	25463200/0	2	Mozzo Coltello	Blade Hub	Moyeu Lame	Messerhalter
19	12139100/0	2	Linguetta	Key	Clavette	Keil
20	82004350/0	1	Coltello Destro Mulching, Alettato	Right Blade Mulching, Winged	Lame Droite Mulching, Aillettee	Rechter Messer Mulching, Flügel
21	82004349/0	1	Coltello Sinistro Mulching, Alettato	Left Blade Mulching, Winged	Lame Gauche Mulching, Aillettee	Linker Messer Mulching, Flügel
22	22160400/0	2	Disco Elastico	Elastic Washer	Rondelle Elastique	Federscheibe
23	12523080/0	2	Rondella	Washer	Rondelle	Scheibe
24	12735694/0	1	Vite	Screw	Vis	Schraube
25	12735695/1	1	Vite	Screw	Vis	Schraube
31	182700004/0	4	Ruotino Antiscalpo Ø 100	Anti Scalp Wheel Ø 100	Roulettes Antiscalp Ø 100	Skalpierschutzrädchen Ø 100
32	125510121/0	4	Perno	Pin	Pivot	Bolzen
33	22450115/0	4	Molla	Spring	Ressort	Feder
34	12000930/0	4	Benzing	Benzing	Benzing	Benzing
41	82004343/0	1	Coltello Destro, Alettato	Right Blade, Winged	Lame Droite, Aillettee	Rechter Messer, Flügel
42	82004342/0	1	Coltello Sinistro, Alettato	Left Blade, Winged	Lame Gauche, Aillettee	Linker Messer, Flügel
61	382108020/0	1	Convogliatore	Conveyor	Convoyeur	Leitblechsatz
62	25774373/0	2	Staffa	Clamp	Etrier	Bride





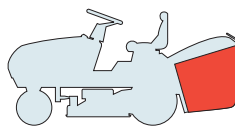
***USARE SOLO RICAMBI ORIGINALI!
USE ONLY GENUINE SPARE PARTS!
UTILISER DES PIÈCES DE RECHANGE D'ORIGINE!
NUR ORIGINALERSATZTEILE VERWENDEN!***

T..

CP CR CB CX CS X S CU

102 hydro

122 hydro

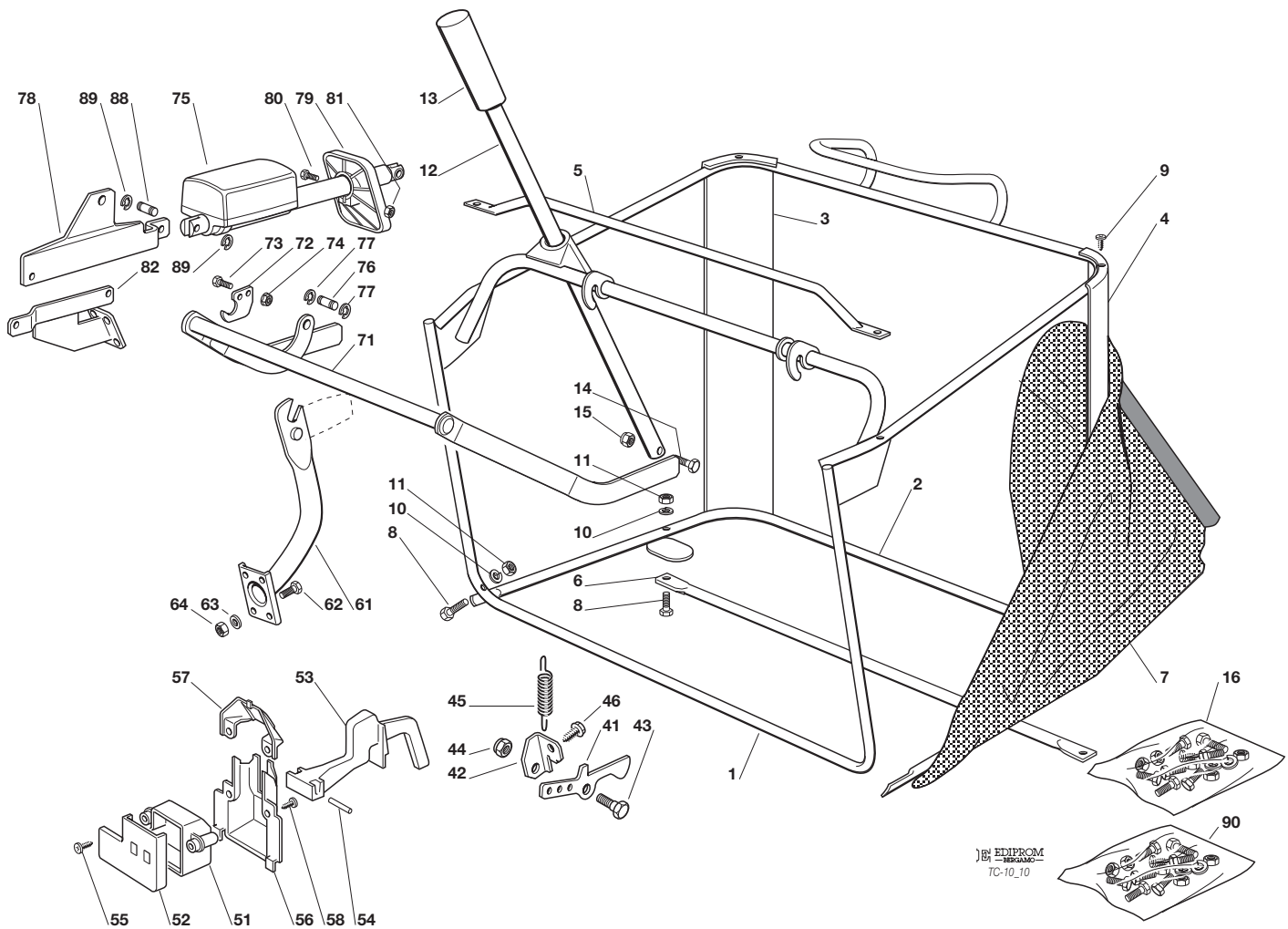


**SACCO
GRASSCATCHER
BAC
AUFFANGSACK**

2011

6010.0

1 / 2



N.	CODE	Q.TY	DESCRIZIONE	DESCRIPTION	DESCRIPTION	BESCHREIBUNG
2	82800002/2	1	Telaio Inferiore	Lower Frame	Chassis Inferieur	Unterrahmen
3	25032001/1	1	Angolare Destro	Right Angular Support	Support Ang. Droite	Rechter Halter
4	25032002/1	1	Angolare Sinistro	Left Angular Support	Support Ang. Gauche	Linker Halter
5	82394001/2	1	Maniglia Anteriore	Front Handle	Poignee Anterieure	Vordergriff
6	82650038/0	1	Rinforzo Inferiore	Lower Stiffening	Renforcement Super.	Obere Verstaerkung
7	82106000/2	1	Sacco	Grasscatcher	Sac	Sack
8	12792099/0	4	Vite	Screw	Vis	Schraube
9	12729601/1	4	Vite	Screw	Vis	Schraube
10	12582101/0	4	Grower	Grower	Grower	Grower
11	12292100/0	4	Dado	Nut	Ecrou	Mutter
12	25869029/1	1	Tubo	Rod	Tige	Stange
13	25394508/0	1	Manopola	Handle	Poingee	Griff
14	12792099/0	1	Vite	Screw	Vis	Schraube
15	12154510/0	1	Dado	Nut	Ecrou	Mutter
16	82180027/1	1	Dotazione Viteria (8÷15)	Screws Outfit (8÷15)	Ensemble Des Vis (8÷15)	Schraubenausruistung (8÷15)
41	325774315/1	1	Staffa	Bracket	Etrier	Bride
42	325755031/1	1	Squadretta	Bracket	Equerre-Support	Winkel
43	125510080/1	1	Perno	Pin	Pivot	Bolzen
44	12292102/0	1	Dado	Nut	Ecrou	Mutter
45	125430210/1	1	Molla	Spring	Ressort	Feder
46	12735122/0	1	Vite	Screw	Vis	Schraube
51	25600041/0	1	Protezione Micro	Micro Protection	Protection Micro	Schutz
52	25600042/0	1	Coperchio Protezione	Protection Cover	Couvercle Protection	Schutzdeckel
53	25318124/0	1	Leva	Lever	Levier	Hebel
54	12400030/0	1	Spina	Pin	Goupille	Stift
55	12728510/0	1	Vite	Screw	Vis	Schraube





N.	CODE	Q.TY	DESCRIZIONE	DESCRIPTION	DESCRIPTION	BESCHREIBUNG
56	25600047/0	1	Protezione Micro	Micro Protection	Protection Micro	Schutz
57	25600048/0	1	Coperchio Protezione	Protection Cover	Couvercle Protection	Schutzdeckel
58	12728450/0	2	Vite	Screw	Vis	Schraube
62	12793102/0	6	Vite	Screw	Vis	Schraube
63	12523060/0	6	Rondella	Washer	Rondelle	Scheibe
64	12293201/0	6	Dado	Nut	Ecrou	Mutter
<hr/>						
			Modelli con sollevamento manuale:	Models with manual tipping:	Modèles avec renversement manuelle:	Modellen mit Handbedienung:
1	82800051/0	1	Telaio Superiore	Upper Frame	Chassis Superieur	Obererrahmen
61	82774225/1	2	Supporto	Support	Support	Halter
<hr/>						
			Modelli con sollevamento elettrico:	Models with electric tipping:	Modèles avec renversement électrique:	Modellen mit elektrischer Bedienung:
1	82800093/0	1	Telaio Superiore	Upper Frame	Chassis Superieur	Obererrahmen
61	82774245/0	2	Supporto	Support	Support	Halter
71	382000507/1	1	Asse Sollevamento	Axle	Axe	Achse
72	25774317/0	2	Piastrina	Plate	Plaque	Platte
73	12815210/0	4	Vite	Screw	Vis	Schraube
74	12154510/0	4	Dado	Nut	Ecrou	Mutter
75	18001000/0	1	Attuatore	Actuator	Actuateur	Aktuator
76	25510083/0	1	Perno	Pin	Pivot	Bolzen
77	12000955/0	2	Benzing	Benzing	Benzing	Benzing
78	25785197/0	1	Supporto Attuatore	Support	Support	Halter
79	25600060/0	1	Protezione Attuatore	Protection	Protection	Schutz
80	12727795/0	1	Vite	Screw	Vis	Schraube
81	12154330/0	1	Dado	Nut	Ecrou	Mutter
82	82650209/0	1	Rinforzo	Stiffening	Reinforcement	Verstaerkung
83	82785147/0	2	Supporto Fulcro	Support	Support	Halter
84	25690001/0	2	Rullino	Roll	Rouleau	Walze
85	12000956/0	2	Benzing	Benzing	Benzing	Benzing
86	12818690/0	4	Vite	Screw	Vis	Schraube
87	12293201/0	4	Dado	Nut	Ecrou	Mutter
88	25510083/0	1	Perno	Pin	Pivot	Bolzen
89	12000955/0	2	Benzing	Benzing	Benzing	Benzing
90	82180045/0	1	Dotazione Viteria	Screws Outfit	Ensemble Des Vis	Schraubenausrüstung

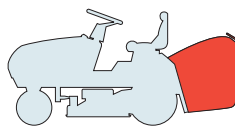


T..

CP CR CB CX CS X S CU

102 hydro

122 hydro

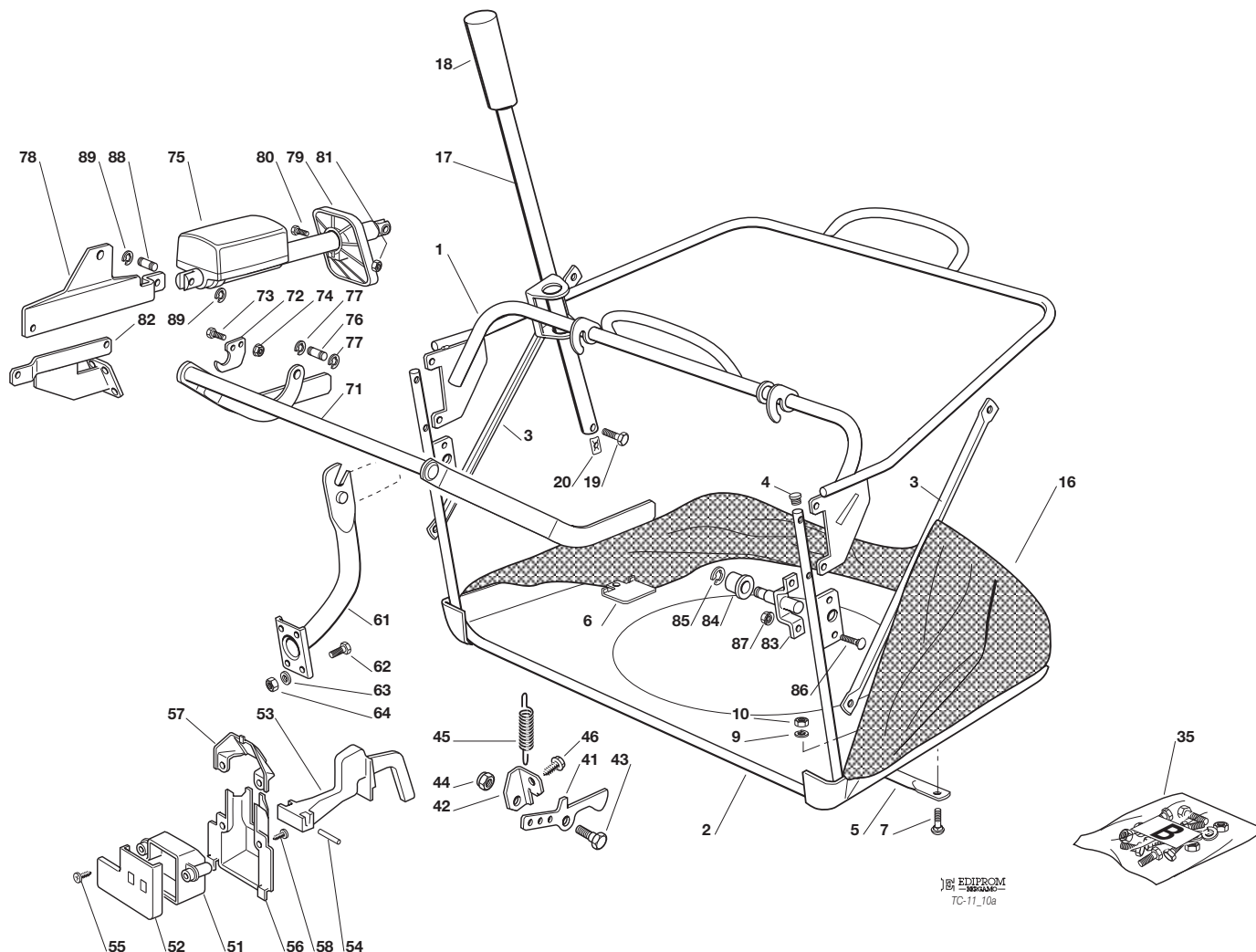


SACCO
GRASSCATCHER
BAC
AUFFANGSACK

2011

6010a.0

1 / 2



EDIPROM
 TC-11_10a

N.	CODE	Q.TY	DESCRIZIONE	DESCRIPTION	DESCRIPTION	BESCHREIBUNG
1	382800123/1	1	Telaio Superiore	Upper Frame	Chassis Superieur	Obererrahmen
2	382800089/1	1	Telaio Bocca Sacco	Front Frame	Chassis Avant	Vorderrahmen
3	325650117/0	2	Rinforzo	Stiffening	Renforcement	Verstaerkung
4	18566111/0	2	Puntale	Cap	Embout	Druckstück
5	82650043/0	1	Rinforzo Inferiore	Lower Stiffening	Renforcement Super.	Obere Verstaerkung
6	25547131/0	1	Piastrina	Plate	Plaque	Platte
7	12815210/0	6	Vite	Screw	Vis	Schraube
9	12521330/0	2	Rondella	Washer	Rondelle	Scheibe
10	12154510/0	2	Dado	Nut	Ecrou	Mutter
16	182105948/0	1	Sacco	Grasscatcher	Sac	Sack
17	25869029/1	1	Tubo	Rod	Tige	Stange
18	25394508/0	1	Manopola	Handle	Poingee	Griff
19	12788800/0	1	Vite	Screw	Vis	Schraube
20	112157000/0	1	Dado	Nut	Ecrou	Mutter
41	325774315/1	1	Staffa	Bracket	Etrier	Bride
42	325755031/1	1	Squadretta	Bracket	Equerre-Support	Winkel
43	125510080/1	1	Perno	Pin	Pivot	Bolzen
44	12292102/0	1	Dado	Nut	Ecrou	Mutter
45	125430210/1	1	Molla	Spring	Ressort	Feder
46	12735122/0	1	Vite	Screw	Vis	Schraube
51	25600041/0	1	Protezione Micro	Micro Protection	Protection Micro	Schutz
52	25600042/0	1	Coperchio Protezione	Protection Cover	Couvercle Protection	Schutzdeckel
53	25318124/0	1	Leva	Lever	Levier	Hebel
54	12400030/0	1	Spina	Pin	Goupille	Stift
55	12728510/0	1	Vite	Screw	Vis	Schraube
56	25600047/0	1	Protezione Micro	Micro Protection	Protection Micro	Schutz
57	25600048/0	1	Coperchio Protezione	Protection Cover	Couvercle Protection	Schutzdeckel
58	12728450/0	2	Vite	Screw	Vis	Schraube





N.	CODE	Q.TY	DESCRIZIONE	DESCRIPTION	DESCRIPTION	BESCHREIBUNG
62	12793102/0	6	Vite	Screw	Vis	Schraube
63	12523060/0	6	Rondella	Washer	Rondelle	Scheibe
64	12293201/0	6	Dado	Nut	Ecrou	Mutter
Modelli con sollevamento manuale:				Models with manual tipping:	Modèles avec renversement manuelle:	Modellen mit Handbedienung:
35	382180110/0	1	Dotazione Viteria	Screws Outfit	Ensemble Des Vis	Schraubenausrüstung
61	82774225/1	2	Supporto	Support	Support	Halter
Modelli con sollevamento elettrico:				Models with electric tipping:	Modèles avec renversement électrique:	Modellen mit elektrischer Bedienung:
34	25120232/0	1	Tappo	Cap	Bouchon	Verschluss
35	382180111/0	1	Dotazione Viteria	Screws Outfit	Ensemble Des Vis	Schraubenausrüstung
61	82774245/0	2	Supporto	Support	Support	Halter
71	382000507/1	1	Asse Sollevamento	Axle	Axe	Achse
72	25774317/0	2	Piastrina	Plate	Plaque	Platte
73	12815210/0	4	Vite	Screw	Vis	Schraube
74	12154510/0	4	Dado	Nut	Ecrou	Mutter
75	18001000/0	1	Attuatore	Actuator	Actuateur	Aktuator
76	25510083/0	1	Perno	Pin	Pivot	Bolzen
77	12000955/0	2	Benzing	Benzing	Benzing	Benzing
78	25785197/0	1	Supporto Attuatore	Support	Support	Halter
79	25600060/0	1	Protezione Attuatore	Protection	Protection	Schutz
80	12727795/0	1	Vite	Screw	Vis	Schraube
81	12154330/0	1	Dado	Nut	Ecrou	Mutter
82	82650209/0	1	Rinforzo	Stiffening	Reinforcement	Verstaerkung
83	82785147/0	2	Supporto Fulcro	Support	Support	Halter
84	25690001/0	2	Rullino	Roll	Rouleau	Walze
85	12000956/0	2	Benzing	Benzing	Benzing	Benzing
86	12818690/0	4	Vite	Screw	Vis	Schraube
87	12293201/0	4	Dado	Nut	Ecrou	Mutter
88	25510083/0	1	Perno	Pin	Pivot	Bolzen
89	12000955/0	2	Benzing	Benzing	Benzing	Benzing

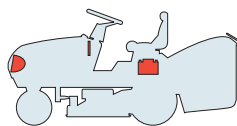


T..

CP CR CB CX CS X S CU

102 hydro

122 hydro

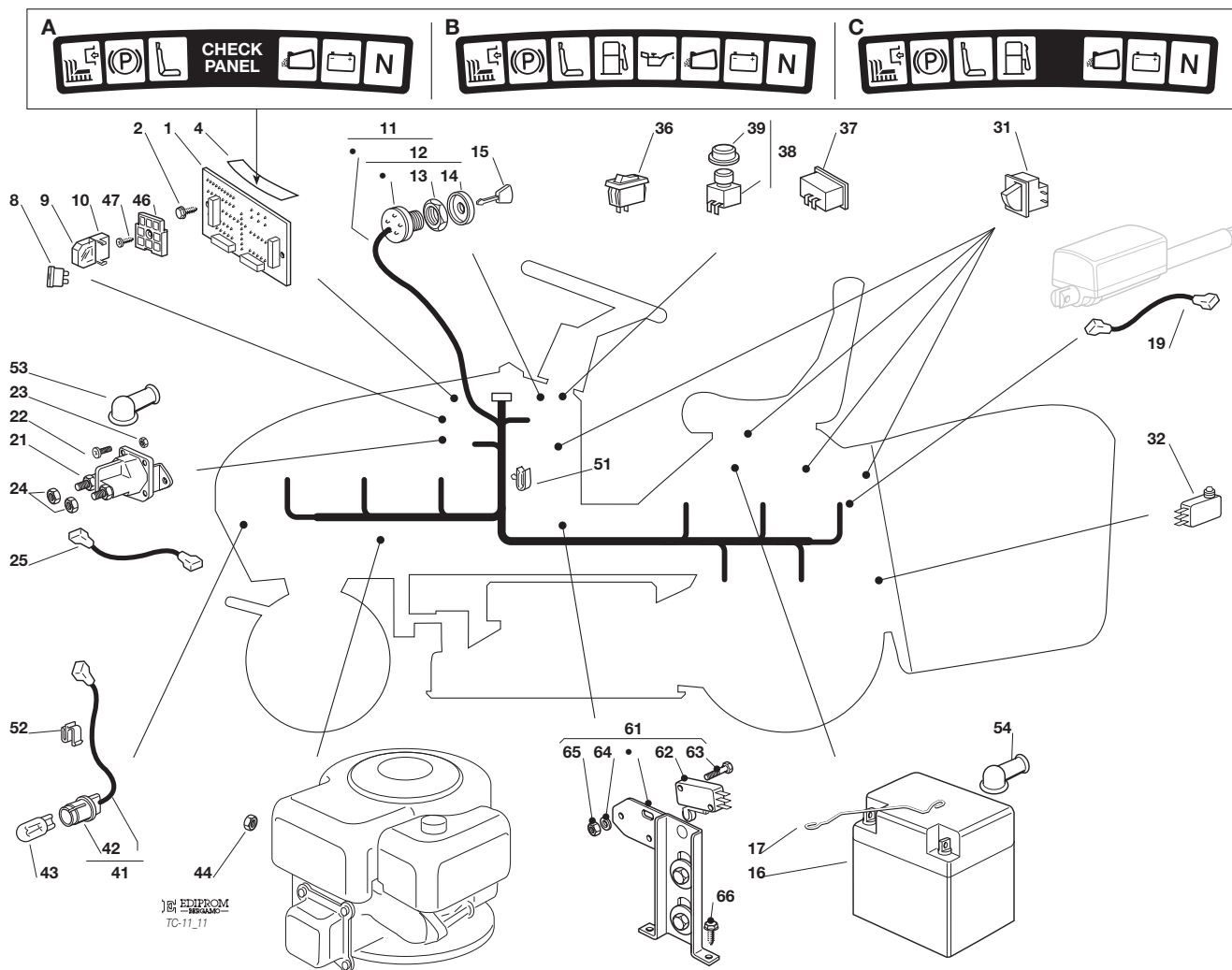


PARTI ELETTRICHE
ELECTRICAL PARTS
PARTIES ELECTRIQUES
ELETRISCHETEILE
B&S - GGP - KOHLER

2011

6011.1

1 / 2



N.	CODE	Q.TY	DESCRIZIONE	DESCRIPTION	DESCRIPTION	BESCHREIBUNG
1	25722413/1	1	Scheda Elettronica	Electronic Card	Carte Electronique	Elektronische Karte
2	12735105/0	3	Vite	Screw	Vis	Schraube
4	25420004/0	1	Membrana (A)	Check Control (A)	Panneau De Controle (A)	Kontrolltafel (A)
4	25420005/0	1	Membrana (B)	Check Control (B)	Panneau De Controle (B)	Kontrolltafel (B)
4	25420007/0	1	Membrana (C)	Check Control (C)	Panneau De Controle (C)	Kontrolltafel (C)
8	33340040/0	1	Fusibile 10 A	Fuse 10 A	Fusible 10 A	Sicherung 10 A
8	33340036/0	1	Fusibile 25 A	Fuse 25 A	Fusible 25 A	Sicherung 25 A
9	33215000/0	2	Coperchio	Cover	Couvercle	Deckel
10	33500007/0	2	Portafusibile	Fuse Carrier	Tableau De Fusible	Sicherunghalter
11	82040137/0	1	Cablaggio	Cables Ass.Y	Ens. Cablages	Kabelsatz
12	18450065/1	1	Interruttore Avviam.	Starting Switch	Interrupteur Demarr.	Schalter
13	18400861/0	1	Ghiera	Ringnut	Embout	Nutmutter
14	18565351/0	1	Protezione Ghiera	Ringnut Protection	Protection Embout	Nutmutter Schutz
15	18210016/1	1	Chiave Avviamento	Starting Key	Clef A Demarrage	Schlüssel Für Start
16	18120002/1	1	Batteria	Battery	Batterie	Batterie
17	25430230/0	1	Molla	Spring	Ressort	Feder
19	125065030/0	1	Cavo Collegamento	Connecting Cable	Cable De Connexion	Verbindungskabel
21	18736110/0	1	Relé Avviam. (123469)	Starter Relay (123469)	Relais D'All. (123469)	Anlassrelais (123469)
22	12791011/0	2	Vite (123469)	Screw (123469)	Vis (123469)	Schraube (123469)
23	12292102/0	2	Dado (123469)	Nut (123469)	Ecrou (123469)	Mutter (123469)
24	12360352/0	2	Dado (123469)	Nut (123469)	Ecrou (123469)	Mutter (123469)
25	25065017/0	1	Cavo Relé Avv. (123469)	Cable (123469)	Cable (123469)	Kabel (123469)
31	119410615/0	3	Micro Interruttore	Micro	Micro	Mikro
32	19410605/1	1	Micro Sacco Pieno	Full Grasscat. Microsw.	Micro Bac Plein	Vollkorb Vorrichtung
36	18450060/1	1	Interruttore	Farilamp Switch	Interrupteur Phares	Lichten Schalter
37	18230000/0	1	Contaore	Hour Counter	Compte-Heurs	Betriebsstundenzähler





N.	CODE	Q.TY	DESCRIZIONE	DESCRIPTION	DESCRIPTION	BESCHREIBUNG
38	18450067/0	1	Interruttore Frizione	Clutch Switch	Interrupteur Embrajage	Kupplung Schalter
39	18203852/0	1	Cappuccio	Protection	Capuchon	Stecker
41	82040070/0	1	Cablaggio Lampade	Cable	Cables	Kabel
42	33500030/0	2	Portalampane	Lamp Holder	Douille De Lampe	Scheinwerferlampe
43	18459100/0	2	Lampada	Farilamp For Lights	Lampe Pour Phares	Lampenfassun
44	12361005/0	1	Dado	Nut	Ecrou	Mutter
46	133500010/1	1	Piastrina	Plate	Plaque	Platte
47	12735170/0	1	Vite	Screw	Vis	Schraube
51	33320506/0	5	Fermacavo	Fairled	Fixation Cable	Kabelbefestigung
52	33320504/0	1	Fermacavo	Fairled	Fixation Cable	Kabelbefestigung
53	18564861/1	1	Cappuccio	Protection	Capuchon	Stecker
54	18564864/1	1	Cappuccio	Protection	Capuchon	Stecker
61	382394853/0	1	Ass. Micro (Hydro)	Switch Ass.Y (Hydro)	Micro. Ens. (Hydro)	Mikrosatz (Hydro)
62	19410609/0	1	Micro Folle (Hydro)	Neutral Switch (Hydro)	Micro. Point Mort (Hydro)	Leerlauf Mikrosch. (Hydro)
63	12735602/0	2	Vite	Screw	Vis	Schraube
64	12581100/0	2	Grower	Grower	Grower	Grower
65	12290791/0	2	Dado	Nut	Ecrou	Mutter
66	12735110/0	2	Vite	Screw	Vis	Schraube

Per motore / For engine / Pour moteur / Für Motor:

(1) B&S 10,5 - 11,5 - 12,5 - 13,5 HP

(2) B&S 15,5 HP

(3) B&S 16,5 - 17,5 - 18,5 HP

(4) B&S 20 - 22 - 24 HP

(5) GGP ENGINE 13,5 - 14 - 14,5 - 16 HP

(6) HONDA GCV 530

(7) HONDA GXV 660

(8) KOHLER 16 - 18 HP

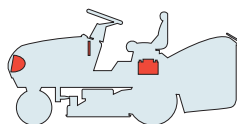


T..

CP CR CB CX CS X S CU

102 hydro

122 hydro

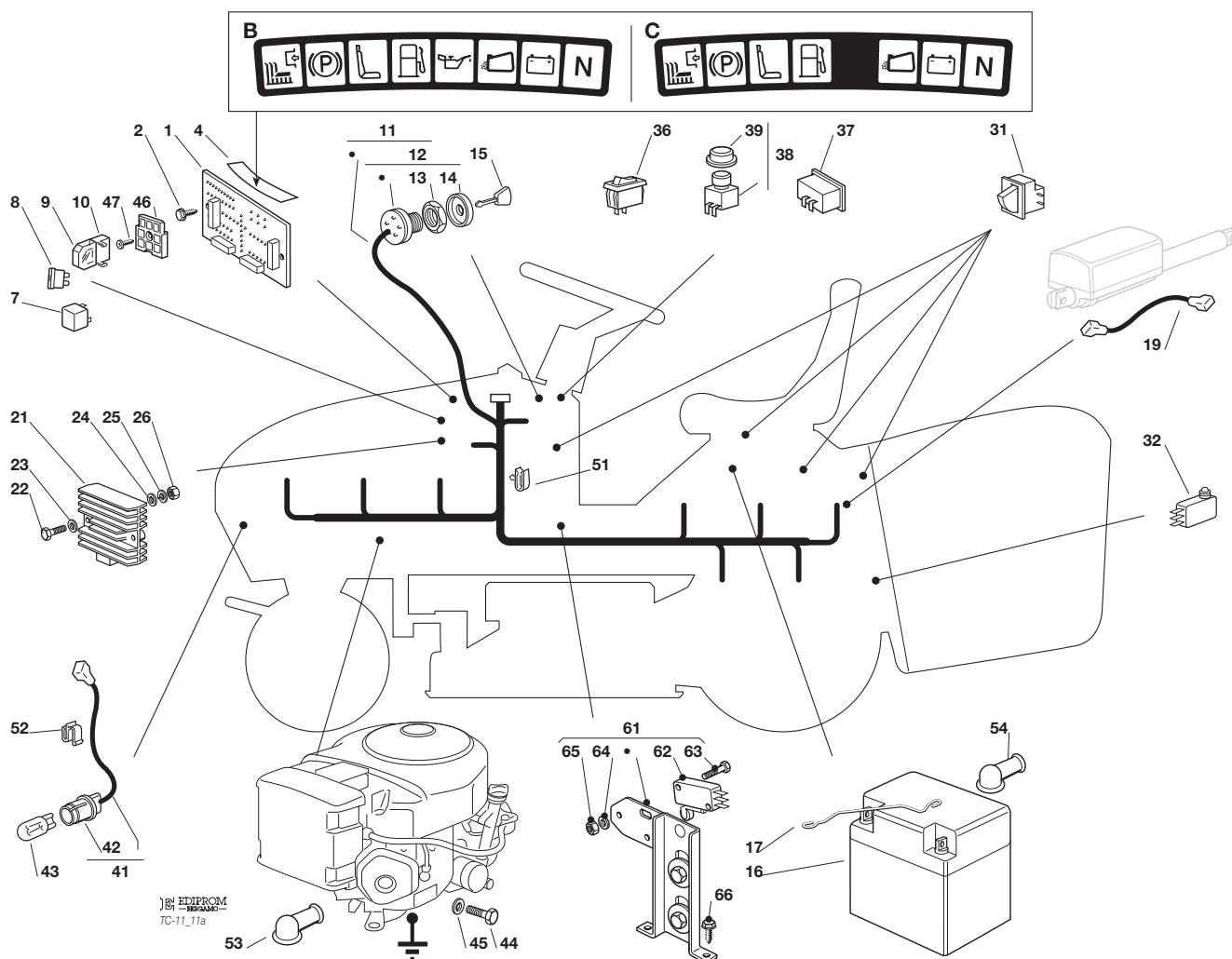


PARTI ELETTRICHE
ELECTRICAL PARTS
PARTIES ELECTRIQUES
ELETRISCHETEILE
HONDA

2011

6011a.1

1 / 2



EDIPROM
 TC-11_11a

N.	CODE	Q.TY	DESCRIZIONE	DESCRIPTION	DESCRIPTION	BESCHREIBUNG
1	25722413/1	1	Scheda Elettronica	Electronic Card	Carte Electronique	Elektronische Karte
2	12735105/0	3	Vite	Screw	Vis	Schraube
4	25420007/0	1	Membrana (B)	Check Control (B)	Panneau De Con. (B)	Kontrolltafel (B)
4	25420005/0	1	Membrana (C)	Check Control (C)	Panneau De Con. (C)	Kontrolltafel (C)
7	33567000/0	1	Relè	Relay	Relais	Relais
8	33340040/0	1	Fusibile 10 A	Fuse 10 A	Fusible 10 A	Sicherung 10 A
8	33340036/0	1	Fusibile 25 A	Fuse 25 A	Fusible 25 A	Sicherung 25 A
9	33215000/0	2	Coperchio	Cover	Couvercle	Deckel
10	33500007/0	2	Portafusibile	Fuse Carrier	Tableau De Fusible	Sicherungshalter
11	82040140/0	1	Cablaggio	Cables Ass.Y	Ens. Cablages	Kabelsatz
12	18450065/1	1	Interruttore Avviam.	Starting Switch	Interrupteur Demarr.	Schalter
13	18400861/0	1	Ghiera	Ringnut	Embout	Nutmutter
14	18565351/0	1	Protezione Ghiera	Ringnut Protection	Protection Embout	Nutmutter Schutz
15	18210016/1	1	Chiave Avviamento	Starting Key	Clef A Demarrage	Schlüssel Für Start
16	18120002/1	1	Batteria	Battery	Batterie	Batterie
17	25430230/0	1	Molla	Spring	Ressort	Feder
19	125065030/0	1	Cavo Collegamento	Connecting Cable	Cable De Connexion	Verbindungskabel
21	-	1	Relé Avviamento	Starter Relay	Relais D'Allumage	Anlassrelais
22	12791500/0	2	Vite	Screw	Vis	Schraube
23	12521330/0	2	Rondella	Washer	Rondelle	Scheibe
24	12521330/0	2	Rondella	Washer	Rondelle	Scheibe
25	12582100/0	2	Grower	Grower	Grower	Grower
26	12292100/0	2	Dado	Nut	Ecrou	Mutter
31	119410615/0	3	Micro Interruttore	Micro	Micro	Mikro
32	19410605/1	1	Micro Sacco Pieno	Full Grasscat. Microsw.	Micro Bac Plein	Vollkorb Vorrichtung
36	18450060/1	1	Interruttore	Farilamp Switch	Interrupteur Phares	Lichten Schalter
37	18230000/0	1	Contaore	Hour Counter	Compte-Heurs	Betriebsstundenzähler
38	18450067/0	1	Interruttore Frizione	Clutch Switch	Interrupteur Embrajage	Kupplung Schalter





N.	CODE	Q.TY	DESCRIZIONE	DESCRIPTION	DESCRIPTION	BESCHREIBUNG
39	18203852/0	1	Cappuccio	Protection	Capuchon	Stecker
41	82040070/0	1	Cablaggio Lampade	Cable	Cables	Kabel
42	33500030/0	2	Portalampane	Lamp Holder	Douille De Lampe	Scheinwerferlampe
43	18459100/0	2	Lampada	Fairlamp For Lights	Lampe Pour Phares	Lampenfassung
44	12791500/0	2	Vite	Screw	Vis	Schraube
45	12521330/0	2	Rondella	Washer	Rondelle	Scheibe
46	133500010/1	1	Piastrina	Plate	Plaque	Platte
47	12735170/0	1	Vite	Screw	Vis	Schraube
51	33320506/0	5	Fermacavo	Fairled	Fixation Cable	Kabelbefestigung
52	33320504/0	1	Fermacavo	Fairled	Fixation Cable	Kabelbefestigung
53	18564861/1	1	Cappuccio	Protection	Capuchon	Stecker
54	18564864/1	1	Cappuccio	Protection	Capuchon	Stecker
61	382394853/0	1	Ass. Micro (Hydro)	Switch Ass.Y (Hydro)	Micro. Ens. (Hydro)	Mikrosatz (Hydro)
62	19410609/0	1	Micro Folle (Hydro)	Neutral Switch (Hydro)	Micro. Point Mort (Hydro)	Leerlauf Mikrosch. (Hydro)
63	12735602/0	2	Vite	Screw	Vis	Schraube
64	12581100/0	2	Grower	Grower	Grower	Grower
65	12290791/0	2	Dado	Nut	Ecrou	Mutter
66	12735110/0	2	Vite	Screw	Vis	Schraube

PER LA SOSTITUZIONE DELLE PARTI CONTRASSEGNALE CON «◆» RIVOLGERSI AL SERVIZIO ASSISTENZA DEL COSTRUTTORE DEL MOTORE.
TO REPLACE THE PARTS MARKED «◆» SEEK ASSISTANCE FROM THE ENGINE MANUFACTURER'S AFTER SALES SERVICE.
POUR LE REMPLACEMENT DES PIÈCES MARQUÉES AVEC «◆» S'ADRESSER AU SERVICE APRÈS VENTES DU CONSTRUCTEUR DU MOTEUR.
ZUM AUSTAUSCH DER MIT «◆» GEKENNZEICHNETEN TEILE, WENDEN SIE SICH AN DEN KUNDENDIENST DES HERSTELLERS DES MOTOR.

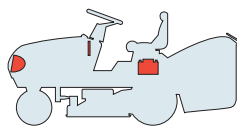


T..

CP CR CB CX CS X S CU

102 hydro

122 hydro

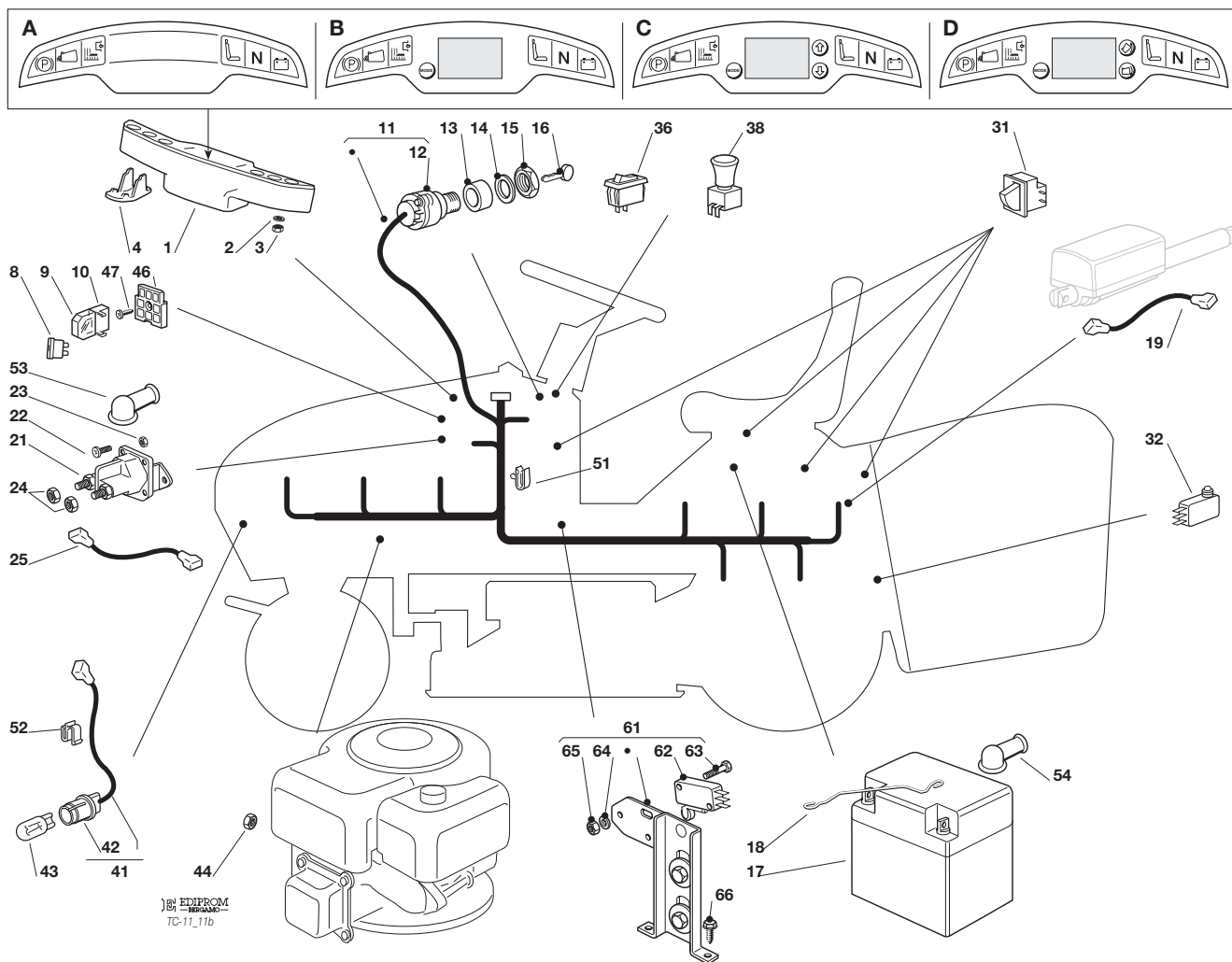


PARTI ELETTRICHE
ELECTRICAL PARTS
PARTIES ELECTRIQUES
ELETRISCHETEILE
B&S - GGP - KOHLER

2011

6011b.1

1 / 2



N.	CODE	Q.TY	DESCRIZIONE	DESCRIPTION	DESCRIPTION	BESCHREIBUNG
1	382722420/2	1	Schede + Protezioni (A)	Cards + Guards (A)	Cartes + Protections (A)	Karte + Schutze (A)
1	382722421/2	1	Schede + Protezioni (B)	Cards + Guards (B)	Cartes + Protections (B)	Karte + Schutze (B)
1	382722423/2	1	Schede + Protezioni (C)	Cards + Guards (C)	Cartes + Protections (C)	Karte + Schutze (C)
1	382722422/3	1	Schede + Protezioni (D)	Cards + Guards (D)	Cartes + Protections (D)	Karte + Schutze (D)
2	12521320/0	2	Rondella	Washer	Rondelle	Scheibe
3	12154330/0	2	Dado	Nut	Ecrou	Mutter
4	25031501/0	1	Deflettore Buzzer	Deflector	Deflecteur	Abweiser
11	182040147/0	1	Cablaggio	Cables Ass.Y	Ens. Cablages	Kabelsatz
12	18450072/0	1	Interruttore Avviam.	Starting Switch	Interrupteur Demarr.	Schalter
13	18550136/0	1	Distanziale	Spacer	Entretoise	Distanring
14	18550135/0	1	Rondella	Washer	Rondelle	Scheibe
15	18400862/0	1	Ghiera	Ringnut	Embout	Nutmutter
16	18210022/0	1	Chiave Avviamento	Starting Key	Clef A Demarrage	Schlüssel Für Start
17	18120002/1	1	Batteria	Battery	Batterie	Batterie
18	25430230/0	1	Molla	Spring	Ressort	Feder
21	18736110/0	1	Relé Avviam.	Starter Relay	Relais D'All.	Anlassrelais
22	12791011/0	2	Vite	Screw	Vis	Schraube
23	12292102/0	2	Dado	Nut	Ecrou	Mutter
24	12360352/0	2	Dado	Nut	Ecrou	Mutter
25	25065002/0	1	Cavo Relé Avv.	Cable	Cable	Kabel
31	119410615/0	3	Micro Interruttore	Micro	Micro	Mikro
32	19410605/1	1	Micro Sacco Pieno	Full Grasscat. Microsw.	Micro Bac Plein	Vollkorb Vorrichtung
36	18450060/1	1	Interruttore	Farilamp Switch	Interrupteur Phares	Lichten Schalter
38	18450068/0	1	Interruttore Frizione	Clutch Switch	Interrupteur Embrajage	Kupplung Schalter
41	82040073/0	1	Cablaggio Lampade	Cable	Cables	Kabel
42	33500030/0	2	Portalampade	Lamp Holder	Douille De Lampe	Scheinwerferlampe
43	18459100/0	2	Lampada	Farilamp For Lights	Lampe Pour Phares	Lampenfassung
44	12361005/0	1	Dado	Nut	Ecrou	Mutter
46	133500010/1	1	Piastrina	Plate	Plaque	Platte
47	12735170/0	1	Vite	Screw	Vis	Schraube





N.	CODE	Q.TY	DESCRIZIONE	DESCRIPTION	DESCRIPTION	BESCHREIBUNG
51	33320506/0	5	Fermacavo	Fairled	Fixation Cable	Kabelbefestigung
52	33320504/0	1	Fermacavo	Fairled	Fixation Cable	Kabelbefestigung
53	18564861/1	1	Cappuccio	Protection	Capuchon	Stecker
54	18564864/1	1	Cappuccio	Protection	Capuchon	Stecker
61	382394853/0	1	Ass. Micro (Hydro)	Switch Ass.Y (Hydro)	Micro. Ens. (Hydro)	Mikrosatz (Hydro)
62	19410609/0	1	Micro Folle (Hydro)	Neutral Switch (Hydro)	Micro. Point Mort (Hydro)	Leerlauf Mikrosch. (Hydro)
63	12735602/0	2	Vite	Screw	Vis	Schraube
64	12581100/0	2	Grower	Grower	Grower	Grower
65	12290791/0	2	Dado	Nut	Ecrou	Mutter
66	12735110/0	2	Vite	Screw	Vis	Schraube
<hr/>						
			Modelli con sollevamento manuale:	Models with manual tipping:	Modèles avec renversement manuelle:	Modellen mit Handbedienung:
8	33340040/0	1	Fusibile 10 A	Fuse 10 A	Fusible 10 A	Sicherung 10 A
8	33340036/0	1	Fusibile 25 A	Fuse 25 A	Fusible 25 A	Sicherung 25 A
9	33215000/0	2	Coperchio	Cover	Couvercle	Deckel
10	33500007/0	2	Portafusibile	Fuse Carrier	Tableau De Fusible	Sicherunghalter
<hr/>						
			Modelli con sollevamento elettrico:	Models with electric tipping:	Modèles avec renversement électrique:	Modellen mit elektrischer Bedienung:
8	33340040/0	1	Fusibile 10 A	Fuse 10 A	Fusible 10 A	Sicherung 10 A
8	33340035/0	1	Fusibile 15 A	Fuse 15 A	Fusible 15 A	Sicherung 15 A
8	33340036/0	1	Fusibile 25 A	Fuse 25 A	Fusible 25 A	Sicherung 25 A
9	33215000/0	3	Coperchio	Cover	Couvercle	Deckel
10	33500007/0	3	Portafusibile	Fuse Carrier	Tableau De Fusible	Sicherunghalter
19	125065030/0	1	Cavo Collegamento	Connecting Cable	Cable De Connexion	Verbindungskabel

PER LA SOSTITUZIONE DELLE PARTI CONTRASSEGNALE CON «*» RIVOLGERSI AL SERVIZIO ASSISTENZA DEL COSTRUTTORE DELLA TRASMISSIONE.
 TO REPLACE THE PARTS MARKED «*» SEEK ASSISTANCE FROM THE TRANSMISSION MANUFACTURER'S AFTER SALES SERVICE.
 POUR LE REMPLACEMENT DES PIÈCES MARQUÉES AVEC «*» S'ADRESSER AU SERVICE APRÈS VENTES DU CONSTRUCTEUR DE LA TRANSMISSION.
 ZUM AUSTAUSCH DER MIT «*» GEKENNZEICHNETEN TEILE, WENDEN SIE SICH AN DEN KUNDENDIENST DES HERSTELLERS DES ANTRIEBS.

Per motore / For engine / Pour moteur / Für Motor:

(●) B&S 10,5 - 11,5 - 12,5 - 13,5 HP (●) B&S 15,5 HP (●) B&S 16,5 - 17,5 - 18,5 HP (●) B&S 20 - 22 - 24 HP
 (●) GGP ENGINE 13,5 - 14 - 14,5 - 16 HP (●) HONDA GCV 530 (●) HONDA GXV 660 (●) KOHLER 16 - 18 HP

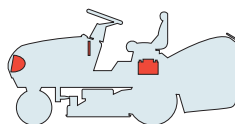


T..

CP CR CB CX CS X S CU

102 hydro

122 hydro

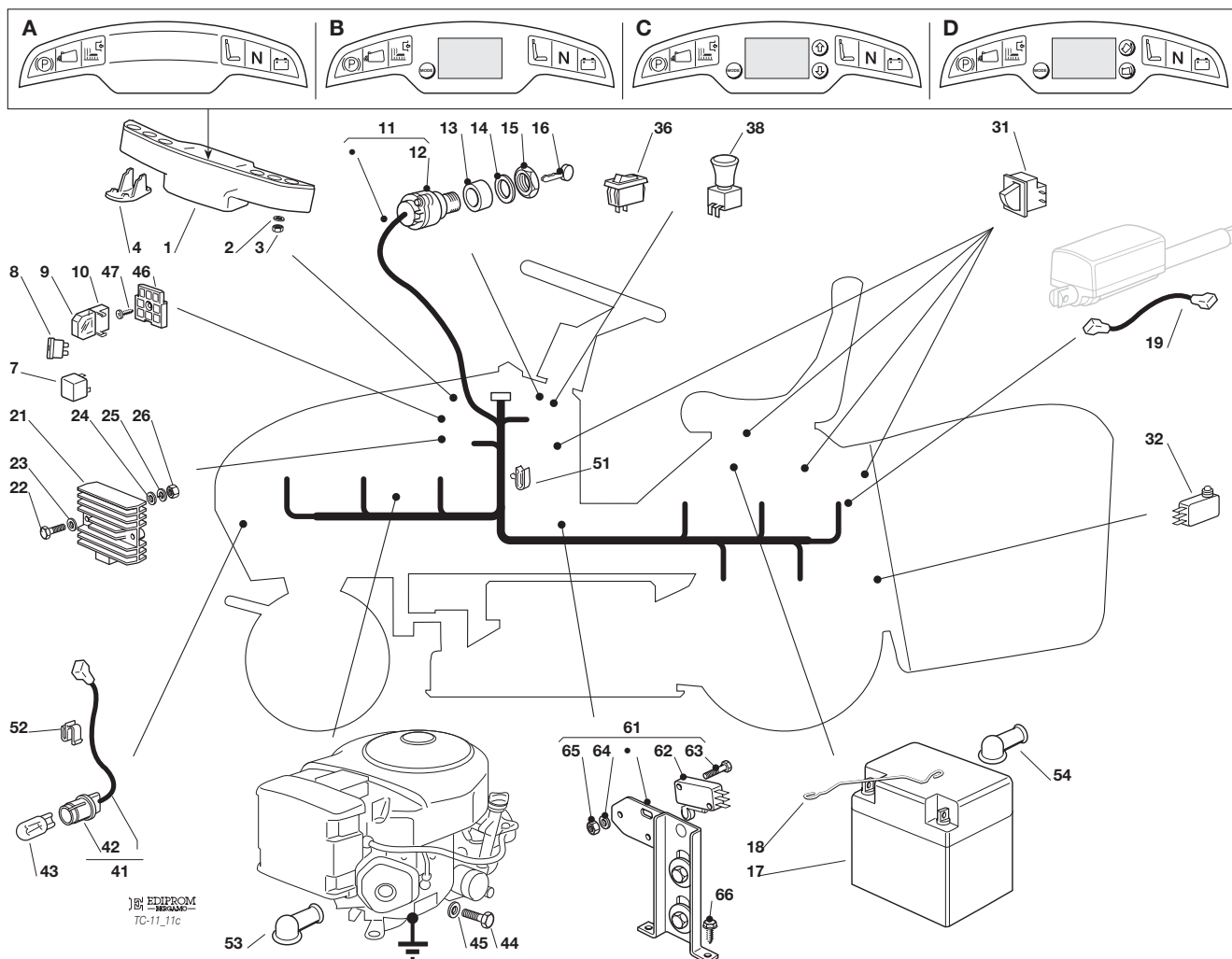


PARTI ELETTRICHE
ELECTRICAL PARTS
PARTIES ELECTRIQUES
ELETRISCHETEILE
HONDA

2011

6011c.1

1 / 2



N.	CODE	Q.TY	DESCRIZIONE	DESCRIPTION	DESCRIPTION	BESCHREIBUNG
1	382722420/2	1	Schede + Protezioni (A)	Cards + Guards (A)	Cartes + Protections (A)	Karte + Schutze (A)
1	382722421/2	1	Schede + Protezioni (B)	Cards + Guards (B)	Cartes + Protections (B)	Karte + Schutze (B)
1	382722423/2	1	Schede + Protezioni (C)	Cards + Guards (C)	Cartes + Protections (C)	Karte + Schutze (C)
1	382722422/3	1	Schede + Protezioni (D)	Cards + Guards (D)	Cartes + Protections (D)	Karte + Schutze (D)
2	12521320/0	2	Rondella	Washer	Rondelle	Scheibe
3	12154330/0	2	Dado	Nut	Ecrou	Mutter
4	25031501/0	1	Deflettore Buzzer	Deflector	Deflecteur	Abweiser
7	33567000/0	1	Relè'	Relay	Relais	Relais
11	182040148/0	1	Cablaggio	Cables Ass.Y	Ens. Cablages	Kabelsatz
12	18450072/0	1	Interruttore Avviam.	Starting Switch	Interrupteur Demarr.	Schalter
13	18550136/0	1	Distanziale	Spacer	Entretoise	Distanring
14	18550135/0	1	Rondella	Washer	Rondelle	Scheibe
15	18400862/0	1	Ghiera	Ringnut	Embout	Nutmutter
16	18210022/0	1	Chiave Avviamento	Starting Key	Clef A Demarrage	Schlüssel Für Start
17	18120002/1	1	Batteria	Battery	Batterie	Batterie
18	25430230/0	1	Molla	Spring	Ressort	Feder
21	-	1	Relé Avviamento	Starter Relay	Relais D'Allumage	Anlassrelais
22	12791500/0	2	Vite	Screw	Vis	Schraube
23	12521330/0	2	Rondella	Washer	Rondelle	Scheibe
24	12521330/0	2	Rondella	Washer	Rondelle	Scheibe
25	12582100/0	2	Grower	Grower	Grower	Grower
26	12292100/0	2	Dado	Nut	Ecrou	Mutter
31	119410615/0	3	Micro Interruttore	Micro	Micro	Mikro
32	19410605/1	1	Micro Sacco Pieno	Full Grasscat. Microsw.	Micro Bac Plein	Vollkorb Vorrichtung





N.	CODE	Q.TY	DESCRIZIONE	DESCRIPTION	DESCRIPTION	BESCHREIBUNG
36	18450060/1	1	Interruttore	Farilamp Switch	Interrupteur Phares	Lichten Schalter
38	18450068/0	1	Interruttore Frizione	Clutch Switch	Interrupteur Embrajage	Kupplung Schalter
41	82040073/0	1	Cablaggio Lampade	Cable	Cables	Kabel
42	33500030/0	2	Portalampade	Lamp Holder	Douille De Lampe	Scheinwerferlampe
43	18459100/0	2	Lampada	Farilamp For Lights	Lampe Pour Phares	Lampenfassung
44	12791500/0	2	Vite	Screw	Vis	Schraube
45	12521330/0	2	Rondella	Washer	Rondelle	Scheibe
46	133500010/1	1	Piastrina	Plate	Plaque	Platte
47	12735170/0	1	Vite	Screw	Vis	Schraube
51	33320506/0	5	Fermacavo	Fairled	Fixation Cable	Kabelbefestigung
52	33320504/0	1	Fermacavo	Fairled	Fixation Cable	Kabelbefestigung
53	18564861/1	1	Cappuccio	Protection	Capuchon	Stecker
54	18564864/1	1	Cappuccio	Protection	Capuchon	Stecker
61	382394853/0	1	Ass. Micro (Hydro)	Switch Ass.Y (Hydro)	Micro. Ens. (Hydro)	Mikrosatz (Hydro)
62	19410609/0	1	Micro Folle (Hydro)	Neutral Switch (Hydro)	Micro. Point Mort (Hydro)	Leerlauf Mikrosch. (Hydro)
63	12735602/0	2	Vite	Screw	Vis	Schraube
64	12581100/0	2	Grower	Grower	Grower	Grower
65	12290791/0	2	Dado	Nut	Ecrou	Mutter
66	12735110/0	2	Vite	Screw	Vis	Schraube
Modelli con sollevamento manuale:				Models with manual tipping:	Modèles avec renversement manuelle:	Modellen mit Handbedienung:
8	33340040/0	1	Fusibile 10 A	Fuse 10 A	Fusible 10 A	Sicherung 10 A
8	33340036/0	1	Fusibile 25 A	Fuse 25 A	Fusible 25 A	Sicherung 25 A
9	33215000/0	2	Coperchio	Cover	Couvercle	Deckel
10	33500007/0	2	Portafusibile	Fuse Carrier	Tableau De Fusible	Sicherunghalter
Modelli con sollevamento elettrico:				Models with electric tipping:	Modèles avec renversement électrique:	Modellen mit elektrischer Bedienung:
8	33340040/0	1	Fusibile 10 A	Fuse 10 A	Fusible 10 A	Sicherung 10 A
8	33340035/0	1	Fusibile 15 A	Fuse 15 A	Fusible 15 A	Sicherung 15 A
8	33340036/0	1	Fusibile 25 A	Fuse 25 A	Fusible 25 A	Sicherung 25 A
9	33215000/0	3	Coperchio	Cover	Couvercle	Deckel
10	33500007/0	3	Portafusibile	Fuse Carrier	Tableau De Fusible	Sicherunghalter
19	125065030/0	1	Cavo Collegamento	Connecting Cable	Cable De Connexion	Verbindungskabel

PER LA SOSTITUZIONE DELLE PARTI CONTRASSEGNALE CON «◆» RIVOLGERSI AL SERVIZIO ASSISTENZA DEL COSTRUTTORE DEL MOTORE.
 TO REPLACE THE PARTS MARKED «◆» SEEK ASSISTANCE FROM THE ENGINE MANUFACTURER'S AFTER SALES SERVICE.
 POUR LE REMPLACEMENT DES PIÈCES MARQUÉES AVEC «◆» S'ADRESSER AU SERVICE APRÈS VENTES DU CONSTRUCTEUR DU MOTEUR.
 ZUM AUSTAUSCH DER MIT «◆» GEKENNZEICHNETEN TEILE, WENDEN SIE SICH AN DEN KUNDENDIENST DES HERSTELLERS DES MOTOR.

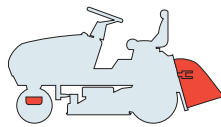


T..

CP CR CB CX CS X S CU

102 hydro

122 hydro

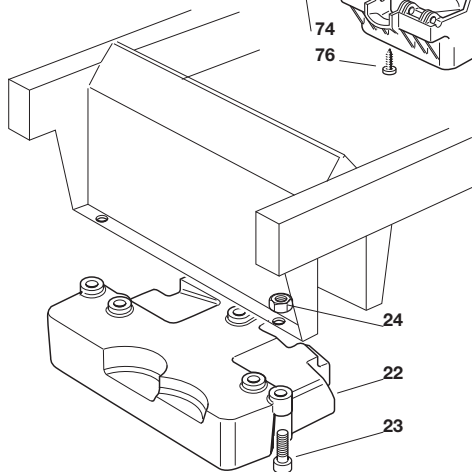
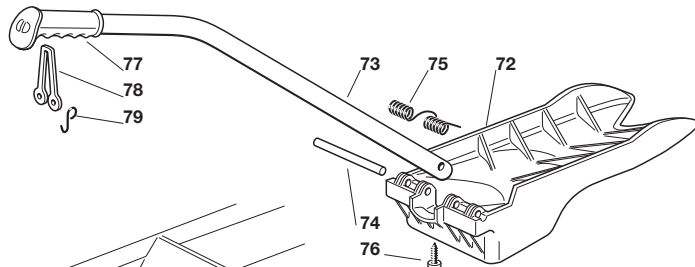
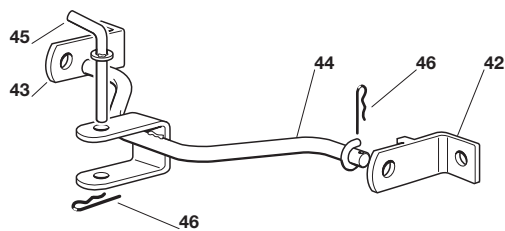


ACCESSORI A RICHIESTA
 OPTIONALS ON REQUEST
 ACCESSOIRES SUR DEMANDE
 ZUBEHOERE NACH ANFRAGE

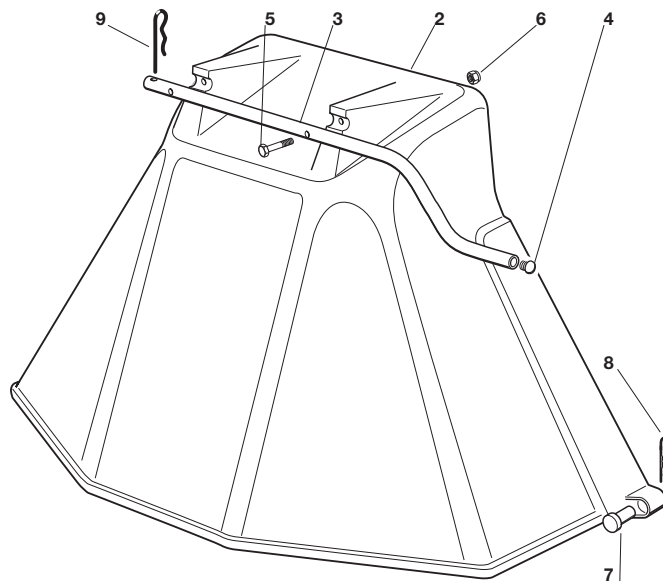
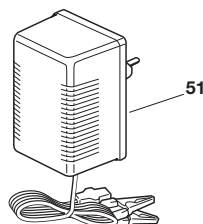
2011

6012.0

1 / 1



EDIPROM
 TC-10_12



N.	CODE	Q.TY	DESCRIZIONE	DESCRIPTION	DESCRIPTION	BESCHREIBUNG
2	82400003/1	1	Protezione Uscita	Ejection Guard	Protection Sortie	Auswurfschutz
3	25869043/0	1	Tubo Di Aggancio	Support	Sopport	Halter
4	18566112/0	2	Puntale	Cap	Bouchon	Pfropfen
5	12689515/0	2	Vite	Screw	Vis	Schraube
6	12154510/0	2	Dado	Nut	Ecrou	Mutter
7	25510022/0	2	Perno	Pin	Pivot	Bolzen
8	24487998/0	2	Coppiglia	Cotter Pin	Goupille	Splint
9	24487999/0	1	Coppiglia	Cotter Pin	Goupille	Splint
22	25519997/1	1	Peso	Weight	Poids	Gewicht
23	12760520/0	3	Vite	Screw	Vis	Schraube
24	12155000/0	3	Dado	Nut	Ecrou	Mutter
42	82735502/0	1	Staffa Supporto Traino Dx	Bracket Right Hitch Support	Etrier Support Trainage Droite	Buegel Halter Für Rechten Zug
43	25774213/0	1	Staffa Supporto Traino Sx	Bracket Left Hitch Support	Etrier Support Trainage Gauche	Buegelhalter Für Linken Zug
44	382033105/1	1	Barra	Rod	Barre	Stange
45	25510021/1	1	Perno	Pin	Pivot	Bolzen
46	24487999/0	2	Coppiglia	Cotter Pin	Goupille	Splint
51	182180090/0	1	Carica Batterie	Battery Charger	Chargeur De Batteries	Batterieladegerät
51	182180091/0	1	Carica Batterie (U.K.)	Battery Charger (U.K.)	Chargeur De Batteries (U.K.)	Batterieladegerät (U.K.)
72	325140097/0	1	Deflettore (Mod. 102)	Deflector (Mod. 102)	Deflecteur (Mod. 102)	Abweiser (Mod. 102)
72	25140092/0	1	Deflettore (Mod. 122)	Deflector (Mod. 122)	Deflecteur (Mod. 122)	Abweiser (Mod. 122)
73	25394005/0	1	Manico	Handle	Guidon	Stiel
74	25510077/0	1	Perno	Pin	Pivot	Bolzen
75	25430245/0	1	Molla	Spring	Ressort	Feder
76	12735405/0	1	Vite	Screw	Vis	Schraube
77	25280000/1	1	Impugnatura	Handgrip	Branche	Griff
78	25840011/1	1	Tirante In Gomma	Elastic Tie-Rod	Tirant Elastique	Elastische Zugstäbe
79	25253004/0	2	Gancio	Hook	Crochet	Haken

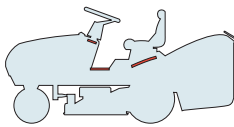


T..

CP CR CB CX CS X S CU

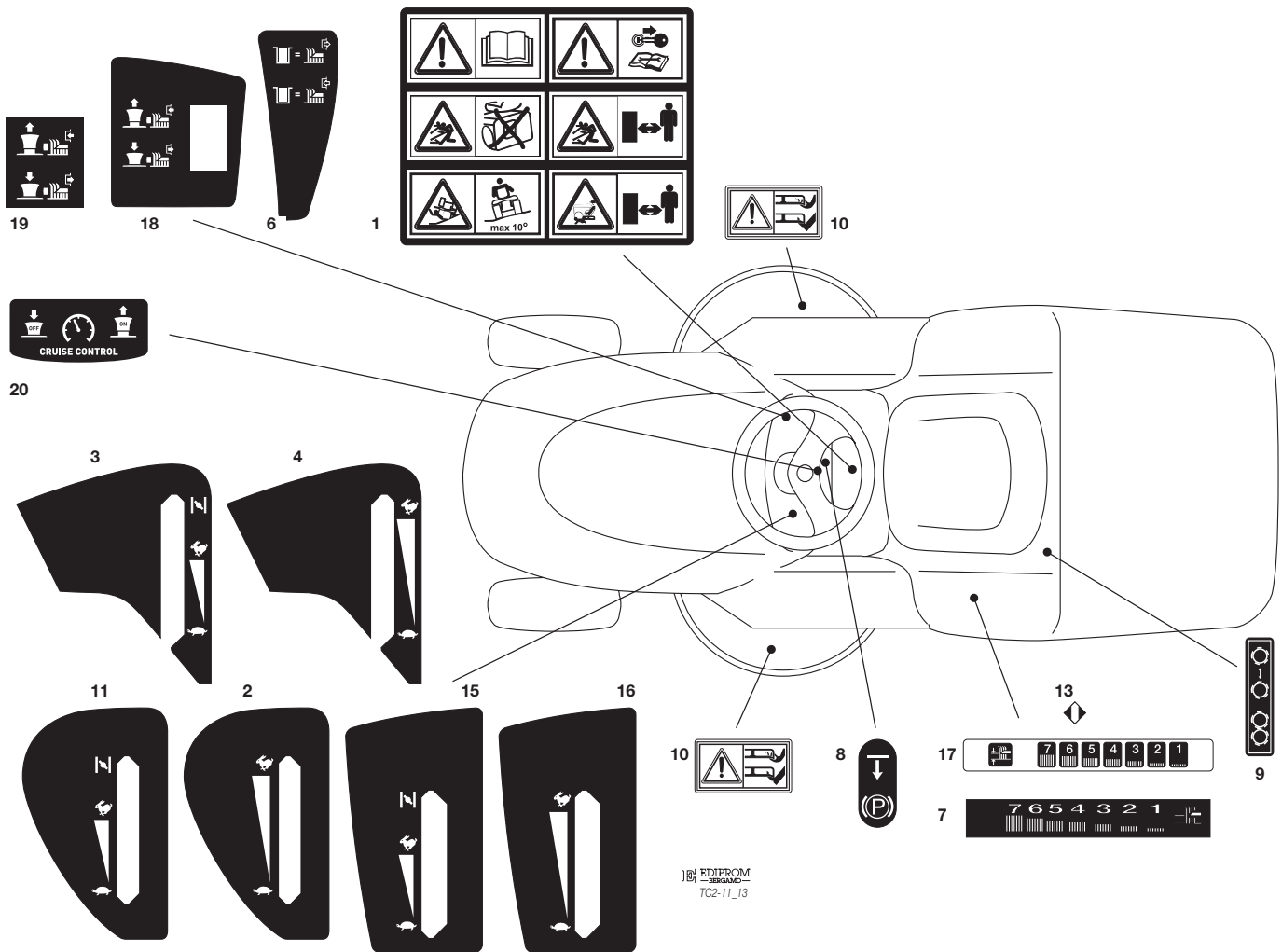
102 hydro

122 hydro



ETICHETTE
LABELS
ETIQUETTES
KLEBZETTEL

2011
6013.0
1 / 1



EDIPROM
TC2-11_13

N.	CODE	Q.TY	DESCRIZIONE	DESCRIPTION	DESCRIPTION	BESCHREIBUNG
1	114357428/1	1	Etichetta	Label	Etiquette	Klebzettel
6	14357967/0	1	Etichetta	Label	Etiquette	Klebzettel
8	114357526/1	1	Etichetta	Label	Etiquette	Klebzettel
9	114357423/2	1	Etichetta (Hydro)	Label (Hydro)	Etiquette (Hydro)	Klebzettel (Hydro)
10	114356699/1	2	Etichetta	Label	Etiquette	Klebzettel
13	14357913/0	1	Etichetta	Label	Etiquette	Klebzettel
18	14360715/2	1	Etichetta (TX - TS)	Label (TX - TS)	Etiquette (TX - TS)	Klebzettel (TX - TS)
19	14360912/0	1	Etichetta (TCX - TCS)	Label (TCX - TCS)	Etiquette (TCX - TCS)	Klebzettel (TCX - TCS)
Modelli TCR - TCB:				Models TCR - TCB:	Modèles TCR - TCB:	Modellen TCR - TCB:
3	14356177/2	1	Etichetta (12369)	Label (12369)	Etiquette (12369)	Klebzettel (12369)
4	14356184/3	1	Etichetta (4678)	Label (4678)	Etiquette (4678)	Klebzettel (4678)
7	14357905/0	1	Etichetta	Label	Etiquette	Klebzettel
Modelli TCP - TCX - TCS:				Models TCP - TCX - TCS:	Modèles TCP - TCX - TCS:	Modellen TCP - TCX - TCS:
2	14356756/2	1	Etichetta (4678)	Label (4678)	Etiquette (4678)	Klebzettel (4678)
7	14357905/0	1	Etichetta	Label	Etiquette	Klebzettel
11	14356754/1	1	Etichetta (12369)	Label (12369)	Etiquette (12369)	Klebzettel (12369)
Modelli TX - TS:				Models TX - TS:	Modèles TX - TS:	Modellen TX - TS:
15	14360717/0	1	Etichetta (12369)	Label (12369)	Etiquette (12369)	Klebzettel (12369)
16	14360716/0	1	Etichetta (4678)	Label (4678)	Etiquette (4678)	Klebzettel (4678)
17	14360719/0	1	Etichetta	Label	Etiquette	Klebzettel
Nei modelli con innesto Cruise Control:				For models with Cruise Control:	Dans les modèles avec Cruise Control:	Bei Modellen mit Cruise Control:
20	11436512/0	1	Etichetta	Label	Etiquette	Klebzettel

Per motore / For engine / Pour moteur / Für Motor:

- (1) B&S 10,5 - 11,5 - 12,5 - 13,5 HP
- (2) B&S 15,5 HP
- (3) B&S 16,5 - 17,5 - 18,5 HP
- (4) B&S 20 - 22 - 24 HP
- (5) GGP ENGINE 13,5 - 14 - 14,5 - 16 HP
- (6) HONDA GCV 530
- (7) HONDA GXV 660
- (8) KOHLER 16 - 18 HP

