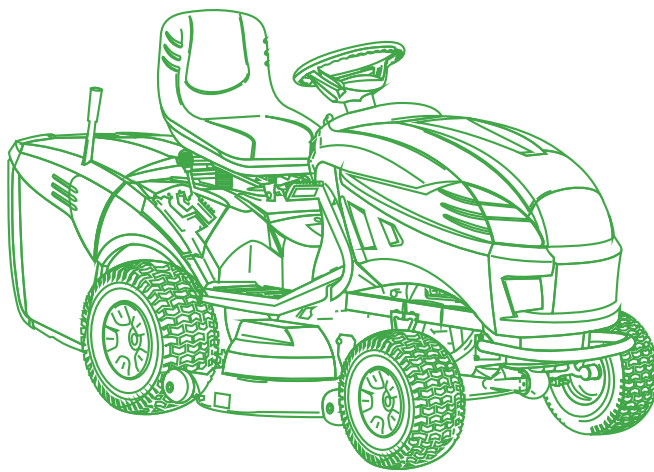


ILLUSTRATED PARTS LIST

TCS 102 Hydro



- Use GLOBAL GARDEN PRODUCT Genuine Spare Parts specified in the parts list for repair and/or replacement.
- The contents described in the parts list may change due to improvement.
- The drawings of the spare parts are only indicative and might not represent the part in question exactly.
- The indications "right" - "left" - "front" - "rear" refer to the position of the operator when using the machine.
- When placing orders of parts for repair and/or replacement, make sure that the illustrated parts list is the one applying to the machine's year of manufacture, as shown on the identification plate attached to the machine.

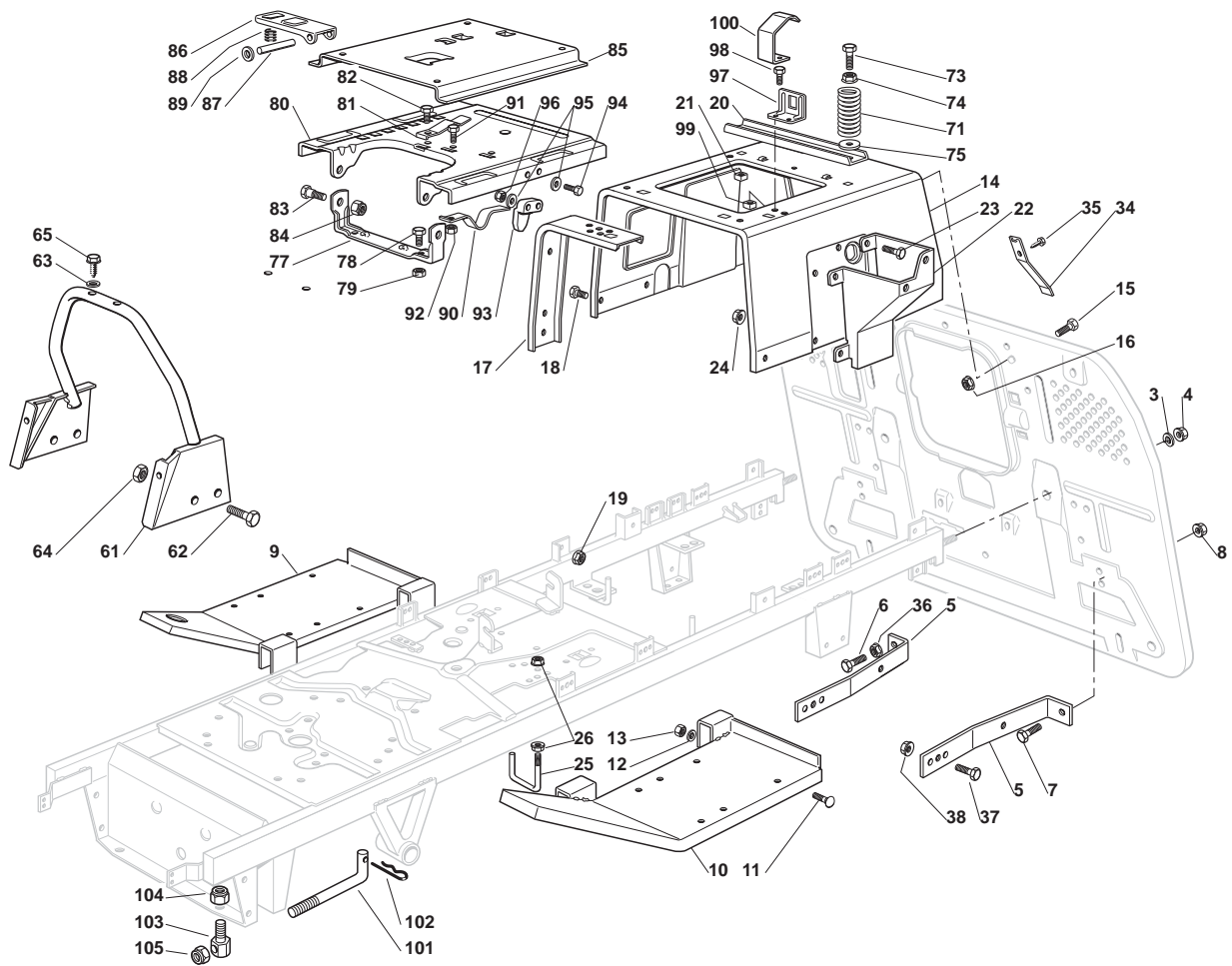
© Copyright 2013 Global Garden Products

All content is subject to copyright by Global Garden Products and may not be reproduced in whole or in part by any means, electronic or otherwise, without prior written approval.

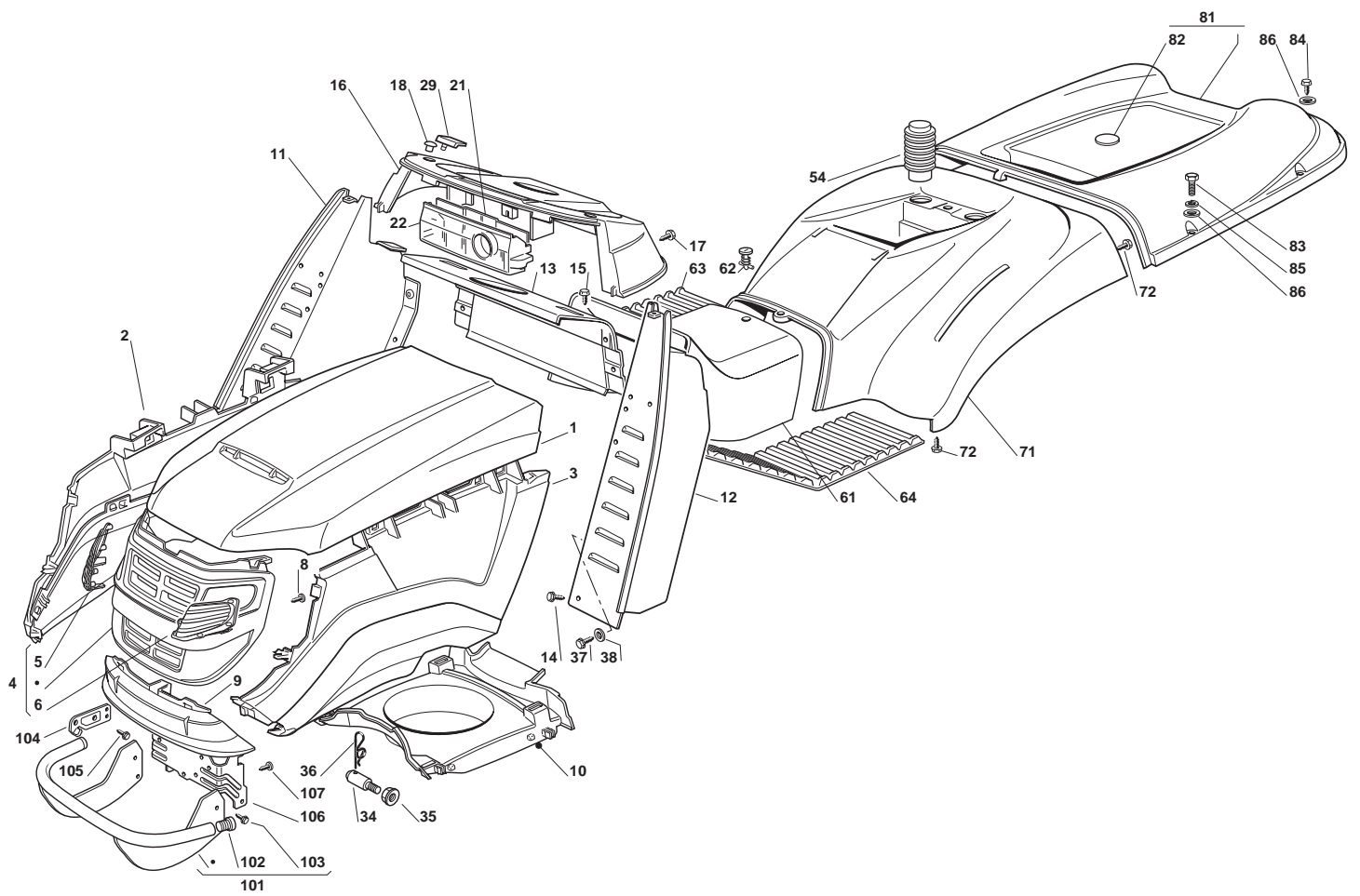
THIS INFORMATION IS NOT INTENDED FOR SALE OR RESALE, AND THIS NOTICE MUST REMAIN ON ALL COPIES.



GLOBAL GARDEN PRODUCTS



| Chassis | | | | | | | |
|---------|-------------|------|-------------------------|--------------------------|---------------------------|------------------------|-------|
| POS | CODE | Q.TY | DESCRIPTION | DESCRIZIONE | DESCRIPTION | BESCHREIBUNG | NOTES |
| 3 | 112585100/0 | 2 | Washer | Rosetta | Rondelle | Scheibe | |
| 4 | 112295200/0 | 2 | Hexagonal Nut | Dado | Ecrou | Mutter | |
| 5 | 325774273/1 | 2 | Stiffening | Rinforzo | Renforcement | Verstaerkung | |
| 6 | 112691100/0 | 1 | Screw | Vite | Vis | Schraube | |
| 7 | 112793102/0 | 3 | Screw | Vite | Vis | Schraube | |
| 8 | 112293201/0 | 4 | Nut | Dado | Ecrou | Mutter | |
| 9 | 382510041/2 | 1 | Right Footboard Support | Supporto Pedana Destra | Marchepied Droit Support | Rechte Fussbretthalter | |
| 10 | 382510043/2 | 1 | Left Footboard Support | Supporto Pedana Sinistra | Support Marchepied Gauche | Linke Fussbretthalter | |
| 11 | 112815245/0 | 4 | Screw | Vite | Vis | Schraube | |
| 12 | 112523040/0 | 4 | Washer | Rosetta | Rondelle | Scheibe | |
| 13 | 112154510/0 | 4 | Nut | Dado | Ecrou | Mutter | |
| 14 | 325785133/5 | 1 | Seat Support | Supporto Sedile | Support Siege | Sitzhalter | |
| 15 | 112791011/0 | 5 | Screw | Vite | Vis | Schraube | |
| 16 | 112292102/0 | 5 | Nut | Dado | Ecrou | Mutter | |
| 17 | 325650065/0 | 2 | Stiffening | Rinforzo | Renforcement | Verstaerkung | |
| 18 | 112791011/0 | 6 | Screw | Vite | Vis | Schraube | |
| 19 | 112292102/0 | 6 | Nut | Dado | Ecrou | Mutter | |
| 20 | 325650067/0 | 1 | Stiffening | Rinforzo | Renforcement | Verstaerkung | |
| 21 | 112360420/0 | 2 | Nut | Dado | Ecrou | Mutter | |
| 22 | 325785137/1 | 1 | Support | Supporto | Support | Halter | |
| 23 | 112791011/0 | 4 | Screw | Vite | Vis | Schraube | |
| 24 | 112292102/0 | 4 | Nut | Dado | Ecrou | Mutter | |
| 25 | 125580019/0 | 1 | Belt Guide | Guidacnghia | Guide De Courroie | Riemenfuehrung | |
| 26 | 112292102/0 | 2 | Nut | Dado | Ecrou | Mutter | |
| 34 | 125430238/0 | 1 | Spring | Molla | Ressort | Feder | |
| 35 | 112731580/0 | 1 | Screw | Vite | Vis | Schraube | |
| 36 | 112293200/0 | 1 | Hexagonal Nut | Dado | Ecrou | Mutter | |
| 37 | 112793102/0 | 2 | Screw | Vite | Vis | Schraube | |
| 38 | 112293201/0 | 2 | Nut | Dado | Ecrou | Mutter | |
| 61 | 382650045/0 | 1 | Chassis | Chassis | Chassis | Chassis | |
| 62 | 112792611/0 | 4 | Screw | Vite | Vis | Schraube | |
| 63 | 112521330/0 | 2 | Washer | Rosetta | Rondelle | Scheibe | |
| 64 | 112292102/0 | 4 | Nut | Dado | Ecrou | Mutter | |
| 65 | 112731350/0 | 2 | Screw | Vite | Vis | Schraube | |
| 71 | 125430205/1 | 2 | Spring | Molla | Ressort | Feder | |
| 73 | 125943001/1 | 2 | Screw | Vite | Vis | Schraube | |
| 74 | 112293201/0 | 2 | Nut | Dado | Ecrou | Mutter | |
| 75 | 112523070/0 | 2 | Washer | Rosetta | Rondelle | Scheibe | |
| 77 | 382774207/0 | 1 | Seat Clamp Support | Staffa Supporto Sedile | Etrier Support Siege | Bride F. Sitzhalter | |
| 78 | 112792611/0 | 2 | Screw | Vite | Vis | Schraube | |
| 79 | 112293201/0 | 2 | Nut | Dado | Ecrou | Mutter | |
| 80 | 325785149/2 | 1 | Fixed Seat Support | Supporto Sedile Fisso | Support Siege Fixe | Fest Sitzhalter | |
| 81 | 125430203/1 | 1 | Spring | Molla | Ressort | Feder | |
| 82 | 112731580/0 | 1 | Screw | Vite | Vis | Schraube | |
| 83 | 122524970/2 | 2 | Fulcrum Pin | Perno | Pivot | Bolzen | |
| 84 | 112155010/0 | 2 | Self-Locking Nut | Dado Autobloccante | Écrou auto-bloquant | Selbstsichernde Mutter | |
| 85 | 325785147/1 | 1 | Seat Support | Supporto Sedile | Support Siege | Sitzhalter | |
| 86 | 325318109/1 | 1 | Stop Lever | Leva Arresto | Levier D'Arret | Abstellhebel | |
| 87 | 125510000/0 | 1 | Pin | Perno | Pivot | Bolzen | |
| 88 | 125430202/1 | 1 | Spring | Molla | Ressort | Feder | |
| 89 | 112604897/0 | 2 | Elastic Washer | Disco Elastico | Disque Elastique | Federscheibe | |
| 90 | 125430223/2 | 1 | Spring | Molla | Ressort | Feder | |
| 91 | 112789000/0 | 1 | Screw | Vite | Vis | Schraube | |
| 92 | 112154330/0 | 1 | Low Self-Locking Nut | Dado Autobloccante | Écrou auto-bloquant | Selbstsichernde Mutter | |
| 93 | 325060049/0 | 1 | Seat Switch Cam | Camma Azionamento | Came Interrupteur Siege | Nocken | |
| 94 | 112815050/0 | 2 | Screw | Vite | Vis | Schraube | |
| 95 | 112521320/0 | 4 | Washer | Rosetta | Rondelle | Scheibe | |
| 96 | 112154330/0 | 2 | Low Self-Locking Nut | Dado Autobloccante | Écrou auto-bloquant | Selbstsichernde Mutter | |
| 97 | 325755025/1 | 1 | Bracket | Staffa | Etrier | Bride | |
| 98 | 112735110/0 | 2 | Screw | Vite | Vis | Schraube | |
| 99 | 112437502/0 | 2 | Plate | Piastra | Plaque | Platte | |
| 100 | 325430255/0 | 1 | Spring | Molla | Ressort | Feder | |
| 101 | 125510119/0 | 2 | Tie Rod | Tirante | Tirant | Spannstange | |
| 102 | 124487997/0 | 2 | Cotter Pin | Coppiglia | Goupille | Split | |
| 103 | 125510040/1 | 2 | Pin | Perno | Pivot | Bolzen | |
| 104 | 112155000/0 | 2 | Nut | Dado | Ecrou | Mutter | |
| 105 | 112155000/0 | 2 | Nut | Dado | Ecrou | Mutter | |

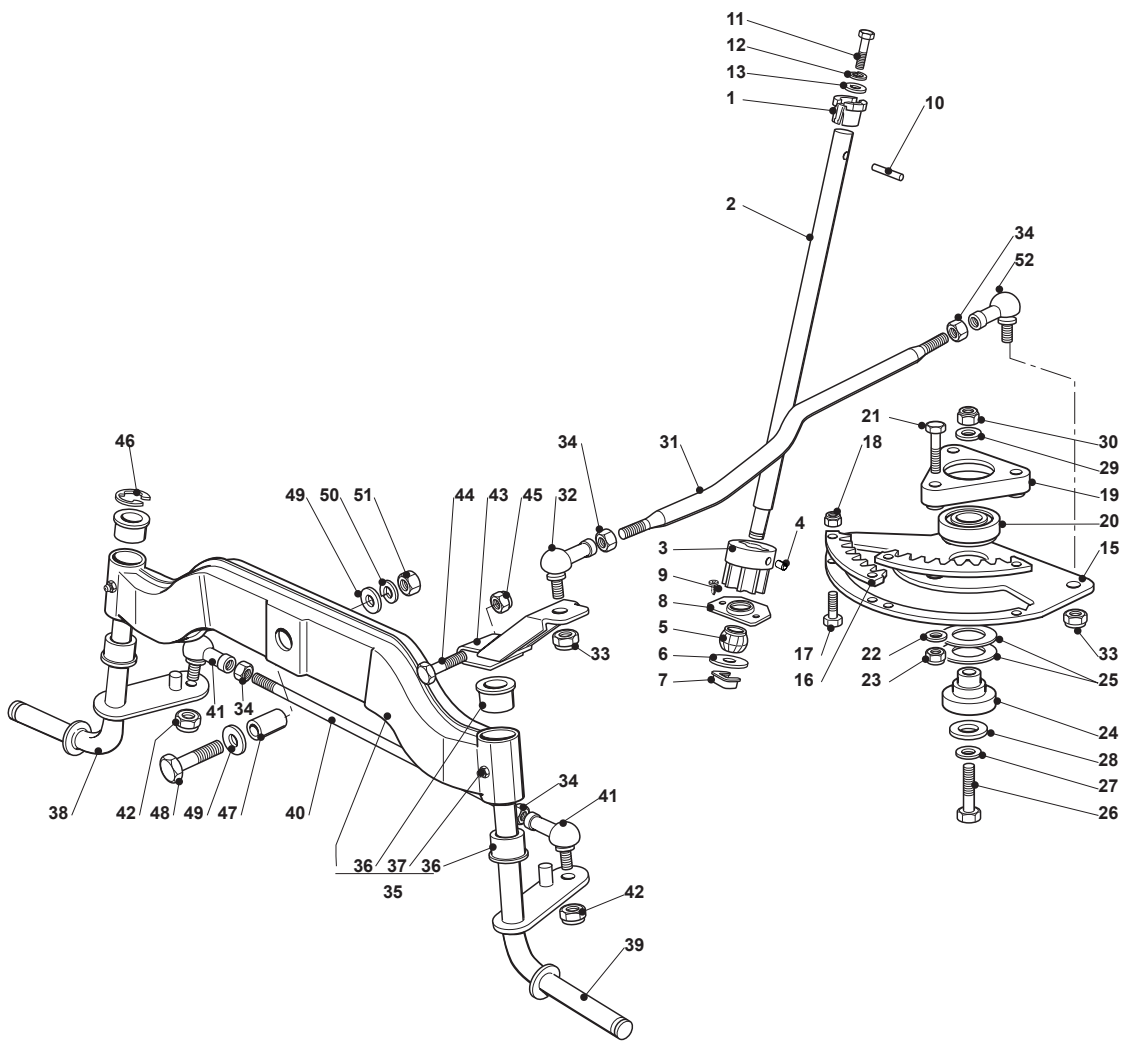


| Body | | | | | | | | In parts list notes identify as model with Bi-Light TCS |
|------|-------------|------|---------------------------|----------------------------------|---------------------------------------|---------------------------|--|---|
| POS | CODE | Q.TY | DESCRIPTION | DESCRIZIONE | DESCRIPTION | BESCHREIBUNG | NOTES | |
| 1 | 325076871/0 | 1 | Upper Engine Hood, Red | Cofano Superiore Rosso | Capot Rouge | Haubesatz Rot | | |
| 2 | 382394620/0 | 1 | Hood, Right | Cofano Dx | Capot Droit | Haubesatz Richtig | | |
| 3 | 382394621/0 | 1 | Hood, Left | Cofano Sx | Capot Gauche | Haubesatz Verließ | | |
| 4 | 382394628/0 | 1 | Hood, Front | Cofano Frontale | Capot Avant | Vorde Haube | | |
| 5 | 325410881/0 | 1 | Right Grill | Mascherina Destra | Panneau Droit | Rechte Schutz | | |
| 6 | 325410882/0 | 1 | Left Grill | Mascherina Sinistra | Panneau Gauche | Linke Schutz | | |
| 8 | 112735403/0 | 6 | Screw | Vite | Vis | Schraube | | |
| 9 | 325076877/0 | 1 | Lower Red Hood, Front | Cofano Frontale Inferiore | Capot Avant | Vorde Haube | | |
| 10 | 325108031/0 | 1 | Conveyor | Convogliatore | Convoyeur | Konveyor | | |
| 11 | 382785022/9 | 1 | Right Dashboard Support | Supp. Cruscotto Destro | Support Tableau Droit | Rechter Konsolehalter | | |
| 12 | 382785021/8 | 1 | Left Dashboard Support | Supp. Cruscotto Sinistro | Support Tableau Gauche | Linker Konsolehalter | | |
| 13 | 382785137/0 | 1 | Central Dashboard Support | Supporto Cruscotto Centrale | Support Tableau Centr. | Zentr. Konsole Halter | | |
| 14 | 112735110/0 | 2 | Screw | Vite | Vis | Schraube | | |
| 15 | 112735110/0 | 4 | Screw | Vite | Vis | Schraube | | |
| 16 | 125120171/1 | 1 | Dashboard | Cruscotto | Console | Konsole | use only or model with grasscatcher lifting by hand | |
| 16 | 325120199/0 | 1 | Dashboard | Cruscotto | Console | Konsole | use only or model with grasscatcher electric lifting | |
| 17 | 112728440/0 | 4 | Screw | Vite | Vis | Schraube | | |
| 18 | 125120200/0 | 2 | Cap | Tappo | Bouchon | Stopfen | | |
| 21 | 125600009/0 | 1 | Rear Card Protection | Protezione Scheda Elettronica | Protection Carte Electronique arriere | Platinenschutz | | |
| 22 | 125600051/0 | 1 | Protection | Protezione | Protection | Schutz | | |
| 29 | 125260000/0 | 2 | Grommet | Gommino | Caoutchouc | Gummi | | |
| 34 | 125510079/1 | 2 | Pin | Perno | Pivot | Bolzen | | |
| 35 | 112293201/0 | 2 | Nut | Dado | Ecrou | Mutter | | |
| 36 | 124487998/0 | 1 | Cotter Pin | Coppiglia | Goupille | Split | | |
| 37 | 112731350/0 | 2 | Screw | Vite | Vis | Schraube | | |
| 38 | 112521330/0 | 2 | Washer | Rosetta | Rondelle | Scheibe | | |
| 54 | 325122000/2 | 2 | Spring | Molla | Ressort | Feder | | |
| 61 | 325110239/1 | 1 | Red Central Cover (Hydro) | Copertura Centrale Rosso (Hydro) | Couvre Central Rouge (Hydro) | Zentral-Kappe Rot (Hydro) | | |
| 62 | 125580020/2 | 1 | Pin | Perno | Pivot | Bolzen | | |
| 63 | 125110270/0 | 1 | Right Footboard Cover | Copripedana Destra | Couvre Marchepied Droit | Rechte Fussbrettdeckel | | |
| 64 | 125110260/2 | 1 | Left Footboard Cover | Copripedana Sinistra | Couvre Marchepied Gauche | Linke Fussbrettdeckel | | |
| 71 | 325109701/1 | 1 | Red Wheels Cover (Hydro) | Copertura Ruote (Hydro) Rosso | Couvre Roues (Hydro) Rouge | Radenkappe (Hydro) Rot | | |
| 72 | 112735402/0 | 4 | Screw | Vite | Vis | Schraube | | |
| 81 | 382110200/1 | 1 | Red Grass-catcher Cover | Copertura Sacco Rosso | Couvre-Bac, Rouge | Sackkappe, Rot | | |
| 82 | 125547025/0 | 1 | Plate Red | Piastrina Rossa | Plaquette Rouge | Plättchen Rot | | |
| 83 | 112674701/0 | 2 | Screw | Vite | Vis | Schraube | | |
| 84 | 112729601/1 | 4 | Screw | Vite | Vis | Schraube | | |
| 85 | 112582101/0 | 2 | Grower | Grower | Grower | Federring | | |
| 86 | 112521331/0 | 6 | Washer | Rosetta | Rondelle | Scheibe | | |
| 101 | 382869025/0 | 1 | Muffler Protection | Protezione Silenziatore | Protection Silencieux | Auspuffschutz | | |
| 102 | 118737860/0 | 2 | Cap | Tappo | Bouchon | Stopfen | | |
| 103 | 112734995/0 | 4 | Screw | Vite | Vis | Schraube | | |
| 104 | 325547159/1 | 2 | Plate | Piastra | Plaque | Platte | | |
| 105 | 112731580/0 | 4 | Screw | Vite | Vis | Schraube | | |
| 106 | 325774301/2 | 1 | Engine Hood Support | Supporto Cofano | Support Capot | Halter, Haube | | |
| 107 | 112735403/0 | 5 | Screw | Vite | Vis | Schraube | | |

Body

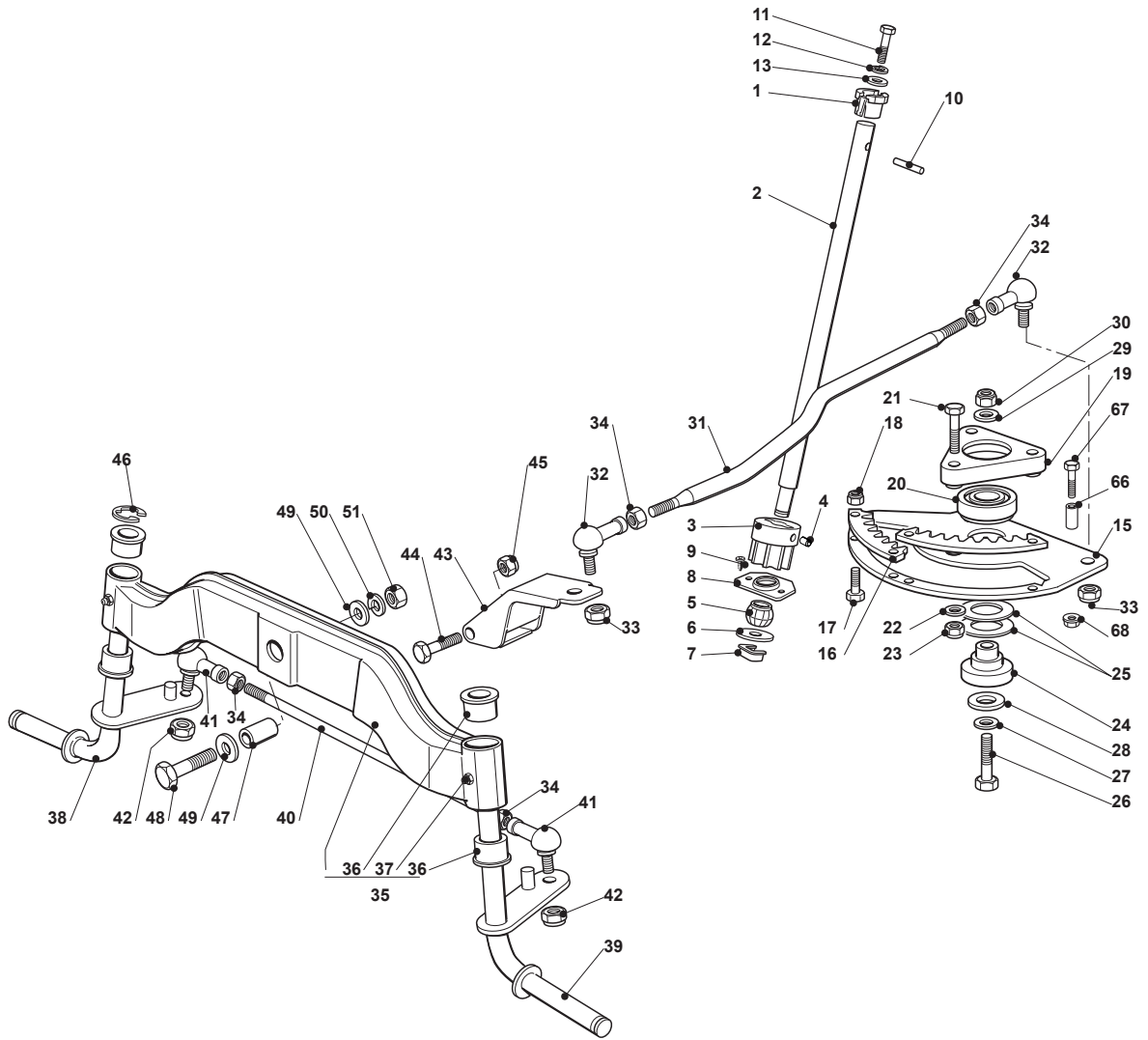
In parts list notes identify as model with Mono-Light TCS

| POS | CODE | Q.TY | DESCRIPTION | DESCRIZIONE | DESCRIPTION | BESCHREIBUNG | NOTES |
|-----|-------------|------|---------------------------|----------------------------------|---------------------------------------|---------------------------|--|
| 1 | 325076871/0 | 1 | Upper Engine Hood, Red | Cofano Superiore Rosso | Capot Rouge | Haubesatz Rot | |
| 2 | 382394620/0 | 1 | Hood, Right | Cofano Dx | Capot Droit | Haubesatz Richtig | |
| 3 | 382394621/0 | 1 | Hood, Left | Cofano Sx | Capot Gauche | Haubesatz Verließ | |
| 6 | 382394618/0 | 1 | Hood, Front | Cofano Frontale | Capot Avant | Vorde Haube | |
| 7 | 325410878/0 | 1 | Grill | Grill | Grill | Grill | |
| 8 | 112735403/0 | 6 | Screw | Vite | Vis | Schraube | |
| 9 | 325076877/0 | 1 | Lower Red Hood, Front | Cofano Frontale Inferiore | Capot Avant | Vorde Haube | |
| 10 | 325108031/0 | 1 | Conveyor | Convogliatore | Convoyeur | Konveyor | |
| 11 | 382785022/9 | 1 | Right Dashboard Support | Supp. Cruscotto Destro | Support Tableau Droit | Rechter Konsolehalter | |
| 12 | 382785021/8 | 1 | Left Dashboard Support | Supp. Cruscotto Sinistro | Support Tableau Gauche | Linker Konsolehalter | |
| 13 | 382785137/0 | 1 | Central Dashboard Support | Supporto Cruscotto Centrale | Support Tableau Centr. | Zentr. Konsole Halter | |
| 14 | 112735110/0 | 2 | Screw | Vite | Vis | Schraube | |
| 15 | 112735110/0 | 4 | Screw | Vite | Vis | Schraube | |
| 16 | 125120171/1 | 1 | Dashboard | Cruscotto | Console | Konsole | use only or model with grasscatcher lifting by hand |
| 16 | 325120199/0 | 1 | Dashboard | Cruscotto | Console | Konsole | use only or model with grasscatcher electric lifting |
| 17 | 112728440/0 | 4 | Screw | Vite | Vis | Schraube | |
| 18 | 125120200/0 | 2 | Cap | Tappo | Bouchon | Stopfen | |
| 21 | 125600009/0 | 1 | Rear Card Protection | Protezione Scheda Elettronica | Protection Carte Electronique arriere | Platinenschutz | |
| 22 | 125600051/0 | 1 | Protection | Protezione | Protection | Schutz | |
| 29 | 125260000/0 | 2 | Grommet | Gommino | Caoutchouc | Gummi | |
| 34 | 125510079/1 | 2 | Pin | Perno | Pivot | Bolzen | |
| 35 | 112293201/0 | 2 | Nut | Dado | Ecrou | Mutter | |
| 36 | 124487998/0 | 1 | Cotter Pin | Coppiglia | Goupille | Split | |
| 37 | 112731350/0 | 2 | Screw | Vite | Vis | Schraube | |
| 38 | 112521330/0 | 2 | Washer | Rosetta | Rondelle | Scheibe | |
| 54 | 325122000/2 | 2 | Spring | Molla | Ressort | Feder | |
| 61 | 325110239/1 | 1 | Red Central Cover (Hydro) | Copertura Centrale Rosso (Hydro) | Couvre Central Rouge (Hydro) | Zentral-Kappe Rot (Hydro) | |
| 62 | 125580020/2 | 1 | Pin | Perno | Pivot | Bolzen | |
| 63 | 125110270/0 | 1 | Right Footboard Cover | Copripedana Destra | Couvre Marchepied Droit | Rechte Fussbrettdeckel | |
| 64 | 125110260/2 | 1 | Left Footboard Cover | Copripedana Sinistra | Couvre Marchepied Gauche | Linke Fussbrettdeckel | |
| 71 | 325109701/1 | 1 | Red Wheels Cover (Hydro) | Copertura Ruote (Hydro) Rosso | Couvre Roues (Hydro) Rouge | Radenkappe (Hydro) Rot | |
| 72 | 112735402/0 | 4 | Screw | Vite | Vis | Schraube | |
| 81 | 382110200/1 | 1 | Red Grass-catcher Cover | Copertura Sacco Rosso | Couvre-Bac, Rouge | Sackkappe, Rot | |
| 82 | 325547025/1 | 1 | Plate Red | Piastrina Rossa | Plaquette Rouge | Plättchen Rot | |
| 83 | 112674701/0 | 2 | Screw | Vite | Vis | Schraube | |
| 84 | 112729601/1 | 4 | Screw | Vite | Vis | Schraube | |
| 85 | 112582101/0 | 2 | Grower | Grower | Grower | Federring | |
| 86 | 112521331/0 | 6 | Washer | Rosetta | Rondelle | Scheibe | |
| 101 | 382869025/0 | 1 | Muffler Protection | Protezione Silenziatore | Protection Silencieux | Auspuffschutz | |
| 102 | 118737860/0 | 2 | Cap | Tappo | Bouchon | Stopfen | |
| 103 | 112734995/0 | 4 | Screw | Vite | Vis | Schraube | |
| 104 | 325547159/1 | 2 | Plate | Piastra | Plaque | Platte | |
| 105 | 112731580/0 | 4 | Screw | Vite | Vis | Schraube | |
| 106 | 325774301/2 | 1 | Engine Hood Support | Supporto Cofano | Support Capot | Halter, Haube | |
| 107 | 112735403/0 | 5 | Screw | Vite | Vis | Schraube | |



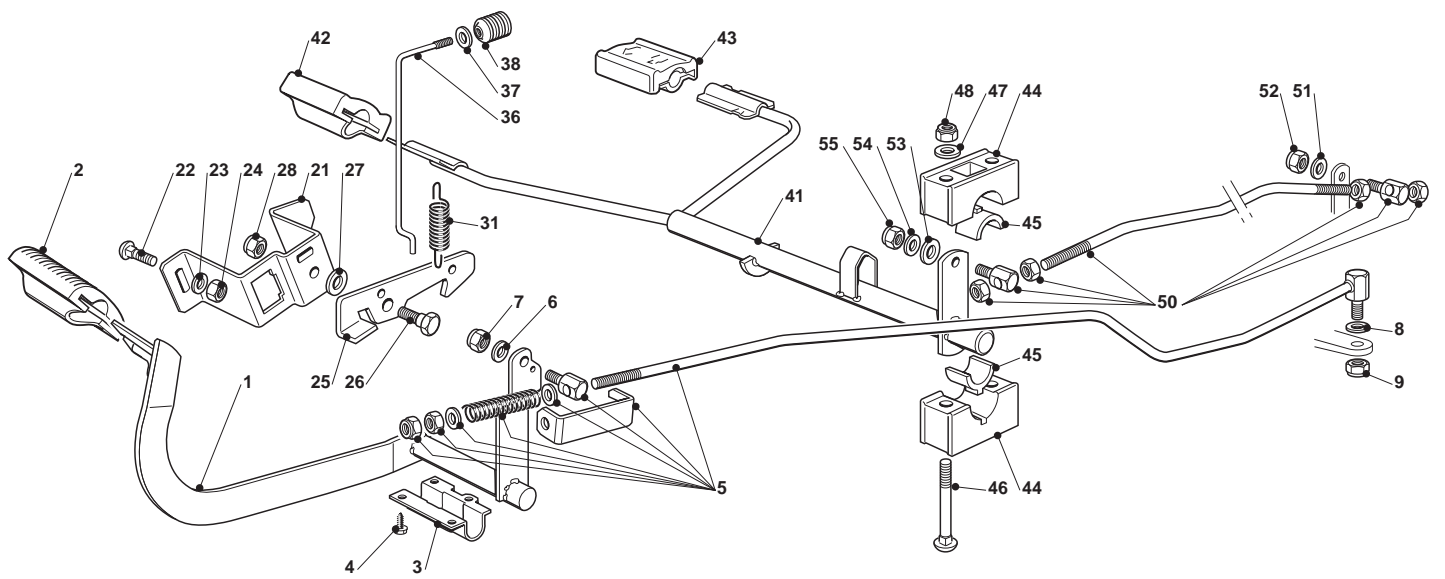
Steering 13"

| POS | CODE | Q.TY | DESCRIPTION | DESCRIZIONE | DESCRIPTION | BESCHREIBUNG | NOTES |
|-----|-------------|------|------------------------------------|--|-------------------------------------|-------------------------------------|-------|
| 1 | 325038004/0 | 1 | Bush | Bussola | Douille | Büchse | |
| 2 | 125520010/0 | 1 | Steering Column | Piantone Sterzo | Tube De Direction | Lenkungsaeule | |
| 3 | 125570004/0 | 1 | Pinion | Pignone | | Ritzel | |
| 4 | 112714300/0 | 1 | Dowel | Grano | Grain | Stift | |
| 5 | 325743000/0 | 1 | Joint Tc/Junior | Snodo | Joint | Gelenk | |
| 6 | 112521370/0 | 1 | Washer | Rosetta | Rondelle | Scheibe | |
| 7 | 112436030/0 | 1 | Plate | Piastra | Plaque | Platte | |
| 8 | 325785213/1 | 1 | Support | Supporto | Support | Halter | |
| 9 | 112729601/1 | 2 | Screw | Vite | Vis | Schraube | |
| 10 | 112620250/0 | 1 | Pin | Perno | Pivot | Bolzen | |
| 11 | 112691800/0 | 1 | Screw | Vite | Vis | Schraube | |
| 12 | 112583500/0 | 1 | Grower | Grower | Grower | Federring | |
| 13 | 112523060/0 | 1 | Washer | Rosetta | Rondelle | Scheibe | |
| 15 | 325735523/0 | 1 | Steering Shaft | Settore Sterzo | Secteur Direction | Lenkkranz | |
| 16 | 325150000/0 | 2 | Rack | Rack | Rack | Rack | |
| 17 | 112791213/1 | 4 | Screw | Vite | Vis | Schraube | |
| 18 | 112154510/0 | 4 | Nut | Dado | Ecrou | Mutter | |
| 19 | 325774453/0 | 1 | Clamp | Staffa | Etrier | Bride | |
| 20 | 119216047/0 | 1 | Bearing | Cuscinetto | Roul. À Billes | Kugellager | |
| 21 | 112691100/0 | 3 | Screw | Vite | Vis | Schraube | |
| 22 | 112523060/0 | 3 | Washer | Rosetta | Rondelle | Scheibe | |
| 23 | 112155000/0 | 3 | Nut | Dado | Ecrou | Mutter | |
| 24 | 125510120/0 | 1 | Support | Supporto | Support | Halter | |
| 25 | 322672153/0 | 2 | Antifriction Washer | Rondella Antifrizione | Rondelle Antifriction | Anti Friktionswäscher | |
| 26 | 112692395/1 | 1 | #N/D | #N/D | #N/D | #N/D | |
| 27 | 112523080/0 | 1 | Washer | Rosetta | Rondelle | Scheibe | |
| 28 | 112521390/0 | 1 | Washer | Rosetta | Rondelle | Scheibe | |
| 29 | 112523080/0 | 1 | Washer | Rosetta | Rondelle | Scheibe | |
| 30 | 112156602/0 | 1 | Nut | Dado | Ecrou | Mutter | |
| 31 | 125033003/1 | 1 | Steering Rod | Asta Comando Sterzo | Levier Barre De Direction | Lenkungsstab | |
| 32 | 122746609/0 | 2 | Joint | Snodo | Joint | Gelenk | |
| 33 | 112156602/0 | 4 | Nut | Dado | Ecrou | Mutter | |
| 34 | 112295201/0 | 4 | Nut | Dado | Ecrou | Mutter | |
| 35 | 382034001/3 | 1 | Equalizer With Bush And Lubricator | Bilanciere Con Boccola Ed Ingrassatore | Balancier Avec Douille Et Graisseur | Kipphebel Mit Büchse Und Fettbüchse | |
| 36 | 125034002/1 | 4 | Bush | Bussola | Douille | Büchse | |
| 37 | 112379511/0 | 2 | Grease Dispenser | Ingrassatore | Graisseur | Fettbüchse | |
| 38 | 382230349/0 | 1 | Right Stub Axle | Fusello Destro | Fuseau Droit | Rechter Achsschenkel | |
| 39 | 382230348/0 | 1 | Left Stub Axle | Fusello Sinistro | Fuseau Gauche | Linker Achsschenkel | |
| 40 | 325840001/0 | 1 | Tie Rod | Tirante | Tirant | Spannstange | |
| 41 | 122746600/0 | 2 | Joint | Snodo | Joint | Gelenk | |
| 42 | 112156602/0 | 2 | Nut | Dado | Ecrou | Mutter | |
| 43 | 382318101/0 | 1 | Lever Ass.Y | Assieme Leva | Ens. Levier | Schneidwerkzeug Aufhebenhebe | |
| 44 | 112691700/0 | 1 | Screw | Vite | Vis | Schraube | |
| 45 | 112155000/0 | 1 | Nut | Dado | Ecrou | Mutter | |
| 46 | 112001000/0 | 1 | Benzing Ring | Anello Benzing | Anneau Benzing | Ring Benzing | |
| 47 | 125160005/0 | 1 | Spacer | Distanziale | Entretoise | Distanzring | |
| 48 | 112694100/0 | 1 | Screw | Vite | Vis | Schraube | |
| 49 | 112521390/0 | 2 | Washer | Rosetta | Rondelle | Scheibe | |
| 50 | 112587900/0 | 1 | Grower | Grower | Grower | Federring | |
| 51 | 112295800/0 | 1 | Hexagonal Nut | Dado | Ecrou | Mutter | |
| 52 | 122746616/0 | 2 | Joint | Snodo | Joint | Gelenk | |

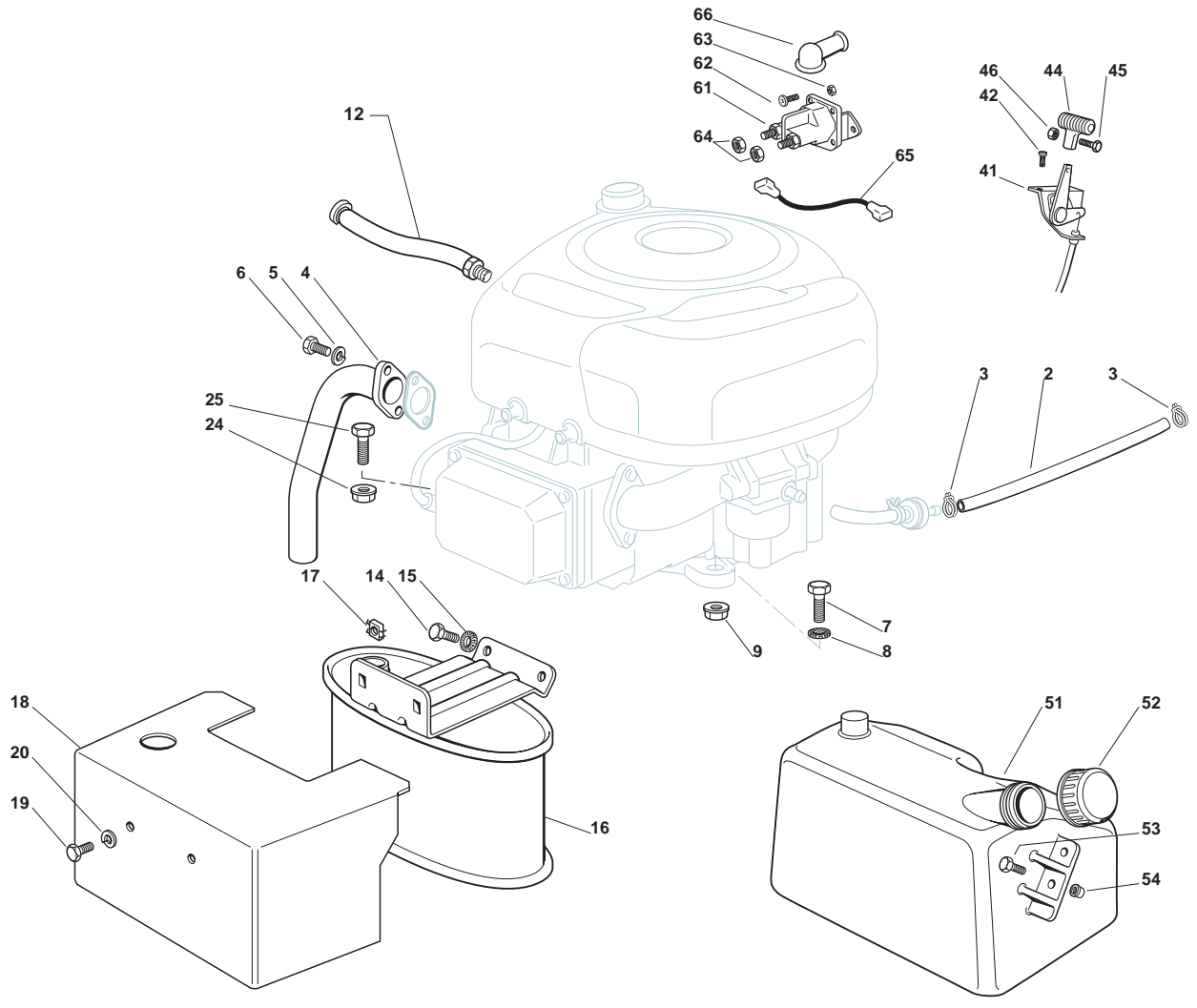


Steering 15"

| POS | CODE | Q.TY | DESCRIPTION | DESCRIZIONE | DESCRIPTION | BESCHREIBUNG | NOTES |
|-----|-------------|------|------------------------------------|--|-------------------------------------|-------------------------------------|-------|
| 1 | 325038004/0 | 1 | Bush | Bussola | Douille | Büchse | |
| 2 | 125520010/0 | 1 | Steering Column | Piantone Sterzo | Tube De Direction | Lenkungsaeule | |
| 3 | 125570004/0 | 1 | Pinion | Pignone | Pignon | Ritzel | |
| 4 | 112714300/0 | 1 | Dowel | Grano | Grain | Stift | |
| 5 | 325743000/0 | 1 | Joint Tc/Junior | Snodo | Joint | Gelenk | |
| 6 | 112521370/0 | 1 | Washer | Rosetta | Rondelle | Scheibe | |
| 7 | 112436030/0 | 1 | Plate | Piastra | Plaque | Platte | |
| 8 | 325785213/1 | 1 | Support | Supporto | Support | Halter | |
| 9 | 112729601/1 | 2 | Screw | Vite | Vis | Schraube | |
| 10 | 112620250/0 | 1 | Pin | Perno | Pivot | Bolzen | |
| 11 | 112691800/0 | 1 | Screw | Vite | Vis | Schraube | |
| 12 | 112583500/0 | 1 | Grower | Grower | Grower | Federring | |
| 13 | 112523060/0 | 1 | Washer | Rosetta | Rondelle | Scheibe | |
| 15 | 325735523/0 | 1 | Steering Shaft | Settore Sterzo | Secteur Direction | Lenkkranz | |
| 16 | 325150000/0 | 2 | Rack | Rack | Rack | Rack | |
| 17 | 112791213/1 | 4 | Screw | Vite | Vis | Schraube | |
| 18 | 112154510/0 | 4 | Nut | Dado | Ecrou | Mutter | |
| 19 | 325774453/0 | 1 | Clamp | Staffa | Etrier | Bride | |
| 20 | 119216047/0 | 1 | Bearing | Cuscinetto | Roul. À Billes | Kugellager | |
| 21 | 112691100/0 | 3 | Screw | Vite | Vis | Schraube | |
| 22 | 112523060/0 | 3 | Washer | Rosetta | Rondelle | Scheibe | |
| 23 | 112155000/0 | 3 | Nut | Dado | Ecrou | Mutter | |
| 24 | 125510120/0 | 1 | Support | Supporto | Support | Halter | |
| 25 | 322672153/0 | 2 | Antifriction Washer | Rondella Antifrizione | Rondelle Antifriction | Anti Friktionswäscher | |
| 26 | 112692395/1 | 1 | Screw | Vite | Vis | Schraube | |
| 27 | 112523080/0 | 1 | Washer | Rosetta | Rondelle | Scheibe | |
| 28 | 112521390/0 | 1 | Washer | Rosetta | Rondelle | Scheibe | |
| 29 | 112523080/0 | 1 | Washer | Rosetta | Rondelle | Scheibe | |
| 30 | 112156602/0 | 1 | Nut | Dado | Ecrou | Mutter | |
| 31 | 125033003/1 | 1 | Steering Rod | Asta Comando Sterzo | Barre De Direction | Lenkungsstab | |
| 32 | 122746600/0 | 2 | Joint | Snodo | Joint | Gelenk | |
| 32 | 122746616/0 | 2 | Joint | Snodo | Joint | Gelenk | |
| 33 | 122746609/0 | 2 | Joint | Snodo | Joint | Gelenk | |
| 34 | 112156602/0 | 4 | Nut | Dado | Ecrou | Mutter | |
| 35 | 382034001/3 | 1 | Equalizer With Bush And Lubricator | Bilanciere Con Boccola Ed Ingrassatore | Balancier Avec Douille Et Graisseur | Kipphebel Mit Büchse Und Fettbüchse | |
| 36 | 125034002/1 | 4 | Bush | Bussola | Douille | Büchse | |
| 37 | 112379511/0 | 2 | Grease Dispenser | Ingrassatore | Graisseur | Fettbüchse | |
| 38 | 382230361/1 | 1 | Right Stub Axle | Fusello Destro | Fuseau Droit | Rechter Achsschenkel | |
| 39 | 382230359/1 | 1 | Left Stub Axle | Fusello Sinistro | Fuseau Gauche | Linker Achsschenkel | |
| 40 | 325840001/0 | 1 | Tie Rod | Tirante | Tirant | Spannstange | |
| 41 | 122746616/0 | 2 | Joint | Snodo | Joint | Gelenk | |
| 42 | 112156602/0 | 2 | Nut | Dado | Ecrou | Mutter | |
| 43 | 382318185/0 | 1 | Lever Ass.Y | Assieme Leva | Ens. Levier | Schneidwerkzeug Aufhebenhebe | |
| 44 | 112692395/1 | 1 | Screw | Vite | Vis | Schraube | |
| 45 | 112156602/0 | 1 | Nut | Dado | Ecrou | Mutter | |
| 46 | 112001000/0 | 1 | Benzing Ring | Anello Benzing | Anneau Benzing | Ring Benzing | |
| 47 | 125160005/0 | 1 | Spacer | Distanziale | Entretoise | Distanzring | |
| 48 | 112694100/0 | 1 | Screw | Vite | Vis | Schraube | |
| 49 | 112521390/0 | 2 | Washer | Rosetta | Rondelle | Scheibe | |
| 50 | 112587900/0 | 1 | Grower | Grower | Grower | Federring | |
| 51 | 112295800/0 | 1 | Hexagonal Nut | Dado | Ecrou | Mutter | |
| 66 | 122167840/0 | 1 | Spacer | Distanziale | Entretoise | Distanzring | |
| 67 | 112691200/0 | 1 | Screw | Vite | Vis | Schraube | |
| 68 | 112293201/0 | 1 | Nut | Dado | Ecrou | Mutter | |

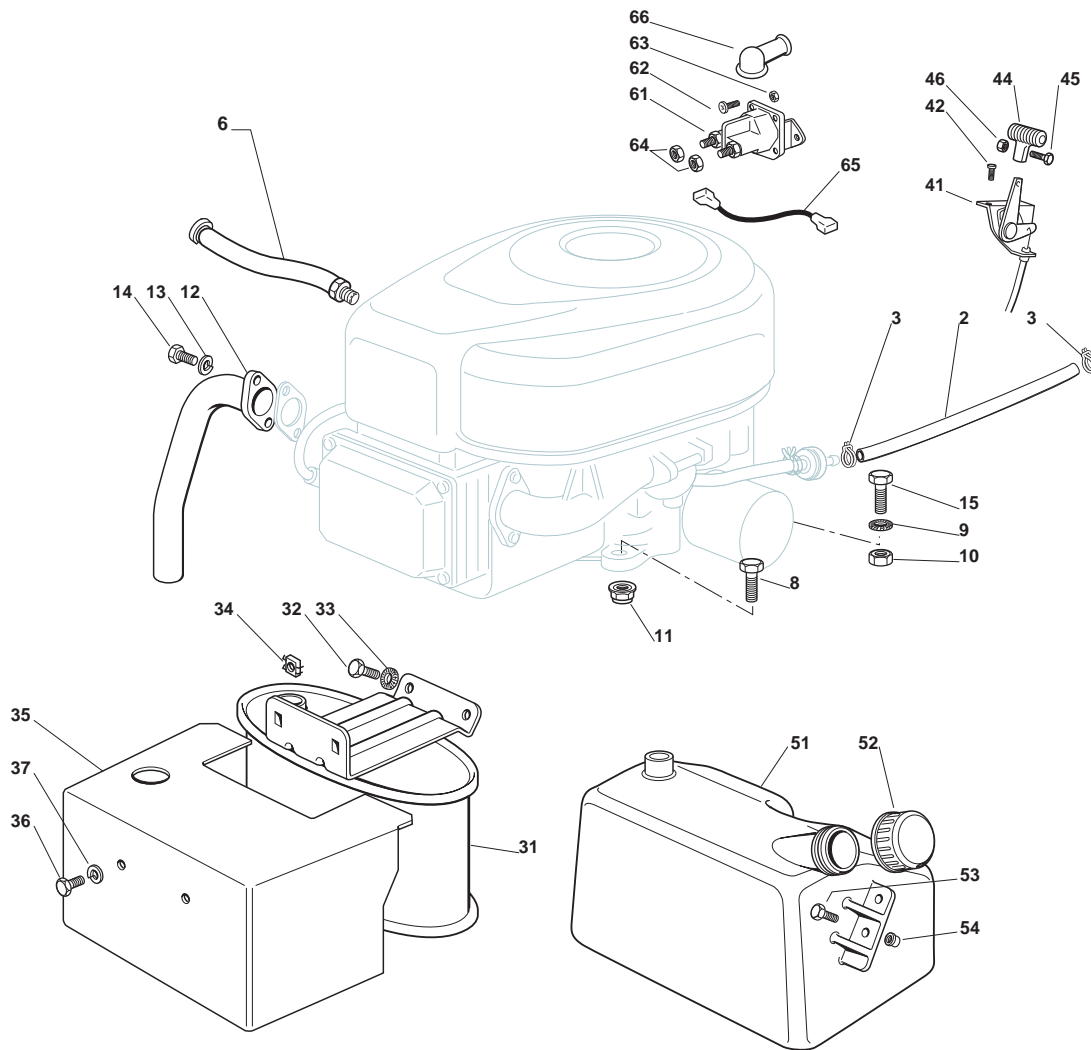


| Drive And Brake Controls | | | | | | | |
|--------------------------|-------------|------|---------------------|------------------------|-----------------------|-----------------------|-------|
| POS | CODE | Q.TY | DESCRIPTION | DESCRIZIONE | DESCRIPTION | BESCHREIBUNG | NOTES |
| 1 | 382500011/2 | 1 | Pedal | Pedale | Pedal | Pedal | |
| 2 | 325110416/0 | 1 | Clamp Cover | Copristaffa | Couvre Etrier | Bridedeckel | |
| 3 | 325547081/2 | 1 | Plate | Piastra | Plaque | Platte | |
| 4 | 112731601/0 | 4 | Screw | Vite | Vis | Schraube | |
| 5 | 382000582/0 | 1 | Rod | Asta | Tige | Stange | |
| 6 | 112521350/0 | 1 | Washer | Rosetta | Rondelle | Scheibe | |
| 7 | 112155000/0 | 1 | Nut | Dado | Ecrou | Mutter | |
| 8 | 112521360/0 | 2 | Washer | Rosetta | Rondelle | Scheibe | |
| 9 | 112155000/0 | 1 | Nut | Dado | Ecrou | Mutter | |
| 21 | 325785143/1 | 1 | Support | Supporto | Support | Halter | |
| 22 | 112815210/0 | 2 | Screw | Vite | Vis | Schraube | |
| 23 | 112523040/0 | 1 | Washer | Rosetta | Rondelle | Scheibe | |
| 24 | 112154510/0 | 2 | Nut | Dado | Ecrou | Mutter | |
| 25 | 325253001/0 | 1 | Hook | Gancio | Accrochage | Haken | |
| 26 | 122524970/2 | 1 | Fulcrum Pin | Perno Fulcro | Pivot | Gelenkpunkt | |
| 27 | 325670011/0 | 1 | Antifriction Washer | Rondella Antifrizione | Rondelle Antifriction | Anti Friktionswäscher | |
| 28 | 112155000/0 | 1 | Nut | Dado | Ecrou | Mutter | |
| 31 | 125430213/0 | 1 | Spring | Molla | Ressort | Feder | |
| 36 | 125033034/0 | 1 | Rod | Asta | Tige | Stange | |
| 37 | 125394509/1 | 1 | Knob | Manopola | Poignee | Knopf | |
| 38 | 112523020/0 | 1 | Washer | Rosetta | Rondelle | Scheibe | |
| 41 | 382000391/0 | 1 | Drive Pedal | Pedale Avanzamento | Pedale Transmission | Getriebepedal | |
| 42 | 325110417/0 | 1 | Clamp Cover Front | Copristaffa Anteriore | Couvre Etrier Avant | Bridedeckel Vorde | |
| 43 | 325110418/0 | 1 | Clamp Cover Rear | Copristaffa Posteriore | Couvre Etrier Arriere | Bridedeckel Hinter | |
| 44 | 325785354/0 | 4 | Support | Supporto | Support | Halter | |
| 45 | 325034003/0 | 4 | Brass | Bronzina | Douille | Buchse | |
| 46 | 112815271/0 | 4 | Screw | Vite | Vis | Schraube | |
| 47 | 112523040/0 | 4 | Washer | Rosetta | Rondelle | Scheibe | |
| 48 | 112154510/0 | 4 | Nut | Dado | Ecrou | Mutter | |
| 50 | 382000579/0 | 1 | Rod | Asta | Tige | Stange | |
| 51 | 112523040/0 | 1 | Washer | Rosetta | Rondelle | Scheibe | |
| 52 | 112154510/0 | 1 | Nut | Dado | Ecrou | Mutter | |
| 53 | 112521360/0 | 1 | Washer | Rosetta | Rondelle | Scheibe | |
| 54 | 112523040/0 | 1 | Washer | Rosetta | Rondelle | Scheibe | |
| 55 | 112154510/0 | 1 | Nut | Dado | Ecrou | Mutter | |



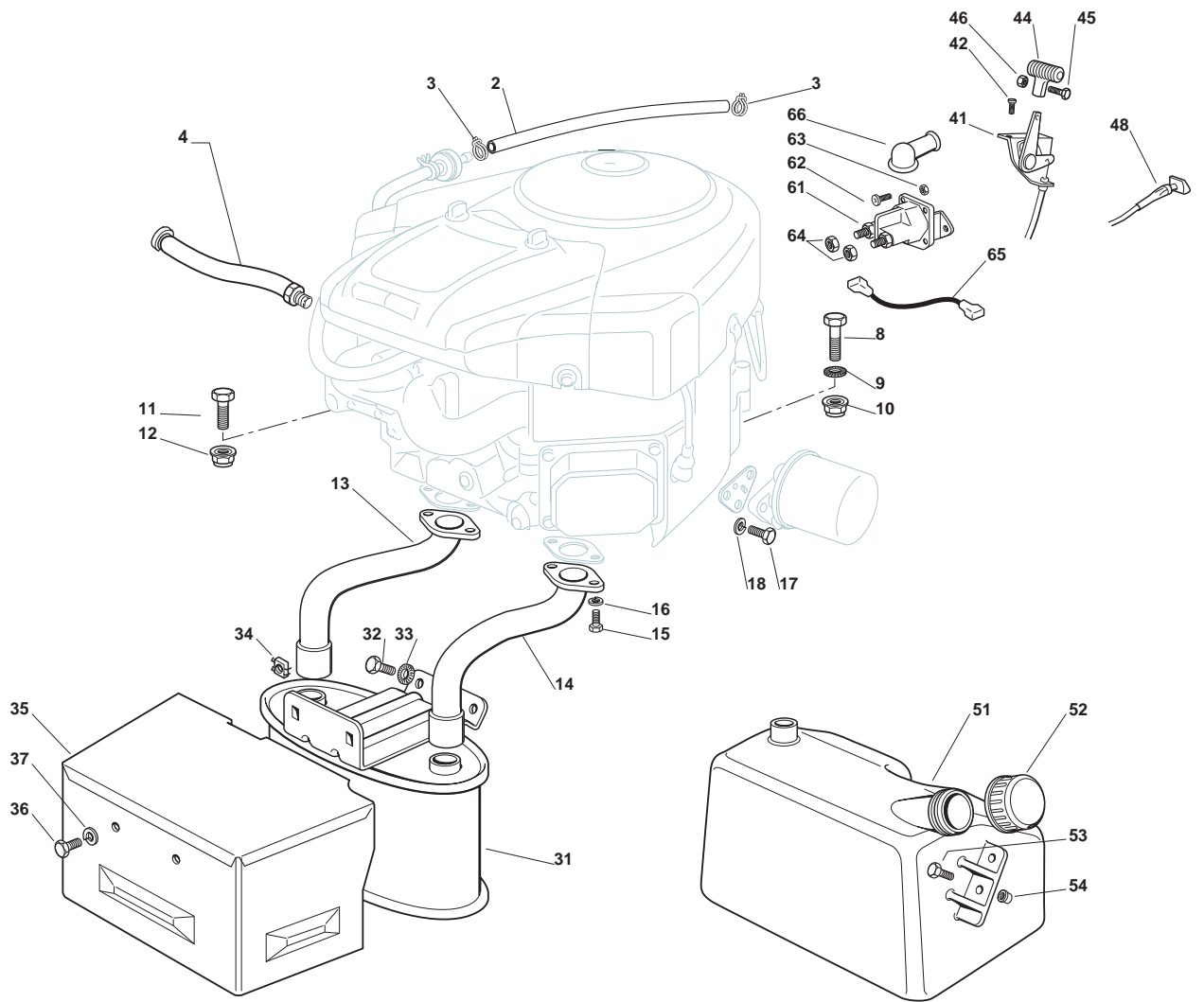
Engine - B&S 10.5 - 11.5 - 12.5 - 13.5 HP

| POS | CODE | Q.TY | DESCRIPTION | DESCRIZIONE | DESCRIPTION | BESCHREIBUNG | NOTES |
|-----|--------------|------|--------------------|-------------------------|-----------------------|------------------------|-------|
| 2 | 325869016/1 | 1 | Connecting Tube | Tubo Collegamento | Tube De Connexion | Verbindungsrohr | |
| 3 | 118375051/1 | 2 | Fair Led | Fascetta | Collier | Rohrschelle | |
| 4 | 118738224/0 | 1 | Exhaust Conn. Tube | Exhaust Conn. Tube | Exhaust Conn. Tube | Exhaust Conn. Tube | |
| 5 | 112583500/0 | 2 | Grower | Grower | Grower | Federring | |
| 6 | 112735530/0 | 2 | Screw | Vite | Vis | Schraube | |
| 7 | 112691115/0 | 1 | Screw | Vite | Vis | Schraube | |
| 8 | 112540260/0 | 1 | Grower | Grower | Grower | Federring | |
| 9 | 112154210/0 | 1 | Self-Locking Nut | Dado Autobloccante | Écrou auto-bloquant | Selbstsichernde Mutter | |
| 12 | 1134-5827-01 | 1 | Oil Drain Assy | Oil Drain Assy | Oil Drain Assy | Oil Drain Assy | |
| 14 | 112793102/0 | 2 | Screw | Vite | Vis | Schraube | |
| 15 | 112540260/0 | 2 | Grower | Grower | Grower | Federring | |
| 16 | 182750010/0 | 1 | Muffler | Silenziatore | Silencieux | Set Schalldämpfer | |
| 17 | 112360425/0 | 2 | Nut | Dado | Ecrou | Mutter | |
| 18 | 382598009/2 | 1 | Muffler Protection | Protezione Silenziatore | Protection Silencieux | Auspuffschutz | |
| 19 | 112792611/0 | 2 | Screw | Vite | Vis | Schraube | |
| 20 | 112583500/0 | 2 | Grower | Grower | Grower | Federring | |
| 24 | 112154210/0 | 3 | Self-Locking Nut | Dado Autobloccante | Écrou auto-bloquant | Selbstsichernde Mutter | |
| 25 | 112691100/0 | 3 | Screw | Vite | Vis | Schraube | |
| 41 | 182000200/1 | 1 | Throttle Cable | Cavo Acceleratore | Câble Accélérateur | Gashebel Kabel | |
| 42 | 125943012/0 | 2 | Screw | Vite | Vis | Schraube | |
| 44 | 325592000/0 | 1 | Knob | Manopolina | Poignée | Griff | |
| 45 | 112726388/0 | 1 | Screw | Vite | Vis | Schraube | |
| 46 | 112290800/0 | 1 | Hexagonal Nut | Dado | Ecrou | Mutter | |
| 51 | 125735110/3 | 1 | Tank | Serbatoio | Réservoir à carburant | Treibstofftank | |
| 52 | 125795000/1 | 1 | Fuel Cap | Tappo Serbatoio | Bouchon Reservoir | Tank Einfüllstopfen | |
| 53 | 112788910/0 | 2 | Screw | Vite | Vis | Schraube | |
| 54 | 112500092/0 | 2 | Rivet | Rivetto | Rivet | Niet | |
| 61 | 118736110/0 | 1 | Starter Relay | Relé Avviamento | Relais D'Allumage | Anlassrelais | |
| 62 | 112791011/0 | 2 | Screw | Vite | Vis | Schraube | |
| 63 | 112292102/0 | 2 | Nut | Dado | Ecrou | Mutter | |
| 64 | 112360352/0 | 2 | Nut | Dado | Ecrou | Mutter | |
| 65 | 125065017/0 | 1 | Cable | Cable | Cable | Cable | |
| 66 | 118564861/1 | 1 | Protection | Protezione | Protection | Schutz | |



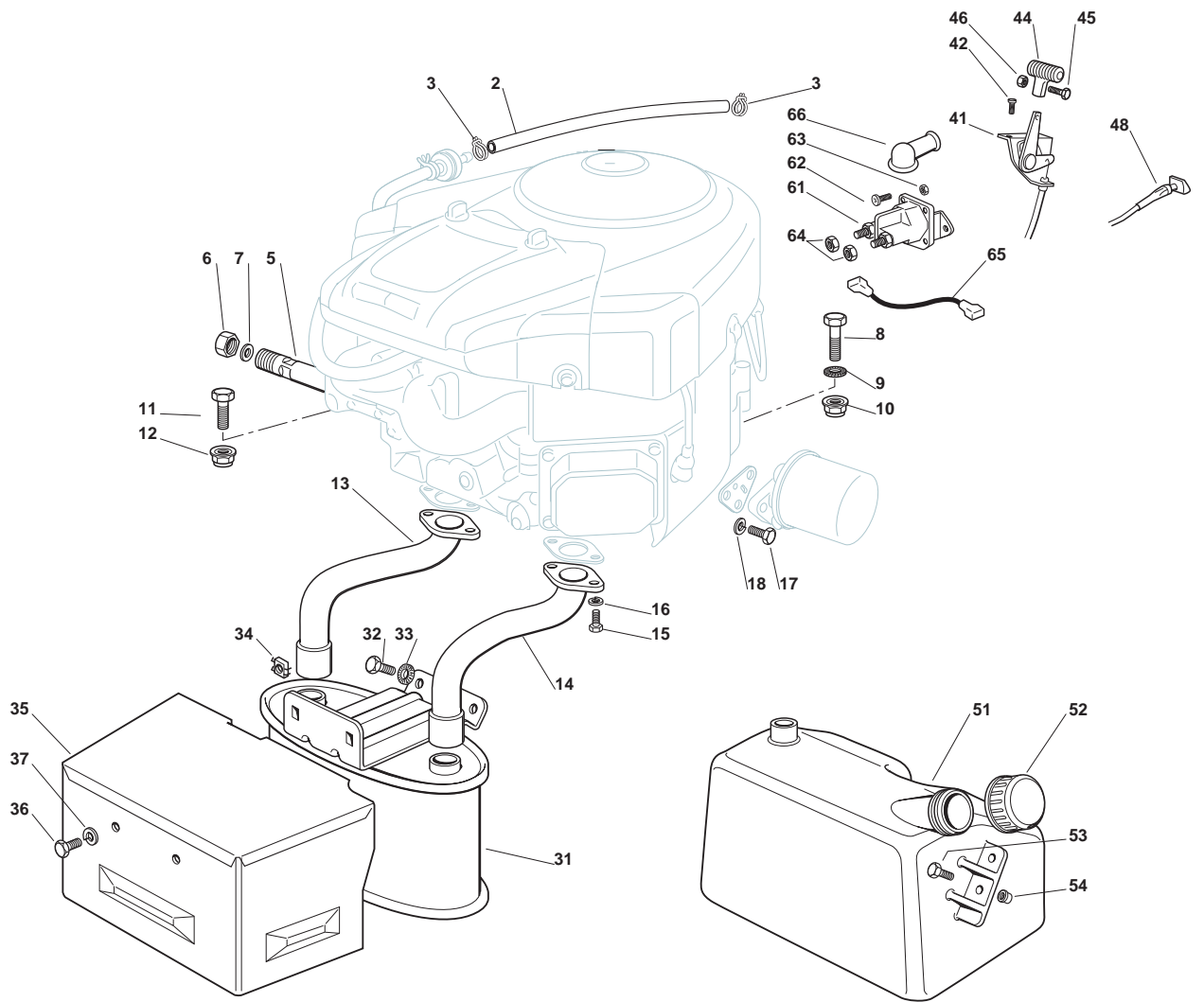
Engine - B&S 15,5-18,5 Hp

| POS | CODE | Q.TY | DESCRIPTION | DESCRIZIONE | DESCRIPTION | BESCHREIBUNG | NOTES |
|-----|--------------|------|-------------------------|-------------------------|-------------------------|-------------------------|--------------------------|
| 2 | 325869016/1 | 1 | Connecting Tube | Tubo Collegamento | Tube De Connexion | Verbindungsrohr | |
| 3 | 118375051/1 | 2 | Fair Led | Fascetta | Collier | Rohrschelle | |
| 6 | 1134-5827-01 | 1 | Oil Drain Assy | Oil Drain Assy | Oil Drain Assy | Oil Drain Assy | |
| 8 | 112691100/0 | 3 | Screw | Vite | Vis | Schraube | |
| 9 | 112540260/0 | 1 | Grower | Grower | Grower | Federring | |
| 10 | 112154210/0 | 1 | Self-Locking Nut | Dado Autobloccante | Écrou auto-bloquant | Selbstsichernde Mutter | |
| 11 | 112154210/0 | 3 | Self-Locking Nut | Dado Autobloccante | Écrou auto-bloquant | Selbstsichernde Mutter | |
| 12 | 118738206/0 | 1 | Discharged Connect.Tube | Discharged Connect.Tube | Discharged Connect.Tube | Discharged Connect.Tube | |
| 13 | 112583500/0 | 2 | Grower | Grower | Grower | Federring | |
| 14 | 112735530/0 | 2 | Screw | Vite | Vis | Schraube | |
| 15 | 112691115/0 | 1 | Screw | Vite | Vis | Schraube | |
| 31 | 182750010/0 | 1 | Muffler | Silenziatore | Silencieux | Set Schalldämpfer | |
| 32 | 112793102/0 | 2 | Screw | Vite | Vis | Schraube | |
| 33 | 112540260/0 | 2 | Grower | Grower | Grower | Federring | |
| 34 | 112360425/0 | 2 | Nut | Dado | Ecrou | Mutter | |
| 35 | 382598009/2 | 1 | Muffler Protection | Protezione Silenziatore | Protection Silencieux | Auspuffschutz | |
| 36 | 112792611/0 | 2 | Screw | Vite | Vis | Schraube | |
| 37 | 112583500/0 | 2 | Grower | Grower | Grower | Federring | |
| 41 | 182000200/1 | 1 | Throttle Cable | Cavo Acceleratore | Câble Accélérateur | Gashebel Kabel | |
| 42 | 125943012/0 | 2 | Screw | Vite | Vis | Schraube | |
| 44 | 325592000/0 | 1 | Knob | Manopolina | Poignée | Griff | |
| 45 | 112726388/0 | 1 | Screw | Vite | Vis | Schraube | |
| 46 | 112290800/0 | 1 | Hexagonal Nut | Dado | Ecrou | Mutter | |
| 51 | 125735110/3 | 1 | Tank | Serbatoio | Réservoir à carburant | Treibstofftank | Without Fuel level gauge |
| 51 | 325735111/3 | 1 | Tank | Serbatoio | Réservoir à carburant | Treibstofftank | With Fuel level gauge |
| 52 | 125795000/1 | 1 | Fuel Cap | Tappo Serbatoio | Bouchon Reservoir | Tank Einfüllstopfen | |
| 53 | 112788910/0 | 2 | Screw | Vite | Vis | Schraube | |
| 54 | 112500092/0 | 2 | Rivet | Rivetto | Rivet | Niet | |
| 61 | 118736110/0 | 1 | Starter Relay | Relé Avviamento | Relais D'Allumage | Anlassrelais | |
| 62 | 112791011/0 | 2 | Screw | Vite | Vis | Schraube | |
| 63 | 112292102/0 | 2 | Nut | Dado | Ecrou | Mutter | |
| 64 | 112360352/0 | 2 | Nut | Dado | Ecrou | Mutter | |
| 65 | 125065017/0 | 1 | Cable | Cable | Cable | Cable | |
| 66 | 118564861/1 | 1 | Protection | Protezione | Protection | Schutz | |

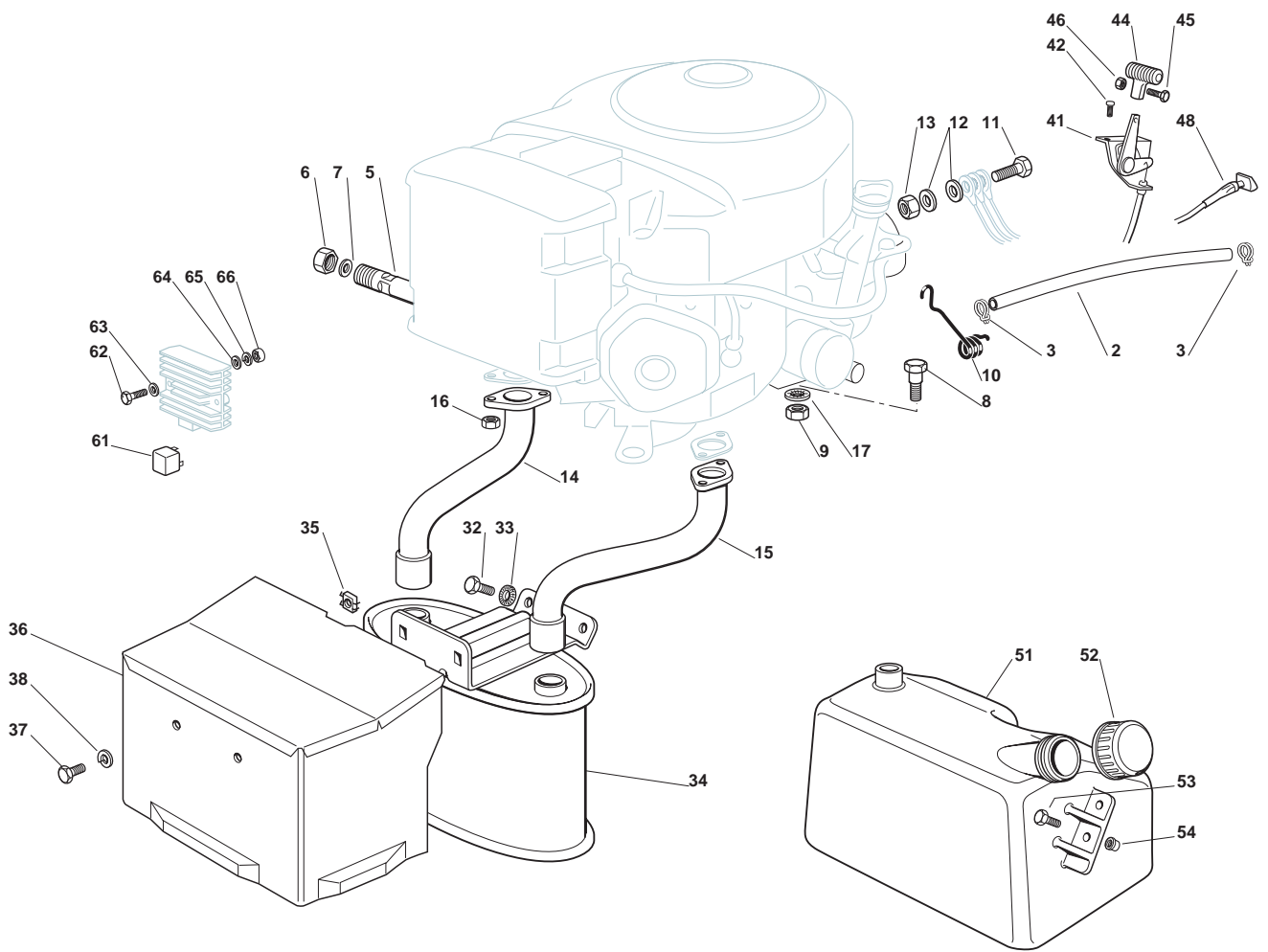


Engine - B&S 20 - 22 - 24 HP

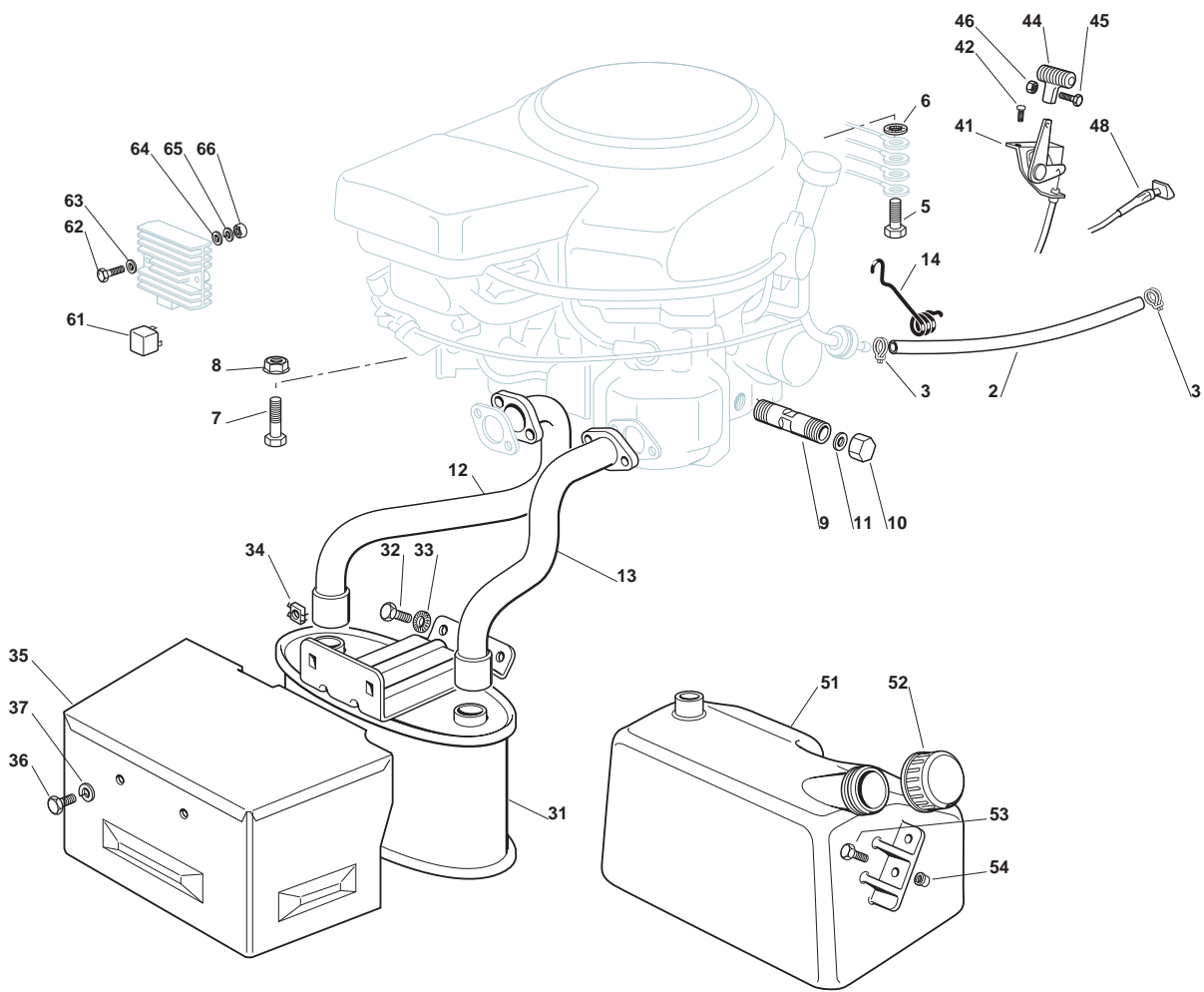
| POS | CODE | Q.TY | DESCRIPTION | DESCRIZIONE | DESCRIPTION | BESCHREIBUNG | NOTES |
|-----|--------------|------|-------------------------|---------------------------|----------------------------|--------------------------------------|-------|
| 2 | 325869016/1 | 1 | Connecting Tube | Tube Collegamento | Tube De Connexion | Verbindungsrohr | |
| 3 | 118375051/1 | 2 | Fair Led | Fascetta | Collier | Rohrschelle | |
| 4 | 1134-5827-01 | 1 | Oil Drain Assy | Oil Drain Assy | Oil Drain Assy | Oil Drain Assy | |
| 8 | 112691115/0 | 1 | Screw | Vite | Vis | Schraube | |
| 9 | 112540260/0 | 1 | Grower | Grower | Grower | Federring | |
| 10 | 112154210/0 | 1 | Self-Locking Nut | Dado Autobloccante | Écrou auto-bloquant | Selbstsichernde Mutter | |
| 11 | 112691100/0 | 3 | Screw | Vite | Vis | Schraube | |
| 12 | 112154210/0 | 3 | Self-Locking Nut | Dado Autobloccante | Écrou auto-bloquant | Selbstsichernde Mutter | |
| 13 | 118738214/0 | 1 | Exhaust Discharge Dx | Exhaust Discharge Dx | Exhaust Discharge Dx | Exhaust Discharge Dx | |
| 14 | 118738215/0 | 1 | Exhaust Tube Left | Tube Scarico Sinistro | Tube Echappement Gauche | Abgasrohr, Linke | |
| 15 | 112735530/0 | 4 | Screw | Vite | Vis | Schraube | |
| 16 | 112583500/0 | 4 | Grower | Grower | Grower | Federring | |
| 17 | 112791400/0 | 3 | Screw | Vite | Vis | Schraube | |
| 18 | 112582100/0 | 3 | Grower | Grower | Grower | Federring | |
| 31 | 182750011/0 | 1 | Single-Cylinder Muffler | Silenziatore Monocilindro | Silencieux Monocylindrique | Einzyylinder-Imasaf Schalldämpfer | |
| 32 | 112793102/0 | 2 | Screw | Vite | Vis | Schraube | |
| 33 | 112540260/0 | 2 | Grower | Grower | Grower | Federring | |
| 34 | 112360425/0 | 2 | Nut | Dado | Ecrou | Mutter | |
| 35 | 382598005/2 | 1 | Muffler Protection | Protezione Silenziatore | Protection Silencieux | Auspuffschutz | |
| 36 | 112792611/0 | 2 | Screw | Vite | Vis | Schraube | |
| 37 | 112583500/0 | 2 | Grower | Grower | Grower | Federring | |
| 41 | 182000211/1 | 1 | Accelerator | Acceleratore | Accelérateur | Gas Zug | |
| 42 | 125943012/0 | 2 | Screw | Vite | Vis | Schraube | |
| 44 | 325592000/0 | 1 | Knob | Manopolina | Poignée | Griff | |
| 45 | 112726388/0 | 1 | Screw | Vite | Vis | Schraube | |
| 46 | 112290800/0 | 1 | Hexagonal Nut | Dado | Ecrou | Mutter | |
| 48 | 125090001/2 | 1 | Choke Control | Choke Control | Choke Control | Choke Control | |
| 51 | 325735111/3 | 1 | Tank | Serbatoio | Réservoir à carburant | Treibstofftank | |
| 52 | 125795000/1 | 1 | Fuel Cap | Tappo Serbatoio | Bouchon Reservoir | Tank Einfüllstopfen | |
| 53 | 112788910/0 | 2 | Screw | Vite | Vis | Schraube | |
| 54 | 112500092/0 | 2 | Rivet | Rivetto | Rivet | Niet | |
| 61 | 118736110/0 | 1 | Starter Relay | Relé Avviamento | Relais D'Allumage | Anlassrelais | |
| 62 | 112791011/0 | 2 | Screw | Vite | Vis | Schraube | |
| 63 | 112292102/0 | 2 | Nut | Dado | Ecrou | Mutter | |
| 64 | 112360352/0 | 2 | Nut | Dado | Ecrou | Mutter | |
| 65 | 125065017/0 | 1 | Cable | Cable | Cable | Cable | |
| 66 | 118564861/1 | 1 | Protection | Protezione | Protection | Schutz | |



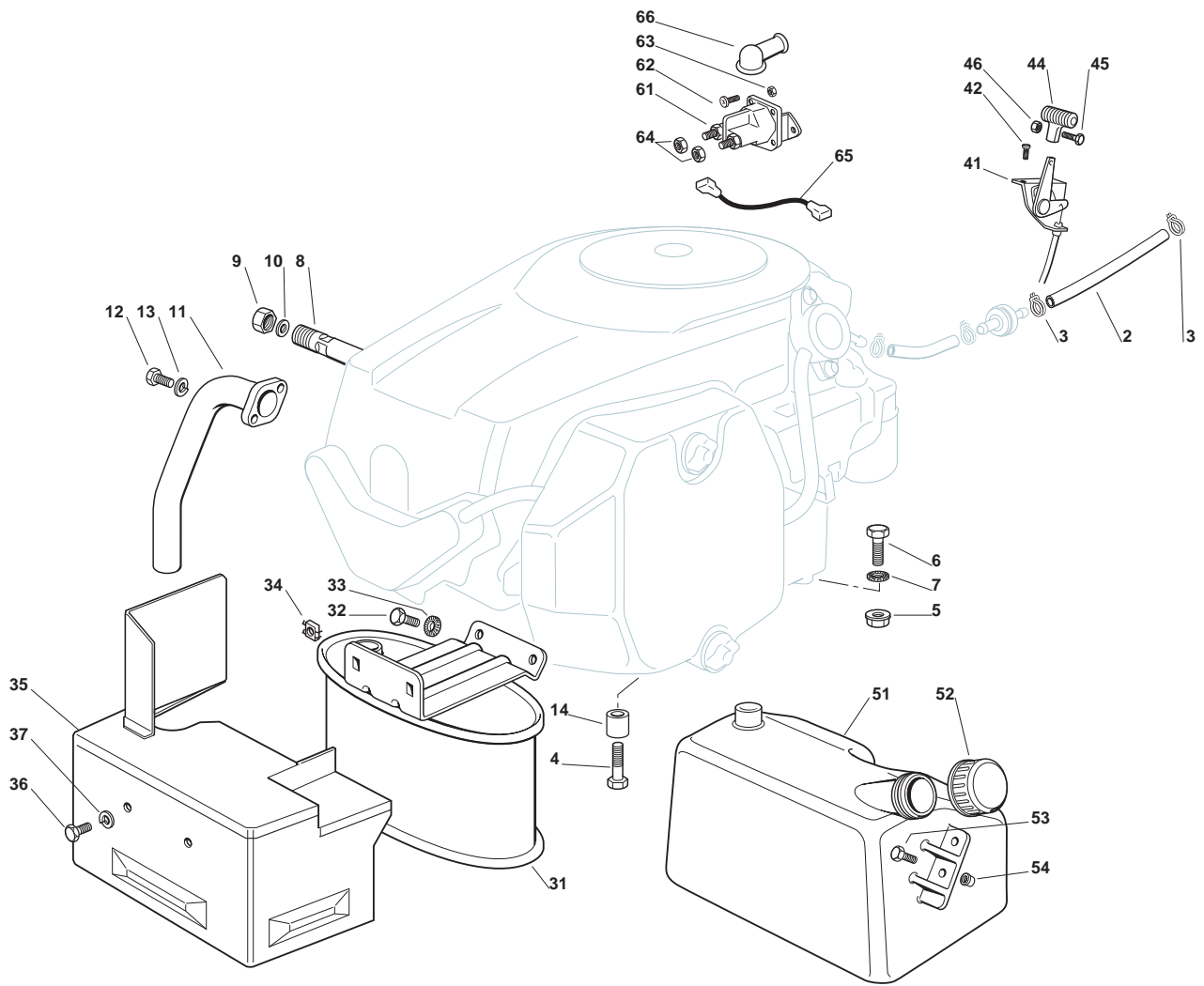
| Engine - GGP | | | | | | | |
|--------------|-------------|------|-------------------------|-----------------------|-----------------------------|-------------------|--------------------------|
| POS | CODE | Q.TY | DESCRIPTION | DESCRIZIONE | DESCRIPTION | BESCHREIBUNG | NOTES |
| 2 | 325869057/0 | 1 | Connecting Tube | Tubo Collegamento | Tube De Connexion | Verbindungsrohr | |
| 3 | 118375051/1 | 4 | Fair Led | Fascetta | Collier | Rohrschelle | |
| 4 | 118738231/1 | 1 | Exhaust Tube | Tubo Scarico | Tube Echappement | Abgasungrohr | |
| 5 | 112583500/0 | 2 | Grower | Grower | Grower | Federring | |
| 6 | 112737450/0 | 2 | Screw | Vite | Vis | Schraube | |
| 7 | 112735108/1 | 4 | Screw | Vite | Vis | Schraube | |
| 8 | 112735599/0 | 1 | Screw | Vite | Vis | Schraube | |
| 10 | 127598060/0 | 1 | Oil Discharge Extension | Prolunga Scarico Olio | Rallonge Dechargement Huile | Öl Abfluss | |
| 11 | 118737849/0 | 1 | Plug | Tappo | Bouchon | Stopfen | |
| 12 | 118401001/1 | 1 | Oil Seal | Anello Di Tenuta | Anneau De Tenue | Dichtring | |
| 14 | 112793102/0 | 2 | Screw | Vite | Vis | Schraube | |
| 15 | 112540260/0 | 2 | Grower | Grower | Grower | Federring | |
| 16 | 182750010/0 | 1 | Muffler | Silenziatore | Silencieux | Set Schalldämpfer | |
| 17 | 112360425/0 | 2 | Nut | Dado | Ecrou | Mutter | |
| 18 | 382598039/0 | 1 | Guard | Protezione | Protection | Schutz | |
| 19 | 112792611/0 | 2 | Screw | Vite | Vis | Schraube | |
| 20 | 112583500/0 | 2 | Grower | Grower | Grower | Federring | |
| 41 | 182000212/0 | 1 | Accelerator | Acceleratore | Accelérateur | Gas Zug | |
| 42 | 125943012/0 | 2 | Screw | Vite | Vis | Schraube | |
| 44 | 325592000/0 | 1 | Knob | Manopola | Poignee | Knopf | |
| 45 | 112726388/0 | 1 | Screw | Vite | Vis | Schraube | |
| 46 | 112290800/0 | 1 | Hexagonal Nut | Dado | Ecrou | Mutter | |
| 51 | 125735110/3 | 1 | Tank | Serbatoio | Réservoir à carburant | Treibstofftank | Without Fuel level gauge |
| 51 | 325735111/3 | 1 | Tank | Serbatoio | Réservoir à carburant | Treibstofftank | With Fuel level gauge |
| 52 | 125795000/1 | 1 | Fuel Cap | Tappo Miscela | Bouhcon Mélange | Deckel Treibstoff | |
| 53 | 112788910/0 | 2 | Screw | Vite | Vis | Schraube | |
| 54 | 112500092/0 | 2 | Rivet | Rivetto | Rivet | Niet | |
| 61 | 118736110/0 | 1 | Starter Relay | Relé Avviamento | Relais D'Allumage | Anlassrelais | |
| 62 | 112791011/0 | 2 | Screw | Vite | Vis | Schraube | |
| 63 | 112292102/0 | 2 | Nut | Dado | Ecrou | Mutter | |
| 64 | 112360352/0 | 2 | Nut | Dado | Ecrou | Mutter | |
| 65 | 125065017/0 | 1 | Cable | Cable | Cable | Cable | |
| 66 | 118564861/1 | 1 | Protection | Protezione | Protection | Schutz | |



| Engine - Honda GCV530 | | | | | | | |
|-----------------------|-------------|------|--------------------------|-------------------------|------------------------------|--------------------------|--------------------------|
| POS | CODE | Q.TY | DESCRIPTION | DESCRIZIONE | DESCRIPTION | BESCHREIBUNG | NOTES |
| 2 | 325869027/1 | 1 | Connecting Tube | Tubo Collegamento | Tube De Connexion | Verbindungsrohr | |
| 3 | 118375051/1 | 2 | Fair Led | Fascetta | Collier | Rohrschelle | |
| 5 | 112735599/0 | 1 | Screw | Vite | Vis | Schraube | |
| 6 | 112540260/0 | 1 | Grower | Grower | Grower | Federring | |
| 7 | 112691115/0 | 4 | Screw | Vite | Vis | Schraube | |
| 8 | 112154210/0 | 4 | Self-Locking Nut | Dado Autobloccante | Écrou auto-bloquant | Selbstsichernde Mutter | |
| 9 | 125598052/0 | 1 | Oil Discharge Extention | Prolunga Scarico Olio | Rallonge Dechargement Huile | Öl Abfluss | |
| 10 | 118737849/0 | 1 | Plug | Tappo | Bouchon | Stopfen | |
| 11 | 118401001/1 | 1 | Oil Seal | Anello Di Tenuta | Anneau De Tenue | Dichtring | |
| 12 | 118738221/0 | 1 | Exhaust Tube Right | Tubo Scarico Destro | Tube Echappement Droit | Abgasrohr, Rechte | |
| 13 | 118738222/0 | 1 | Right Exhaust Connection | Raccordo Scarico Destro | Connexion Echappement Droite | Auspuffanschluss, Rechte | |
| 14 | 127430562/0 | 1 | Spring | Molla | Ressort | Feder | |
| 31 | 182750003/0 | 1 | Muffler Assy | Ass. Silenziatore | Silencieux | Set Schalldämpfer | |
| 32 | 112793102/0 | 2 | Screw | Vite | Vis | Schraube | |
| 33 | 112540260/0 | 2 | Grower | Grower | Grower | Federring | |
| 34 | 112360425/0 | 2 | Nut | Dado | Ecrou | Mutter | |
| 35 | 382598005/2 | 1 | Muffler Protection | Protezione Silenziatore | Protection Silencieux | Auspuffschutz | |
| 36 | 112792611/0 | 2 | Screw | Vite | Vis | Schraube | |
| 37 | 112583500/0 | 2 | Grower | Grower | Grower | Federring | |
| 41 | 182000201/2 | 1 | Accelerator | Acceleratore | Accelérateur | Gas Zug | |
| 42 | 125943012/0 | 2 | Screw | Vite | Vis | Schraube | |
| 44 | 325592000/0 | 1 | Knob | Manopola | Poignee | Knopf | |
| 45 | 112726388/0 | 1 | Screw | Vite | Vis | Schraube | |
| 46 | 112290800/0 | 1 | Hexagonal Nut | Dado | Ecrou | Mutter | |
| 48 | 125090001/2 | 1 | Choke Control | Comando Starter | Commande Starter | Starter Betaetigung | |
| 51 | 125735110/3 | 1 | Tank | Serbatoio | Réservoir à carburant | Treibstofftank | Without Fuel level gauge |
| 51 | 325735111/3 | 1 | Tank | Serbatoio | Réservoir à carburant | Treibstofftank | With Fuel level gauge |
| 52 | 125795000/1 | 1 | Fuel Cap | Tappo Miscela | Bouhcon Mélange | Deckel Treibstoff | |
| 53 | 112788910/0 | 2 | Screw | Vite | Vis | Schraube | |
| 54 | 112500092/0 | 2 | Rivet | Rivetto | Rivet | Niet | |
| 61 | 133567000/0 | 1 | Relay | Relay | Relay | Relay | |
| 62 | 112791500/0 | 2 | Screw | Vite | Vis | Schraube | |
| 63 | 112521330/0 | 2 | Washer | Rosetta | Rondelle | Scheibe | |
| 64 | 112521330/0 | 2 | Washer | Rosetta | Rondelle | Scheibe | |
| 65 | 112582100/0 | 2 | Grower | Grower | Grower | Federring | |
| 66 | 112292100/0 | 2 | Hexagonal Nut | Dado | Ecrou | Mutter | |

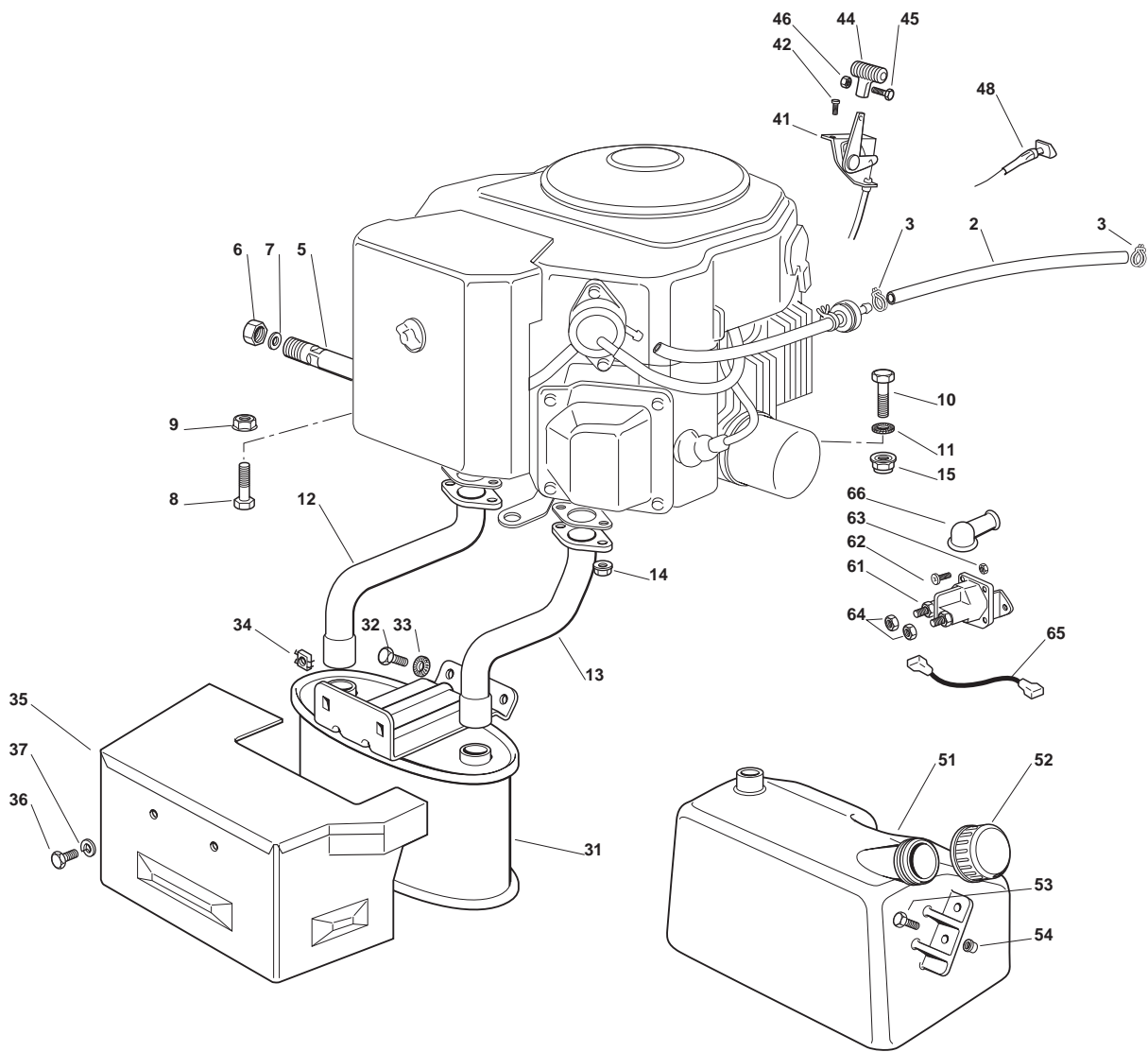


| Engine - Honda GCV660 | | | | | | | |
|-----------------------|-------------|------|-------------------------|-----------------------|-----------------------------|------------------------|--------------------------|
| POS | CODE | Q.TY | DESCRIPTION | DESCRIZIONE | DESCRIPTION | BESCHREIBUNG | NOTES |
| 2 | 325869033/1 | 1 | Fuel Tube | Tubo Carburante | Tube De Connexion | Verbindungsrohr | |
| 3 | 118375051/1 | 2 | Fair Led | Fascetta | Collier | Rohrschelle | |
| 5 | 127598061/1 | 1 | Oil Discharge Extention | Prolunga Scarico Olio | Rallonge Dechargement Huile | Öl Abfluss | |
| 6 | 118737849/0 | 1 | Plug | Tappo | Bouchon | Stopfen | |
| 7 | 118401001/1 | 1 | Oil Seal | Anello Di Tenuta | Anneau De Tenue | Dichtring | |
| 8 | 125510028/1 | 4 | Pin | Perno | Pivot | Bolzen | |
| 9 | 112154210/0 | 4 | Self-Locking Nut | Dado Autobloccante | Écrou auto-bloquant | Selbstsichernde Mutter | |
| 10 | 127430561/0 | 1 | Spring | Molla | Ressort | Feder | |
| 11 | 112691115/0 | 1 | Screw | Vite | Vis | Schraube | |
| 12 | 112521350/0 | 2 | Washer | Rosetta | Rondelle | Scheibe | |
| 13 | 112293201/0 | 1 | Nut | Dado | Ecrou | Mutter | |
| 14 | 118738243/0 | 1 | Exhaust Tube Right | Tubo Scarico Destro | Tube Echappement Droit | Abgasungrohr, Rechte | |
| 15 | 118738244/0 | 1 | Exhaust Tube Left | Tubo Scarico Sinistro | Tube Echappement Gauche | Abgasungrohr, Linke | |
| 16 | 112293201/0 | 4 | Nut | Dado | Ecrou | Mutter | |
| 17 | 112540260/0 | 1 | Grower | Grower | Grower | Federring | |
| 32 | 112793102/0 | 2 | Screw | Vite | Vis | Schraube | |
| 33 | 112540260/0 | 2 | Grower | Grower | Grower | Federring | |
| 34 | 182750003/0 | 1 | Muffler Assy | Ass. Silenziatore | Silencieux | Set Schalldämpfer | |
| 35 | 112360425/0 | 2 | Nut | Dado | Ecrou | Mutter | |
| 36 | 382598051/0 | 1 | Guard | Protezione | Protection | Schutz | |
| 37 | 112792611/0 | 2 | Screw | Vite | Vis | Schraube | |
| 38 | 112583500/0 | 2 | Grower | Grower | Grower | Federring | |
| 41 | 182000219/0 | 1 | Accelerator | Acceleratore | Accelérateur | Gas Zug | |
| 42 | 125943012/0 | 2 | Screw | Vite | Vis | Schraube | |
| 44 | 325592000/0 | 1 | Knob | Manopola | Poignee | Knopf | |
| 45 | 112726388/0 | 1 | Screw | Vite | Vis | Schraube | |
| 46 | 112290800/0 | 1 | Hexagonal Nut | Dado | Ecrou | Mutter | |
| 48 | 125090007/0 | 1 | Choke Control | Comando Starter | Commande Starter | Starter Betaetigung | |
| 51 | 125735110/3 | 1 | Tank | Serbatoio | Réservoir à carburant | Treibstofftank | Without Fuel level gauge |
| 51 | 325735111/3 | 1 | Tank | Serbatoio | Réservoir à carburant | Treibstofftank | With Fuel level gauge |
| 52 | 125795000/1 | 1 | Fuel Cap | Tappo Miscela | Bouhcon Mélange | Deckel Treibstoff | |
| 53 | 112788910/0 | 2 | Screw | Vite | Vis | Schraube | |
| 54 | 112500092/0 | 2 | Rivet | Rivetto | Rivet | Niet | |
| 61 | 133567000/0 | 1 | Relay | Relay | Relay | Relay | |
| 62 | 112791500/0 | 2 | Screw | Vite | Vis | Schraube | |
| 63 | 112521330/0 | 2 | Washer | Rosetta | Rondelle | Scheibe | |
| 64 | 112521330/0 | 2 | Washer | Rosetta | Rondelle | Scheibe | |
| 65 | 112582100/0 | 2 | Grower | Grower | Grower | Federring | |
| 66 | 112292100/0 | 2 | Hexagonal Nut | Dado | Écrou | Mutter | |



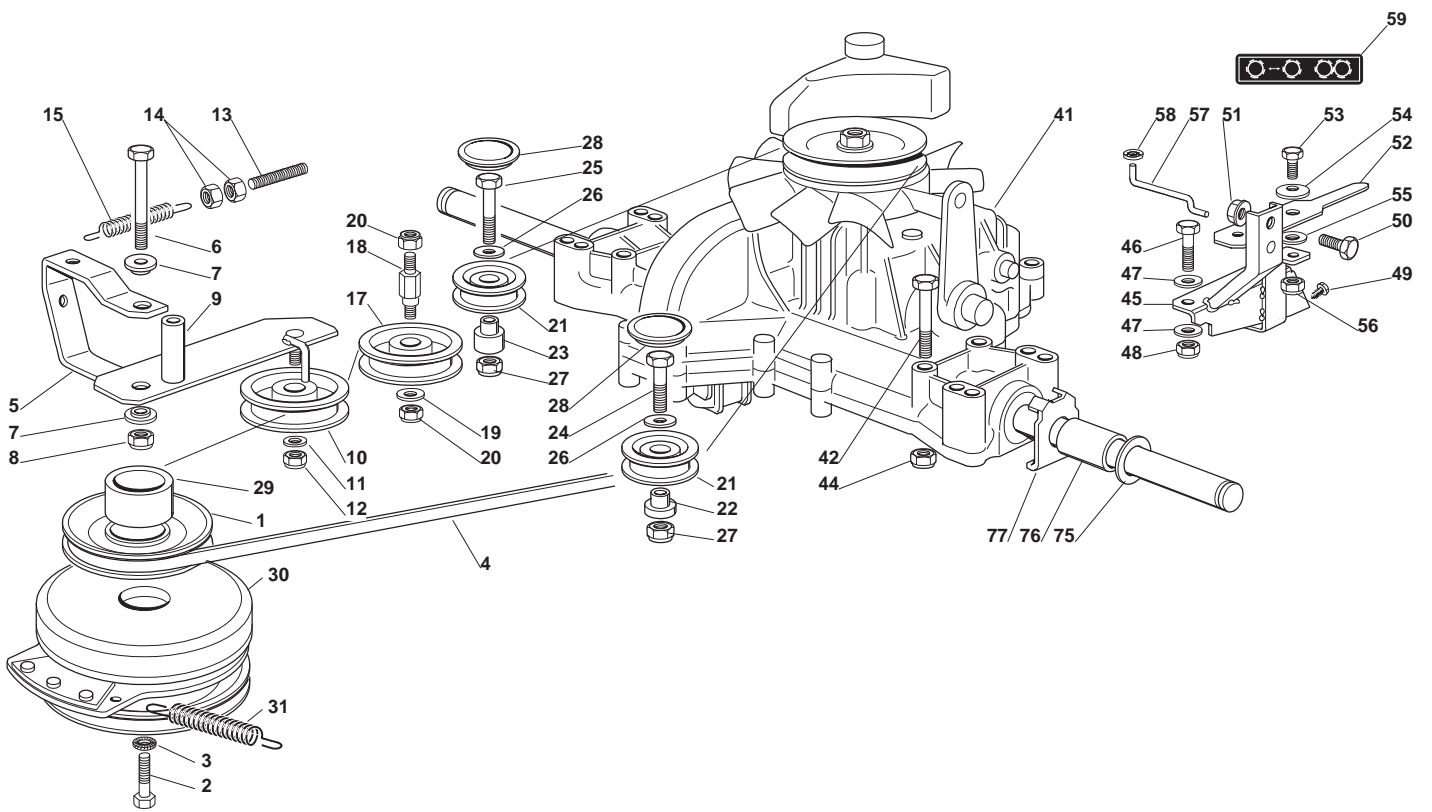
Engine - Kohler 16 - 18 HP

| POS | CODE | Q.TY | DESCRIPTION | DESCRIZIONE | DESCRIPTION | BESCHREIBUNG | NOTES |
|-----|-------------|------|-------------------------|-------------------------|-----------------------------|------------------------|--------------------------|
| 2 | 325869016/1 | 1 | Connecting Tube | Tubo Collegamento | Tube De Connexion | Verbindungsrohr | |
| 3 | 118375051/1 | 2 | Fair Led | Fascetta | Collier | Rohrschelle | |
| 4 | 112735108/1 | 3 | Screw | Vite | Vis | Schraube | |
| 5 | 112154210/0 | 1 | Self-Locking Nut | Dado Autobloccante | Écrou auto-bloquant | Selbstsichernde Mutter | |
| 6 | 112691115/0 | 1 | Screw | Vite | Vis | Schraube | |
| 7 | 112540260/0 | 1 | Grower | Grower | Grower | Federring | |
| 8 | 127598060/0 | 1 | Oil Discharge Extension | Prolunga Scarico Olio | Rallonge Dechargement Huile | Öl Abfluss | |
| 9 | 118737849/0 | 1 | Plug | Tappo | Bouchon | Stopfen | |
| 10 | 118401001/1 | 1 | Oil Seal | Anello Di Tenuta | Anneau De Tenue | Dichtring | |
| 11 | 118738227/0 | 1 | Exhaust Pipe | Tubo Scarico | Tube Echappement | Abgasungrohr | |
| 12 | 112735530/0 | 2 | Screw | Vite | Vis | Schraube | |
| 13 | 112583500/0 | 2 | Grower | Grower | Grower | Federring | |
| 14 | 125160035/0 | 3 | Spacer | Distanziale | Entretoise | Distanzring | |
| 31 | 182750010/0 | 1 | Muffler | Silenziatore | Silencieux | Set Schalldämpfer | |
| 32 | 112793102/0 | 2 | Screw | Vite | Vis | Schraube | |
| 33 | 112540260/0 | 2 | Grower | Grower | Grower | Federring | |
| 34 | 112360425/0 | 2 | Nut | Dado | Ecrou | Mutter | |
| 35 | 382598029/0 | 1 | Muffler Protection | Protezione Silenziatore | Protection Silencieux | Auspuffschutz | |
| 36 | 112792611/0 | 2 | Screw | Vite | Vis | Schraube | |
| 37 | 112583500/0 | 2 | Grower | Grower | Grower | Federring | |
| 41 | 182000200/1 | 1 | Throttle Cable | Cavo Acceleratore | Câble Accélérateur | Gashebel Kabel | |
| 42 | 125943012/0 | 2 | Screw | Vite | Vis | Schraube | |
| 44 | 325592000/0 | 1 | Knob | Manopola | Poignee | Knopf | |
| 45 | 112726388/0 | 1 | Screw | Vite | Vis | Schraube | |
| 46 | 112290800/0 | 1 | Hexagonal Nut | Dado | Ecrou | Mutter | |
| 51 | 125735110/3 | 1 | Tank | Serbatoio | Réservoir à carburant | Treibstofftank | Without Fuel level gauge |
| 51 | 325735111/3 | 1 | Tank | Serbatoio | Réservoir à carburant | Treibstofftank | With Fuel level gauge |
| 52 | 125795000/1 | 1 | Fuel Cap | Tappo Miscela | Bouhcon Mélange | Deckel Treibstoff | |
| 53 | 112788910/0 | 2 | Screw | Vite | Vis | Schraube | |
| 54 | 112500092/0 | 2 | Rivet | Rivetto | Rivet | Niet | |
| 61 | 118736110/0 | 1 | Starter Relay | Relé Avviamento | Relais D'Allumage | Anlassrelais | |
| 62 | 112791011/0 | 2 | Screw | Vite | Vis | Schraube | |
| 63 | 112292102/0 | 2 | Nut | Dado | Ecrou | Mutter | |
| 64 | 112360352/0 | 2 | Nut | Dado | Ecrou | Mutter | |
| 65 | 125065017/0 | 1 | Cable | Cable | Cable | Cable | |
| 66 | 118564861/1 | 1 | Protection | Protezione | Protection | Schutz | |

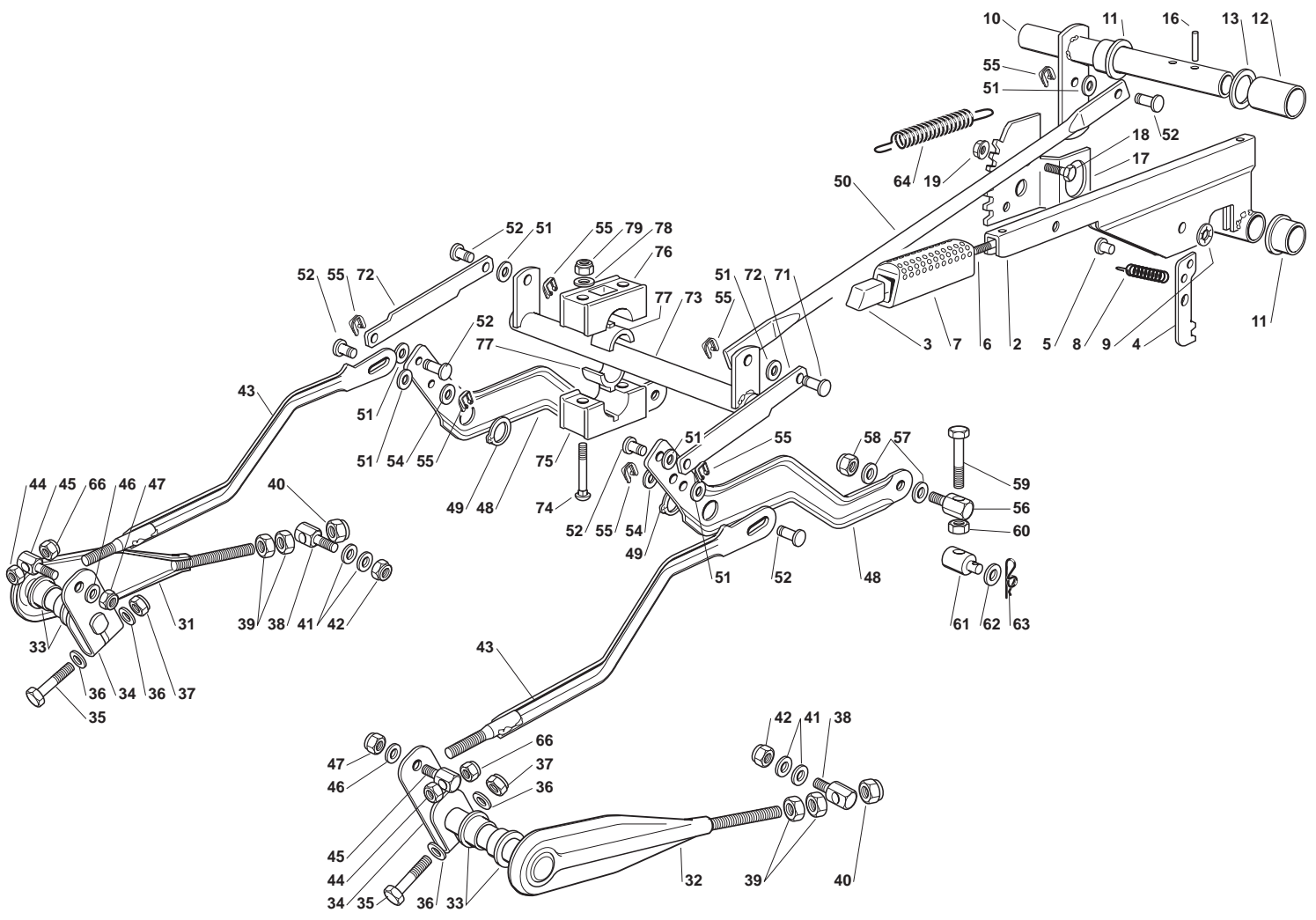


Engine - Kohler 20 - 25 HP

| POS | CODE | Q.TY | DESCRIPTION | DESCRIZIONE | DESCRIPTION | BESCHREIBUNG | NOTES |
|-----|-------------|------|-------------------------|-----------------------|-----------------------------|------------------------|--------------------------|
| 2 | 325869016/1 | 1 | Connecting Tube | Tubo Collegamento | Tube De Connexion | Verbindungsrohr | |
| 3 | 118375051/1 | 2 | Fair Led | Fascetta | Collier | Rohrschelle | |
| 5 | 125598050/0 | 1 | Oil Discharge Extension | Prolunga Scarico Olio | Rallonge Dechargement Huile | Öl Abfluss | |
| 6 | 118737849/0 | 1 | Plug | Tappo | Bouchon | Stopfen | |
| 7 | 118401001/1 | 1 | Oil Seal | Anello Di Tenuta | Anneau De Tenue | Dichtring | |
| 8 | 112691100/0 | 3 | Screw | Vite | Vis | Schraube | |
| 9 | 112154210/0 | 3 | Self-Locking Nut | Dado Autobloccante | Écrou auto-bloquant | Selbstsichernde Mutter | |
| 10 | 112691115/0 | 1 | Screw | Vite | Vis | Schraube | |
| 11 | 112540260/0 | 1 | Grower | Grower | Grower | Federring | |
| 12 | 118738207/1 | 1 | Exhaust Tube Right | Tubo Scarico Destro | Tube Echappement Droite | Abgasungrohr, Rechte | |
| 13 | 118738208/1 | 1 | Exhaust Tube Left | Tubo Scarico Sinistro | Tube Echappement Gauche | Abgasungrohr, Linke | |
| 14 | 112293201/0 | 4 | Nut | Dado | Ecrou | Mutter | |
| 15 | 112154210/0 | 1 | Self-Locking Nut | Dado Autobloccante | Écrou auto-bloquant | Selbstsichernde Mutter | |
| 31 | 182750003/0 | 1 | Muffler Assy | Ass. Silenziatore | Silencieux | Set Schalldämpfer | |
| 32 | 112793102/0 | 2 | Screw | Vite | Vis | Schraube | |
| 33 | 112540260/0 | 2 | Grower | Grower | Grower | Federring | |
| 34 | 112360425/0 | 2 | Nut | Dado | Ecrou | Mutter | |
| 35 | 382598013/1 | 1 | Guard | Protezione | Protection | Schutz | |
| 36 | 112792611/0 | 2 | Screw | Vite | Vis | Schraube | |
| 37 | 112583500/0 | 2 | Grower | Grower | Grower | Federring | |
| 41 | 182000204/1 | 1 | Throttle Cable | Cavo Acceleratore | Câble Accélérateur | Gashebel Kabel | |
| 42 | 125943012/0 | 2 | Screw | Vite | Vis | Schraube | |
| 44 | 325592000/0 | 1 | Knob | Manopola | Poignee | Knopf | |
| 45 | 112726388/0 | 1 | Screw | Vite | Vis | Schraube | |
| 46 | 112290800/0 | 1 | Hexagonal Nut | Dado | Ecrou | Mutter | |
| 48 | 125090004/0 | 1 | Choke Control | Comando Starter | Commande Starter | Starter Betaetigung | |
| 51 | 125735110/3 | 1 | Tank | Serbatoio | Réservoir à carburant | Treibstofftank | Without Fuel level gauge |
| 51 | 325735111/3 | 1 | Tank | Serbatoio | Réservoir à carburant | Treibstofftank | With Fuel level gauge |
| 52 | 125795000/1 | 1 | Fuel Cap | Tappo Miscela | Bouhcon Mélange | Deckel Treibstoff | |
| 53 | 112788910/0 | 2 | Screw | Vite | Vis | Schraube | |
| 54 | 112500092/0 | 2 | Rivet | Rivetto | Rivet | Niet | |
| 61 | 118736110/0 | 1 | Starter Relay | Relé Avviamento | Relais D'Allumage | Anlassrelais | |
| 62 | 112791011/0 | 2 | Screw | Vite | Vis | Schraube | |
| 63 | 112292102/0 | 2 | Nut | Dado | Ecrou | Mutter | |
| 64 | 112360352/0 | 2 | Nut | Dado | Ecrou | Mutter | |
| 65 | 125065017/0 | 1 | Cable | Cable | Cable | Cable | |
| 66 | 118564861/1 | 1 | Protection | Protezione | Protection | Schutz | |

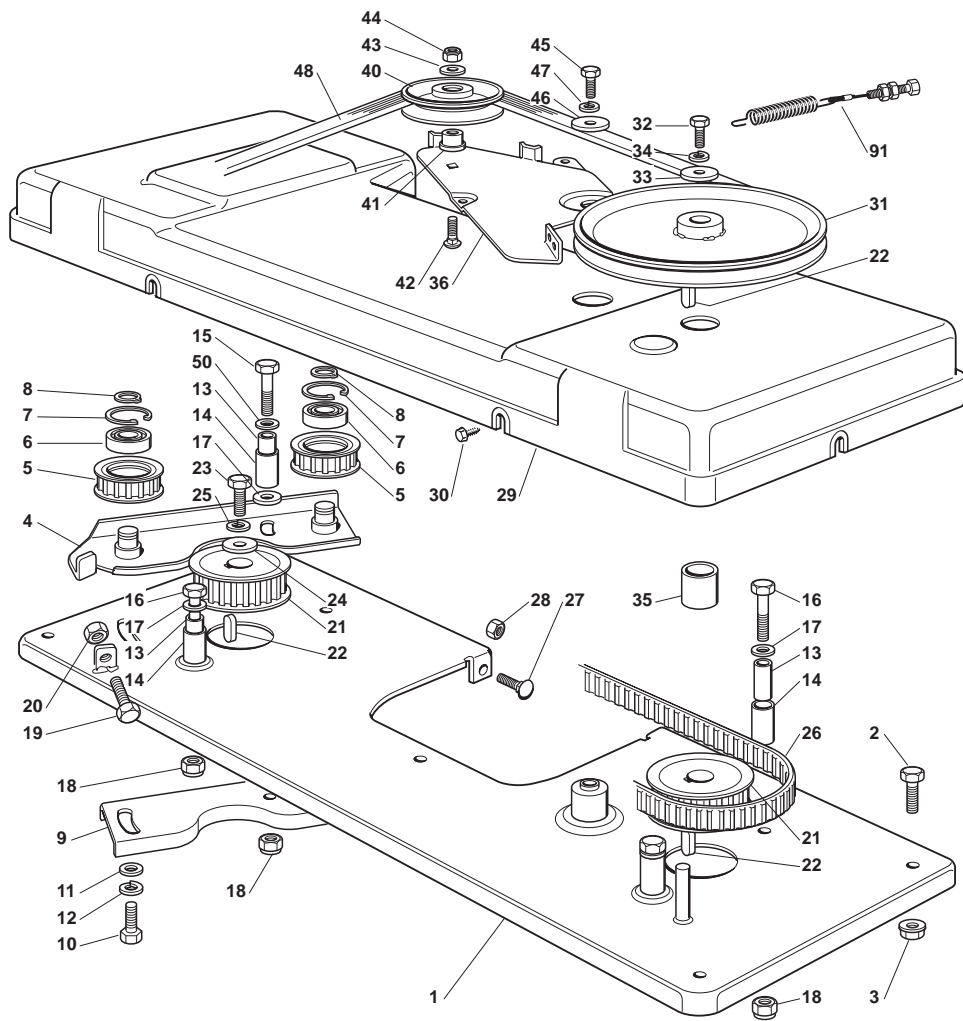


| Transmission | | | | | | | |
|--------------|-------------|------|---------------------|-----------------------|-----------------------|--------------------------|-------|
| POS | CODE | Q.TY | DESCRIPTION | DESCRIZIONE | DESCRIPTION | BESCHREIBUNG | NOTES |
| 1 | 125601566/1 | 1 | Pulley | Puleggia | Poulie | Riemenscheibe | |
| 2 | 112737320/0 | 1 | Screw | Vite | Vis | Schraube | |
| 3 | 112543000/0 | 1 | Washer | Rosetta | Rondelle | Scheibe | |
| 4 | 135062001/0 | 1 | Trapezoidal Belt | Cinghia Trapezoidale | Courroie Trapézoïdale | Keilriemen | |
| 5 | 382318165/1 | 1 | Lever | Leva | Levier | Hebel | |
| 6 | 112692000/0 | 1 | Screw | Vite | Vis | Schraube | |
| 7 | 125038002/1 | 2 | Bush | Bussola | Douille | Büchse | |
| 8 | 112155000/0 | 1 | Nut | Dado | Ecrou | Mutter | |
| 9 | 125160027/0 | 1 | Spacer | Distanziale | Entretoise | Distanzring | |
| 10 | 125601554/0 | 1 | Pulley | Puleggia | Poulie | Riemenscheibe | |
| 11 | 112523060/0 | 1 | Washer | Rosetta | Rondelle | Scheibe | |
| 12 | 112155000/0 | 1 | Nut | Dado | Ecrou | Mutter | |
| 13 | 125840010/1 | 1 | Tie Rod | Tirante | Tirant | Spannstange | |
| 14 | 112293200/0 | 2 | Hexagonal Nut | Dado | Ecrou | Mutter | |
| 15 | 125430219/0 | 1 | Spring | Molla | Ressort | Feder | |
| 17 | 125601555/0 | 1 | Pulley | Puleggia | Poulie | Riemenscheibe | |
| 18 | 125510036/1 | 1 | Pin | Perno | Pivot | Bolzen | |
| 19 | 112523060/0 | 1 | Washer | Rosetta | Rondelle | Scheibe | |
| 20 | 112155000/0 | 2 | Nut | Dado | Ecrou | Mutter | |
| 21 | 325601570/1 | 2 | Pulley | Puleggia | Poulie | Riemenscheibe | |
| 22 | 125160030/2 | 1 | Left Spacer | Distanziale Sinistro | Entretoise Gauche | Linker Entfernungsstück | |
| 23 | 125160024/2 | 1 | Right Spacer | Distanziale Destro | Entretoise Droit | Rechter Entfernungsstück | |
| 24 | 112691115/0 | 1 | Screw | Vite | Vis | Schraube | |
| 25 | 112691400/0 | 1 | Screw | Vite | Vis | Schraube | |
| 26 | 112523060/0 | 2 | Washer | Rosetta | Rondelle | Scheibe | |
| 27 | 112155000/0 | 2 | Nut | Dado | Ecrou | Mutter | |
| 28 | 125109521/1 | 2 | Cover | Coperchio Membrana | Couvercle Membrane | Deckel Membran | |
| 29 | 125160021/0 | 1 | Spacer | Distanziale | Entretoise | Distanzring | |
| 30 | 118399062/0 | 1 | Clutch Assy | Ass. Frizione | Friction | Set Kupplung | |
| 31 | 125430210/1 | 1 | Spring | Molla | Ressort | Feder | |
| 41 | 118400950/1 | 1 | Rear Axle | Asse Posteriore | Axe Arriere | Hinterachse | |
| 42 | 112691800/0 | 4 | Screw | Vite | Vis | Schraube | |
| 44 | 112154210/0 | 4 | Self-Locking Nut | Dado Autobloccante | Écrou auto-bloquant | Selbstsichernde Mutter | |
| 45 | 382785109/0 | 1 | Support | Supporto | Support | Halter | |
| 46 | 112691200/0 | 1 | Screw | Vite | Vis | Schraube | |
| 47 | 112521350/0 | 2 | Washer | Rosetta | Rondelle | Scheibe | |
| 48 | 112155000/0 | 1 | Nut | Dado | Ecrou | Mutter | |
| 49 | 112735120/0 | 2 | Screw | Vite | Vis | Schraube | |
| 50 | 112792611/0 | 1 | Screw | Vite | Vis | Schraube | |
| 51 | 112293201/0 | 1 | Nut | Dado | Ecrou | Mutter | |
| 52 | 325318157/0 | 1 | Lever | Leva | Levier | Hebel | |
| 53 | 112793102/0 | 1 | Screw | Vite | Vis | Schraube | |
| 54 | 112369500/0 | 1 | Elastic Washer | Disco Elastico | Disque Elastique | Federscheibe | |
| 55 | 325670011/0 | 1 | Antifriction Washer | Rondella Antifrizione | Rondelle Antifriction | Anti Friktionswäscher | |
| 56 | 112155000/0 | 1 | Nut | Dado | Ecrou | Mutter | |
| 57 | 125033033/0 | 1 | Rod | Asta | Tige | Stange | |
| 58 | 112604896/0 | 1 | Crown Fastener | Fissatore A Corona | Fixateur A Couronne | Kronescheibe | |
| 59 | 114357423/2 | 1 | Label | Etichetta | Etiquette | Etikett | |
| 75 | 112521410/0 | 4 | Washer | Rosetta | Rondelle | Scheibe | |
| 76 | 125160023/0 | 2 | Spacer | Distanziale | Entretoise | Distanzring | |
| 77 | 325670025/0 | 2 | Washer | Rosetta | Rondelle | Scheibe | |

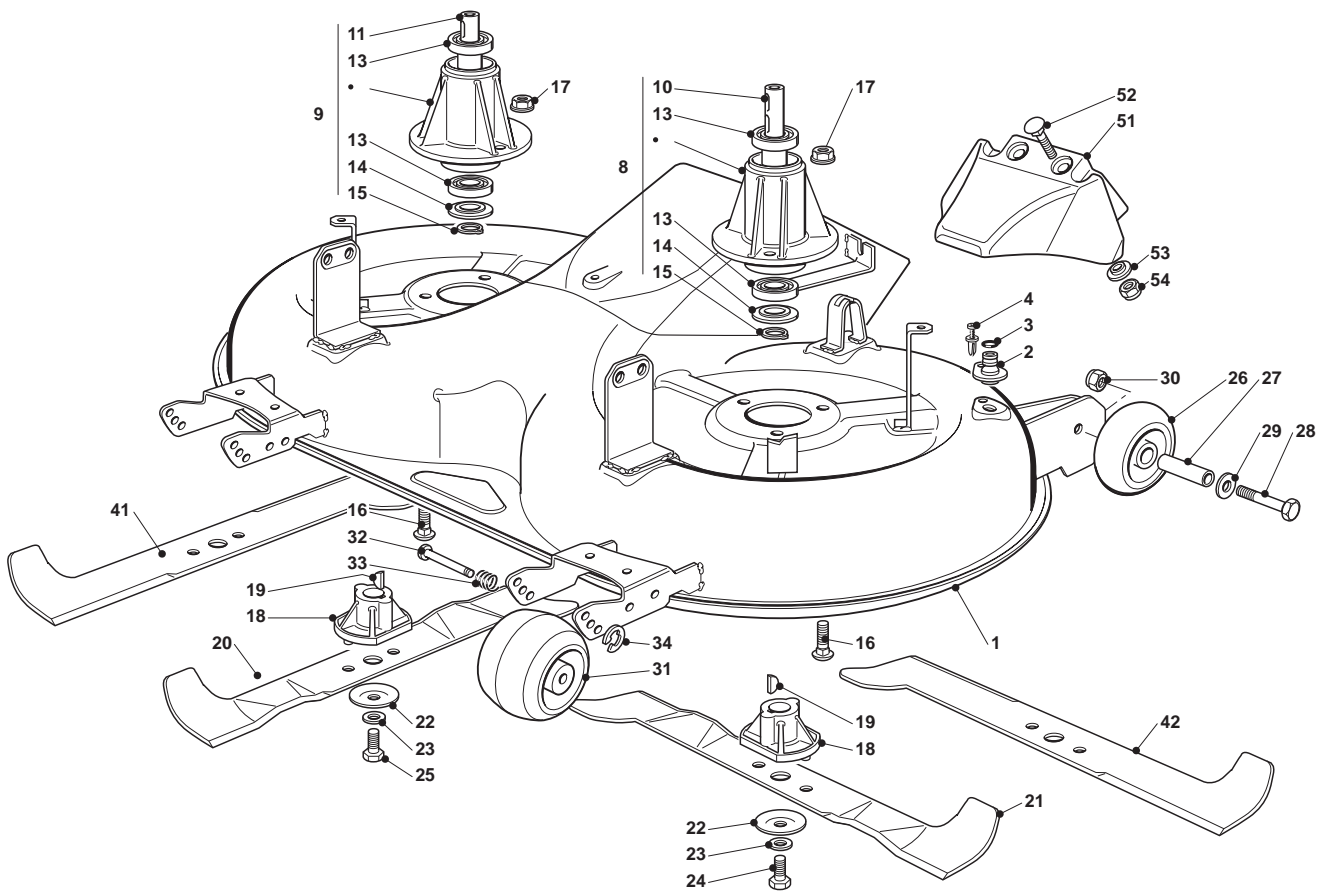


Cutting Plate Lifting

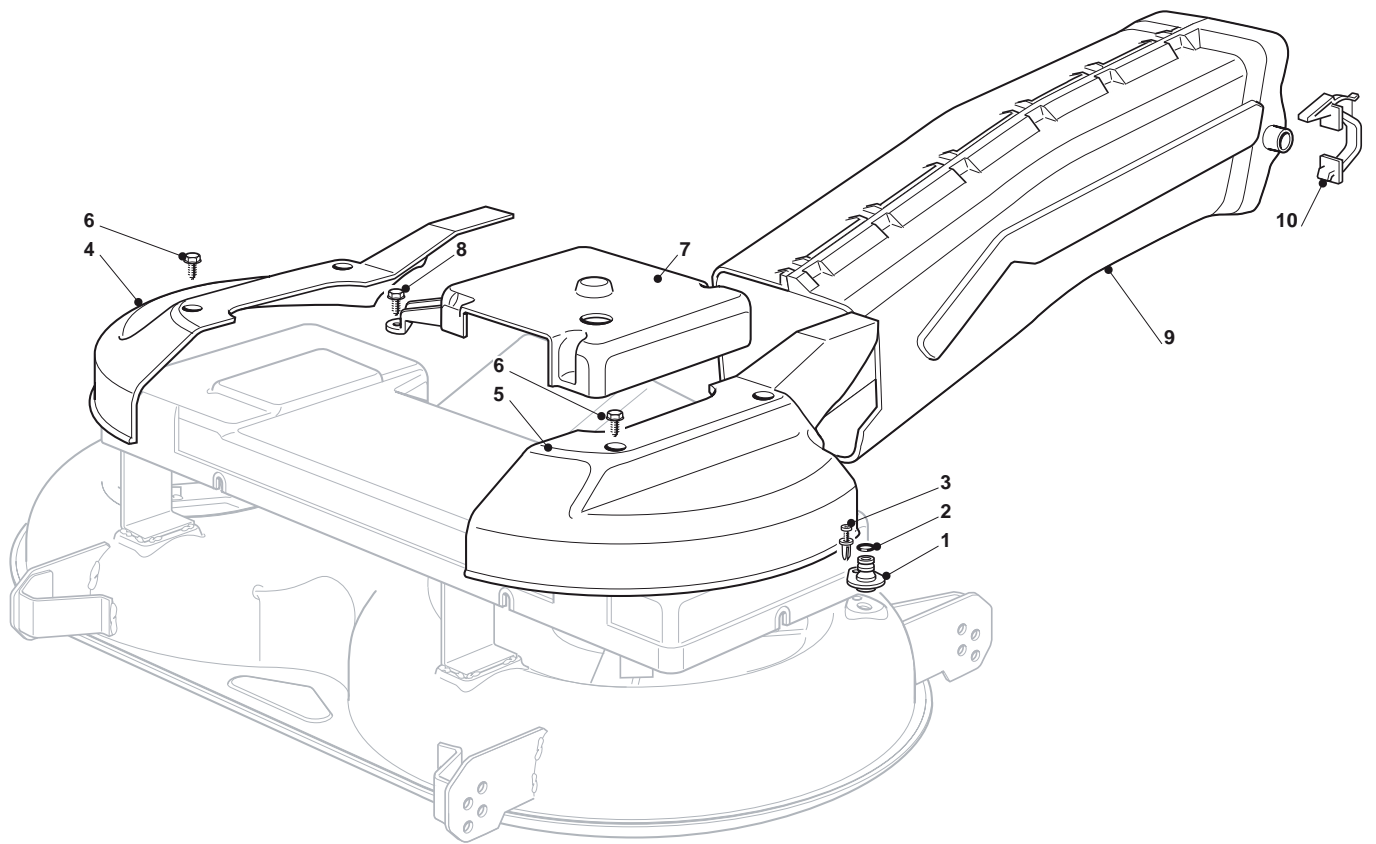
| POS | CODE | Q.TY | DESCRIPTION | DESCRIZIONE | DESCRIPTION | BESCHREIBUNG | NOTES |
|-----|-------------|------|----------------------|--------------------------|------------------------|-----------------------|-------|
| 2 | 382318139/0 | 1 | Deck Lifting Lever | Leva Sollevamento Piatto | Levier | Hebel | |
| 3 | 125605000/1 | 1 | Button | Pulsante | Bouton | Druckknopf | |
| 4 | 325470901/0 | 1 | Dog | Dog | Dog | Dog | |
| 5 | 125510011/0 | 1 | Pin | Perno | Pivot | Bolzen | |
| 6 | 125033002/0 | 1 | Pushrod | Pushrod | Pushrod | Pushrod | |
| 7 | 325394536/0 | 1 | Knob | Manopola | Poignee | Knopf | |
| 8 | 125430208/0 | 1 | Spring | Molla | Ressort | Feder | |
| 9 | 112604899/0 | 1 | Crown Fastener | Fissatore A Corona | Fixateur A Couronne | Kronescheibe | |
| 10 | 382000551/0 | 1 | Axle | Asse Avanzamento | Axe | Achse | |
| 11 | 122034523/0 | 2 | Bush | Bussola | Douille | Büchse | |
| 12 | 125160025/0 | 1 | Spacer | Distanziale | Entretoise | Distanzring | |
| 13 | 322672153/0 | 1 | Antifriction Washer | Rondella Antifrizione | Rondelle Antifricition | Anti Friktionswäscher | |
| 16 | 112620206/0 | 2 | Pin | Perno | Pivot | Bolzen | |
| 17 | 325735506/1 | 1 | Left Sector | Settore Sinistro | Secteur, Gauche | Sektor, Linke | |
| 18 | 112792611/0 | 2 | Screw | Vite | Vis | Schraube | |
| 19 | 112293201/0 | 2 | Nut | Dado | Ecrou | Mutter | |
| 31 | 382318155/0 | 1 | Fulcrum Lever | Leva Fulcro | Fulcrum Levier | Hebeldrehpunkt | |
| 32 | 382318157/0 | 1 | Left Fulcrum | Fulcro | Point D'Appui | Gelenkpunkt | |
| 33 | 125040605/0 | 4 | Bush | Bussola | Douille | Büchse | |
| 34 | 325318161/1 | 2 | Lever | Leva | Levier | Hebel | |
| 35 | 112691700/0 | 2 | Screw | Vite | Vis | Schraube | |
| 36 | 112521350/0 | 4 | Washer | Rosetta | Rondelle | Scheibe | |
| 37 | 112155000/0 | 2 | Nut | Dado | Ecrou | Mutter | |
| 38 | 125510056/1 | 2 | Pin | Perno | Pivot | Bolzen | |
| 39 | 112295200/0 | 4 | Hexagonal Nut | Dado | Ecrou | Mutter | |
| 40 | 112156602/0 | 2 | Nut | Dado | Ecrou | Mutter | |
| 41 | 325670008/1 | 4 | Washer | Rosetta | Rondelle | Scheibe | |
| 42 | 112156602/0 | 2 | Nut | Dado | Ecrou | Mutter | |
| 43 | 382000477/3 | 2 | Connecting Rod Ass.Y | Asta Collegamento | Tige De Connexion | Verbindungsstab | |
| 44 | 112155000/0 | 2 | Nut | Dado | Ecrou | Mutter | |
| 45 | 125510055/1 | 2 | Pin | Perno | Pivot | Bolzen | |
| 46 | 112521350/0 | 2 | Washer | Rosetta | Rondelle | Scheibe | |
| 47 | 112155000/0 | 2 | Nut | Dado | Ecrou | Mutter | |
| 48 | 325318153/2 | 2 | Rear Lever | Leva Posteriore | Levier Arriere | Hinterhebel | |
| 49 | 112609255/0 | 2 | Seeger | Seeger | Seeger | Seeger | |
| 50 | 325033071/0 | 1 | Connecting Rod | Asta Collegamento | Tige De Connexion | Verbindungsstab | |
| 51 | 325670011/0 | 7 | Antifriction Washer | Rondella Antifrizione | Rondelle Antifricition | Anti Friktionswäscher | |
| 52 | 125510053/2 | 7 | Pin | Perno | Pivot | Bolzen | |
| 54 | 112521350/0 | 2 | Washer | Rosetta | Rondelle | Scheibe | |
| 55 | 112436050/0 | 7 | Plate | Piastra | Plaque | Platte | |
| 56 | 125510056/1 | 2 | Pin | Perno | Pivot | Bolzen | |
| 57 | 325670008/1 | 4 | Washer | Rosetta | Rondelle | Scheibe | |
| 58 | 112156602/0 | 2 | Nut | Dado | Ecrou | Mutter | |
| 59 | 112794980/0 | 2 | Screw | Vite | Vis | Schraube | |
| 60 | 112295200/0 | 2 | Hexagonal Nut | Dado | Ecrou | Mutter | |
| 61 | 125510070/1 | 2 | Pin | Perno | Pivot | Bolzen | |
| 62 | 112523090/0 | 2 | Washer | Rosetta | Rondelle | Scheibe | |
| 63 | 124487998/0 | 2 | Cotter Pin | Coppiglia | Goupille | Split | |
| 64 | 125430218/0 | 1 | Spring | Molla | Ressort | Feder | |
| 66 | 112293200/0 | 2 | Hexagonal Nut | Dado | Ecrou | Mutter | |
| 71 | 125510048/1 | 1 | Pin | Perno | Pivot | Bolzen | |
| 72 | 325318223/0 | 2 | Gearshift | Leva | Levier | Hebel | |
| 73 | 382000585/0 | 1 | Axle | Asse Avanzamento | Axe | Achse | |
| 74 | 112815271/0 | 4 | Screw | Vite | Vis | Schraube | |
| 75 | 325785355/0 | 2 | Support | Supporto | Support | Halter | |
| 76 | 325785354/0 | 2 | Support | Supporto | Support | Halter | |
| 77 | 325034003/0 | 4 | Brass | Brass | Brass | Brass | |
| 78 | 112523040/0 | 4 | Washer | Rosetta | Rondelle | Scheibe | |
| 79 | 112154510/0 | 4 | Nut | Dado | Ecrou | Mutter | |



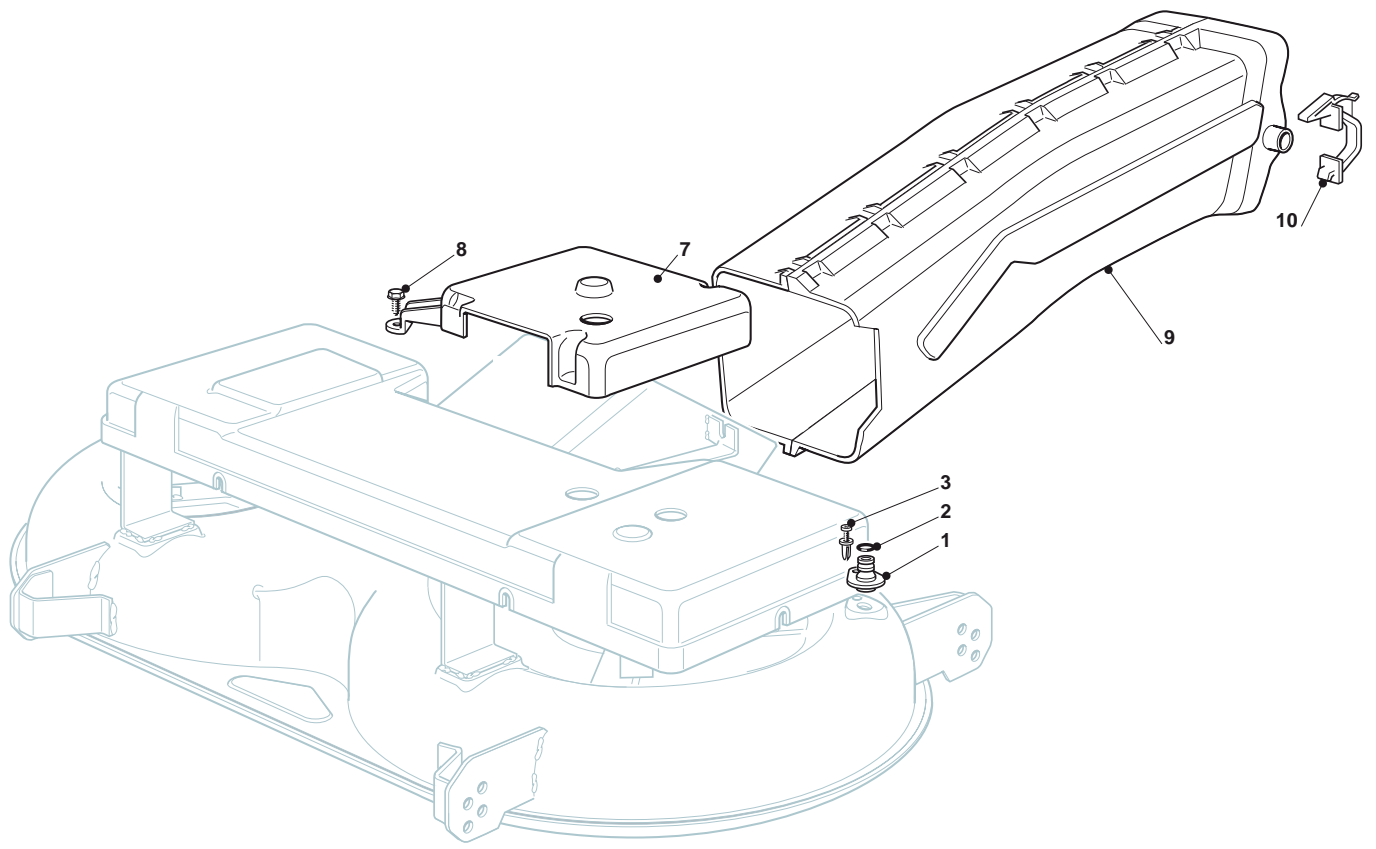
| Balades Engagement | | | | | | | |
|--------------------|-------------|------|----------------------|-------------------|----------------------|----------------------------|-------|
| POS | CODE | Q.TY | DESCRIPTION | DESCRIZIONE | DESCRIPTION | BESCHREIBUNG | NOTES |
| 1 | 382547029/2 | 1 | Plate | Piastra | Plaque | Platte | |
| 2 | 112792611/0 | 4 | Screw | Vite | Vis | Schraube | |
| 3 | 112293201/0 | 4 | Nut | Dado | Ecrou | Mutter | |
| 4 | 382785084/1 | 1 | Support | Supporto | Support | Halter | |
| 5 | 125601559/1 | 2 | Toothed Pulley | Toothed Pulley | Toothed Pulley | Toothed Pulley | |
| 6 | 119216048/0 | 2 | Bearing | Cuscinetto | Roul. À Billes | Kugellager | |
| 7 | 112610800/0 | 2 | Snap Ring | Anello Seeger | Circlip | Circlip | |
| 8 | 112609200/0 | 2 | Seeger | Seeger | Seeger | Seeger | |
| 9 | 325650037/0 | 1 | Pulley Stiffening | Rinforzo Puleggia | Reinforcement Poulie | Verstaerkung Riemenscheibe | |
| 10 | 112793102/0 | 2 | Screw | Vite | Vis | Schraube | |
| 11 | 112521350/0 | 2 | Washer | Rosetta | Rondelle | Scheibe | |
| 12 | 112583500/0 | 2 | Grower | Grower | Grower | Federring | |
| 13 | 125160003/0 | 4 | Spacer | Distanziale | Entretoise | Distanzring | |
| 14 | 125038000/0 | 4 | Bush | Bussola | Douille | Büchse | |
| 15 | 112691700/0 | 1 | Screw | Vite | Vis | Schraube | |
| 16 | 112691200/0 | 3 | Screw | Vite | Vis | Schraube | |
| 17 | 112521350/0 | 4 | Washer | Rosetta | Rondelle | Scheibe | |
| 18 | 112155000/0 | 4 | Nut | Dado | Ecrou | Mutter | |
| 19 | 112793900/0 | 1 | Screw | Vite | Vis | Schraube | |
| 20 | 112293200/0 | 1 | Hexagonal Nut | Dado | Ecrou | Mutter | |
| 21 | 125601560/0 | 2 | Pulley | Puleggia | Poulie | Riemenscheibe | |
| 22 | 112139480/0 | 3 | Feather | Linguetta | Clavette | Keil | |
| 23 | 112793102/0 | 1 | Screw | Vite | Vis | Schraube | |
| 24 | 125670007/0 | 1 | Washer | Rosetta | Rondelle | Scheibe | |
| 25 | 112583500/0 | 1 | Grower | Grower | Grower | Federring | |
| 26 | 135065600/0 | 1 | Belt | Cinghia | Courroie | Riemen | |
| 27 | 112815200/0 | 3 | Screw | Vite | Vis | Schraube | |
| 28 | 112292102/0 | 3 | Nut | Dado | Ecrou | Mutter | |
| 29 | 125060100/3 | 1 | Protection | Protezione | Protection | Schutz | |
| 30 | 112735110/0 | 6 | Screw | Vite | Vis | Schraube | |
| 31 | 125601550/0 | 1 | Pulley | Puleggia | Poulie | Riemenscheibe | |
| 32 | 112793102/0 | 1 | Screw | Vite | Vis | Schraube | |
| 33 | 125670007/0 | 1 | Washer | Rosetta | Rondelle | Scheibe | |
| 34 | 112583500/0 | 1 | Grower | Grower | Grower | Federring | |
| 35 | 125160002/0 | 1 | Spacer | Distanziale | Entretoise | Distanzring | |
| 36 | 325318115/1 | 1 | Lever | Leva | Levier | Hebel | |
| 40 | 125601555/0 | 1 | Pulley | Puleggia | Poulie | Riemenscheibe | |
| 41 | 125160007/0 | 1 | Spacer | Distanziale | Entretoise | Distanzring | |
| 42 | 112818900/0 | 1 | Screw | Vite | Vis | Schraube | |
| 43 | 112523060/0 | 1 | Washer | Rosetta | Rondelle | Scheibe | |
| 44 | 112155000/0 | 1 | Nut | Dado | Ecrou | Mutter | |
| 45 | 112793102/0 | 1 | Screw | Vite | Vis | Schraube | |
| 46 | 112523070/0 | 1 | Washer | Rosetta | Rondelle | Scheibe | |
| 47 | 112583500/0 | 1 | Grower | Grower | Grower | Federring | |
| 48 | 135062811/0 | 1 | Belt | Cinghia | Courroie | Riemen | |
| 50 | 112523060/0 | 1 | Washer | Rosetta | Rondelle | Scheibe | |
| 91 | 182004608/0 | 1 | Blade Engagment Wire | Filo | Fil | Kabel | |



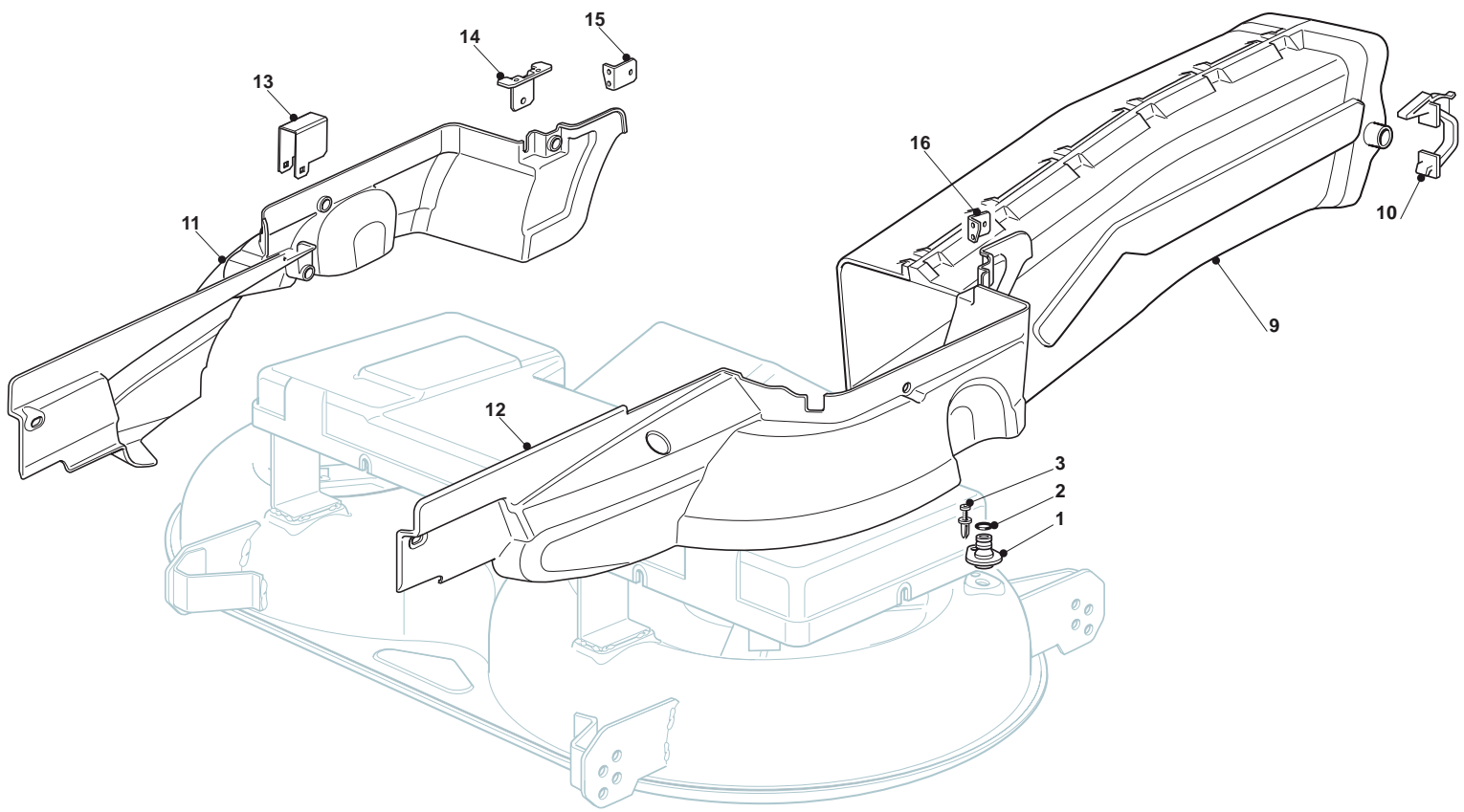
| Cutting Plate | | | | | | | |
|---------------|-------------|------|---------------------------------|--------------------------------------|---------------------------------|--------------------------------|-------|
| POS | CODE | Q.TY | DESCRIPTION | DESCRIZIONE | DESCRIPTION | BESCHREIBUNG | NOTES |
| 1 | 382564131/0 | 1 | Cutting Plate Black | Piatto Di Taglio Nero | Plateau De Coupe Noir | Schneidwerkzeug Schwarz | |
| 1 | 382564132/0 | 1 | Cutting Plate Red | Piatto Di Taglio Rosso | Plateau De Coupe Rouge | Schneidwerkzeug Rot | |
| 1 | 382564133/0 | 1 | Cutting Plate Yellow | Piatto Di Taglio Giallo | Plateau De Coupe Jaune | Schneidwerkzeug Gelb | |
| 2 | 125033060/0 | 2 | Washing Cutting Deck Connection | Attacco Lavaggio Piatto | Attaque Lavage Plateau De Coupe | Wasseranschluß Mähwerk | |
| 3 | 119035000/0 | 2 | O.R. Ring | O.R. Ring | O.R. Ring | O.R. Ring | |
| 4 | 112500030/0 | 2 | Rivet | Rivetto | Rivet | Niet | |
| 8 | 382207200/1 | 1 | Flange Assy | Ass. Flangia Collet. Aspiraz. | Bride Collect. Aspiration | Flansch Koll. Ansaugung | |
| 9 | 382207201/2 | 1 | Support Shaft Tc | Flangia Albero Secondario | Flange Arbre Lame Secondaire | Messerwellw Kpl | |
| 10 | 125020800/1 | 1 | Main Blade Shaft | Albero Lama Principale | Arbre Lame Principal | Haupt Messerwelle | |
| 11 | 125020801/2 | 1 | Secondary Blade Shaft | Albero Lama Secondario | Arbre Lame Secondaire | Zweite Messerwelle | |
| 13 | 119216032/0 | 4 | Bearing | Cuscinetto | Roul. À Billes | Kugellager | |
| 14 | 325160501/0 | 2 | Dust Cover Disc | Disco Parapolvere | Protege-Poussiere | Staubschuttscheibe | |
| 15 | 112609260/0 | 2 | Seeger | Seeger | Seeger | Seeger | |
| 16 | 112818700/0 | 6 | Screw | Vite | Vis | Schraube | |
| 17 | 112154210/0 | 6 | Self-Locking Nut | Dado Autobloccante | Écrou auto-bloquant | Selbstsichernde Mutter | |
| 18 | 125463200/0 | 2 | Blade Hub | Mozzo, Coltello | Moyeu Lame | Halter-Messer | |
| 19 | 112139100/0 | 2 | Key | Chiavetta | Clavette | Keil | |
| 20 | 182004348/0 | 1 | Right Mulching Blade | Coltello Destro Mulching | Lame Droit Mulching | Rechter Messer Mulching | |
| 21 | 182004347/0 | 1 | Left Blade Mulching, Winged | Coltello Sinistro Mulching, Alettato | Lame Gauche Mulching, Aillettee | Linker Messer Mulching, Flügel | |
| 22 | 122160400/0 | 2 | Elastic Washer | Disco Elastico | Disque Elastique | Federscheibe | |
| 23 | 112523080/0 | 2 | Washer | Rosetta | Rondelle | Scheibe | |
| 24 | 112735694/0 | 1 | Screw | Vite | Vis | Schraube | |
| 25 | 112735695/1 | 1 | Screw | Vite | Vis | Schraube | |
| 26 | 182700003/0 | 2 | Anti Scalp Wheel Ø 80 | Ruotino Antiscalpo Ø 80 | Roulettes Antiscalp Ø 80 | Skalpierschutzrädchen Ø 80 | |
| 27 | 125510072/0 | 2 | Pin | Perno | Pivot | Bolzen | |
| 28 | 112692050/0 | 2 | Screw | Vite | Vis | Schraube | |
| 29 | 112523060/0 | 2 | Washer | Rosetta | Rondelle | Scheibe | |
| 30 | 112293201/0 | 2 | Nut | Dado | Ecrou | Mutter | |
| 31 | 182700004/0 | 2 | Anti Scalp Wheel Ø 100 | Ruotino Antiscalpo Ø 100 | Roulettes Antiscalp Ø 100 | Skalpierschutzrädchen Ø 100 | |
| 32 | 125510121/0 | 2 | Pin | Perno | Pivot | Bolzen | |
| 33 | 122450115/0 | 2 | Spring | Molla | Ressort | Feder | |
| 34 | 112000930/0 | 2 | Benzing Ring | Anello Benzing | Anneau Benzing | Ring Benzing | |
| 41 | 182004341/1 | 1 | Right Blade, Winged | Coltello Destro, Alettato | Lame Droit, Aillettee | Rechter Messer, Flügel | |
| 42 | 182004340/1 | 1 | Left Blade, Winged | Coltello Sinistro, Alettato | Lame Gauche, Aillettee | Linker Messer, Flügel | |
| 51 | 325140100/0 | 1 | Deflector | Deflettore | Deflecteur | Abweiser | |
| 52 | 112815210/0 | 2 | Screw | Vite | Vis | Schraube | |
| 53 | 125038002/1 | 2 | Bush | Bussola | Douille | Büchse | |
| 54 | 112154510/0 | 2 | Nut | Dado | Ecrou | Mutter | |



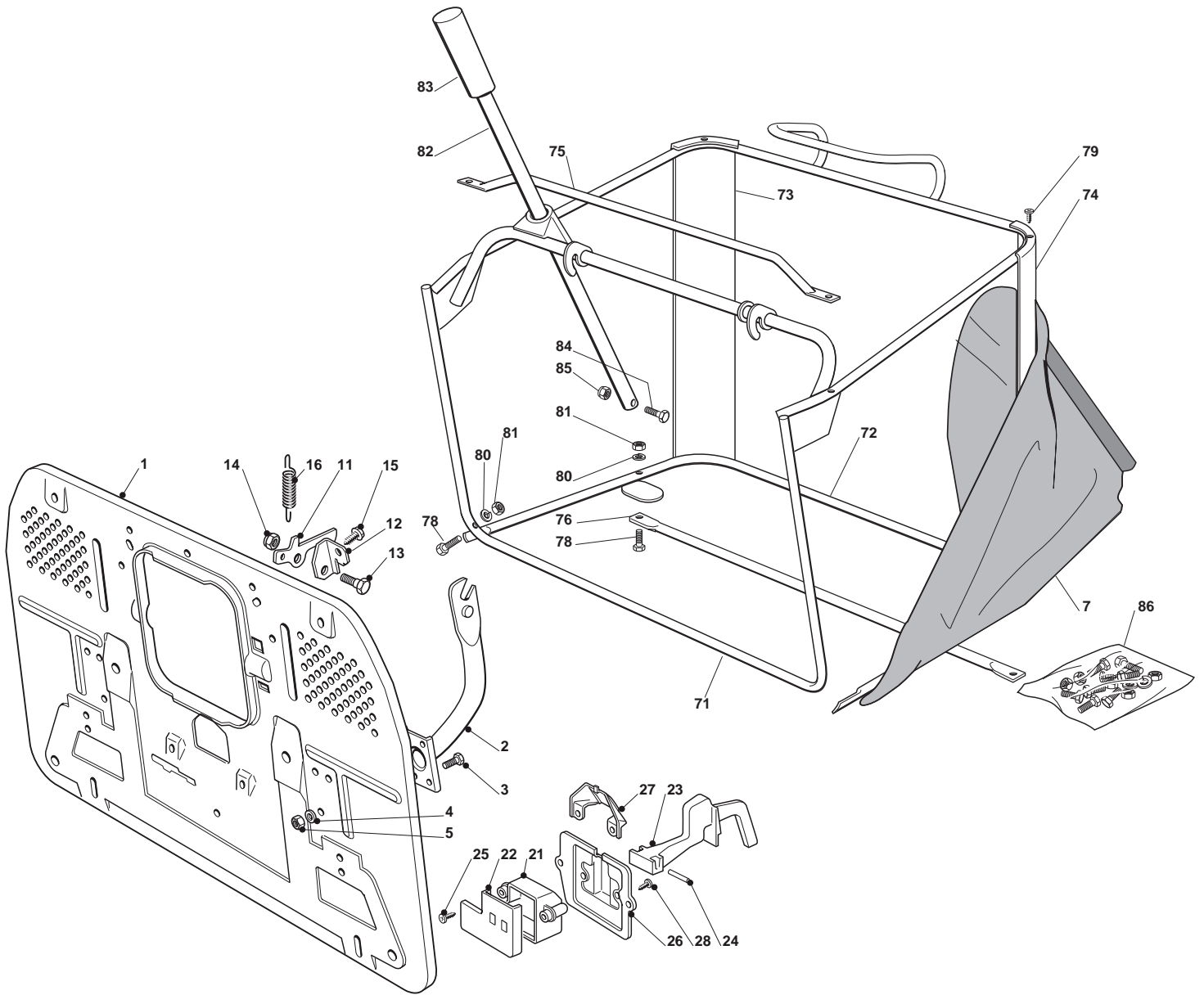
| Guards And Conveyor | | | | | | | |
|---------------------|-------------|------|---------------------------------|------------------------------|-----------------------------------|------------------------|-------|
| POS | CODE | Q.TY | DESCRIPTION | DESCRIZIONE | DESCRIPTION | BESCHREIBUNG | NOTES |
| 1 | 125033060/0 | 2 | Washing Cutting Deck Connection | Attacco Lavaggio Piatto | Attaque Lavage Plateau De Coupe | Wasseranschluß Mähwerk | |
| 2 | 119035000/0 | 2 | O.R. Ring | O.R. Ring | O.R. Ring | O.R. Ring | |
| 3 | 112500030/0 | 2 | Rivet | Rivetto | Rivet | Niet | |
| 4 | 125060104/0 | 1 | Right Belt Protection Carter | Carter Protezione Cinghia Dx | Carter Protection Courroie Droit | Schutz Rechte, Riemen | Black |
| 4 | 325060113/0 | 1 | Right Belt Protection Carter | Carter Protezione Cinghia Dx | Carter Protection Courroie Droit | Schutz Rechte, Riemen | Grey |
| 5 | 125060105/0 | 1 | Left Belt Protection Carter | Carter Protezione Cinghia Sx | Carter Protection Courroie Gauche | Schutz Linke, Riemen | Black |
| 5 | 325060114/0 | 1 | Left Belt Protection Carter | Carter Protezione Cinghia Sx | Carter Protection Courroie Gauche | Schutz Linke, Riemen | Grey |
| 6 | 112735403/0 | 4 | Screw | Vite | Vis | Schraube | |
| 7 | 125600049/0 | 1 | Belt Protection | Carter Cinghia | Protection Courroie | Schutz, Riemen | |
| 8 | 112735403/0 | 3 | Screw | Vite | Vis | Schraube | |
| 9 | 382108016/1 | 1 | Conveyor | Convogliatore | Convoyeur | Konveyor | |
| 10 | 325774373/0 | 2 | Clamp | Staffa | Etrier | Bride | |



| Guards And Conveyor | | | | | | | |
|---------------------|-------------|------|---------------------------------|-------------------------|---------------------------------|------------------------|-------|
| POS | CODE | Q.TY | DESCRIPTION | DESCRIZIONE | DESCRIPTION | BESCHREIBUNG | NOTES |
| 1 | 125033060/0 | 2 | Washing Cutting Deck Connection | Attacco Lavaggio Piatto | Attaque Lavage Plateau De Coupe | Wasseranschluß Mähwerk | |
| 2 | 119035000/0 | 2 | O.R. Ring | O.R. Ring | O.R. Ring | O.R. Ring | |
| 3 | 112500030/0 | 2 | Rivet | Rivetto | Rivet | Niet | |
| 7 | 125600049/0 | 1 | Belt Protection | Carter Cinghia | Protection Courroie | Schutz, Riemen | |
| 8 | 112735403/0 | 3 | Screw | Vite | Vis | Schraube | |
| 9 | 382108016/1 | 1 | Conveyor | Convogliatore | Convoyeur | Konveyor | |
| 10 | 325774373/0 | 2 | Clamp | Staffa | Etrier | Bride | |



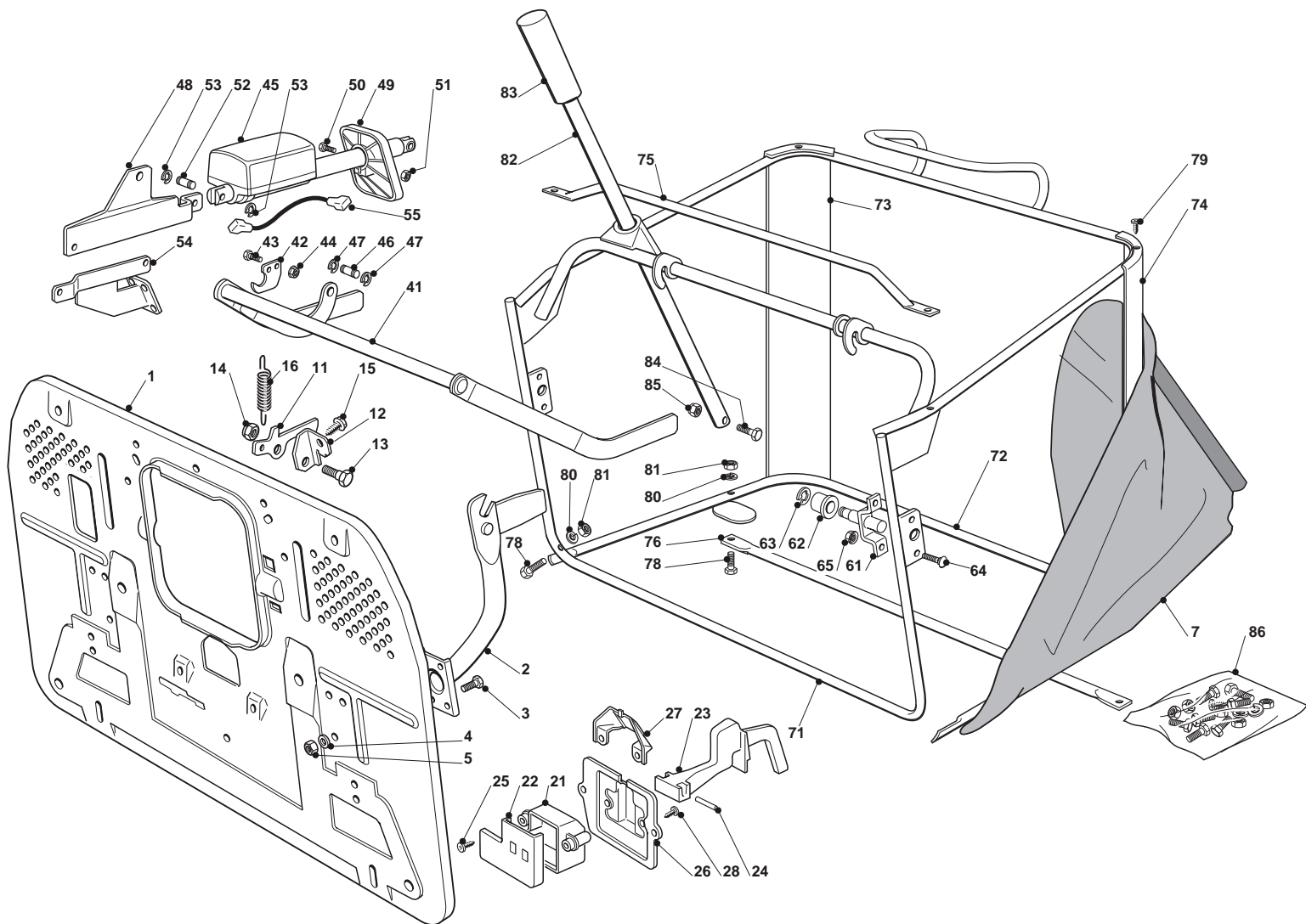
| Guards And Conveyor | | | | | | | |
|---------------------|-------------|------|---------------------------------|-------------------------|---------------------------------|------------------------|-------|
| POS | CODE | Q.TY | DESCRIPTION | DESCRIZIONE | DESCRIPTION | BESCHREIBUNG | NOTES |
| 1 | 125033060/0 | 2 | Washing Cutting Deck Connection | Attacco Lavaggio Piatto | Attaque Lavage Plateau De Coupe | Wasseranschluß Mähwerk | |
| 2 | 119035000/0 | 2 | O.R. Ring | O.R. Ring | O.R. Ring | O.R. Ring | |
| 9 | 382108016/1 | 1 | Conveyor | Convogliatore | Convoyeur | Konveyor | |
| 10 | 325774373/0 | 2 | Clamp | Staffa | Etrier | Bride | |
| 11 | 325060144/0 | 1 | Protection | Protezione | Protection | Schutz | |
| 12 | 325060145/0 | 1 | Protection | Protezione | Protection | Schutz | |
| 13 | 325774267/0 | 2 | Clamp | Staffa | Etrier | Bride | |
| 14 | 325774423/0 | 2 | Clamp | Staffa | Etrier | Bride | |
| 15 | 325774425/0 | 1 | Clamp | Staffa | Etrier | Bride | |
| 16 | 325774421/0 | 1 | Clamp | Staffa | Etrier | Bride | |



Grasscatcher

for model with grasscatcher manual lifting

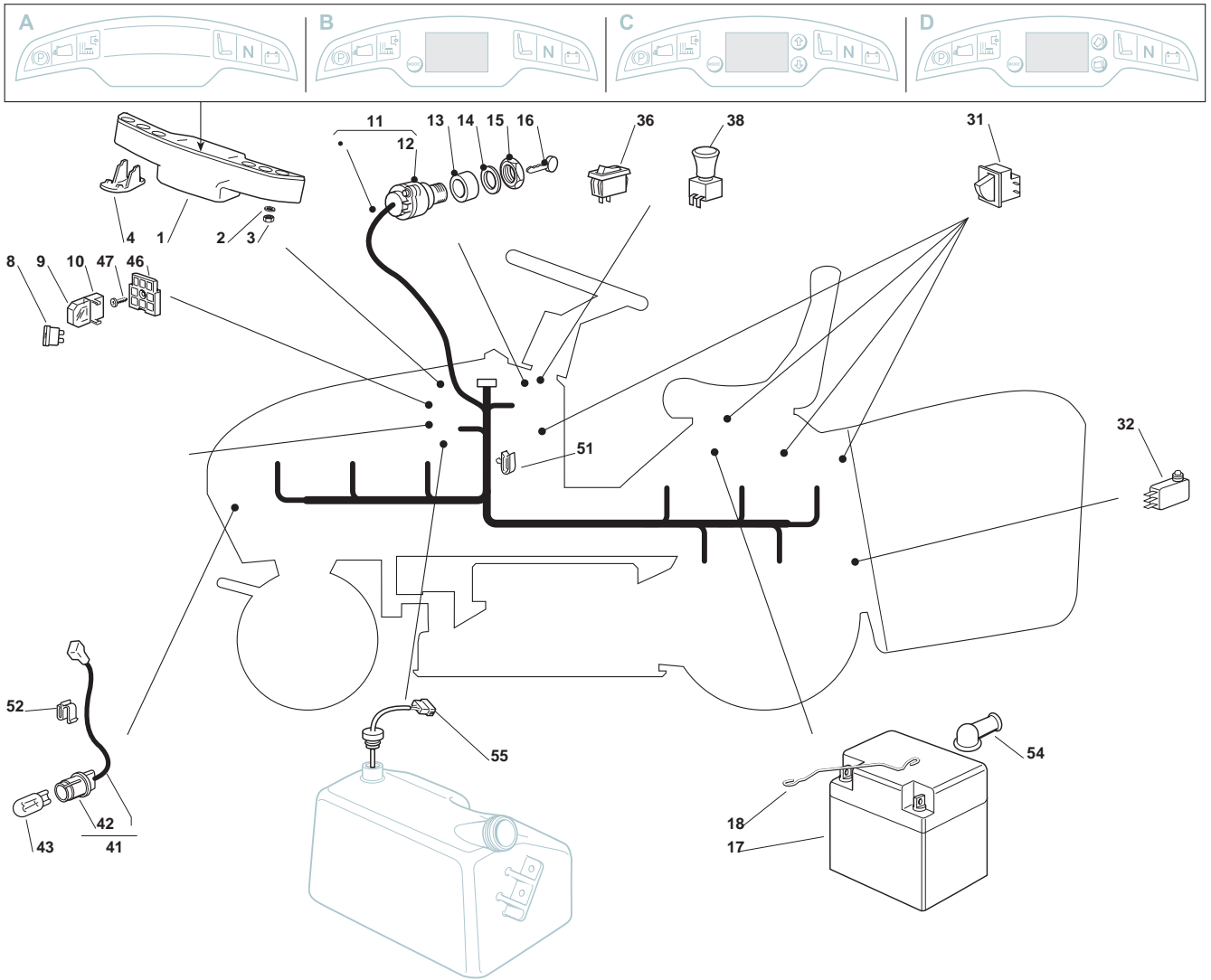
| POS | CODE | Q.TY | DESCRIPTION | DESCRIZIONE | DESCRIPTION | BESCHREIBUNG | NOTES |
|-----|-------------|------|--------------------------------|-----------------------|--------------------------|-----------------------|-------|
| 1 | 382547051/0 | 1 | Plate | Piastra | Plaque | Platte | |
| 2 | 182774225/1 | 2 | Support | Supporto | Support | Halter | |
| 3 | 112793102/0 | 6 | Screw | Vite | Vis | Schraube | |
| 4 | 112523060/0 | 6 | Washer | Rosetta | Rondelle | Scheibe | |
| 5 | 112293201/0 | 6 | Nut | Dado | Ecrou | Mutter | |
| 7 | 182106000/2 | 1 | Grasscatcher | Confezione Sacco | Bac | Sack | |
| 11 | 325774315/1 | 1 | Bracket | Staffa | Etrier | Bride | |
| 12 | 325755031/1 | 1 | Bracket | Staffa | Etrier | Bride | |
| 13 | 125510080/1 | 1 | Pin | Perno | Pivot | Bolzen | |
| 14 | 112292102/0 | 1 | Nut | Dado | Ecrou | Mutter | |
| 15 | 112735122/0 | 1 | Screw | Vite | Vis | Schraube | |
| 16 | 125430210/1 | 1 | Spring | Molla | Ressort | Feder | |
| 21 | 125600041/0 | 1 | Micro Protection | Protezione Micro | Protection Micro | Schutz | |
| 22 | 125600042/0 | 1 | Micro Protection | Protezione Micro | Protection Micro | Schutz | |
| 23 | 125318124/0 | 1 | Full Grassc. Microswitch Cover | Leva Comando Micro | Levier Microint. | Kontaktgeber Vollkorb | |
| 24 | 112400030/0 | 1 | Pin | Perno | Pivot | Bolzen | |
| 25 | 112728510/0 | 1 | Screw | Vite | Vis | Schraube | |
| 26 | 325785272/0 | 1 | Micro Protection | Protezione Micro | Protection Micro | Schutz | |
| 27 | 125600048/0 | 1 | Cover | Coperchio | Couvercle | Deckel | |
| 28 | 112728450/0 | 2 | Screw | Vite | Vis | Schraube | |
| 71 | 382800051/0 | 1 | Upper Frame | Telaio Superiore | Chassis Superieur | Obererrahmen | |
| 72 | 382800002/2 | 1 | Lower Grasscatcher Frame | Telaio Inferiore | Chassis Inferieur | Unterrahmen | |
| 73 | 325032001/1 | 1 | Right Angular Support | Angolare Destro | Support Angulaire Droit | Rechter Halter | |
| 74 | 325032002/1 | 1 | Left Angular Support | Angolare Sinistro | Support Angulaire Gauche | Linker Halter | |
| 75 | 382394001/2 | 1 | Front Handle | Impugnatura Anteriore | Poignée Avant | Handgriff Vorne | |
| 76 | 382650038/0 | 1 | Lower Stiffening | Rinforzo Inferiore | Renforcement Inferieure | Obere Verstaerkung | |
| 78 | 112792099/0 | 4 | Screw | Vite | Vis | Schraube | |
| 79 | 112729601/1 | 4 | Screw | Vite | Vis | Schraube | |
| 80 | 112582101/0 | 4 | Grower | Grower | Grower | Federring | |
| 81 | 112292100/0 | 4 | Hexagonal Nut | Dado | Ecrou | Mutter | |
| 82 | 125869029/1 | 1 | Lifting Tube | Lifting Tube | Lifting Tube | Lifting Tube | |
| 83 | 125394508/0 | 1 | Knob | Manopola | Poignee | Knopf | |
| 84 | 112792099/0 | 1 | Screw | Vite | Vis | Schraube | |
| 85 | 112154510/0 | 1 | Nut | Dado | Ecrou | Mutter | |
| 86 | 382180027/1 | 1 | Screws Outfit | Dotazione Viteria | Ensemble Des Vis | Schraubenausruistung | |



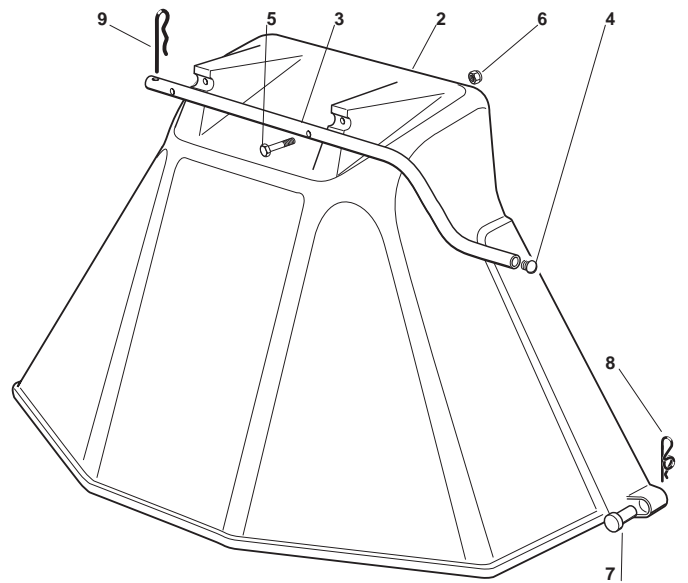
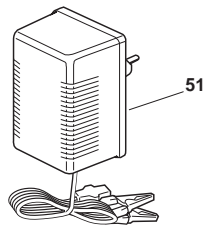
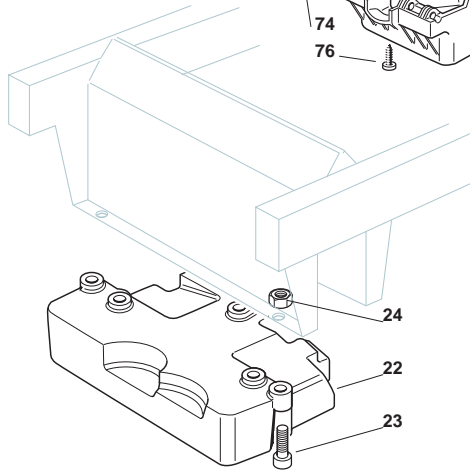
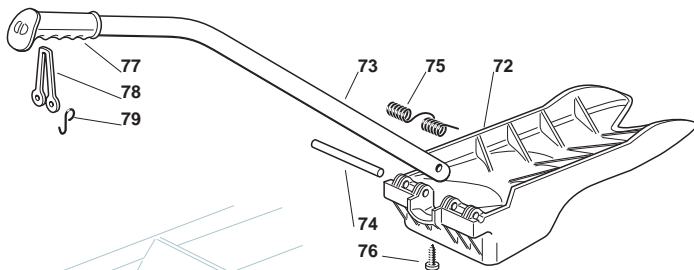
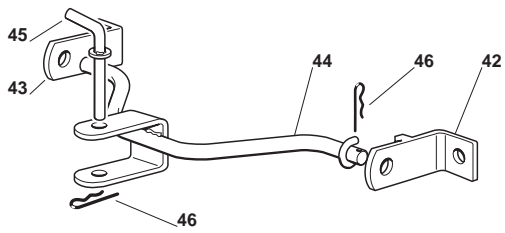
Grasscatcher

for model with grasscatcher electric lifting

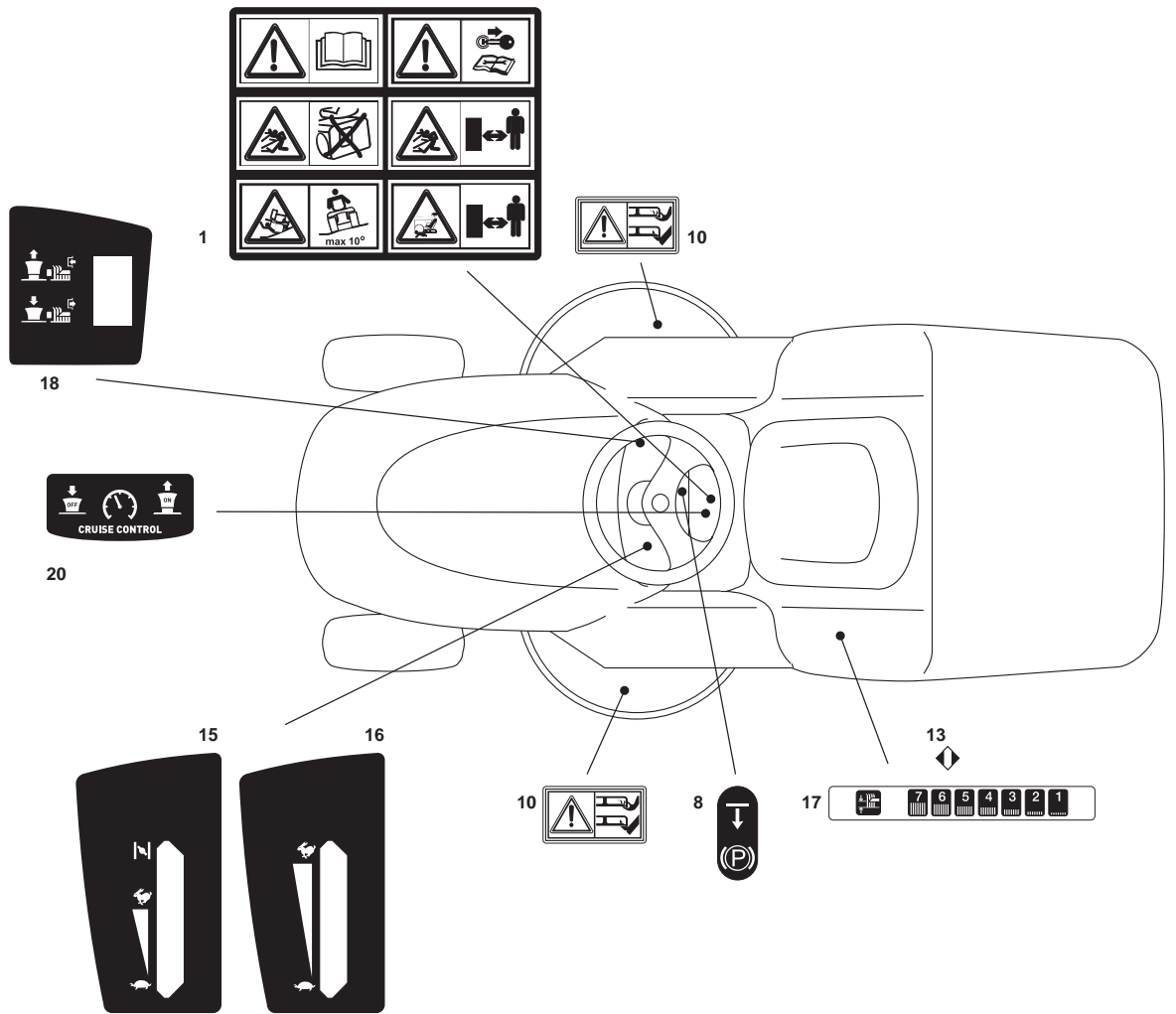
| POS | CODE | Q.TY | DESCRIPTION | DESCRIZIONE | DESCRIPTION | BESCHREIBUNG | NOTES |
|-----|-------------|------|--------------------------------|-----------------------|--------------------------|-----------------------|-------|
| 1 | 382547053/0 | 1 | Plate | Piastra | Plaque | Platte | |
| 2 | 382774245/0 | 2 | Support | Supporto | Support | Halter | |
| 3 | 112793102/0 | 6 | Screw | Vite | Vis | Schraube | |
| 4 | 112523060/0 | 6 | Washer | Rosetta | Rondelle | Scheibe | |
| 5 | 112293201/0 | 6 | Nut | Dado | Ecrou | Mutter | |
| 7 | 182106000/2 | 1 | Grasscatcher | Confezione Sacco | Bac | Sack | |
| 11 | 325774315/1 | 1 | Bracket | Staffa | Etrier | Bride | |
| 12 | 325755031/1 | 1 | Bracket | Staffa | Etrier | Bride | |
| 13 | 125510080/1 | 1 | Pin | Perno | Pivot | Bolzen | |
| 14 | 112292102/0 | 1 | Nut | Dado | Ecrou | Mutter | |
| 15 | 112735122/0 | 1 | Screw | Vite | Vis | Schraube | |
| 16 | 125430210/1 | 1 | Spring | Molla | Ressort | Feder | |
| 21 | 125600041/0 | 1 | Micro Protection | Protezione Micro | Protection Micro | Schutz | |
| 22 | 125600042/0 | 1 | Micro Protection | Protezione Micro | Protection Micro | Schutz | |
| 23 | 125318124/0 | 1 | Full Grassc. Microswtich Cover | Leva Comando Micro | Levier Microint. | Kontaktgeber Vollkorb | |
| 24 | 112400030/0 | 1 | Pin | Perno | Pivot | Bolzen | |
| 25 | 112728510/0 | 1 | Screw | Vite | Vis | Schraube | |
| 26 | 325785272/0 | 1 | Micro Protection | Protezione Micro | Protection Micro | Schutz | |
| 27 | 125600048/0 | 1 | Cover | Coperchio | Couvercle | Deckel | |
| 28 | 112728450/0 | 2 | Screw | Vite | Vis | Schraube | |
| 41 | 382000507/1 | 1 | Axle | Asse Avanzamento | Axe | Achse | |
| 42 | 325774317/0 | 2 | Clamp | Staffa | Etrier | Bride | |
| 43 | 112815210/0 | 4 | Screw | Vite | Vis | Schraube | |
| 44 | 112154510/0 | 4 | Nut | Dado | Ecrou | Mutter | |
| 45 | 118001000/0 | 1 | Actuator | Actuator | Actuator | Actuator | |
| 46 | 125510083/0 | 1 | Pin | Perno | Pivot | Bolzen | |
| 47 | 112000955/0 | 2 | Benzing Ring | Anello Benzing | Anneau Benzing | Ring Benzing | |
| 48 | 325785197/0 | 1 | Actuator Support Tc | Supporto Adattatore | Actuator Support Tc | Aktuator Halter | |
| 49 | 325600060/0 | 1 | Protection | Protezione | Protection | Schutz | |
| 50 | 112727795/0 | 1 | Screw | Vite | Vis | Schraube | |
| 51 | 112291000/0 | 1 | Hexagonal Nut | Dado | Ecrou | Mutter | |
| 52 | 125510083/0 | 1 | Pin | Perno | Pivot | Bolzen | |
| 53 | 112000955/0 | 2 | Benzing Ring | Anello Benzing | Anneau Benzing | Ring Benzing | |
| 54 | 382650209/0 | 1 | Stiffening | Rinforzo | Renforcement | Verstaerkung | |
| 55 | 125065030/0 | 1 | Connecting Cable | Cavo Collegamento | Cable De Connexion | Verbindungskabel | |
| 61 | 382785147/0 | 2 | Support | Supporto | Support | Halter | |
| 62 | 125690001/0 | 2 | Roll | Rullino | Rouleau | Walze | |
| 63 | 112000956/0 | 2 | Ring (Benzing) | Anello (Benzing) | Anneau (Benzing) | Ring (Benzing) | |
| 64 | 112818690/0 | 4 | Screw | Vite | Vis | Schraube | |
| 65 | 112293201/0 | 4 | Nut | Dado | Ecrou | Mutter | |
| 71 | 382800093/0 | 1 | Upper Frame | Telaio Superiore | Chassis Superieur | Obererrahmen | |
| 72 | 382800002/2 | 1 | Lower Grasscatcher Frame | Telaio Inferiore | Chassis Inferieur | Unterrahmen | |
| 73 | 325032001/1 | 1 | Right Angular Support | Angolare Destro | Support Angulaire Droit | Rechter Halter | |
| 74 | 325032002/1 | 1 | Left Angular Support | Angolare Sinistro | Support Angulaire Gauche | Linker Halter | |
| 75 | 382394001/2 | 1 | Front Handle | Impugnatura Anteriore | Poignée Avant | Handgriff Vorne | |
| 76 | 382650038/0 | 1 | Lower Stiffening | Rinforzo Inferiore | Renforcement Inferieure | Obere Verstaerkung | |
| 78 | 112792099/0 | 4 | Screw | Vite | Vis | Schraube | |
| 79 | 112729601/1 | 4 | Screw | Vite | Vis | Schraube | |
| 80 | 112582101/0 | 4 | Grower | Grower | Grower | Federring | |
| 81 | 112292100/0 | 4 | Hexagonal Nut | Dado | Ecrou | Mutter | |
| 82 | 125869029/1 | 1 | Lifting Tube | Lifting Tube | Lifting Tube | Lifting Tube | |
| 83 | 125394508/0 | 1 | Knob | Manopola | Poignee | Knopf | |
| 84 | 112792099/0 | 1 | Screw | Vite | Vis | Schraube | |
| 85 | 112154510/0 | 1 | Nut | Dado | Ecrou | Mutter | |
| 86 | 382180045/0 | 1 | Screw | Vite | Vis | Schraube | |



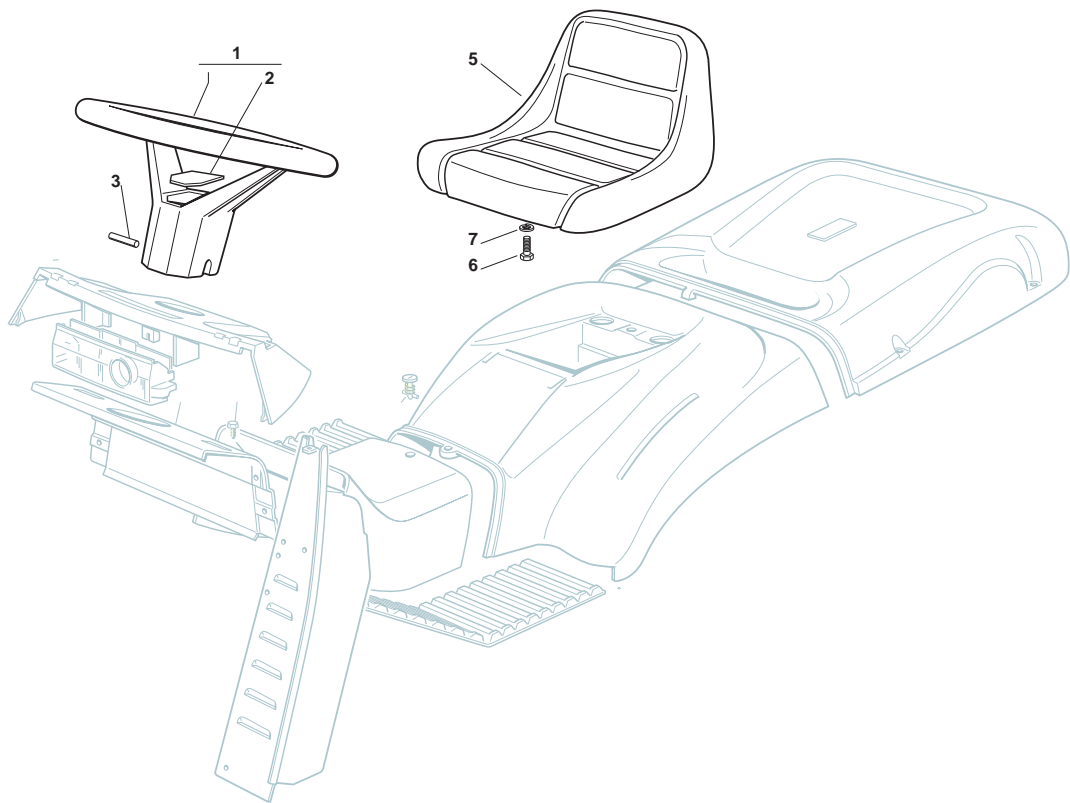
| Electric Parts | | | | | | | |
|----------------|-------------|------|----------------------|-------------------------|--------------------------|------------------------|-------|
| POS | CODE | Q.TY | DESCRIPTION | DESCRIZIONE | DESCRIPTION | BESCHREIBUNG | NOTES |
| 1 | 382722420/2 | 1 | Cards + Guards (A) | Schede + Protezioni (A) | Cartes + Protections (A) | Karte + Schutze (A) | |
| 1 | 382722421/2 | 1 | Cards + Guards (B) | Schede + Protezioni (B) | Cartes + Protections (B) | Karte + Schutze (B) | |
| 1 | 382722422/3 | 1 | Cards + Guards (D) | Schede + Protezioni (D) | Cartes + Protections (D) | Karte + Schutze (D) | |
| 1 | 382722423/2 | 1 | Cards + Guards (C) | Schede + Protezioni (C) | Cartes + Protections (C) | Karte + Schutze (C) | |
| 2 | 112521320/0 | 2 | Washer | Rosetta | Rondelle | Scheibe | |
| 3 | 112154330/0 | 2 | Low Self-Locking Nut | Dado Autobloccante | Écrou auto-bloquant | Selbstsichernde Mutter | |
| 4 | 325031501/0 | 1 | Deflector | Deflettore | Deflecteur | Abweiser | |
| 8 | 133340035/0 | 1 | Lamellar Fusible 15A | Lamellar Fusibile 15A | Lamellar Fusible 15A | Lamellar Fusible 15A | |
| 8 | 133340036/0 | 1 | Fuse 25 A | Fusibile 25 A | Fusible 25 A | Sicherung 25 A | |
| 8 | 133340040/0 | 1 | Fuse 10 A | Fusibile 10 A | Fusible 10 A | Sicherung 10 A | |
| 9 | 133215000/0 | 2 | Cover | Coperchio Membrana | Couvercle Membrane | Deckel Membran | |
| 10 | 133500007/0 | 3 | Fuse Carrier | Portafusibile | Tableau De Fusible | Sicherungshalter | |
| 11 | 182040147/0 | 1 | Cables Ass.Y | Cablaggio | Ens. Cablages | Kabelsatz | |
| 11 | 182040148/0 | 1 | Cables Ass.Y | Cablaggio | Ens. Cablages | Kabelsatz | |
| 12 | 118450072/0 | 1 | Starting Switch | Interruttore Avviamento | Interrupteur Demarrage | Schalter | |
| 13 | 118550136/0 | 1 | Spacer | Distanziale | Entretoise | Distanzring | |
| 14 | 118550135/0 | 1 | Washer | Rosetta | Rondelle | Scheibe | |
| 15 | 118400862/0 | 1 | Ring Nut | Ghiera | Embout | Nutmutter | |
| 16 | 118210022/0 | 1 | Starting Key | Chiave Avviamento | Clef A Demarrage | Schlüssel Für Start | |
| 17 | 118120002/1 | 1 | Battery | Batteria | Batterie | Batterie | |
| 18 | 125430230/0 | 1 | Spring | Molla | Ressort | Feder | |
| 31 | 119410615/0 | 3 | Micro Switch | Micro Interruttore | Microinterrupteur | Mikroschalter | |
| 32 | 119410605/1 | 1 | Micro Switch | Micro Interruttore | Microinterrupteur | Mikroschalter | |
| 36 | 118450060/1 | 1 | Switch | Interruttore | Interrupteur | Schalter | |
| 38 | 118450068/0 | 1 | Power switch | Interruttore | Interrupteur | Schalter | |
| 41 | 182040073/0 | 1 | Lamp Holder | Portalampane | Douille De Lampe | Scheinwerferlampe | |
| 42 | 133500030/0 | 2 | Lamp Holder | Portalampane | Douille De Lampe | Scheinwerferlampe | |
| 43 | 118459100/0 | 2 | Lamp For Lights | Lamp For Lights | Lamp For Lights | Lamp For Lights | |
| 46 | 133500010/1 | 1 | Plate | Piastra | Plaque | Platte | |
| 47 | 112735170/0 | 1 | Screw | Vite | Vis | Schraube | |
| 51 | 133320506/0 | 5 | Fairlead | Fermacavo | Fixation Cable | Kabelbefestigung | |
| 52 | 133320504/0 | 1 | Fairlead | Fermacavo | Fixation Cable | Kabelbefestigung | |
| 54 | 118564864/1 | 1 | Protection | Protezione | Protection | Schutz | |
| 55 | 125290001/0 | 1 | Fuel Level Indicator | Indicatore Livello | Indicateur Niveau | Kraftstoffmesser | |



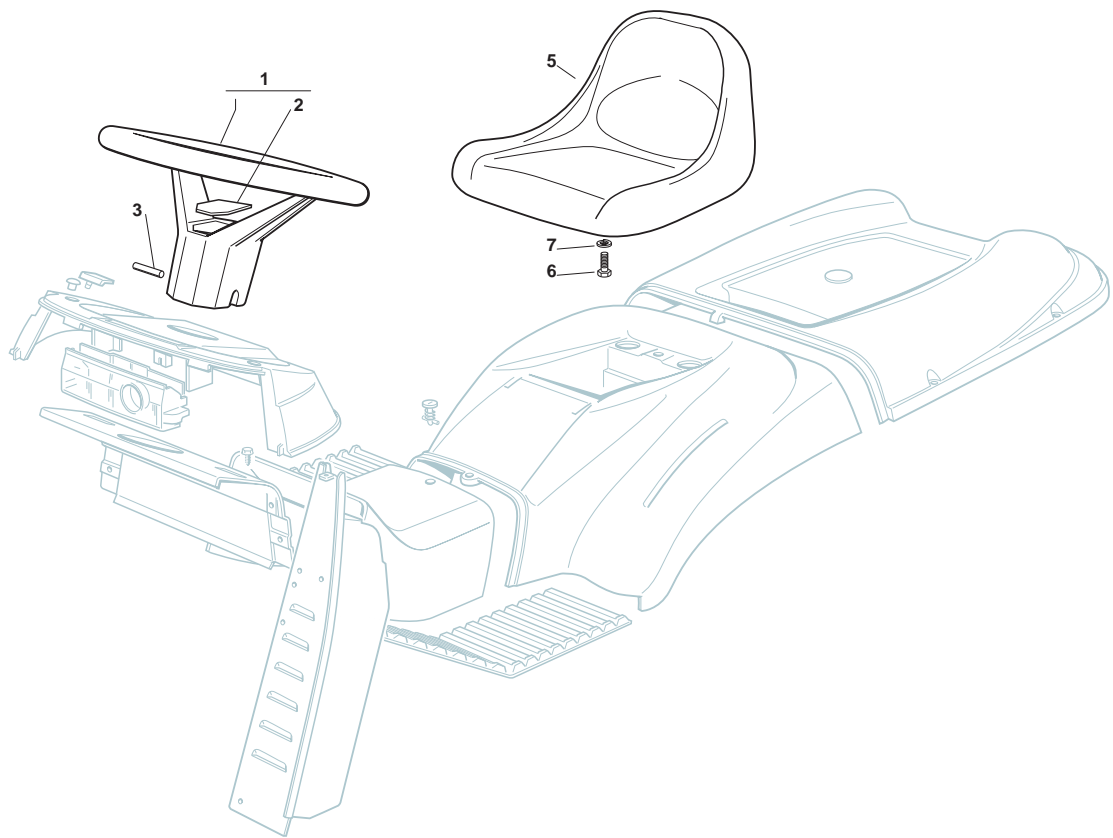
| Optionals On Request | | | | | | | |
|----------------------|-------------|------|---------------------------|-------------------------------|--------------------------------|-----------------------------|-------|
| POS | CODE | Q.TY | DESCRIPTION | DESCRIZIONE | DESCRIPTION | BESCHREIBUNG | NOTES |
| 2 | 382400003/1 | 1 | Ejection Guard | Ejection Guard | Ejection Guard | Ejection Guard | |
| 3 | 325869043/0 | 1 | Rear Support | Supporto Posteriore | Support Arriere | Rear Support | |
| 4 | 118566112/0 | 2 | Cap | Puntale | Bouchon | Gummistopfen | |
| 5 | 112689515/0 | 2 | Screw | Vite | Vis | Schraube | |
| 6 | 112154510/0 | 2 | Nut | Dado | Ecrou | Mutter | |
| 7 | 125510022/0 | 2 | Pin | Perno | Pivot | Bolzen | |
| 8 | 124487998/0 | 2 | Cotter Pin | Coppiglia | Goupille | Split | |
| 9 | 124487999/0 | 1 | Spring Pin | Coppiglia | Goupille | Split | |
| 22 | 125519997/1 | 1 | Front Weight Tc | Peso | Poids | Gewicht | |
| 23 | 112760520/0 | 3 | Screw | Vite | Vis | Schraube | |
| 24 | 112155000/0 | 3 | Nut | Dado | Ecrou | Mutter | |
| 42 | 382735502/0 | 1 | Bracket | Staffa | Etrier | Bride | |
| 43 | 325774213/0 | 1 | Bracket | Staffa | Etrier | Bride | |
| 44 | 382033105/1 | 1 | Rod | Asta | Tige | Stange | |
| 45 | 125510021/1 | 1 | Hitch Pin | Perno | Pivot | Bolzen | |
| 46 | 124487999/0 | 2 | Spring Pin | Coppiglia | Goupille | Split | |
| 51 | 182180050/0 | 1 | Battery Charger 0,6A | Carica Batteria 0,6A | Chargeur De Batterie 0,6A | Batterieladegerät 0,6A | |
| 51 | 182180052/0 | 1 | Battery Charger 0,6A (Uk) | Carica Batteria 0,6A (Uk) | Chargeur De Batterie 0,6A (Uk) | Batterieladegerät 0,6A (Uk) | |
| 72 | 325140097/0 | 1 | Deflector | Deflettore | Deflecteur | Abweiser | |
| 73 | 325394005/0 | 1 | Handle | Corrimano | Main-Courante | Handlauf | |
| 74 | 125510077/0 | 1 | Pin | Perno | Pivot | Bolzen | |
| 75 | 125430245/0 | 1 | Spring | Molla | Ressort | Feder | |
| 76 | 112735405/0 | 1 | Screw | Vite | Vis | Schraube | |
| 77 | 325280000/1 | 1 | Handgrip | Impugnatura | Poignée | Handgriff | |
| 78 | 125840011/1 | 1 | Tie Rod | Tirante | Tirant | Spannstange | |
| 79 | 125253004/0 | 2 | Mulch.Kit Fixing Hook | Gancio Fissaggio Kit Mulching | Crochet Fixage Kit Mulching | MulchingHaken | |



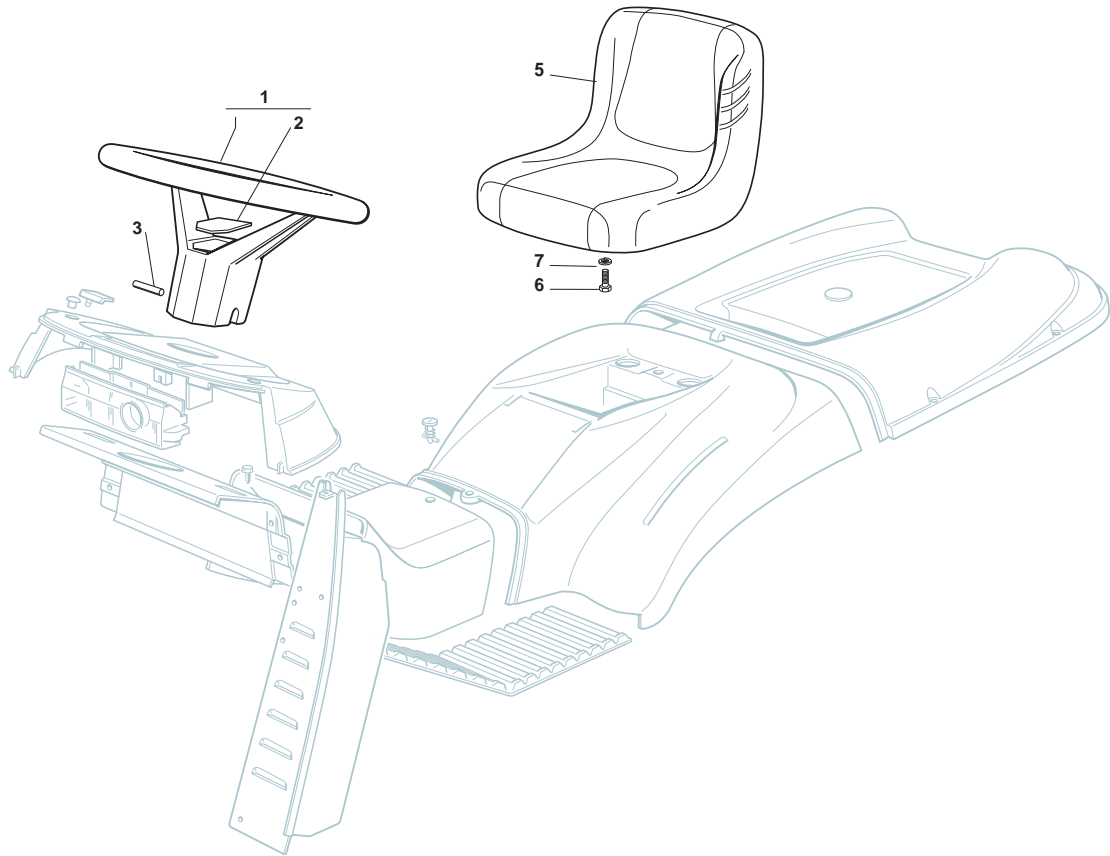
| Labels | | | | | | | |
|--------|-------------|------|-------------|-------------|-------------|--------------|--------------------------|
| POS | CODE | Q.TY | DESCRIPTION | DESCRIZIONE | DESCRIPTION | BESCHREIBUNG | NOTES |
| 1 | 114357428/1 | 1 | Label | Etichetta | Etiquette | Etikett | |
| 8 | 114357526/1 | 1 | Label | Etichetta | Etiquette | Etikett | |
| 10 | 114356699/1 | 2 | Label | Etichetta | Etiquette | Etikett | |
| 13 | 114357913/0 | 1 | Label | Etichetta | Etiquette | Etikett | |
| 15 | 114360717/0 | 1 | Label | Etichetta | Etiquette | Etikett | |
| 16 | 114360716/0 | 1 | Label | Etichetta | Etiquette | Etikett | |
| 17 | 114360719/0 | 1 | Label | Etichetta | Etiquette | Etikett | |
| 18 | 114360715/2 | 1 | Label | Etichetta | Etiquette | Etikett | |
| 20 | 114365612/0 | 1 | Label | Etichetta | Etiquette | Etikett | Only with Cruise Control |



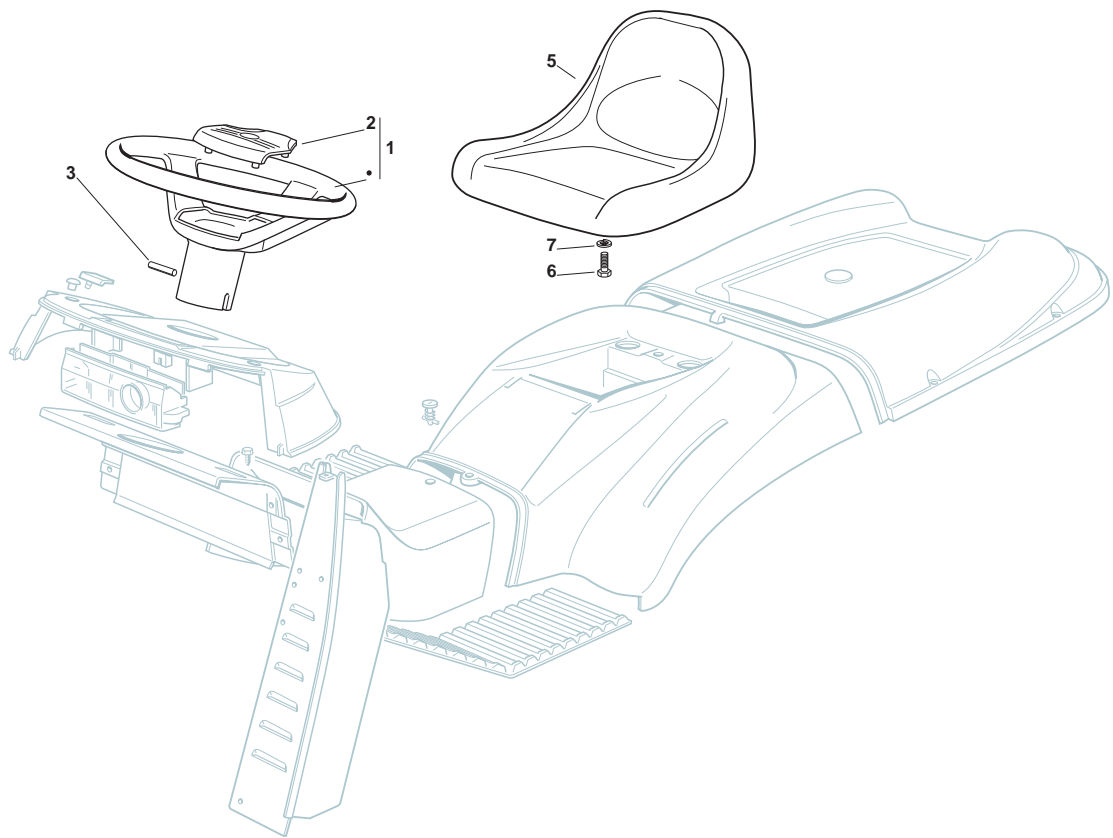
| Seat & Steering Wheel | | | | | | | |
|-----------------------|-------------|------|----------------|----------------|--------------------|-------------------|-------|
| POS | CODE | Q.TY | DESCRIPTION | DESCRIZIONE | DESCRIPTION | BESCHREIBUNG | NOTES |
| 1 | 125961213/0 | 1 | Steering Wheel | Volante | Volant | Lenkrad | |
| 2 | 325120231/0 | 1 | Cap | Tappo | Bouchon | Stopfen | |
| 3 | 112620299/0 | 1 | Elastic Pin | Spina Elastica | Goupille Élastique | Elastischer Stift | |
| 5 | 125722450/1 | 1 | Seat | Seat | Seat | Seat | |
| 6 | 112793102/0 | 4 | Screw | Vite | Vis | Schraube | |
| 7 | 112583500/0 | 4 | Grower | Grower | Grower | Federring | |



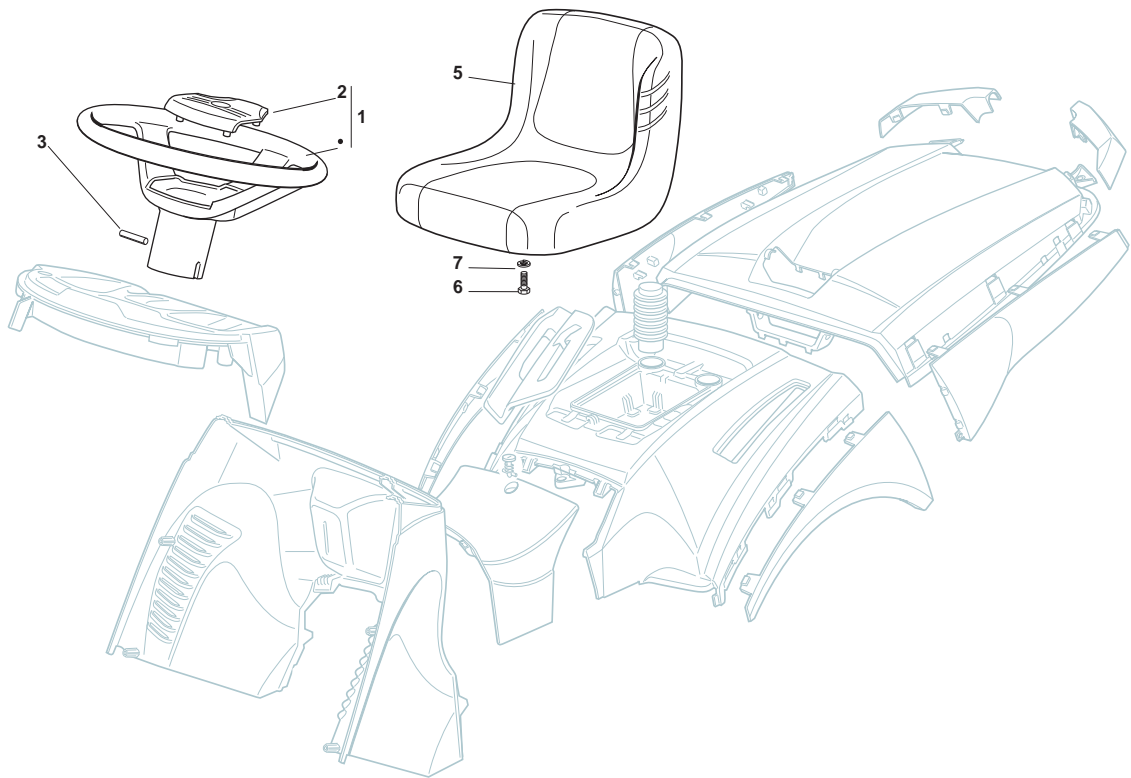
| Seat & Steering Wheel | | | | | | | |
|-----------------------|-------------|------|----------------|----------------|--------------------|-------------------|-------|
| POS | CODE | Q.TY | DESCRIPTION | DESCRIZIONE | DESCRIPTION | BESCHREIBUNG | NOTES |
| 1 | 125961213/0 | 1 | Steering Wheel | Volante | Volant | Lenkrad | |
| 2 | 325120231/0 | 1 | Cap | Tappo | Bouchon | Stopfen | |
| 3 | 112620299/0 | 1 | Elastic Pin | Spina Elastica | Goupille Élastique | Elastischer Stift | |
| 5 | 125722451/2 | 1 | Seat | Seat | Seat | Seat | |
| 6 | 112793102/0 | 4 | Screw | Vite | Vis | Schraube | |
| 7 | 112583500/0 | 4 | Grower | Grower | Grower | Federring | |



| Seat & Steering Wheel | | | | | | | |
|-----------------------|-------------|------|----------------|----------------|--------------------|-------------------|-------|
| POS | CODE | Q.TY | DESCRIPTION | DESCRIZIONE | DESCRIPTION | BESCHREIBUNG | NOTES |
| 1 | 125961213/0 | 1 | Steering Wheel | Volante | Volant | Lenkrad | |
| 2 | 325120231/0 | 1 | Cap | Tappo | Bouchon | Stopfen | |
| 3 | 112620299/0 | 1 | Elastic Pin | Spina Elastica | Goupille Élastique | Elastischer Stift | |
| 5 | 125722459/0 | 1 | Seat | Seat | Seat | Seat | |
| 6 | 112793102/0 | 4 | Screw | Vite | Vis | Schraube | |
| 7 | 112583500/0 | 4 | Grower | Grower | Grower | Federring | |

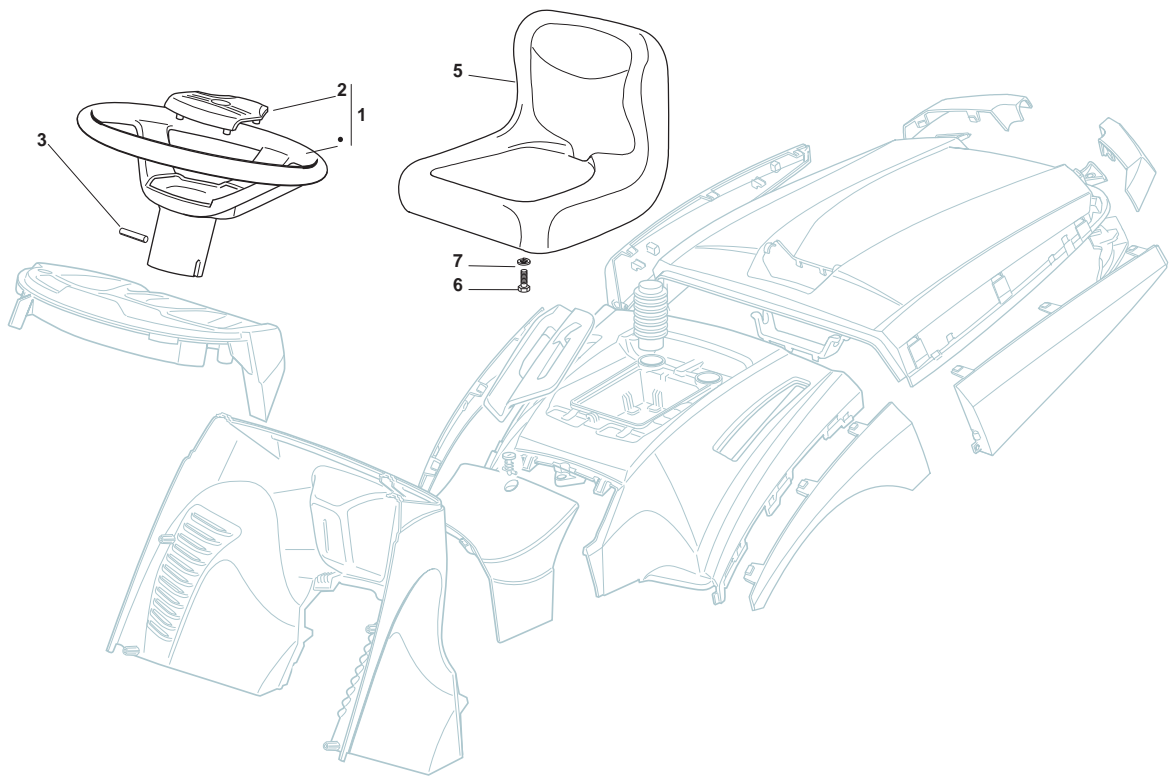


| Seat & Steering Wheel | | | | | | | |
|-----------------------|-------------|------|----------------|----------------|--------------------|-------------------|-------|
| POS | CODE | Q.TY | DESCRIPTION | DESCRIZIONE | DESCRIPTION | BESCHREIBUNG | NOTES |
| 1 | 125961214/1 | 1 | Steering Wheel | Volante | Volant | Lenkrad | Grey |
| 1 | 125961217/1 | 1 | Steering Wheel | Volante | Volant | Lenkrad | Black |
| 2 | 325580500/0 | 1 | Cap | Tappo | Bouchon | Stopfen | |
| 2 | 325580505/0 | 1 | Cap | Tappo | Bouchon | Stopfen | |
| 3 | 112620299/0 | 1 | Elastic Pin | Spina Elastica | Goupille Élastique | Elastischer Stift | |
| 5 | 125722451/2 | 1 | Seat | Seat | Seat | Seat | |
| 6 | 112793102/0 | 4 | Screw | Vite | Vis | Schraube | |
| 7 | 112583500/0 | 4 | Grower | Grower | Grower | Federring | |

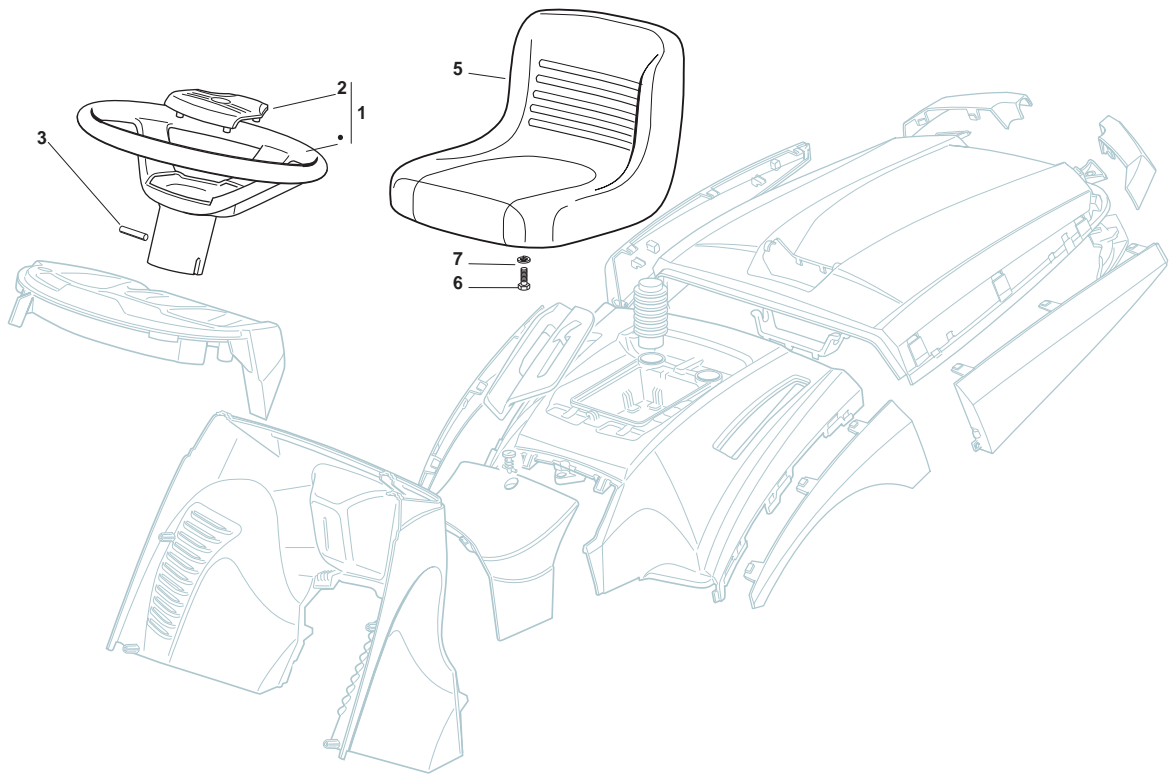


Seat & Steering Wheel

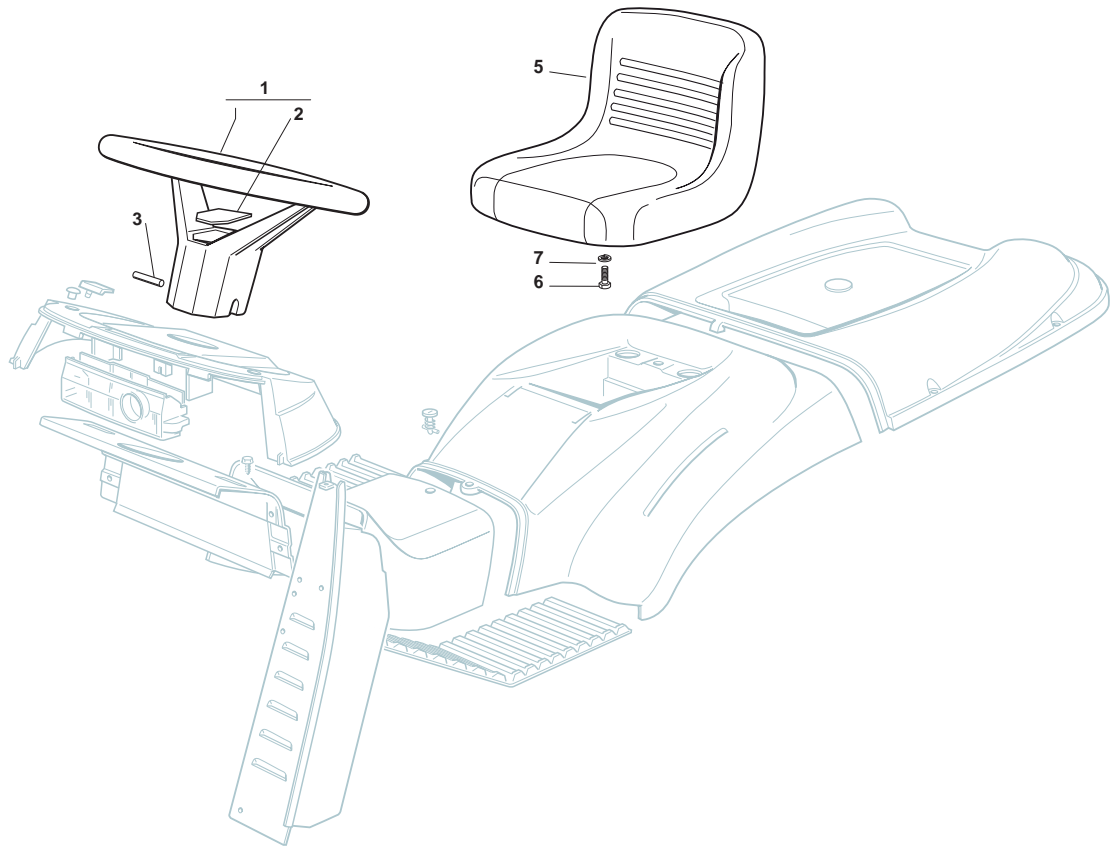
| POS | CODE | Q.TY | DESCRIPTION | DESCRIZIONE | DESCRIPTION | BESCHREIBUNG | NOTES |
|-----|-------------|------|----------------|----------------|--------------------|-------------------|-------|
| 1 | 125961214/1 | 1 | Steering Wheel | Volante | Volant | Lenkrad | Grey |
| 1 | 125961217/1 | 1 | Steering Wheel | Volante | Volant | Lenkrad | Black |
| 2 | 325580500/0 | 1 | Cap | Tappo | Bouchon | Stopfen | |
| 2 | 325580505/0 | 1 | Cap | Tappo | Bouchon | Stopfen | |
| 3 | 112620299/0 | 1 | Elastic Pin | Spina Elastica | Goupille Élastique | Elastischer Stift | |
| 5 | 125722459/0 | 1 | Seat | Seat | Seat | Seat | |
| 6 | 112793102/0 | 4 | Screw | Vite | Vis | Schraube | |
| 7 | 112583500/0 | 4 | Grower | Grower | Grower | Federring | |



| Seat & Steering Wheel | | | | | | | |
|-----------------------|-------------|------|----------------|----------------|--------------------|-------------------|-------|
| POS | CODE | Q.TY | DESCRIPTION | DESCRIZIONE | DESCRIPTION | BESCHREIBUNG | NOTES |
| 1 | 125961210/1 | 1 | Steering Wheel | Volante | Volant | Lenkrad | |
| 2 | 325580501/0 | 1 | Cap | Tappo | Bouchon | Stopfen | |
| 3 | 112620299/0 | 1 | Elastic Pin | Spina Elastica | Goupille Élastique | Elastischer Stift | |
| 5 | 125722457/0 | 1 | Seat | Sedile | Siege | Sitz | |
| 6 | 112793102/0 | 4 | Screw | Vite | Vis | Schraube | |
| 7 | 112583500/0 | 4 | Grower | Grower | Grower | Federring | |

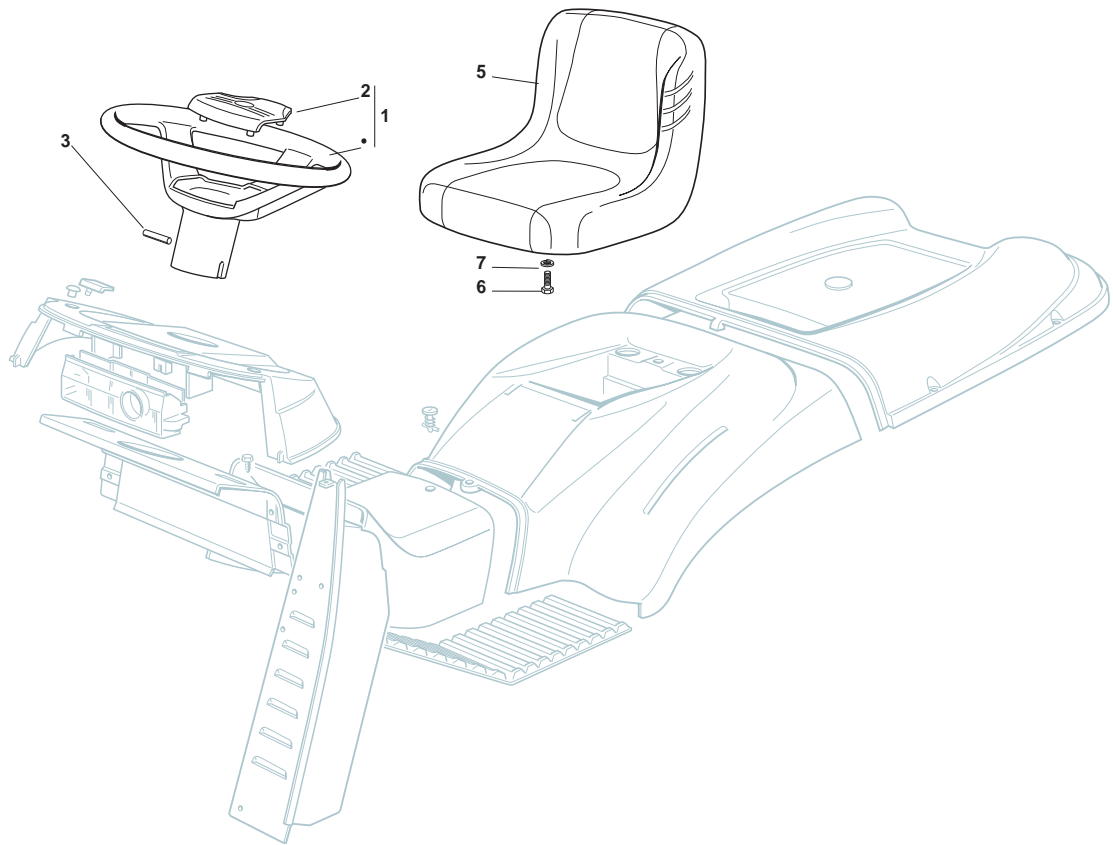


| Seat & Steering Wheel | | | | | | | |
|-----------------------|-------------|------|----------------|----------------|--------------------|-------------------|-------|
| POS | CODE | Q.TY | DESCRIPTION | DESCRIZIONE | DESCRIPTION | BESCHREIBUNG | NOTES |
| 1 | 125961217/1 | 1 | Steering Wheel | Volante | Volant | Lenkrad | |
| 2 | 325580505/0 | 1 | Cap | Tappo | Bouchon | Stopfen | |
| 3 | 112620299/0 | 1 | Elastic Pin | Spina Elastica | Goupille Élastique | Elastischer Stift | |
| 5 | 125722471/0 | 1 | Seat | Sedile | Siege | Sitz | |
| 6 | 112793102/0 | 4 | Screw | Vite | Vis | Schraube | |
| 7 | 112583500/0 | 4 | Grower | Grower | Grower | Federring | |



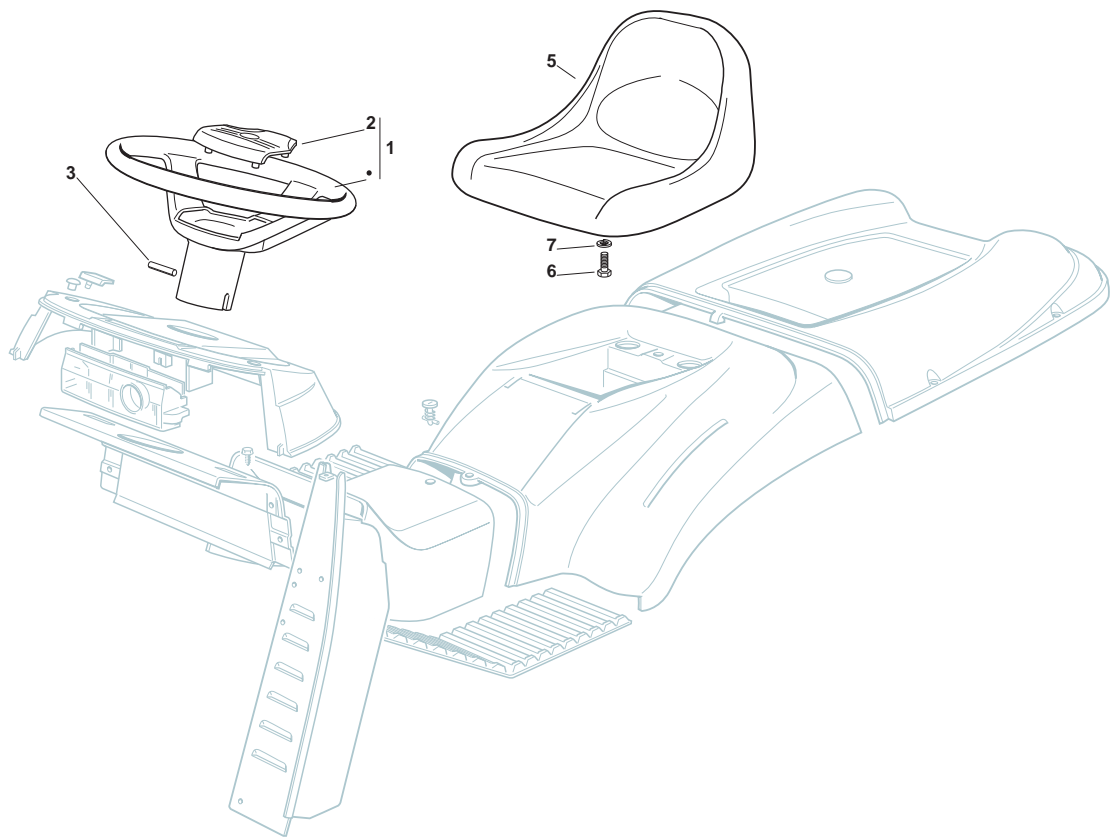
Seat & Steering Wheel

| POS | CODE | Q.TY | DESCRIPTION | DESCRIZIONE | DESCRIPTION | BESCHREIBUNG | NOTES |
|-----|-------------|------|----------------|----------------|--------------------|-------------------|-------|
| 1 | 125961213/0 | 1 | Steering Wheel | Volante | Volant | Lenkrad | |
| 2 | 325120231/0 | 1 | Cap | Tappo | Bouchon | Stopfen | |
| 3 | 112620299/0 | 1 | Elastic Pin | Spina Elastica | Goupille Élastique | Elastischer Stift | |
| 5 | 125722467/1 | 1 | Seat | Sedile | Siege | Sitz | |
| 6 | 112793102/0 | 4 | Screw | Vite | Vis | Schraube | |
| 7 | 112583500/0 | 4 | Grower | Grower | Grower | Federring | |



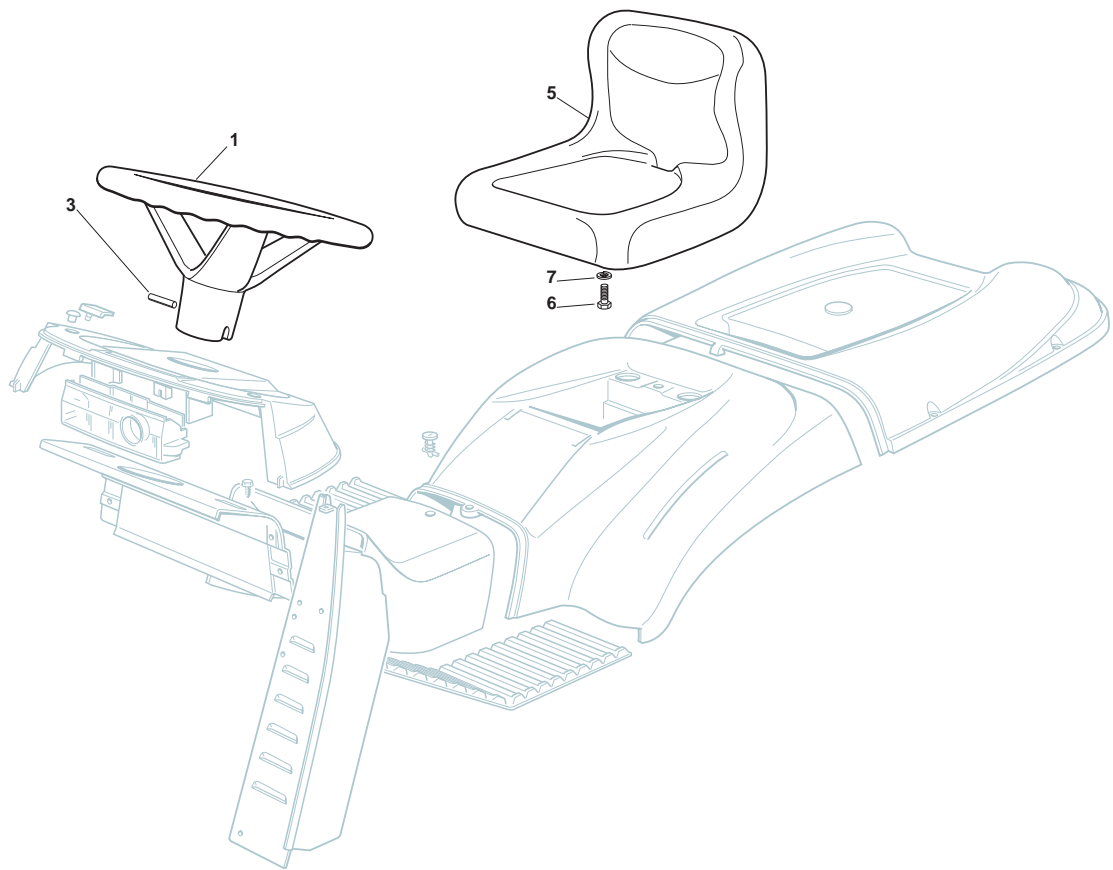
Seat & Steering Wheel

| POS | CODE | Q.TY | DESCRIPTION | DESCRIZIONE | DESCRIPTION | BESCHREIBUNG | NOTES |
|-----|-------------|------|----------------|----------------|--------------------|-------------------|-------|
| 1 | 125961217/1 | 1 | Steering Wheel | Volante | Volant | Lenkrad | |
| 2 | 325580505/0 | 1 | Cap | Tappo | Bouchon | Stopfen | |
| 3 | 112620299/0 | 1 | Elastic Pin | Spina Elastica | Goupille Élastique | Elastischer Stift | |
| 5 | 125722459/0 | 1 | Seat | Sedile | Siege | Sitz | |
| 6 | 112793102/0 | 4 | Screw | Vite | Vis | Schraube | |
| 7 | 112583500/0 | 4 | Grower | Grower | Grower | Federring | |



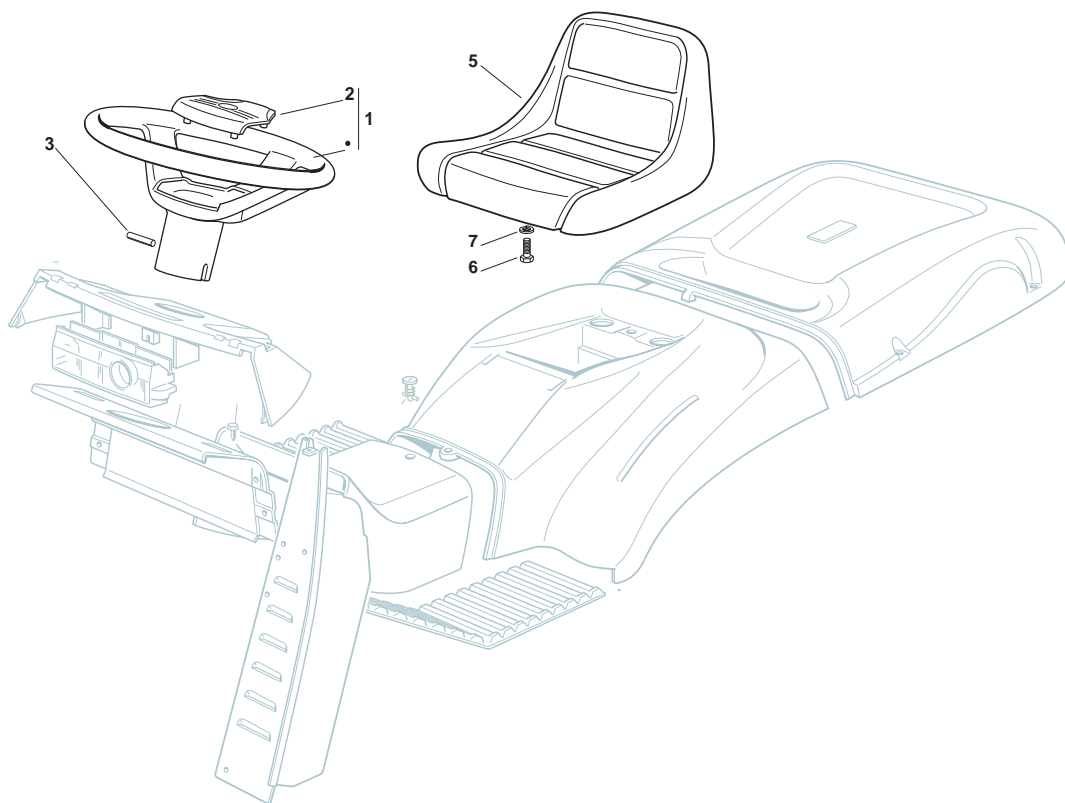
Seat & Steering Wheel

| POS | CODE | Q.TY | DESCRIPTION | DESCRIZIONE | DESCRIPTION | BESCHREIBUNG | NOTES |
|-----|-------------|------|----------------|----------------|--------------------|-------------------|-------|
| 1 | 125961217/1 | 1 | Steering Wheel | Volante | Volant | Lenkrad | |
| 2 | 325580505/0 | 1 | Cap | Tappo | Bouchon | Stopfen | |
| 3 | 112620299/0 | 1 | Elastic Pin | Spina Elastica | Goupille Élastique | Elastischer Stift | |
| 5 | 125722451/2 | 1 | Seat | Sedile | Siege | Sitz | |
| 6 | 112793102/0 | 4 | Screw | Vite | Vis | Schraube | |
| 7 | 112583500/0 | 4 | Grower | Grower | Grower | Federring | |



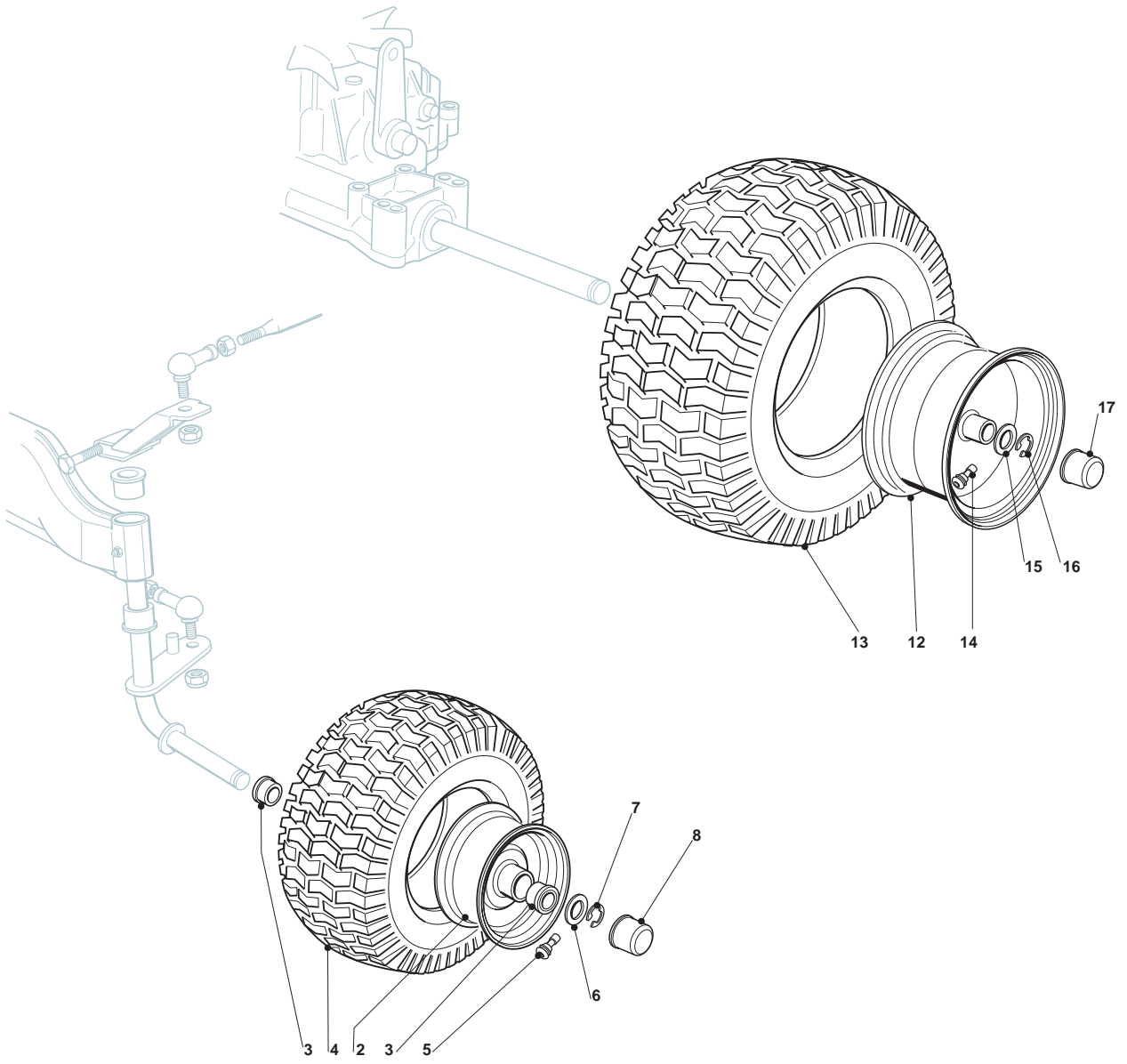
Seat & Steering Wheel

| POS | CODE | Q.TY | DESCRIPTION | DESCRIZIONE | DESCRIPTION | BESCHREIBUNG | NOTES |
|-----|-------------|------|----------------|----------------|--------------------|-------------------|-------|
| 1 | 125961206/0 | 1 | Steering Wheel | Volante | Volant | Lenkrad | |
| 3 | 112620299/0 | 1 | Elastic Pin | Spina Elastica | Goupille Élastique | Elastischer Stift | |
| 5 | 125722457/0 | 1 | Seat | Sedile | Siege | Sitz | |
| 6 | 112793102/0 | 4 | Screw | Vite | Vis | Schraube | |
| 7 | 112583500/0 | 4 | Grower | Grower | Grower | Federring | |

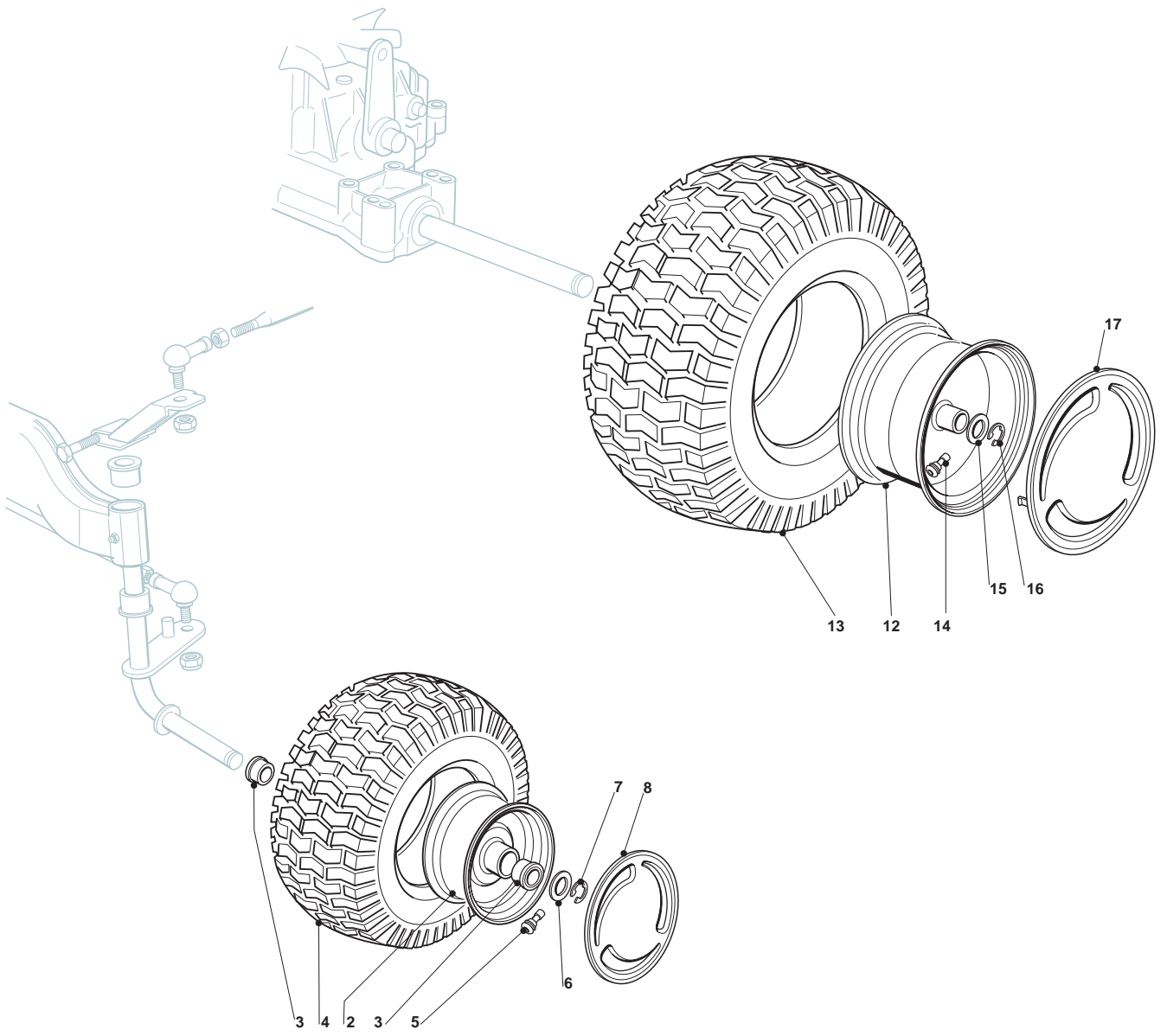


Seat & Steering Wheel

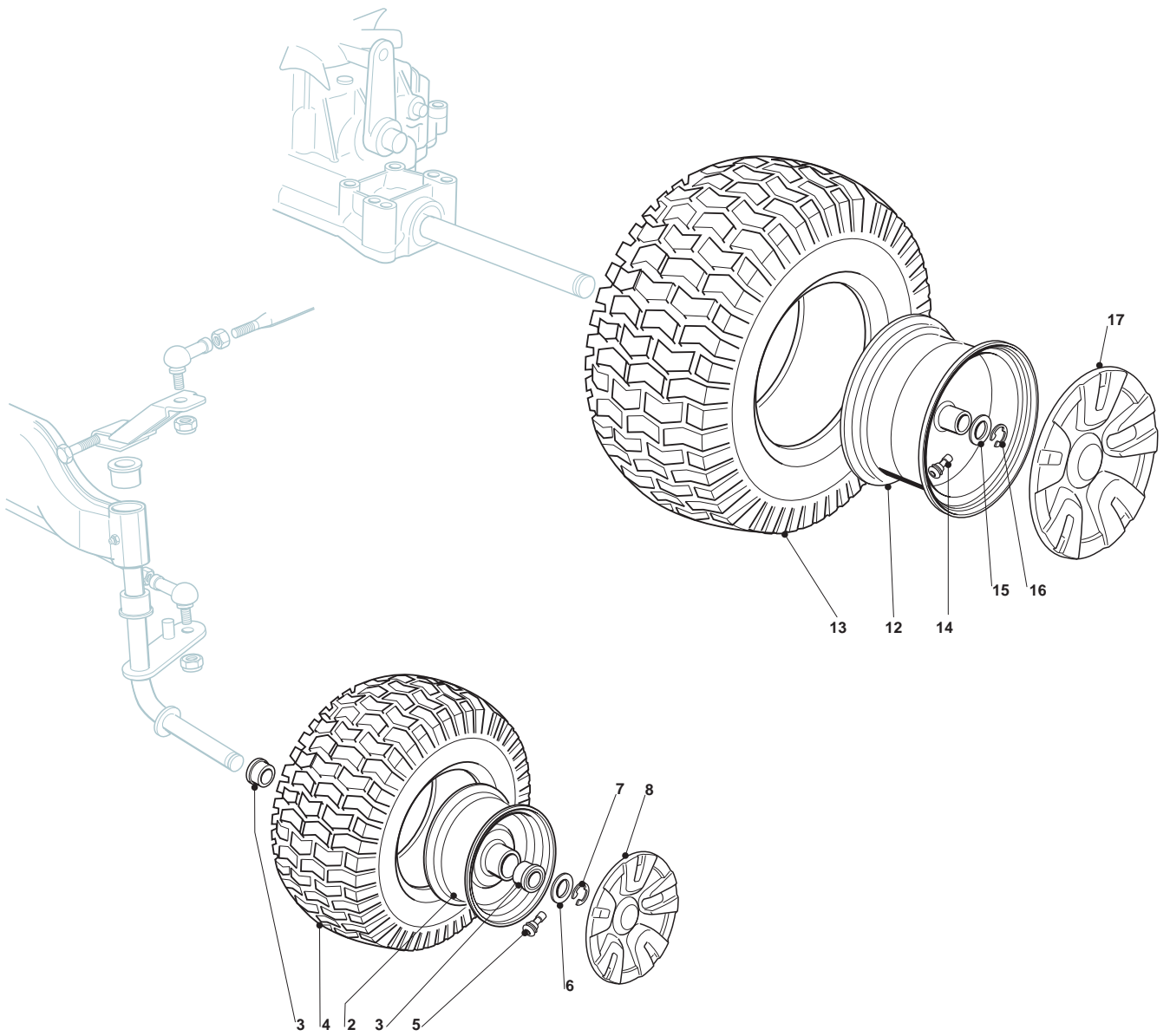
| POS | CODE | Q.TY | DESCRIPTION | DESCRIZIONE | DESCRIPTION | BESCHREIBUNG | NOTES |
|-----|-------------|------|----------------|----------------|--------------------|-------------------|-------|
| 1 | 125961214/1 | 1 | Steering Wheel | Volante | Volant | Lenkrad | |
| 2 | 325580500/0 | 1 | Cap | Tappo | Bouchon | Stopfen | |
| 3 | 112620299/0 | 1 | Elastic Pin | Spina Elastica | Goupille Élastique | Elastischer Stift | |
| 5 | 125722450/1 | 1 | Seat | Sedile | Siege | Sitz | |
| 6 | 112793102/0 | 4 | Screw | Vite | Vis | Schraube | |
| 7 | 112583500/0 | 4 | Grower | Grower | Grower | Federring | |



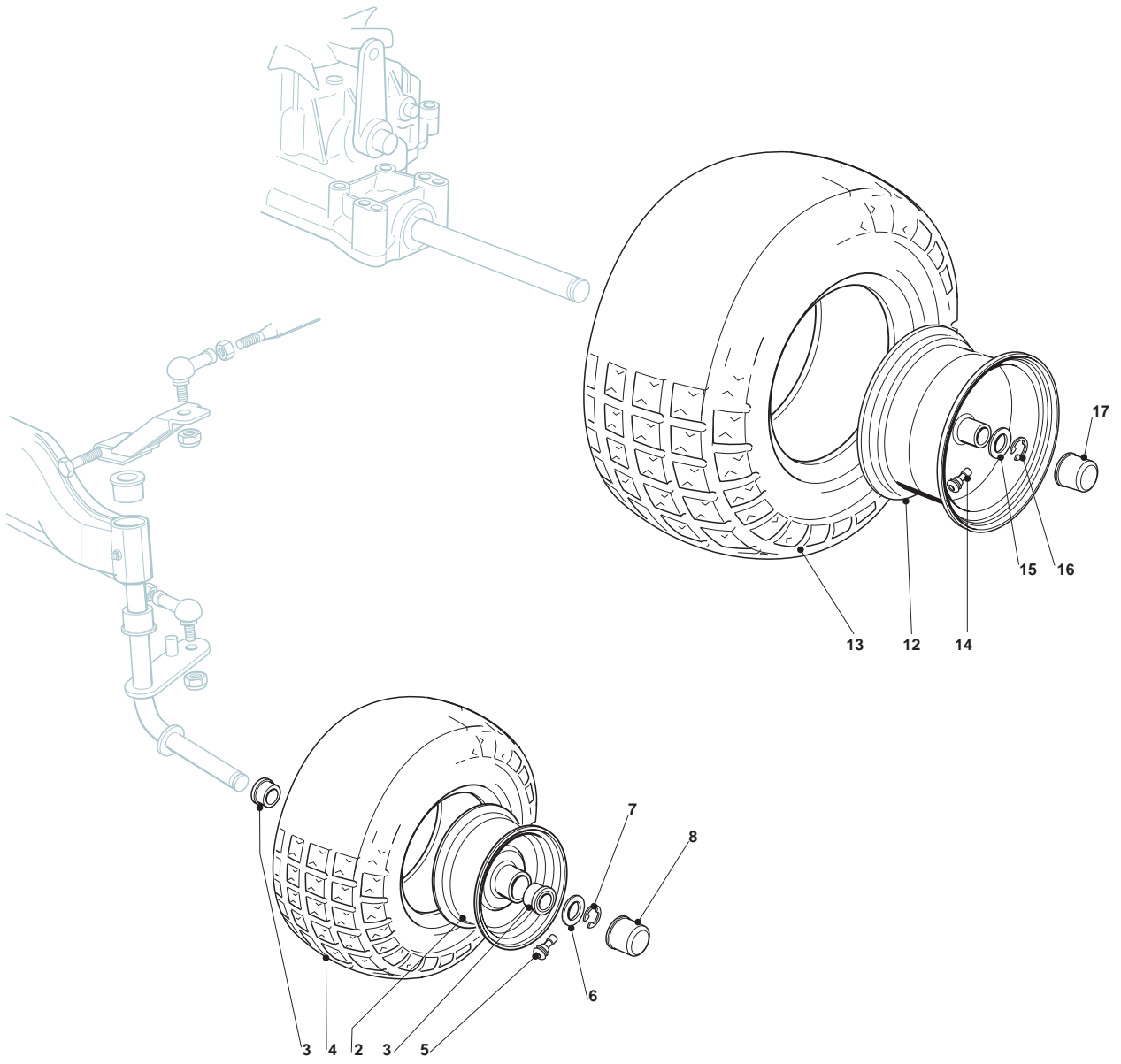
| Wheels | | | | | | | |
|--------|-------------|------|--------------|----------------|----------------|------------------|-------|
| POS | CODE | Q.TY | DESCRIPTION | DESCRIZIONE | DESCRIPTION | BESCHREIBUNG | NOTES |
| 2 | 182000598/0 | 2 | Rimm | Cerchio Ruota | Bandage Roue | Vorderrad Felger | |
| 3 | 125122200/2 | 4 | Bearing | Cuscinetto | Roul. À Billes | Kugellager | |
| 4 | 125590014/0 | 2 | Tyre | Pneumatico | Pneu | Reifen | 13" |
| 4 | 125590019/0 | 2 | Tyre | Pneumatico | Pneu | Reifen | 15" |
| 5 | 125950000/0 | 2 | Valve | Valvola | Vanne | Ventil | |
| 6 | 125670005/1 | 2 | Washer | Rosetta | Rondelle | Scheibe | |
| 7 | 112001000/0 | 2 | Benzing Ring | Anello Benzing | Anneau Benzing | Ring Benzing | |
| 8 | 122110230/0 | 2 | Hub Cover | Hub Cover | Hub Cover | Hub Cover | |
| 12 | 182000599/0 | 2 | Rimm | Cerchio Ruota | Bandage Roue | Vorderrad Felger | |
| 13 | 125590015/0 | 2 | Tyre | Pneumatico | Pneu | Reifen | |
| 14 | 125950000/0 | 2 | Valve | Valvola | Vanne | Ventil | |
| 15 | 125670005/1 | 2 | Washer | Rosetta | Rondelle | Scheibe | |
| 16 | 112001010/0 | 2 | Benzing Ring | Anello Benzing | Anneau Benzing | Ring Benzing | |
| 17 | 122110230/0 | 2 | Hub Cover | Coprismozzo | Couvre Moyeu | Nabendeckel | |



| Wheels | | | | | | | |
|--------|-------------|------|-------------------|----------------------------|--------------------------|-------------------|-------|
| POS | CODE | Q.TY | DESCRIPTION | DESCRIZIONE | DESCRIPTION | BESCHREIBUNG | NOTES |
| 2 | 182000598/0 | 2 | Rimm | Cerchio Ruota | Bandage Roue | Vorderrad Felger | |
| 3 | 125122200/2 | 4 | Bearing | Cuscinetto | Roul. À Billes | Kugellager | |
| 4 | 125590014/0 | 2 | Tyre | Pneumatico | Pneu | Reifen | 13" |
| 4 | 125590019/0 | 2 | Tyre | Pneumatico | Pneu | Reifen | 15" |
| 5 | 125950000/0 | 2 | Valve | Valvola | Vanne | Ventil | |
| 6 | 125670005/1 | 2 | Washer | Rosetta | Rondelle | Scheibe | |
| 7 | 112001000/0 | 2 | Benzing Ring | Anello Benzing | Anneau Benzing | Ring Benzing | |
| 8 | 382110252/0 | 2 | Front Wheel Cover | Copridisco Ruota Anteriore | Couvre Disque Roue Avant | Front Wheel Cover | |
| 12 | 182000599/0 | 2 | Rimm | Cerchio Ruota | Bandage Roue | Vorderrad Felger | |
| 13 | 125590015/0 | 2 | Tyre | Pneumatico | Pneu | Reifen | |
| 14 | 125950000/0 | 2 | Valve | Valvola | Vanne | Ventil | |
| 15 | 125670005/1 | 2 | Washer | Rosetta | Rondelle | Scheibe | |
| 16 | 112001010/0 | 2 | Benzing Ring | Anello Benzing | Anneau Benzing | Ring Benzing | |
| 17 | 382110253/0 | 2 | Hub Cover | Coprimozzo | Couvre Moyeu | Nabendeckel | |



| Wheels | | | | | | | |
|--------|-------------|------|-----------------|-----------------------|-------------------|------------------|-------|
| POS | CODE | Q.TY | DESCRIPTION | DESCRIZIONE | DESCRIPTION | BESCHREIBUNG | NOTES |
| 2 | 182000598/0 | 2 | Rimm | Cerchio Ruota | Bandage Roue | Vorderrad Felger | |
| 3 | 125122200/2 | 4 | Bearing | Cuscinetto | Roul. À Billes | Kugellager | |
| 4 | 125590014/0 | 2 | Tyre | Pneumatico | Pneu | Reifen | 13" |
| 4 | 125590019/0 | 2 | Tyre | Pneumatico | Pneu | Reifen | 15" |
| 5 | 125950000/0 | 2 | Valve | Valvola | Vanne | Ventil | |
| 6 | 125670005/1 | 2 | Washer | Rosetta | Rondelle | Scheibe | |
| 7 | 112001000/0 | 2 | Benzing Ring | Anello Benzing | Anneau Benzing | Ring Benzing | |
| 8 | 382110274/0 | 2 | Hub Cover | Coprizzo | Couvre Moyeu | Nabendeckel | |
| 12 | 182000599/0 | 2 | Rimm | Cerchio Ruota | Bandage Roue | Vorderrad Felger | |
| 13 | 125590015/0 | 2 | Tyre | Pneumatico | Pneu | Reifen | |
| 14 | 125950000/0 | 2 | Valve | Valvola | Vanne | Ventil | |
| 15 | 125670005/1 | 2 | Washer | Rosetta | Rondelle | Scheibe | |
| 16 | 112001010/0 | 2 | Benzing Ring | Anello Benzing | Anneau Benzing | Ring Benzing | |
| 17 | 382110275/0 | 2 | Rear Wheel Deck | Copriruota Posteriore | Couvre Roue Post. | Hinterraddeckel | |



| Wheels | | | | | | | |
|--------|-------------|------|-----------------|--------------------------|----------------------|------------------|-------|
| POS | CODE | Q.TY | DESCRIPTION | DESCRIZIONE | DESCRIPTION | BESCHREIBUNG | NOTES |
| 2 | 182000590/1 | 2 | Rimm | Cerchio Ruota | Bandage Roue | Vorderrad Felger | |
| 3 | 125122200/2 | 4 | Bearing | Cuscinetto | Roul. À Billes | Kugellager | |
| 4 | 125590020/0 | 2 | Tyre | Pneumatico | Pneu | Reifen | |
| 5 | 125950000/0 | 2 | Valve | Valvola | Vanne | Ventil | |
| 6 | 125670005/1 | 2 | Washer | Rosetta | Rondelle | Scheibe | |
| 7 | 112001000/0 | 2 | Benzing Ring | Anello Benzing | Anneau Benzing | Ring Benzing | |
| 8 | 122110230/0 | 2 | Hub Cover | Hub Cover | Hub Cover | Hub Cover | |
| 12 | 182000592/0 | 2 | Rear Wheel Rimm | Cerchio Ruota Posteriore | Bandage Roue Arriere | Hinterrad Felger | |
| 13 | 125590022/0 | 2 | Tyre | Pneumatico | Pneu | Reifen | |
| 14 | 125950000/0 | 2 | Valve | Valvola | Vanne | Ventil | |
| 15 | 125670005/1 | 2 | Washer | Rosetta | Rondelle | Scheibe | |
| 16 | 112001010/0 | 2 | Benzing Ring | Anello Benzing | Anneau Benzing | Ring Benzing | |
| 17 | 122110230/0 | 2 | Hub Cover | Coprizzo | Couvre Moyeu | Nabendeckel | |