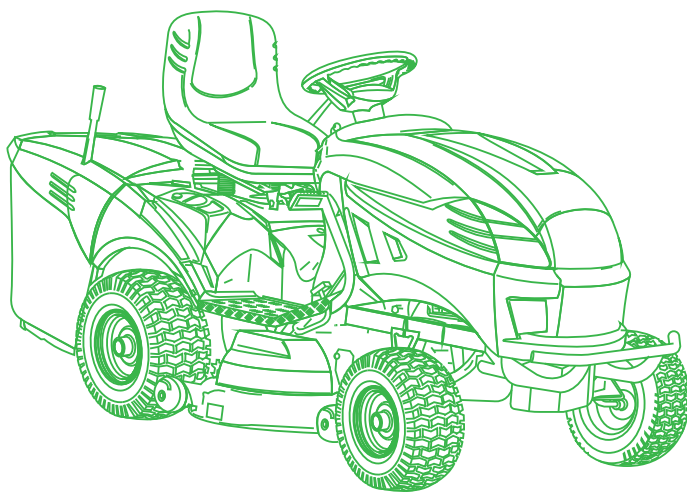


ILLUSTRATED PARTS LIST

TH4S 102 Hydro



- Use GLOBAL GARDEN PRODUCT Genuine Spare Parts specified in the parts list for repair and/or replacement.
- The contents described in the parts list may change due to improvement.
- The drawings of the spare parts are only indicative and might not represent the part in question exactly.
- The indications "right" - "left" - "front" - "rear" refer to the position of the operator when using the machine.
- When placing orders of parts for repair and/or replacement, make sure that the illustrated parts list is the one applying to the machine's year of manufacture, as shown on the identification plate attached to the machine.

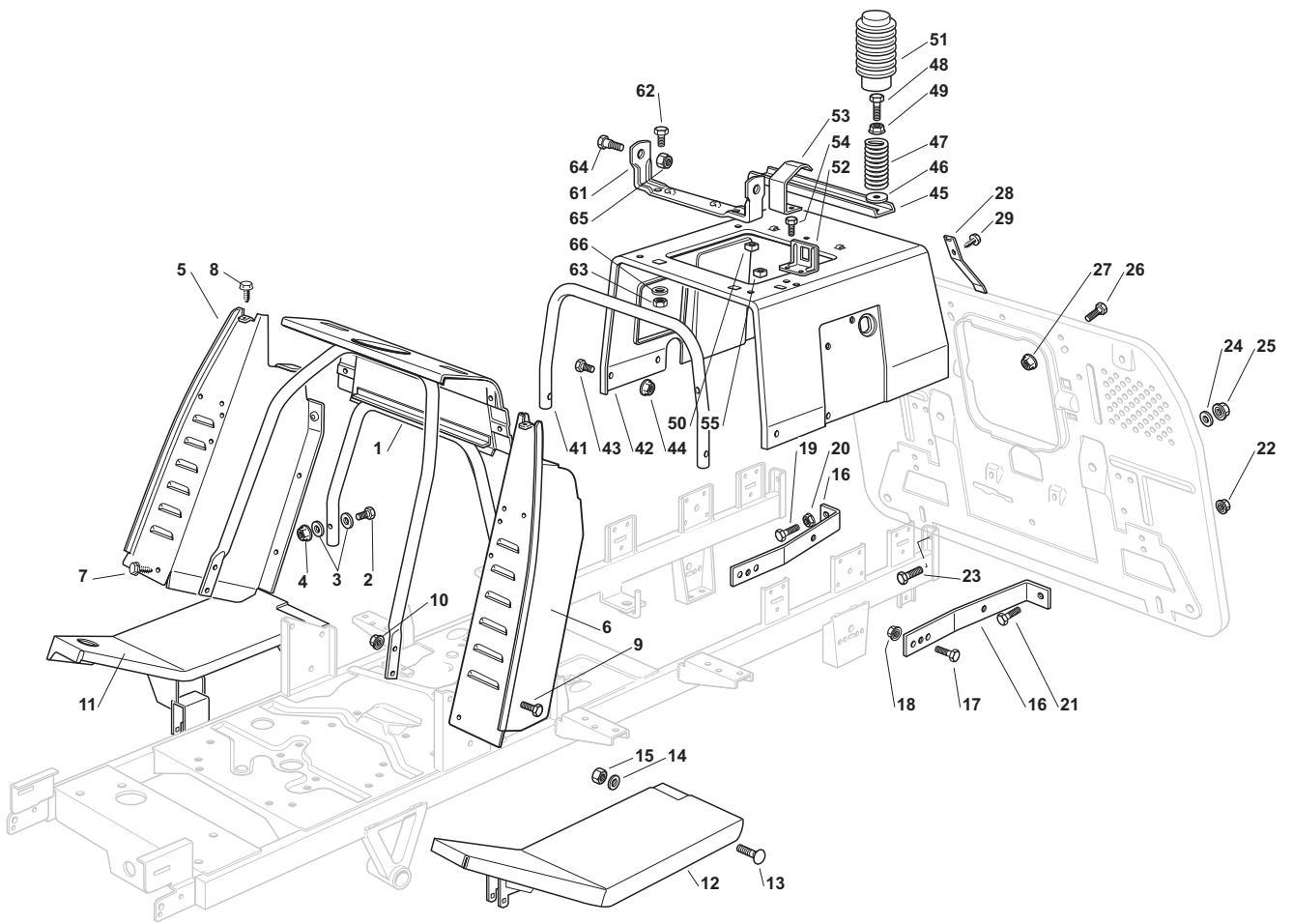
© Copyright 2012 Global Garden Products

All content is subject to copyright by Global Garden Products and may not be reproduced in whole or in part by any means, electronic or otherwise, without prior written approval.

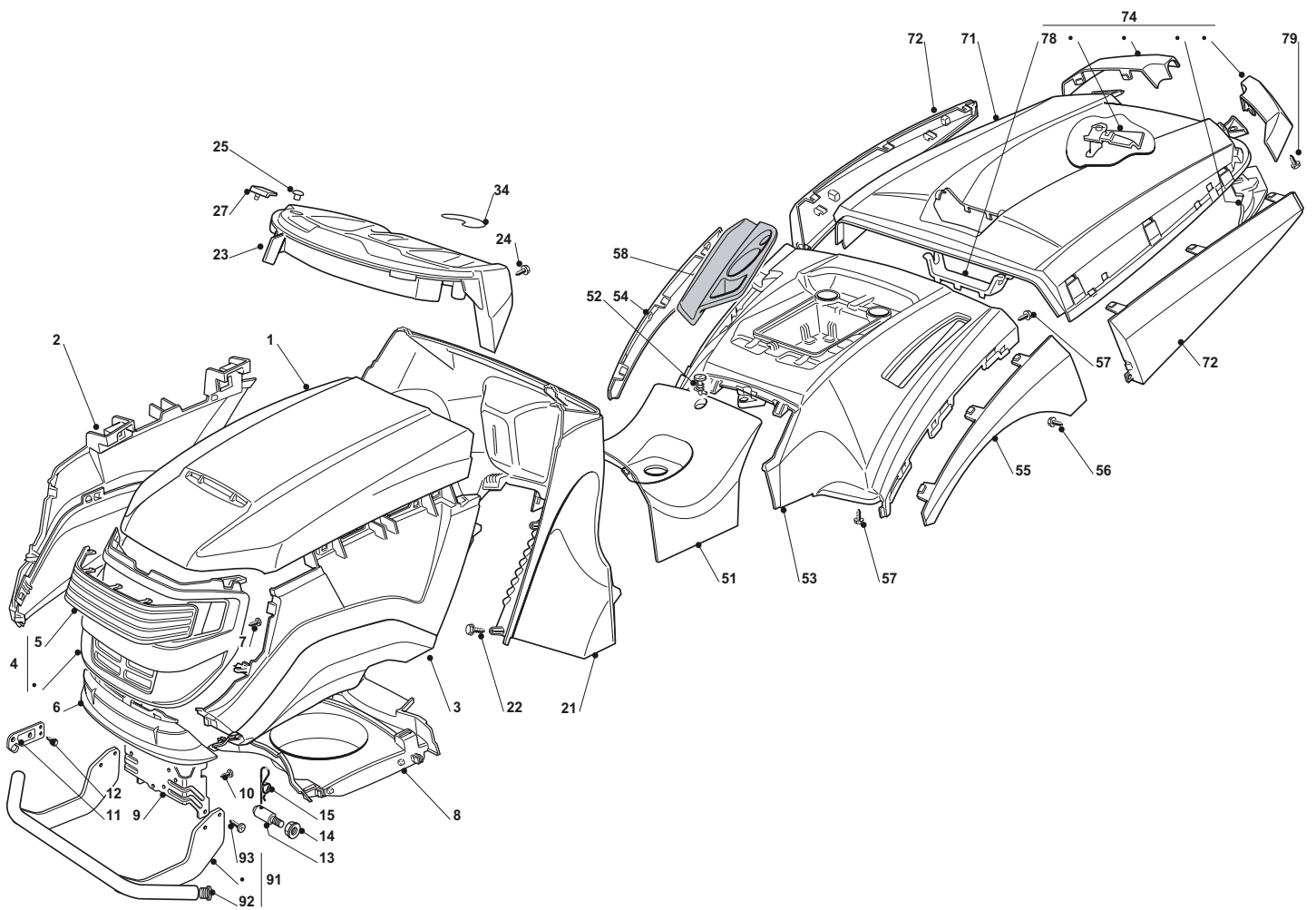
THIS INFORMATION IS NOT INTENDED FOR SALE OR RESALE, AND THIS NOTICE MUST REMAIN ON ALL COPIES.



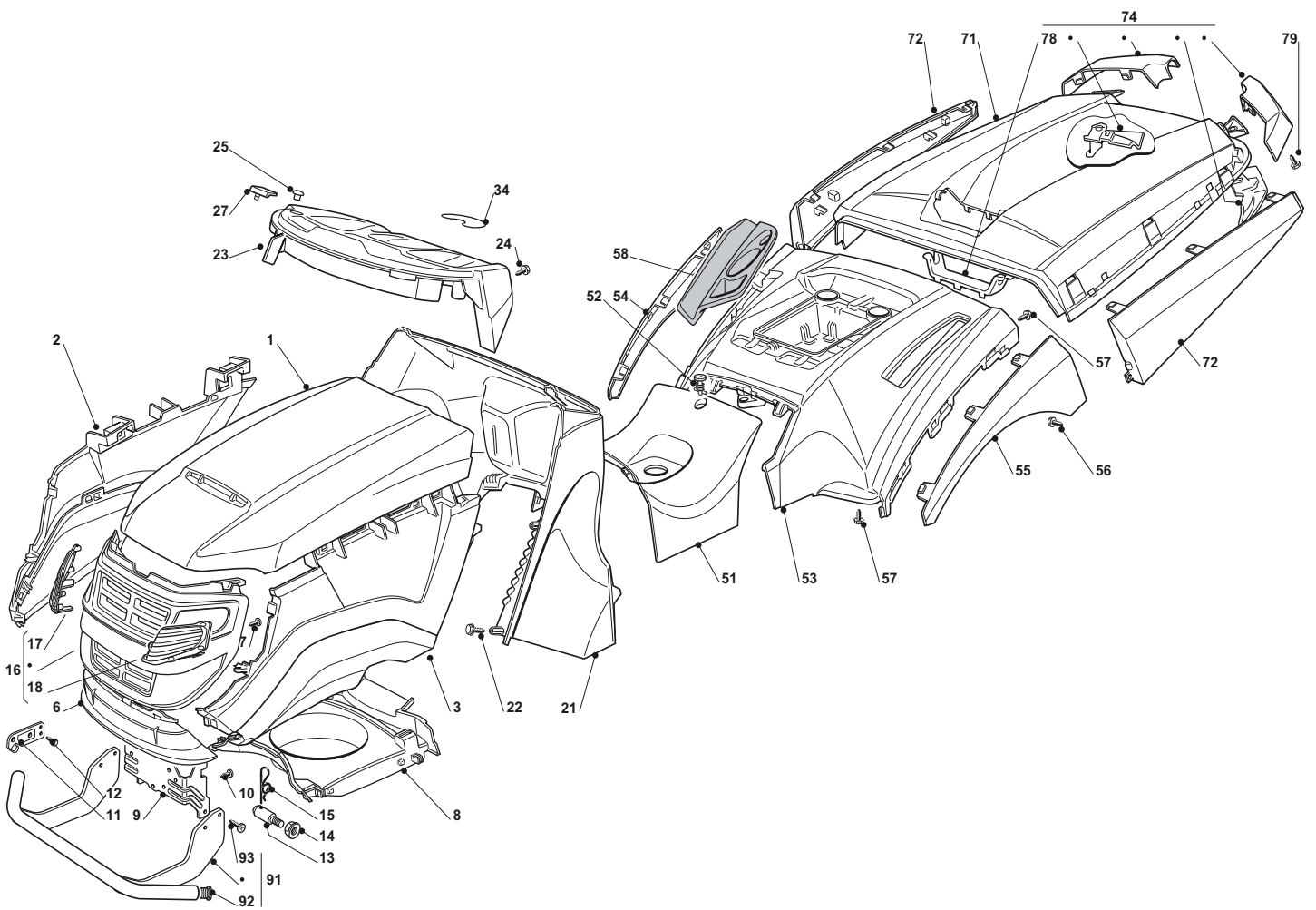
GLOBAL GARDEN PRODUCTS



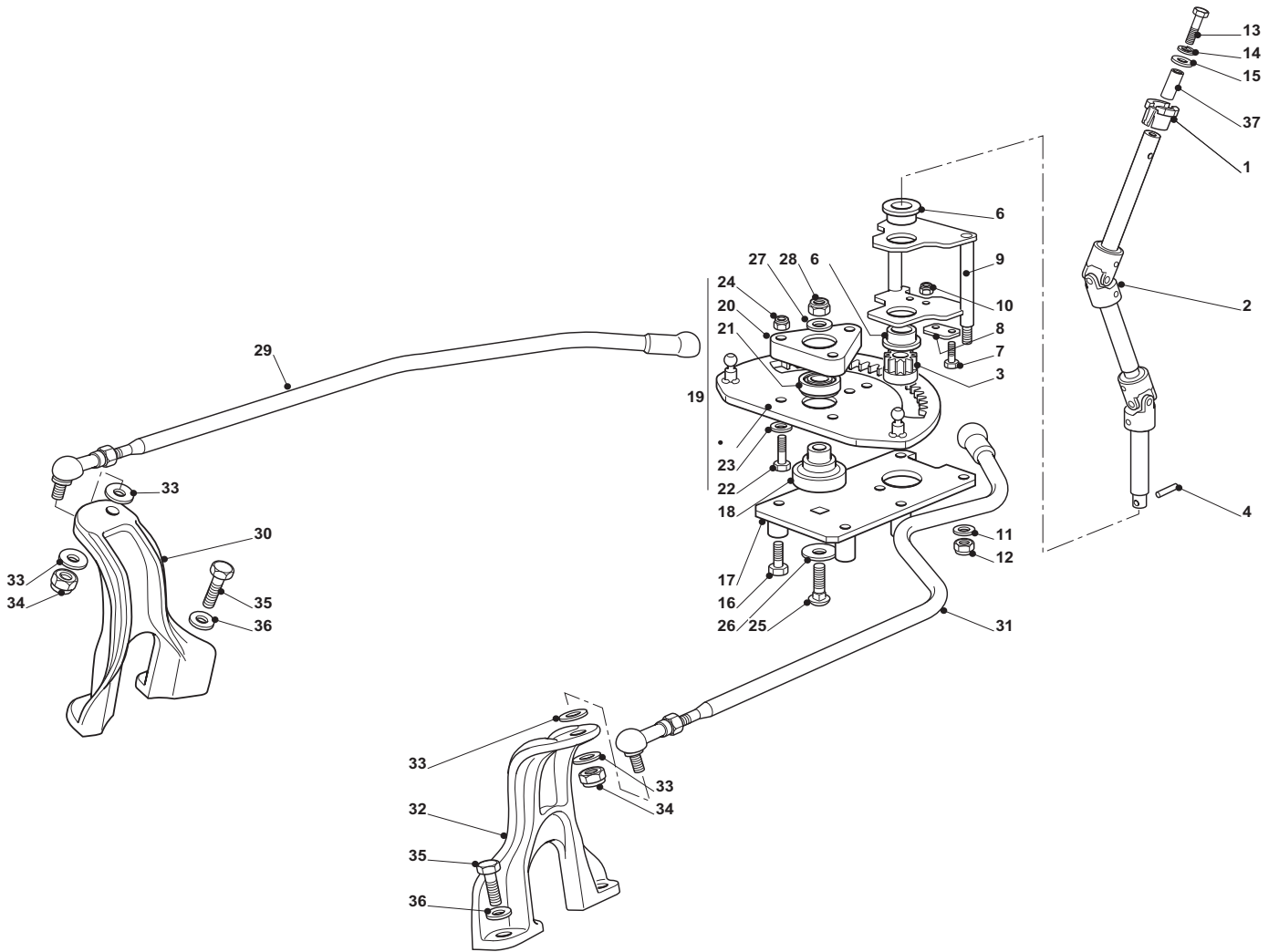
| Chassis | | | | | | | |
|---------|-------------|------|------------------------|-----------------------|------------------------|-----------------------|-------|
| POS | CODE | Q.TY | DESCRIZIONE | DESCRIPTION | DESCRIPTION | BESCHREIBUNG | NOTES |
| 1 | 382785247/0 | 1 | Rinforzo | Stiffening | Renforcement | Verstaerkung | |
| 2 | 12674550/0 | 2 | Vite | Screw | Vis | Schraube | |
| 3 | 12523040/0 | 4 | Rosetta | Washer | Rondelle | Scheibe | |
| 4 | 12292102/0 | 2 | Dado | Nut | Ecrou | Mutter | |
| 5 | 382785022/9 | 1 | Supp. Cruscotto Destro | Right Dashboard Supp. | Support Tableau Droite | Rechter Konsolehalter | |
| 6 | 382785021/8 | 1 | Supp. Cruscotto Sin. | Left Dashboard Supp. | Support Tableau Gauche | Linker Konsolehalter | |
| 7 | 12735110/0 | 2 | Vite | Screw | Vis | Schraube | |
| 8 | 12735110/0 | 2 | Vite | Screw | Vis | Schraube | |
| 9 | 12791400/0 | 6 | Vite | Screw | Vis | Schraube | |
| 10 | 12292102/0 | 6 | Dado | Nut | Ecrou | Mutter | |
| 11 | 325500046/0 | 1 | Pedana Destra | Right Footboard | Marchepied Droite | Rechte Fussbrett | |
| 12 | 325500047/0 | 1 | Pedana Sinistra | Left Footboard | Marchepied Gauche | Linke Fussbrett | |
| 13 | 112728689/0 | 4 | Vite | Screw | Vis | Schraube | |
| 14 | 12523040/0 | 4 | Rosetta | Washer | Rondelle | Scheibe | |
| 15 | 112523030/0 | 4 | Dado | Nut | Ecrou | Mutter | |
| 16 | 25774273/1 | 2 | Rinforzo | Stiffening | Renforcement | Verstaerkung | |
| 17 | 12793102/0 | 2 | Vite | Screw | Vis | Schraube | |
| 18 | 12293201/0 | 2 | Dado | Nut | Ecrou | Mutter | |
| 19 | 12691100/0 | 1 | Vite | Screw | Vis | Schraube | |
| 20 | 12293200/0 | 1 | Dado | Nut | Ecrou | Mutter | |
| 21 | 12792611/0 | 1 | Vite | Screw | Vis | Schraube | |
| 22 | 12293201/0 | 2 | Dado | Nut | Ecrou | Mutter | |
| 23 | 112794300/0 | 2 | Vite | Screw | Vis | Schraube | |
| 24 | 12521360/0 | 2 | Rondella | Washer | Rondelle | Scheibe | |
| 25 | 12156602/0 | 2 | Dado | Nut | Ecrou | Mutter | |
| 26 | 12791011/0 | 5 | Vite | Screw | Vis | Schraube | |
| 27 | 12292102/0 | 5 | Dado | Nut | Ecrou | Mutter | |
| 28 | 25430238/0 | 1 | Molla | Spring | Ressort | Feder | |
| 29 | 12731580/0 | 1 | Vite | Screw | Vis | Schraube | |
| 41 | 325869085/0 | 1 | Rinforzo | Stiffening | Renforcement | Verstaerkung | |
| 42 | 325785133/4 | 1 | Supporto Sedile | Seat Support | Support Siege | Sitzhalter | |
| 43 | 12791011/0 | 8 | Vite | Screw | Vis | Schraube | |
| 44 | 12292102/0 | 8 | Dado | Nut | Ecrou | Mutter | |
| 45 | 25650067/0 | 1 | Rinforzo | Stiffening | Renforcement | Verstaerkung | |
| 46 | 12523070/0 | 2 | Rondella | Washer | Rondelle | Scheibe | |
| 47 | 25430205/1 | 2 | Molla | Spring | Ressort | Feder | |
| 48 | 25943001/0 | 2 | Vite | Screw | Vis | Schraube | |
| 49 | 12293201/0 | 2 | Dado | Nut | Ecrou | Mutter | |
| 50 | 12360420/0 | 2 | Dado | Nut | Ecrou | Mutter | |
| 51 | 25737002/0 | 2 | Cuffia | Hood | Protecteur | Schutzkasten | |
| 52 | 325755025/2 | 1 | Squadretta | Bracket | Equerre-Support | Winkel | |
| 53 | 25430255/0 | 1 | Molla | Spring | Ressort | Feder | |
| 54 | 112735110/1 | 2 | Vite | Screw | Vis | Schraube | |
| 55 | 12437502/0 | 2 | Piastrina | Plate | Plaque | Platte | |
| 61 | 82774207/0 | 1 | Staffa Supp. Sedile | Seat Clamp Support | Etrier Support Siege | Bride F. Sitzhalter | |
| 62 | 12691115/0 | 2 | Vite | Screw | Vis | Schraube | |
| 63 | 12293201/0 | 2 | Dado | Nut | Ecrou | Mutter | |
| 64 | 22524970/2 | 2 | Perno | Pin | Pivot | Bolzen | |
| 65 | 12155010/0 | 2 | Dado | Nut | Ecrou | Mutter | |
| 66 | 12523070/0 | 2 | Rondella | Washer | Rondelle | Scheibe | |



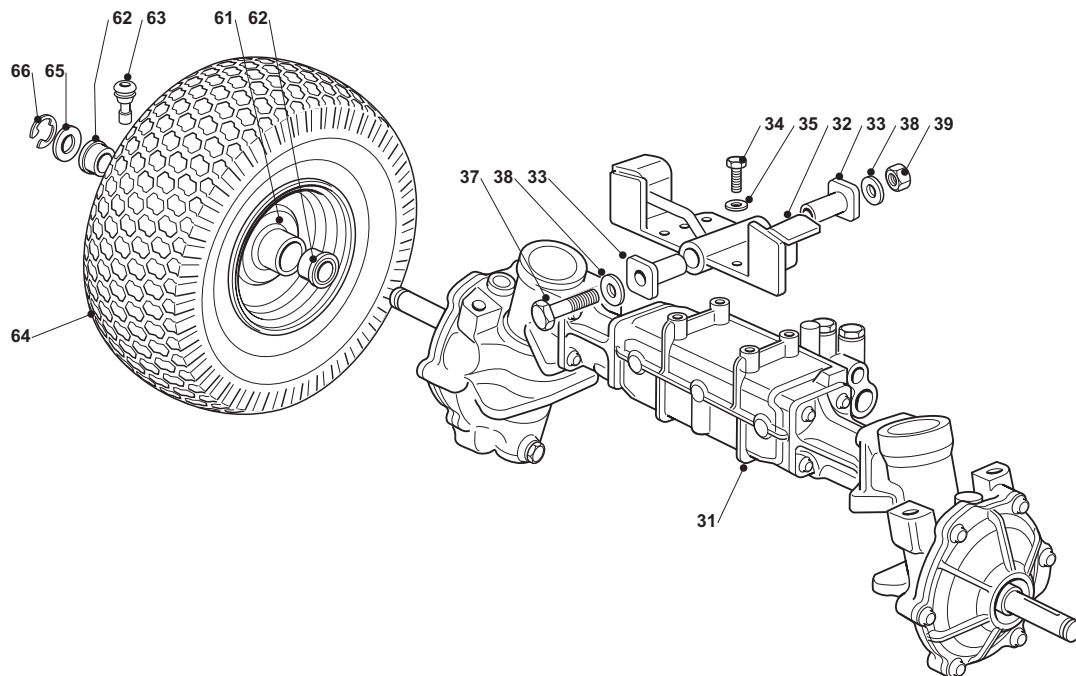
| Body | | | | | | | |
|------|-------------|------|-----------------------------------|-----------------------------------|---|-----------------------------------|-------|
| POS | CODE | Q.TY | DESCRIZIONE | DESCRIPTION | DESCRIPTION | BESCHREIBUNG | NOTES |
| 1 | 25076871/0 | 1 | Cofano Superiore Rosso | Upper Engine Hood, Red | Capot Rouge | Haubesatz Rot | |
| 2 | 382394620/0 | 1 | Cofano Dx | Hood, Right | Capot Droite | Rechte Haube | |
| 3 | 382394621/0 | 1 | Cofano Sx | Hood, Left | Capot Gauche | Linke Haube | |
| 4 | 82394618/0 | 1 | Cofano Frontale - Grigio | Hood, Front | Capot Avant | Vorde Haube | |
| 5 | 25410878/0 | 1 | Mascherina | Grill | Panneau | Schutz | |
| 6 | 25076877/0 | 1 | Cofano Frontale Inferiore - Rosso | Lower Hood, Front | Capot Avant | Vorde Haube | |
| 7 | 12735403/0 | 6 | Vite | Screw | Vis | Schraube | |
| 8 | 25108031/0 | 1 | Convogliatore | Conveyor | Convoyeur | Konveyor | |
| 9 | 25774301/1 | 1 | Supporto Cofano | Engine Hood Support | Support Capot | Haubehalter | |
| 10 | 12735403/0 | 5 | Vite | Screw | Vis | Schraube | |
| 11 | 325547159/1 | 2 | Piastrina | Plate | Plaque | Platte | |
| 12 | 12731580/0 | 4 | Vite | Screw | Vis | Schraube | |
| 13 | 125510079/1 | 2 | Perno | Pin | Pivot | Augenabscheider | |
| 14 | 12293201/0 | 2 | Dado | Nut | Ecrou | Mutter | |
| 15 | 24487998/0 | 1 | Coppiglia | Cotter Pin | Goupille | Splint | |
| 21 | 25785228/1 | 1 | Supporto Cruscotto | Dashboard Support | Support Tableau | Konsolehalter | |
| 22 | 12735403/0 | 7 | Vite | Screw | Vis | Schraube | |
| 23 | 325120213/0 | 1 | Cruscotto, Nero (Cruise Control) | Dashboard, Black (Cruise Control) | Tableau De Bord, Noir (Cruise Control) | Konsole, Schwarz (Cruise Control) | |
| 23 | 325120211/0 | 1 | Cruscotto, Rosso (Cruise Control) | Dashboard, Red (Cruise Control) | Tableau De Bord, Rouge (Cruise Control) | Konsole, Rot (Cruise Control) | |
| 24 | 12728440/0 | 4 | Vite | Screw | Vis | Schraube | |
| 25 | 25120200/0 | 2 | Tappo | Plug | Bouchon | Propfen | |
| 27 | 25260000/0 | 2 | Gommino | Grommet | Protection | Schutz | |
| 34 | 325207185/0 | 1 | Coperchio | Cover | Couvercle | Deckel | |
| 51 | 325110386/0 | 1 | Copertura Centrale | Cover | Couvre | Kappe | |
| 52 | 125580020/2 | 1 | Perno | Pivot | Goujon | Stift | |
| 53 | 25109744/0 | 1 | Copertura Ruote | Wheels Cover | Couvre-Roues | Radenkappe | |
| 54 | 25109753/0 | 1 | Copriruota Destro | Right Wheel Cover | Couvre-Roue Dro. | Rechte Radkappe | |
| 55 | 25109752/0 | 1 | Copriruota Sinistro | Left Wheel Cover | Couvre-Roue Gau. | Linke Radkappe | |
| 56 | 12728686/0 | 2 | Vite | Screw | Vis | Schraube | |
| 57 | 12735402/0 | 4 | Vite | Screw | Vis | Schraube | |
| 58 | 325207184/0 | 1 | Copertura | Cover | Couvre | Kappe | |
| 71 | 25110302/0 | 1 | Copertura Sacco | Grass-Catcher Cover | Couvre-Bac | Sackkappe | |
| 72 | 382110255/0 | 1 | Coperture Lateral | Cover Assy | Couvre Ens. | Kappe | |
| 74 | 382110259/0 | 1 | Assieme Angolari | Angles Assy | Corniere Ens. | Winkelprofil | |
| 78 | 25394009/0 | 1 | Copertura Maniglia | Handle Cover | Couvre-Poignee | Griffkappe | |
| 79 | 12735403/0 | 4 | Vite | Screw | Vis | Schraube | |
| 91 | 382869039/0 | 1 | Protezione Silenziatore | Muffler Protection | Protection Silencieux | Auspuffschutz | |
| 92 | 18737860/0 | 2 | Puntale | Cap | Bouchon | Pfropfen | |
| 93 | 12734995/0 | 4 | Vite | Screw | Vis | Schraube | |



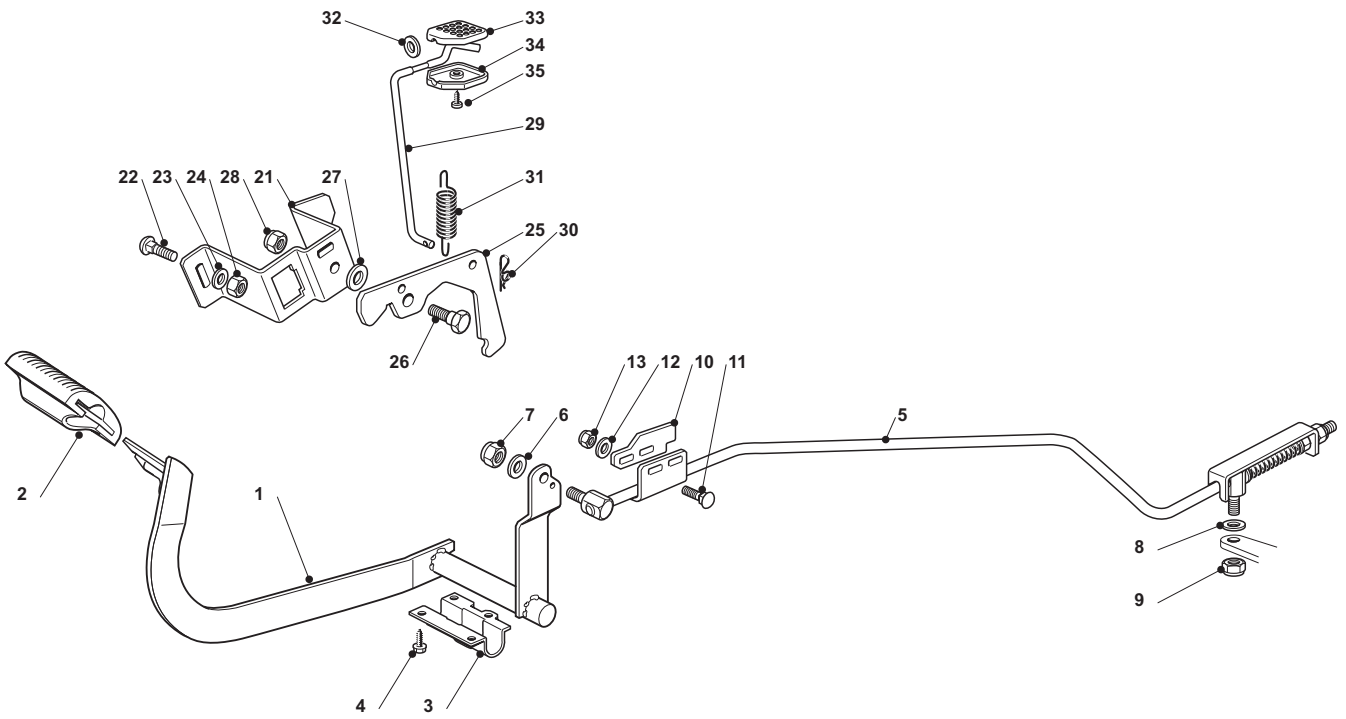
| Body | | | | | | | |
|------|-------------|------|-----------------------------------|-----------------------------------|---|-----------------------------------|-------|
| POS | CODE | Q.TY | DESCRIZIONE | DESCRIPTION | DESCRIPTION | BESCHREIBUNG | NOTES |
| 1 | 25076871/0 | 1 | Cofano Superiore Rosso | Upper Engine Hood, Red | Capot Rouge | Haubesatz Rot | |
| 2 | 382394620/0 | 1 | Cofano Dx | Hood, Right | Capot Droite | Rechte Haube | |
| 3 | 382394621/0 | 1 | Cofano Sx | Hood, Left | Capot Gauche | Linke Haube | |
| 6 | 25076877/0 | 1 | Cofano Frontale Inferiore - Rosso | Lower Hood, Front | Capot Avant | Vorde Haube | |
| 7 | 12735403/0 | 6 | Vite | Screw | Vis | Schraube | |
| 8 | 25108031/0 | 1 | Convogliatore | Conveyor | Convoyeur | Konveyor | |
| 9 | 25774301/1 | 1 | Supporto Cofano | Engine Hood Support | Support Capot | Haubehalter | |
| 10 | 12735403/0 | 5 | Vite | Screw | Vis | Schraube | |
| 11 | 325547159/1 | 2 | Piastrina | Plate | Plaque | Platte | |
| 12 | 12731580/0 | 4 | Vite | Screw | Vis | Schraube | |
| 13 | 125510079/1 | 2 | Perno | Pin | Pivot | Augenabscheider | |
| 14 | 12293201/0 | 2 | Dado | Nut | Ecrou | Mutter | |
| 15 | 24487998/0 | 1 | Coppiglia | Cotter Pin | Goupille | Splint | |
| 16 | 382394628/0 | 1 | Cofano Frontale | Hood, Front | Capot Avant | Vorde Haube | |
| 17 | 325410881/0 | 1 | Mascherina Destra | Right Grill | Panneau Droite | Rechte Schutz | |
| 18 | 325410882/0 | 1 | Mascherina Sinistra | Left Grill | Panneau Gauche | Linke Schutz | |
| 21 | 25785228/1 | 1 | Supporto Cruscotto | Dashboard Support | Support Tableau | Konsolehalter | |
| 22 | 12735403/0 | 7 | Vite | Screw | Vis | Schraube | |
| 23 | 325120213/0 | 1 | Cruscotto, Nero (Cruise Control) | Dashboard, Black (Cruise Control) | Tableau De Bord, Noir (Cruise Control) | Konsole, Schwarz (Cruise Control) | |
| 23 | 325120211/0 | 1 | Cruscotto, Rosso (Cruise Control) | Dashboard, Red (Cruise Control) | Tableau De Bord, Rouge (Cruise Control) | Konsole, Rot (Cruise Control) | |
| 24 | 12728440/0 | 4 | Vite | Screw | Vis | Schraube | |
| 25 | 25120200/0 | 2 | Tappo | Plug | Bouchon | Propfen | |
| 27 | 25260000/0 | 2 | Gommino | Grommet | Protection | Schutz | |
| 34 | 325207185/0 | 1 | Coperchio | Cover | Couvercle | Deckel | |
| 51 | 325110386/0 | 1 | Copertura Centrale | Cover | Couvre | Kappe | |
| 52 | 125580020/2 | 1 | Perno | Pivot | Goujon | Stift | |
| 53 | 25109744/0 | 1 | Copertura Ruote | Wheels Cover | Couvre-Roues | Radenkappe | |
| 54 | 25109753/0 | 1 | Copri ruota Destro | Right Wheel Cover | Couvre-Roue Dro. | Rechte Radkappe | |
| 55 | 25109752/0 | 1 | Copri ruota Sinistro | Left Wheel Cover | Couvre-Roue Gau. | Linke Radkappe | |
| 56 | 12728686/0 | 2 | Vite | Screw | Vis | Schraube | |
| 57 | 12735402/0 | 4 | Vite | Screw | Vis | Schraube | |
| 58 | 325207184/0 | 1 | Copertura | Cover | Couvre | Kappe | |
| 71 | 25110302/0 | 1 | Copertura Sacco | Grass-Catcher Cover | Couvre-Bac | Sackkappe | |
| 72 | 382110255/0 | 1 | Coperture Lateral | Cover Assy | Couvre Ens. | Kappe | |
| 74 | 382110259/0 | 1 | Assieme Angolari | Angles Assy | Corniere Ens. | Winkelprofil | |
| 78 | 25394009/0 | 1 | Copertura Maniglia | Handle Cover | Couvre-Poignee | Griffkappe | |
| 79 | 12735403/0 | 4 | Vite | Screw | Vis | Schraube | |
| 91 | 382869039/0 | 1 | Protezione Silenziatore | Muffler Protection | Protection Silencieux | Auspuffschutz | |
| 92 | 18737860/0 | 2 | Puntale | Cap | Bouchon | Pfropfen | |
| 93 | 12734995/0 | 4 | Vite | Screw | Vis | Schraube | |



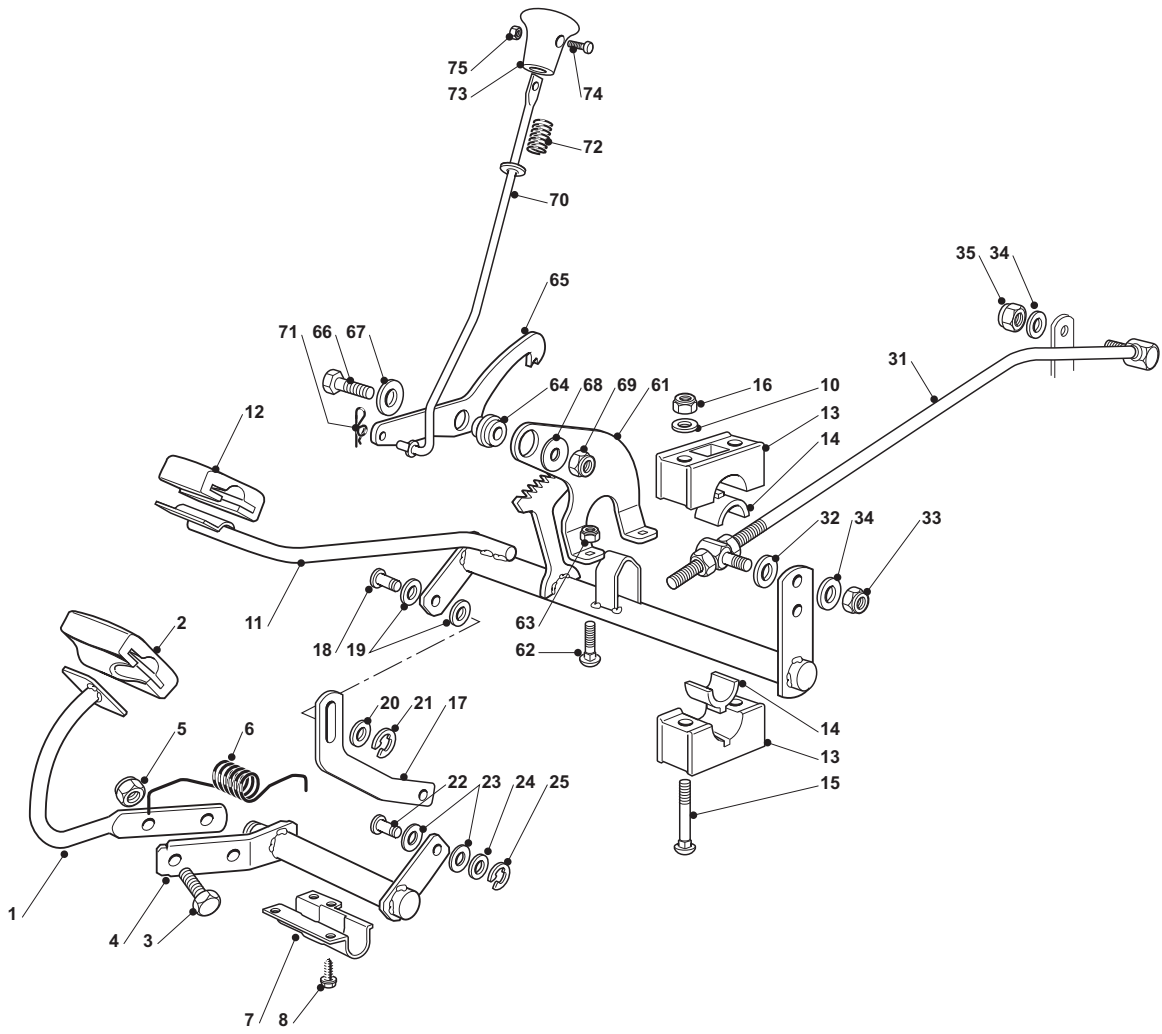
| Steering | | | | | | | |
|----------|-------------|------|---------------------|-----------------|--------------------|------------------|-------|
| POS | CODE | Q.TY | DESCRIZIONE | DESCRIPTION | DESCRIPTION | BESCHREIBUNG | NOTES |
| 1 | 25038004/0 | 2 | Boccola | Bush | Douille | Büchse | |
| 2 | 382543053/0 | 1 | Piantone | Steering Column | Tube De Direction | Lenkungsaeule | |
| 3 | 125570006/1 | 1 | Pignone | Pinion | Pignon | Ritzel | |
| 4 | 12622650/0 | 1 | Spina | Pin | Goupille | Stift | |
| 6 | 25038004/0 | 2 | Boccola | Bush | Douille | Büchse | |
| 7 | 12788910/0 | 2 | Vite | Screw | Vis | Schraube | |
| 8 | 325487000/0 | 1 | Piastrina | Plate | Plaque | Platte | |
| 9 | 382785209/0 | 1 | Supporto | Support | Support | Halter | |
| 10 | 12154330/0 | 2 | Dado | Nut | Écrou | Mutter | |
| 11 | 12521360/0 | 2 | Rondella | Washer | Rondelle | Scheibe | |
| 12 | 12156602/0 | 2 | Dado | Nut | Écrou | Mutter | |
| 13 | 12691800/0 | 1 | Vite | Screw | Vis | Schraube | |
| 14 | 12583500/0 | 1 | Grower | Grower | Grower | Grower | |
| 15 | 12523060/0 | 1 | Rondella | Washer | Rondelle | Scheibe | |
| 16 | 112735108/1 | 4 | Vite | Screw | Vis | Schraube | |
| 17 | 382785207/0 | 1 | Supporto | Support | Support | Halter | |
| 18 | 125040641/0 | 1 | Supporto | Support | Support | Halter | |
| 19 | 382735523/0 | 1 | Settore | Steering Shaft | Arbre Direction | Lenkungswelle | |
| 20 | 325774453/0 | 1 | Staffa | Clamp | Etrier | Bride | |
| 21 | 119216047/0 | 1 | Cuscinetto | Bearing | Roulement | Kuegellager | |
| 22 | 12691100/0 | 3 | Vite | Screw | Vis | Schraube | |
| 23 | 12523060/0 | 3 | Rondella | Washer | Rondelle | Scheibe | |
| 24 | 12155000/0 | 3 | Dado | Nut | Ecrou | Mutter | |
| 25 | 112819600/0 | 1 | Vite | Screw | Vis | Schraube | |
| 26 | 112521395/0 | 1 | Vite | Screw | Vis | Schraube | |
| 27 | 12521370/0 | 1 | Rondella | Washer | Rondelle | Scheibe | |
| 28 | 112156603/0 | 1 | Dado | Nut | Écrou | Mutter | |
| 29 | 382000622/0 | 1 | Asta Comando Sterzo | Steering Rod | Barre De Direction | Lenkungsstab | |
| 30 | 325774491/1 | 1 | Staffa | Clamp | Etrier | Bride | |
| 31 | 382000624/0 | 1 | Asta Comando Sterzo | Steering Rod | Barre De Direction | Lenkungsstab | |
| 32 | 325774393/0 | 1 | Staffa | Clamp | Etrier | Bride | |
| 33 | 12522050/0 | 4 | Rosetta | Washer | Rondelle | Scheibe | |
| 34 | 112155700/0 | 2 | Dado | Nut | Ecrou | Mutter | |
| 35 | 112760585/0 | 4 | Vite | Screw | Vis | Schraube | |
| 36 | 12521370/0 | 4 | Rondella | Washer | Rondelle | Scheibe | |
| 37 | 125160063/0 | 1 | Distanziale | Spacer | Entretoise | Entfernungsstück | |



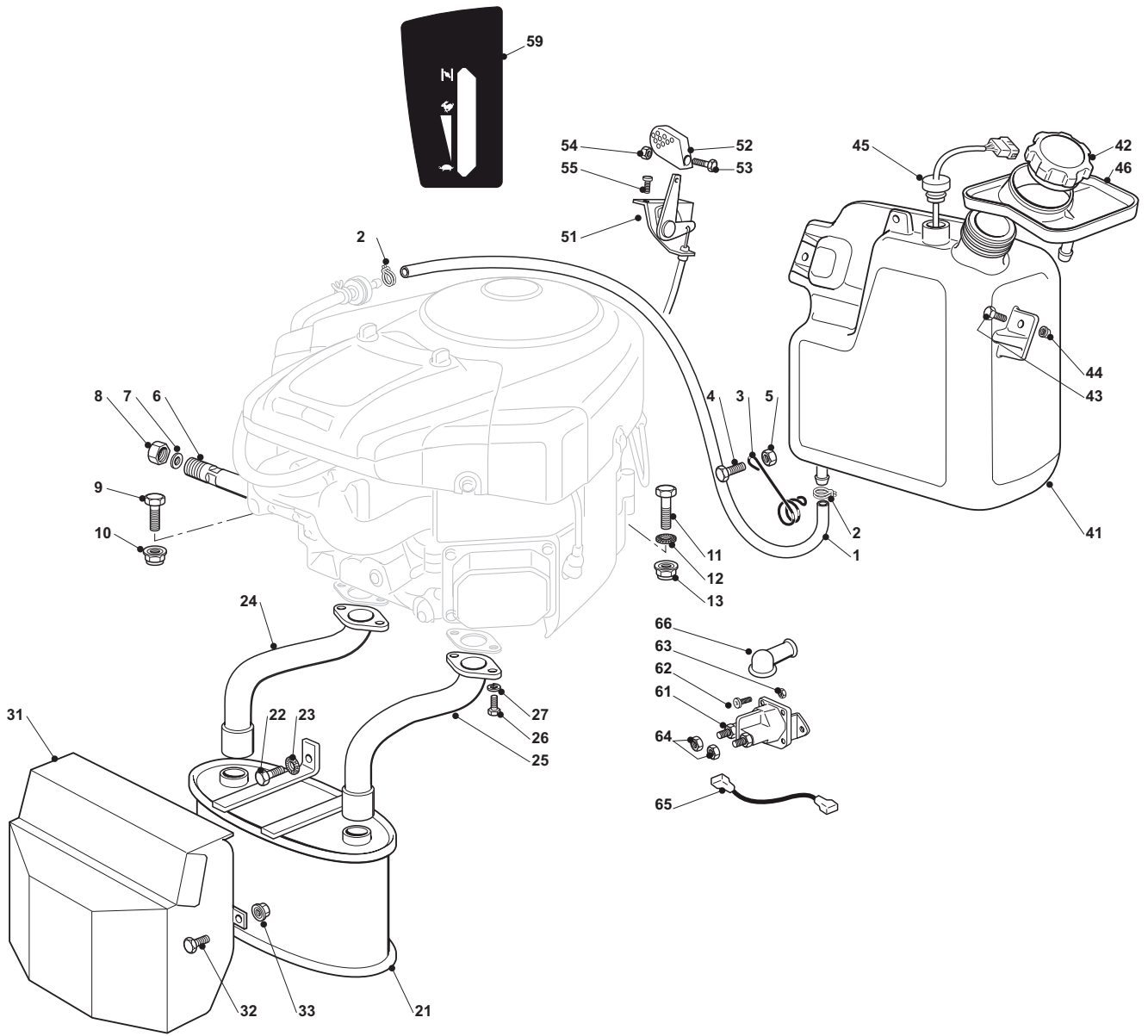
| Steering | | | | | | | model 4WD |
|----------|-------------|------|---------------------------|-------------------|---------------------------|-------------------------|---------------|
| POS | CODE | Q.TY | DESCRIZIONE | DESCRIPTION | DESCRIPTION | BESCHREIBUNG | NOTES |
| 31 | 118400974/0 | 1 | Gr. Trasmissione Kk Kxh7N | Transmission Unit | Gr. Transmission Kk Kxh7N | Antriebsgruppe Kk Kxh7N | KANZAKI KXH7N |
| 32 | 382547057/1 | 1 | Supporto | Support | Support | Halter | |
| 33 | 125040633/0 | 2 | Boccola | Bush | Douille | Büchse | |
| 34 | 112760560/0 | 6 | Vite | Screw | Vis | Schraube | |
| 35 | 112585100/0 | 6 | Rosetta | Washer | Rondelle | Scheibe | |
| 37 | 112695900/0 | 1 | Vite | Screw | Vis | Schraube | |
| 38 | 112521395/0 | 2 | Vite | Screw | Vis | Schraube | |
| 39 | 112295801/0 | 1 | Dado | Nut | Ecrou | Mutter | |
| 61 | 182000601/1 | 2 | Cerchio Ruota | Rimm | Bandage Roue | Vorderrad Felger | |
| 62 | 25122200/2 | 4 | Cuscinetto | Bearing | Roulement | Lager | |
| 63 | 25950000/0 | 2 | Valvola | Valve | Soupape | Ventil | |
| 64 | 125590012/0 | 2 | Pneumatico | Tire | Pneu | Reifen | |
| 65 | 25670005/1 | 2 | Rosetta | Washer | Rondelle | Scheibe | |
| 66 | 12001010/0 | 2 | Anello Elastico | Snap Ring | Anneau Ressort | Sprengring | |



| Brake Controls | | | | | | | |
|----------------|-------------|------|-------------|-------------|---------------|--------------|-------|
| POS | CODE | Q.TY | DESCRIZIONE | DESCRIPTION | DESCRIPTION | BESCHREIBUNG | NOTES |
| 1 | 382500041/0 | 1 | Pedale | Pedal | Pedal | Pedal | |
| 2 | 25110267/0 | 1 | Coprstaffa | Clamp Cover | Couvre Etrier | Bridedeckel | |
| 3 | 325547081/2 | 1 | Piastrina | Plate | Plaque | Platte | |
| 4 | 12731601/0 | 4 | Vite | Screw | Vis | Schraube | |
| 5 | 382000554/2 | 1 | Asta | Rod | Tige | Stange | |
| 6 | 12521350/0 | 1 | Rondella | Washer | Rondelle | Scheibe | |
| 7 | 12155000/0 | 1 | Dado | Nut | Ecrou | Mutter | |
| 8 | 12521350/0 | 1 | Rondella | Washer | Rondelle | Scheibe | |
| 9 | 12155000/0 | 1 | Dado | Nut | Ecrou | Mutter | |
| 10 | 325547281/1 | 1 | Piastrina | Plate | Plaque | Platte | |
| 11 | 12815210/0 | 2 | Vite | Screw | Vis | Schraube | |
| 12 | 12523040/0 | 2 | Rosetta | Washer | Rondelle | Scheibe | |
| 13 | 12154510/0 | 2 | Dado | Nut | Ecrou | Mutter | |
| 21 | 325785143/1 | 1 | Supporto | Support | Support | Halter | |
| 22 | 12815210/0 | 2 | Vite | Screw | Vis | Schraube | |
| 23 | 12523040/0 | 1 | Rosetta | Washer | Rondelle | Scheibe | |
| 24 | 12154510/0 | 2 | Dado | Nut | Ecrou | Mutter | |
| 25 | 325253009/0 | 1 | Gancio | Hook | Crochet | Haken | |
| 26 | 22524970/2 | 1 | Perno | Pin | Pivot | Bolzen | |
| 27 | 25670011/0 | 1 | Rondella | Washer | Rondelle | Scheibe | |
| 28 | 12155000/0 | 1 | Dado | Nut | Ecrou | Mutter | |
| 29 | 125033097/0 | 1 | Asta | Rod | Barre | Stange | |
| 30 | 24487997/0 | 1 | Coppiglia | Cotter Pin | Goupille | Splint | |
| 31 | 25430213/0 | 1 | Molla | Spring | Ressort | Feder | |
| 32 | 12523040/0 | 1 | Rosetta | Washer | Rondelle | Scheibe | |
| 33 | 325592001/0 | 1 | Pomello | Knob | Poignee | Griff | |
| 34 | 325592002/0 | 1 | Pomello | Knob | Poignee | Griff | |
| 35 | 12727815/0 | 1 | Vite | Screw | Vis | Schraube | |

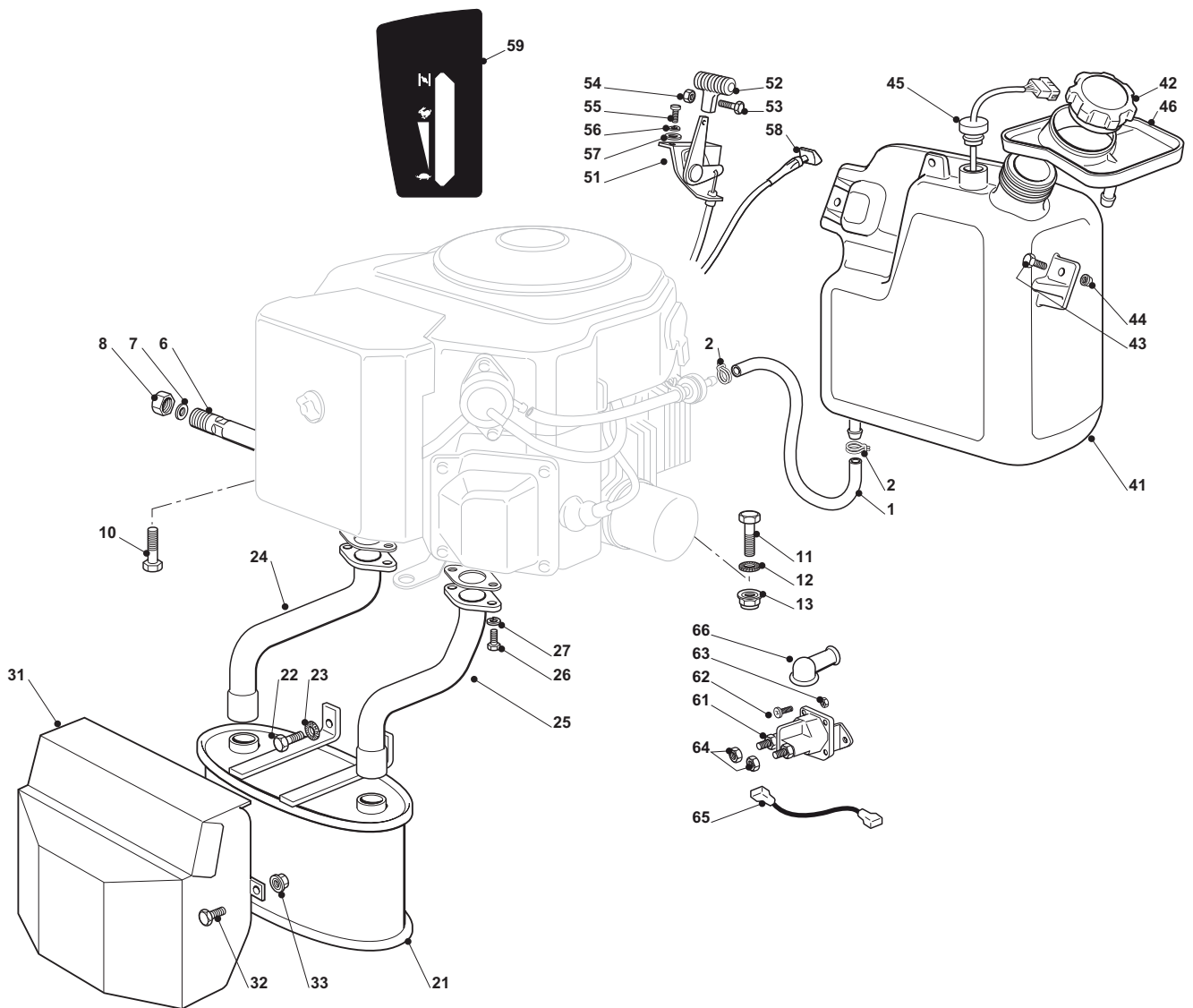


| Drive Controls | | | | | | | |
|----------------|-------------|------|----------------------|-------------------|---------------------|-------------------|-------|
| POS | CODE | Q.TY | DESCRIZIONE | DESCRIPTION | DESCRIPTION | BESCHREIBUNG | NOTES |
| 1 | 382500045/0 | 1 | Pedale | Pedal | Pedal | Pedal | |
| 2 | 25110275/0 | 1 | Coprstaffa | Clamp Cover | Couvre Etrier | Bridedeckel | |
| 3 | 12793301/0 | 2 | Vite | Screw | Vis | Schraube | |
| 4 | 382000559/1 | 1 | Asse | Axle | Axe | Achse | |
| 5 | 12155000/0 | 2 | Dado | Nut | Ecrou | Mutter | |
| 6 | 125430246/1 | 1 | Molla | Spring | Ressort | Feder | |
| 7 | 325547133/1 | 1 | Piastrina | Plate | Plaque | Platte | |
| 8 | 12731601/0 | 4 | Vite | Screw | Vis | Schraube | |
| 10 | 12523040/0 | 4 | Rosetta | Washer | Rondelle | Scheibe | |
| 11 | 382000617/1 | 1 | Asse | Axle | Axe | Achse | |
| 12 | 25110274/0 | 1 | Coprstaffa Anteriore | Clamp Cover Front | Couvre Etrier Avant | Bridedeckel Vorde | |
| 13 | 325785354/0 | 4 | Supporto | Support | Support | Halter | |
| 14 | 325034003/0 | 4 | Bronzina | Brass | Coussinet | Büchse | |
| 15 | 112815271/0 | 4 | Vite | Screw | Vis | Schraube | |
| 16 | 12154510/0 | 4 | Dado | Nut | Ecrou | Mutter | |
| 17 | 325547207/0 | 1 | Piastrina | Plate | Plaque | Platte | |
| 18 | 125510085/1 | 1 | Perno | Pin | Pivot | Bolzen | |
| 19 | 25670011/0 | 2 | Rondella | Washer | Rondelle | Scheibe | |
| 20 | 12521350/0 | 1 | Rondella | Washer | Rondelle | Scheibe | |
| 21 | 12000930/0 | 1 | Fissatore A Corona | Crown Fastener | Fixateur A Couronne | Kronescheibe | |
| 22 | 125510085/1 | 1 | Perno | Pin | Pivot | Bolzen | |
| 23 | 25670011/0 | 2 | Rondella | Washer | Rondelle | Scheibe | |
| 24 | 12521350/0 | 1 | Rondella | Washer | Rondelle | Scheibe | |
| 25 | 12000930/0 | 1 | Fissatore A Corona | Crown Fastener | Fixateur A Couronne | Kronescheibe | |
| 31 | 382000612/0 | 1 | Asta | Rod | Barre | Stange | |
| 32 | 12523060/0 | 1 | Rondella | Washer | Rondelle | Scheibe | |
| 33 | 12154510/0 | 1 | Dado | Nut | Ecrou | Mutter | |
| 34 | 12523040/0 | 2 | Rosetta | Washer | Rondelle | Scheibe | |
| 35 | 12154510/0 | 1 | Dado | Nut | Ecrou | Mutter | |
| 61 | 325774477/0 | 1 | Staffa | Clamp | Etrier | Bride | |
| 62 | 12815210/0 | 2 | Vite | Screw | Vis | Schraube | |
| 63 | 12292102/0 | 2 | Dado | Nut | Ecrou | Mutter | |
| 64 | 125040638/0 | 1 | Bussola | Bush | Douille | Büchse | |
| 65 | 325022000/1 | 1 | Gancio | Hook | Crochet | Haken | |
| 66 | 12691100/0 | 1 | Vite | Screw | Vis | Schraube | |
| 67 | 12523060/0 | 1 | Rondella | Washer | Rondelle | Scheibe | |
| 68 | 22672152/0 | 1 | Rondella | Washer | Rondelle | Scheibe | |
| 69 | 12155000/0 | 1 | Dado | Nut | Ecrou | Mutter | |
| 70 | 125033091/0 | 1 | Asta | Rod | Barre | Stange | |
| 71 | 24487995/0 | 1 | Coppiglia | Cotter Pin | Goupille | Split | |
| 72 | 25430232/0 | 1 | Molla | Spring | Ressort | Feder | |
| 73 | 325605002/0 | 1 | Pulsante | Button | Poussoir | Druckknopf | |
| 74 | 112726389/0 | 1 | Vite | Screw | Vis | Schraube | |
| 75 | 12290800/0 | 1 | Dado | Nut | Ecrou | Mutter | |

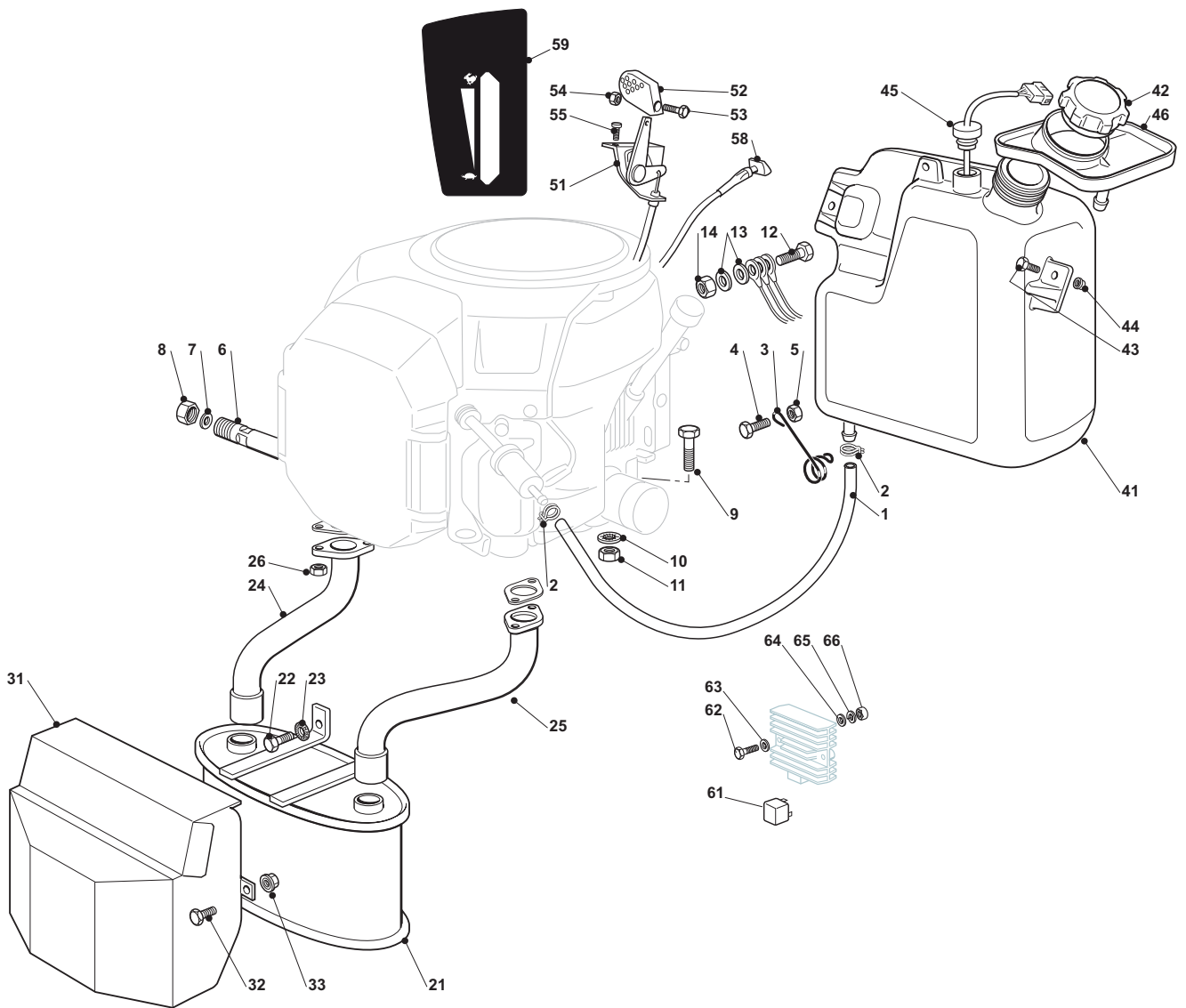


Engine - B&S 20 - 22 - 24 HP

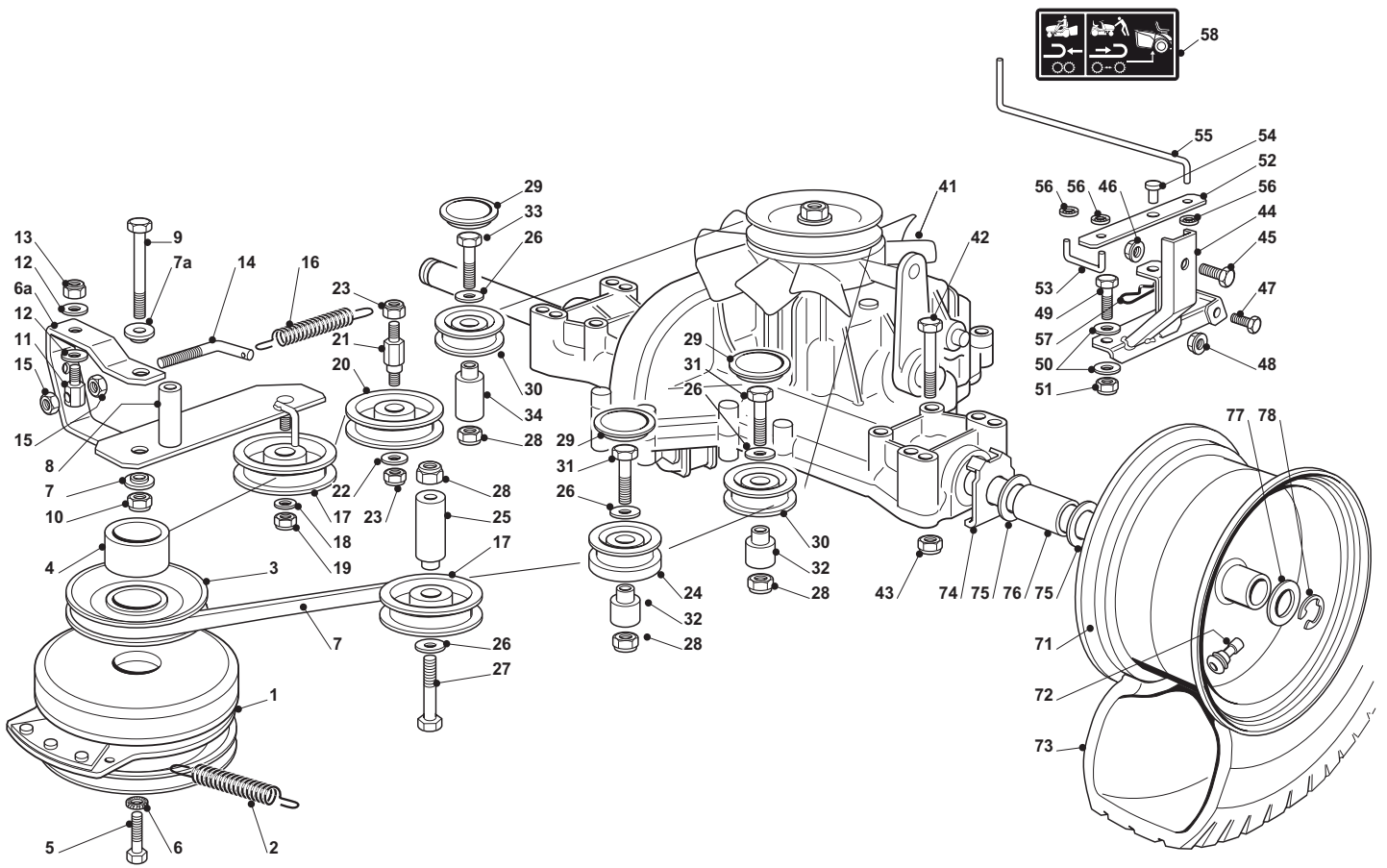
| POS | CODE | Q.TY | DESCRIZIONE | DESCRIPTION | DESCRIPTION | BESCHREIBUNG | NOTES |
|-----|-------------|------|-----------------------|-------------------------|--------------------------|-------------------------|-------|
| 1 | 25869016/1 | 1 | Tubo Collegamento | Connecting Tube | Tube De Connexion | Verbindungsrohr | |
| 2 | 18375051/1 | 2 | Fascetta | Fair Led | Fixation De Cable | Kabelbefestigung | |
| 3 | 25430239/1 | 1 | Molla | Spring | Ressort | Feder | |
| 4 | 12790781/0 | 1 | Vite | Screw | Vis | Schraube | |
| 5 | 12292102/0 | 1 | Dado | Nut | Ecrou | Mutter | |
| 6 | 25598050/0 | 1 | Prolunga Scarico Olio | Oil Discharge Extension | Extension Dech. Huile | Öl Abfluss | |
| 7 | 18737849/0 | 1 | Tappo Per Prolunga | Oil Cap | Bouchon Huile | Ölverschluss | |
| 8 | 18401001/1 | 1 | Guarnizione | Oil Seal | Garniture | Dichtung | |
| 9 | 12691100/0 | 3 | Vite | Screw | Vis | Schraube | |
| 10 | 12154210/0 | 3 | Dado | Nut | Ecrou | Mutter | |
| 11 | 12691115/0 | 1 | Vite | Screw | Vis | Schraube | |
| 12 | 12540260/0 | 1 | Rondella | Washer | Rondelle | Scheibe | |
| 13 | 12154210/0 | 1 | Dado | Nut | Ecrou | Mutter | |
| 21 | 182750009/0 | 1 | Silenziatore | Muffler | Silenceux | Auspuff | |
| 22 | 12793301/0 | 2 | Vite | Screw | Vis | Schraube | |
| 23 | 12540260/0 | 2 | Rondella | Washer | Rondelle | Scheibe | |
| 24 | 118738236/0 | 1 | Tubo Scarico Dx | Exhaust Right Tube | Tube Droit Pour Echapp. | Rechtes Verbindungsrohr | |
| 25 | 118738237/0 | 1 | Tubo Scarico Sx | Exhaust Left Tube | Tube Gauche Pour Echapp. | Linkes Verbindungsrohr | |
| 26 | 12735530/0 | 4 | Vite | Screw | Vis | Schraube | |
| 27 | 12583500/0 | 4 | Grower | Grower | Grower | Grower | |
| 31 | 382598043/1 | 1 | Protezione | Guard | Protection | Schutze | |
| 32 | 12791011/0 | 2 | Vite | Screw | Vis | Schraube | |
| 33 | 12292102/0 | 2 | Dado | Nut | Ecrou | Mutter | |
| 41 | 325735125/2 | 1 | Serbatoio | Tank | Reservoir | Tank | |
| 42 | 325795003/0 | 1 | Tappo Serbatoio | Cap | Bouchon | Tankverschluss | |
| 43 | 12788910/0 | 2 | Vite | Screw | Vis | Schraube | |
| 44 | 12500092/0 | 2 | Rivetto | Rivet | Rivet | Niet | |
| 45 | 125290002/0 | 1 | Indicatore Livello | Fuel Level Indicator | Indicateur Niveau | Kraftstoffmesser | |
| 46 | 325600086/0 | 1 | Protezione Benzina | Guard | Protection | Schutz | |
| 51 | 182000218/0 | 1 | Acceleratore | Accelerator | Accelérateur | Gas Zug | |
| 52 | 325592000/0 | 1 | Manopolina | Handle | Poigne | Griff | |
| 53 | 125943012/0 | 1 | Vite | Screw | Vis | Schraube | |
| 54 | 12290800/0 | 1 | Dado | Nut | Ecrou | Mutter | |
| 55 | 12788512/0 | 2 | Vite | Screw | Vis | Schraube | |
| 59 | 14360717/0 | 1 | Etichetta | Label | Étiquette | Klebzettel | |
| 61 | 18736111/0 | 1 | Relè Avviamento | Starter Relay | Relais D'Allumage | Anlassrelais | |
| 62 | 12791011/0 | 2 | Vite | Screw | Vis | Schraube | |
| 63 | 12292102/0 | 2 | Dado | Nut | Ecrou | Mutter | |
| 64 | 12360352/0 | 2 | Dado | Nut | Ecrou | Mutter | |
| 65 | 25065002/0 | 1 | Cavo Relé Avv. | Cable | Cable | Kabel | |
| 66 | 18564861/1 | 1 | Cappuccio | Protection | Capuchon | Stecker | |



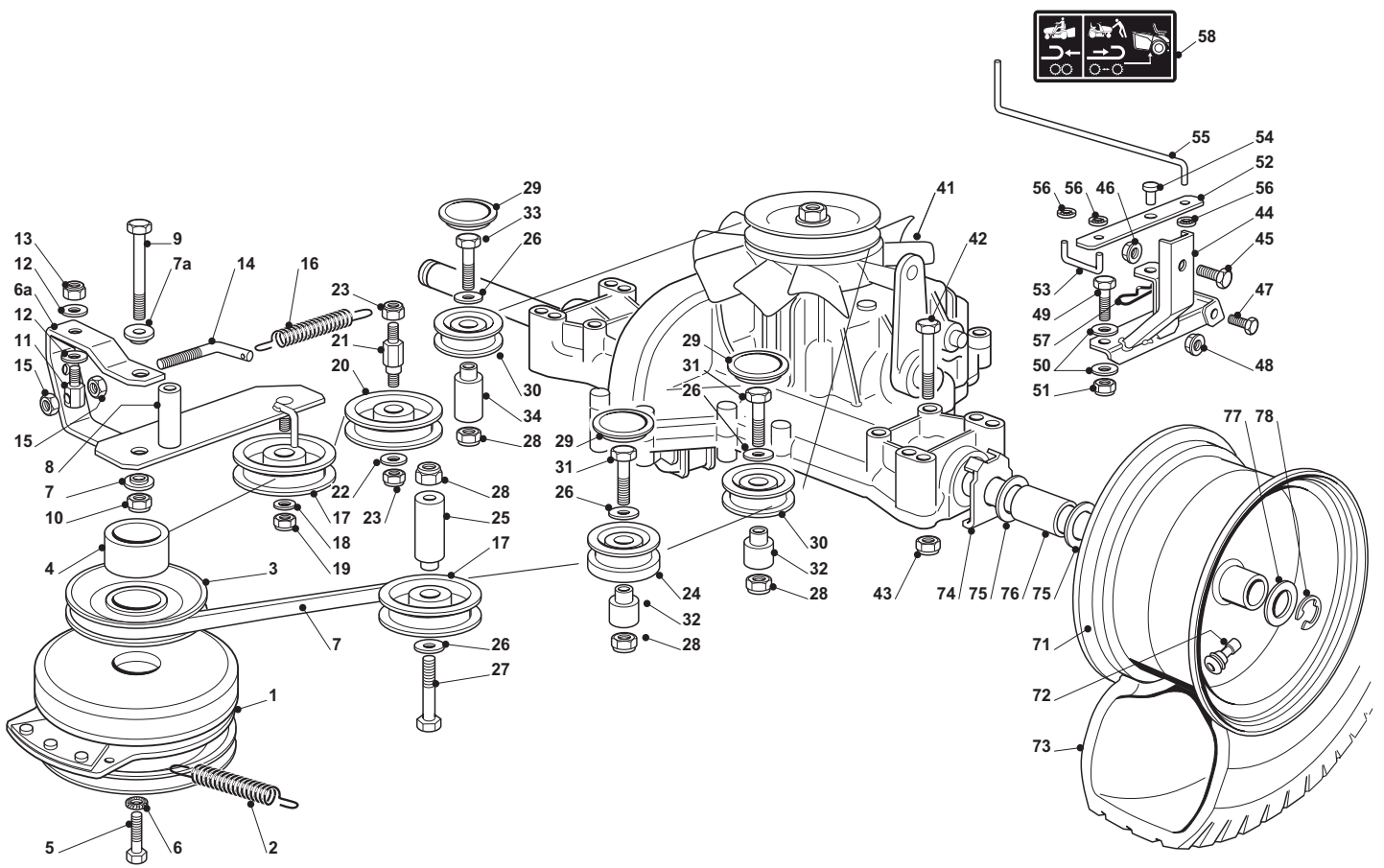
| Engine - Kohler | | | | | | | |
|-----------------|-------------|------|-----------------------------|---------------------------|-----------------------------|---------------------------|-------|
| POS | CODE | Q.TY | DESCRIZIONE | DESCRIPTION | DESCRIPTION | BESCHREIBUNG | NOTES |
| 1 | 25869057/0 | 1 | Tubo Collegamento (1000 Mm) | Connecting Tube (1000 Mm) | Tube De Connexion (1000 Mm) | Verbindungsrohr (1000 Mm) | |
| 2 | 18375051/1 | 2 | Fascetta | Fair Led | Fixation De Cable | Kabelbefestigung | |
| 6 | 25598050/0 | 1 | Prolunga Scarico Olio | Oil Discharge Extension | Extension Dech. Huile | Öl Abfluss | |
| 7 | 18737849/0 | 1 | Tappo Per Prolunga | Oil Cap | Bouchon Huile | Ölverschluss | |
| 8 | 18401001/1 | 1 | Guarnizione | Oil Seal | Garniture | Dichtung | |
| 10 | 112735108/1 | 4 | Vite | Screw | Vis | Schraube | |
| 11 | 12691115/0 | 1 | Vite | Screw | Vis | Schraube | |
| 12 | 12540260/0 | 1 | Rondella | Washer | Rondelle | Scheibe | |
| 13 | 12154210/0 | 1 | Dado | Nut | Ecrou | Mutter | |
| 21 | 182750009/0 | 1 | Silenziatore | Muffler | Silenceux | Auspuff | |
| 22 | 12793301/0 | 2 | Vite | Screw | Vis | Schraube | |
| 23 | 12540260/0 | 2 | Rondella | Washer | Rondelle | Scheibe | |
| 24 | 118738234/0 | 1 | Tubo Scarico Dx | Exhaust Right Tube | Tube Droit Pour Echapp. | Rechtes Verbindungsrohr | |
| 25 | 118738235/0 | 1 | Tubo Scarico Sx | Exhaust Left Tube | Tube Gauche Pour Echapp. | Linkes Verbindungsrohr | |
| 26 | 12735530/0 | 4 | Vite | Screw | Vis | Schraube | |
| 27 | 12583500/0 | 4 | Grower | Grower | Grower | Grower | |
| 31 | 382598043/1 | 1 | Protezione | Guard | Protection | Schutze | |
| 32 | 12791011/0 | 2 | Vite | Screw | Vis | Schraube | |
| 33 | 12292102/0 | 2 | Dado | Nut | Ecrou | Mutter | |
| 41 | 325735125/0 | 1 | Serbatoio | Tank | Reservoir | Tank | |
| 42 | 325795003/0 | 1 | Tappo Serbatoio | Cap | Bouchon | Tankverschluss | |
| 43 | 12788910/0 | 2 | Vite | Screw | Vis | Schraube | |
| 44 | 12500092/0 | 2 | Rivetto | Rivet | Rivet | Niet | |
| 45 | 125290002/0 | 1 | Indicatore Livello | Fuel Level Indicator | Indicateur Niveau | Kraftstoffmesser | |
| 46 | 325600086/0 | 1 | Protezione Benzina | Guard | Protection | Schutz | |
| 51 | 182000213/0 | 1 | Acceleratore | Accelerator | Accelérateur | Gas Zug | |
| 52 | 25394501/0 | 1 | Manopolina | Handle | Poigne | Griff | |
| 53 | 12726388/0 | 1 | Vite | Screw | Vis | Schraube | |
| 54 | 12290800/0 | 1 | Dado | Nut | Ecrou | Mutter | |
| 55 | 12788512/0 | 2 | Vite | Screw | Vis | Schraube | |
| 56 | 12581200/0 | 2 | Grower | Grower | Grower | Grower | |
| 57 | 12521310/0 | 2 | Rosetta | Washer | Rondelle | Scheibe | |
| 58 | 125090005/0 | 1 | Comando Starter | Choke Control | Commande Starter | Starter Betaetigung | |
| 59 | 14360717/0 | 1 | Etichetta | Label | Etiquette | Klebzettel | |
| 61 | 18736111/0 | 1 | Relè Avviamento | Starter Relay | Relais D'Allumage | Anlassrelais | |
| 62 | 12791011/0 | 2 | Vite | Screw | Vis | Schraube | |
| 63 | 12292102/0 | 2 | Dado | Nut | Ecrou | Mutter | |
| 64 | 12360352/0 | 2 | Dado | Nut | Ecrou | Mutter | |
| 65 | 25065002/0 | 1 | Cavo Relé Avv. | Cable | Cable | Kabel | |
| 66 | 18564861/1 | 1 | Cappuccio | Protection | Capuchon | Stecker | |



| Engine - Honda GXV 660 | | | | | | | |
|------------------------|-------------|------|-----------------------------|---------------------------|-----------------------------|---------------------------|-------|
| POS | CODE | Q.TY | DESCRIZIONE | DESCRIPTION | DESCRIPTION | BESCHREIBUNG | NOTES |
| 1 | 25869057/0 | 1 | Tubo Collegamento (1000 Mm) | Connecting Tube (1000 Mm) | Tube De Connexion (1000 Mm) | Verbindungsrohr (1000 Mm) | |
| 2 | 18375051/1 | 2 | Fascetta | Fair Led | Fixation De Cable | Kabelbefestigung | |
| 3 | 25430239/1 | 1 | Molla | Spring | Ressort | Feder | |
| 4 | 12790781/0 | 1 | Vite | Screw | Vis | Schraube | |
| 5 | 12292102/0 | 1 | Dado | Nut | Ecrou | Mutter | |
| 6 | 25598050/0 | 1 | Prolunga Scarico Olio | Oil Discharge Extension | Extension Dech. Huile | Öl Abfluss | |
| 7 | 18737849/0 | 1 | Tappo Per Prolunga | Oil Cap | Bouchon Huile | Ölverschluss | |
| 8 | 18401001/1 | 1 | Guarnizione | Oil Seal | Garniture | Dichtung | |
| 9 | 25510028/1 | 4 | Vite | Screw | Vis | Schraube | |
| 10 | 12540260/0 | 1 | Rondella | Washer | Rondelle | Scheibe | |
| 11 | 12154210/0 | 4 | Dado | Nut | Ecrou | Mutter | |
| 12 | 12691200/0 | 1 | Vite | Screw | Vis | Schraube | |
| 13 | 12523060/0 | 2 | Rondella | Washer | Rondelle | Scheibe | |
| 14 | 12293200/0 | 1 | Dado | Nut | Ecrou | Mutter | |
| 21 | 182750009/0 | 1 | Silenziatore | Muffler | Silenceux | Auspuff | |
| 22 | 12793301/0 | 2 | Vite | Screw | Vis | Schraube | |
| 23 | 12540260/0 | 2 | Rondella | Washer | Rondelle | Scheibe | |
| 24 | 118738234/0 | 1 | Tubo Scarico Dx | Exhaust Right Tube | Tube Droit Pour Echapp. | Rechtes Verbindungsrohr | |
| 25 | 118738235/0 | 1 | Tubo Scarico Sx | Exhaust Left Tube | Tube Gauche Pour Echapp. | Linkes Verbindungsrohr | |
| 26 | 12293201/0 | 4 | Dado | Nut | Ecrou | Mutter | |
| 31 | 382598043/1 | 1 | Protezione | Guard | Protection | Schutze | |
| 32 | 12791011/0 | 2 | Vite | Screw | Vis | Schraube | |
| 33 | 12292102/0 | 2 | Dado | Nut | Ecrou | Mutter | |
| 41 | 325735125/2 | 1 | Serbatoio | Tank | Reservoir | Tank | |
| 42 | 325795003/0 | 1 | Tappo Serbatoio | Cap | Bouchon | Tankverschluss | |
| 43 | 12788910/0 | 2 | Vite | Screw | Vis | Schraube | |
| 44 | 12500092/0 | 2 | Rivetto | Rivet | Rivet | Niet | |
| 45 | 125290002/0 | 1 | Indicatore Livello | Fuel Level Indicator | Indicateur Niveau | Kraftstoffmesser | |
| 46 | 325600086/0 | 1 | Protezione Benzina | Guard | Protection | Schutz | |
| 51 | 182000220/0 | 1 | Acceleratore | Accelerator | Accelérateur | Gas Zug | |
| 52 | 325592000/0 | 1 | Manopolina | Handle | Poigne | Griff | |
| 53 | 12726388/0 | 1 | Vite | Screw | Vis | Schraube | |
| 54 | 12290800/0 | 1 | Dado | Nut | Ecrou | Mutter | |
| 55 | 125943012/0 | 2 | Vite | Screw | Vis | Schraube | |
| 58 | 125090007/0 | 1 | Comando Starter | Choke Control | Commande Starter | Starter Betaetigung | |
| 59 | 14360716/0 | 1 | Etichetta | Label | Etiquette | Klebzettel | |
| 61 | 33567000/0 | 1 | Rele' | Relay | Relais | Relais | |
| 62 | 12791500/0 | 2 | Vite | Screw | Vis | Schraube | |
| 63 | 12521330/0 | 2 | Rosetta | Washer | Rondelle | Scheibe | |
| 64 | 12521330/0 | 2 | Rosetta | Washer | Rondelle | Scheibe | |
| 65 | 12582100/0 | 2 | Grower | Grower | Bouchon Huile | Ölverschluss | |
| 66 | 12292100/0 | 2 | Dado | Nut | Ecrou | Mutter | |



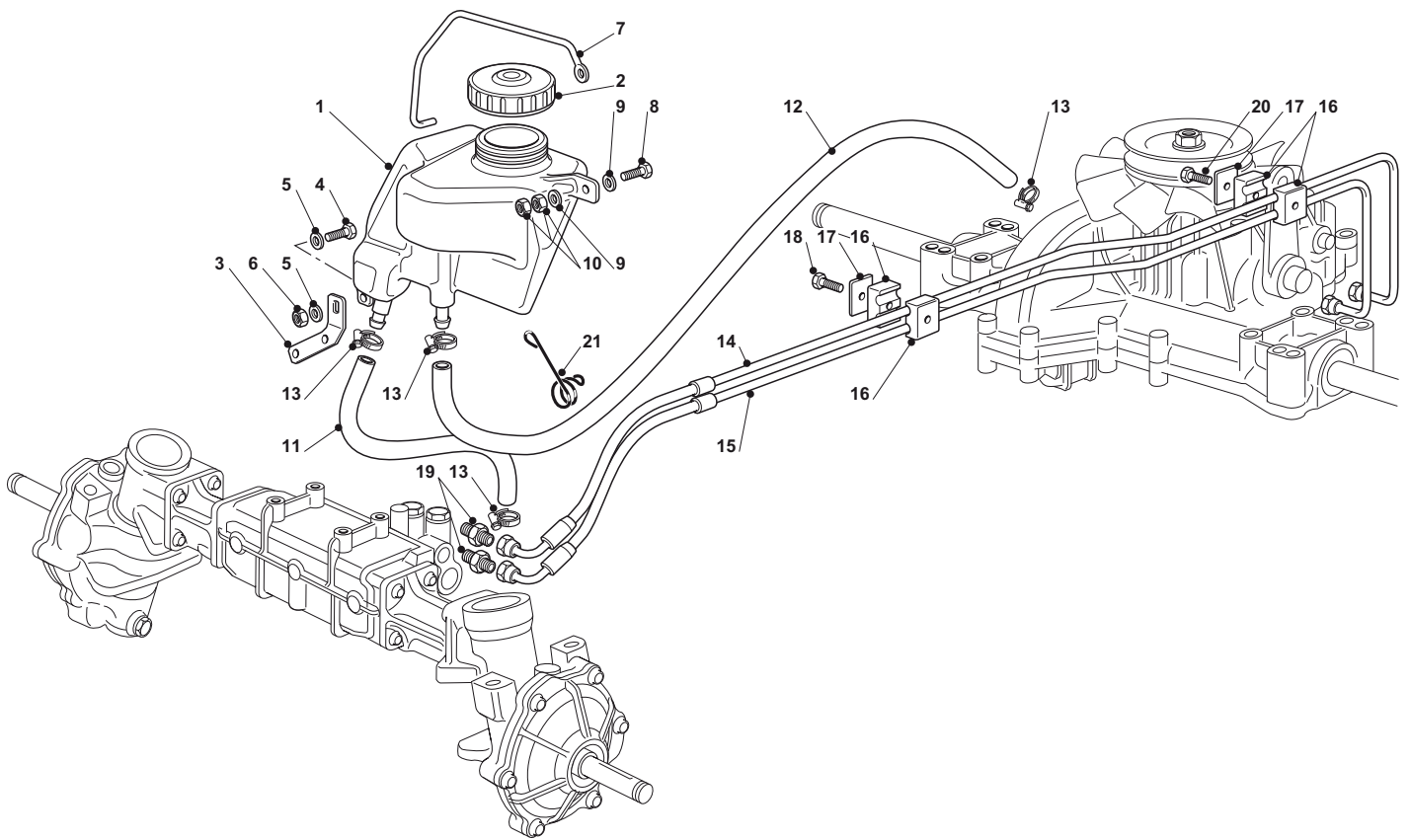
| POS | CODE | Q.TY | DESCRIZIONE | DESCRIPTION | DESCRIPTION | BESCHREIBUNG | NOTES |
|-----|-------------|------|----------------------------|----------------|-----------------------------|-----------------------------|-----------------|
| 1 | 118399062/0 | 1 | Frizione | Clutc | Embrajage | Kupplung | |
| 2 | 125430210/1 | 1 | Molla | Spring | Ressort | Feder | |
| 3 | 125601580/0 | 1 | Puleggia | Pulley | Poulie | Riemenscheibe | |
| 4 | 25160021/0 | 1 | Distanziale | Spacer | Entretoise | Entfernungsstück | |
| 5 | 12737320/0 | 1 | Vite | Screw | Vis | Schraube | |
| 6 | 12543000/0 | 1 | Rosetta | Washer | Rondelle | Scheibe | |
| 6a | 382318251/0 | 1 | Leva | Lever | Levier | Hebel | |
| 7 | 135062002/1 | 1 | Cinghia | Belt | Courroie | Riemen | |
| 7a | 25038002/1 | 2 | Boccola | Bush | Douille | Büchse | |
| 8 | 125160054/0 | 1 | Distanziale | Spacer | Entretoise | Entfernungsstück | |
| 9 | 12793905/0 | 1 | Vite | Screw | Vis | Schraube | |
| 10 | 12155000/0 | 1 | Dado | Nut | Ecrou | Mutter | |
| 11 | 25510040/1 | 1 | Perno | Pin | Pivot | Bolzen | |
| 12 | 25670011/0 | 2 | Rondella | Washer | Rondelle | Scheibe | |
| 13 | 12155000/0 | 1 | Dado | Nut | Ecrou | Mutter | |
| 14 | 125840030/0 | 1 | Tirante | Tie Rod | Tirant | Spannstange | |
| 15 | 12293200/0 | 2 | Dado | Nut | Ecrou | Mutter | |
| 16 | 25430219/0 | 1 | Molla | Spring | Ressort | Feder | |
| 17 | 25601554/0 | 2 | Puleggia | Pulley | Poulie | Riemenscheibe | |
| 18 | 12523060/0 | 1 | Rondella | Washer | Rondelle | Scheibe | |
| 19 | 12155000/0 | 1 | Dado | Nut | Ecrou | Mutter | |
| 20 | 25601555/0 | 1 | Puleggia | Pulley | Poulie | Riemenscheibe | |
| 21 | 25510036/1 | 1 | Perno | Pin | Pivot | Bolzen | |
| 22 | 12523060/0 | 1 | Rondella | Washer | Rondelle | Scheibe | |
| 23 | 12155000/0 | 2 | Dado | Nut | Ecrou | Mutter | |
| 24 | 325601584/1 | 1 | Puleggia | Pulley | Poulie | Riemenscheibe | |
| 25 | 125160060/0 | 1 | Distanziale | Spacer | Entretoise | Entfernungsstück | |
| 26 | 12523060/0 | 4 | Rondella | Washer | Rondelle | Scheibe | |
| 27 | 12691115/0 | 2 | Vite | Screw | Vis | Schraube | |
| 28 | 12155000/0 | 4 | Dado | Nut | Ecrou | Mutter | |
| 29 | 25109521/1 | 3 | Coperchio | Cover | Couvercle | Deckel | |
| 30 | 325601570/1 | 2 | Puleggia | Pulley | Poulie | Riemenscheibe | |
| 31 | 12691115/0 | 2 | Vite | Screw | Vis | Schraube | |
| 32 | 125160030/2 | 2 | Distanziale Sinistro | Left Spacer | Entretoise Gauche | Linker Entfernungsstück | |
| 33 | 12691400/0 | 1 | Vite | Screw | Vis | Schraube | |
| 34 | 125160024/2 | 1 | Distanziale Destro | Right Spacer | Entretoise Droite | Rechter Entfernungsstück | |
| 41 | 118400975/0 | 1 | Asse Post. Tuff Torq K574D | Rear Axle | Axe Arriere Tuff Torq K574D | Hinterachse Tuff Torq K574D | Tuff Torq K574D |
| 42 | 12691800/0 | 4 | Vite | Screw | Vis | Schraube | |
| 43 | 12154210/0 | 4 | Dado | Nut | Ecrou | Mutter | |
| 44 | 382785175/0 | 1 | Supporto | Support | Support | Halter | |
| 45 | 12735120/0 | 1 | Vite | Screw | Vis | Schraube | |
| 46 | 12293201/0 | 1 | Dado | Nut | Ecrou | Mutter | |
| 47 | 12792611/0 | 1 | Vite | Screw | Vis | Schraube | |
| 48 | 12293201/0 | 1 | Dado | Nut | Ecrou | Mutter | |
| 49 | 12691115/0 | 1 | Vite | Screw | Vis | Schraube | |
| 50 | 12521350/0 | 2 | Rondella | Washer | Rondelle | Scheibe | |
| 51 | 12155000/0 | 1 | Dado | Nut | Ecrou | Mutter | |
| 52 | 325547229/0 | 1 | Leva | Lever | Levier | Hebel | |
| 53 | 125580031/0 | 1 | Asta | Rod | Barre | Stange | |
| 54 | 27510111/0 | 1 | Perno | Pin | Pivot | Bolzen | |
| 55 | 125033079/0 | 1 | Asta | Rod | Barre | Schraube | |
| 56 | 12604896/0 | 3 | Fissatore A Corona | Crown Fastener | Fixateur A Couronne | Kronescheibe | |
| 57 | 124487997/0 | 1 | Coppiglia | Cotter Pin | Goupille | Split | |
| 58 | 114363696/0 | 1 | Etichetta | Label | Etiquette | Klebzettel | |
| 71 | 182000602/0 | 2 | Cerchio Ruota | Rimm | Bandage Roue | Vorderrad Felger | |
| 72 | 25950000/0 | 2 | Valvola | Valve | Soupape | Ventil | |
| 73 | 125590013/0 | 2 | Pneumatico | Tire | Pneu | Reifen | |
| 74 | 325670025/0 | 2 | Rondella | Washer | Rondelle | Scheibe | |



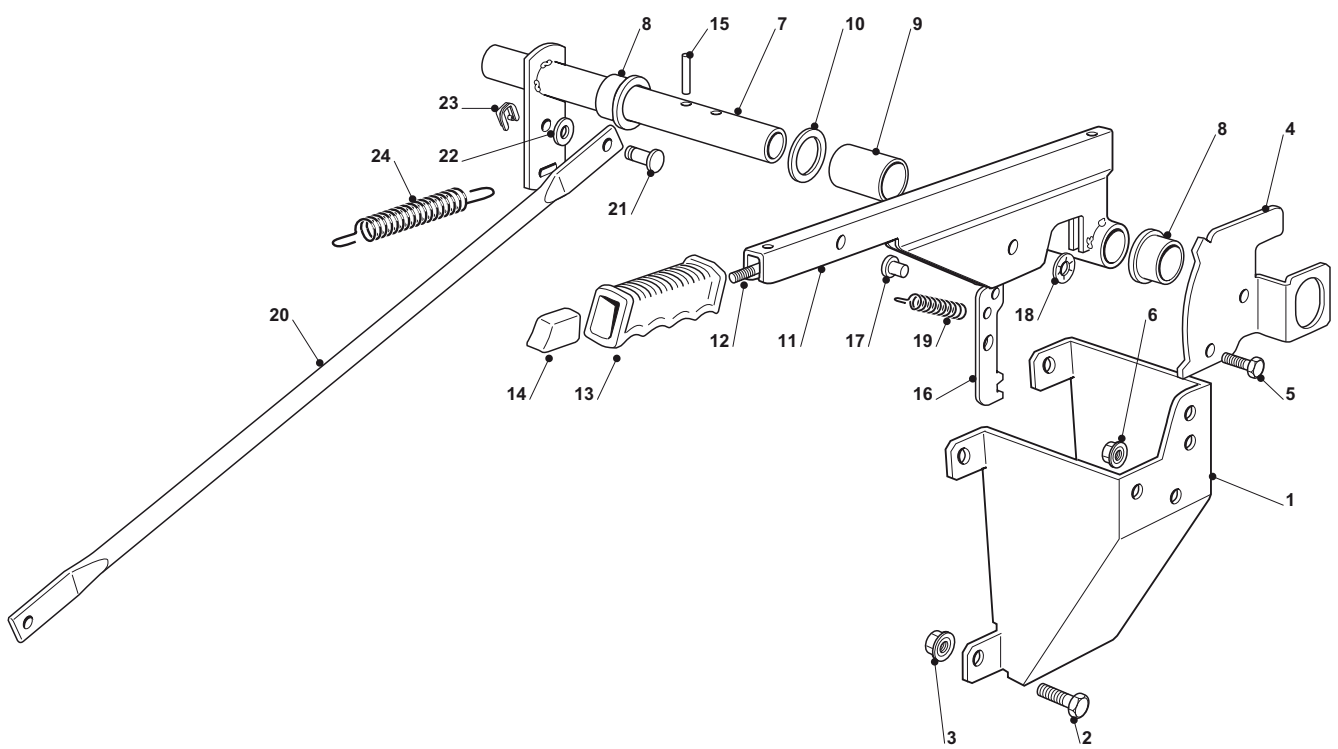
Transmission Ass.Y

model 4WD

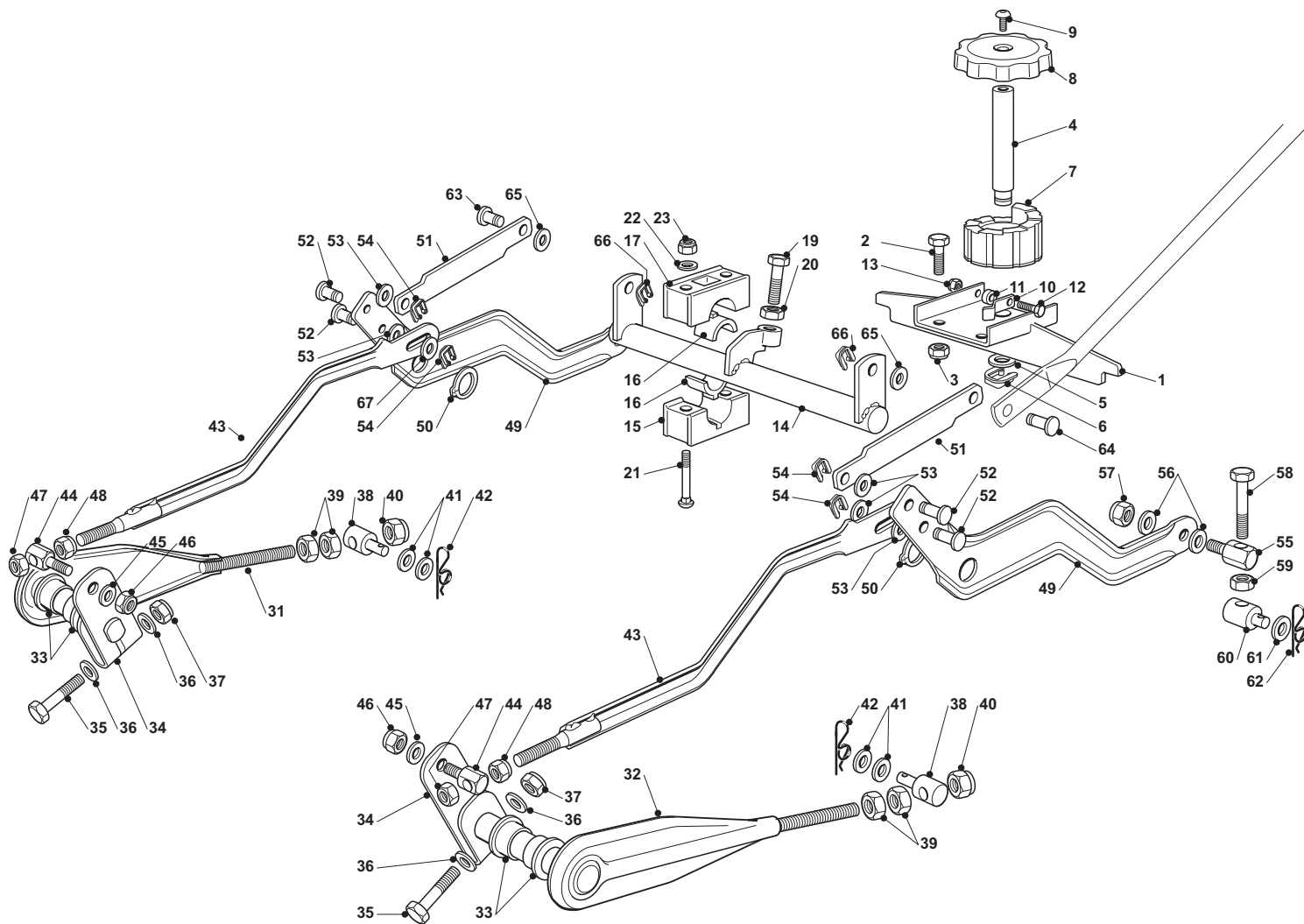
| POS | CODE | Q.TY | DESCRIZIONE | DESCRIPTION | DESCRIPTION | BESCHREIBUNG | NOTES |
|-----|-------------|------|-----------------|-------------|----------------|------------------|-------|
| 75 | 112521410/0 | 4 | Rosetta | Washer | Rondelle | Scheibe | |
| 76 | 25160023/0 | 2 | Distanziale | Spacer | Entretoise | Entfernungsstück | |
| 77 | 25670005/1 | 2 | Rosetta | Washer | Rondelle | Scheibe | |
| 78 | 12001010/0 | 2 | Anello Elastico | Snap Ring | Anneau Ressort | Sprengring | |



| POS | CODE | Q.TY | DESCRIZIONE | DESCRIPTION | DESCRIPTION | BESCHREIBUNG | NOTES |
|-----|-------------|------|-------------------|-----------------|-------------------|------------------|-------|
| 1 | 325735127/0 | 1 | Serbatoio | Tank | Reservoir | Tank | |
| 2 | 125795002/0 | 1 | Tappo Serbatoio | Cap | Bouchon | Tankverschluss | |
| 3 | 325755059/0 | 1 | Squadretta | Bracket | Equerre-Support | Winkel | |
| 4 | 12789100/0 | 1 | Vite | Screw | Vis | Schraube | |
| 5 | 12521320/0 | 2 | Rosetta | Washer | Rondelle | Scheibe | |
| 6 | 12154330/0 | 1 | Dado | Nut | Ecrou | Mutter | |
| 7 | 125600085/0 | 1 | Protezione | Guard | Protection | Schutz | |
| 8 | 12789100/0 | 1 | Vite | Screw | Vis | Schraube | |
| 9 | 12521320/0 | 2 | Rosetta | Washer | Rondelle | Scheibe | |
| 10 | 12154330/0 | 2 | Dado | Nut | Ecrou | Mutter | |
| 11 | 325869076/0 | 1 | Tubo Collegamento | Connecting Tube | Tube De Connexion | Verbindungsrohr | |
| 12 | 325869077/0 | 1 | Tubo Collegamento | Connecting Tube | Tube De Connexion | Verbindungsrohr | |
| 13 | 118375059/0 | 4 | Fascetta | Fair Led | Fixation De Cable | Kabelbefestigung | |
| 14 | 382869200/1 | 1 | Tubo Collegamento | Connecting Tube | Tube De Connexion | Verbindungsrohr | |
| 15 | 382869201/0 | 1 | Tubo Collegamento | Connecting Tube | Tube De Connexion | Verbindungsrohr | |
| 16 | 325721000/0 | 4 | Supporto | Support | Support | Halter | |
| 17 | 325547249/0 | 2 | Piastrina | Plate | Plaque | Platte | |
| 18 | 12689515/0 | 1 | Vite | Screw | Vis | Schraube | |
| 19 | 125651001/0 | 2 | Raccordo Tubi | Tube Connection | Connexion Tube | Anschluss | |
| 20 | 12674700/0 | 1 | Vite | Screw | Vis | Schraube | |
| 21 | 25430239/1 | 1 | Molla | Spring | Ressort | Feder | |

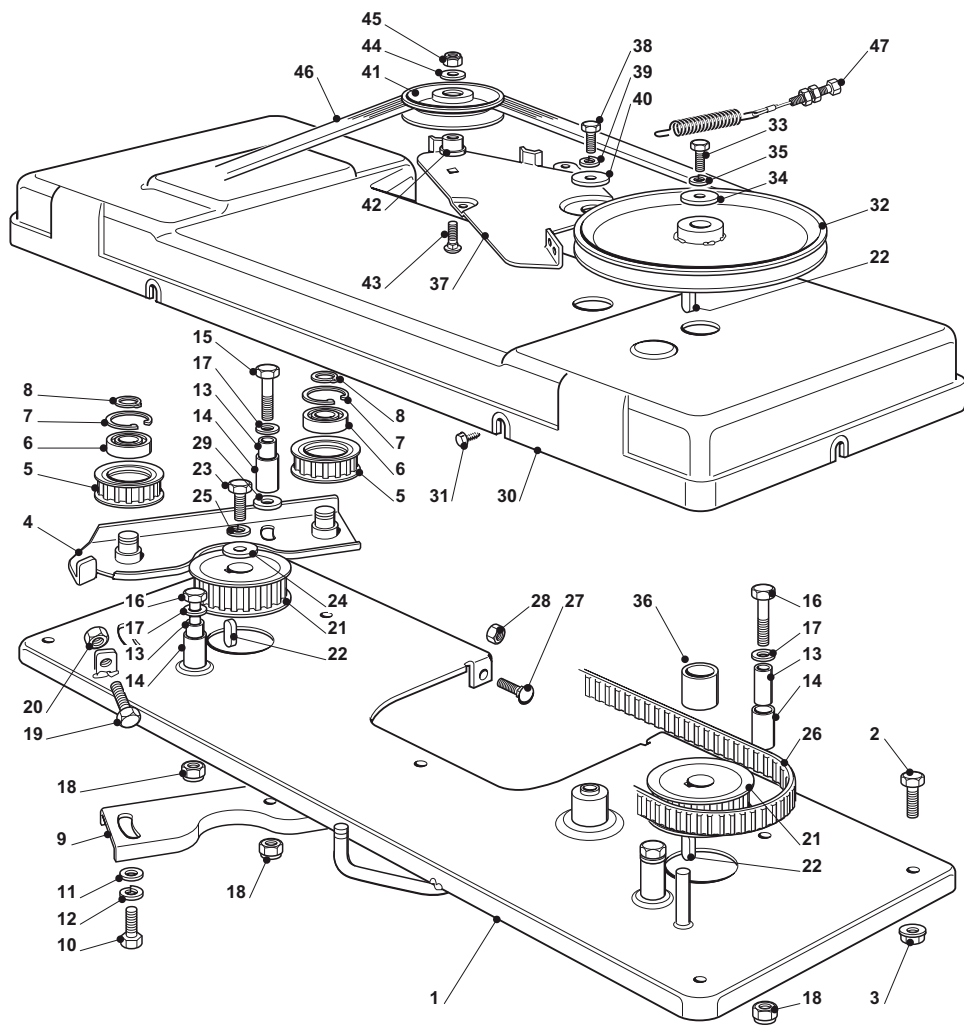


| Cutting Plate Lifting | | | | | | | |
|-----------------------|-------------|------|--------------------|----------------|---------------------|------------------|-------|
| POS | CODE | Q.TY | DESCRIZIONE | DESCRIPTION | DESCRIPTION | BESCHREIBUNG | NOTES |
| 1 | 325785137/1 | 1 | Supporto | Support | Support | Halter | |
| 2 | 12791011/0 | 4 | Vite | Screw | Vis | Schraube | |
| 3 | 12292102/0 | 4 | Dado | Nut | Ecrou | Mutter | |
| 4 | 325735521/0 | 1 | Settore | Sector | Secteur | Sektor | |
| 5 | 12793102/0 | 2 | Vite | Screw | Vis | Schraube | |
| 6 | 12293201/0 | 2 | Dado | Nut | Ecrou | Mutter | |
| 7 | 382000551/0 | 1 | Asse | Axle | Axe | Achse | |
| 8 | 22034523/0 | 2 | Boccola | Bush | Douille | Büchse | |
| 9 | 25160025/0 | 1 | Distanziale | Spacer | Entretoise | Entfernungsstück | |
| 10 | 22672153/0 | 1 | Rosetta | Washer | Rondelle | Scheibe | |
| 11 | 382318241/0 | 1 | Leva | Lever | Levier | Hebel | |
| 12 | 125033002/1 | 1 | Asta | Rod | Tige | Stab | |
| 13 | 25394504/1 | 1 | Manopola | Knob | Poignee | Griff | |
| 14 | 25605000/1 | 1 | Pulsante | Button | Poussoir | Druckknopf | |
| 15 | 12620206/0 | 2 | Spina | Pin | Goupille | Stift | |
| 16 | 325470901/1 | 1 | Nasello | Dog | Declic | Nase | |
| 17 | 25510011/0 | 1 | Perno | Pin | Pivot | Bolzen | |
| 18 | 12604899/0 | 1 | Fissatore A Corona | Crown Fastener | Fixateur A Couronne | Kronescheibe | |
| 19 | 25430208/0 | 1 | Molla | Spring | Ressort | Feder | |
| 20 | 325033077/0 | 1 | Asta Collegamento | Connecting Rod | Tige De Connexion | Verbindungsstab | |
| 21 | 125510117/0 | 1 | Perno | Pin | Pivot | Bolzen | |
| 22 | 25670011/0 | 1 | Rondella | Washer | Rondelle | Scheibe | |
| 23 | 12436050/0 | 7 | Piastrina | Plate | Plaque | Platte | |
| 24 | 125430218/1 | 1 | Molla | Spring | Ressort | Feder | |

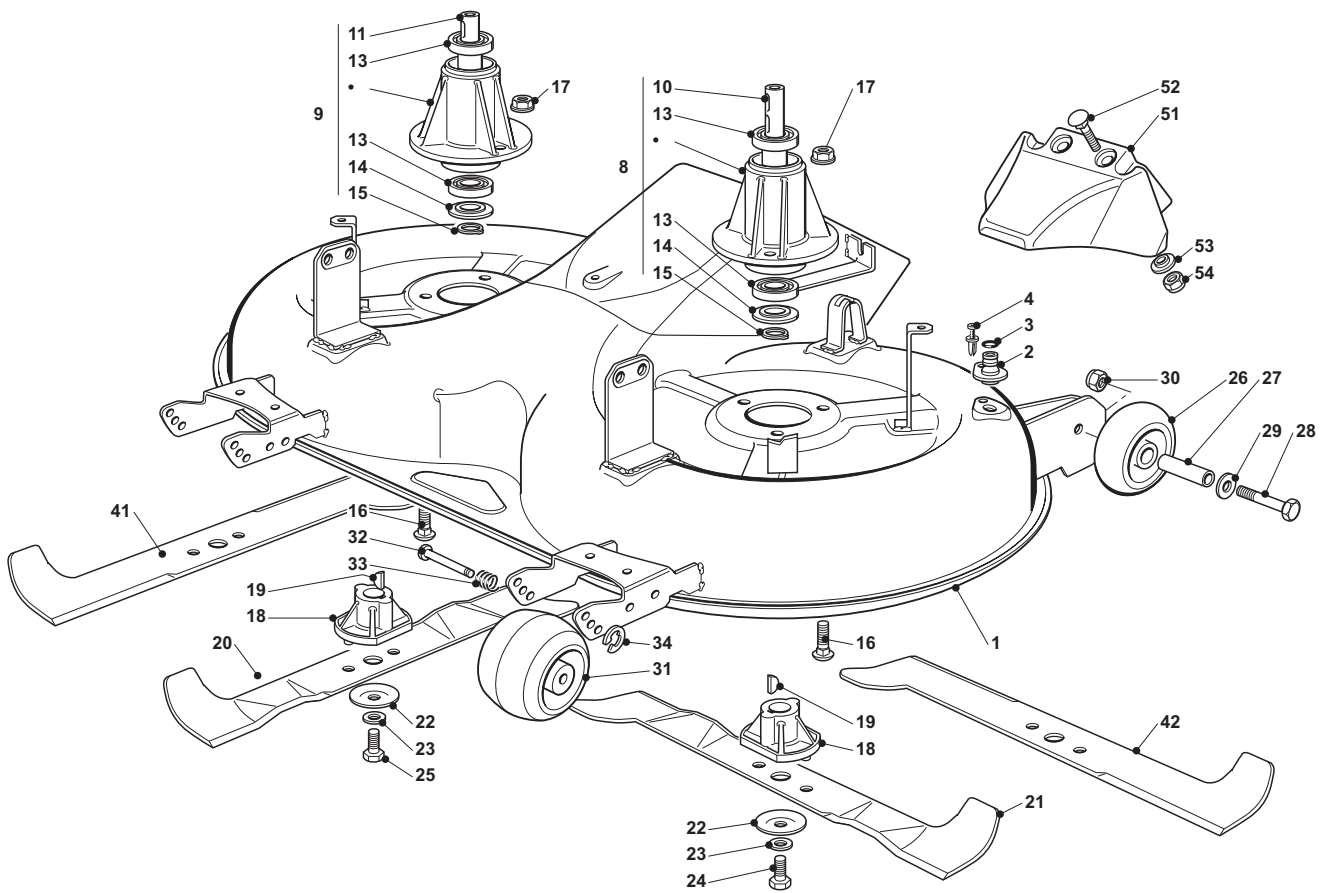


Cutting Plate Lifting

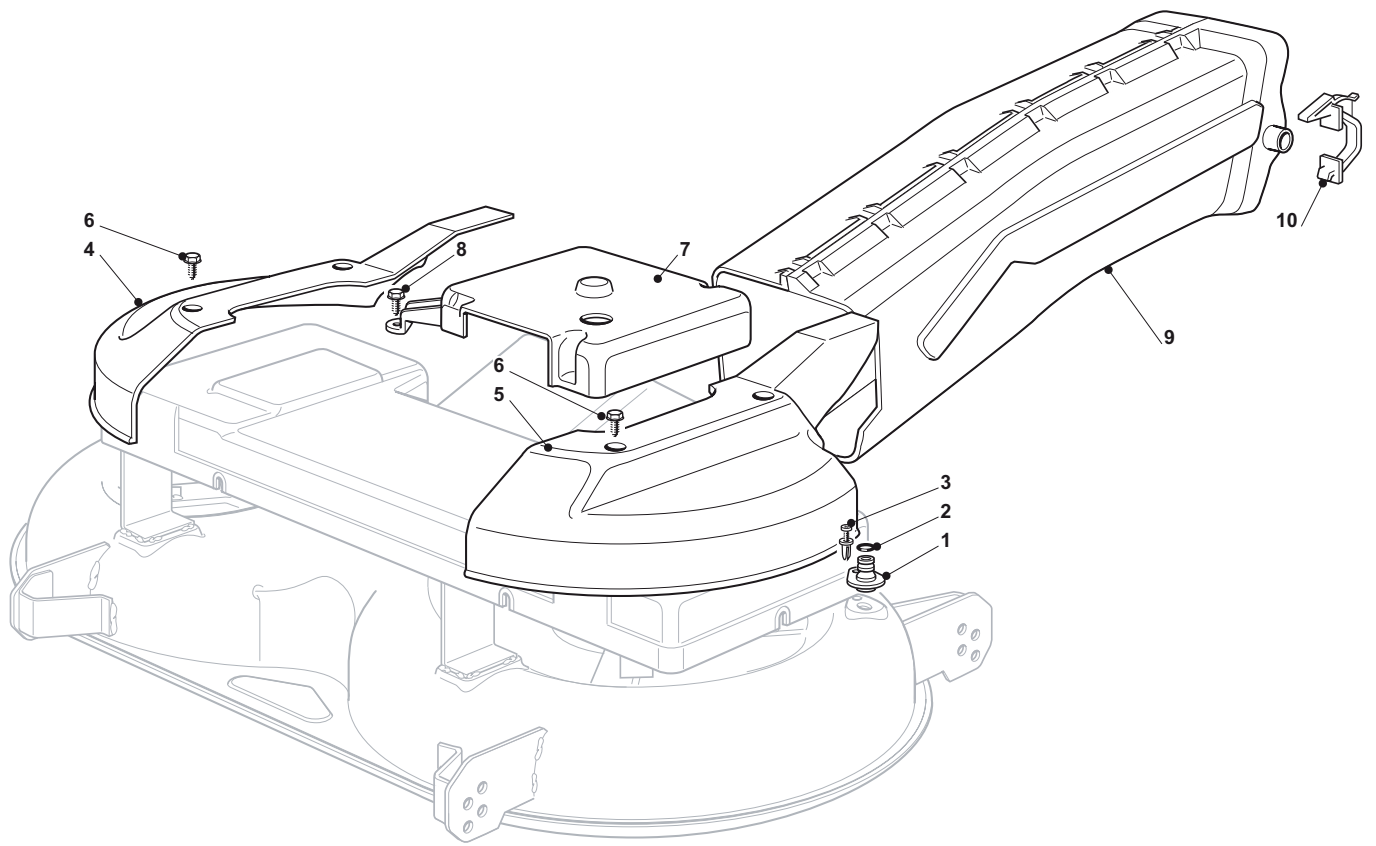
| POS | CODE | Q.TY | DESCRIZIONE | DESCRIPTION | DESCRIPTION | BESCHREIBUNG | NOTES |
|-----|-------------|------|----------------------|-------------------|--------------------|---------------------|-------|
| 1 | 382785181/1 | 1 | Supporto | Bracket | Support | Halter | |
| 2 | 12818690/0 | 2 | Vite | Screw | Vis | Schraube | |
| 3 | 12293201/0 | 2 | Dado | Nut | Ecrou | Mutter | |
| 4 | 125520009/0 | 1 | Asse | Axle | Axe | Achse | |
| 5 | 22672151/0 | 1 | Rondella | Washer | Rondelle | Scheibe | |
| 6 | 12436030/0 | 1 | Piastrina | Plate | Plaquette | Plattechen | |
| 7 | 325060037/0 | 1 | Camma | Cam | Came | Nocken | |
| 8 | 325394530/0 | 1 | Manopola | Knob | Poignee | Griff | |
| 9 | 112760600/0 | 1 | Vite | Screw | Vis | Schraube | |
| 10 | 325430267/0 | 1 | Molla | Spring | Ressort | Feder | |
| 11 | 22170600/0 | 1 | Distanziale | Spacer | Entretoise | Entfernungsstück | |
| 12 | 12789195/0 | 1 | Vite | Screw | Vis | Schraube | |
| 13 | 12154320/0 | 1 | Dado | Nut | Ecrou | Mutter | |
| 14 | 382000615/0 | 1 | Asse Sollevamento | Axle | Axe | Achse | |
| 15 | 325785355/0 | 2 | Supporto | Support | Support | Haltersatz | |
| 16 | 325034003/0 | 4 | Bronzina | Brass | Coussinet | Büchse | |
| 17 | 325785354/0 | 2 | Supporto | Support | Support | Halter | |
| 19 | 125943005/0 | 1 | Vite | Screw | Vis | Schraube | |
| 20 | 12295200/0 | 1 | Dado | Nut | Ecrou | Mutter | |
| 21 | 112815271/0 | 4 | Vite | Screw | Vis | Schraube | |
| 22 | 12523040/0 | 4 | Rosetta | Washer | Rondelle | Scheibe | |
| 23 | 12154510/0 | 4 | Dado | Nut | Ecrou | Mutter | |
| 31 | 82318155/0 | 1 | Leva Anter. Destra | Front Right Lever | Levier Ant. Droite | Rechter Vorderhebel | |
| 32 | 82318157/0 | 1 | Leva Anter. Sinistra | Front Left Lever | Levier Ant. Gauche | Linker Vorderhebel | |
| 33 | 25040605/0 | 4 | Bussola | Bush | Douille | Büchse | |
| 34 | 25318161/0 | 2 | Leva | Lever | Levier | Hebel | |
| 35 | 12691700/0 | 2 | Vite | Screw | Vis | Schraube | |
| 36 | 12521350/0 | 4 | Rondella | Washer | Rondelle | Scheibe | |
| 37 | 12155000/0 | 2 | Dado | Nut | Ecrou | Mutter | |
| 38 | 125510069/1 | 2 | Perno | Pin | Pivot | Bolzen | |
| 39 | 12295200/0 | 4 | Dado | Nut | Ecrou | Mutter | |
| 40 | 12156602/0 | 2 | Dado | Nut | Ecrou | Mutter | |
| 41 | 25670008/1 | 4 | Rondella | Washer | Rondelle | Scheibe | |
| 42 | 24487998/0 | 2 | Coppiglia | Cotter Pin | Goupille | Splint | |
| 43 | 82000477/2 | 2 | Asta Collegamento | Connecting Rod | Tige De Connexion | Verbindungsstab | |
| 44 | 125510055/1 | 2 | Perno | Pin | Pivot | Bolzen | |
| 45 | 12521350/0 | 2 | Rondella | Washer | Rondelle | Scheibe | |
| 46 | 12155000/0 | 2 | Dado | Nut | Ecrou | Mutter | |
| 47 | 12155000/0 | 2 | Dado | Nut | Ecrou | Mutter | |
| 48 | 12293200/0 | 2 | Dado | Nut | Ecrou | Mutter | |
| 49 | 25318153/1 | 2 | Leva Posteriore | Rear Lever | Levier Arriere | Hinterhebel | |
| 50 | 12609255/0 | 2 | Seeger | Seeger | Seeger | Seeger | |
| 51 | 325318223/0 | 2 | Leva | Gearshift | Levier | Hebel | |
| 52 | 125510117/0 | 4 | Perno | Pin | Pivot | Bolzen | |
| 53 | 25670011/0 | 4 | Rondella | Washer | Rondelle | Scheibe | |
| 54 | 12436050/0 | 4 | Piastrina | Plate | Plaque | Platte | |
| 55 | 25510056/0 | 2 | Perno | Pin | Pivot | Bolzen | |
| 56 | 25670008/1 | 4 | Rondella | Washer | Rondelle | Scheibe | |
| 57 | 12156602/0 | 2 | Dado | Nut | Ecrou | Mutter | |
| 58 | 12794985/0 | 2 | Vite | Screw | Vis | Schraube | |
| 59 | 12295200/0 | 2 | Dado | Nut | Ecrou | Mutter | |
| 60 | 25510070/0 | 2 | Perno | Pin | Pivot | Bolzen | |
| 61 | 12523090/0 | 2 | Rondella | Washer | Rondelle | Scheibe | |
| 62 | 24487998/0 | 2 | Coppiglia | Cotter Pin | Goupille | Splint | |
| 63 | 125510117/0 | 1 | Perno | Pin | Pivot | Bolzen | |
| 64 | 125510048/1 | 1 | Perno | Pin | Pivot | Bolzen | |
| 65 | 25670011/0 | 2 | Rondella | Washer | Rondelle | Scheibe | |
| 66 | 12436050/0 | 2 | Piastrina | Plate | Plaque | Platte | |
| 67 | 12521350/0 | 2 | Rondella | Washer | Rondelle | Scheibe | |



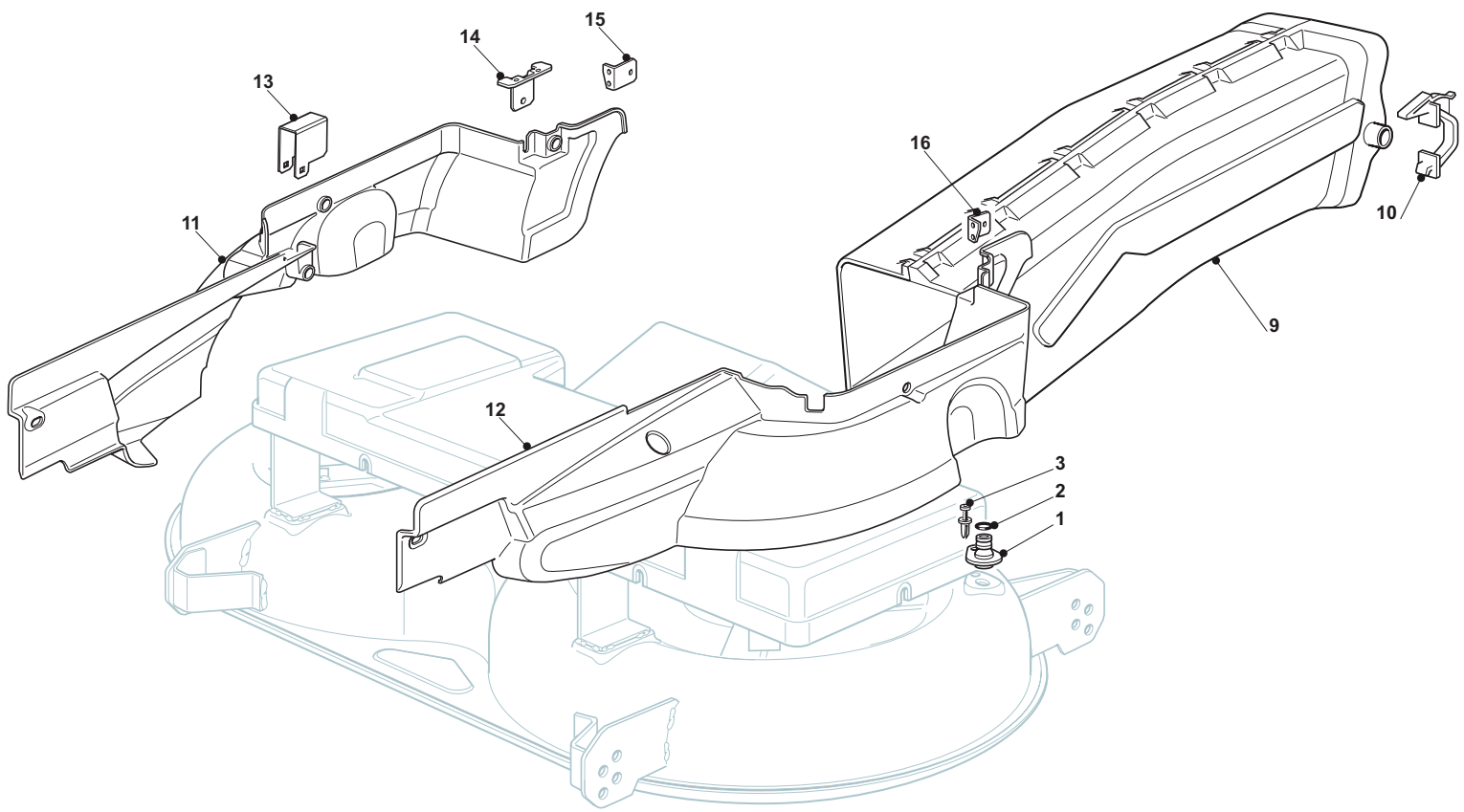
| Blades Engagement | | | | | | | |
|-------------------|-------------|------|-----------------|-------------|----------------|------------------|-------|
| POS | CODE | Q.TY | DESCRIZIONE | DESCRIPTION | DESCRIPTION | BESCHREIBUNG | NOTES |
| 1 | 82547003/2 | 1 | Piastra | Plate | Plate | Platte | |
| 2 | 12792611/0 | 4 | Vite | Screw | Vis | Schraube | |
| 3 | 12293201/0 | 4 | Dado | Nut | Ecrou | Mutter | |
| 4 | 82785084/1 | 1 | Supporto | Support | Support | Haltersatz | |
| 5 | 25601559/1 | 2 | Puleggia | Pulley | Poulie | Riemenscheibe | |
| 6 | 119216048/0 | 2 | Cuscinetto | Bearing | Roulement | Kuegellager | |
| 7 | 12610800/0 | 2 | Anello Elastico | Snap Ring | Anneau Ressort | Sprengring | |
| 8 | 12609200/0 | 2 | Seeger | Seeger | Seeger | Seeger | |
| 9 | 25650037/0 | 1 | Rinforzo | Stiffening | Reinforcement | Verstaerkung | |
| 10 | 12793102/0 | 2 | Vite | Screw | Vis | Schraube | |
| 11 | 12521350/0 | 2 | Rondella | Washer | Rondelle | Scheibe | |
| 12 | 12583500/0 | 2 | Grower | Grower | Grower | Grower | |
| 13 | 25160003/0 | 4 | Distanziale | Spacer | Entretoise | Distanzring | |
| 14 | 25038000/0 | 4 | Boccola | Bushing | Douille | Buchse | |
| 15 | 12691700/0 | 1 | Vite | Screw | Vis | Schraube | |
| 16 | 12691200/0 | 3 | Vite | Screw | Vis | Schraube | |
| 17 | 12521350/0 | 4 | Rondella | Washer | Rondelle | Scheibe | |
| 18 | 12155000/0 | 4 | Dado | Nut | Ecrou | Mutter | |
| 19 | 12793900/0 | 1 | Vite | Screw | Vis | Schraube | |
| 20 | 12293200/0 | 1 | Dado | Nut | Ecrou | Mutter | |
| 21 | 25601560/0 | 2 | Puleggia | Pulley | Poulie | Riemenscheibe | |
| 22 | 12139480/0 | 3 | Chiavetta | Key | Clavette | Keil | |
| 23 | 12793102/0 | 1 | Vite | Screw | Vis | Schraube | |
| 24 | 25670007/0 | 1 | Rosetta | Washer | Rondelle | Scheibe | |
| 25 | 12583500/0 | 1 | Grower | Grower | Grower | Grower | |
| 26 | 35065600/0 | 1 | Cinghia | Belt | Courroie | Keilriemen | |
| 27 | 12815200/0 | 3 | Vite | Screw | Vis | Schraube | |
| 28 | 12292102/0 | 3 | Dado | Nut | Ecrou | Mutter | |
| 29 | 12523060/0 | 1 | Rondella | Washer | Rondelle | Scheibe | |
| 30 | 325060128/0 | 1 | Carter | Case | Carter | Blech | |
| 31 | 12735110/0 | 6 | Vite | Screw | Vis | Schraube | |
| 32 | 25601550/0 | 1 | Puleggia | Pulley | Poulie | Riemenscheibe | |
| 33 | 12793102/0 | 1 | Vite | Screw | Vis | Schraube | |
| 34 | 25670007/0 | 1 | Rosetta | Washer | Rondelle | Scheibe | |
| 35 | 12583500/0 | 1 | Grower | Grower | Grower | Grower | |
| 36 | 25160002/0 | 1 | Distanziale | Spacer | Entretoise | Distanzring | |
| 37 | 25318115/1 | 1 | Leva Freno | Brake Lever | Levier Frein | Bremshebel | |
| 38 | 12793102/0 | 1 | Vite | Screw | Vis | Schraube | |
| 39 | 12583500/0 | 1 | Grower | Grower | Grower | Grower | |
| 40 | 12523070/0 | 1 | Rondella | Washer | Rondelle | Scheibe | |
| 41 | 25601555/0 | 1 | Puleggia | Pulley | Poulie | Riemenscheibe | |
| 42 | 25160007/0 | 1 | Distanziale | Spacer | Entretoise | Entfernungsstück | |
| 43 | 12818900/0 | 1 | Vite | Screw | Vis | Schraube | |
| 44 | 12523060/0 | 1 | Rondella | Washer | Rondelle | Scheibe | |
| 45 | 12155000/0 | 1 | Dado | Nut | Ecrou | Mutter | |
| 46 | 35062811/0 | 1 | Cinghia | Belt | Courroie | Keil Riemen | |
| 47 | 82004608/0 | 1 | Filo | Wire | Fil | Kabel | |



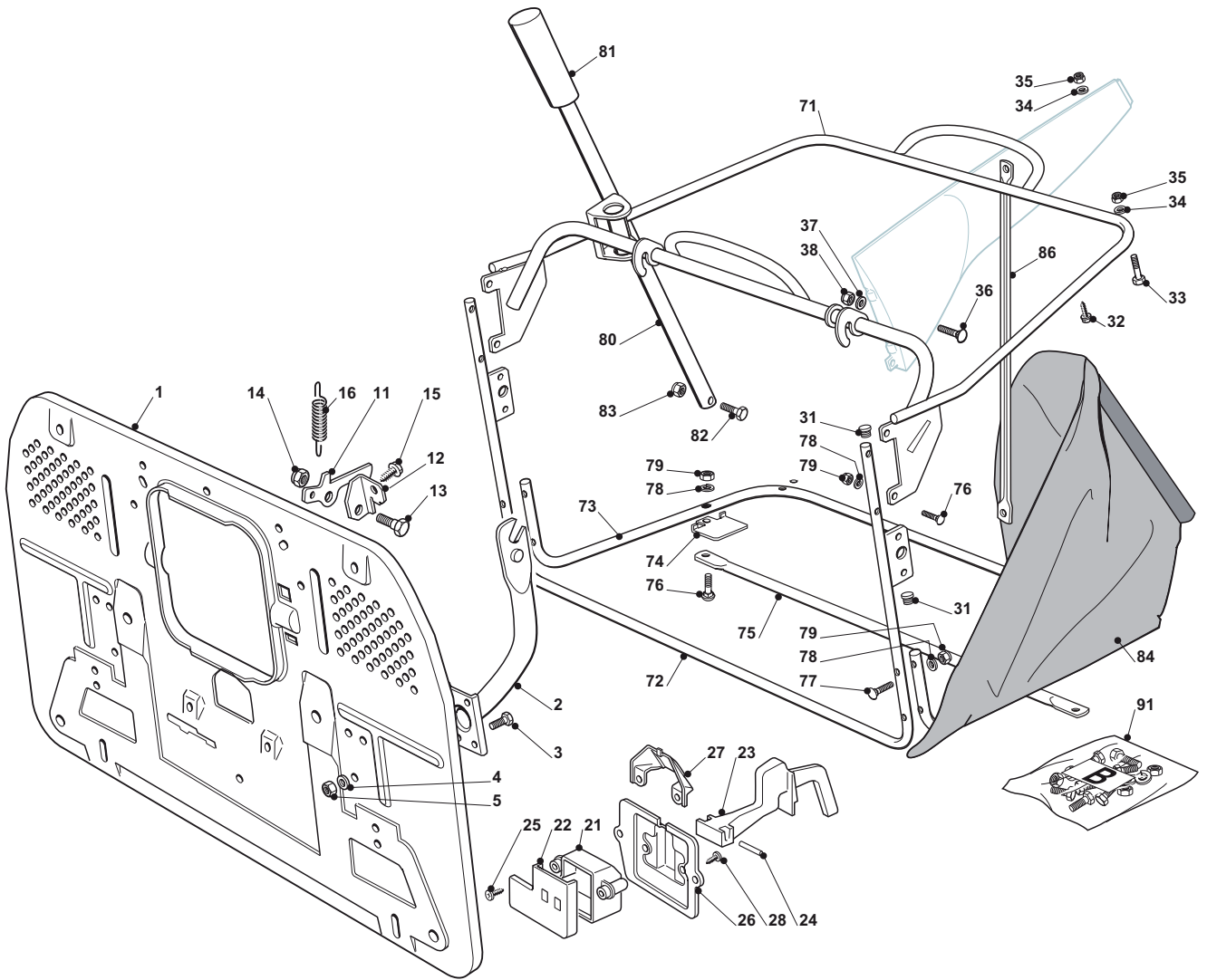
| Cutting Plate | | | | | | | |
|---------------|-------------|------|--------------------------------------|------------------------------|---------------------------------|---------------------------------|-------|
| POS | CODE | Q.TY | DESCRIZIONE | DESCRIPTION | DESCRIPTION | BESCHREIBUNG | NOTES |
| 1 | 382564131/0 | 1 | Piatto Di Taglio Nero | Cutting Plate Black | Plateau De Coupe Noire | Schneidwerkzeug Schwarz | * |
| 1 | 382564132/0 | 1 | Piatto Di Taglio Rosso | Cutting Plate Red | Plateau De Coupe Rouge | Schneidwerkzeug Rot | * |
| 1 | 382564133/0 | 1 | Piatto Di Taglio Giallo | Cutting Plate Yellow | Plateau De Coupe Jaune | Schneidwerkzeug Gelb | * |
| 2 | 25033060/0 | 2 | Attacco Tubo Acqua | Water Hose Connection | Raccord Tuyau D'Eau | Wasseranschluss | |
| 3 | 19035000/0 | 2 | Anello Or | O Ring | O Ring | O Ring | |
| 4 | 12500030/0 | 2 | Rivetto | Rivet | Rivet | Niet | |
| 8 | 82207200/1 | 1 | Ass. Flangia Principale | Main Shaft Support | Support Arbre Principal | Masserwellehauptsatz | |
| 9 | 82207201/2 | 1 | Ass. Flangia Secondaria | Secondary Shaft Support | Support Arbre Secondaire | Masserwelle Zweiteinsatz | |
| 10 | 25020800/1 | 1 | Albero Lama Principale | Main Blade Shaft | Arbre Lame Principal | Haupt Messerwelle | |
| 11 | 25020801/2 | 1 | Albero Lama Secondario | Secondary Blade Shaft | Arbre Lame Secondaire | Zweite Messerwelle | |
| 13 | 19216032/0 | 4 | Cuscinetto | Bearing | Roulement | Kuegellager | |
| 14 | 25160501/0 | 2 | Disco Parapolvere | Dust Cover | Protege-Poussiere | Staubschuttscheibe | |
| 15 | 12609260/0 | 2 | Seeger | Seeger | Seeger | Seeger | |
| 16 | 12818700/0 | 6 | Vite | Screw | Vis | Schraube | |
| 17 | 12154210/0 | 6 | Dado | Nut | Ecrou | Mutter | |
| 18 | 25463200/0 | 2 | Mozzo Coltello | Blade Hub | Moyeu Lame | Messerhalter | |
| 19 | 12139100/0 | 2 | Linguetta | Feather | Clavette | Keil | |
| 20 | 82004348/0 | 1 | Coltello Destro Mulching, Alettato | Right Blade Mulching, Winged | Lame Droite Mulching, Aillettee | Rechter Messer Mulching, Flügel | |
| 21 | 82004347/0 | 1 | Coltello Sinistro Mulching, Alettato | Left Blade Mulching, Winged | Lame Gauche Mulching, Aillettee | Linker Messer Mulching, Flügel | |
| 22 | 22160400/0 | 2 | Disco Elastico | Elastic Washer | Rondelle Elastique | Federscheibe | |
| 23 | 12523080/0 | 2 | Rosetta | Washer | Rondelle | Scheibe | |
| 24 | 12735694/0 | 1 | Vite | Screw | Vis | Schraube | |
| 25 | 12735695/1 | 1 | Vite | Screw | Vis | Schraube | |
| 26 | 182700003/0 | 2 | Ruotino Antiscalpo Ø 80 | Anti Scalp Wheel Ø 80 | Roulettes Antiscalp Ø 80 | Skalpierschutzrädchen Ø 80 | |
| 27 | 25510072/0 | 2 | Distanziale | Spacer | Entretoise | Entfernungsstück | |
| 28 | 12692050/0 | 2 | Vite | Screw | Vis | Schraube | |
| 29 | 12523060/0 | 2 | Rondella | Washer | Rondelle | Scheibe | |
| 30 | 12293201/0 | 2 | Dado | Nut | Ecrou | Mutter | |
| 31 | 182700004/0 | 2 | Ruotino Antiscalpo Ø 100 | Anti Scalp Wheel Ø 100 | Roulettes Antiscalp Ø 100 | Skalpierschutzrädchen Ø 100 | |
| 32 | 125510121/0 | 2 | Perno | Pin | Pivot | Bolzen | |
| 33 | 22450115/0 | 2 | Molla | Spring | Ressort | Feder | |
| 34 | 12000930/0 | 2 | Fissatore A Corona | Crown Fastener | Fixateur A Couronne | Kronescheibe | |
| 41 | 82004341/1 | 1 | Coltello Destro, Alettato | Right Blade, Winged | Lame Droite, Aillettee | Rechter Messer, Flügel | |
| 42 | 82004340/1 | 1 | Coltello Sinistro, Alettato | Left Blade, Winged | Lame Gauche, Aillettee | Linker Messer, Flügel | |
| 51 | 325140100/0 | 1 | Deflettore | Deflector | Deflecteur | Abweiser | |
| 52 | 12815210/0 | 2 | Vite | Screw | Vis | Schraube | |
| 53 | 25038002/1 | 2 | Boccola | Bush | Douille | Büchse | |
| 54 | 12154510/0 | 2 | Dado | Nut | Ecrou | Mutter | |



| Guards And Conveyor | | | | | | | |
|---------------------|-------------|------|--------------------|-----------------------|---------------------|-----------------|-------|
| POS | CODE | Q.TY | DESCRIZIONE | DESCRIPTION | DESCRIPTION | BESCHREIBUNG | NOTES |
| 1 | 25033060/0 | 2 | Attacco Tubo Acqua | Water Hose Connection | Raccord Tuyau D'Eau | Wasseranschluss | |
| 2 | 19035000/0 | 2 | Anello Or | O Ring | O Ring | O Ring | |
| 3 | 12500030/0 | 2 | Rivetto | Rivet | Rivet | Niet | |
| 4 | 25060113/0 | 1 | Carter Grigio | Guard Grey | Carter Gris | Blech Grun | * |
| 4 | 25060104/0 | 1 | Carter Nero | Guard Black | Carter Noire | Blech Schwarz | * |
| 5 | 25060114/0 | 1 | Carter Grigio | Guard Grey | Carter Gris | Blech Grun | * |
| 5 | 25060105/0 | 1 | Carter Nero | Guard Black | Carter Noire | Blech Schwarz | * |
| 6 | 12735403/0 | 4 | Vite | Screw | Vis | Schraube | |
| 7 | 25600049/0 | 1 | Protezione | Guard | Protection | Schutz | |
| 8 | 12735403/0 | 3 | Vite | Screw | Vis | Schraube | |
| 9 | 382108017/0 | 1 | Convogliatore | Conveyor | Convoyeur | Leitblechsatz | |
| 10 | 25774373/0 | 2 | Staffa | Clamp | Bride | Bride | |



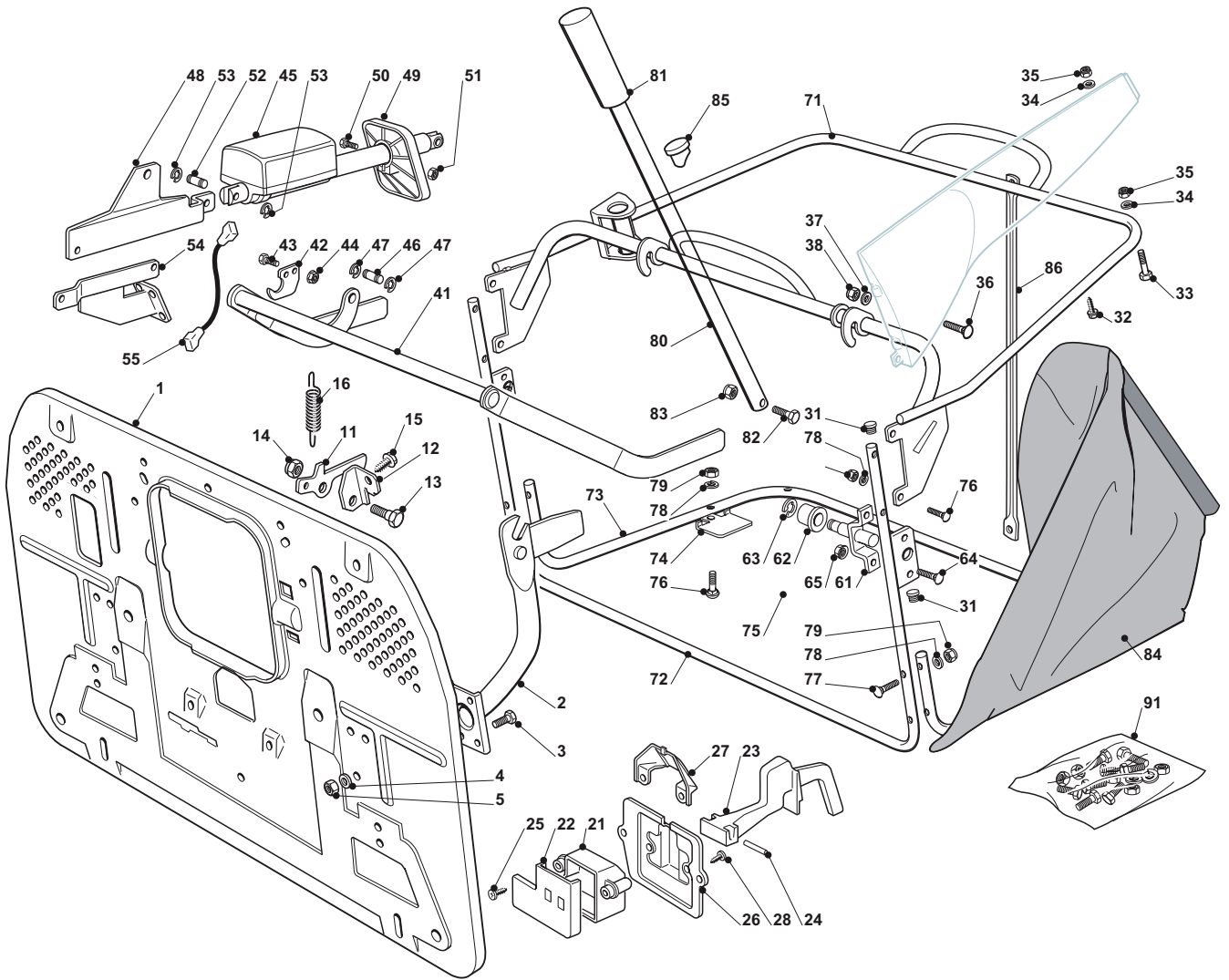
| Guards And Conveyor | | | | | | | |
|---------------------|-------------|------|--------------------|-----------------------|---------------------|-----------------|-------|
| POS | CODE | Q.TY | DESCRIZIONE | DESCRIPTION | DESCRIPTION | BESCHREIBUNG | NOTES |
| 1 | 25033060/0 | 2 | Attacco Tubo Acqua | Water Hose Connection | Raccord Tuyau D'Eau | Wasseranschluss | |
| 2 | 19035000/0 | 2 | Anello Or | O Ring | O Ring | O Ring | |
| 3 | 12500030/0 | 2 | Rivetto | Rivet | Rivet | Niet | |
| 9 | 382108017/0 | 1 | Convogliatore | Conveyor | Convoyeur | Leitblechsatz | |
| 10 | 25774373/0 | 2 | Staffa | Clamp | Bride | Bride | |
| 11 | 325060150/0 | 1 | Protezione | Protection | Protection | Schutz | |
| 12 | 325060151/0 | 1 | Protezione | Protection | Protection | Schutz | |
| 13 | 325774267/0 | 2 | Staffa | Clamp | Etrier | Bride | |
| 14 | 325774423/0 | 2 | Staffa | Clamp | Etrier | Bride | |
| 15 | 325774425/0 | 1 | Staffa | Clamp | Etrier | Bride | |
| 16 | 325774421/0 | 1 | Staffa | Clamp | Etrier | Bride | |



Grasscatcher

for model with manuel grasscatcher lifting

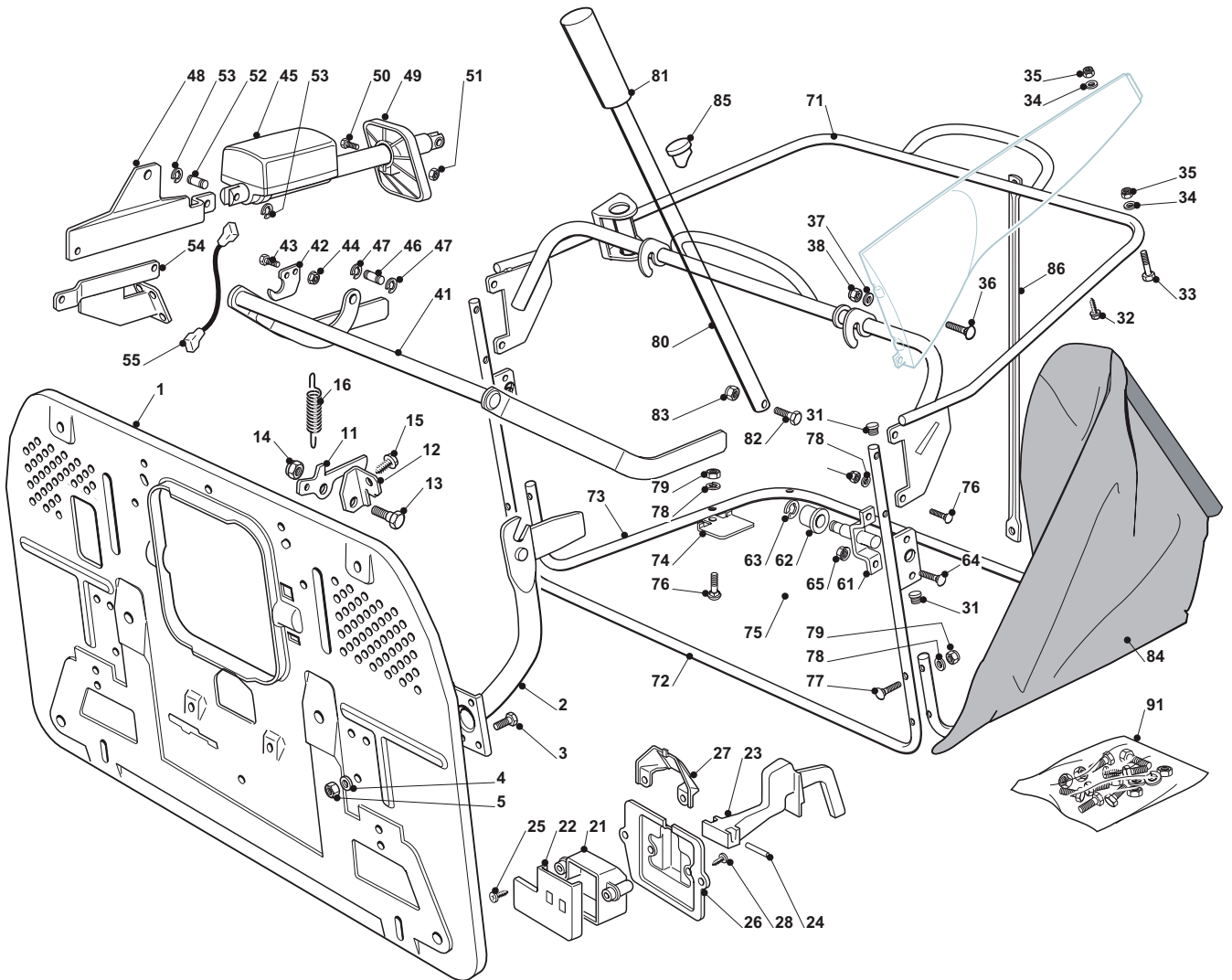
| POS | CODE | Q.TY | DESCRIZIONE | DESCRIPTION | DESCRIPTION | BESCHREIBUNG | NOTES |
|-----|-------------|------|----------------------|------------------|----------------------|---------------------|-------|
| 1 | 382547051/0 | 1 | Piastra | Plate | Plaque | Platte | |
| 2 | 82774225/1 | 2 | Supporto | Support | Support | Halter | |
| 3 | 12793102/0 | 6 | Vite | Screw | Vis | Schraube | |
| 4 | 12523060/0 | 6 | Rondella | Washer | Rondelle | Scheibe | |
| 5 | 12293201/0 | 6 | Dado | Nut | Ecrou | Mutter | |
| 11 | 325774417/0 | 1 | Staffa | Clamp | Etrier | Bride | |
| 12 | 325755031/1 | 1 | Squadretta | Bracket | Equerre-Support | Winkel | |
| 13 | 125510080/1 | 1 | Perno | Pin | Pivot | Bolzen | |
| 14 | 12292102/0 | 1 | Dado | Nut | Ecrou | Mutter | |
| 15 | 12735122/0 | 1 | Vite | Screw | Vis | Schraube | |
| 16 | 27430579/0 | 1 | Molla | Spring | Ressort | Feder | |
| 21 | 25600041/0 | 1 | Protezione Micro | Micro Protection | Protection Micro | Schutz | |
| 22 | 25600042/0 | 1 | Coperchio Protezione | Protection Cover | Couvercle Protection | Schutzdeckel | |
| 23 | 25318124/0 | 1 | Leva | Lever | Levier | Hebel | |
| 24 | 12400030/0 | 1 | Perno | Pin | Pivot | Bolzen | |
| 25 | 12728510/0 | 1 | Vite | Screw | Vis | Schraube | |
| 26 | 25785272/0 | 1 | Protezione Micro | Micro Protection | Protection Micro | Schutz | |
| 27 | 25600048/0 | 1 | Chiusura Deflettore | Deflector Cover | Couvercle Deflecteur | Abweiserdeckel | |
| 28 | 12728450/0 | 2 | Vite | Screw | Vis | Schraube | |
| 31 | 18566110/0 | 4 | Puntale | Cap | Bouchon | Pfropfen | |
| 32 | 12735410/0 | 4 | Vite | Screw | Vis | Schraube | |
| 33 | 12689500/0 | 2 | Vite | Screw | Vis | Schraube | |
| 34 | 12521330/0 | 4 | Rosetta | Washer | Rondelle | Scheibe | |
| 35 | 12154510/0 | 4 | Dado | Nut | Ecrou | Mutter | |
| 36 | 12815220/0 | 2 | Vite | Screw | Vis | Schraube | |
| 37 | 12521330/0 | 2 | Rosetta | Washer | Rondelle | Scheibe | |
| 38 | 12154510/0 | 2 | Dado | Nut | Ecrou | Mutter | |
| 71 | 382800123/1 | 1 | Telaio Superiore | Upper Frame | Chassis Superieur | Obererrahmen | |
| 72 | 382800089/1 | 1 | Telaio Bocca Sacco | Front Frame | Chassis Avant | Vorderrahmen | |
| 73 | 325800031/0 | 1 | Telaio Inferiore | Lower Frame | Chassis Inferieur | Unterrahmen | |
| 74 | 25547131/0 | 1 | Piastrina | Plate | Plaque | Platte | |
| 75 | 382650039/0 | 1 | Rinforzo Inferiore | Lower Stiffening | Renforcement Super. | Obere Verstaerkung | |
| 76 | 12815220/0 | 6 | Vite | Screw | Vis | Schraube | |
| 77 | 12815245/0 | 4 | Vite | Screw | Vis | Schraube | |
| 78 | 12521330/0 | 10 | Rosetta | Washer | Rondelle | Scheibe | |
| 79 | 12154510/0 | 10 | Dado | Nut | Ecrou | Mutter | |
| 80 | 25869029/1 | 1 | Tubo | Rod | Tige | Stange | |
| 81 | 25394508/0 | 1 | Manopola | Handle | Poingee | Griff | |
| 82 | 12674550/0 | 1 | Vite | Screw | Vis | Schraube | |
| 83 | 12154510/0 | 1 | Dado | Nut | Ecrou | Mutter | |
| 84 | 182105945/0 | 1 | Sacco | Grasscatcher | Sac | Sack | |
| 86 | 325650159/0 | 1 | Rinforzo Posteriore | Rear Stiffening | Renforcement Arriere | Zurück Verstaerkung | |
| 91 | 382180116/0 | 1 | Dotazione Viteria | Screws Outfit | Ensemble Des Vis | Schraubenausrüstung | |



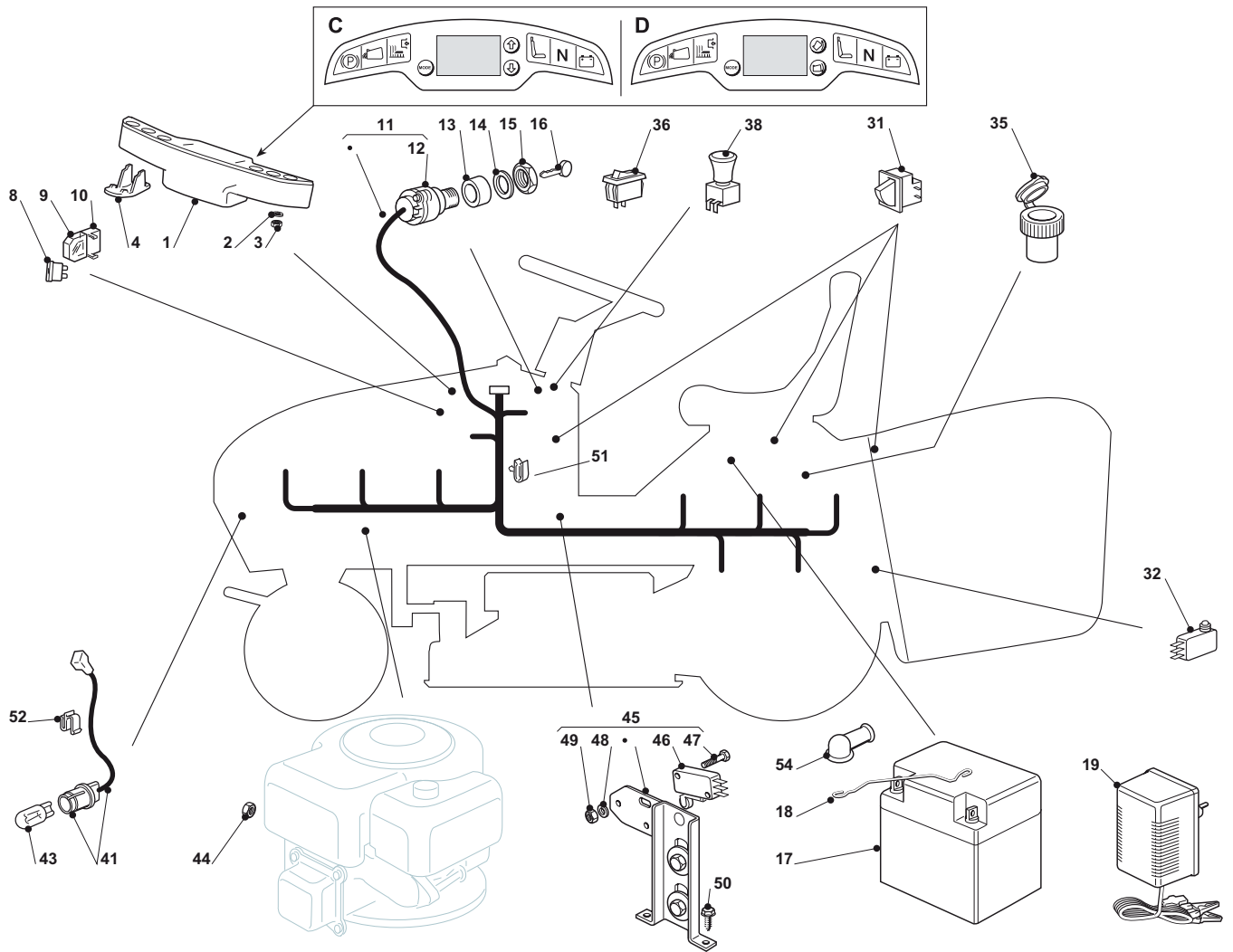
Grasscatcher

for model with electrical grasscatcher lifting

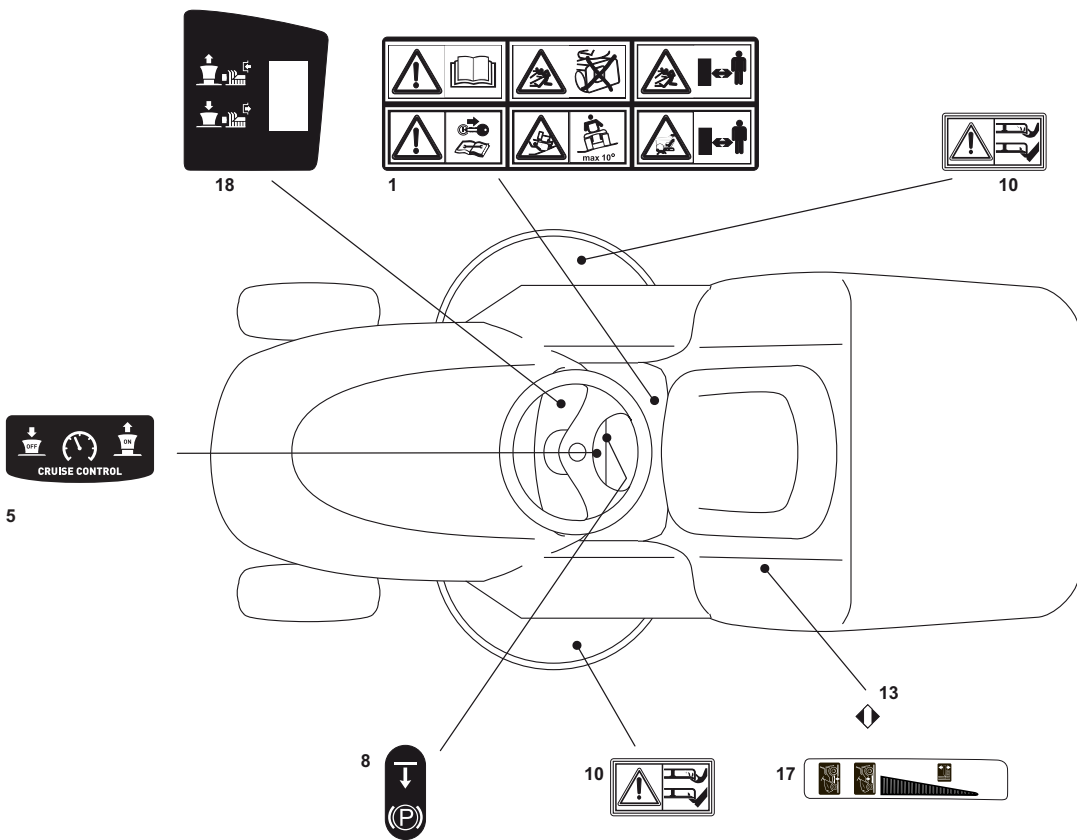
| POS | CODE | Q.TY | DESCRIZIONE | DESCRIPTION | DESCRIPTION | BESCHREIBUNG | NOTES |
|-----|-------------|------|----------------------|------------------|----------------------|--------------------|-------|
| 1 | 382547053/0 | 1 | Piastra | Plate | Plaque | Platte | |
| 2 | 82774245/0 | 2 | Supporto | Support | Support | Halter | |
| 3 | 12793102/0 | 6 | Vite | Screw | Vis | Schraube | |
| 4 | 12523060/0 | 6 | Rondella | Washer | Rondelle | Scheibe | |
| 5 | 12293201/0 | 6 | Dado | Nut | Ecrou | Mutter | |
| 11 | 325774417/0 | 1 | Staffa | Clamp | Etrier | Bride | |
| 12 | 325755031/1 | 1 | Squadretta | Bracket | Equerre-Support | Winkel | |
| 13 | 125510080/1 | 1 | Perno | Pin | Pivot | Bolzen | |
| 14 | 12292102/0 | 1 | Dado | Nut | Ecrou | Mutter | |
| 15 | 12735122/0 | 1 | Vite | Screw | Vis | Schraube | |
| 16 | 27430579/0 | 1 | Molla | Spring | Ressort | Feder | |
| 21 | 25600041/0 | 1 | Protezione Micro | Micro Protection | Protection Micro | Schutz | |
| 22 | 25600042/0 | 1 | Coperchio Protezione | Protection Cover | Couvercle Protection | Schutzdeckel | |
| 23 | 25318124/0 | 1 | Leva | Lever | Levier | Hebel | |
| 24 | 12400030/0 | 1 | Perno | Pin | Pivot | Bolzen | |
| 25 | 12728510/0 | 1 | Vite | Screw | Vis | Schraube | |
| 26 | 25785272/0 | 1 | Protezione Micro | Micro Protection | Protection Micro | Schutz | |
| 27 | 25600048/0 | 1 | Chiusura Deflettore | Deflector Cover | Couvercle Deflecteur | Abweiserdeckel | |
| 28 | 12728450/0 | 2 | Vite | Screw | Vis | Schraube | |
| 31 | 18566110/0 | 4 | Puntale | Cap | Bouchon | Pfropfen | |
| 32 | 12735410/0 | 4 | Vite | Screw | Vis | Schraube | |
| 33 | 12689500/0 | 2 | Vite | Screw | Vis | Schraube | |
| 34 | 12521330/0 | 4 | Rosetta | Washer | Rondelle | Scheibe | |
| 35 | 12154510/0 | 4 | Dado | Nut | Ecrou | Mutter | |
| 36 | 12815220/0 | 2 | Vite | Screw | Vis | Schraube | |
| 37 | 12521330/0 | 2 | Rosetta | Washer | Rondelle | Scheibe | |
| 38 | 12154510/0 | 2 | Dado | Nut | Ecrou | Mutter | |
| 41 | 82000507/0 | 1 | Asse Sollevamento | Axle | Axe | Achse | |
| 42 | 25774317/0 | 2 | Piastrina | Plate | Plaque | Platte | |
| 43 | 12815210/0 | 4 | Vite | Screw | Vis | Schraube | |
| 44 | 12154510/0 | 4 | Dado | Nut | Ecrou | Mutter | |
| 45 | 18001000/0 | 1 | Attuatore | Actuator | Actuateur | Aktuator | |
| 46 | 25510083/0 | 1 | Perno | Pin | Pivot | Bolzen | |
| 47 | 12000955/0 | 2 | Anello Elastico | Snap Ring | Anneau Ressort | Sprengring | |
| 48 | 25785197/0 | 1 | Supporto Attuatore | Support | Support | Halter | |
| 49 | 25600060/0 | 1 | Protezione Attuatore | Protection | Protection | Schutz | |
| 50 | 12727795/0 | 1 | Vite | Screw | Vis | Schraube | |
| 51 | 12154330/0 | 1 | Dado | Nut | Ecrou | Mutter | |
| 52 | 25510083/0 | 1 | Perno | Pin | Pivot | Bolzen | |
| 53 | 12000955/0 | 2 | Anello Elastico | Snap Ring | Anneau Ressort | Sprengring | |
| 54 | 82650209/0 | 1 | Rinforzo | Stiffening | Reinforcement | Verstaerkung | |
| 55 | 125065030/0 | 1 | Cavo Collegamento | Connecting Cable | Cable De Connexion | Verbindungskabel | |
| 61 | 82785147/0 | 2 | Supporto Fulcro | Support | Support | Halter | |
| 62 | 25690001/0 | 2 | Rullino | Roll | Rouleau | Walze | |
| 63 | 12000956/0 | 2 | Anello Elastico | Snap Ring | Anneau Ressort | Sprengring | |
| 64 | 12818690/0 | 4 | Vite | Screw | Vis | Schraube | |
| 65 | 12293201/0 | 4 | Dado | Nut | Ecrou | Mutter | |
| 71 | 382800123/1 | 1 | Telaio Superiore | Upper Frame | Chassis Superieur | Obererrahmen | |
| 72 | 382800089/1 | 1 | Telaio Bocca Sacco | Front Frame | Chassis Avant | Vorderrahmen | |
| 73 | 325800031/0 | 1 | Telaio Inferiore | Lower Frame | Chassis Inferieur | Unterrahmen | |
| 74 | 25547131/0 | 1 | Piastrina | Plate | Plaque | Platte | |
| 75 | 382650039/0 | 1 | Rinforzo Inferiore | Lower Stiffening | Renforcement Super. | Obere Verstaerkung | |
| 76 | 12815220/0 | 6 | Vite | Screw | Vis | Schraube | |
| 77 | 12815245/0 | 4 | Vite | Screw | Vis | Schraube | |
| 78 | 12521330/0 | 10 | Rosetta | Washer | Rondelle | Scheibe | |
| 79 | 12154510/0 | 10 | Dado | Nut | Ecrou | Mutter | |
| 80 | 25869029/1 | 1 | Tubo | Rod | Tige | Stange | |
| 81 | 25394508/0 | 1 | Manopola | Handle | Poingee | Griff | |
| 82 | 12674550/0 | 1 | Vite | Screw | Vis | Schraube | |



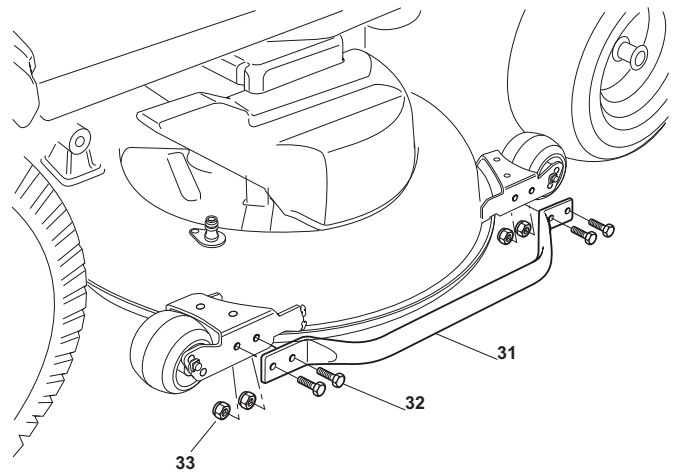
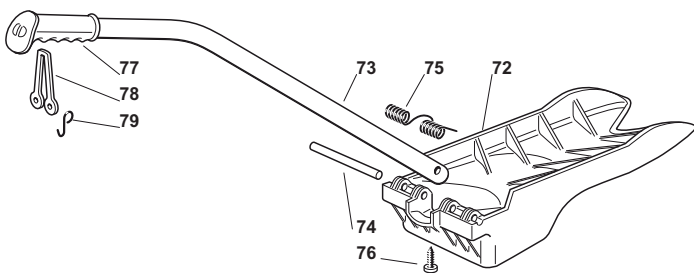
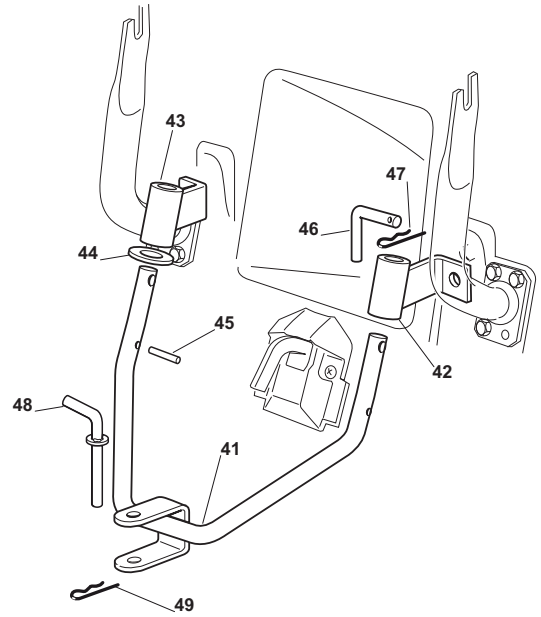
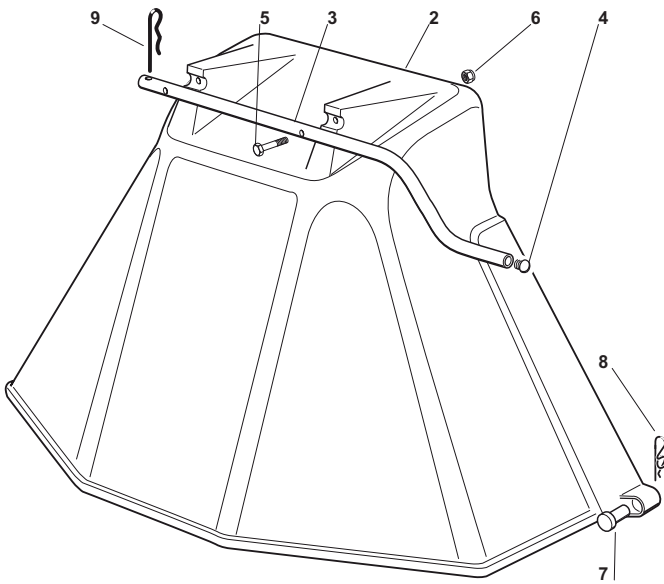
| Electrical Parts | | | | for model with electrical grasscatcher lifting | | | |
|------------------|-------------|------|---------------------|--|----------------------|---------------------|-------|
| POS | CODE | Q.TY | DESCRIZIONE | DESCRIPTION | DESCRIPTION | BESCHREIBUNG | NOTES |
| 83 | 12154510/0 | 1 | Dado | Nut | Ecrou | Mutter | |
| 84 | 182105945/0 | 1 | Sacco | Grasscatcher | Sac | Sack | |
| 85 | 25120232/0 | 1 | Tappo | Cap | Bouchon | Verschluss | |
| 86 | 325650159/0 | 1 | Rinforzo Posteriore | Rear Stiffening | Renforcement Arriere | Zurück Verstaerkung | |
| 91 | 382180117/0 | 1 | Dotazione Viteria | Screws Outfit | Ensemble Des Vis | Schraubenausrüstung | |



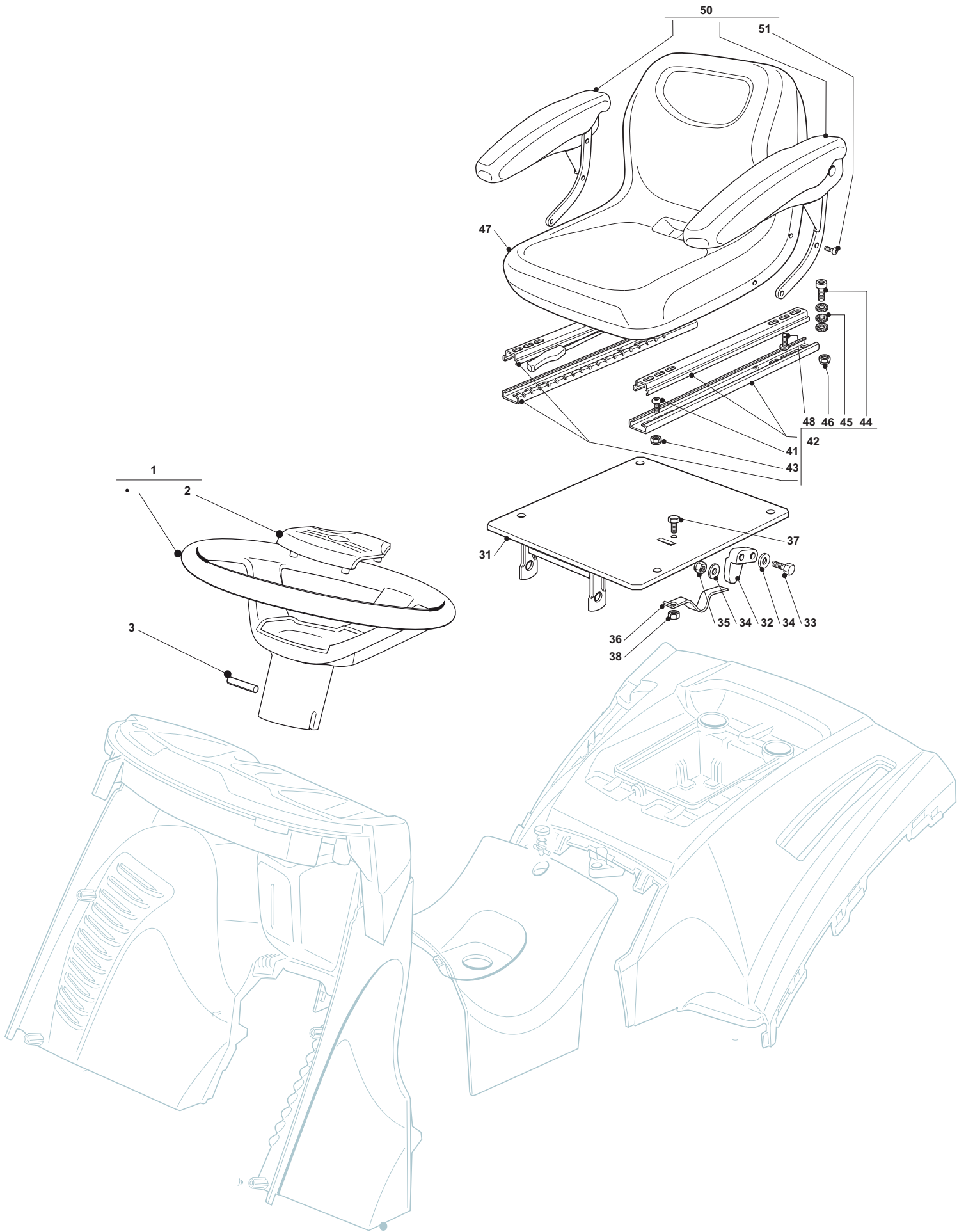
| Electrical Parts | | | | | | | |
|------------------|--------------|------|-------------------------|----------------------------|------------------------------|--------------------------|--|
| POS | CODE | Q.TY | DESCRIZIONE | DESCRIPTION | DESCRIPTION | BESCHREIBUNG | NOTES |
| 1 | 382722423/2 | 1 | Schede + Protezioni (C) | Cards + Guards (C) | Cartes + Protections (C) | Karte + Schutze (C) | |
| 1 | 382722422/3 | 1 | Schede + Protezioni (D) | Cards + Guards (D) | Cartes + Protections (D) | Karte + Schutze (D) | |
| 2 | 12521320/0 | 2 | Rosetta | Washer | Rondelle | Scheibe | |
| 3 | 12154330/0 | 2 | Dado | Nut | Ecrou | Mutter | |
| 4 | 25031501/0 | 1 | Deflettore Buzzer | Deflector | Deflecteur | Abweiser | |
| 8 | 33340040/0 | 1 | Fusibile 10A | Fuse 10A | Fusible 10A | Sicherung 10A | only for models with man. grasscatcher lifting |
| 8 | 33340036/0 | 1 | Fusibile 25 A | Fuse 25 A | Fusible 25 A | Sicherung 25 A | only for models with man. grasscatcher lifting |
| 9 | 33215000/0 | 2 | Coperchio | Cover | Couvercle | Deckel | only for models with man. grasscatcher lifting |
| 10 | 33500007/0 | 2 | Portafusibile | Fuse Carrier | Tableau De Fusible | Sicherungshalter | only for models with man. grasscatcher lifting |
| 8 | 33340040/0 | 1 | Fusibile 10A | Fuse 10A | Fusible 10A | Sicherung 10A | only for models with ele. grasscatcher lifting |
| 8 | 33340036/0 | 1 | Fusibile 25 A | Fuse 25 A | Fusible 25 A | Sicherung 25 A | only for models with ele. grasscatcher lifting |
| 8 | 33340035/0 | 1 | Fusibile 15 A | Fuse 15 A | Fusible 15 A | Sicherung 15 A | only for models with ele. grasscatcher lifting |
| 9 | 33215000/0 | 3 | Coperchio | Cover | Couvercle | Deckel | only for models with ele. grasscatcher lifting |
| 10 | 33500007/0 | 3 | Portafusibile | Fuse Carrier | Tableau De Fusible | Sicherungshalter | only for models with ele. grasscatcher lifting |
| 11 | 182040179/0 | 1 | Cablaggio (B&S) | Cables Ass.Y (B&S) | Ens. Cablages (B&S) | Kabelsatz (B&S) | only for models with Briggs & Stratton and Kohler engine |
| 11 | 182040180/0 | 1 | Cablaggio (Honda) | Cables Ass.Y (Honda) | Ens. Cablages (Honda) | Kabelsatz (Honda) | only for models with Honda engines |
| 12 | 18450072/0 | 1 | Interruttore Avviam. | Starting Switch | Interrupteur Demarr. | Schalter | |
| 13 | 18550136/0 | 1 | Distanziale | Spacer | Entretoise | Distantring | |
| 14 | 18550135/0 | 1 | Rondella | Washer | Rondelle | Scheibe | |
| 15 | 18400862/0 | 1 | Ghiera | Ringnut | Embout | Nutmutter | |
| 16 | 18210022/0 | 1 | Chiave Avviamento | Starting Key | Clef A Demarrage | Schlüssel Für Start | |
| 17 | 118120057/0 | 1 | Batteria | Battery | Batterie | Batterie | |
| 18 | 25430230/0 | 1 | Molla | Spring | Ressort | Feder | |
| 19 | 182180090/0 | 1 | Carica Batterie | Battery Charger | Chargeur De Batteries | Batterieladegerät | EU plug |
| 19 | 182180091/0 | 1 | Carica Batterie (U.K.) | Battery Charger (U.K.) | Chargeur De Batteries (U.K.) | Batterieladegerät (U.K.) | UK plug |
| 31 | 119410615/0 | 3 | Micro Interruttore | Microswitch | Microinterrupteur | Mikroschalter | |
| 32 | 19410605/1 | 1 | Micro Sacco Pieno | Full Grasscatc. Micro | Micro Bac Plein | Vollkorb Vorrichtung | |
| 35 | 9400-0317-01 | 1 | Presca Ausiliaria | Auxiliary Accessory Socket | Prise Auxiliaire | Zubehörsteckdose | |
| 36 | 18450060/1 | 1 | Interruttore Fari | Farilamp Switch | Interrupteur Phares | Lichten Schalter | |
| 38 | 18450068/0 | 1 | Interruttore Frizione | Clutch Switch | Interrupteur Embrajage | Kupplung Schalter | |
| 41 | 82040073/0 | 1 | Cavo Fari | Cable | Cables | Kabel | |
| 43 | 18459100/0 | 2 | Lampada | Farilamp For Lights | Lampe Pour Phares | Lampenfassun | |
| 44 | 12361005/0 | 1 | Dado | Nut | Ecrou | Mutter | |
| 45 | 382394853/0 | 1 | Ass. Micro | Switch Ass.Y | Micro. Ens. | Mikrosatz | |
| 46 | 19410609/0 | 1 | Interrutt. Folle | Microswitch | Microinterrupteur | Mikroschalter | |
| 47 | 12735602/0 | 2 | Vite | Screw | Vis | Schraube | |
| 48 | 12581100/0 | 2 | Grower | Grower | Grower | Grower | |
| 49 | 12290791/0 | 2 | Dado | Nut | Ecrou | Mutter | |
| 50 | 12735110/0 | 2 | Vite | Screw | Vis | Schraube | |
| 51 | 33320506/0 | 5 | Fermacavo | Fairlead | Fixation Cable | Kabelbefestigung | |
| 52 | 33320504/0 | 1 | Fermacavo | Fairlead | Fixation Cable | Kabelbefestigung | |
| 54 | 18564864/1 | 1 | Cappuccio | Protection | Capuchon | Stecker | |



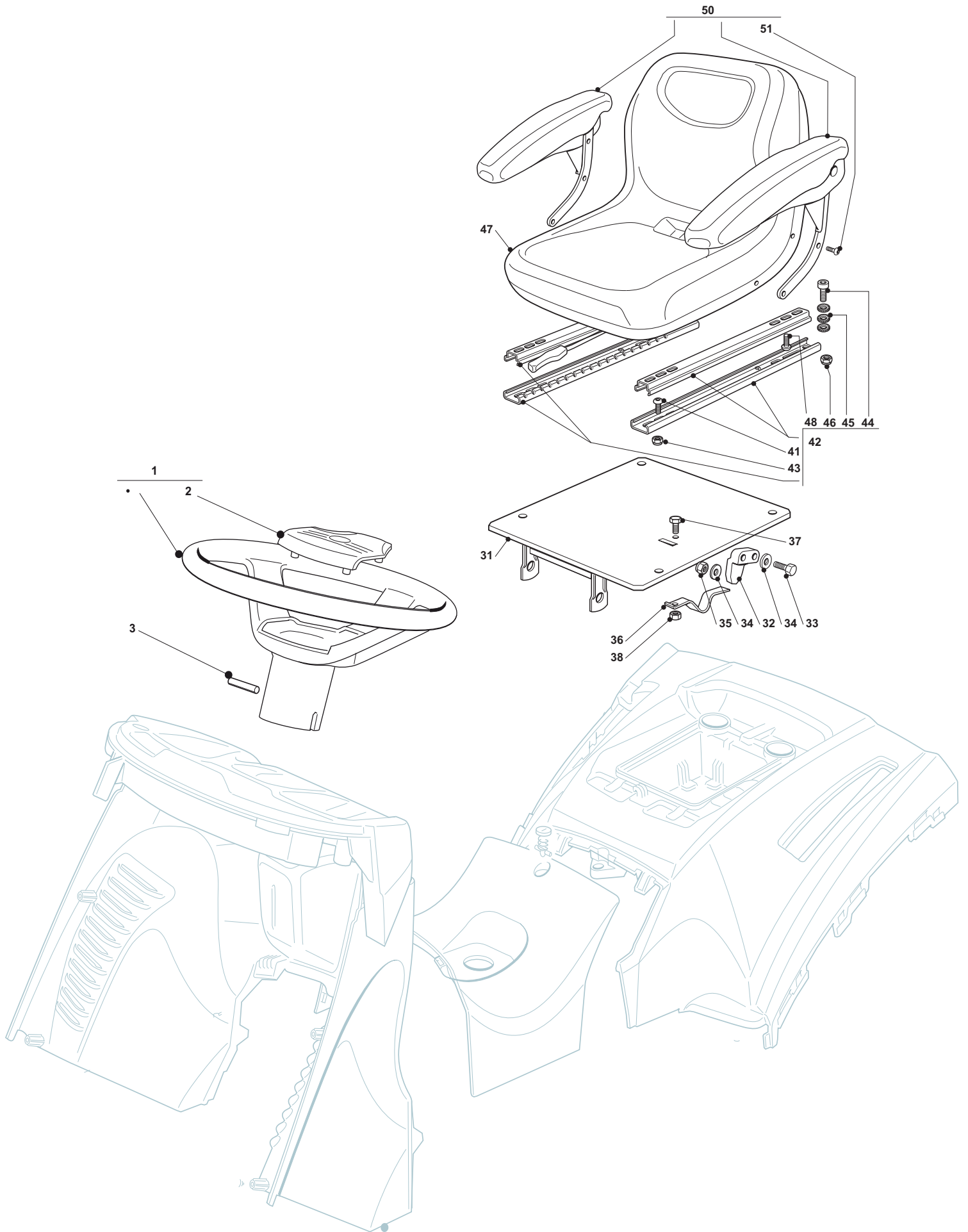
| Labels | | | | | | | |
|--------|-------------|------|-------------|-------------|-------------|--------------|-------|
| POS | CODE | Q.TY | DESCRIZIONE | DESCRIPTION | DESCRIPTION | BESCHREIBUNG | NOTES |
| 1 | 14361553/0 | 1 | Etichetta | Label | Etiquette | Klebzettel | |
| 5 | 114365612/0 | 1 | Etichetta | Label | Etiquette | Klebzettel | |
| 10 | 114356699/1 | 2 | Etichetta | Label | Etiquette | Klebzettel | |
| 13 | 14357913/0 | 1 | Etichetta | Label | Etiquette | Klebzettel | |
| 17 | 114363414/0 | 1 | Etichetta | Label | Etiquette | Klebzettel | |
| 18 | 14360715/2 | 1 | Etichetta | Label | Etiquette | Klebzettel | |



| Optionals On Request | | | | | | | |
|----------------------|-------------|------|---------------------------|-----------------------------|--------------------------------|-------------------------------|-------|
| POS | CODE | Q.TY | DESCRIZIONE | DESCRIPTION | DESCRIPTION | BESCHREIBUNG | NOTES |
| 2 | 82400003/1 | 1 | Protezione Uscita | Ejection Guard | Protection Sortie | Auswurfschutz | |
| 3 | 25869043/0 | 1 | Tube Di Aggancio | Support | Sopport | Halter | |
| 4 | 18566112/0 | 2 | Puntale | Cap | Embout | Druckstück | |
| 5 | 12689515/0 | 2 | Vite | Screw | Vis | Schraube | |
| 6 | 12154510/0 | 2 | Dado | Nut | Ecrou | Mutter | |
| 7 | 25510022/0 | 2 | Perno | Pin | Pivot | Bolzen | |
| 8 | 24487998/0 | 2 | Coppiglia | Cotter Pin | Goupille | Splint | |
| 9 | 24487999/0 | 1 | Coppiglia | Cotter Pin | Goupille | Split | |
| 31 | 325869081/0 | 2 | Protezione | Guard | Protection | Schutze | |
| 32 | 12793102/0 | 6 | Vite | Screw | Vis | Schraube | |
| 33 | 12155000/0 | 6 | Dado | Nut | Ecrou | Mutter | |
| 41 | 382033113/0 | 1 | Barra | Rod | Barre | Stange | |
| 42 | 382774265/0 | 1 | Staffa Supporto Traino Dx | Bracket Right Hitch Support | Etrier Support Trainage Droite | Buegel Halter Für Rechten Zug | |
| 43 | 382774267/0 | 1 | Staffa Supporto Traino Sx | Bracket Left Hitch Support | Etrier Support Trainage Gauche | Buegelhalter Für Linken Zug | |
| 44 | 112521395/0 | 2 | Vite | Screw | Vis | Schraube | |
| 45 | 12620305/0 | 2 | Spina | Pin | Goupille | Stift | |
| 46 | 125510118/0 | 2 | Perno | Pin | Pivot | Bolzen | |
| 47 | 24487997/0 | 2 | Coppiglia | Cotter Pin | Goupille | Splint | |
| 48 | 25510021/1 | 1 | Perno | Pin | Pivot | Bolzen | |
| 49 | 24487999/0 | 1 | Coppiglia | Cotter Pin | Goupille | Split | |
| 72 | 325140097/0 | 1 | Deflettore | Deflector | Deflecteur | Abweiser | |
| 73 | 325394019/0 | 1 | Manico | Handle | Guidon | Stiel | |
| 74 | 25510077/0 | 1 | Perno | Pin | Pivot | Bolzen | |
| 75 | 25430245/0 | 1 | Molla | Spring | Ressort | Feder | |
| 76 | 12735405/0 | 1 | Vite | Screw | Vis | Schraube | |
| 77 | 25280000/1 | 1 | Impugnatura | Handgrip | Branche | Griff | |
| 78 | 25840011/1 | 1 | Tirante In Gomma | Elastic Tie-Rod | Tirant Elastique | Elastische Zugstäbe | |
| 79 | 25253004/0 | 2 | Gancio | Hook | Crochet | Haken | |

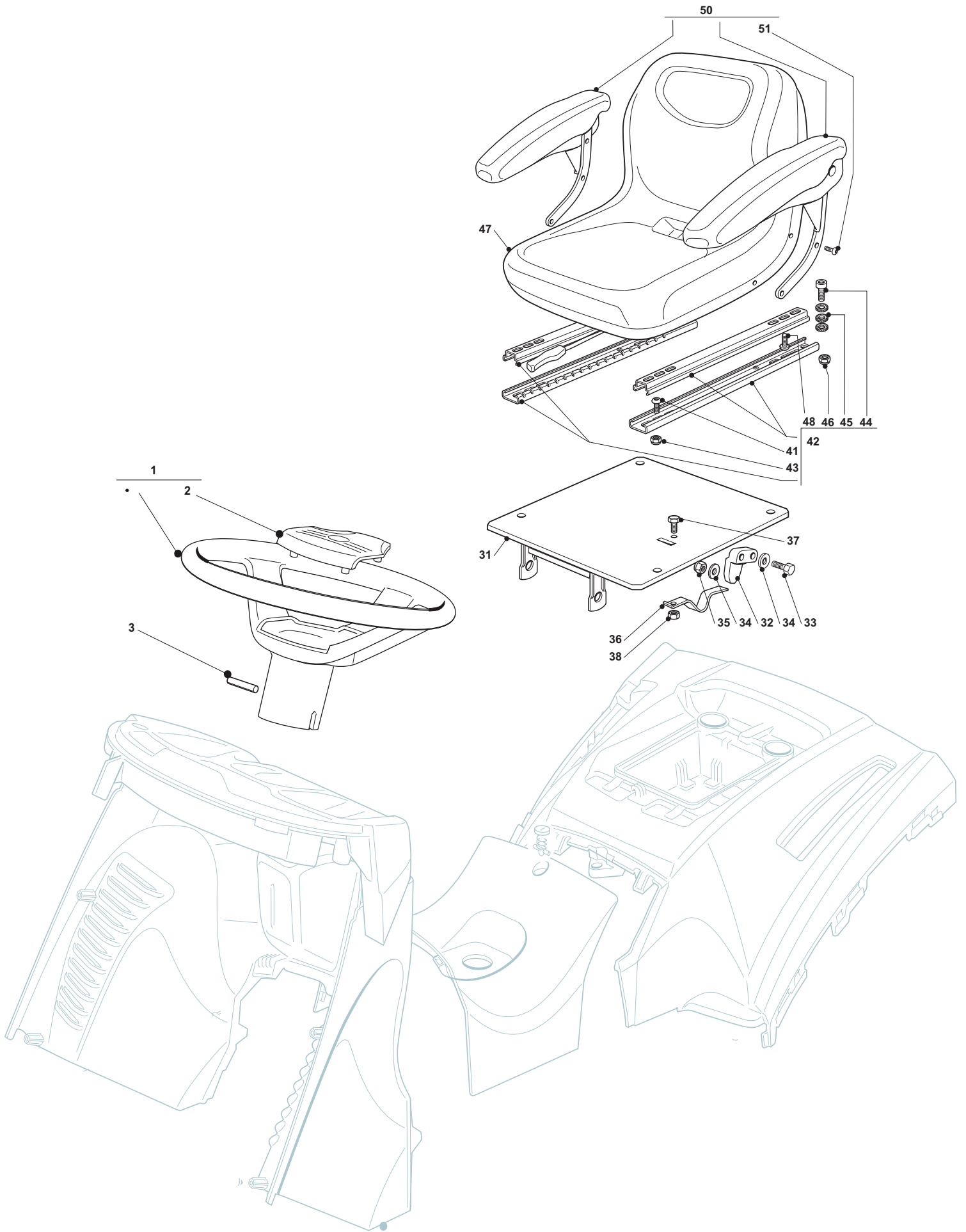


| Seat & Steering Wheel | | | | | | | |
|-----------------------|-------------|------|--------------------------|------------------|--------------------|-----------------|-------|
| POS | CODE | Q.TY | DESCRIZIONE | DESCRIPTION | DESCRIPTION | BESCHREIBUNG | NOTES |
| 1 | 25961214/0 | 1 | Volante | Steering Wheel | Volant | Lenkrad | |
| 2 | 325580500/0 | 1 | Tappo | Cap | Bouchon | Stopfen | |
| 3 | 12620299/0 | 1 | Spina | Pin | Goupille | Stift | |
| 31 | 382735809/0 | 1 | Supp. Sedile Fisso | Fixed Seat Supp. | Support Siege Fixe | Fest Sitzhalter | |
| 32 | 25060033/0 | 1 | Camma | Cam | Came | Nocken | |
| 33 | 12815050/0 | 2 | Vite | Screw | Vis | Schraube | |
| 34 | 12521320/0 | 4 | Rosetta | Washer | Rondelle | Scheibe | |
| 35 | 12372550/0 | 2 | Dado | Nut | Écrou | Mutter | |
| 36 | 125430275/0 | 1 | Molla | Spring | Ressort | Feder | |
| 37 | 12789195/0 | 1 | Vite | Screw | Vis | Schraube | |
| 38 | 12154330/0 | 1 | Dado | Nut | Écrou | Mutter | |
| 41 | 12760605/0 | 4 | Vite | Screw | Vis | Schraube | |
| 42 | 382180115/0 | 1 | Assieme Guide Scorrevoli | Guide Assy | Guide Ens. | Führung | |
| 43 | 12155000/0 | 4 | Dado | Nut | Écrou | Mutter | |
| 44 | 12760515/0 | 1 | Vite | Screw | Vis | Schraube | |
| 45 | 12540060/0 | 3 | Rosetta | Washer | Rondelle | Scheibe | |
| 46 | 12155000/0 | 1 | Dado | Nut | Écrou | Mutter | |
| 47 | 125722473/0 | 1 | Sedile | Seat | Siege | Sitz | |
| 48 | 12760605/0 | 4 | Vite | Screw | Vis | Schraube | |
| 50 | 382180112/0 | 1 | Assieme Braccioli | Arm-Rest Assy | Accoudoir Ens. | Armlehnsysteme | |
| 51 | 12760605/0 | 6 | Vite | Screw | Vis | Schraube | |

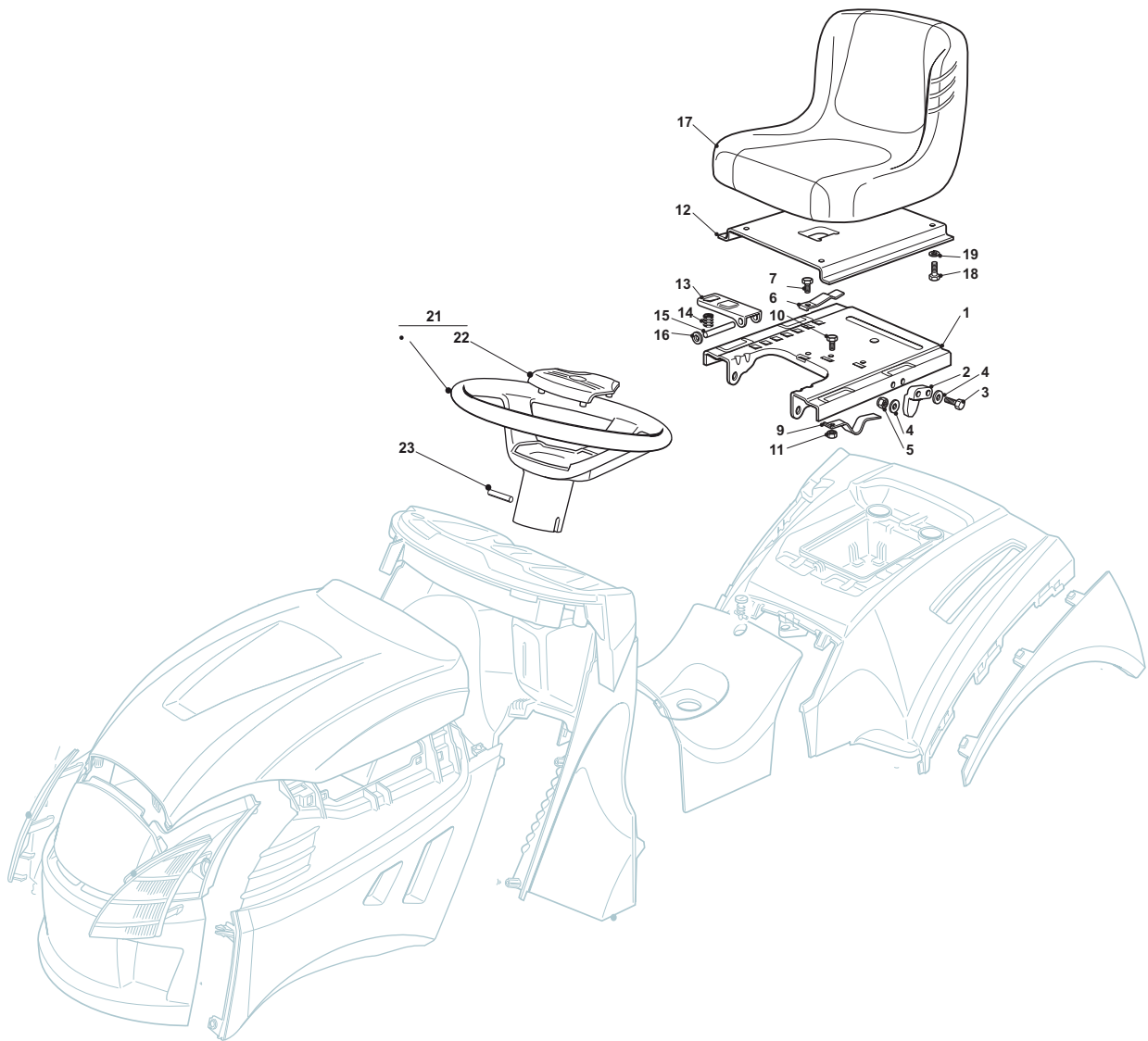


Seat & Steering Wheel

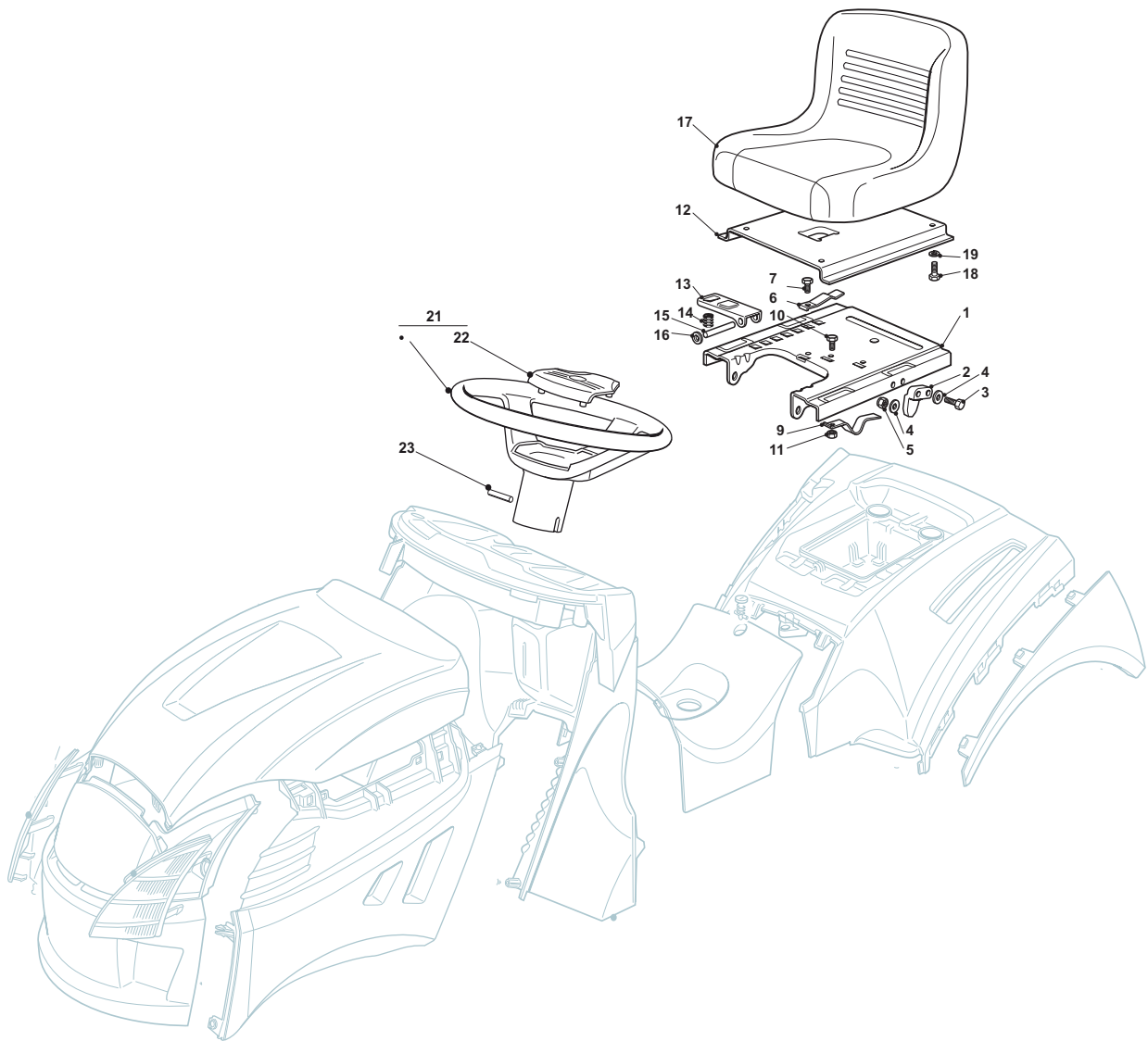
| POS | CODE | Q.TY | DESCRIZIONE | DESCRIPTION | DESCRIPTION | BESCHREIBUNG | NOTES |
|-----|-------------|------|--------------------------|------------------|--------------------|-----------------|-------|
| 1 | 25961217/0 | 1 | Volante | Steering Wheel | Volant | Lenkrad | |
| 2 | 325580505/0 | 1 | Tappo | Cap | Bouchon | Stopfen | |
| 3 | 12620299/0 | 1 | Spina | Pin | Goupille | Stift | |
| 31 | 382735809/0 | 1 | Supp. Sedile Fisso | Fixed Seat Supp. | Support Siege Fixe | Fest Sitzhalter | |
| 32 | 25060033/0 | 1 | Camma | Cam | Came | Nocken | |
| 33 | 12815050/0 | 2 | Vite | Screw | Vis | Schraube | |
| 34 | 12521320/0 | 4 | Rosetta | Washer | Rondelle | Scheibe | |
| 35 | 12372550/0 | 2 | Dado | Nut | Écrou | Mutter | |
| 36 | 125430275/0 | 1 | Molla | Spring | Ressort | Feder | |
| 37 | 12789195/0 | 1 | Vite | Screw | Vis | Schraube | |
| 38 | 12154330/0 | 1 | Dado | Nut | Écrou | Mutter | |
| 41 | 12760605/0 | 4 | Vite | Screw | Vis | Schraube | |
| 42 | 382180115/0 | 1 | Assieme Guide Scorrevoli | Guide Assy | Guide Ens. | Führung | |
| 43 | 12155000/0 | 4 | Dado | Nut | Écrou | Mutter | |
| 44 | 12760515/0 | 1 | Vite | Screw | Vis | Schraube | |
| 45 | 12540060/0 | 3 | Rosetta | Washer | Rondelle | Scheibe | |
| 46 | 12155000/0 | 1 | Dado | Nut | Écrou | Mutter | |
| 47 | 125722473/0 | 1 | Sedile | Seat | Siege | Sitz | |
| 48 | 12760605/0 | 4 | Vite | Screw | Vis | Schraube | |
| 50 | 382180112/0 | 1 | Assieme Braccioli | Arm-Rest Assy | Accoudoir Ens. | Armlehnsysteme | |
| 51 | 12760605/0 | 6 | Vite | Screw | Vis | Schraube | |



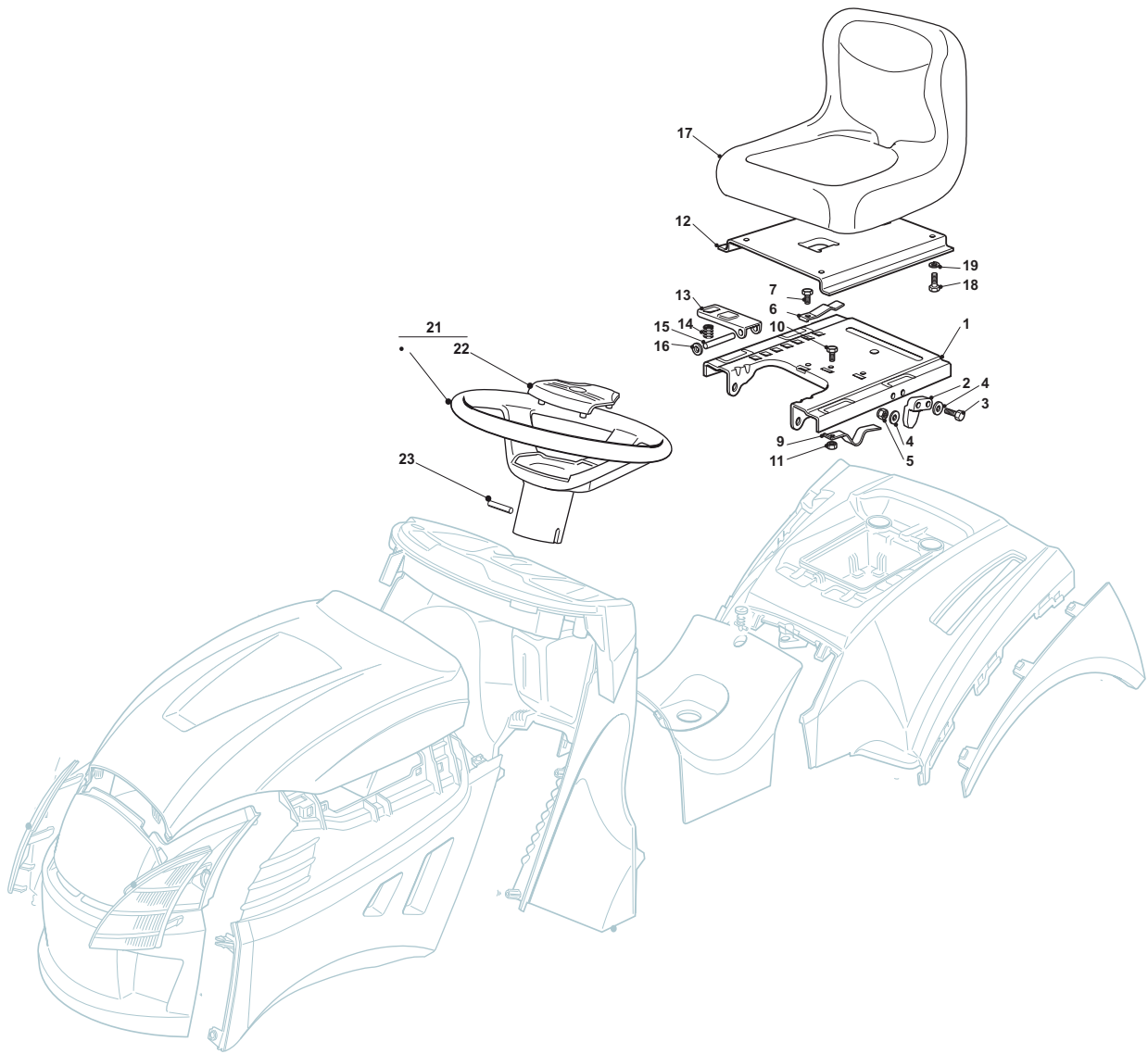
| Seat & Steering Wheel | | | | | | | |
|-----------------------|-------------|------|--------------------------|------------------|--------------------|-----------------|-------|
| POS | CODE | Q.TY | DESCRIZIONE | DESCRIPTION | DESCRIPTION | BESCHREIBUNG | NOTES |
| 1 | 25961210/0 | 1 | Volante | Steering Wheel | Volant | Lenkrad | |
| 2 | 25580501/0 | 1 | Tappo | Cap | Bouchon | Stopfen | |
| 3 | 12620299/0 | 1 | Spina | Pin | Goupille | Stift | |
| 31 | 382735809/0 | 1 | Supp. Sedile Fisso | Fixed Seat Supp. | Support Siege Fixe | Fest Sitzhalter | |
| 32 | 25060033/0 | 1 | Camma | Cam | Came | Nocken | |
| 33 | 12815050/0 | 2 | Vite | Screw | Vis | Schraube | |
| 34 | 12521320/0 | 4 | Rosetta | Washer | Rondelle | Scheibe | |
| 35 | 12372550/0 | 2 | Dado | Nut | Écrou | Mutter | |
| 36 | 125430275/0 | 1 | Molla | Spring | Ressort | Feder | |
| 37 | 12789195/0 | 1 | Vite | Screw | Vis | Schraube | |
| 38 | 12154330/0 | 1 | Dado | Nut | Écrou | Mutter | |
| 41 | 12760605/0 | 4 | Vite | Screw | Vis | Schraube | |
| 42 | 382180115/0 | 1 | Assieme Guide Scorrevoli | Guide Assy | Guide Ens. | Führung | |
| 43 | 12155000/0 | 4 | Dado | Nut | Écrou | Mutter | |
| 44 | 12760515/0 | 1 | Vite | Screw | Vis | Schraube | |
| 45 | 12540060/0 | 3 | Rosetta | Washer | Rondelle | Scheibe | |
| 46 | 12155000/0 | 1 | Dado | Nut | Écrou | Mutter | |
| 47 | 125722473/0 | 1 | Sedile | Seat | Siege | Sitz | |
| 48 | 12760605/0 | 4 | Vite | Screw | Vis | Schraube | |
| 50 | 382180112/0 | 1 | Assieme Braccioli | Arm-Rest Assy | Accoudoir Ens. | Armlehnsysteme | |
| 51 | 12760605/0 | 6 | Vite | Screw | Vis | Schraube | |



| Seat & Steering Wheel | | | | | | | |
|-----------------------|-------------|------|--------------------|------------------|--------------------|-----------------|-------|
| POS | CODE | Q.TY | DESCRIZIONE | DESCRIPTION | DESCRIPTION | BESCHREIBUNG | NOTES |
| 1 | 25785149/2 | 1 | Supp. Sedile Fisso | Fixed Seat Supp. | Support Siege Fixe | Fest Sitzhalter | |
| 2 | 25060033/0 | 1 | Camma | Cam | Came | Nocken | |
| 3 | 12815050/0 | 2 | Vite | Screw | Vis | Schraube | |
| 4 | 12521320/0 | 4 | Rosetta | Washer | Rondelle | Scheibe | |
| 5 | 12372550/0 | 2 | Dado | Nut | Ecrou | Mutter | |
| 6 | 25430203/0 | 1 | Molla Arresto | Spring | Ressort D'Arret | Rastfeder | |
| 7 | 12731580/0 | 1 | Vite | Screw | Vis | Schraube | |
| 9 | 25430223/2 | 1 | Molla | Spring | Ressort | Feder | |
| 10 | 12789000/0 | 1 | Vite | Screw | Vis | Schraube | |
| 11 | 12154330/0 | 1 | Dado | Nut | Ecrou | Mutter | |
| 12 | 325785147/1 | 1 | Supporto Sedile | Seat Support | Support Siege | Sitzhalter | |
| 13 | 325318109/1 | 1 | Leva Arresto | Stop Lever | Levier D'Arret | Abstellhebel | |
| 14 | 125430202/1 | 1 | Molla | Spring | Ressort | Feder | |
| 15 | 25510000/0 | 1 | Perno | Pin | Pivot | Bolzen | |
| 16 | 12604897/0 | 2 | Anello Elastico | Snap Ring | Anneau Ressort | Sprengring | |
| 17 | 25722459/0 | 1 | Sedile | Seat | Siege | Sitz | |
| 18 | 12793102/0 | 4 | Vite | Screw | Vis | Schraube | |
| 19 | 12583500/0 | 4 | Grower | Grower | Grower | Grower | |
| 21 | 25961214/0 | 1 | Volante | Steering Wheel | Volant | Lenkrad | |
| 22 | 325580500/0 | 1 | Tappo | Cap | Bouchon | Stopfen | |
| 23 | 12620299/0 | 1 | Spina | Pin | Goupille | Stift | |



| Seat & Steering Wheel | | | | | | | |
|-----------------------|-------------|------|--------------------|------------------|--------------------|-----------------|-------|
| POS | CODE | Q.TY | DESCRIZIONE | DESCRIPTION | DESCRIPTION | BESCHREIBUNG | NOTES |
| 1 | 25785149/2 | 1 | Supp. Sedile Fisso | Fixed Seat Supp. | Support Siege Fixe | Fest Sitzhalter | |
| 2 | 25060033/0 | 1 | Camma | Cam | Came | Nocken | |
| 3 | 12815050/0 | 2 | Vite | Screw | Vis | Schraube | |
| 4 | 12521320/0 | 4 | Rosetta | Washer | Rondelle | Scheibe | |
| 5 | 12372550/0 | 2 | Dado | Nut | Ecrou | Mutter | |
| 6 | 25430203/0 | 1 | Molla Arresto | Spring | Ressort D'Arret | Rastfeder | |
| 7 | 12731580/0 | 1 | Vite | Screw | Vis | Schraube | |
| 9 | 25430223/2 | 1 | Molla | Spring | Ressort | Feder | |
| 10 | 12789000/0 | 1 | Vite | Screw | Vis | Schraube | |
| 11 | 12154330/0 | 1 | Dado | Nut | Ecrou | Mutter | |
| 12 | 325785147/1 | 1 | Supporto Sedile | Seat Support | Support Siege | Sitzhalter | |
| 13 | 325318109/1 | 1 | Leva Arresto | Stop Lever | Levier D'Arret | Abstellhebel | |
| 14 | 125430202/1 | 1 | Molla | Spring | Ressort | Feder | |
| 15 | 25510000/0 | 1 | Perno | Pin | Pivot | Bolzen | |
| 16 | 12604897/0 | 2 | Anello Elastico | Snap Ring | Anneau Ressort | Sprengring | |
| 17 | 125722471/0 | 1 | Sedile | Seat | Siege | Sitz | |
| 18 | 12793102/0 | 4 | Vite | Screw | Vis | Schraube | |
| 19 | 12583500/0 | 4 | Grower | Grower | Grower | Grower | |
| 21 | 25961217/0 | 1 | Volante | Steering Wheel | Volant | Lenkrad | |
| 22 | 325580505/0 | 1 | Tappo | Cap | Bouchon | Stopfen | |
| 23 | 12620299/0 | 1 | Spina | Pin | Goupille | Stift | |



| Seat & Steering Wheel | | | | | | | |
|-----------------------|-------------|------|--------------------|------------------|--------------------|-----------------|-------|
| POS | CODE | Q.TY | DESCRIZIONE | DESCRIPTION | DESCRIPTION | BESCHREIBUNG | NOTES |
| 1 | 25785149/2 | 1 | Supp. Sedile Fisso | Fixed Seat Supp. | Support Siege Fixe | Fest Sitzhalter | |
| 2 | 25060033/0 | 1 | Camma | Cam | Came | Nocken | |
| 3 | 12815050/0 | 2 | Vite | Screw | Vis | Schraube | |
| 4 | 12521320/0 | 4 | Rosetta | Washer | Rondelle | Scheibe | |
| 5 | 12372550/0 | 2 | Dado | Nut | Ecrou | Mutter | |
| 6 | 25430203/0 | 1 | Molla Arresto | Spring | Ressort D'Arret | Rastfeder | |
| 7 | 12731580/0 | 1 | Vite | Screw | Vis | Schraube | |
| 9 | 25430223/2 | 1 | Molla | Spring | Ressort | Feder | |
| 10 | 12789000/0 | 1 | Vite | Screw | Vis | Schraube | |
| 11 | 12154330/0 | 1 | Dado | Nut | Ecrou | Mutter | |
| 12 | 325785147/1 | 1 | Supporto Sedile | Seat Support | Support Siege | Sitzhalter | |
| 13 | 325318109/1 | 1 | Leva Arresto | Stop Lever | Levier D'Arret | Abstellhebel | |
| 14 | 125430202/1 | 1 | Molla | Spring | Ressort | Feder | |
| 15 | 25510000/0 | 1 | Perno | Pin | Pivot | Bolzen | |
| 16 | 12604897/0 | 2 | Anello Elastico | Snap Ring | Anneau Ressort | Sprengring | |
| 17 | 25722457/0 | 1 | Sedile | Seat | Siege | Sitz | |
| 18 | 12793102/0 | 4 | Vite | Screw | Vis | Schraube | |
| 19 | 12583500/0 | 4 | Grower | Grower | Grower | Grower | |
| 21 | 25961210/0 | 1 | Volante | Steering Wheel | Volant | Lenkrad | |
| 22 | 25580501/0 | 1 | Tappo | Cap | Bouchon | Stopfen | |
| 23 | 12620299/0 | 1 | Spina | Pin | Goupille | Stift | |