



Green Passion

Illustrated Parts List

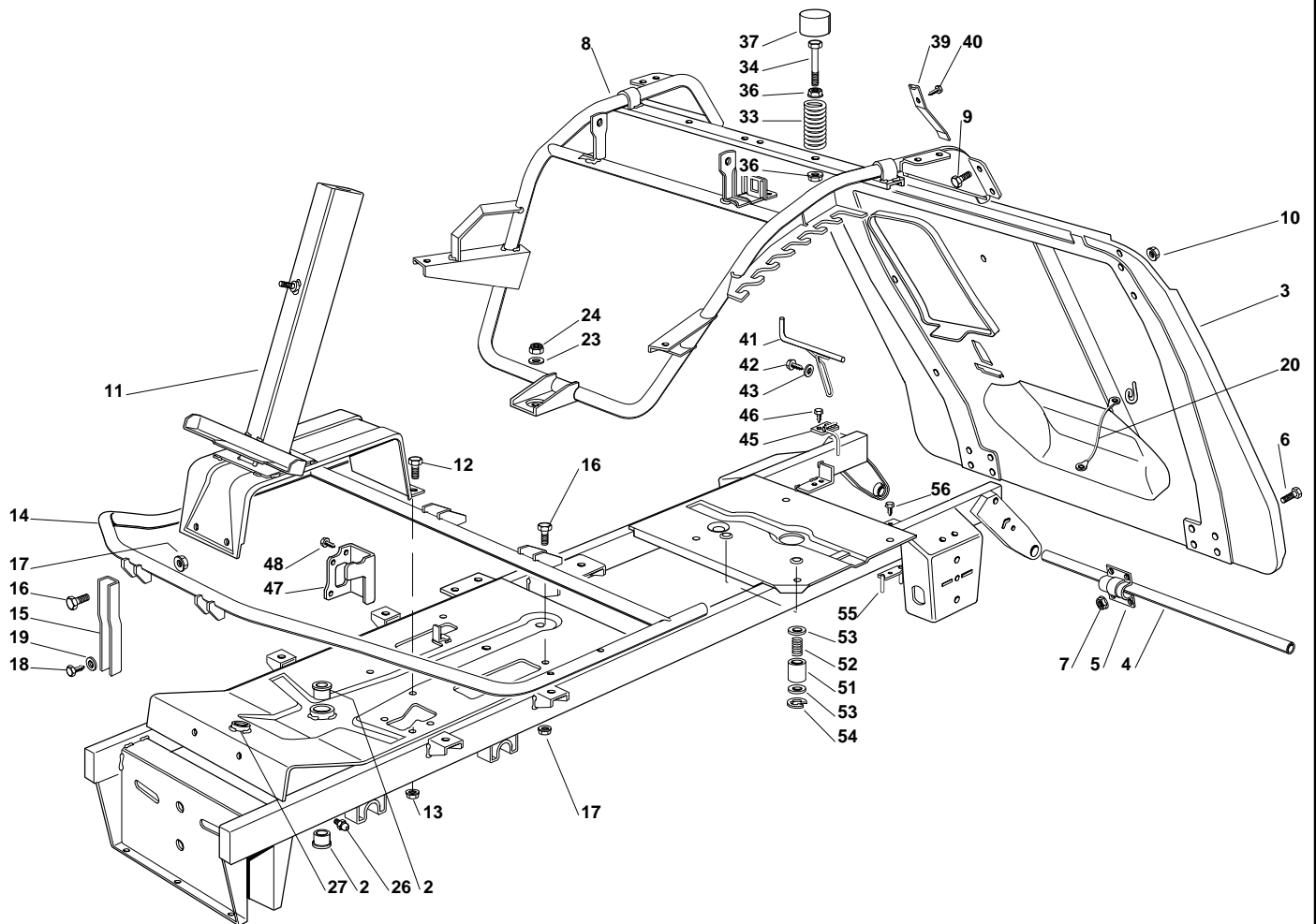
XF 130 - Model Year 2010

- Use GLOBAL GARDEN PRODUCT Genuine Spare Parts specified in the parts list for repair and/or replacement.
- The contents described in the parts list may change due to improvement.
- The drawings of the spare parts are only indicative and might not represent the part in question exactly.
- The indications "right" - "left" - "front" - "rear" refer to the position of the operator when using the machine.
- When placing orders of parts for repair and/or replacement, make sure that the illustrated parts list is the one applying to the machine's year of manufacture, as shown on the identification plate attached to the machine.

COPYRIGHT by GLOBAL GARDEN PRODUCTS

All rights reserved. No part of this material may be reproduced or transmitted, in any form or by any means, electronic or mechanical, including photocopying, recording or by any information storage and retrieval system, without permission in writing from GLOBAL GARDEN PRODUCTS.

Chassis



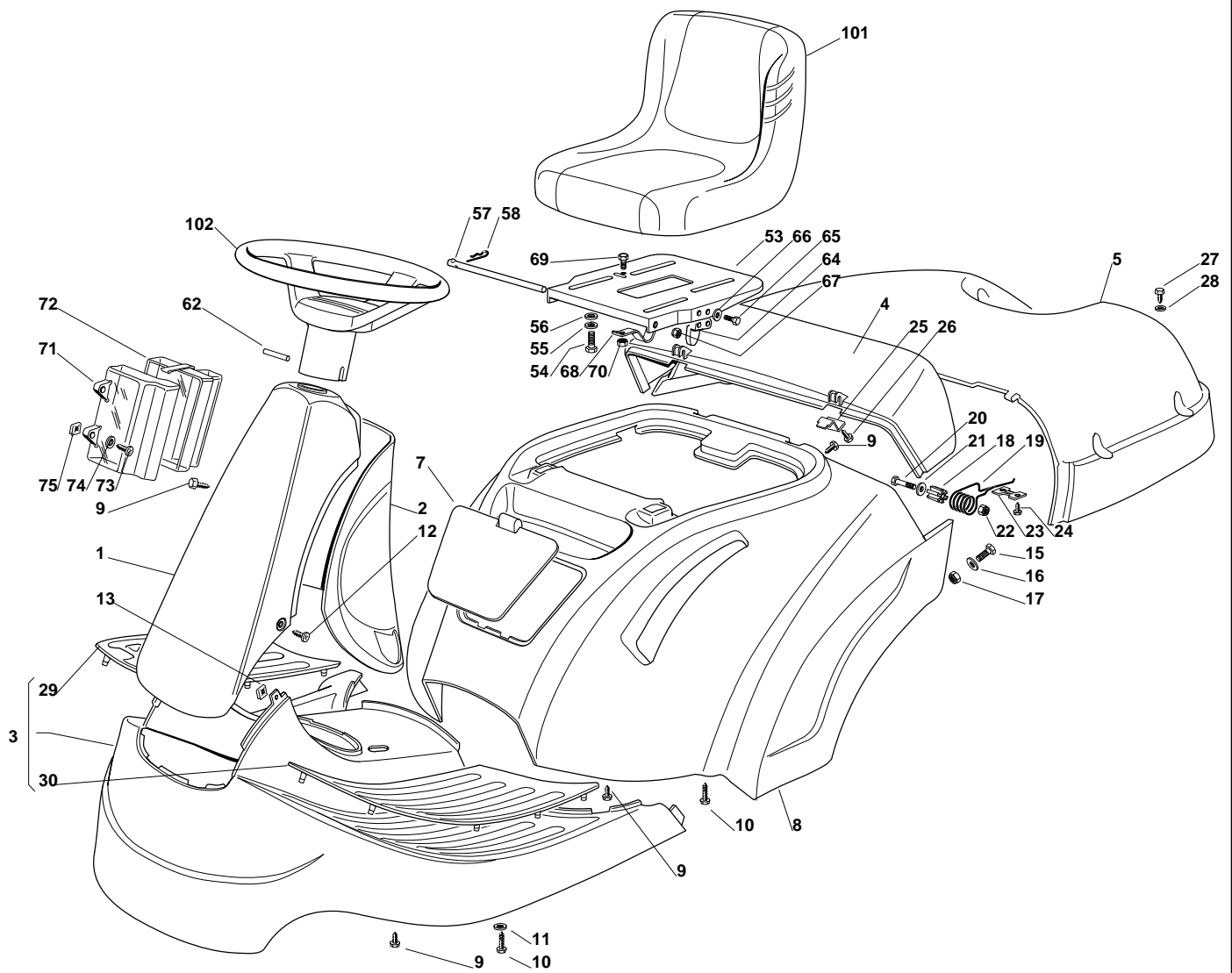


XF 130 - Model Year 2010

Chassis

Pos.	Part no.	Q.ty	Description	Remarks
2	25034002/1	2	Brass	
3	84545057/3	1	Plate	
4	27037000/1	1	Pin	
5	25547012/1	2	Plate	
6	112791200/1	8	Screw	
7	12292102/0	8	Nut	
8	84801127/0	1	Chassis	
9	12792611/0	4	Screw	
10	12293201/0	4	Nut	
11	84783027/0	1	Support	
12	12792611/0	4	Screw	
13	12293201/0	4	Nut	
14	384801107/2	1		
15	27787025/0	2	Support	
16	12792611/0	4	Screw	
17	12293201/0	4	Nut	
18	12734995/0	2	Screw	
19	12521331/0	2	Washer	
20	84040300/0	1	Cord	
23	12523060/0	1	Washer	
24	12155000/0	1	Nut	
26	12379511/0	1	Grease Dispenser	
27	25034001/0	1	Bush	
33	27430575/0	2	Spring	
34	27943050/0	2	Screw	
36	12293201/0	4	Nut	
37	25122000/2	2	Hood	
39	27430554/0	1	Spring	
40	12735110/0	1	Screw	
41	27294001/0	1	Guide	
42	12735120/0	1	Screw	
43	12523040/0	1	Washer	
45	27294003/0	1	Belt Guide (Mech.-Dana)	
46	12735110/0	2	Screw	
47	27772095/0	1	Clamp	
48	12735106/0	2	Screw	
51	27047012/0	2	Bush	
52	27430577/0	2	Spring	
53	25670008/1	4	Washer	
54	12000955/0	2	Benzing	
55	84250053/0	1	Belt Guide (Mech.)	
56	12735110/0	1	Screw	

Body

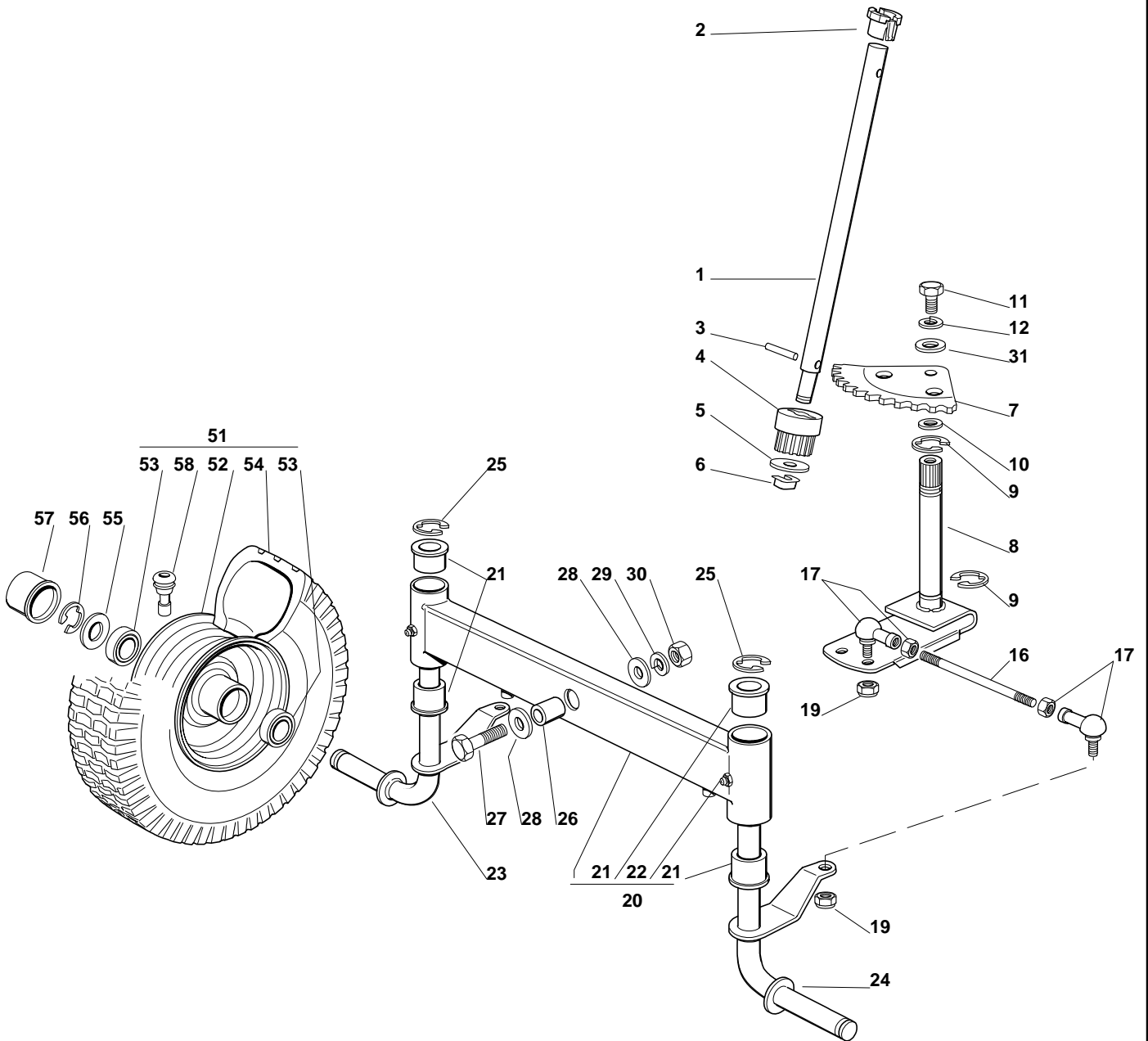




XF 130 - Model Year 2010

Body

Pos.	Part no.	Q.ty	Description	Remarks
8	84110100/3	1	Wheels Cover Red	
9	12735402/0	10	Screw	
10	12735410/0	8	Screw	
11	12523040/0	4	Washer	
12	12727790/0	2	Screw	
13	12437503/0	2	Nut	
15	112791200/1	2	Screw	
16	12523040/0	2	Washer	
17	12154510/0	2	Nut	
18	27047003/0	2	Bush	
19	27430551/1	2	Spring	
20	12691200/0	2	Screw (Wheels 15")	
21	12523070/0	2	Washer	
22	12155000/0	2	Nut	
23	27546001/0	2	Plate	
24	12735402/0	4	Screw	
25	27546003/0	2	Plate	
26	12735402/0	2	Screw	
27	12729601/1	4	Screw	
28	12521331/0	4	Washer	
29	27110304/0	1	Right Footboard Cover	
30	27110305/0	1	Left Footboard Cover	
41	84000250/1	1	Accelerator	
42	125943007/0	2	Screw	
44	25394501/0	1	Handle	
45	12726388/0	1	Screw	
46	12290800/0	1	Nut	
53	25547033/1	1	Plate	
54	12793101/0	4	Screw	
55	12583500/0	4	Grower	
56	12523060/0	4	Washer	
57	27864052/0	1	Pin	
58	24487997/0	1	Cotter Pin	
62	12620299/0	1	Pin	
64	27063021/1	1	Cam	
65	12789100/0	2	Screw	
66	12523020/0	2	Washer	
67	12154330/0	2	Nut	
68	25430223/2	1	Spring	
69	12789000/0	1	Screw	
70	12154330/0	1	Nut	
71	25600020/0	1	Upper Guard	
72	25600021/1	1	Lower Guard	
73	12728460/0	2	Screw	
74	12521320/0	2	Washer	
75	12437502/0	2	Nut	
101	25722463/0	1	Seat	
102	25961212/0	1	Steering Wheel	

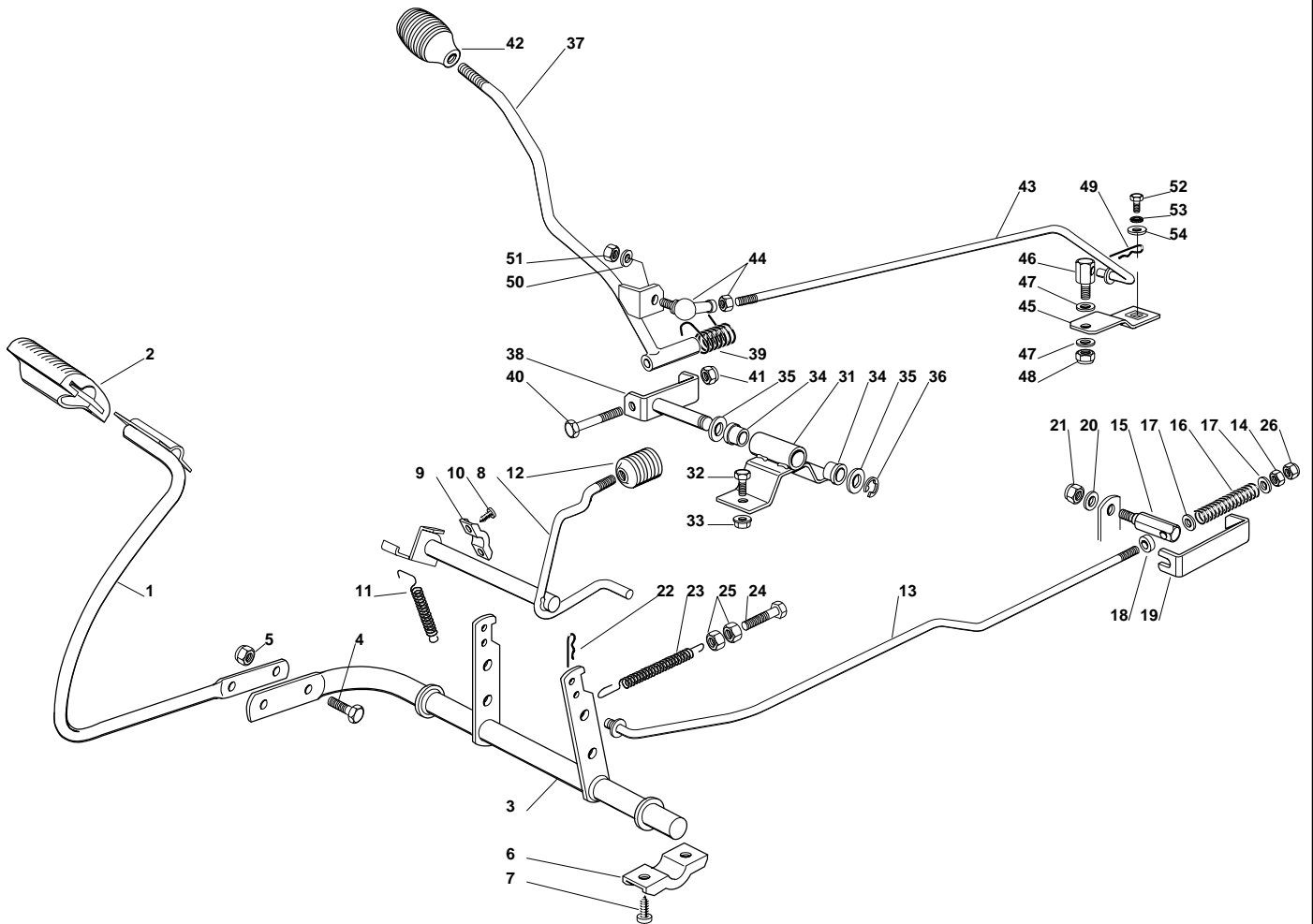




XF 130 - Model Year 2010

Steering

Pos.	Part no.	Q.ty	Description	Remarks
1	27520050/0	1	Steering Column	
2	25038004/0	1	Bush	
3	12622650/0	1	Pin	
4	27570050/0	1	Pinion	
5	12521370/0	1	Washer	
6	12436030/0	1	Plate	
7	84735551/0	1	Steering Shaft	
8	84000501/0	1	Shaft	
9	12001000/0	2	Snap Ring	
10	12520031/0	2	Washer	
11	12793102/0	1	Screw	
12	12583500/0	1	Grower	
16	27840050/0	2	Tie Rod	
17	22746600/0	4	Joint	
19	12156602/0	4	Nut	
20	84034057/0	1	Equalizer	
21	25034002/1	4	Brass	
22	12379511/0	2	Grease Dispenser	
23	84230401/0	1	Right Stub Axle	
24	84230403/0	1	Left Stub Axle	
25	12001000/0	2	Snap Ring	
26	25160016/0	1	Spacer	
27	12692695/0	1	Screw	
28	12523100/0	2	Washer	
29	12587100/0	1	Grower	
30	12295300/0	1	Nut	
31	12521350/0	1	Washer	
51	84680055/1	2	Front Wheel Deli Tire	
52	84044000/0	2	Rimm	
53	25122200/2	4	Bearing	
54	27590052/0	2	Shoe Deli Tire	
55	25670005/1	2	Washer	
56	12001000/0	2	Snap Ring	
57	22110230/0	2	Cap	
58	25950000/0	2	Valve	

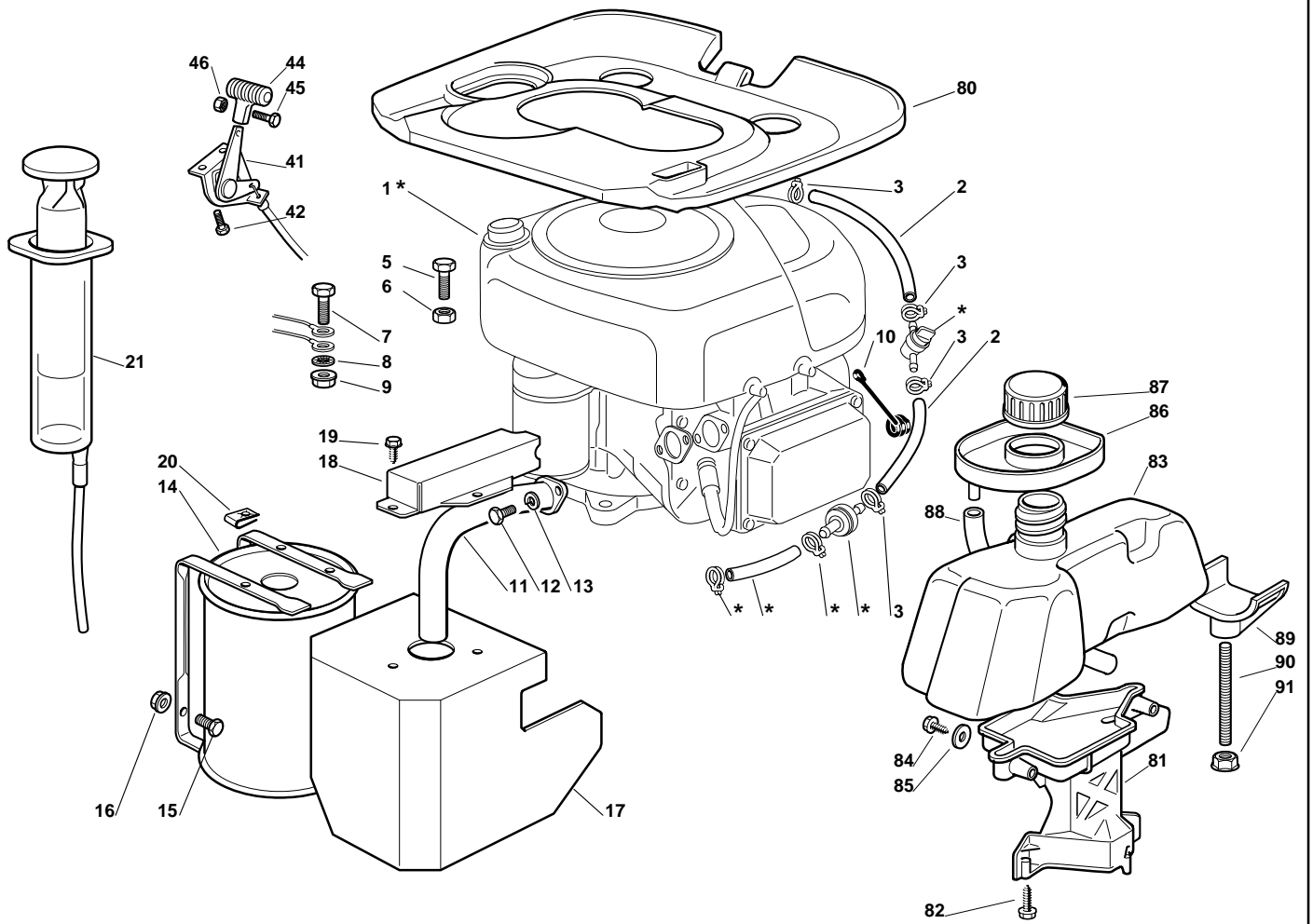




XF 130 - Model Year 2010

2004M.0

Pos.	Part no.	Q.ty	Description	Remarks
1	84503001/0	1	Pedal	
2	25110269/0	1	Clamp Cover	
3	84001015/1	1	Axle	
4	12793301/0	2	Screw	
5	12155000/0	2	Nut	
6	27546015/1	2	Plate	
7	12731350/0	4	Screw	
8	84001011/2	1	Axle	
9	25547049/0	2	Plate	
10	12731601/0	4	Screw	
11	27430552/0	1	Spring	
12	27395050/1	1	Knob	
13	27034060/0	1	Rod	
14	12293200/0	1	Nut	
15	27510115/0	1	Pin	
16	25430236/0	1	Spring	
17	12521350/0	2	Washer	
18	22171001/0	1	Spacer	
19	25774275/0	1	Clamp	
20	12523050/0	1	Washer	
21	12154510/0	1	Nut	
22	24487997/0	1	Cotter Pin	
23	25430220/0	1	Spring	
24	22943005/0	1	Screw	
25	12293200/0	2	Nut	
26	12155000/0	1	Nut	
31	84773551/0	1	Clamp	
32	12793102/0	2	Screw	
33	12293201/0	2	Nut	
34	27047002/0	2	Bushing	
35	12521370/0	2	Washer	
36	12608600/0	1	Snap Ring	
37	84317051/2	1	Gearshift	
38	84773553/0	1	Clamp	
39	25430226/0	1	Spring	
40	12692050/0	1	Screw	
41	12155000/0	1	Nut	
42	82394508/0	1	Knob	
43	27034080/0	1	Rod (Dana)	
44	22746601/0	1	Joint	
45	27315109/0	1	Gearshift (Dana)	
46	25510040/1	1	Pin	
47	25670011/0	2	Washer	
48	12155000/0	1	Nut	
49	24487997/0	1	Cotter Pin	
50	12583500/0	1	Grower	
51	12293200/0	1	Nut	
52	12735520/0	1	Screw	
53	12540040/0	1	Washer	
54	22680009/0	1	Washer	

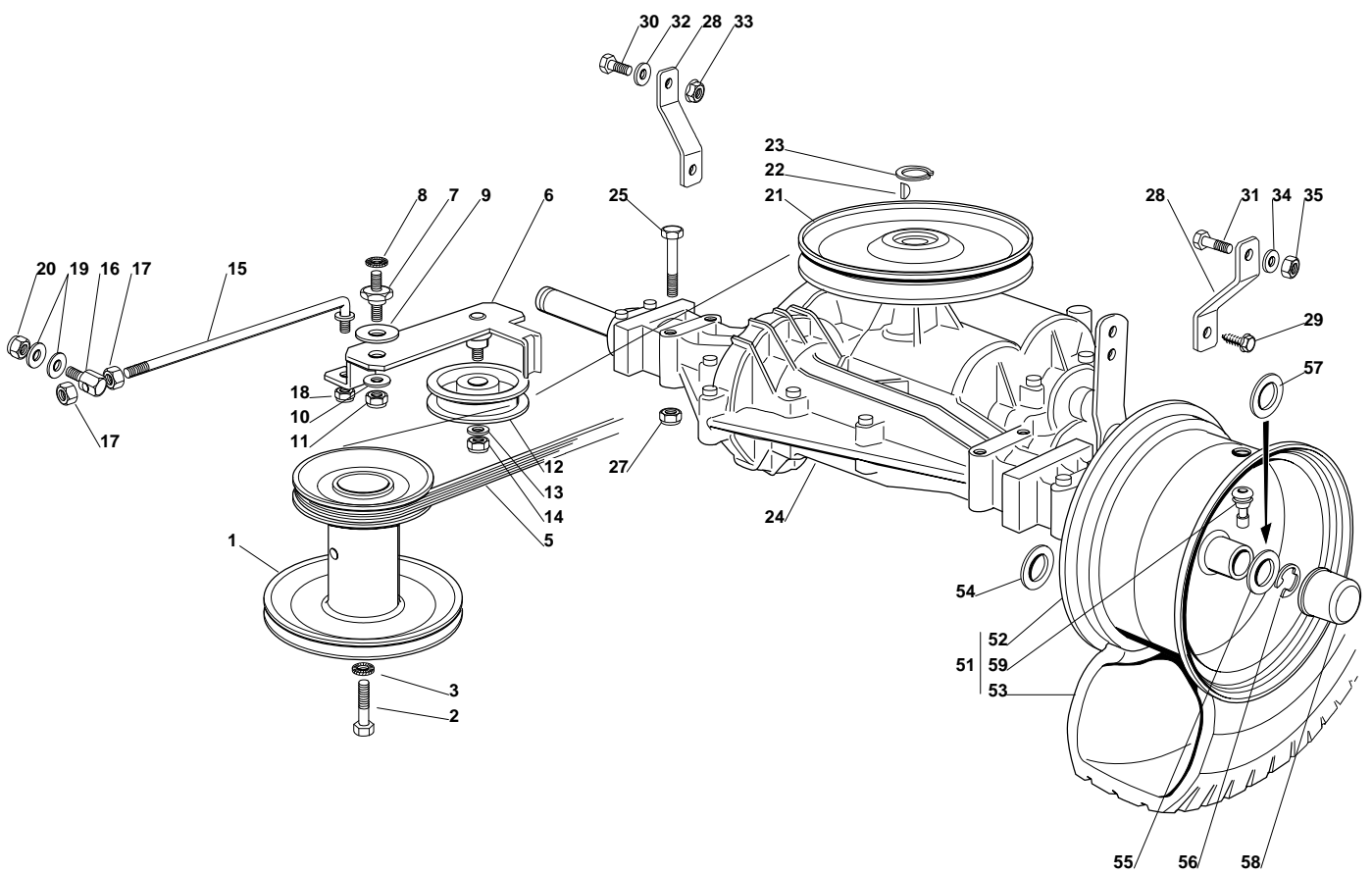




XF 130 - Model Year 2010

2005_10

Pos.	Part no.	Q.ty	Description	Remarks
1	-	1	Starter Relay	
2	25869035/1	2	Fair Led	
3	18375051/1	4	Fair Led	
5	12691100/0	3	Screw	
6	12154210/0	3	Nut	
7	12691115/0	1	Screw	
8	12540260/0	1	Washer	
9	12154210/0	1	Nut	
10	25430239/1	1	Spring	
11	18738225/0	1	Exhaust Connection	
12	12737450/0	2	Screw	
13	12583500/0	2	Grower	
14	82750006/1	1	Muffler	
15	12793102/0	2	Screw	
16	12154210/0	2	Nut	
17	84598081/0	1	Muffler Protection	
18	27600137/0	1	Protection	
19	12729601/1	3	Screw	
20	12437504/0	3	Plate	
21	18718000/0	1	Syringe	
41	84000250/1	1	Accelerator	
42	125943012/0	2	Screw	
44	25394501/0	1	Handle	
45	12726388/0	1	Screw	
46	12290800/0	1	Nut	
80	27110306/2	1	Engine Cover	
81	27787062/0	1	Support	
82	12735410/0	3	Screw	
83	27733003/1	1	Tank	
84	12735410/0	2	Screw	
85	12523040/0	2	Washer	
86	27600061/2	1	Guard	
87	25795000/1	1	Cap	
88	25869014/0	1	Tube	
89	27787063/0	1	Support	
90	27510118/0	1	Pin	
91	12293201/0	2	Nut	
-	*	1	Engine	Honda Gx 35

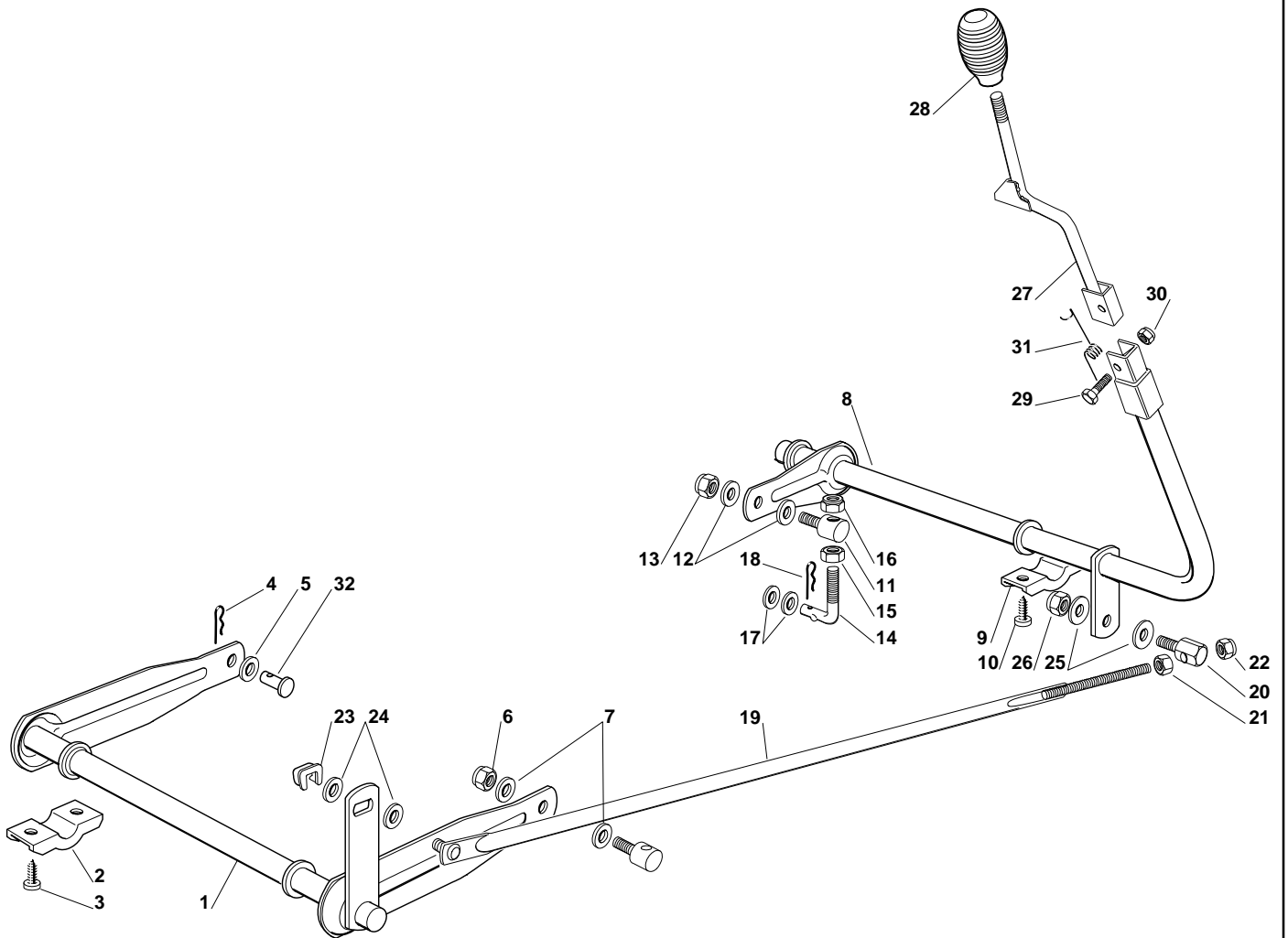




XF 130 - Model Year 2010

Transmission

Pos.	Part no.	Q.ty	Description	Remarks
1	27604003/1	1	Pulley	
2	12737310/0	1	Screw	
3	12543000/0	1	Washer	
5	35061400/0	1	Belt	
6	84317055/1	1	Lever	
7	27510096/0	1	Pin	
8	12540260/0	1	Washer	
9	22672151/0	1	Washer	
10	25670011/0	1	Washer	
11	12155010/0	1	Nut	
12	25601554/0	1	Pulley	
13	12523060/0	1	Washer	
14	12155000/0	1	Nut	
15	27034054/0	1	Tie Rod	
16	25510040/1	1	Pin	
17	12293200/0	2	Nut	
18	12155000/0	1	Nut	
19	25670011/0	2	Washer	
20	12155000/0	1	Nut	
21	82601503/0	1	Pulley	
22	12139430/0	1	Key	
23	12608950/0	1	Snap Ring	
24	18400917/0	1	Rear Axle (Dana)	
25	12691900/0	4	Screw	
27	12154210/0	4	Nut	
28	27772067/0	2	Clamp	
29	12735150/0	2	Screw	
30	12793102/0	1	Screw	
31	12793301/0	1	Screw	
32	12523060/0	1	Washer	
33	12293201/0	1	Nut	
34	12521350/0	1	Washer	
35	12155000/0	1	Nut	
51	84680053/1	2	Rear Wheel Deli Tire	
52	84044001/0	2	Rimm	
53	27590053/0	2	Shoe Deli Tire	
54	12521410/0	2	Washer	
55	25670005/1	2	Washer	
56	12001010/0	2	Snap Ring	
57	12520010/0	4	Washer	
58	22110230/0	2	Cap	
59	25950000/0	2	Valve	
60	25160034/0	2	Spacer (Dana)	
61	25670005/1	2	Washer	
62	25670006/0	2	Washer	
81	384680061/0	2	Rear Wheel	
82	84044005/0	2	Rimm	
83	127590063/0	2	Shoe	
84	127590061/0	2	Inner Tube	

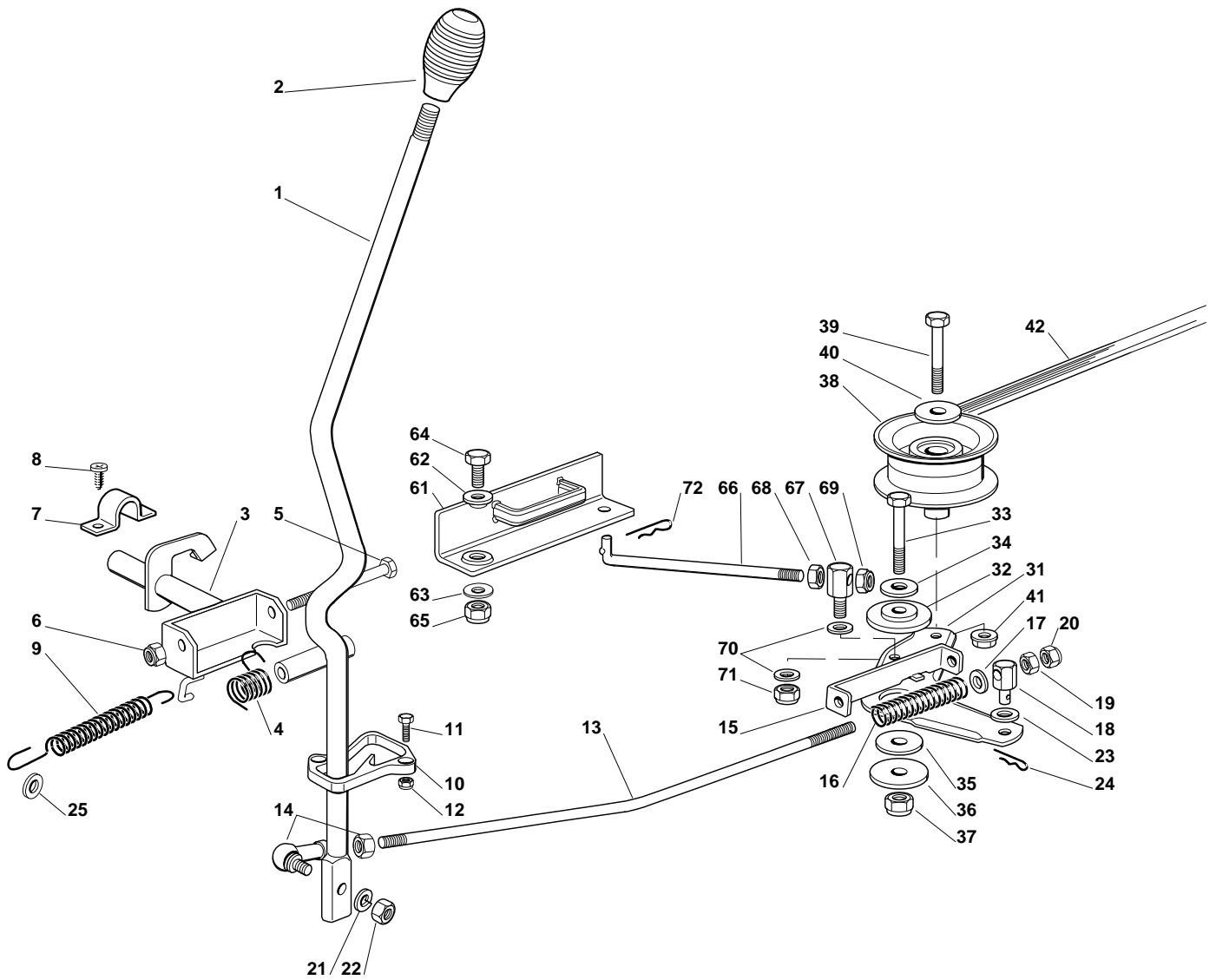




XF 130 - Model Year 2010

2007.OBS

Pos.	Part no.	Q.ty	Description	Remarks
1	84001025/0	1	Axle	
2	27546015/1	2	Plate	
3	12731350/0	4	Screw	
4	24487997/0	1	Cotter Pin	
5	25670008/1	1	Washer	
6	12156602/0	1	Nut	
7	25670008/1	2	Washer	
8	84001005/2	1	Axle	
9	27546015/1	2	Plate	
10	12731350/0	4	Screw	
11	25510007/1	1	Pin	
12	25670008/1	2	Washer	
13	12156602/0	1	Nut	
14	25840003/2	1	Tie Rod	
15	12295200/0	1	Nut	
16	12156602/0	1	Nut	
17	22672150/0	2	Washer	
18	24487997/0	1	Cotter Pin	
19	84002051/0	1	Rod	
20	25510040/1	1	Pin	
21	12293200/0	1	Nut	
22	12155000/0	1	Nut	
23	12436050/0	1	Plate	
24	25670011/0	2	Washer	
25	25670011/0	2	Washer	
26	12155000/0	1	Nut	
27	84317065/1	1	Lever	
28	25394510/0	1	Knob	
29	12674700/0	1	Screw	
30	12154510/0	1	Nut	
31	27430555/0	1	Spring	
32	27510114/0	1	Pin	

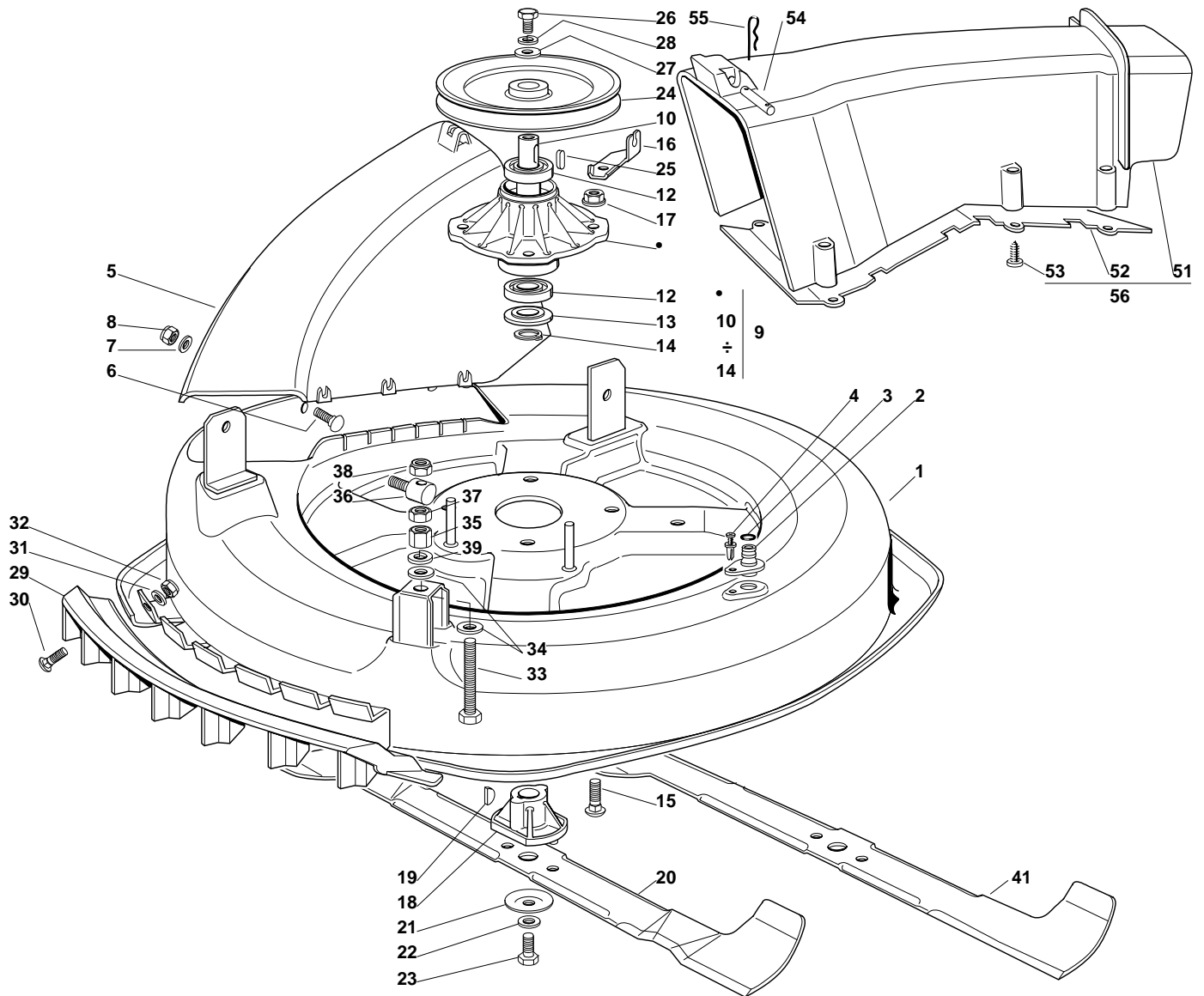




XF 130 - Model Year 2010

2008.OBS

Pos.	Part no.	Q.ty	Description	Remarks
1	84317069/0	1	Lever	
2	25394510/0	1	Knob	
3	84001007/0	1	Axle	
4	25430226/0	1	Spring	
5	12692050/0	1	Screw	
6	12155000/0	1	Nut	
7	25547049/0	2	Plate	
8	12731601/0	4	Screw	
9	25430571/0	1	Spring	
10	27487000/0	1	Shoe	
11	112791200/1	2	Screw	
12	12154510/0	2	Nut	
13	27034078/0	1	Rod	
14	22746601/0	1	Joint	
15	27772143/0	1	Clamp	
16	25430576/0	1	Spring	
17	12521350/0	1	Washer	
18	27510113/0	1	Pin	
19	12293200/0	1	Nut	
20	12155000/0	1	Nut	
21	12583500/0	1	Grower	
22	12293200/0	1	Nut	
23	25670008/1	1	Washer	
24	24487997/0	1	Cotter Pin	
25	25670006/0	1	Washer	
31	84317083/0	1	Lever	
32	27047000/0	1	Bush	
33	12691200/0	1	Screw (Wheels 15")	
34	12523060/0	1	Washer	
35	22672152/0	1	Washer	
36	12523070/0	1	Washer	
37	12155000/0	1	Nut	
38	27604008/0	1	Pulley	
39	12691600/0	1	Screw	
40	12523060/0	1	Washer	
41	12293201/0	1	Nut	
42	35061423/0	1	Belt	
61	84220501/0	1	Brake	
62	22041980/0	1	Spacer	
63	22672152/0	1	Washer	
64	12793102/0	1	Screw	
65	12155010/0	1	Nut	
66	27034077/0	1	Rod	
67	25510040/1	1	Pin	
68	12293200/0	1	Nut	
69	12155000/0	1	Nut	
70	25670011/0	2	Washer	
71	12155000/0	1	Nut	
72	24487997/0	1	Cotter Pin	

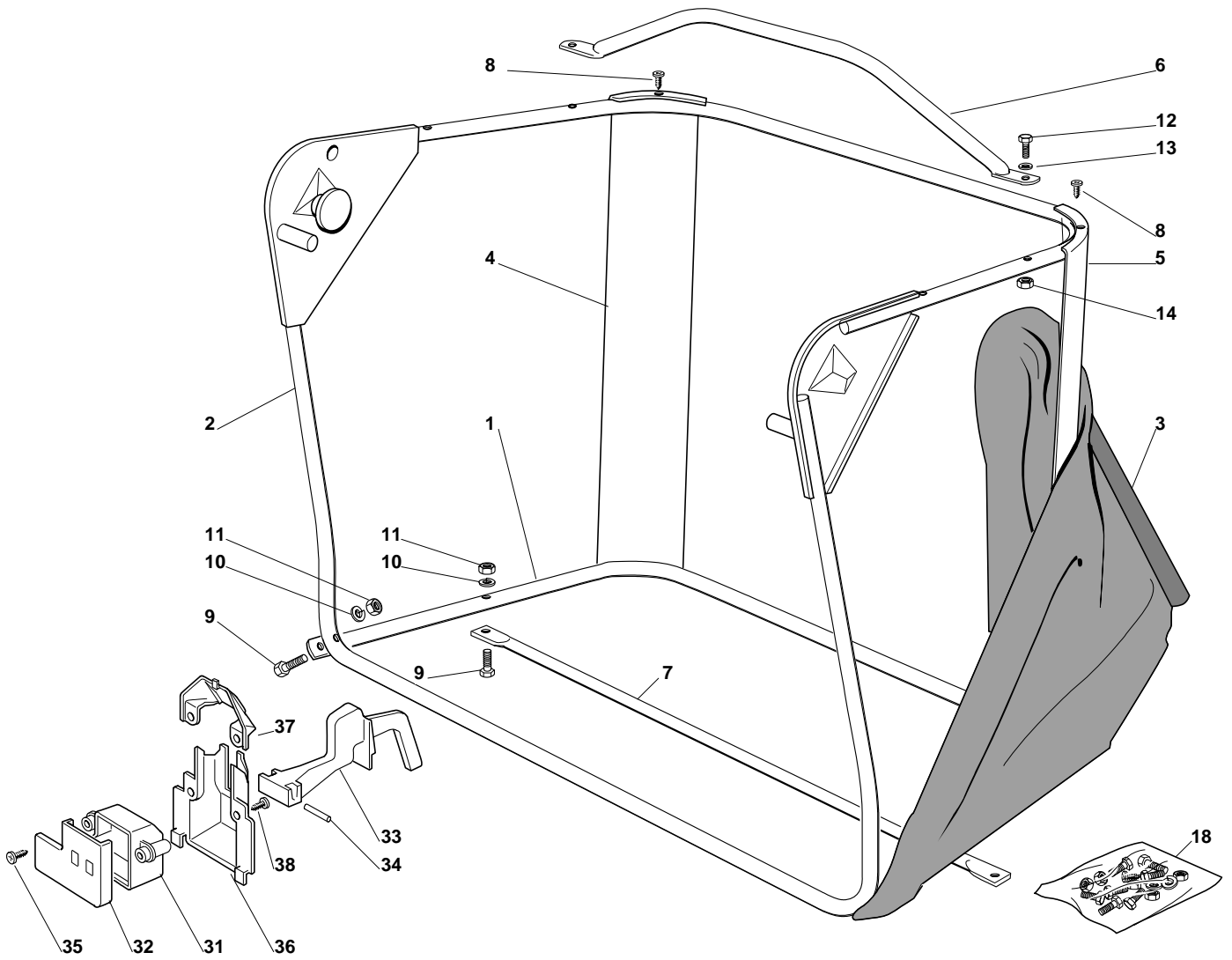




XF 130 - Model Year 2010

2009.OCS

Pos.	Part no.	Q.ty	Description	Remarks
1	384564079/1	1	Plate, Red	
2	25033060/0	1	Water Hose Connection	
3	19035000/0	1	Or Ring	
4	12500030/0	1	Rivet	
5	27045000/1	1	Conveyor Inlet	
6	12815210/0	6	Screw	
7	12523040/0	6	Washer	
8	12154510/0	6	Nut	
9	84207250/0	1	Flange Ass.Y (10÷14)	
10	27023000/0	1	Shaft	
12	19216032/0	2	Bearing	
13	25160501/0	1	Dust Cover	
14	12609260/0	1	Seeger	
15	12818700/0	4	Screw	
16	27787067/0	1	Support (Ggp)	
17	12154210/0	4	Nut	
18	25463200/0	1	Blade Hub	
19	12139100/0	1	Key	
20	84109503/0	1	Blade Mulching, Winged	
21	22160400/0	1	Elastic Washer	
22	12523080/0	1	Washer	
23	12735694/0	1	Screw	
24	27604009/0	1	Pulley	
25	12139480/0	1	Key	
26	12793102/0	1	Screw	
27	25670007/0	1	Washer	
28	12583500/0	1	Grower	
29	27488000/0	1	Air Intake Grill	
30	12815200/0	4	Screw	
31	12521340/0	4	Washer	
32	12154510/0	4	Nut	
33	12794970/0	1	Screw	
34	12523080/0	2	Washer	
35	12154250/0	1	Nut	
36	25510007/1	1	Pin	
37	12295200/0	1	Nut	
38	12156602/0	1	Nut	
39	12585100/0	1	Grower	
41	84109502/0	1	Blade, Winged	
51	27107501/0	1	Conveyor	
52	27140051/1	1	Deflector	
53	12735402/0	8	Screw	
54	27510097/1	1	Pin	
55	24487997/0	2	Cotter Pin	
56	84108051/0	1	Conveyor Ass.Y (51, 52, 53)	



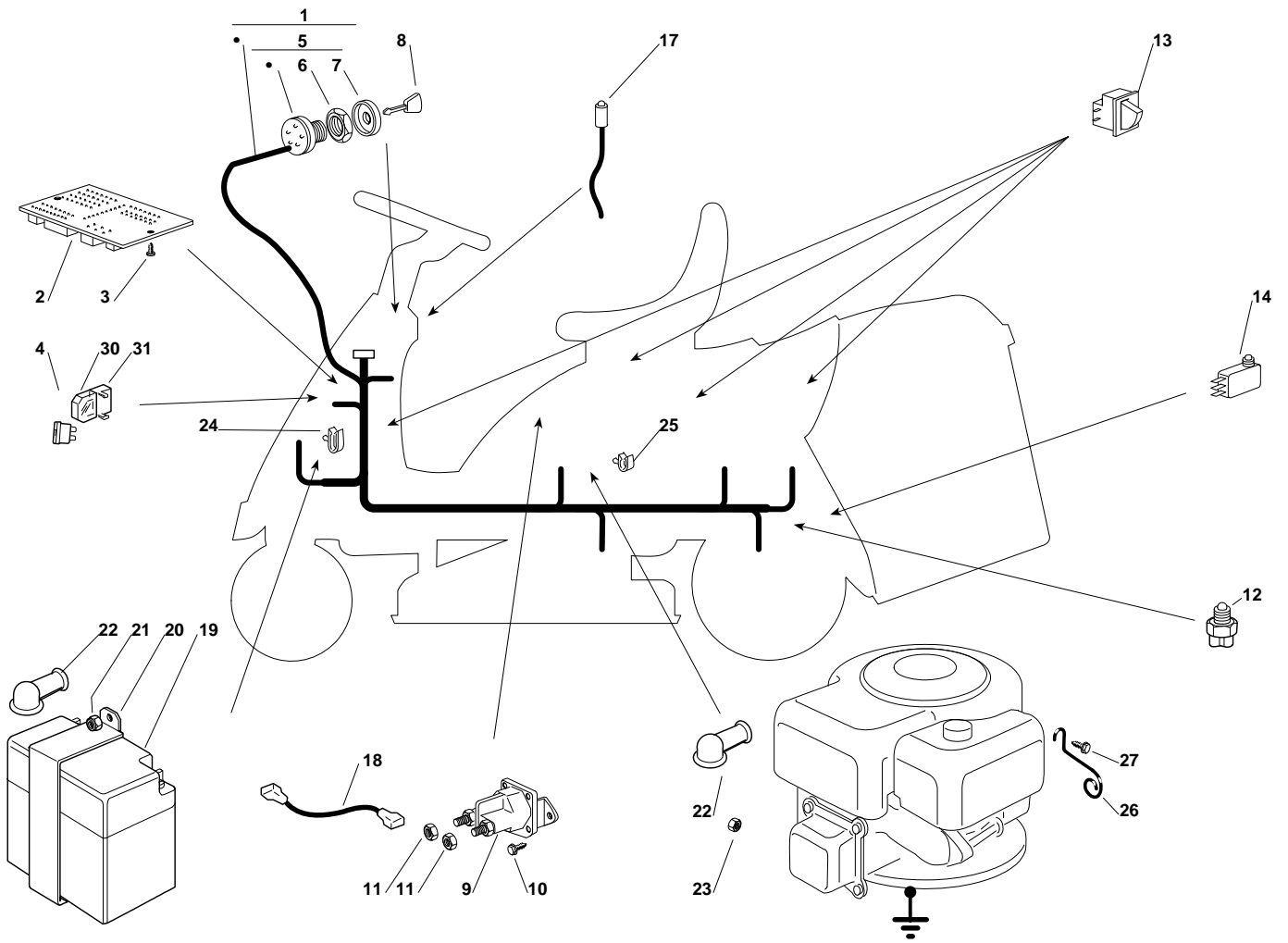


XF 130 - Model Year 2010

2010.0

Pos.	Part no.	Q.ty	Description	Remarks
1	84801103/0	1	Lower Frame	
2	84801105/1	1	Upper Frame	
3	184106069/0	1	Grasscatcher	
4	27010205/0	1	Right Angular Support	
5	27010207/0	1	Left Angular Support	
6	84869051/0	1	Rod	
7	84650100/0	1	Stiffening	
8	12729601/1	4	Screw	
9	12792099/0	4	Screw	
10	12582101/0	4	Grower	
11	12292100/0	4	Nut	
12	12674701/0	2	Screw	
13	12521331/0	2	Washer	
14	12154510/0	2	Nut	
18	84180180/0	1	Screws Outfit (8÷14)	
31	25600041/0	1	Micro Protection	
32	25600042/0	1	Protection Cover	
33	25318124/0	1	Lever	
34	12400030/0	1	Pin	
35	12728510/0	1	Screw	
36	25600047/0	1	Micro Protection	
37	25600048/0	1	Protection Cover	
38	12728450/0	2	Screw	

Electrical Parts

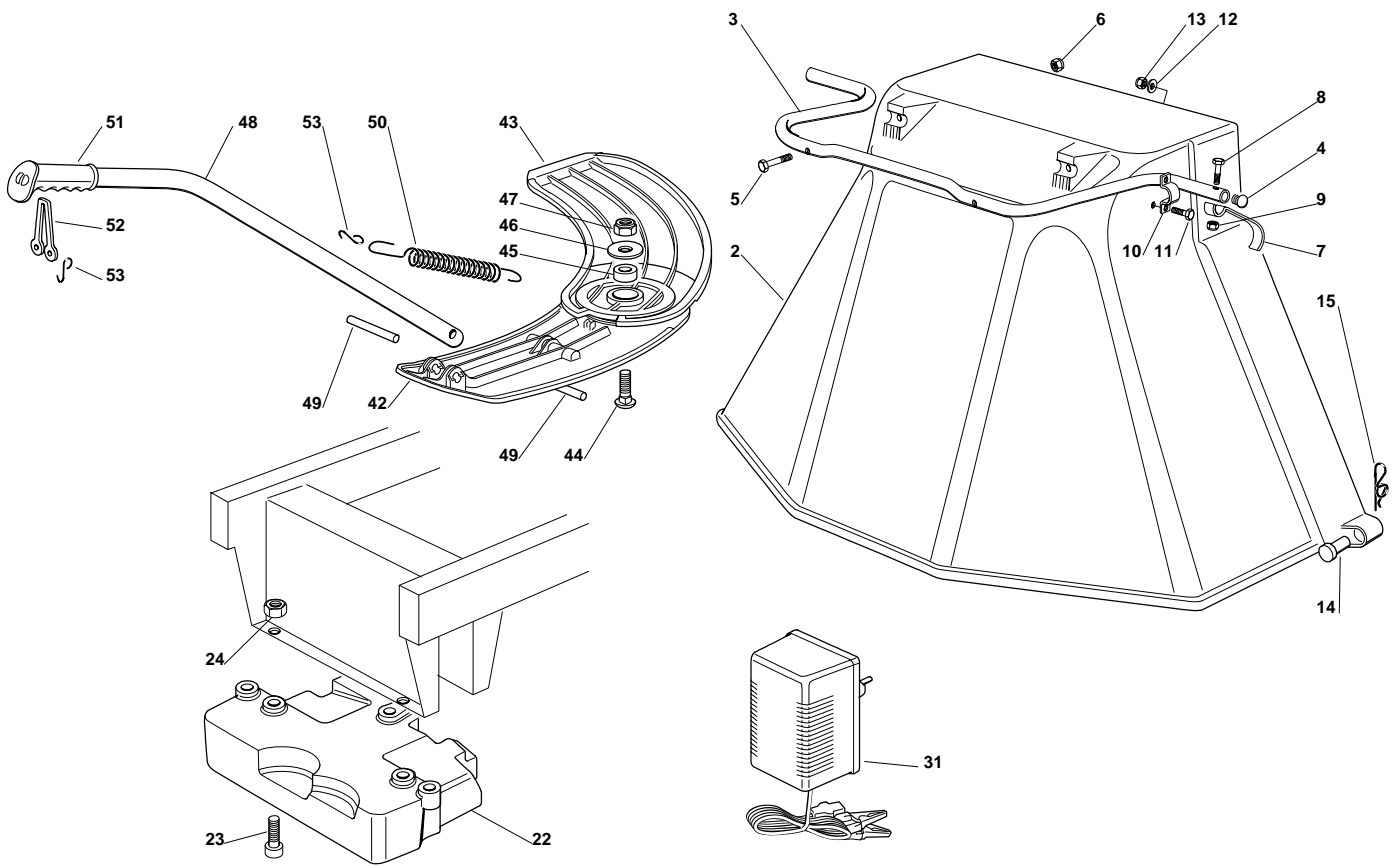




XF 130 - Model Year 2010

Electrical Parts

Pos.	Part no.	Q.ty	Description	Remarks
1	184040126/2	1	Cables	
2	25722415/1	1	Electronic Card	
3	12727810/0	2	Screw	
4	33340036/0	1	Fuse 25 A	
4	33340040/0	1	Fuse 10 A	
5	18450065/1	1	Starting Switch	
6	18400861/0	1	Ringnut	
7	18565351/0	1	Ringnut Protection	
8	18210016/1	1	Starting Key	
9	18736110/0	1	Starter Relay	
10	12735110/0	2	Screw	
11	12360352/0	2	Nut	
12	19410610/0	1	Neutral Switch (Mech.)	
13	119410615/0	4	Micro	
14	19410605/1	1	Full Grasscat. Microsw.	
17	25065014/1	1	Cable	
18	27065050/0	1	Cable	
19	18120002/1	1	Battery	
20	27772099/1	1	Clamp	
21	12155000/0	1	Nut	
22	18564861/1	2	Protection	
23	12361005/0	1	Nut	
24	33320506/0	3	Fairled	
25	33320504/0	1	Fairled	
26	27430561/0	1	Spring	
27	12735121/0	1	Screw	
30	33215000/0	2	Cover	
31	33500007/0	2	Fuse Carrier	

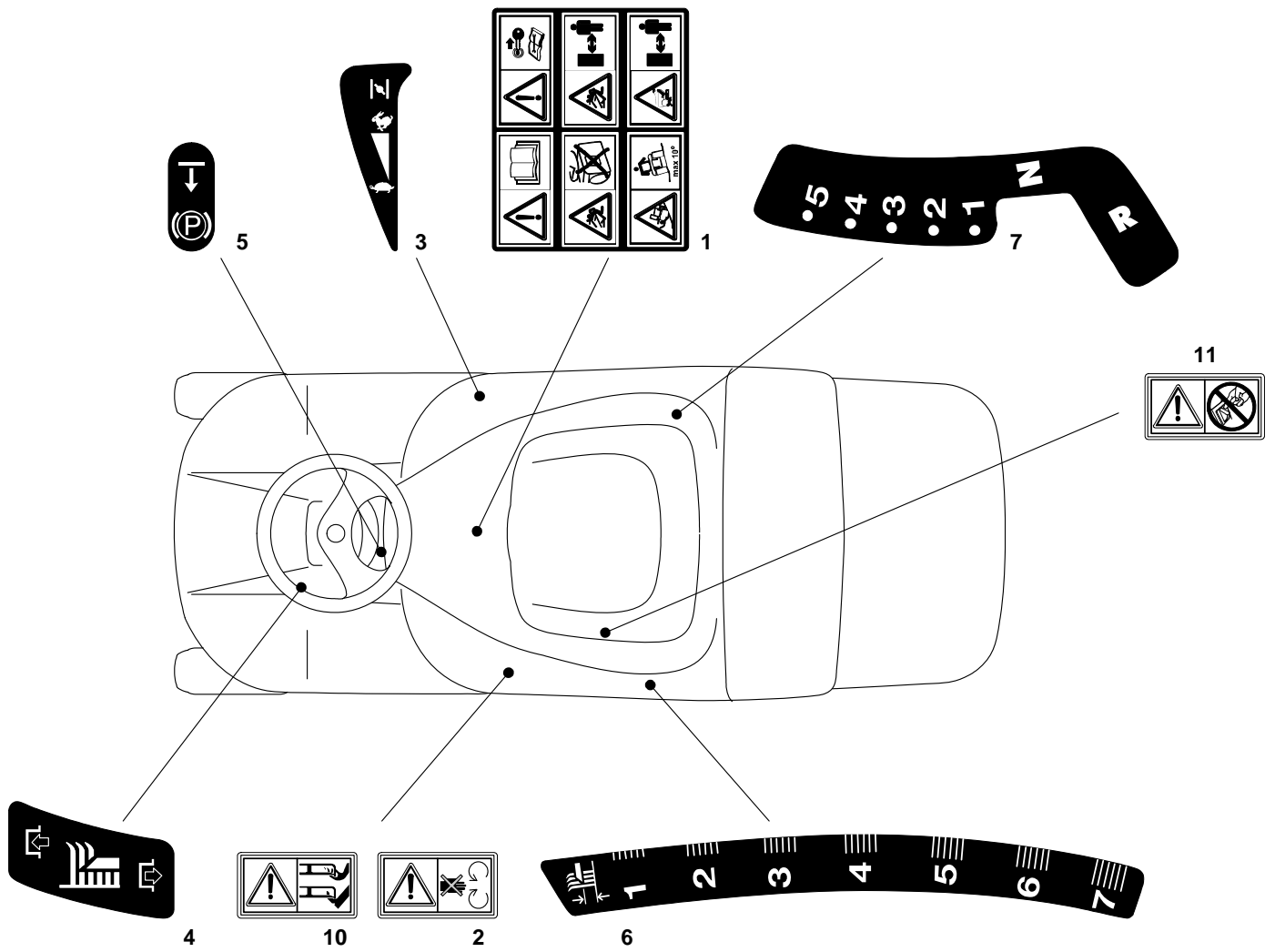




XF 130 - Model Year 2010

Optionals On Request

Pos.	Part no.	Q.ty	Description	Remarks
2	84598062/0	1	Ejection Guard	
3	27869053/0	1	Support	
4	18566113/0	2	Cap	
5	12674701/0	2	Screw	
6	12154510/0	2	Nut	
7	25547053/0	1	Plate	
8	12791500/0	1	Screw	
9	12154510/0	1	Nut	
10	25547049/0	2	Plate	
11	12788910/0	4	Screw	
12	12523020/0	4	Washer	
13	12154320/0	4	Nut	
14	25510022/0	2	Pin	
15	24487998/0	2	Cotter Pin	
22	25519997/1	1	Weight	
23	12760520/0	3	Screw	
24	12155000/0	3	Nut	
31	182180090/0	1	Battery Charger	
31	182180091/0	1	Battery Charger (U.K.)	for UK
42	27140055/0	1	Deflector, Rear	
43	27140054/0	1	Deflector, Front	
44	12818700/0	1	Screw	
45	27047013/0	1	Bushing	
46	22672152/0	1	Washer	
47	12155000/0	1	Nut	
48	27394003/2	1	Handle	
49	27510116/0	2	Pin	
50	25430229/1	1	Spring	
51	25280000/1	1	Handgrip	
52	25840011/1	1	Elastic Tie-Rod	
53	25253004/0	3	Hook	





XF 130 - Model Year 2010

2013.M

Pos.	Part no.	Q.ty	Description	Remarks
1	114357428/1	1	Label	
2	114357519/2	1	Label	
3	114357425/1	1	Label	
4	14357431/0	1	Label	
5	114357526/1	1	Label	
6	14357427/0	1	Label	
7	14357426/0	1	Label	
10	114356699/1	2	Label	
11	14360118/0	1	Label	