

Genuine Spare Parts

NT 480 TR

Catalogo delle parti di ricambio
Spare parts catalogue
Catalogue des pieces de rechange
Ersatzteilkatalog

2011

- Use GLOBAL GARDEN PRODUCT Genuine Spare Parts specified in the parts list for repair and/or replacement.
- The contents described in the parts list may change due to improvement.
- The drawings of the spare parts are only indicative and might not represent the part in question exactly.
- The indications "right" - "left" - "front" - "rear" refer to the position of the operator when using the machine.
- When placing orders of parts for repair and/or replacement, make sure that the illustrated parts list is the one applying to the machine's year of manufacture, as shown on the identification plate attached to the machine.

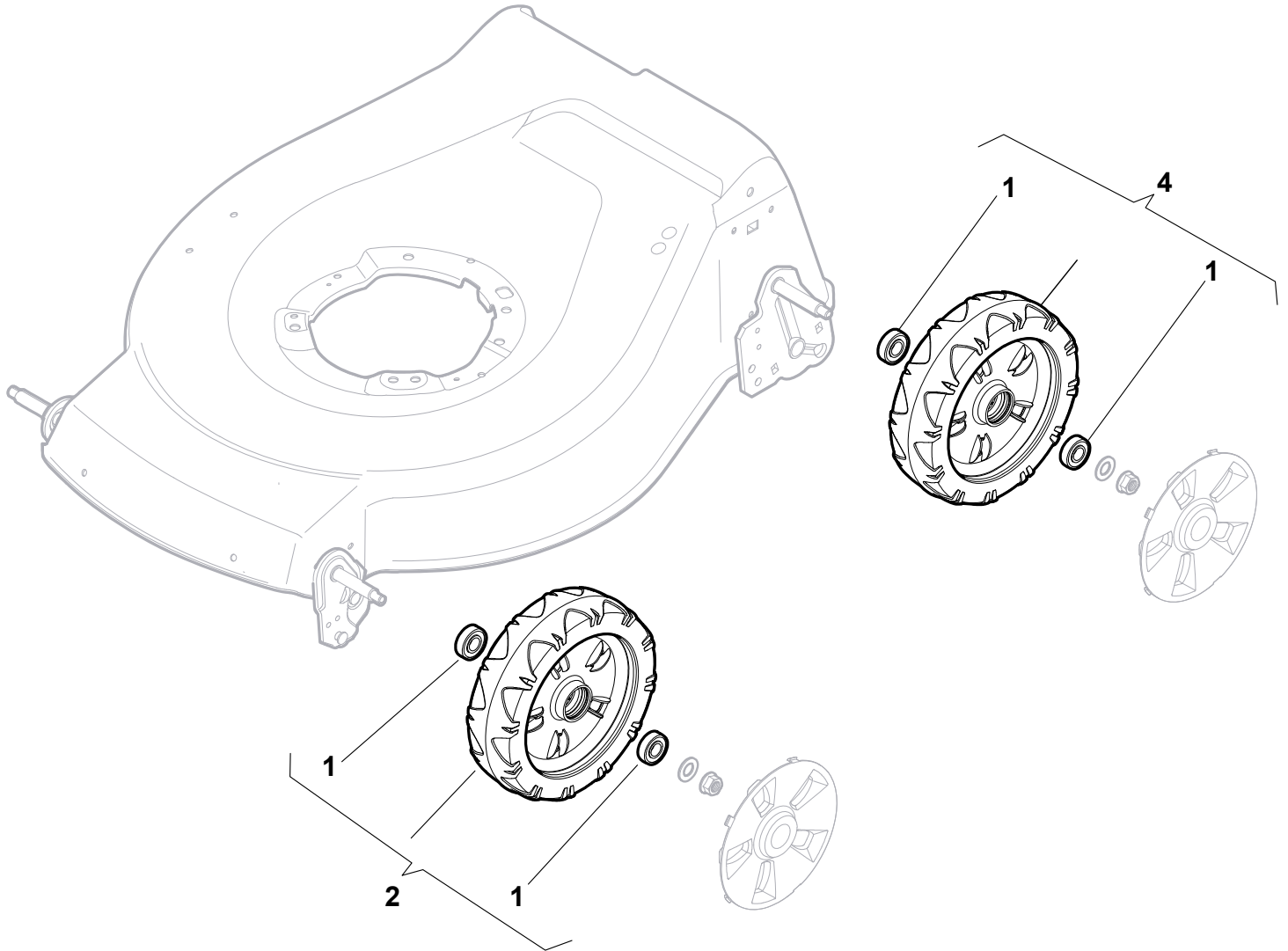
© Copyright 2011 Global Garden Products

All content is subject to copyright by Global Garden Products and may not be reproduced in whole or in part by any means, electronic or otherwise, without prior written approval.

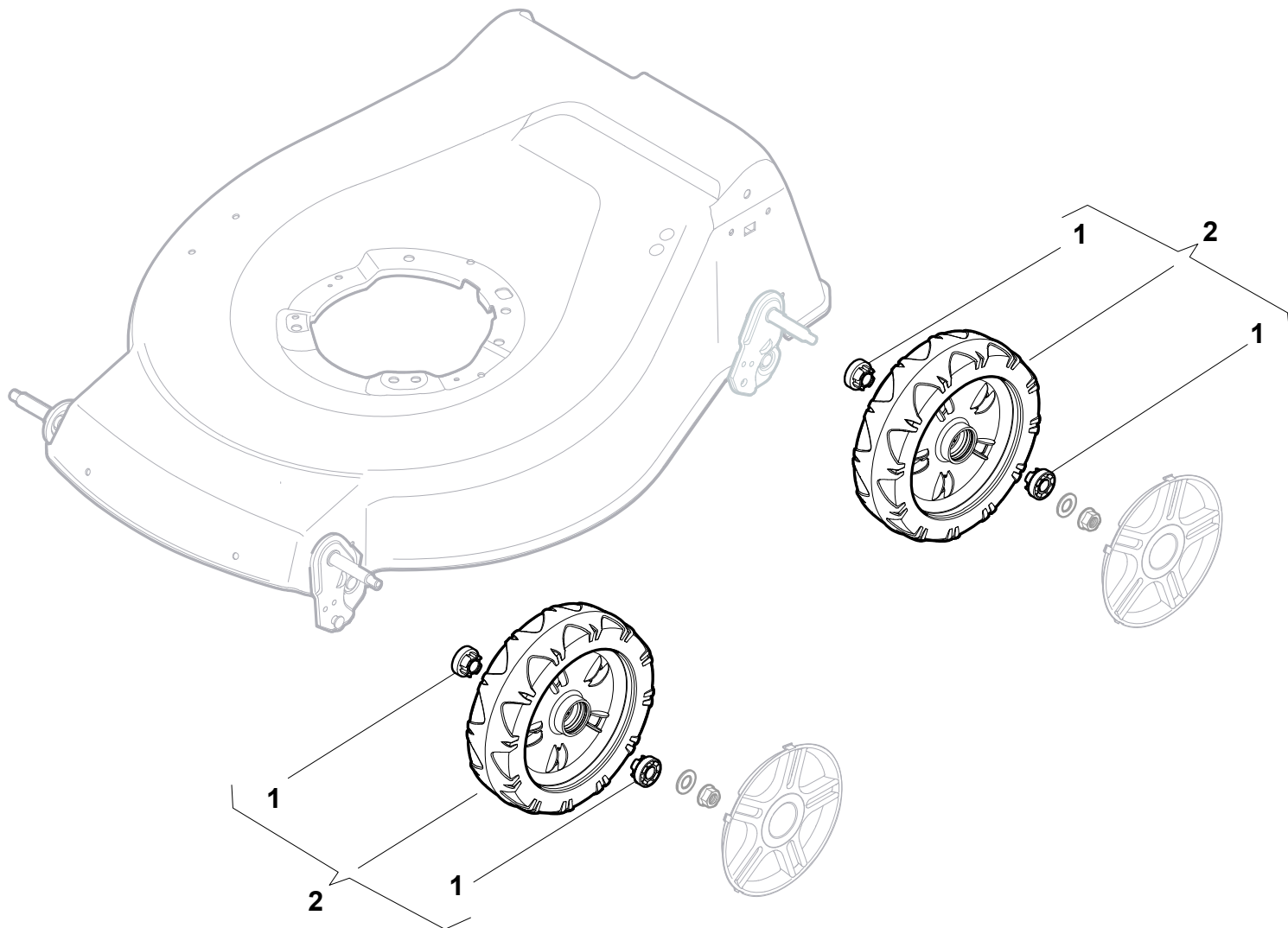
THIS INFORMATION IS NOT INTENDED FOR SALE OR RESALE, AND THIS NOTICE MUST REMAIN ON ALL COPIES.



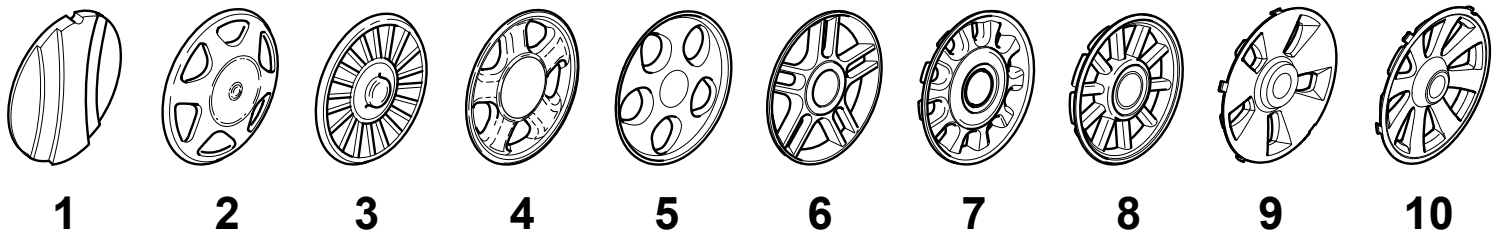
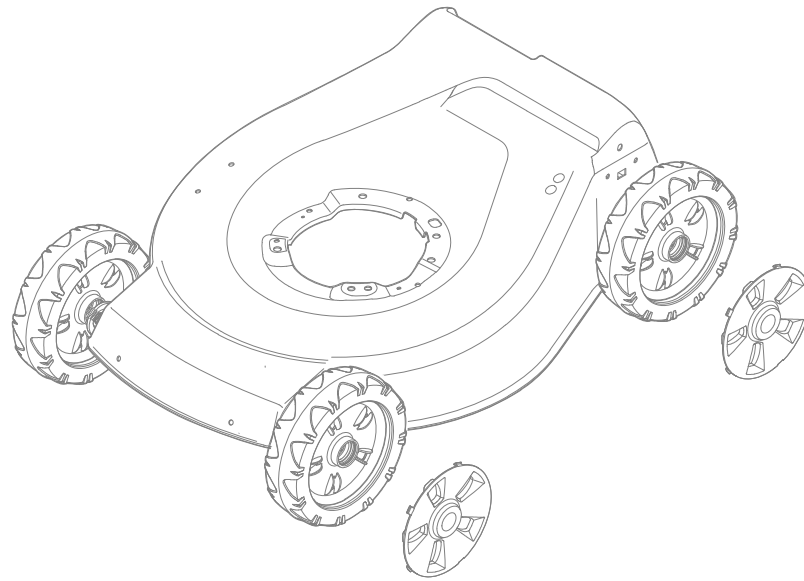
GLOBAL GARDEN PRODUCTS



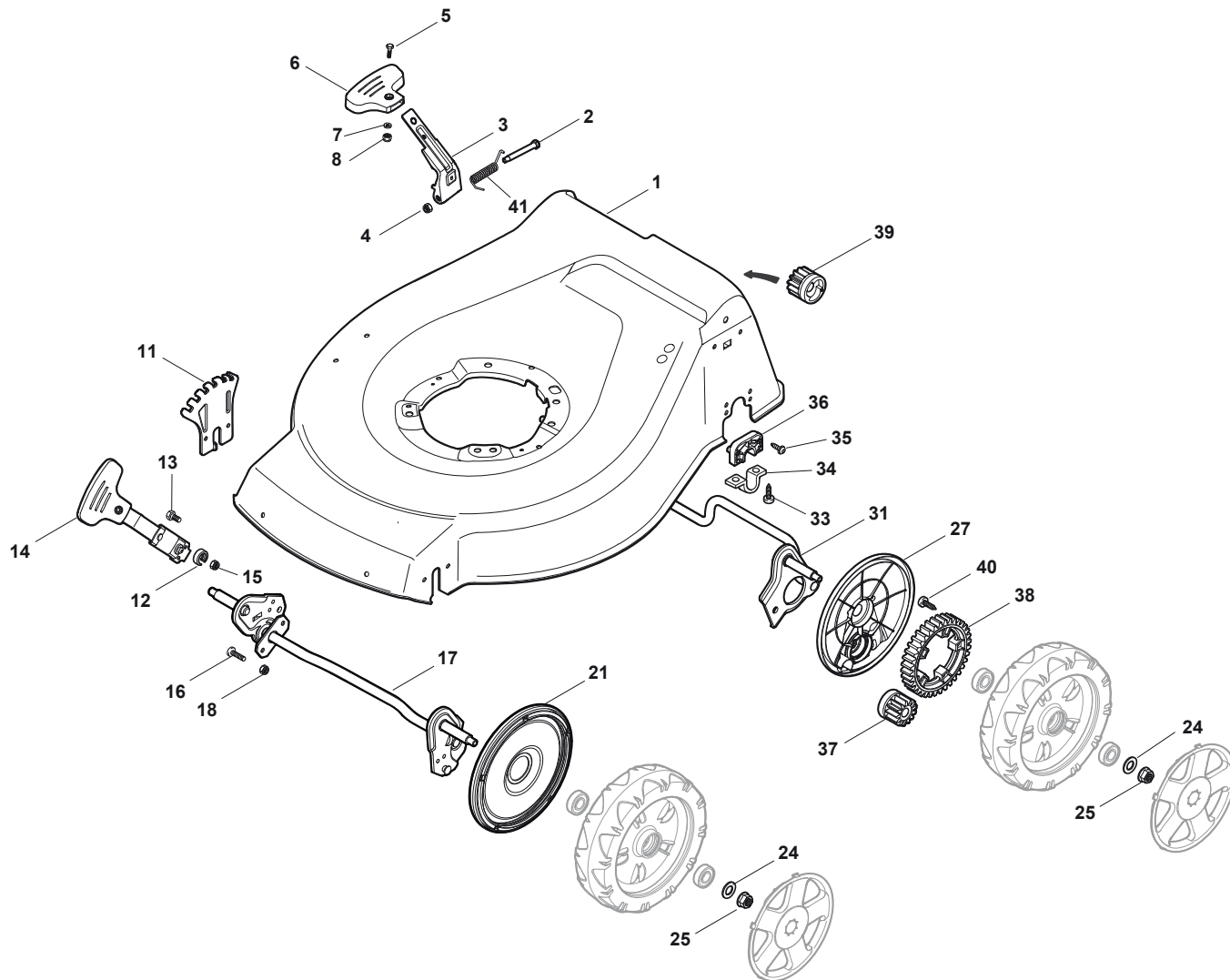
N.	CODE	Q.TY	DESCRIZIONE	DESCRIPTION	DESCRIPTION	BESCHREIBUNG	REMARK
1	19216035/0	8	Cuscinetto	Bearing	Coussinet	Lager	
2	381007416/1	4	Ruota Ø 200	Ruota Ø 200	Roue Ø 200	Rad Ø 200	



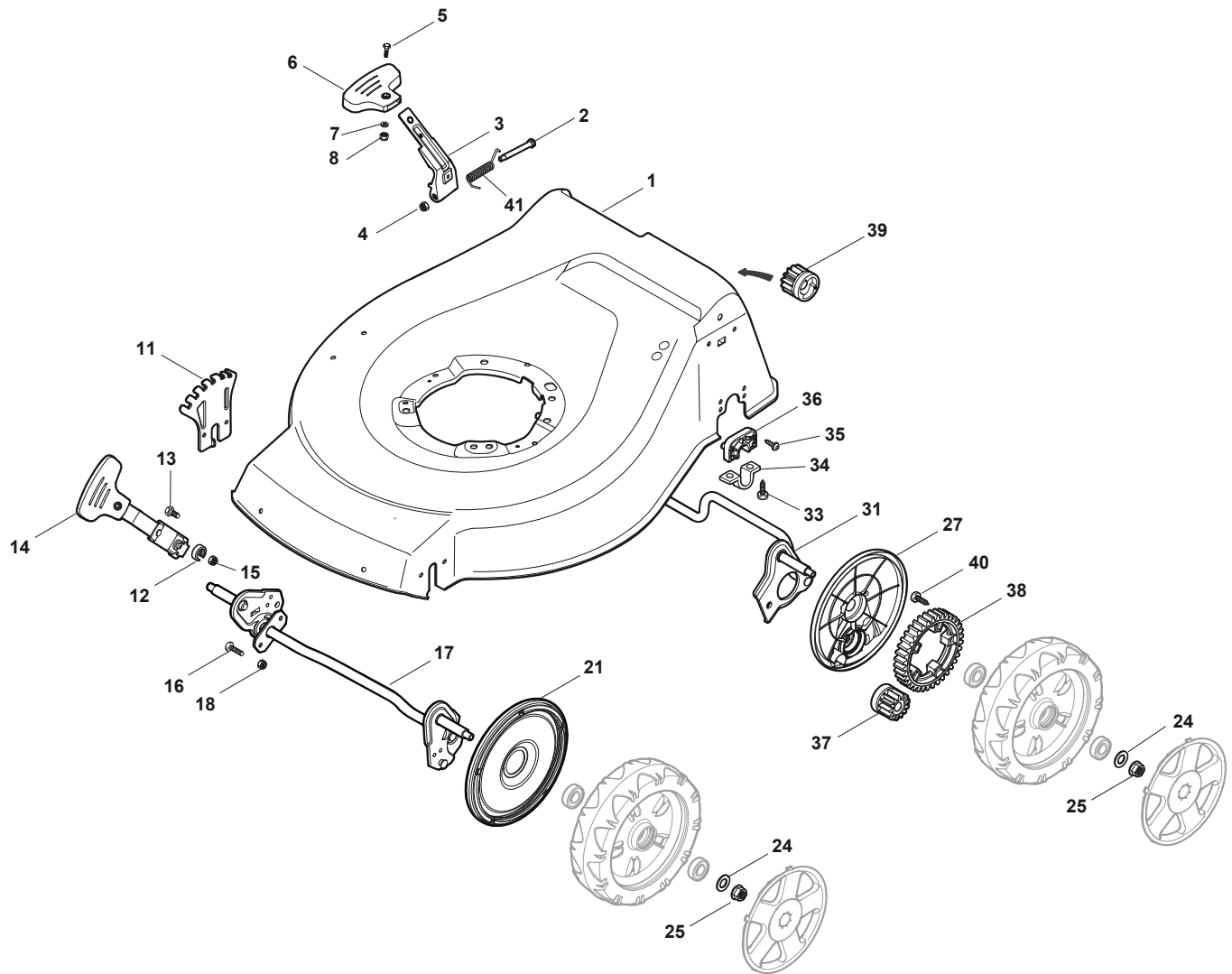
N.	CODE	Q.TY	DESCRIZIONE	DESCRIPTION	DESCRIPTION	BESCHREIBUNG	REMARK
1	322042063/0	8	Bussola	Bearing	Coussinet	Lager	
2	381007435/0	4	Ruota Ø 200	Ruota Ø 200	Roue Ø 200	Rad Ø 200	



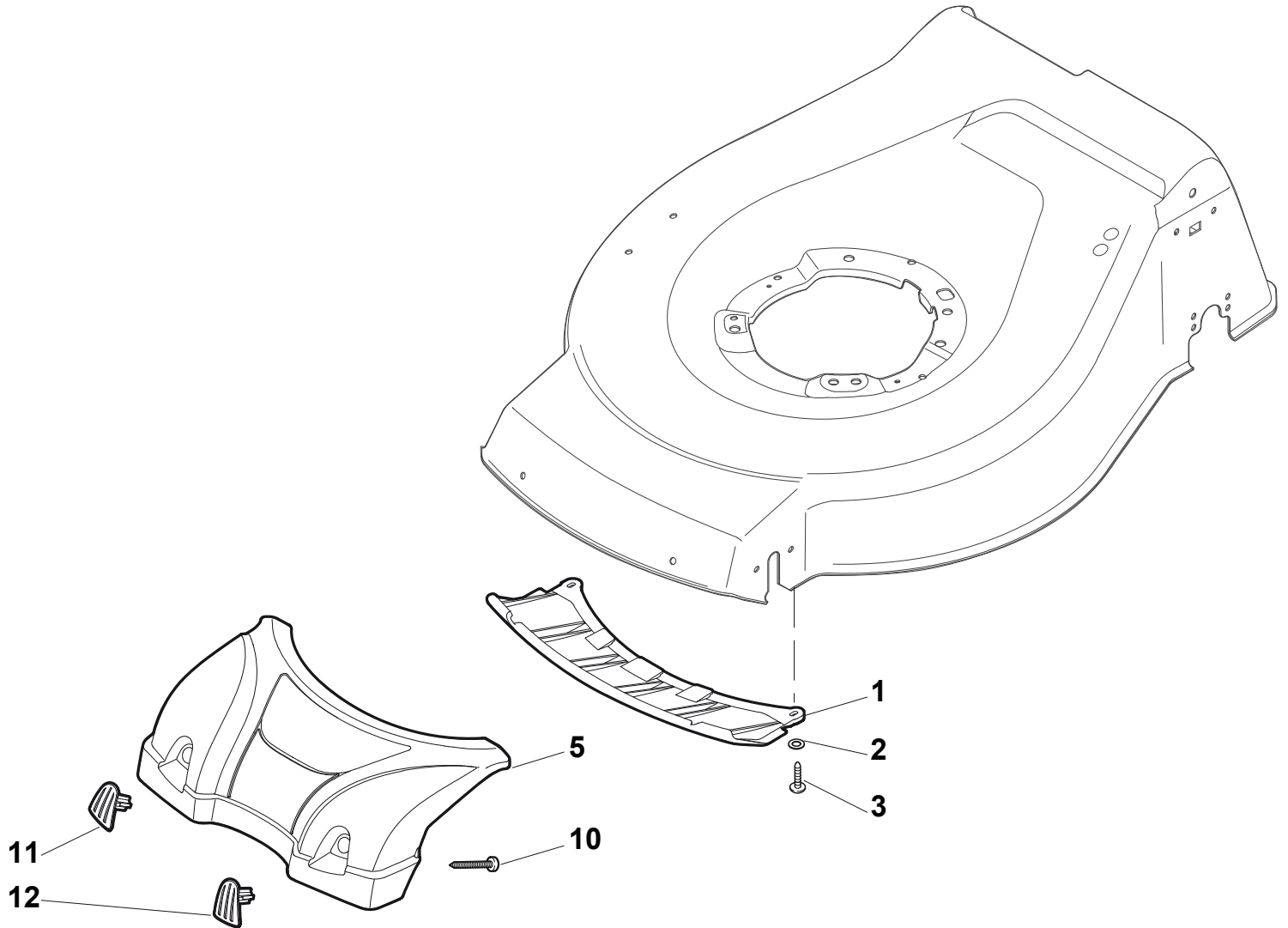
N.	CODE	Q.TY	DESCRIZIONE	DESCRIPTION	DESCRIPTION	BESCHREIBUNG	REMARK
1	22110251/0	2	Coprismozzo Bianco	Hub Cap White	Couvre-Moyeu	Radkappe Weiße	
1	22110253/0	2	Coprismozzo Giallo	Hub Cap Yellow	Couvre-Moyeu	Radkappe Gelbe	
1	22110256/0	2	Coprismozzo Rosso	Hub Cap Red	Couvre-Moyeu	Radkappe Rote	
1	22110382/0	2	Coprismozzo Grigio	Hub Cap Grey	Couvre-Moyeu Gris	Radkappe Grau	
2	22110313/0	2	Coprismozzo Bianco	Hub Cap White	Couvre-Moyeu	Radkappe Weiße	
2	22110314/0	2	Coprismozzo Grigio	Hub Cap Grey	Couvre-Moyeu Gris	Radkappe Grau	
3	22110348/0	2	Coprismozzo Grigio	Hub Cap Grey	Couvre-Moyeu Gris	Radkappe Grau	
4	22110382/0	2	Coprismozzo Grigio	Hub Cap Grey	Couvre-Moyeu Gris	Radkappe Grau	
5	22110417/0	2	Coprismozzo Grigio	Hub Cap Grey	Couvre-Moyeu Gris	Radkappe Grau	
6	22110492/0	2	Coprismozzo Grigio	Hub Cap Grey	Couvre-Moyeu Gris	Radkappe Grau	
7	22110494/0	2	Coprismozzo Grigio	Hub Cap Grey	Couvre-Moyeu Gris	Radkappe Grau	
8	22110496/0	2	Coprismozzo Grigio	Hub Cap Grey	Couvre-Moyeu Gris	Radkappe Grau	
9	322110643/0	2	Coprismozzo Grigio	Hub Cap Grey	Couvre-Moyeu	Radkappe	
10	322110645/0	2	Coprismozzo Grigio	Hub Cap Grey	Couvre-Moyeu	Radkappe	



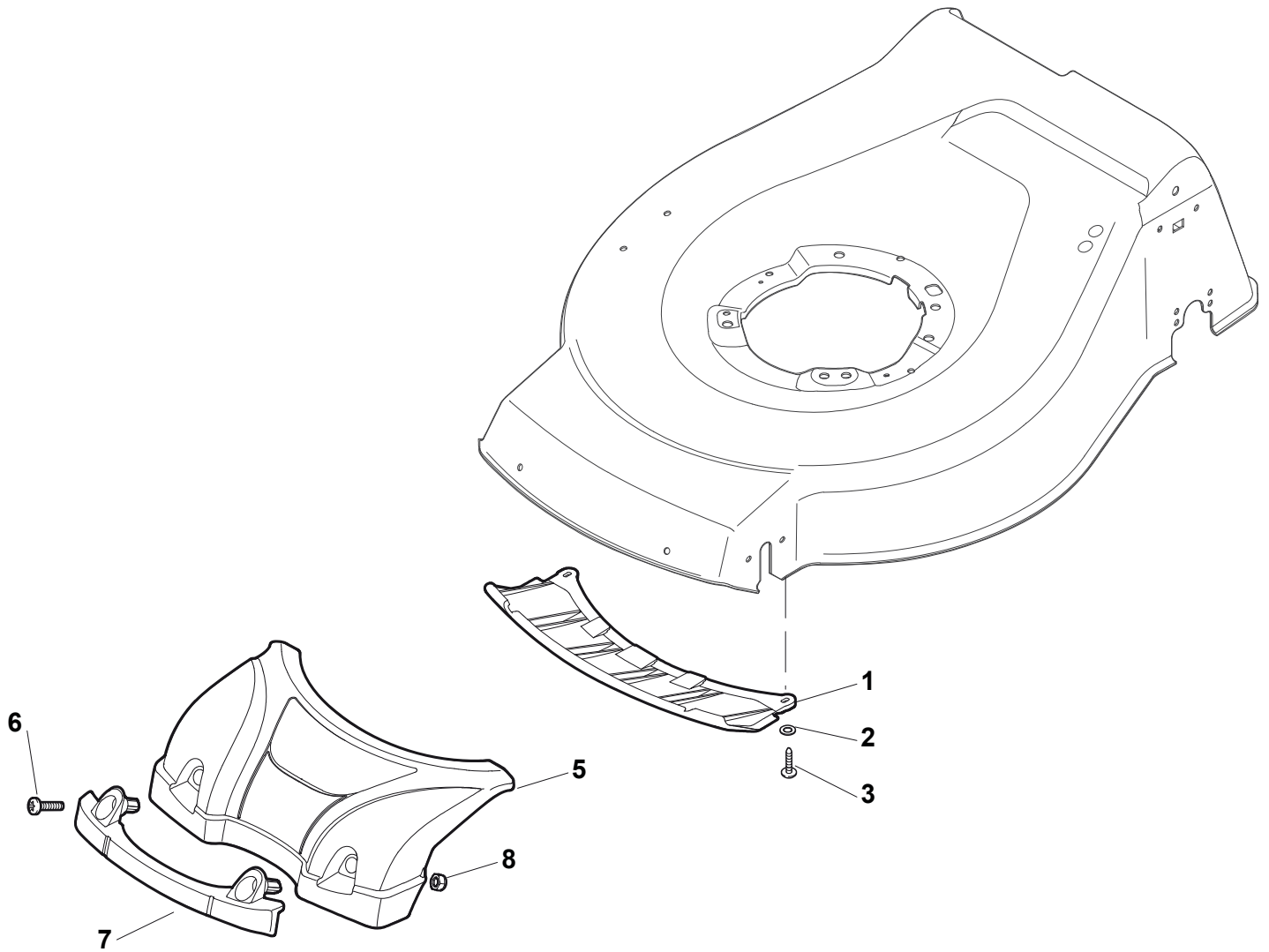
N.	CODE	Q.TY	DESCRIZIONE	DESCRIPTION	DESCRIPTION	BESCHREIBUNG	REMARK
1	381003908/0	1	Chassis Rosso	Deck Red	Châssis Rouge	Gehäuse Rot	
1	381003914/0	1	Chassis Giallo	Deck Yellow	Châssis Jaune	Gehäuse Gelb	
1	381003916/0	1	Chassis Nero	Deck Black	Châssis Noir	Gehäuse Schwarz	
1	381003977/0	1	Chassis Grigio	Deck Grey	Châssis Gris	Gehäuse Grau	
2	122534131/0	1	Perno	Pin	Pivot	Bolzen	
3	322322851/0	1	Leva Regolazione Altezza	Lever, Height Adjustment	Levier, Reglage Hauteur	Hebel, Höhenverstellung	
4	112154510/0	1	Dado	Nut	Ecrou	Mutter	
5	12788512/0	1	Vite	Screw	Vis	Schraube	
6	322394503/0	1	Manopolina	Knob	Poignée	Griff	
7	12521310/0	1	Rondella	Washer	Rondelle	Scheibe	
8	12150000/0	1	Dado	Nut	Ecrou	Mutter	
11	322735587/0	1	Settore Regolazione Altezza	Sector, Height Adjustment	Secteur Reglage Hauteur	Sektor, Höhenverstellung	
12	22171002/0	2	Distanziale	Spacer	Entretoise	Distanzring	
13	12789000/0	2	Vite	Screw	Vis	Schraube	
14	381003351/0	1	Leva Regolazione Altezza	Lever, Height Adjustment	Levier Reglage Hauteur	Hebel, Höhenverstellung	
15	12154330/0	2	Dado	Nut	Ecrou	Mutter	
16	112727803/0	4	Vite	Screw	Vis	Schraube	
17	381002881/0	1	Asse Ruote Anteriori	Axle, Front Wheels	Axe Roues Avant	Achse, Vorderrad	
18	12154510/0	4	Dado	Nut	Ecrou	Mutter	
21	322600145/0	2	Prot. Ruote	Protection, Wheel	Protection Roue	Schütz, Räder	
24	12521350/0	4	Rosetta	Washer	Rondelle	Scheibe	
25	12155000/0	4	Dado	Nut	Ecrou	Mutter	
27	322600193/0	2	Prot. Ruote	Protection, Wheel	Protection Roue	Schütz, Räder	
31	381302827/0	1	Asse Ruote Posteriori	Axle, Rear Wheels	Axe Roues Arriere	Achse, Hinterrad	
32	122450460/0	1	Molla	Spring	Ressort	Feder	
33	112728697/0	4	Vite	Screw	Vis	Schraube	
34	22545152/0	2	Piastrina	Plate	Plaquette	Platte	



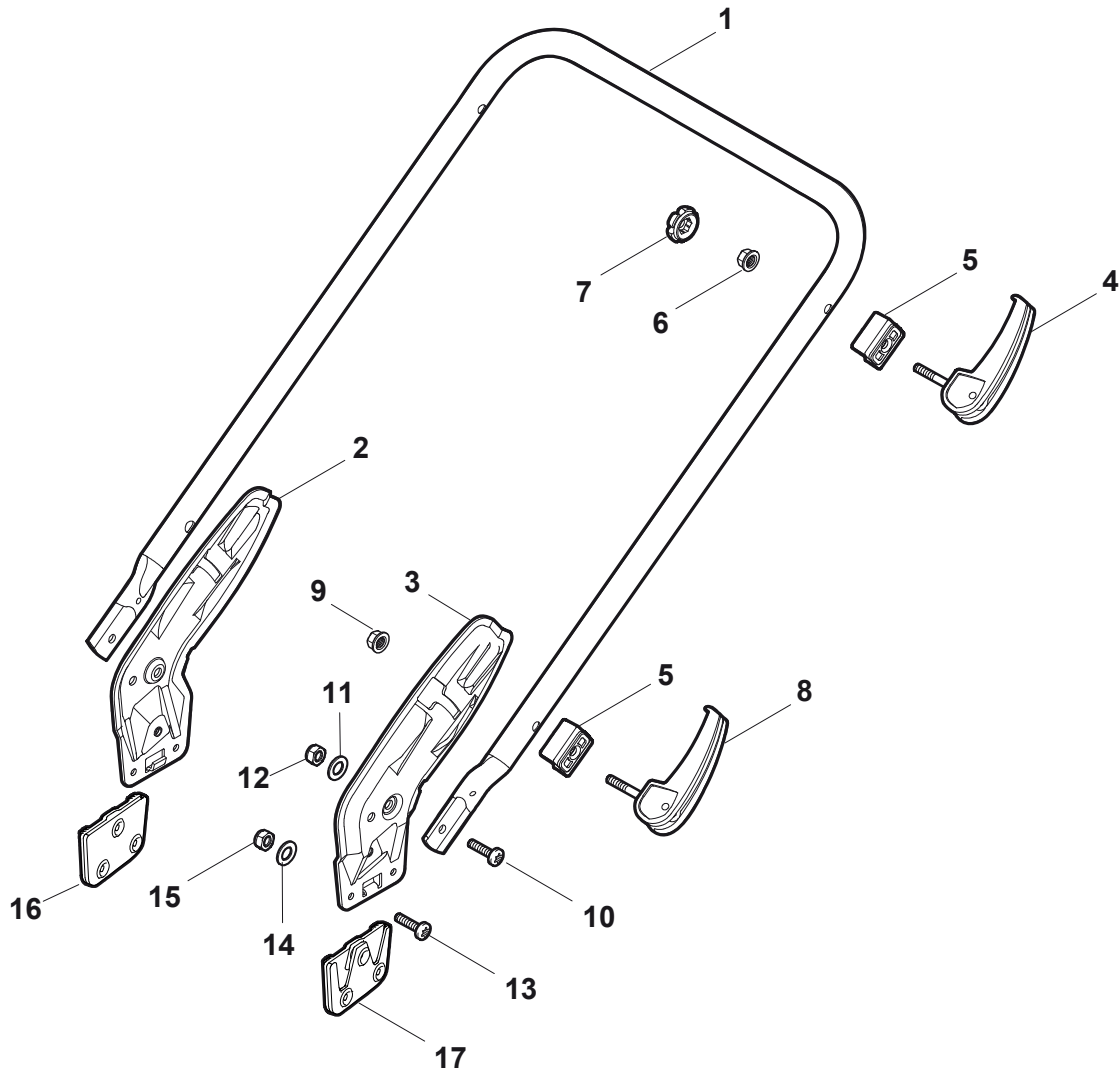
N. CODE	Q.TY	DESCRIZIONE	DESCRIPTION	DESCRIPTION	BESCHREIBUNG	REMARK	
35	112728697/0	4	Vite	Screw	Vis	Schraube	
36	322785304/0	2	Supporto	Support	Support	Halter	
37	22570120/1	1	Pignone Sx	Pinion L	Pignon G	Ritzel Linkes	
38	322120114/0	2	Corona Trascinamento	Ring Gear	Couronne	Kranz	
39	22570110/1	1	Pignone Dx	Pinion R	Pignon D	Ritzel Rechtes	
40	122446192/0	1	Molla	Spring	Ressort	Feder	



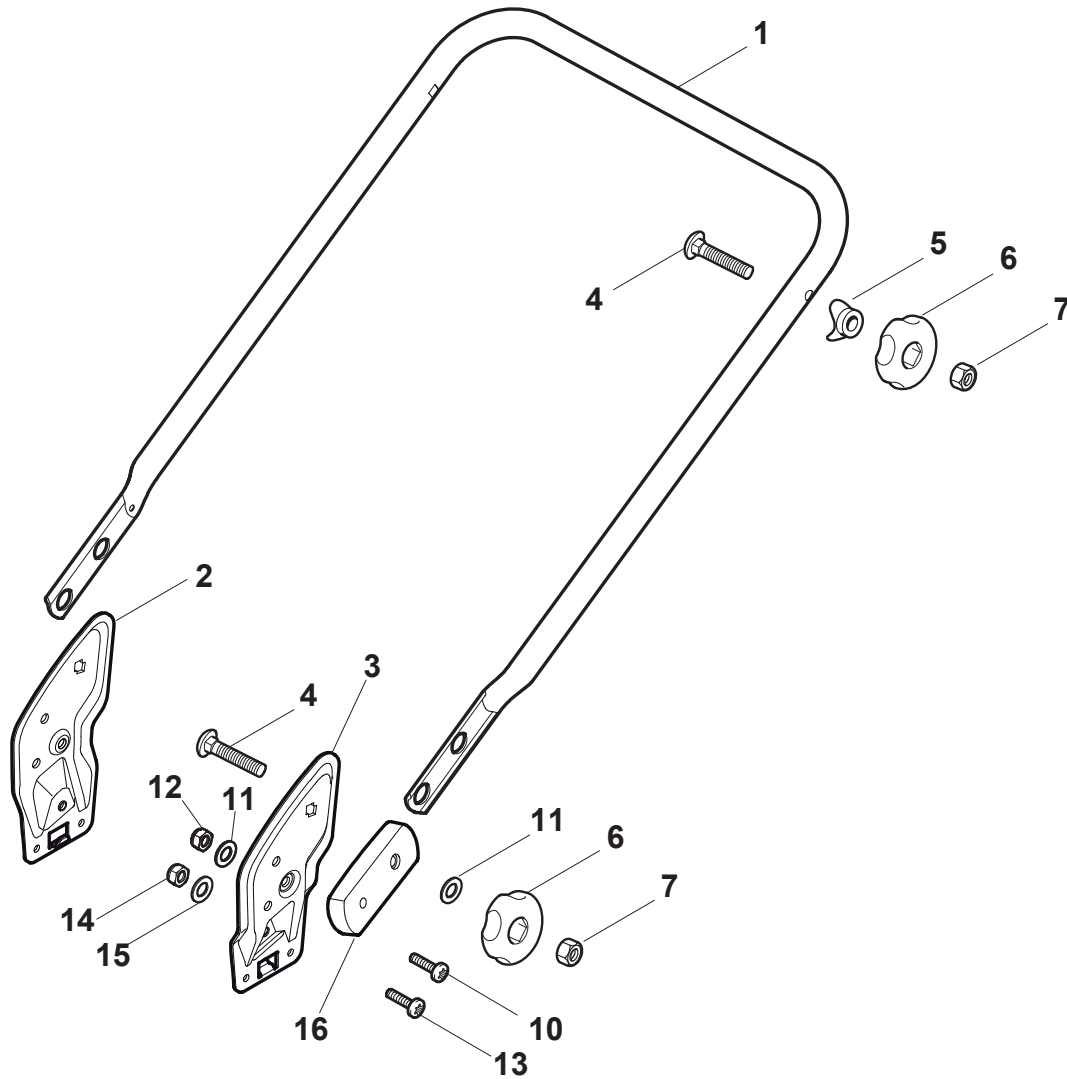
N.	CODE	Q.TY	DESCRIZIONE	DESCRIPTION	DESCRIPTION	BESCHREIBUNG	REMARK
1	322500102/0	1	Griglia Aspirazione	Air Intake Grill	Grille D'Aspiration	Ansauggitter	
2	112523000/1	2	Rosetta	Washer	Rondelle	Scheibe	
3	12728124/0	2	Vite	Screw	Vis	Schraube	
5	322226143/0	1	Mascherina, Rosso	Mask, Red	Mesque, Rouge	Maske, Rot	
5	322226153/0	1	Mascherina, Nero	Mask, Black	Mesque, Noire	Maske, Schwarz	
5	322226155/0	1	Mascherina, Giallo	Mask, Yellow	Mesque, Jaune	Maske, Gelb	
10	112728697/0	2	Vite	Screw	Vis	Schraube	
11	322820082/0	1	Tappo	Cap	Bouchon	Gummistopfen	
12	322820083/0	1	Tappo	Cap	Bouchon	Gummistopfen	



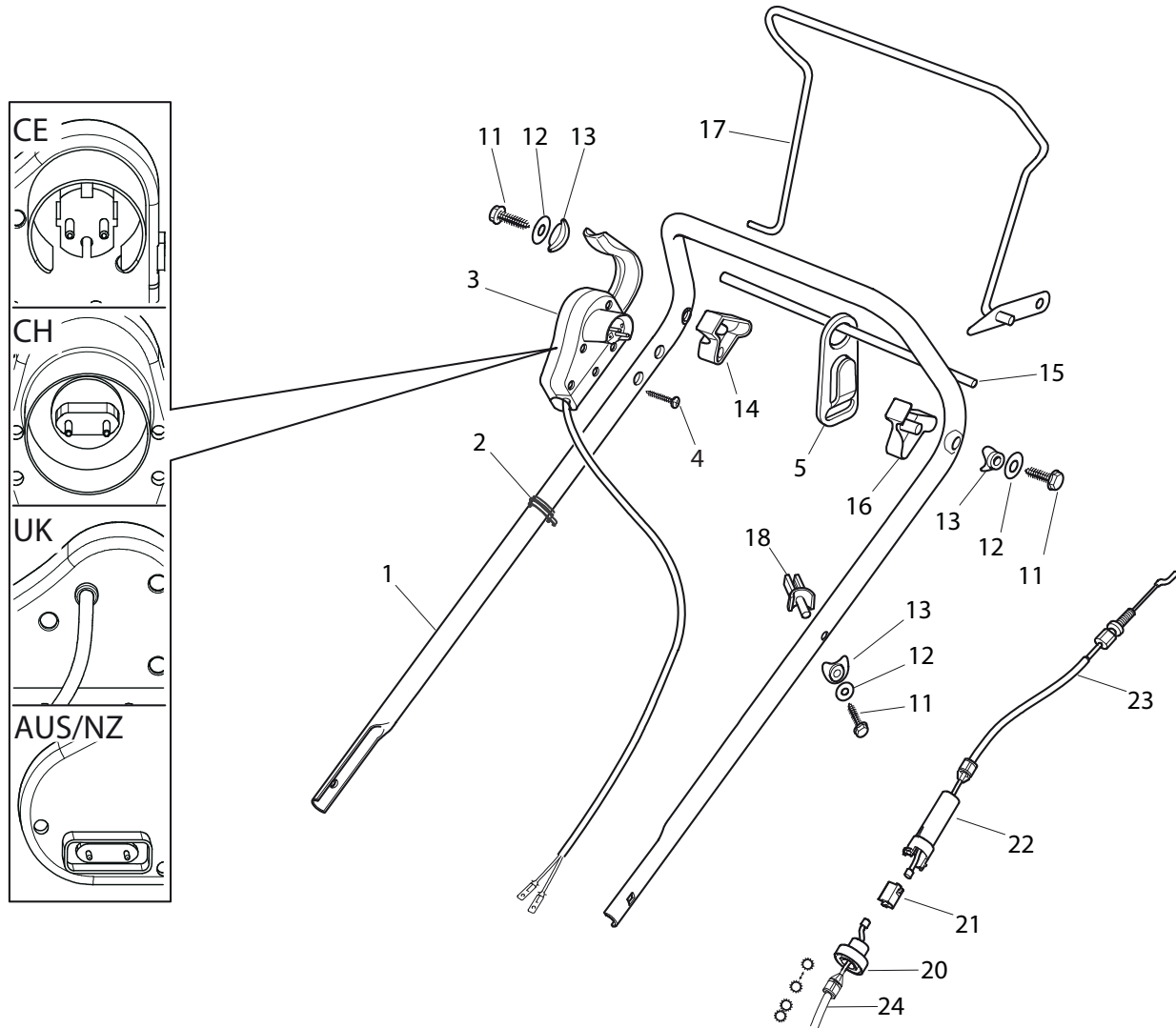
N.	CODE	Q.TY	DESCRIZIONE	DESCRIPTION	DESCRIPTION	BESCHREIBUNG	REMARK
1	322500102/0	1	Griglia Aspirazione	Air Intake Grill	Grille D'Aspiration	Ansauggitter	
2	112523000/1	2	Rosetta	Washer	Rondelle	Scheibe	
3	12728124/0	2	Vite	Screw	Vis	Schraube	
5	322226143/0	1	Mascherina, Rosso	Mask, Red	Mesque, Rouge	Maske, Rot	
5	322226153/0	1	Mascherina, Nero	Mask, Black	Mesque, Noire	Maske, Schwarz	
5	322226155/0	1	Mascherina, Giallo	Mask, Yellow	Mesque, Jaune	Maske, Gelb	
6	112727799/0	2	Vite	Screw	Vis	Schraube	
7	322393638/0	1	Maniglia, Nero	Handle, Black	Poignee, Noire	Griff, Schwarz	
7	322393639/0	1	Maniglia, Grigio	Handle, Grey	Poignee, Gris	Griff, Grau	
7	322393640/0	1	Maniglia, Gialla	Handle, Yellow	Poignee, Jaune	Griff, Gelb	
8	12154510/0	2	Dado	Nut	Ecrou	Mutter	



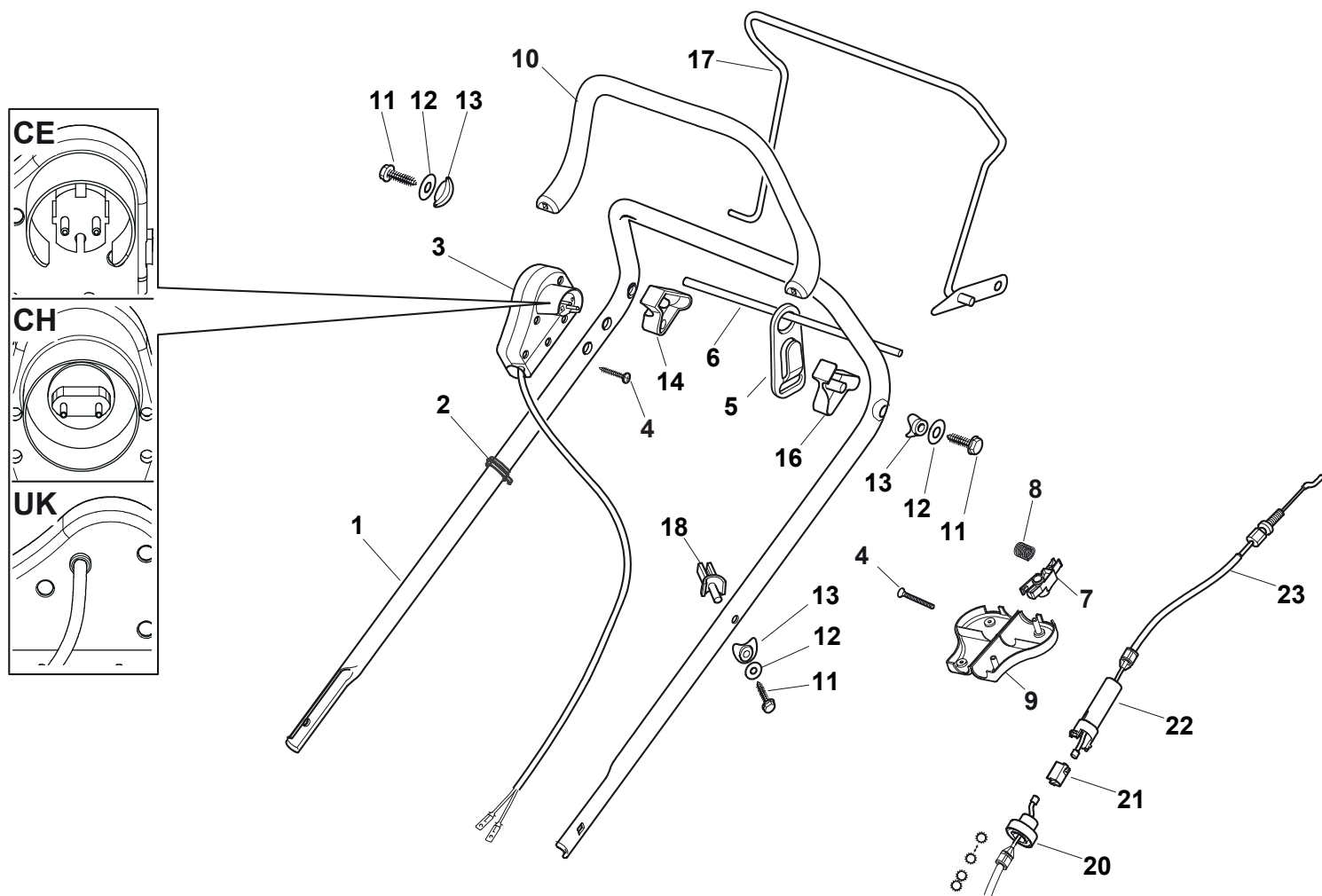
N.	CODE	Q.TY	DESCRIZIONE	DESCRIPTION	DESCRIPTION	BESCHREIBUNG	REMARK
1	381006889/0	1	Manico, Parte Inf	Handle, Lower Part	Mancheron, Partie Inferieure	Holm, Unterteil	
2	381005125/0	1	Staffa Dx	Bracket, R	Bride D	Pratze, Rechte	
3	381005127/0	1	Staffa Sx	Bracket, L	Bride G	Pratze, Linke	
4	381003253/0	2	Maniglia	Handle	Poignee	Griff	
5	322680016/0	4	Supporto	Support	Support	Halter	
6	22131750/0	2	Dado	Nut	Ecrou	Mutter	
7	322399835/0	2	Manopolina	Knob	Poignée	Griff	
8	381003254/0	2	Maniglia	Handle	Poignee	Griff	
9	112154220/0	2	Dado	Nut	Ecrou	Mutter	
10	12760605/0	2	Vite	Screw	Vis	Schraube	
11	12521350/0	2	Rosetta	Washer	Rondelle	Scheibe	
12	12155000/0	2	Dado	Nut	Ecrou	Mutter	
13	112727803/0	6	Vite	Screw	Vis	Schraube	
14	12523040/0	6	Rosetta	Washer	Rondelle	Scheibe	
15	12154510/0	6	Dado	Nut	Ecrou	Mutter	
16	322551580/0	1	Piastrina Isolamento	Isolation Plate	Plaquette De Isolement	Absonderung Platte	
17	322551581/0	1	Piastrina Isolamento	Isolation Plate	Plaquette De Isolement	Absonderung Platte	



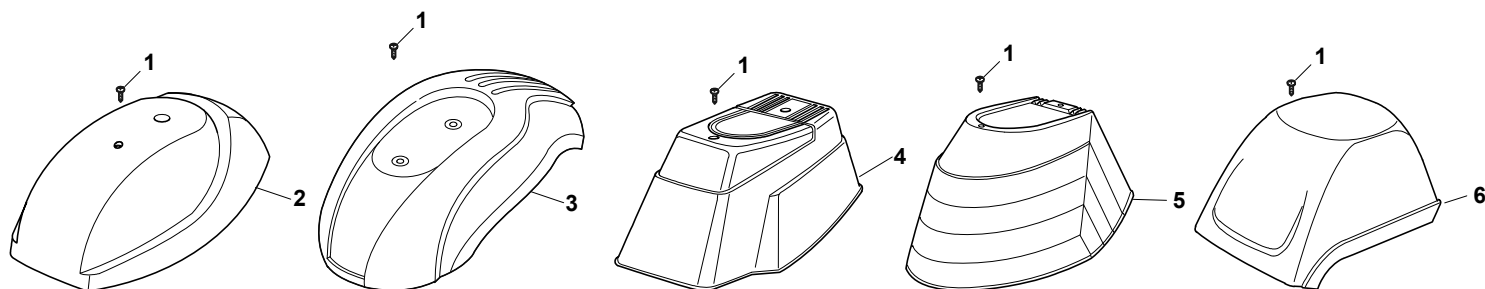
N.	CODE	Q.TY	DESCRIZIONE	DESCRIPTION	DESCRIPTION	BESCHREIBUNG	REMARK
1	381006735/0	1	Manico, Parte Inf	Handle, Lower Part	Mancheron, Partie Inferieure	Holm, Unterteil	
2	381005133/0	1	Staffa Dx	Bracket, R	Bride D	Pratze, Rechte	
3	381005135/0	1	Staffa Sx	Bracket, L	Bride G	Pratze, Linke	
4	12819120/0	4	Vite	Screw	Vis	Schraube	
5	22680006/1	4	Rosetta	Washer	Rondelle	Scheibe	
6	322399804/1	4	Manopolina	Knob	Poignée	Griff	
7	12293200/0	4	Dado	Nut	Ecrou	Mutter	
10	12760605/0	2	Vite	Screw	Vis	Schraube	
11	12521350/0	4	Rosetta	Washer	Rondelle	Scheibe	
12	12155000/0	6	Dado	Nut	Ecrou	Mutter	
13	112727803/0	6	Vite	Screw	Vis	Schraube	
14	12523040/0	6	Rosetta	Washer	Rondelle	Scheibe	
15	12154510/0	6	Dado	Nut	Ecrou	Mutter	
16	322551580/0	1	Piastrina Isolamento	Isolation Plate	Plaquette De Isolement	Absonderung Platte	



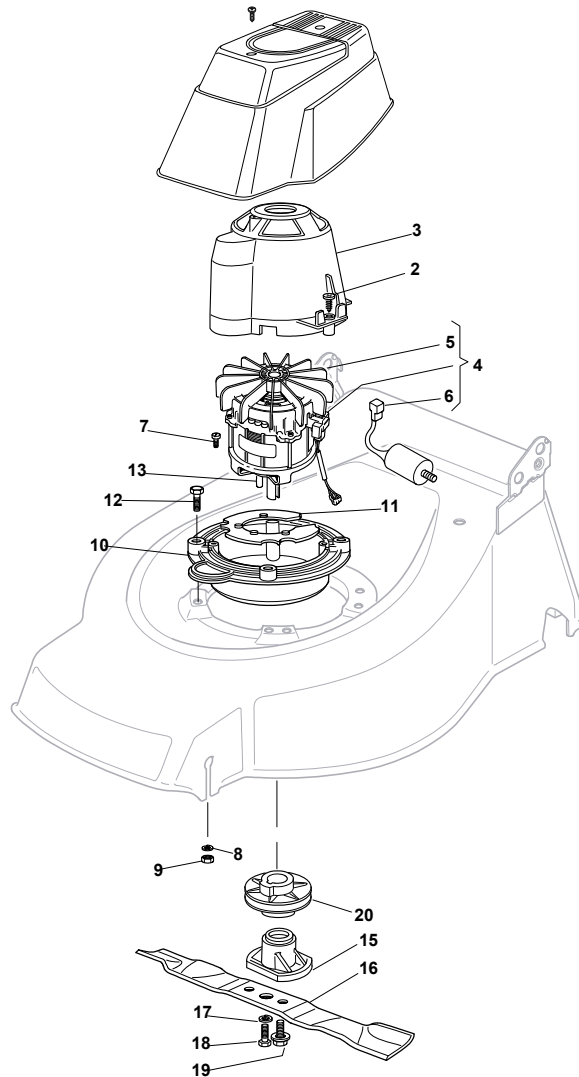
N.	CODE	Q.TY	DESCRIZIONE	DESCRIPTION	DESCRIPTION	BESCHREIBUNG	REMARK
1	81006603/0	1	Manico, Parte Sup	Handle, Upper Part	Mancheron, Partie Superieure	Holm, Oberteil	
2	22192000/1	2	Fascetta	Anchor Clamp	Collier Ancrage	Bowdenzughalter	
3	18710628/0	1	Salvatore	Dead Hand Switch	Int. Main Morte	Tot Manschalter	AUS/NZ
3	81600500/1	1	Salvatore	Dead Hand Switch	Int. Main Morte	Tot Manschalter	CE
3	81600501/1	1	Salvatore	Dead Hand Switch	Int. Main Morte	Tot Manschalter	CH
3	81600502/1	1	Salvatore	Dead Hand Switch	Int. Main Morte	Tot Manschalter	UK
4	12728701/0	2	Vite	Screw	Vis	Schraube	
5	22195101/4	1	Fermacavo	Fairlead	Fixation Cable	Kabelbefestigung	
11	12735103/0	3	Vite	Screw	Vis	Schraube	
12	12523040/0	3	Rosetta	Washer	Rondelle	Scheibe	
13	22680006/1	3	Rosetta	Washer	Rondelle	Scheibe	
14	322806518/2	1	Supporto Dx	Support, R	Support D	Halter, Rechter	
15	22020320/0	1	Aggancio	Fairlead Bearing	Support Serrecable	Kabelhalter	
16	322806519/2	1	Supporto Sx	Support, L	Support G	Halter, Linker	
17	81001245/1	1	Leva Trazione	Driving Lever	Levier Traction	Antriebshebel	
18	22806520/0	1	Supporto Registro	Support, Adjuster	Support Ecrou Reg.	Halter, Regler	
20	22246031/0	1	Giunzione Inf	Lower Joint	Connection Inf	Verbindung Oben	
21	22042040/0	1	Bussola Isolamento	Isolation Compass	Boussole De	Absonderung	
22	22246030/0	1	Giunzione Sup	Upper Joint	Connection Sup	Verbindung Unter	
23	81001150/0	1	Cavo Comando Trazione Sup	Cable, Rear Drive Upper	Càble, Commande Traction Superieu	Kabel, Antrieb Ober	
24	381000671/0	1	Cavo Comando Trazione Inf	Cable, Rear Drive Lower	Càble, Commande Traction Inf.	Kabel, Antrieb Unter	



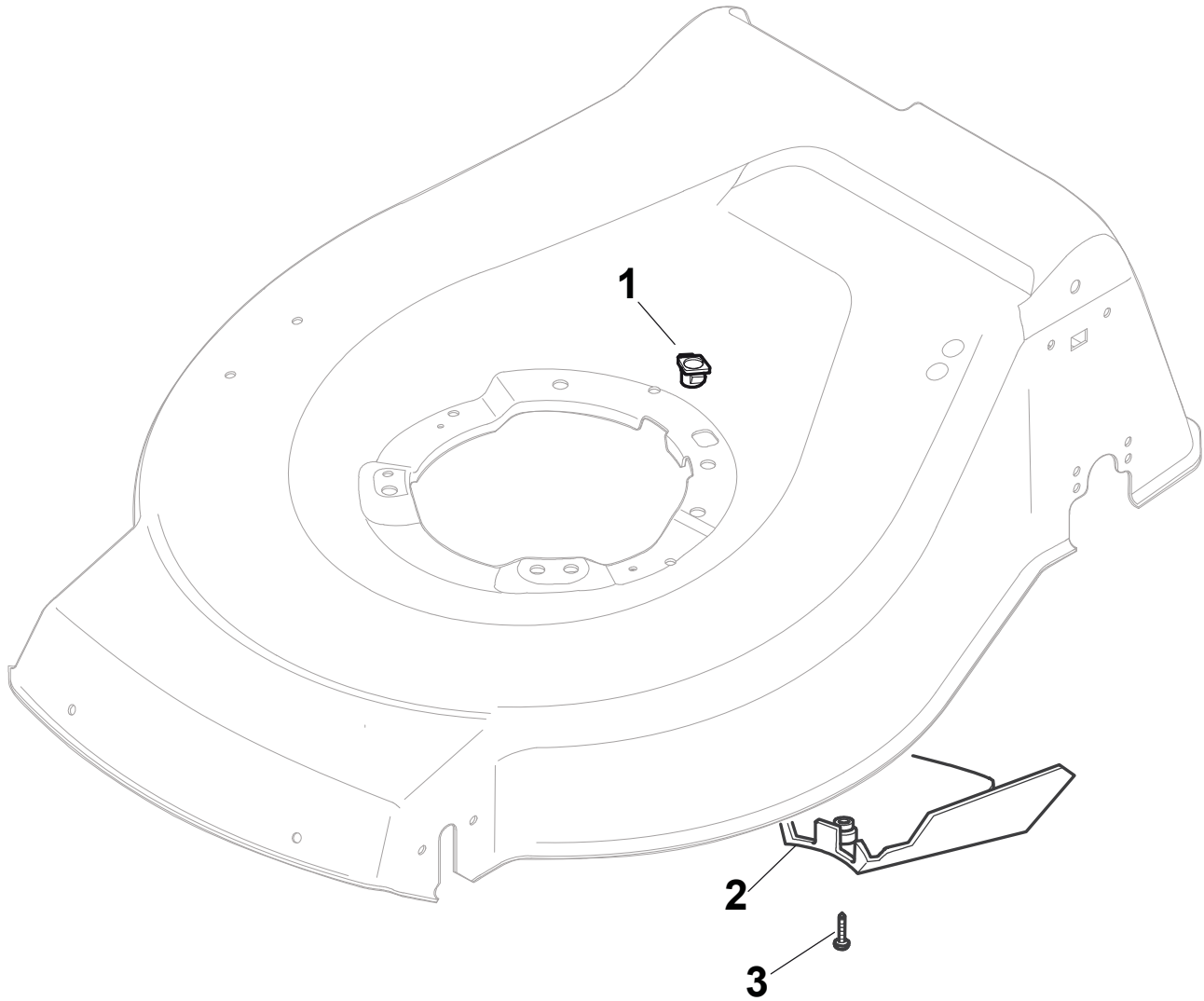
N.	CODE	Q.TY	DESCRIZIONE	DESCRIPTION	DESCRIPTION	BESCHREIBUNG	REMARK
1	81006603/0	1	Manico, Parte Sup	Handle, Upper Part	Mancheron, Partie Superieure	Holm, Oberteil	
2	22192000/1	2	Fascetta	Anchor Clamp	Collier Ancrage	Bowdenzughalter	
3	381600503/3	1	Salvamotore	Dead Hand Switch	Int. Main Morte	Tot Manschalter	CE
3	381600504/3	1	Salvamotore	Dead Hand Switch	Int. Main Morte	Tot Manschalter	CH
3	381600505/3	1	Salvamotore	Dead Hand Switch	Int. Main Morte	Tot Manschalter	UK
4	12728701/0	4	Vite	Screw	Vis	Schraube	
5	22195101/4	1	Fermacavo	Fairlead	Fixation Cable	Kabelbefestigung	
6	22010251/0	1	Asta Aggancio Fermacavo	Rod, Fairlead Bearing	Tige Support Serrecable	Stange, Kabelhalter	
7	322230350/1	1	Fulcro	Fulcrum Pin	Point D'Appui	Gelenkpunkt	
8	22450115/0	1	Molla	Spring	Ressort	Feder	
9	322785144/1	1	Supporto	Support	Support	Halter	
10	322322881/1	1	Leva Freno Motore, Nero	Lever, Engine Brake	Levier Frein Moteur	Hebel, Motorbremse	
10	322322884/1	1	Leva Freno Motore, Rosso	Lever, Engine Brake	Levier Frein Moteur	Hebel, Motorbremse	
10	322322885/1	1	Leva Freno Motore, Giallo	Lever, Engine Brake	Levier Frein Moteur	Hebel, Motorbremse	
11	12735103/0	3	Vite	Screw	Vis	Schraube	
12	12523040/0	3	Rosetta	Washer	Rondelle	Scheibe	
13	22680006/1	3	Rosetta	Washer	Rondelle	Scheibe	
14	322806518/2	1	Supporto Dx	Support, R	Support D	Halter, Rechter	
15	22020320/0	1	Aggancio	Fairlead Bearing	Support Serrecable	Kabelhalter	
16	322806519/2	1	Supporto Sx	Support, L	Support G	Halter, Linker	
17	81001245/1	1	Leva Trazione	Driving Lever	Levier Traction	Antriebhebel	
18	22806520/0	1	Supporto Registro	Support, Adjuster	Support Ecrou Reg.	Halter, Regler	
20	22246031/0	1	Giunzione Inf	Lower Joint	Connection Inf	Verbindung Oben	
21	22042040/0	1	Bussola Isolamento	Isolation Compass	Boussole De	Absonderung	
22	22246030/0	1	Giunzione Sup	Upper Joint	Connection Sup	Verbindung Unter	
23	81001150/0	1	Cavo Comando Trazione Sup	Cable, Rear Drive Upper	Câble, Commande Traction Superieure	Kabel, Antrieb Ober	



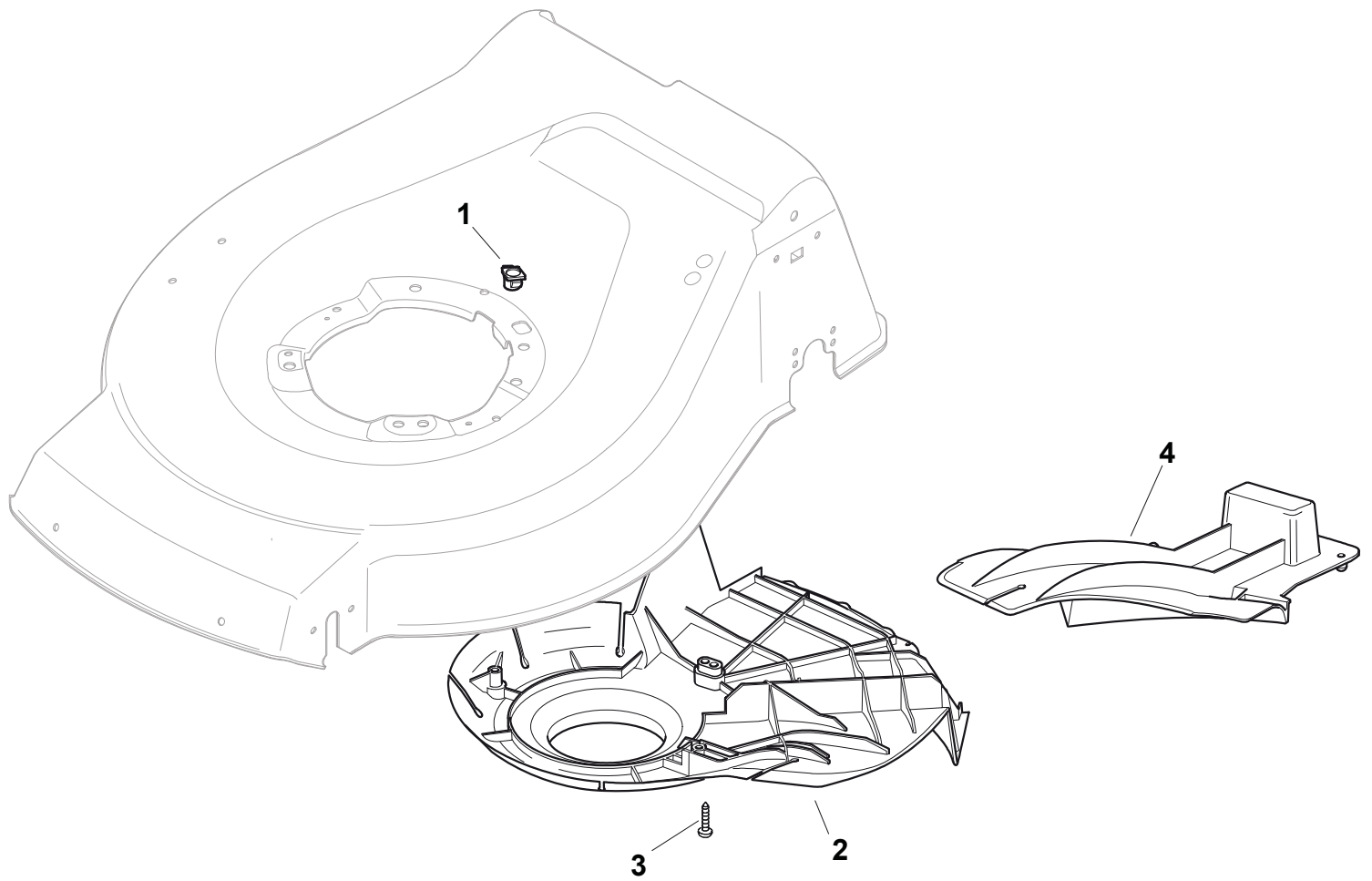
N.	CODE	Q.TY	DESCRIZIONE	DESCRIPTION	DESCRIPTION	BESCHREIBUNG	REMARK
1	12728680/0	2	Vite	Screw	Vis	Schraube	
2	22055058/0	1	Capottina	Cover	Capot	Haube	
3	22055065/0	1	Capottina	Cover	Capot	Haube	
4	22055045/1	1	Capottina	Cover	Capot	Haube	
5	22055033/1	1	Capottina	Cover	Capot	Haube	
6	22055053/1	1	Capottina	Cover	Capot	Haube	



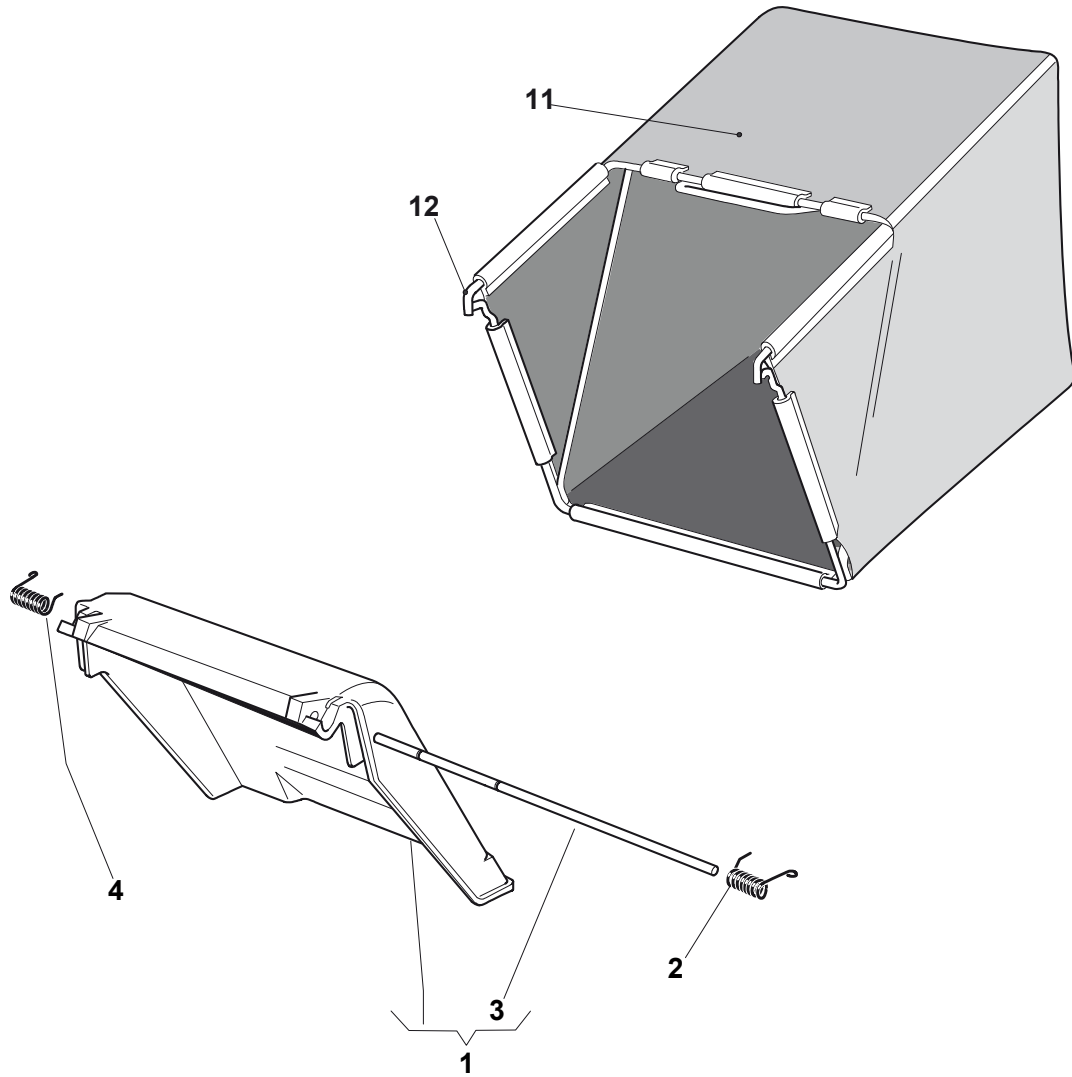
N.	CODE	Q.TY	DESCRIZIONE	DESCRIPTION	DESCRIPTION	BESCHREIBUNG	REMARK
2	22785210/0	1	Supporto Capottina	Support, Cover	Support Capot	Halter, Haube	
3	12728710/0	4	Vite	Screw	Vis	Schraube	
4	118563641/1	1	Motore Atb	Motor Atb	Moteur Atb	Motor Atb	230V (1800W)
5	18740054/0	1	Ventola Per Motore Atb	Fan Motor Atb	Ventilateur Moteur Atb	Lüfter Motor Atb	
6	18222039/0	1	Condensatore 25 µf	Condenser 25 µf	Condenseur 25 µf	Kondensator 25 µf	(Atb)
7	12735410/0	4	Vite	Screw	Vis	Schraube	
8	12583500/0	4	Grower	Grower	Grower	Federring	
9	12293200/0	4	Dado	Nut	Ecrou	Mutter	
10	322207211/4	1	Flangia	Flange	Bride	Flansch	
11	322720360/2	1	Schermo	Ventilation Screen	Ecran Ventilation	Lüftungschirm	
12	12793700/0	4	Vite	Screw	Vis	Schraube	
13	12139440/0	1	Linguetta	Feather	Clavette	Keil	
15	322463186/3	1	Mozzo	Hub	Moyeu	Halter	
16	81004346/3	1	Coltello Standard	Blade Standard	Lame Standard	Messer Standard	
16	81004397/0	1	Coltello Alettato	Blade Winged	Lame Ailettée	Messer Flügel	
17	12583500/0	2	Grower	Grower	Grower	Federring	
18	12793101/0	2	Vite	Screw	Vis	Schraube	
19	381004352/1	1	Vite	Screw	Vis	Schraube	
20	22601911/1	1	Puleggia	Pulley	Pouile	Riemenscheibe	



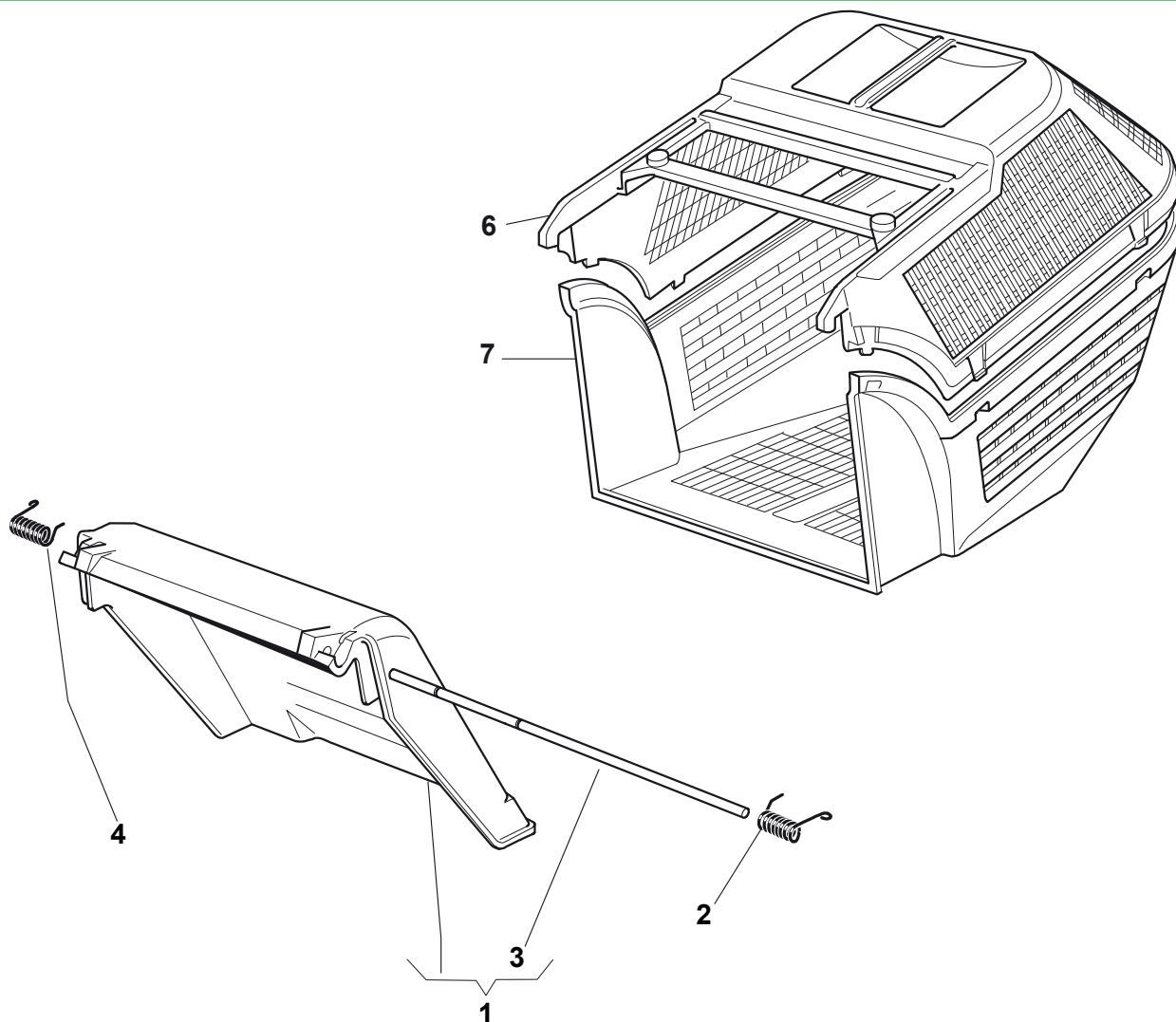
N.	CODE	Q.TY	DESCRIZIONE	DESCRIPTION	DESCRIPTION	BESCHREIBUNG	REMARK
1	22291150/0	1	Inserto In Gomma	Rubber Insert	Insert De	Gummi Einsatz	
2	22060192/0	1	Carter Cinghia	Protection, Belt	Protection	Schutz, Riemen	
3	12728530/0	1	Vite	Screw	Vis	Schraube	



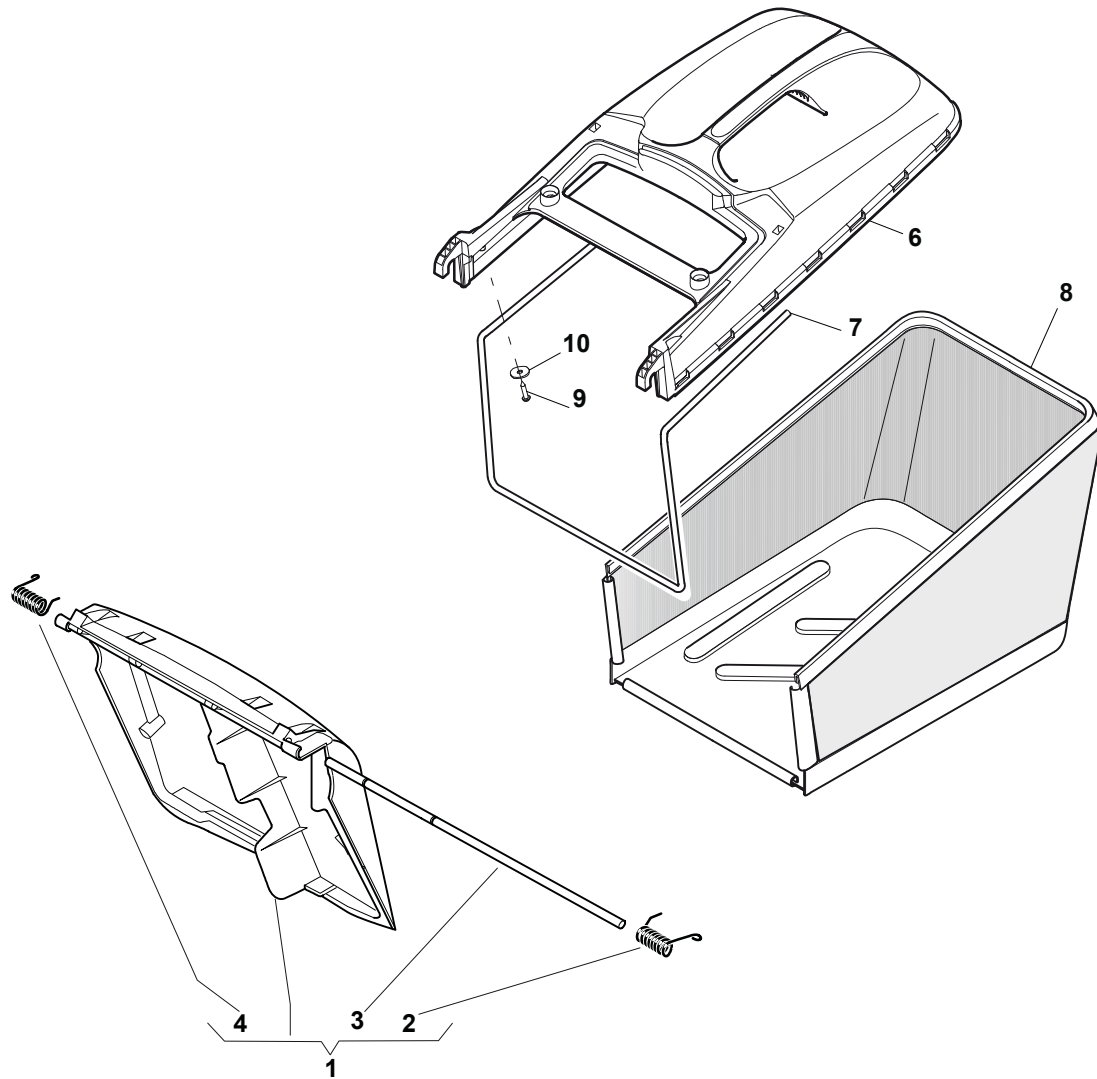
N.	CODE	Q.TY	DESCRIZIONE	DESCRIPTION	DESCRIPTION	BESCHREIBUNG	REMARK
1	22291150/0	1	Inserto In Gomma	Rubber Insert	Insert De	Gummi Einsatz	
2	22060198/0	1	Carter	Protection	Protection	Schutz	
3	12728530/0	3	Vite	Screw	Vis	Schraube	
4	22140223/0	1	Deflettore	Deflector	Deflecteur	Deflektor	



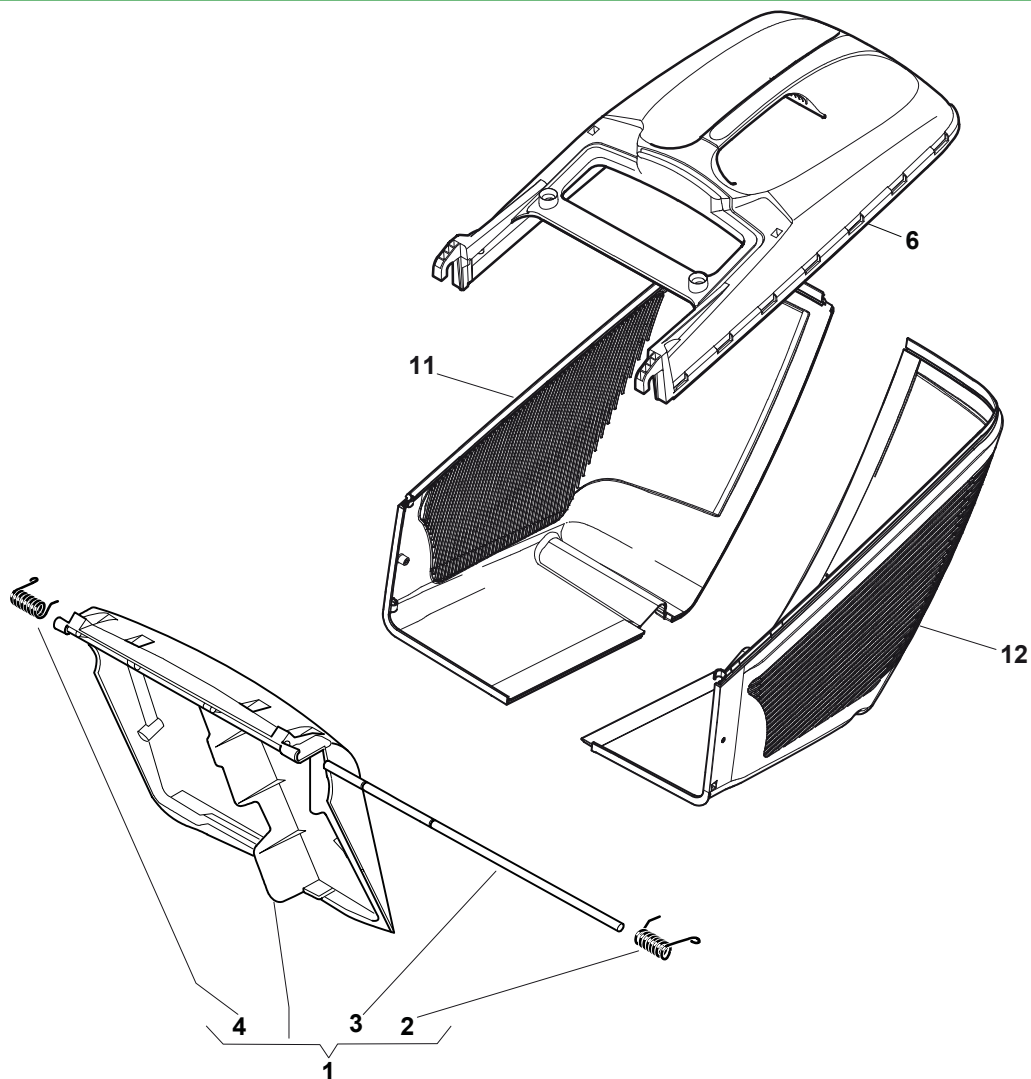
N.	CODE	Q.TY	DESCRIZIONE	DESCRIPTION	DESCRIPTION	BESCHREIBUNG	REMARK
1	381007308/2	1	Parasassi	Stone-Guard	Pare-Pierres	Prallblech	
2	122450466/0	1	Molla Sx	L Spring	Ressort G	Linke Feder	
3	122517882/0	1	Perno	Pin	Pivot	Bolzen	
4	122450465/0	1	Molla Dx	R Spring	Ressort D	Rechte Feder	
6	322486073/1	1	Sacco, Parte Sup	Grass-Box, Upper	Sac, Partie Superieure	Korb, Oberteil	
11	81002105/2	1	Sacco, Tela	Box, Fabric	Sac, Toile	Sack, Tuck	
12	81006418/0	1	Telaio Sacco	Chassis Box	Châssis Bac	Rahmen Sack	



N.	CODE	Q.TY	DESCRIZIONE	DESCRIPTION	DESCRIPTION	BESCHREIBUNG	REMARK
1	381007308/2	1	Parasassi	Stone-Guard	Pare-Pierres	Prallblech	
2	122450466/0	1	Molla Sx	L Spring	Ressort G	Linke Feder	
3	122517882/0	1	Perno	Pin	Pivot	Bolzen	
4	122450465/0	1	Molla Dx	R Spring	Ressort D	Rechte Feder	
6	322486073/1	1	Sacco, Parte Sup	Grass-Box, Upper	Sac, Partie Superieure	Korb, Oberteil	
7	22486074/0	1	Sacco, Parte Inf	Grass-Box, Lower	Sac, Partie Inferieure	Korb, Unterteil	



N.	CODE	Q.TY	DESCRIZIONE	DESCRIPTION	DESCRIPTION	BESCHREIBUNG	REMARK
1	381008081/0	1	Parasassi	Stone-Guard	Pare-Pierres	Prallblech	
2	122450466/0	1	Molla Sx	L Spring	Ressort G	Linke Feder	
3	122517882/0	1	Perno	Pin	Pivot	Bolzen	
4	122450465/0	1	Molla Dx	R Spring	Ressort D	Rechte Feder	
6	22486101/0	1	Sacchetto, Parte Sup	Grass-Box, Upper	Sac, Partie	Korb, Oberteil	
7	22608525/0	1	Rinforzo Inf	Stiffening Lower	Réinforcement Inf	Verstärkung	
8	81002211/0	1	Sacchetto, Tela	Box, Fabric	Sac, Toile	Sack, Tuck	
9	12728680/0	2	Vite	Screw	Vis	Schraube	
10	12523050/0	2	Rosetta	Washer	Rondelle	Scheibe	



N.	CODE	Q.TY	DESCRIZIONE	DESCRIPTION	DESCRIPTION	BESCHREIBUNG	REMARK
1	381008081/1	1	Parasassi	Stone-Guard	Pare-Pierres	Prallblech	
2	122450466/0	1	Molla Sx	L Spring	Ressort G	Linke Feder	
3	122517882/0	1	Perno	Pin	Pivot	Bolzen	
4	122450465/0	1	Molla Dx	R Spring	Ressort D	Rechte Feder	
6	22486101/0	1	Sacco, Parte Sup	Grass-Box, Upper	Sac, Partie	Korb, Oberteil	
11	322486150/1	1	Sacco, Parte Inf Dx	Grass-Box, R Lower	Sac, Partie Inferieure D	Korb, R Unterteil	
12	322486151/1	1	Sacco, Parte Inf Sx	Grass-Box, L Lower	Sac, Partie Inferieure G	Korb, L Unterteil	