

# Genuine Spare Parts

## NP 534 TR 3S - NP 534 TR/E 3S

Catalogo delle parti di ricambio  
Spare parts catalogue  
Catalogue des pieces de rechange  
Ersatzteilkatalog

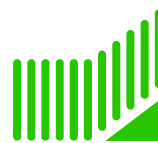
# 2011

- Use GLOBAL GARDEN PRODUCT Genuine Spare Parts specified in the parts list for repair and/or replacement.
- The contents described in the parts list may change due to improvement.
- The drawings of the spare parts are only indicative and might not represent the part in question exactly.
- The indications "right" - "left" - "front" - "rear" refer to the position of the operator when using the machine.
- When placing orders of parts for repair and/or replacement, make sure that the illustrated parts list is the one applying to the machine's year of manufacture, as shown on the identification plate attached to the machine.

© Copyright 2011 Global Garden Products

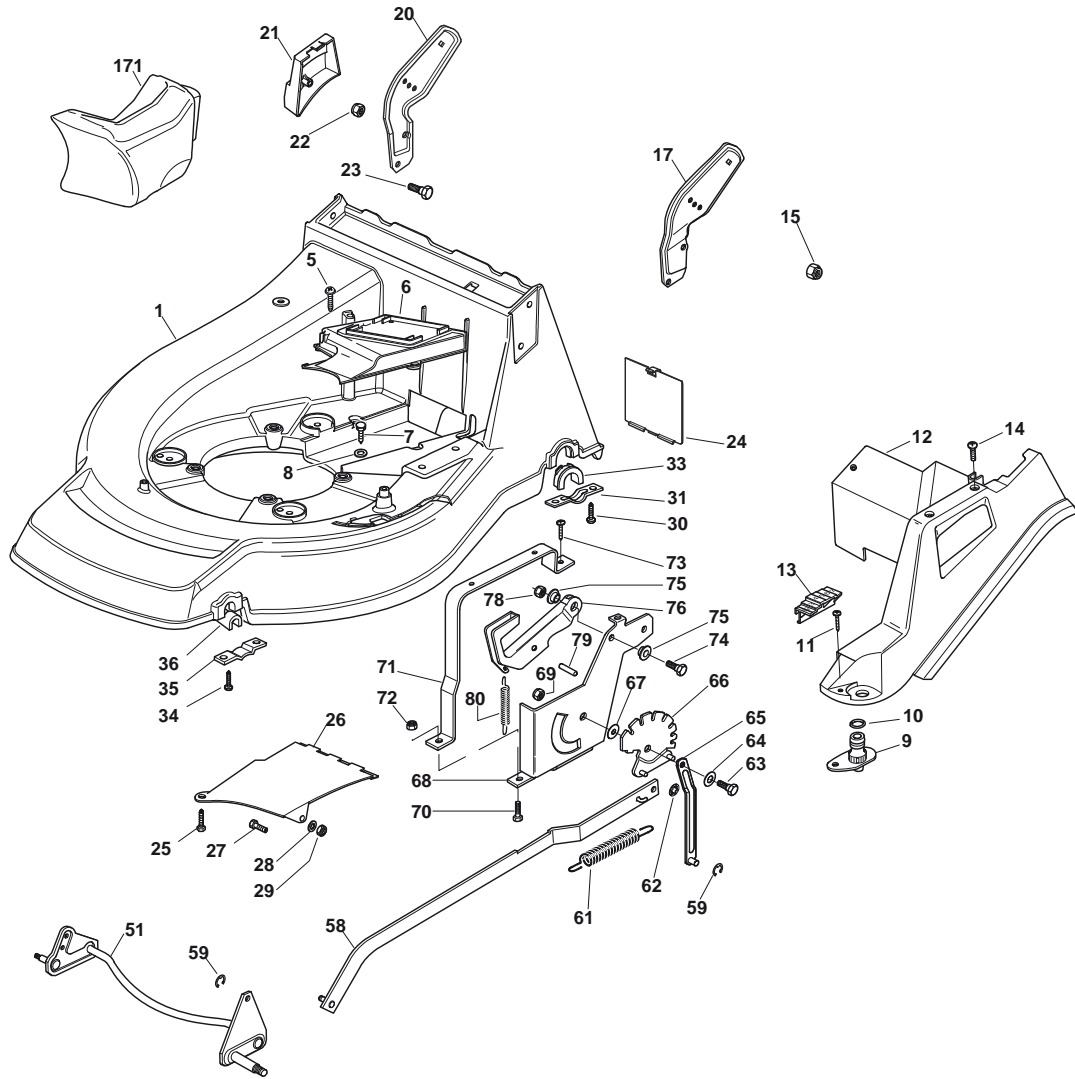
All content is subject to copyright by Global Garden Products and may not be reproduced in whole or in part by any means, electronic or otherwise, without prior written approval.

THIS INFORMATION IS NOT INTENDED FOR SALE OR RESALE, AND THIS NOTICE MUST REMAIN ON ALL COPIES.



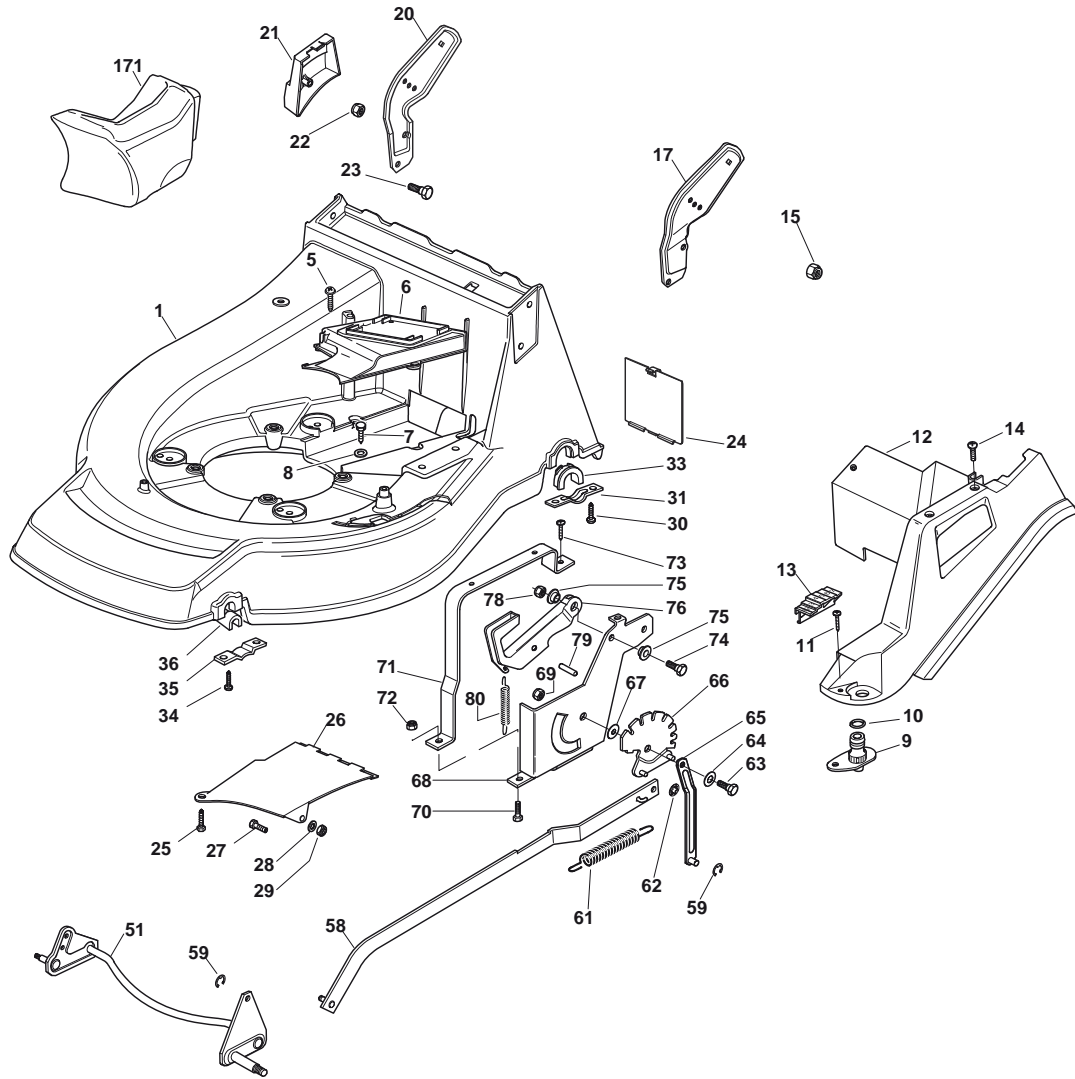
GLOBAL GARDEN PRODUCTS

NP 534 TR 3S - NP 534 TR/E 3S

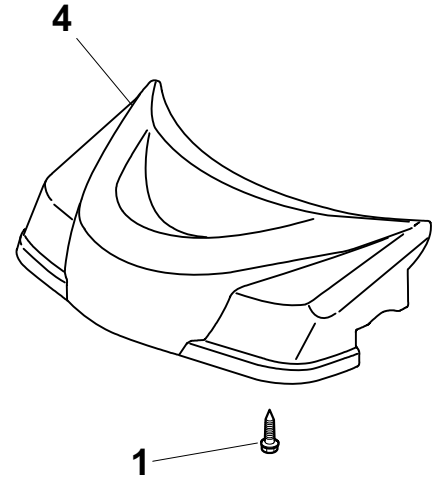
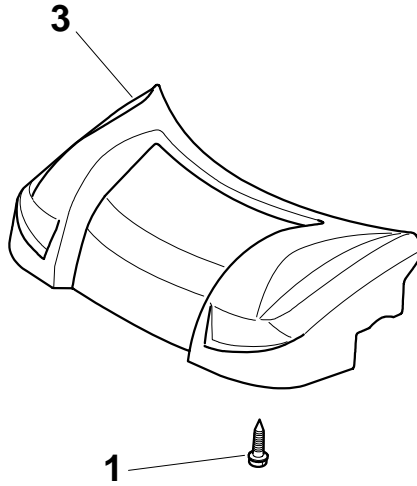
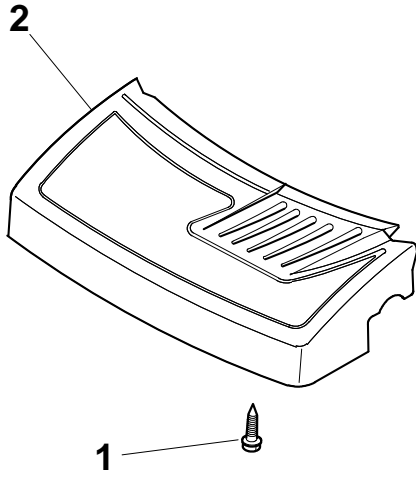


| N. | CODE        | Q.TY | DESCRIZIONE            | DESCRIPTION              | DESCRIPTION       | BESCHREIBUNG            | REMARK |
|----|-------------|------|------------------------|--------------------------|-------------------|-------------------------|--------|
| 1  | 381003543/1 | 1    | Chassis Rosso          | Deck Red                 | Châssis Rouge     | Gehäuse Rot             |        |
| 5  | 12728522/0  | 2    | Vite                   | Screw                    | Vis               | Schraube                |        |
| 6  | 22060200/1  | 1    | Carter Cinghia         | Protection, Belt         | Protection        | Schutz, Riemen          |        |
| 7  | 12729600/0  | 1    | Vite                   | Screw                    | Vis               | Schraube                |        |
| 8  | 12523040/0  | 2    | Rosetta                | Washer                   | Rondelle          | Scheibe                 |        |
| 9  | 22034000/0  | 1    | Attacco Acqua Lavaggio | Washing Connection       | Attaque Lavage    | Waschenverbindung       |        |
| 10 | 19035000/0  | 1    | Anello Or              | Or Ring                  | Bague Or          | Ring Or                 |        |
| 11 | 12728519/0  | 3    | Vite                   | Screw                    | Vis               | Schraube                |        |
| 12 | 322060144/3 | 1    | Carter Regolazione     | Deck, Adjustment         | Châssis Reglage   | Gehäuse                 |        |
| 13 | 22570200/0  | 1    | Placchetta Posizioni   | Plate, Cutting Positions | Plaquette Reglage | Platte, Höheverstellung |        |
| 14 | 12728520/0  | 1    | Vite                   | Screw                    | Vis               | Schraube                |        |
| 15 | 12155000/0  | 2    | Dado                   | Nut                      | Ecrou             | Mutter                  |        |
| 17 | 22778397/1  | 1    | Staffa Sx              | Bracket, L               | Bride G           | Pratze, Linke           |        |
| 20 | 22778396/1  | 1    | Staffa Dx              | Bracket, R               | Bride D           | Pratze, Rechte          |        |
| 21 | 22601001/0  | 1    | Protezione             | Protection               | Protection        | Schutz                  |        |
| 22 | 12155000/0  | 2    | Dado                   | Nut                      | Ecrou             | Mutter                  |        |
| 23 | 12793301/0  | 2    | Vite                   | Screw                    | Vis               | Schraube                |        |
| 24 | 22595352/0  | 1    | Portina Chiusura       | Inspection Door          | Voyant De Visite  | Abdeckplatte            |        |
| 25 | 12729600/0  | 1    | Vite                   | Screw                    | Vis               | Schraube                |        |
| 26 | 22108205/0  | 1    | Convogliatore          | Conveyor                 | Convoyeur         | Konveyor                |        |
| 27 | 12789000/0  | 1    | Vite                   | Screw                    | Vis               | Schraube                |        |
| 28 | 12523020/0  | 1    | Rosetta                | Washer                   | Rondelle          | Scheibe                 |        |
| 29 | 12154330/0  | 1    | Dado                   | Nut                      | Ecrou             | Mutter                  |        |
| 30 | 12731350/0  | 4    | Vite                   | Screw                    | Vis               | Schraube                |        |
| 31 | 22545147/0  | 2    | Piastrina              | Plate                    | Plaquette         | Platte                  |        |
| 33 | 22038407/0  | 2    | Bronzina               | Brass                    | Douille           | Buchse                  |        |
| 34 | 12731350/0  | 4    | Vite                   | Screw                    | Vis               | Schraube                |        |

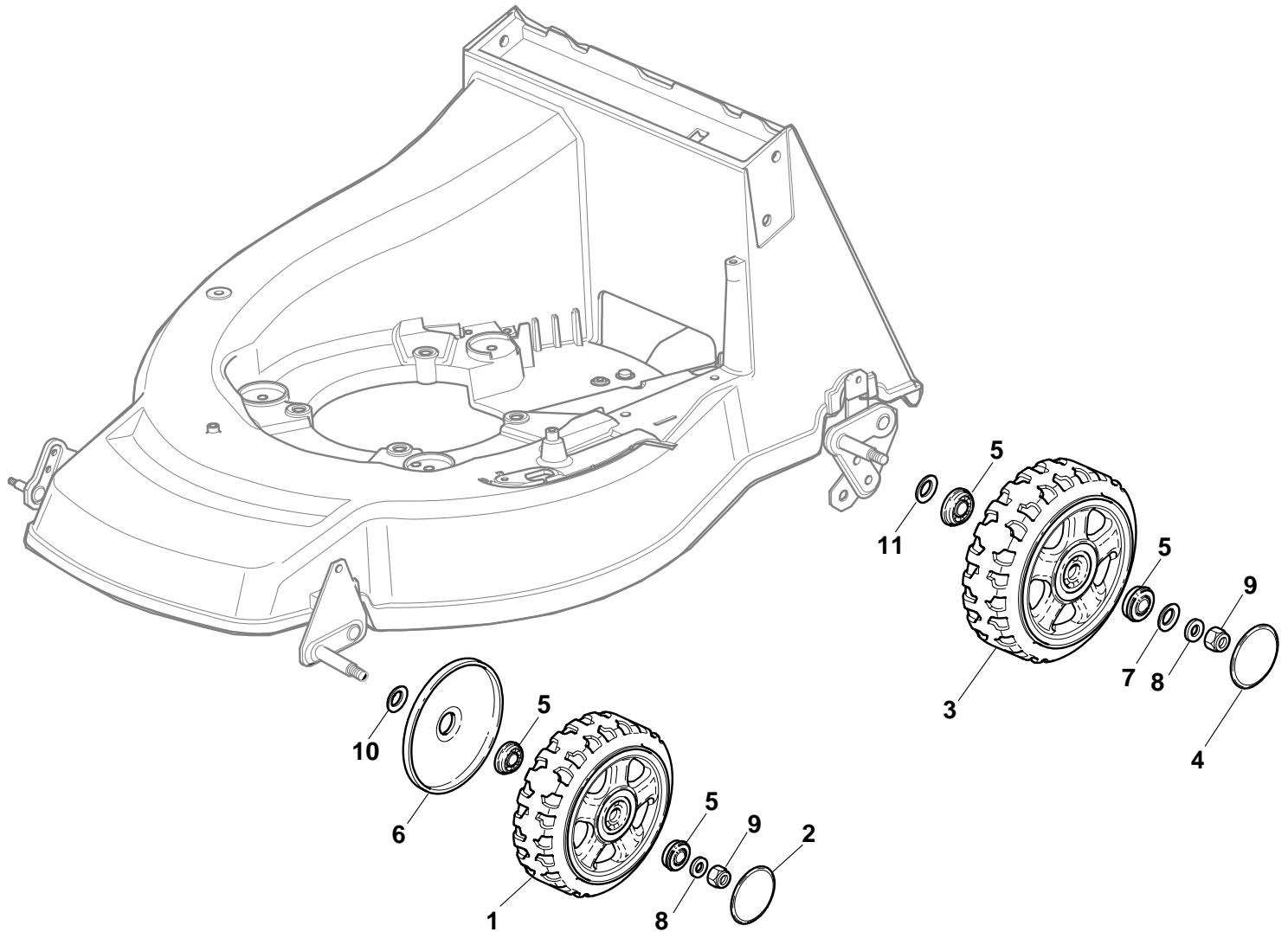
NP 534 TR 3S - NP 534 TR/E 3S



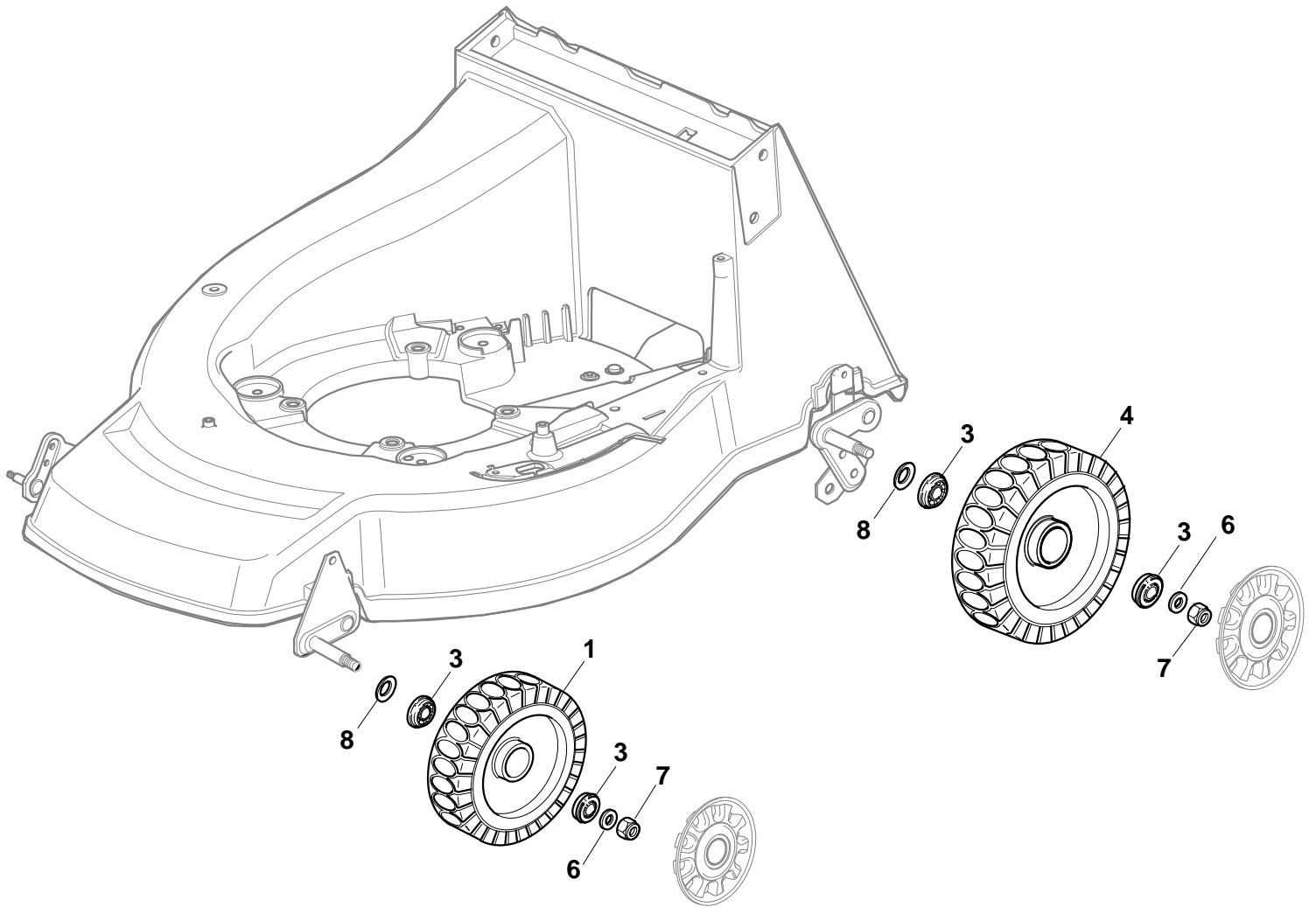
| N. CODE | Q.TY        | DESCRIZIONE | DESCRIPTION                  | DESCRIPTION                | BESCHREIBUNG                  | REMARK                  |             |
|---------|-------------|-------------|------------------------------|----------------------------|-------------------------------|-------------------------|-------------|
| 35      | 22545156/0  | 2           | Piastrina                    | Plate                      | Plaquette                     | Platte                  |             |
| 36      | 22038400/1  | 2           | Bronzina                     | Brass                      | Douille                       | Buchse                  |             |
| 51      | 81002801/1  | 1           | Asse Ruote Anteriori         | Axle, Front Wheels         | Axe Roues Avant               | Achse, Vorderrad        |             |
| 58      | 81001136/0  | 1           | Asta Comando Regol. Altezza  | Rod, Height Adjustment     | Tige Commande Reglage Hauteur | Stange, Höheverstellung | (Honda)     |
| 58      | 81001136/0  | 1           | Asta Comando Regol. Altezza  | Rod, Height Adjustment     | Tige Commande Reglage Hauteur | Stange, Höheverstellung | (B&S - Ggp) |
| 59      | 12000930/0  | 2           | Anello Elastico              | Snap Ring                  | Anneau Ressort                | Sprengring              |             |
| 61      | 122446187/0 | 1           | Molla                        | Spring                     | Ressort                       | Feder                   |             |
| 62      | 12604899/0  | 2           | Fissatore A Corona           | Crown Fastener             | Fixateur A Couronne           | Kronescheibe            |             |
| 63      | 22529662/0  | 1           | Perno Fulcro                 | Fulcrum Pin                | Pivot                         | Bolzen                  |             |
| 64      | 22672151/0  | 1           | Rosetta                      | Washer                     | Rondelle                      | Scheibe                 |             |
| 65      | 81001269/0  | 1           | Asta Asse Posteriore         | Rod, Rear Wheels Axle      | Tige, Axe Roue Arrieres       | Stange, Hinterradachse  |             |
| 66      | 381000479/2 | 1           | Settore Regolazione Altezza  | Sector, Height Adjustment  | Secteur Reglage Hauteur       | Sektor, Höheverstellung |             |
| 67      | 22672152/0  | 1           | Rosetta                      | Washer                     | Rondelle                      | Scheibe                 |             |
| 68      | 22785109/0  | 1           | Supporto Regolazione Altezza | Support, Height Adjustment | Support Reglage               | Halter, Höheverstellung |             |
| 69      | 12293201/0  | 1           | Dado                         | Nut                        | Ecrou                         | Mutter                  |             |
| 70      | 12793301/0  | 2           | Vite                         | Screw                      | Vis                           | Schraube                |             |
| 71      | 22785113/0  | 1           | Supporto Maniglia            | Support, Handle            | Support Poignée               | Halter, Griff           |             |
| 72      | 12293201/0  | 2           | Dado                         | Nut                        | Ecrou                         | Mutter                  |             |
| 73      | 12729600/0  | 1           | Vite                         | Screw                      | Vis                           | Schraube                |             |
| 74      | 12793301/0  | 1           | Vite                         | Screw                      | Vis                           | Schraube                |             |
| 75      | 25038002/1  | 2           | Bussola                      | Bush                       | Douille                       | Buchse                  |             |
| 76      | 322393611/2 | 1           | Maniglia                     | Handle                     | Poignée                       | Griff                   |             |
| 78      | 12293201/0  | 1           | Dado                         | Nut                        | Ecrou                         | Mutter                  |             |
| 79      | 12622640/0  | 1           | Spina                        | Pin                        | Goupille                      | Stift                   |             |
| 80      | 22446175/0  | 1           | Molla                        | Spring                     | Ressort                       | Feder                   |             |
| 81      | 12530150/0  | 2           | Rosetta Elastica             | Elastic Washer             | Rondelle Elastique            | Elastische Scheibe      |             |
| 171     | 22140224/0  | 1           | Tappo                        | Cap                        | Bouchon                       | Gummistopfen            |             |



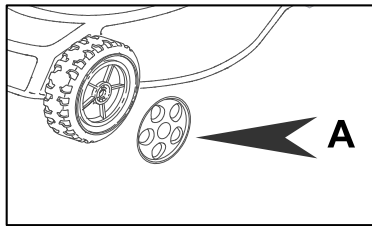
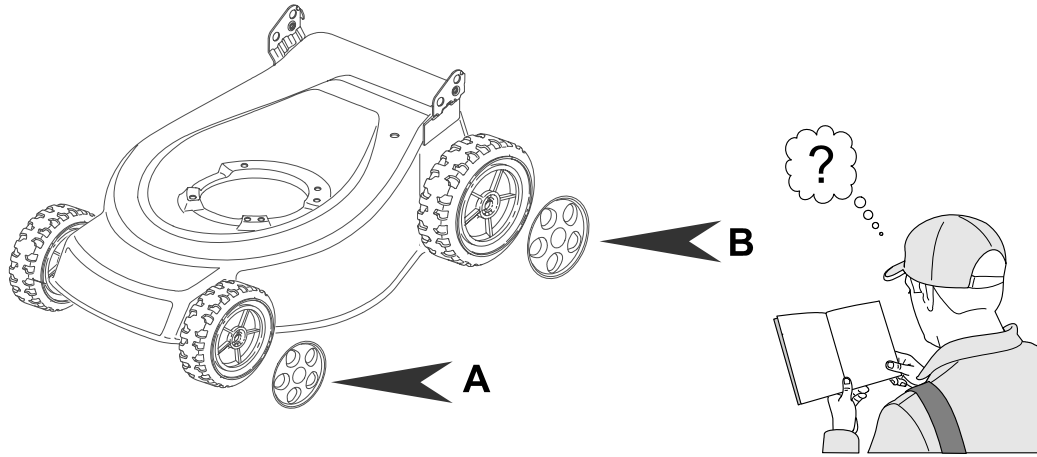
| N. | CODE        | Q.TY | DESCRIZIONE        | DESCRIPTION | DESCRIPTION  | BESCHREIBUNG   | REMARK |
|----|-------------|------|--------------------|-------------|--------------|----------------|--------|
| 1  | 112735420/0 | 4    | Vite               | Screw       | Vis          | Schraube       |        |
| 2  | 22226050/0  | 1    | Mascherina, Nero   | Mask, Black | Mesque, Noir | Maske, Schwarz |        |
| 3  | 322226112/1 | 1    | Mascherina, Grigio | Mask, Grey  | Mesque, Gris | Maske, Grau    |        |
| 4  | 322226124/0 | 1    | Mascherina, Nero   | Mask, Black | Mesque, Noir | Maske, Schwarz |        |



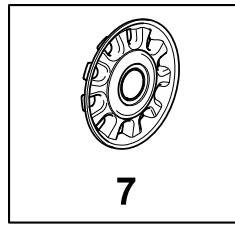
| N. | CODE        | Q.TY | DESCRIZIONE      | DESCRIPTION    | DESCRIPTION        | BESCHREIBUNG       | REMARK |
|----|-------------|------|------------------|----------------|--------------------|--------------------|--------|
| 1  | 381007378/0 | 2    | Ruota Ø 170      | Wheel Ø 170    | Roue Ø 170         | Rad. Ø 170         |        |
| 2  | 22110418/0  | 2    | Coprimozzo       | Hub Cap        | Couvre-Moyeu       | Radkappe           |        |
| 3  | 81007382/0  | 2    | Ruota Ø 210      | Wheel Ø 210    | Roue Ø 210         | Rad. Ø 210         |        |
| 4  | 22110419/0  | 2    | Coprimozzo       | Hub Cap        | Couvre-Moyeu       | Radkappe           |        |
| 5  | 22122200/0  | 8    | Cuscinetto       | Bearing        | Coussinet          | Lager              |        |
| 6  | 22600144/0  | 2    | Protezione       | Protection     | Protection         | Schutz             |        |
| 7  | 22675100/0  | 2    | Rosetta          | Washer         | Rondelle           | Scheibe            |        |
| 8  | 12521350/0  | 4    | Rosetta          | Washer         | Rondelle           | Scheibe            |        |
| 9  | 12155000/0  | 4    | Dado             | Nut            | Ecrou              | Mutter             |        |
| 10 | 12530150/0  | 2    | Rosetta Elastica | Elastic Washer | Rondelle Elastique | Elastische Scheibe |        |
| 11 | 12530151/0  | 2    | Rosetta          | Washer         | Rondelle           | Scheibe            |        |



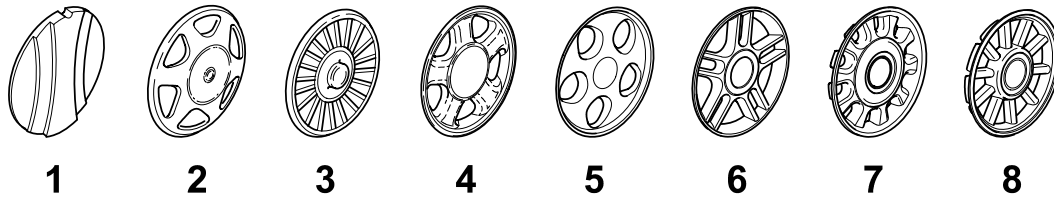
| N. | CODE       | Q.TY | DESCRIZIONE      | DESCRIPTION    | DESCRIPTION        | BESCHREIBUNG       | REMARK |
|----|------------|------|------------------|----------------|--------------------|--------------------|--------|
| 1  | 81007317/0 | 2    | Ruota Ø 170      | Wheel Ø 170    | Roue Ø 170         | Rad. Ø 170         |        |
| 3  | 22122200/0 | 8    | Cuscinetto       | Bearing        | Coussinet          | Lager              |        |
| 4  | 81007318/1 | 2    | Ruota Ø 210      | Wheel Ø 210    | Roue Ø 210         | Rad. Ø 210         |        |
| 6  | 12521350/0 | 4    | Rosetta          | Washer         | Rondelle           | Scheibe            |        |
| 7  | 12155000/0 | 4    | Dado             | Nut            | Ecrou              | Mutter             |        |
| 8  | 12530150/0 | 4    | Rosetta Elastica | Elastic Washer | Rondelle Elastique | Elastische Scheibe |        |



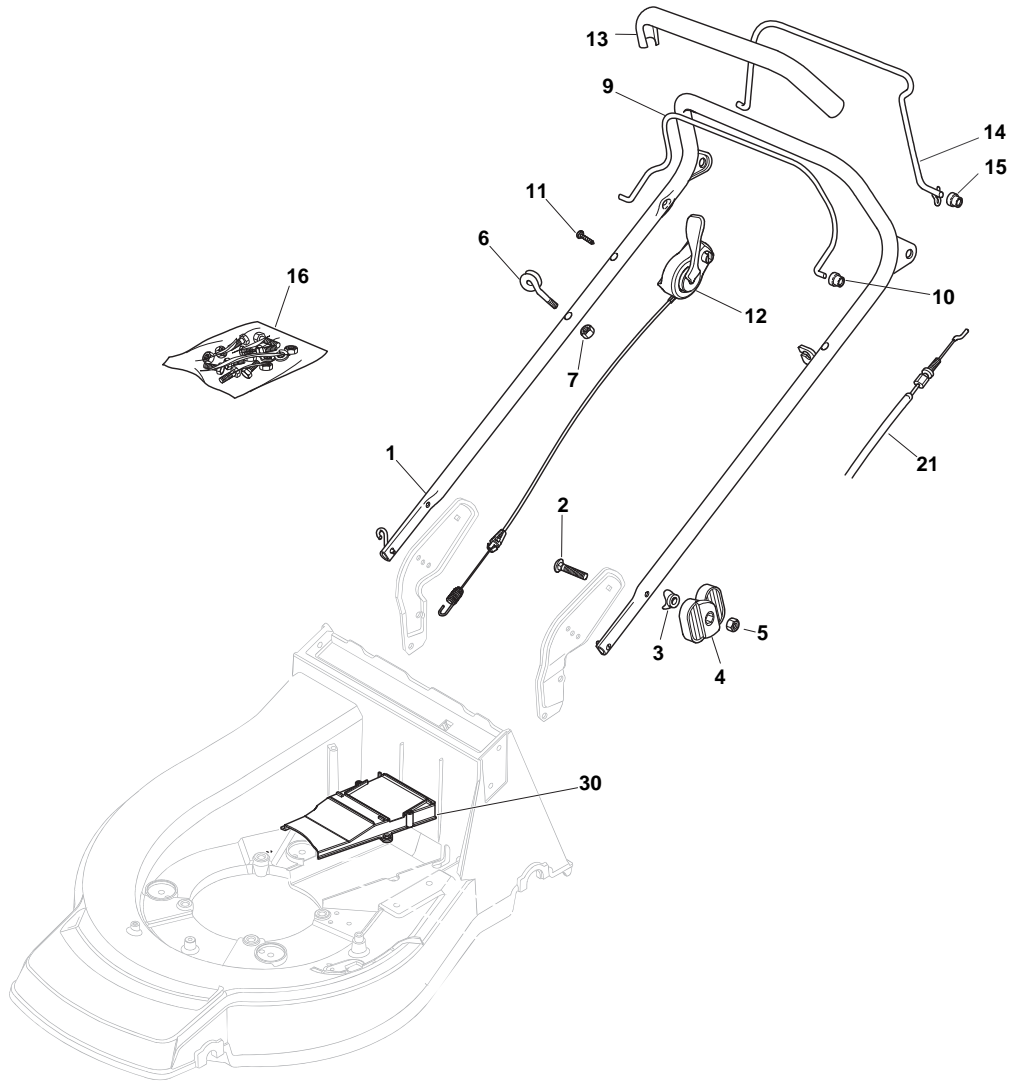
+



= A7

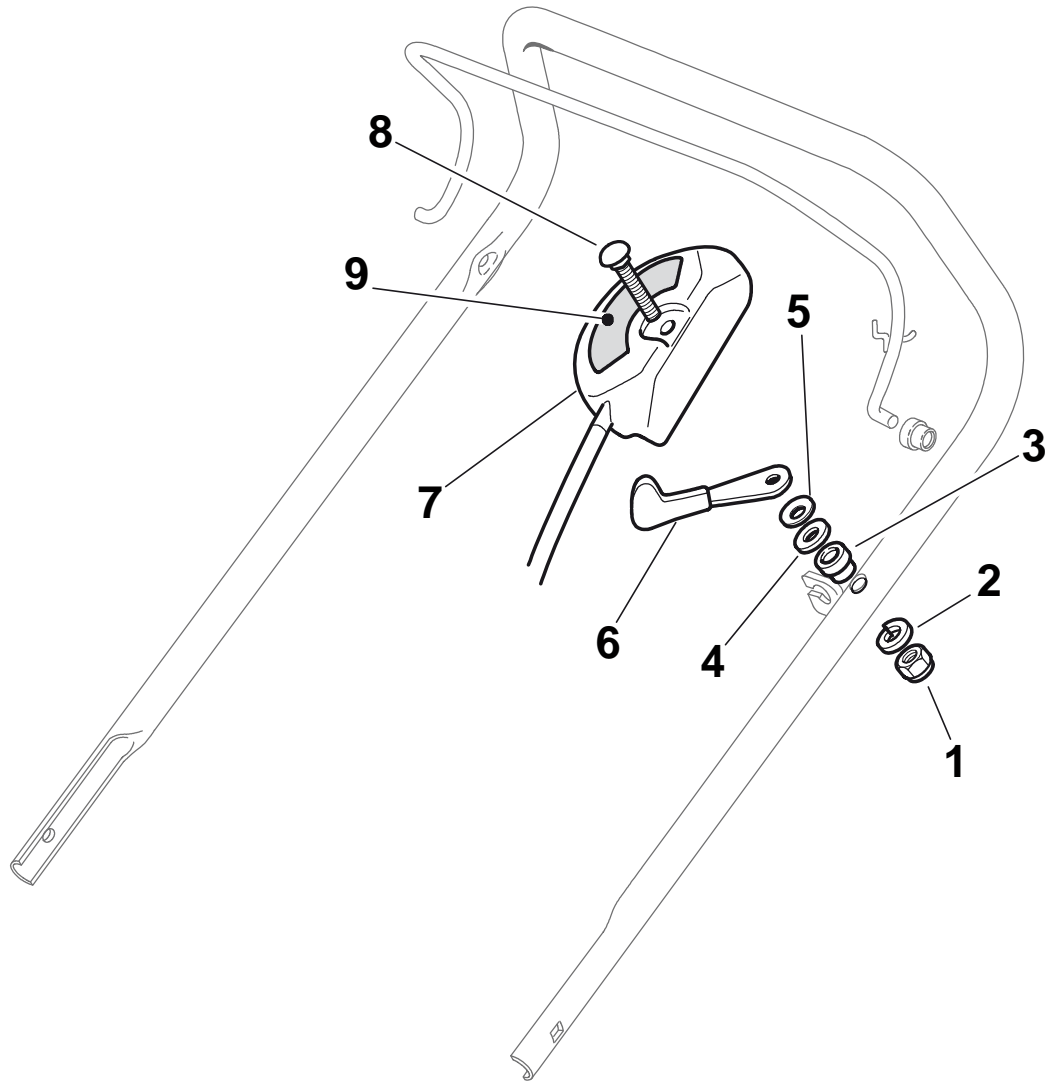


| N. CODE       | Q.TY | DESCRIZIONE     | DESCRIPTION    | DESCRIPTION       | BESCHREIBUNG   | REMARK |
|---------------|------|-----------------|----------------|-------------------|----------------|--------|
| B1 22110251/0 | 2    | Coprizzo Bianco | Hub Cap White  | Couvre-Moyeu      | Radkappe Weiße |        |
| A1 22110252/1 | 2    | Coprizzo Bianco | Hub Cap White  | Couvre-Moyeu      | Radkappe Weiße |        |
| B1 22110253/0 | 2    | Coprizzo Giallo | Hub Cap Yellow | Couvre-Moyeu      | Radkappe Gelbe |        |
| A1 22110254/1 | 2    | Coprizzo Giallo | Hub Cap Yellow | Couvre-Moyeu      | Radkappe Gelbe |        |
| A1 22110255/1 | 2    | Coprizzo Rosso  | Hub Cap Red    | Couvre-Moyeu      | Radkappe Rote  |        |
| B1 22110256/0 | 2    | Coprizzo Rosso  | Hub Cap Red    | Couvre-Moyeu      | Radkappe Rote  |        |
| A1 22110381/0 | 2    | Coprizzo Grigio | Hub Cap Grey   | Couvre-Moyeu Gris | Radkappe Grau  |        |
| B1 22110382/0 | 2    | Coprizzo Grigio | Hub Cap Grey   | Couvre-Moyeu Gris | Radkappe Grau  |        |
| B2 22110313/0 | 2    | Coprizzo Bianco | Hub Cap White  | Couvre-Moyeu      | Radkappe Weiße |        |
| B2 22110314/0 | 2    | Coprizzo Grigio | Hub Cap Grey   | Couvre-Moyeu Gris | Radkappe Grau  |        |
| A2 22110344/0 | 2    | Coprizzo Bianco | Hub Cap White  | Couvre-Moyeu      | Radkappe Weiße |        |
| A2 22110395/0 | 2    | Coprizzo Grigio | Hub Cap Grey   | Couvre-Moyeu Gris | Radkappe Grau  |        |
| A3 22110347/0 | 2    | Coprizzo Grigio | Hub Cap Grey   | Couvre-Moyeu Gris | Radkappe Grau  |        |
| B3 22110348/0 | 2    | Coprizzo Grigio | Hub Cap Grey   | Couvre-Moyeu Gris | Radkappe Grau  |        |
| A4 22110381/0 | 2    | Coprizzo Grigio | Hub Cap Grey   | Couvre-Moyeu Gris | Radkappe Grau  |        |
| B4 22110382/0 | 2    | Coprizzo Grigio | Hub Cap Grey   | Couvre-Moyeu Gris | Radkappe Grau  |        |
| A5 22110416/0 | 2    | Coprizzo Grigio | Hub Cap Grey   | Couvre-Moyeu Gris | Radkappe Grau  |        |
| B5 22110417/0 | 2    | Coprizzo Grigio | Hub Cap Grey   | Couvre-Moyeu Gris | Radkappe Grau  |        |
| A6 22110491/0 | 2    | Coprizzo Grigio | Hub Cap Grey   | Couvre-Moyeu Gris | Radkappe Grau  |        |
| B6 22110492/0 | 2    | Coprizzo Grigio | Hub Cap Grey   | Couvre-Moyeu Gris | Radkappe Grau  |        |
| A7 22110493/0 | 2    | Coprizzo Grigio | Hub Cap Grey   | Couvre-Moyeu Gris | Radkappe Grau  |        |
| B7 22110494/0 | 2    | Coprizzo Grigio | Hub Cap Grey   | Couvre-Moyeu Gris | Radkappe Grau  |        |
| A8 22110495/0 | 2    | Coprizzo Grigio | Hub Cap Grey   | Couvre-Moyeu Gris | Radkappe Grau  |        |
| B8 22110496/0 | 2    | Coprizzo Grigio | Hub Cap Grey   | Couvre-Moyeu Gris | Radkappe Grau  |        |

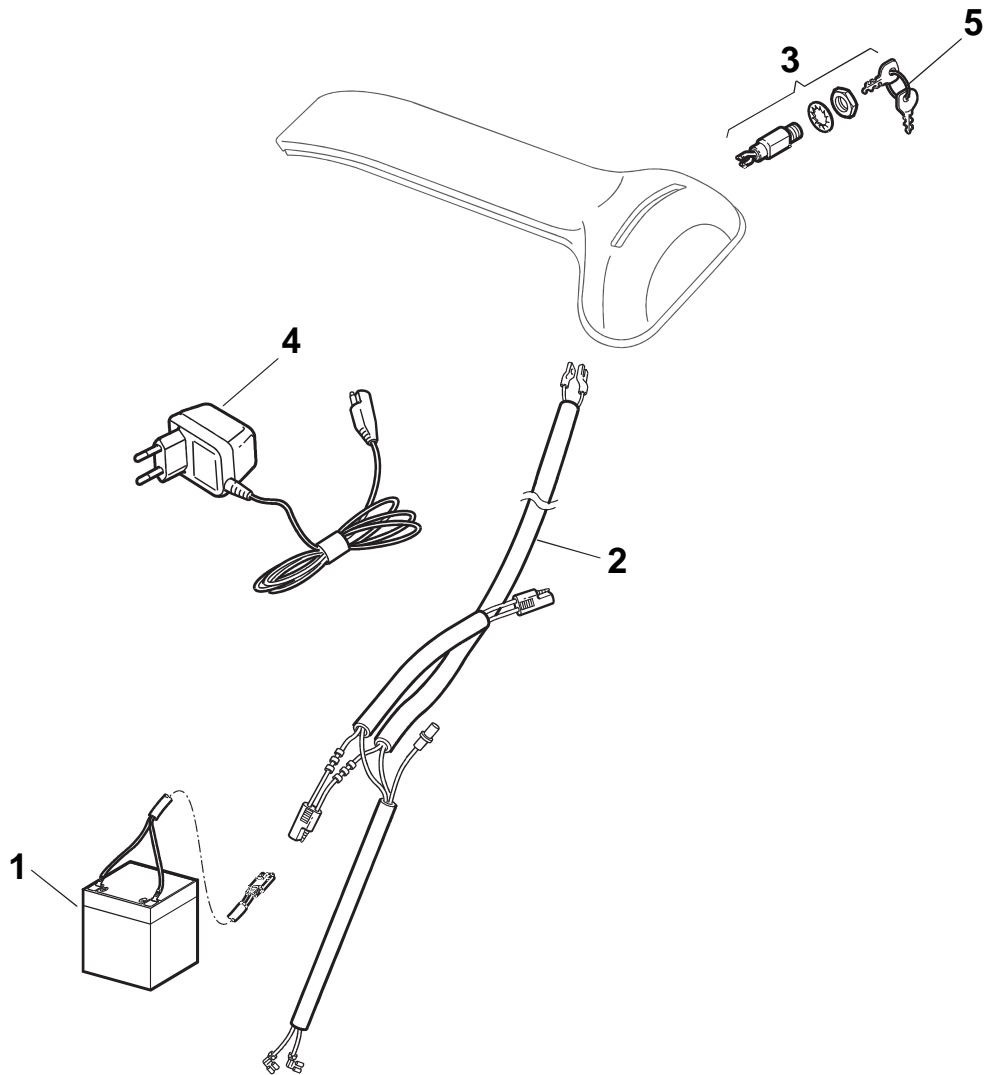


| N. | CODE        | Q.TY | DESCRIZIONE                    | DESCRIPTION                | DESCRIPTION                     | BESCHREIBUNG                | REMARK                       |
|----|-------------|------|--------------------------------|----------------------------|---------------------------------|-----------------------------|------------------------------|
| 1  | 381006875/0 | 1    | Manico, Parte Sup              | Handle, Upper Part         | Mancheron, Partie Superieure    | Holm, Oberteil              |                              |
| 2  | 12819120/0  | 2    | Vite                           | Screw                      | Vis                             | Schraube                    |                              |
| 3  | 22680006/1  | 2    | Rosetta                        | Washer                     | Rondelle                        | Scheibe                     |                              |
| 4  | 22399803/0  | 2    | Manopolina                     | Knob                       | Poignée                         | Griff                       |                              |
| 5  | 12293200/0  | 2    | Dado                           | Nut                        | Ecrou                           | Mutter                      |                              |
| 6  | 22430309/0  | 1    | Molla Guida                    | Guide Spring               | Ressort De Guide                | Feder Führer                |                              |
| 7  | 12154330/0  | 1    | Dado                           | Nut                        | Ecrou                           | Mutter                      |                              |
| 8  | 181030006/0 | 1    | Cavo Freno Motore              | Cable, Thread Engine Brake | Cable Frein Moteur              | Kabel, Motorbremse          | (B&S 700 Series DOV)         |
| 8  | 81000616/1  | 1    | Cavo Freno Motore              | Cable, Thread Engine Brake | Cable Frein Moteur              | Kabel, Motorbremse          | (Ggp 160cc)                  |
| 8  | 81000616/1  | 1    | Cavo Freno Motore              | Cable, Thread Engine Brake | Cable Frein Moteur              | Kabel, Motorbremse          | (Ggp 200cc)                  |
| 8  | 81000616/1  | 1    | Cavo Freno Motore              | Cable, Thread Engine Brake | Cable Frein Moteur              | Kabel, Motorbremse          | (Honda)                      |
| 8  | 81000634/0  | 1    | Cavo Freno Motore              | Cable, Thread Engine Brake | Cable Frein Moteur              | Kabel, Motorbremse          | 534 Tr/E (B&S 675 Series Es) |
| 8  | 81000757/0  | 1    | Cavo Freno Motore              | Cable, Thread Engine Brake | Cable Frein Moteur              | Kabel, Motorbremse          | (B&S 675 Series)             |
| 9  | 181003332/1 | 1    | Leva Freno Motore              | Lever, Engine Brake        | Levier Frein Moteur             | Hebel, Motorbremse          |                              |
| 10 | 22041966/0  | 2    | Bussola                        | Bush                       | Douille                         | Buchse                      |                              |
| 11 | 12727784/0  | 1    | Vite                           | Screw                      | Vis                             | Schraube                    |                              |
| 12 | 381030033/0 | 1    | Cavo Comando Frizione Meccanic | Cable, Mechanical Clutch   | Câble, Commande Embrayage Mecan | Kabel, Mechanische Kupplung |                              |
| 13 | 22291050/0  | 1    | Impugnatura Manico Nera        | Handgrip Black             | Poignée Noire                   | Handgriff Schwarz           |                              |
| 14 | 81003288/1  | 1    | Leva Trazione                  | Lever, Driving             | Levier Traction                 | Hebel, Antrieb              |                              |
| 15 | 22041965/1  | 2    | Bussola                        | Bush                       | Douille                         | Buchse                      |                              |
| 16 | 381008610/1 | 1    | Dotazione Viteria              | Outfit, Screws             | Dotation Visserie               | Satz, Schrauben             |                              |
| 21 | 81000669/0  | 1    | Cavo Comando Trazione          | Cable, Rear Drive          | Câble, Commande Traction        | Kabel, Antrieb              | (General Transmission)       |
| 30 | 322060228/0 | 1    | Carter Cinghia                 | Protection, Belt           | Protection                      | Schutz, Riemen              |                              |

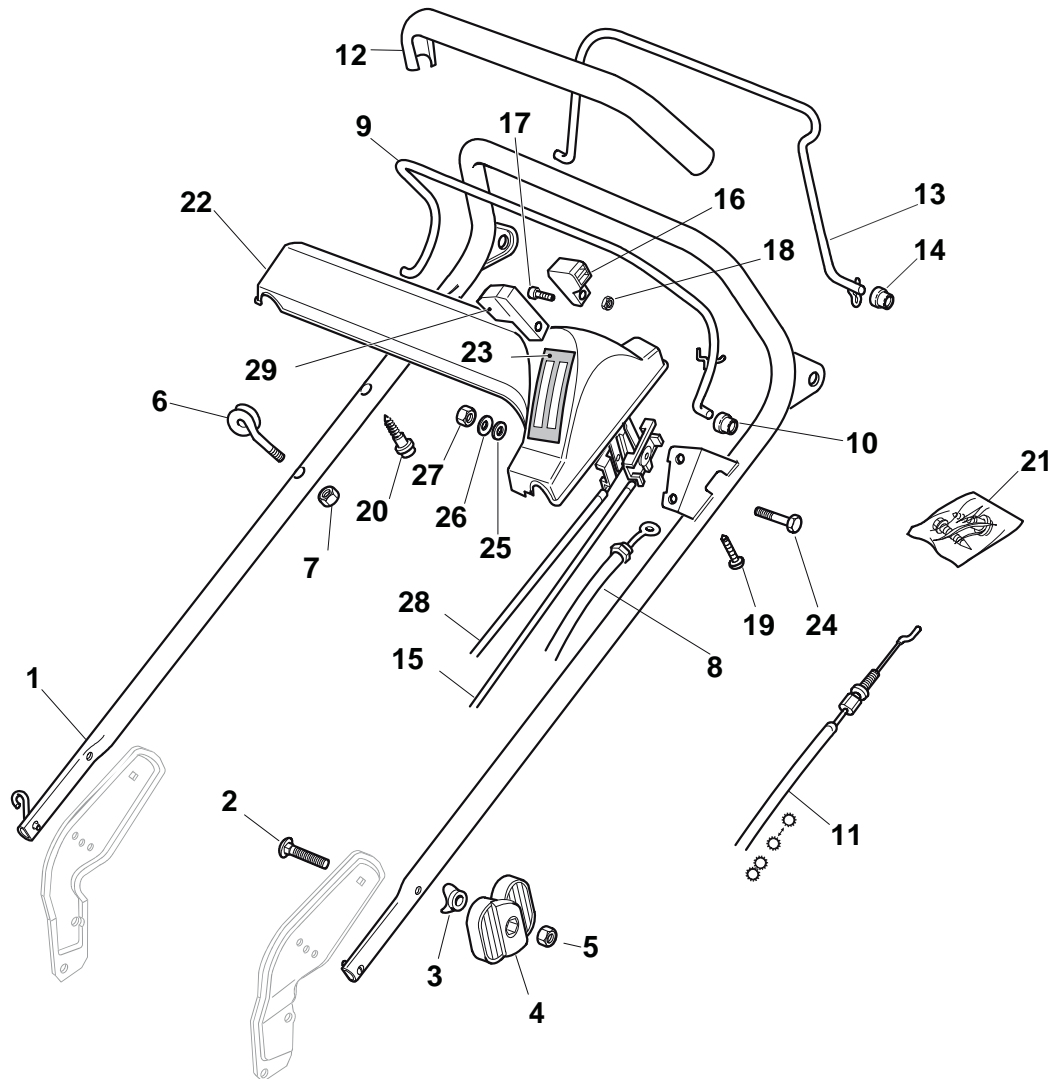




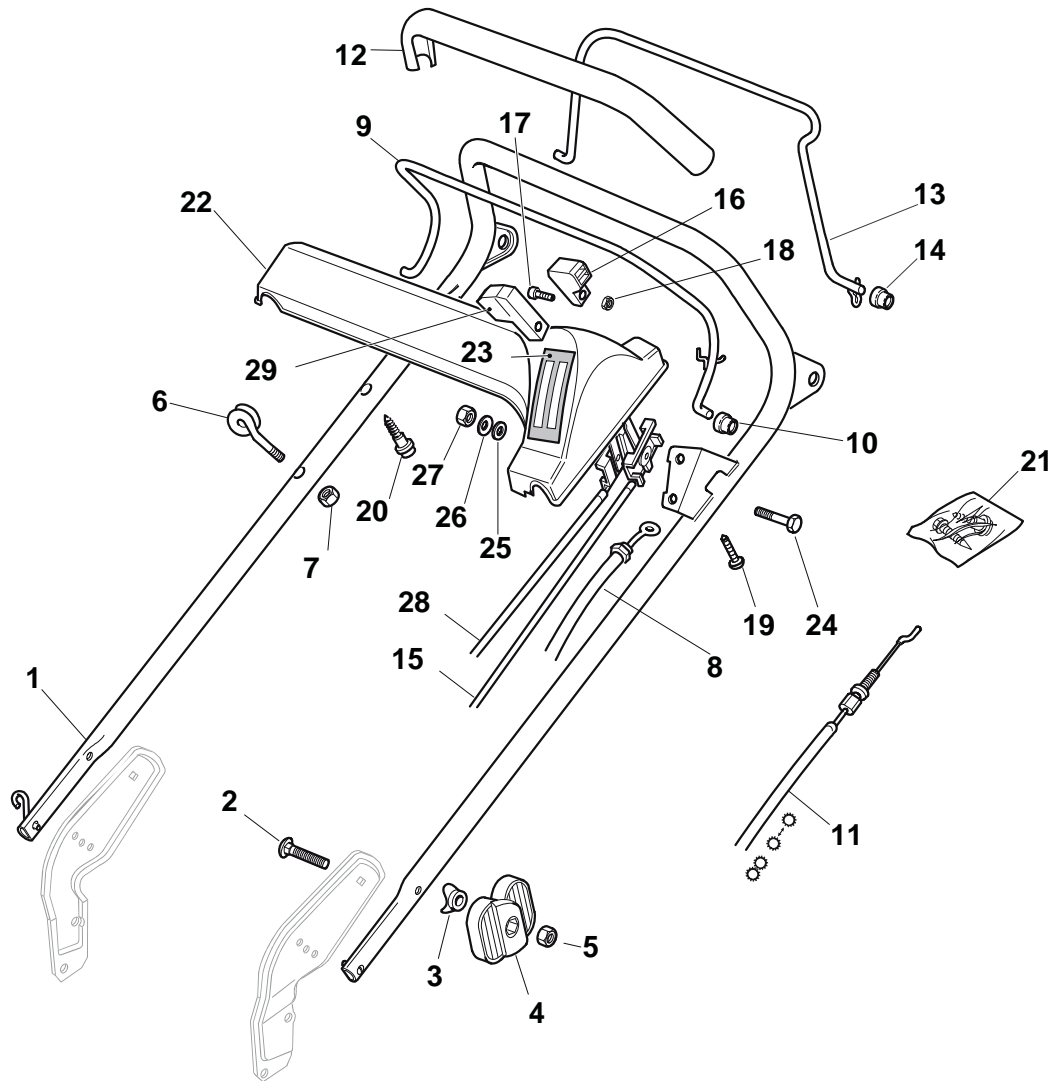
| N. | CODE        | Q.TY | DESCRIZIONE        | DESCRIPTION     | DESCRIPTION          | BESCHREIBUNG        | REMARK  |
|----|-------------|------|--------------------|-----------------|----------------------|---------------------|---|
| 1  | 12291000/0  | 1    | Dado               | Nut             | Ecrou                | Mutter              |   |
| 2  | 12581500/0  | 1    | Grower             | Grower          | Grower               | Federring           |   |
| 3  | 22171005/0  | 1    | Distanziale        | Spacer          | Entretoise           | Distanzring         |   |
| 4  | 12521360/0  | 1    | Rosetta            | Washer          | Rondelle             | Scheibe             |   |
| 5  | 12508100/0  | 1    | Rosetta Elastica   | Spring Washer   | Rondelle Elastique   | Elastische Scheibe  |   |
| 6  | 81007220/0  | 1    | Leva, Acceleratore | Lever, Throttle | Levier, Accelérateur | Hebel, Beshleuniger | (B&S 450-500 Series - GGP 150 cc)                     |
| 6  | 81007279/1  | 1    | Leva, Acceleratore | Lever, Throttle | Levier, Accelérateur | Hebel, Beshleuniger | (B&S 625-675-700 Series - Honda - GGP 140-160-196 cc) |
| 7  | 81007080/0  | 1    | Cavo Acceleratore  | Throttle Cable  | Cable, Accelérateur  | Gashebel Kabel      |   |
| 8  | 12815000/0  | 1    | Vite               | Screw           | Vis                  | Schraube            |   |
| 9  | 114356905/0 | 1    | Etichetta          | Label           | Etiquette            | Etikette            | (B&S 700 series DOV)                                  |
| 9  | 114356905/0 | 1    | Etichetta          | Label           | Etiquette            | Etikette            | (Honda GCV 160-190 Autochoke)                         |
| 9  | 114364264/0 | 1    | Etichetta          | Label           | Etiquette            | Etikette            | AVS (GGP 160-196)                                     |
| 9  | 14356702/0  | 1    | Etichetta          | Label           | Etiquette            | Etikette            | (Honda)   |
| 9  | 14356702/0  | 1    | Etichetta          | Label           | Etiquette            | Etikette            | (GGP)   |
| 9  | 14356703/0  | 1    | Etichetta          | Label           | Etiquette            | Etikette            | (B&S)   |



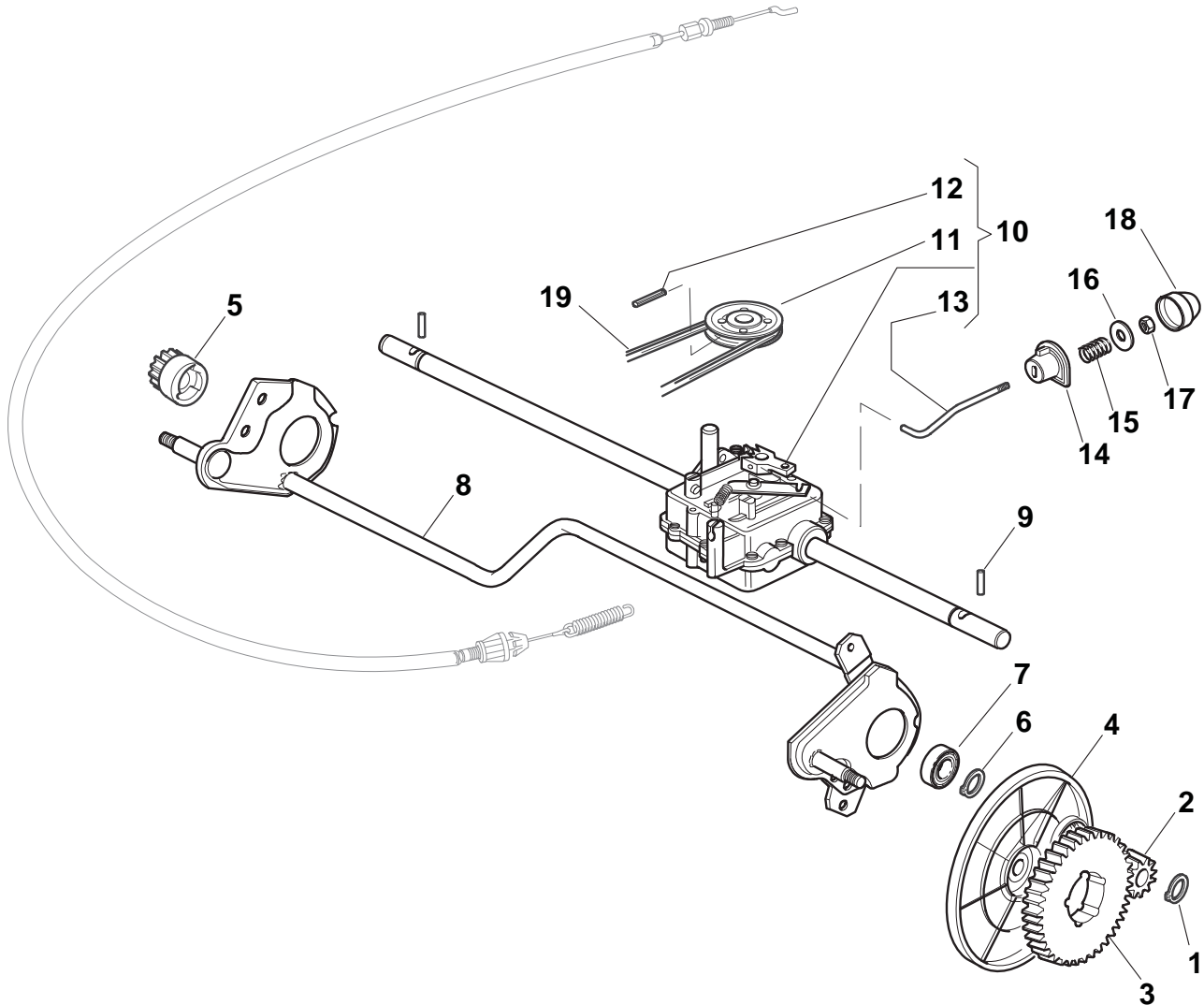
| N. | CODE        | Q.TY | DESCRIZIONE       | DESCRIPTION     | DESCRIPTION      | BESCHREIBUNG        | REMARK      |
|----|-------------|------|-------------------|-----------------|------------------|---------------------|-------------|
| 1  | 18120052/0  | 1    | Batteria          | Battery         | Batterie         | Batterie            |             |
| 2  | 118204192/3 | 1    | Cavo Avviamento   | Cable, Start    | Cable Démarrage  | Kabel, Start        | (B&S - Ggp) |
| 2  | 18204198/0  | 1    | Cavo Avviamento   | Cable, Start    | Cable Démarrage  | Kabel, Start        | (Honda)     |
| 3  | 18450050/0  | 1    | Interruttore      | Switch          | Interrupteur     | Schalter            |             |
| 4  | 18204120/0  | 1    | Carica Batteria   | Battery Charger | Chargeur De      | Ladgerät            | (CE)        |
| 4  | 18204121/0  | 1    | Carica Batteria   | Battery Charger | Chargeur De      | Ladgerät            | (UK)        |
| 5  | 18210016/1  | 1    | Chiave Avviamento | Starting Key    | Clef A Demarrage | Schlüssel Für Start |             |



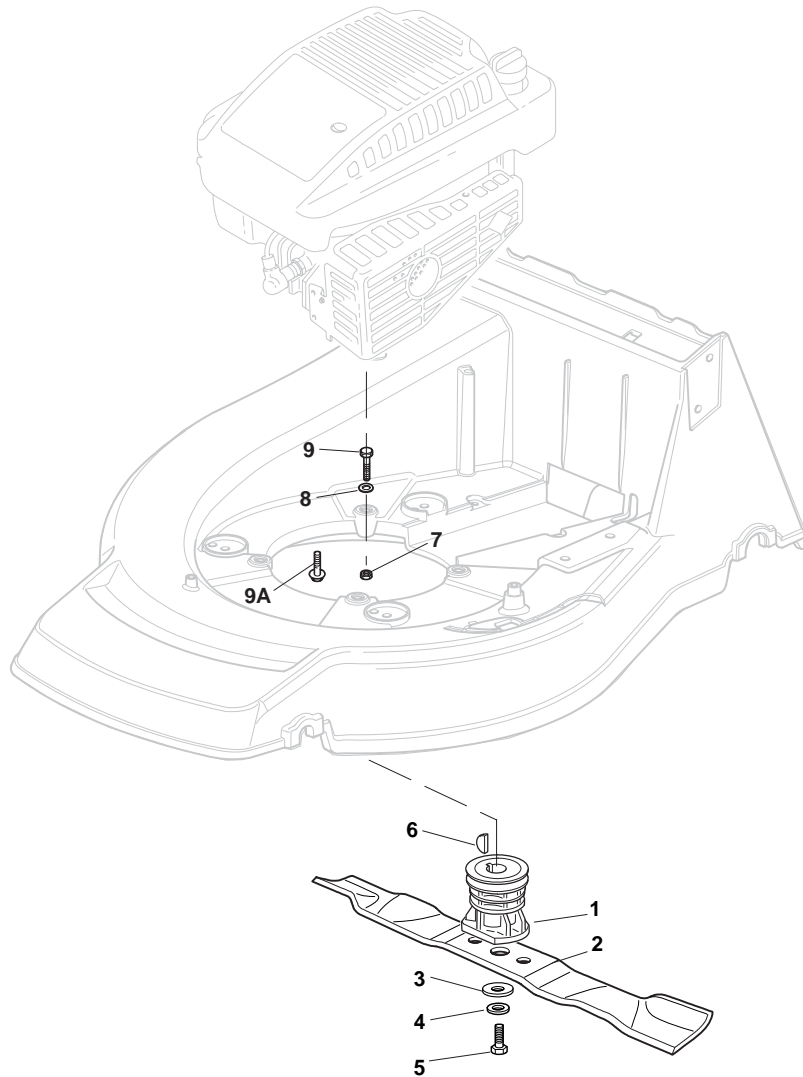
| N. | CODE       | Q.TY | DESCRIZIONE                 | DESCRIPTION                | DESCRIPTION                  | BESCHREIBUNG            | REMARK        |
|----|------------|------|-----------------------------|----------------------------|------------------------------|-------------------------|---------------|
| 1  | 81007028/1 | 1    | Manico, Parte Sup           | Handle, Upper Part         | Mancheron, Partie Superieure | Holm, Oberteil          |               |
| 2  | 12819120/0 | 2    | Vite                        | Screw                      | Vis                          | Schraube                |               |
| 3  | 22680006/1 | 2    | Rosetta                     | Washer                     | Rondelle                     | Scheibe                 |               |
| 4  | 22399803/0 | 2    | Manopolina                  | Knob                       | Poignée                      | Griff                   |               |
| 5  | 12293200/0 | 2    | Dado                        | Nut                        | Ecrou                        | Mutter                  |               |
| 6  | 22430309/0 | 1    | Molla Guida                 | Guide Spring               | Ressort De Guide             | Feder Führer            |               |
| 7  | 12154330/0 | 1    | Dado                        | Nut                        | Ecrou                        | Mutter                  |               |
| 8  | 81000616/1 | 1    | Cavo Freno Motore           | Cable, Thread Engine Brake | Cable Frein Moteur           | Kabel, Motorbremse      | (Honda)       |
| 8  | 81000631/0 | 1    | Cavo Freno Motore           | Cable, Thread Engine Brake | Cable Frein Moteur           | Kabel, Motorbremse      | (B&S)         |
| 8  | 81000634/0 | 1    | Cavo Freno Motore           | Cable, Thread Engine Brake | Cable Frein Moteur           | Kabel, Motorbremse      | (Ggp 200cc)   |
| 9  | 81003291/3 | 1    | Leva Freno Motore           | Lever, Engine Brake        | Levier Frein Moteur          | Hebel, Motorbremse      |               |
| 10 | 22041966/0 | 2    | Bussola                     | Bush                       | Douille                      | Buchse                  |               |
| 11 | 81000670/0 | 1    | Cavo Comando Trazione       | Cable, Rear Drive          | Câble, Commande Traction     | Kabel, Antrieb          |               |
| 12 | 22291050/0 | 1    | Impugnatura Manico Nera     | Handgrip Black             | Poignée Noire                | Handgriff Schwarz       |               |
| 13 | 81003288/1 | 1    | Leva Trazione               | Lever, Driving             | Levier Traction              | Hebel, Antrieb          |               |
| 14 | 22041965/1 | 2    | Bussola                     | Bush                       | Douille                      | Buchse                  |               |
| 15 | 81007091/0 | 1    | Cavo Acceleratore           | Throttle Cable             | Cable, Accelérateur          | Gashebel Kabel          | (B&S)         |
| 15 | 81007092/0 | 1    | Cavo Acceleratore           | Throttle Cable             | Cable, Accelérateur          | Gashebel Kabel          | (Honda - Ggp) |
| 16 | 22399801/0 | 1    | Manopolina                  | Knob                       | Poignée                      | Griff                   |               |
| 17 | 12726388/0 | 2    | Vite                        | Screw                      | Vis                          | Schraube                |               |
| 18 | 12290800/0 | 2    | Dado                        | Nut                        | Ecrou                        | Mutter                  |               |
| 19 | 12728460/0 | 1    | Vite                        | Screw                      | Vis                          | Schraube                |               |
| 20 | 22943006/0 | 1    | Vite                        | Screw                      | Vis                          | Schraube                |               |
| 21 | 81008499/1 | 1    | Dotazione Viteria Cruscotto | Outfit, Dash-Board Screws  | Dotation Visserie Consolle   | Satz, Konsole Schrauben |               |
| 22 | 22120148/0 | 1    | Cruscotto Giallo            | Dash Board Yellow          | Console Jaune                | Konsole Gelbe           |               |
| 22 | 22120150/0 | 1    | Cruscotto Rosso             | Dash Board Red             | Console Rouge                | Konsole Rote            |               |
| 22 | 22120164/0 | 1    | Cruscotto Nero              | Dash Board Black           | Console Noire                | Konsole Schwarze        |               |



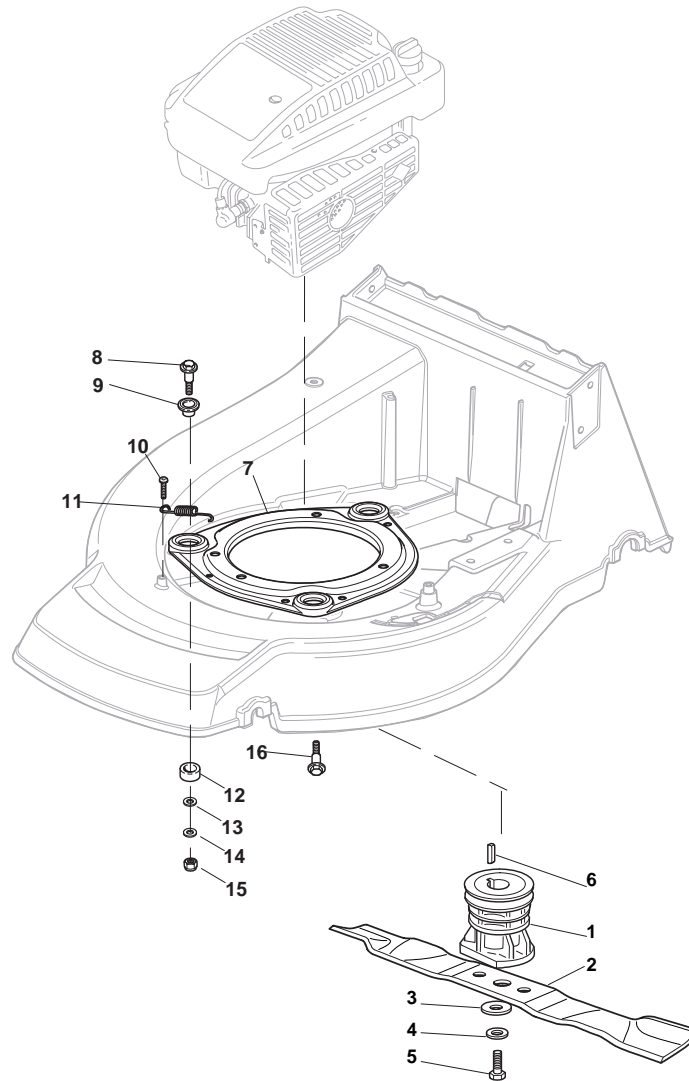
| N. | CODE        | Q.TY | DESCRIZIONE        | DESCRIPTION                | DESCRIPTION                     | BESCHREIBUNG         | REMARK                        |
|----|-------------|------|--------------------|----------------------------|---------------------------------|----------------------|-------------------------------|
| 23 | 114357387/0 | 1    | Etichetta          | Label                      | Etiquette                       | Etikette             | (B&S 700 series DOV)          |
| 23 | 114357387/0 | 1    | Etichetta          | Label                      | Etiquette                       | Etikette             | (Honda GCV 160-190 Autochoke) |
| 23 | 14356692/0  | 1    | Etichetta          | Label                      | Etiquette                       | Etikette             | (Honda)                       |
| 23 | 14356693/0  | 1    | Etichetta          | Label                      | Etiquette                       | Etikette             | (B&S)                         |
| 24 | 12788910/0  | 2    | Vite               | Screw                      | Vis                             | Schraube             |                               |
| 25 | 12523020/0  | 2    | Rosetta            | Washer                     | Rondelle                        | Scheibe              |                               |
| 26 | 12581500/0  | 2    | Grower             | Grower                     | Grower                          | Federring            |                               |
| 27 | 12291000/0  | 2    | Dado               | Nut                        | Ecrou                           | Mutter               |                               |
| 28 | 81007099/0  | 1    | Cavo Comando Marce | Cable, Speed Drive Control | Cable, Comm. Changement Vitesse | Kabel, Gangeschaltun |                               |
| 29 | 22399802/0  | 1    | Manopolina         | Knob                       | Poignée                         | Griff                |                               |



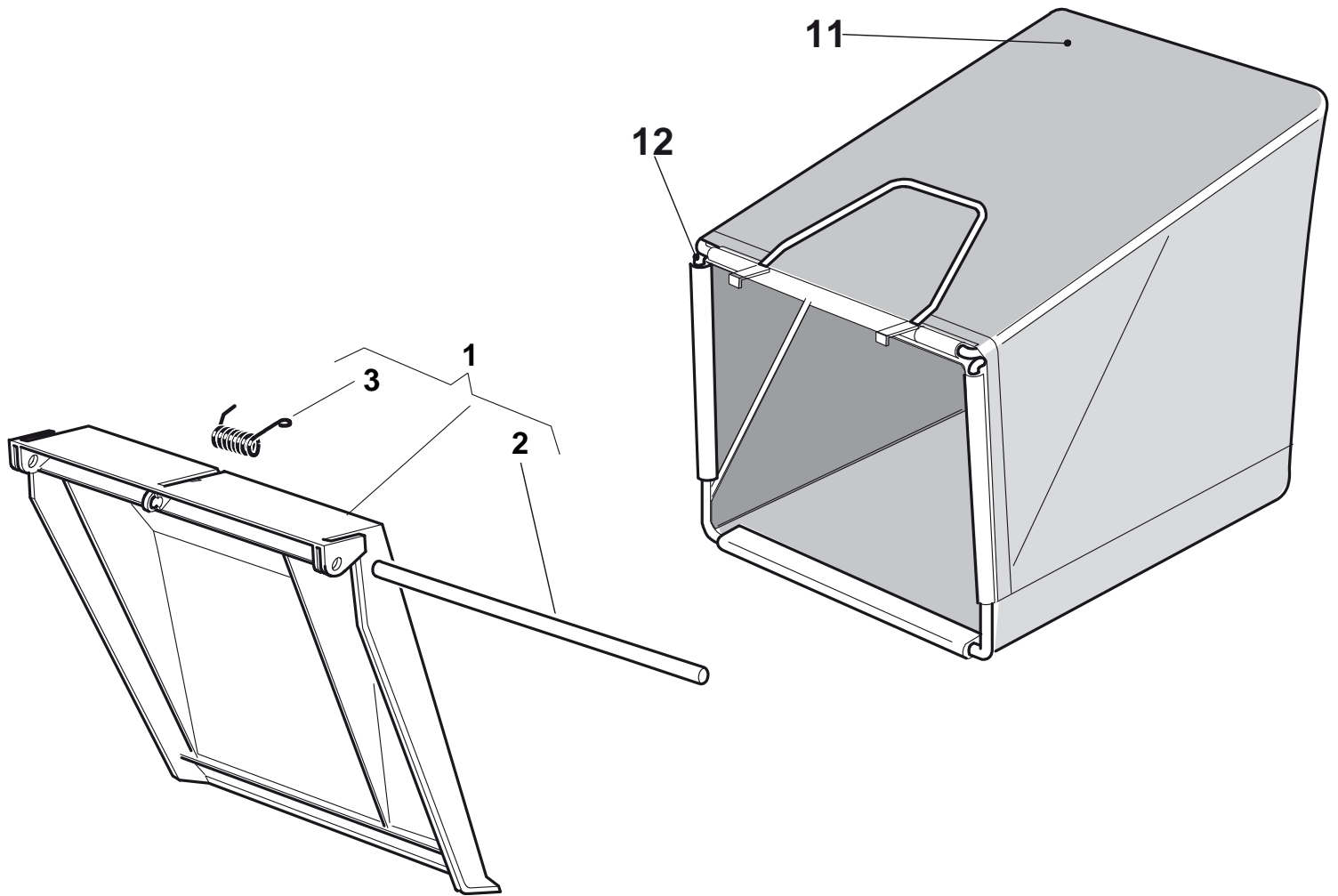
| N. | CODE       | Q.TY | DESCRIZIONE           | DESCRIPTION       | DESCRIPTION       | BESCHREIBUNG      | REMARK     |
|----|------------|------|-----------------------|-------------------|-------------------|-------------------|------------|
| 1  | 12608600/0 | 2    | Seeger                | Seeger            | Seeger            | Seeger            |            |
| 2  | 22570120/1 | 1    | Pignone Sx            | Pinion L          | Pignon G          | Ritzel Linkes     |            |
| 3  | 22120105/1 | 2    | Corona                | Ring Gear         | Couronne          | Kranz             |            |
| 4  | 22600091/1 | 2    | Prot. Ruote           | Protection, Wheel | Protection Roue   | Schütz, Räder     |            |
| 5  | 22570110/1 | 1    | Pignone Dx            | Pinion R          | Pignon D          | Ritzel Rechtes    |            |
| 6  | 12608600/0 | 2    | Seeger                | Seeger            | Seeger            | Seeger            |            |
| 7  | 19216035/0 | 2    | Cuscinetto            | Bearing           | Coussinet         | Lager             |            |
| 8  | 81002811/0 | 1    | Asse Ruote Posteriori | Axle, Rear Wheels | Axe Roues Arriere | Achse, Hinterrad  |            |
| 9  | 22753000/0 | 2    | Spina                 | Pin               | Goupille          | Stift             |            |
| 10 | 81003080/0 | 1    | Gruppo Trazione       | Gear Box          | Groupe Traction   | Antrieb           |            |
| 11 | 22601908/0 | 1    | Puleggia              | Pulley            | Poulie            | Riemenscheibe     |            |
| 12 | 12645705/0 | 1    | Spina                 | Pin               | Goupille          | Stift             |            |
| 13 | 22033282/1 | 1    | Asta Regolazione      | Adjustment Rod    | Tige Reglage      | Verstellungstange |            |
| 14 | 22041957/1 | 1    | Bussola               | Bush              | Douille           | Buchse            |            |
| 15 | 22450063/0 | 1    | Molla                 | Spring            | Ressort           | Feder             |            |
| 16 | 22680009/0 | 1    | Rosetta               | Washer            | Rondelle          | Scheibe           |            |
| 17 | 12154510/0 | 1    | Dado                  | Nut               | Ecrou             | Mutter            |            |
| 18 | 22110230/0 | 1    | Tappo                 | Cap               | Bouchon           | Gummistopfen      |            |
| 19 | 35064197/0 | 1    | Cinghia               | Belt              | Courroie          | Riemen            | (Z Lp 885) |



| N. | CODE        | Q.TY | DESCRIZIONE                     | DESCRIPTION                | DESCRIPTION                   | BESCHREIBUNG              | REMARK      |
|----|-------------|------|---------------------------------|----------------------------|-------------------------------|---------------------------|-------------|
| 1  | 122465607/3 | 1    | Mozzo, Albero Motore Ø 22.2     | Hub, Crankshaft Ø 22.2     | Moyeu, Arbre Moteur Ø 22.2    | Halter, Motorwelle Ø 22.2 |             |
| 1  | 122465608/2 | 1    | Mozzo, Albero Motore Ø 25       | Hub, Crankshaft Ø 25       | Moyeu, Arbre Moteur Ø 25      | Halter, Motorwelle Ø 25   |             |
| 2  | 81004381/1  | 1    | Coltello Standard               | Blade Standard             | Lame Standard                 | Messer Standard           |             |
| 2  | 81004383/0  | 1    | Coltello, Avs                   | Blade, Avs                 | Lame, Avs                     | Messer, Avs               |             |
| 3  | 22160400/0  | 1    | Disco Elastico                  | Elastic Washer             | Rondelle Elastique            | Elastischescheibe         |             |
| 4  | 12523080/0  | 1    | Rosetta                         | Washer                     | Rondelle                      | Scheibe                   |             |
| 5  | 12735698/0  | 1    | Vite                            | Screw                      | Vis                           | Schraube                  |             |
| 6  | 12139100/0  | 1    | Linguetta, Albero Motore Ø 22.2 | Feather, Crankshaft Ø 22.2 | Clavette, Arbre Moteur Ø 22.2 | Keil, Motorwelle Ø 22.2   | (B&S - GGP) |
| 6  | 12139150/0  | 1    | Linguetta, Albero Motore Ø 25   | Feather, Crankshaft Ø 25   | Clavette, Arbre Moteur Ø 25   | Keil, Motorwelle Ø 25     | (Honda)     |
| 7  | 12155000/0  | 3    | Dado                            | Nut                        | Ecrou                         | Mutter                    |             |
| 8  | 12521350/0  | 3    | Rosetta                         | Washer                     | Rondelle                      | Scheibe                   |             |
| 9A | 112735108/1 | 3    | Vite                            | Screw                      | Vis                           | Schraube                  | (Honda)     |
| 9  | 12691800/0  | 2    | Vite                            | Screw                      | Vis                           | Schraube                  | (B&S)       |
| 9  | 12691900/0  | 3    | Vite                            | Screw                      | Vis                           | Schraube                  | (Ggp)       |
| 9  | 12692080/0  | 1    | Vite                            | Screw                      | Vis                           | Schraube                  | (B&S)       |

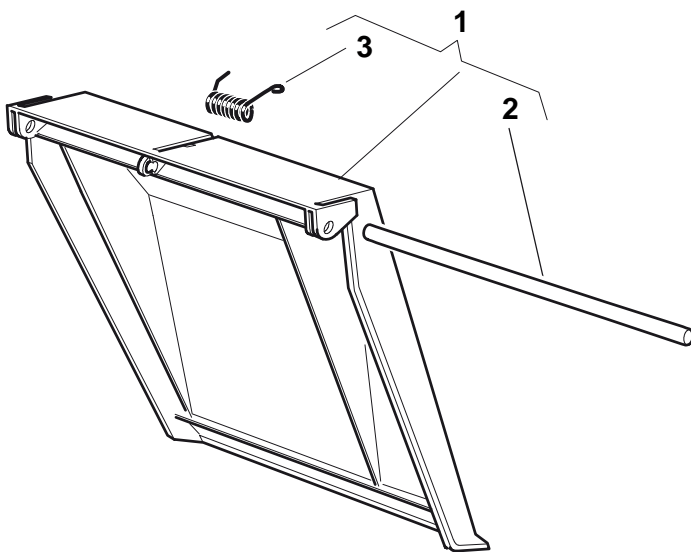
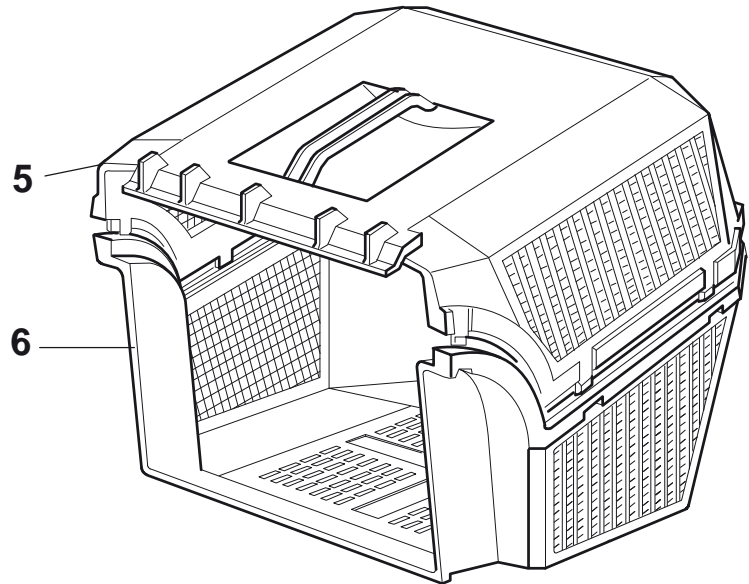


| N. | CODE        | Q.TY | DESCRIZIONE                              | DESCRIPTION                        | DESCRIPTION                            | BESCHREIBUNG                        | REMARK      |
|----|-------------|------|--|------------------------------------|--|-------------------------------------|-------------|
| 1  | 122465638/1 | 1    | Mozzo Con Puleggia, Albero Motore Ø 22.2 | Hub With Pulley, Crankshaft Ø 22.2 | Moyeu Avec Poulie, Arbre Moteur Ø 22.2 | Nabe Mit Scheibe, Motorwelle Ø 22.2 | (B&S - GGP) |
| 1  | 122465639/1 | 1    | Mozzo Con Puleggia, Albero Motore Ø 25   | Hub With Pulley, Crankshaft Ø 25   | Moyeu Avec Poulie, Arbre Moteur Ø 25   | Nabe Mit Scheibe, Motorwelle Ø 25   | (Honda)     |
| 2  | 81004381/1  | 1    | Coltello Standard                        | Blade Standard                     | Lame Standard                          | Messer Standard                     |             |
| 2  | 81004383/0  | 1    | Coltello, Avs                            | Blade, Avs                         | Lame, Avs                              | Messer, Avs                         |             |
| 3  | 22160400/0  | 1    | Disco Elastico                           | Elastic Washer                     | Rondelle Elastique                     | Elastischescheibe                   |             |
| 4  | 12523080/0  | 1    | Rosetta                                  | Washer                             | Rondelle                               | Scheibe                             |             |
| 5  | 12736815/0  | 1    | Vite                                     | Screw                              | Vis                                    | Schraube                            |             |
| 6  | 12139100/0  | 1    | Linguetta, Albero Motore Ø 22.2          | Feather, Crankshaft Ø 22.2         | Clavette, Arbre Moteur Ø 22.2          | Keil, Motorwelle Ø 22.2             | (B&S - GGP) |
| 6  | 12139150/0  | 1    | Linguetta, Albero Motore Ø 25            | Feather, Crankshaft Ø 25           | Clavette, Arbre Moteur Ø 25            | Keil, Motorwelle Ø 25               | (Honda)     |
| 7  | 22207223/0  | 1    | Flangia                                  | Flange                             | Bride                                  | Flansch                             |             |
| 8  | 22524329/0  | 3    | Perno                                    | Pin                                | Pivot                                  | Bolzen                              |             |
| 9  | 22672201/0  | 3    | Rondella                                 | Washer                             | Rondelle                               | Scheibe                             |             |
| 10 | 12729601/1  | 1    | Vite                                     | Screw                              | Vis                                    | Schraube                            |             |
| 11 | 22450445/0  | 1    | Molla                                    | Spring                             | Ressort                                | Feder                               |             |
| 12 | 22250012/0  | 3    | Gommino                                  | Grommet                            | Caoutchouc                             | Gummi                               |             |
| 13 | 22671651/0  | 3    | Rosetta                                  | Washer                             | Rondelle                               | Scheibe                             |             |
| 14 | 12521350/0  | 3    | Rosetta                                  | Washer                             | Rondelle                               | Scheibe                             |             |
| 15 | 12155000/0  | 3    | Dado                                     | Nut                                | Ecrou                                  | Mutter                              |             |
| 16 | 112735108/1 | 3    | Vite                                     | Screw                              | Vis                                    | Schraube                            | (Honda)     |

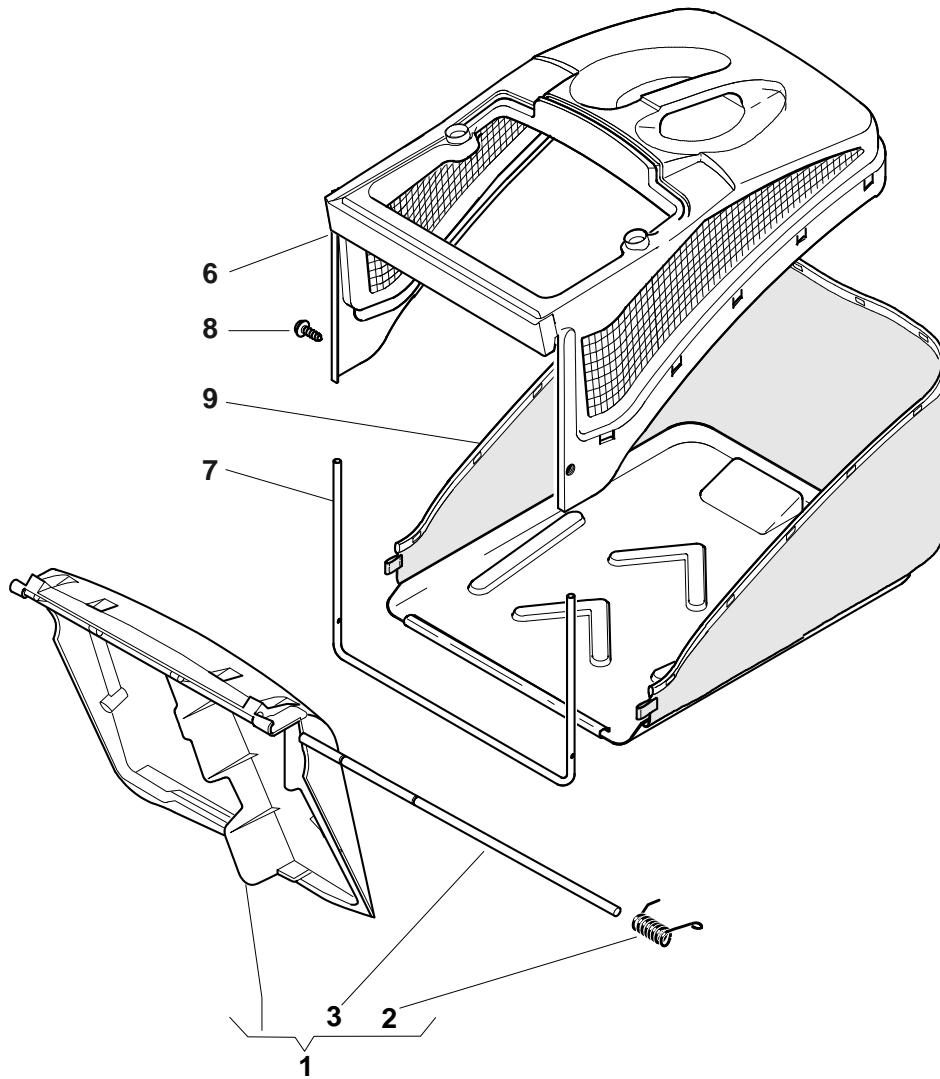


| N. | CODE        | Q.TY | DESCRIZIONE      | DESCRIPTION      | DESCRIPTION            | BESCHREIBUNG   | REMARK |
|----|-------------|------|------------------|------------------|------------------------|----------------|--------|
| 1  | 381008041/0 | 1    | Parasassi        | Stone-Guard      | Pare-Pierres           | Prallblech     |        |
| 1  | 381008044/0 | 1    | Parasassi        | Stone-Guard      | Pare-Pierres           | Prallblech     |        |
| 2  | 22450270/0  | 1    | Molla            | Spring           | Ressort                | Feder          |        |
| 2  | 22517856/1  | 1    | Perno            | Pin              | Pivot                  | Bolzen         |        |
| 3  | 22450270/0  | 1    | Molla            | Spring           | Ressort                | Feder          |        |
| 3  | 22517907/0  | 1    | Perno            | Pin              | Pivot                  | Bolzen         |        |
| 5  | 22486065/0  | 1    | Sacco, Parte Sup | Grass-Box, Upper | Sac, Partie Superieure | Korb, Oberteil |        |
| 11 | 81002124/1  | 1    | Sacco, Tela      | Box, Fabric      | Sac, Toile             | Sack, Tuck     |        |
| 12 | 81006430/0  | 1    | Telaio Sacco     | Chassis Box      | Châssis Bac            | Rahmen Sack    |        |

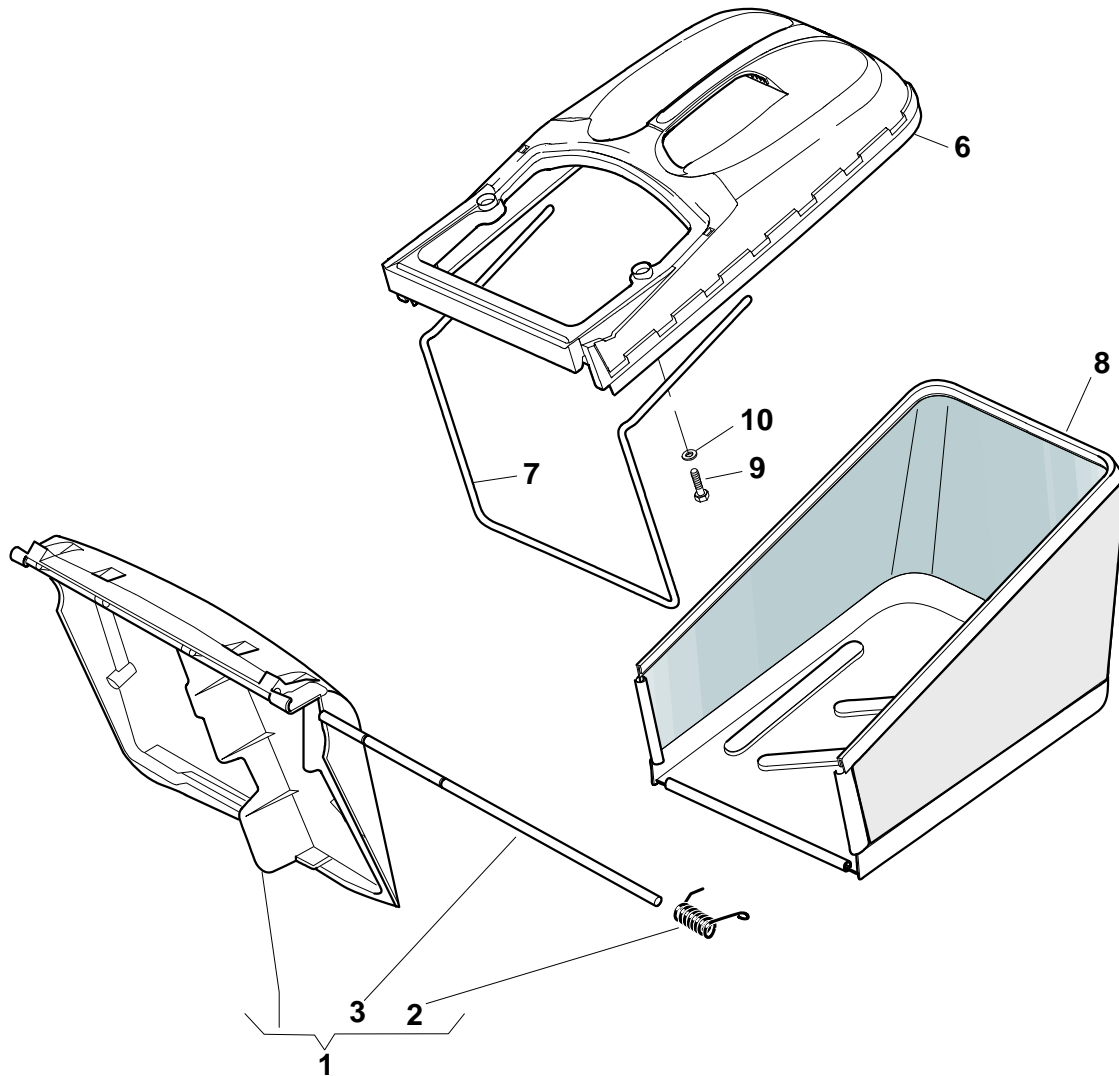




| N. | CODE        | Q.TY | DESCRIZIONE      | DESCRIPTION      | DESCRIPTION            | BESCHREIBUNG    | REMARK |
|----|-------------|------|------------------|------------------|------------------------|-----------------|--------|
| 1  | 381008041/0 | 1    | Parasassi        | Stone-Guard      | Pare-Pierres           | Prallblech      |        |
| 1  | 381008044/0 | 1    | Parasassi        | Stone-Guard      | Pare-Pierres           | Prallblech      |        |
| 2  | 22450270/0  | 1    | Molla            | Spring           | Ressort                | Feder           |        |
| 2  | 22517856/1  | 1    | Perno            | Pin              | Pivot                  | Bolzen          |        |
| 3  | 22450270/0  | 1    | Molla            | Spring           | Ressort                | Feder           |        |
| 3  | 22517907/0  | 1    | Perno            | Pin              | Pivot                  | Bolzen          |        |
| 5  | 22486064/0  | 1    | Sacco, Parte Inf | Grass-Box, Lower | Sac, Partie Inferieure | Korb, Unterteil |        |
| 5  | 22486065/0  | 1    | Sacco, Parte Sup | Grass-Box, Upper | Sac, Partie Superieure | Korb, Oberteil  |        |
| 6  | 22486064/0  | 1    | Sacco, Parte Inf | Grass-Box, Lower | Sac, Partie Inferieure | Korb, Unterteil |        |



| N. | CODE        | Q.TY | DESCRIZIONE      | DESCRIPTION      | DESCRIPTION       | BESCHREIBUNG   | REMARK |
|----|-------------|------|------------------|------------------|-------------------|----------------|--------|
| 1  | 381008042/0 | 1    | Parasassi        | Stone-Guard      | Pare-Pierres      | Prallblech     |        |
| 1  | 381008050/0 | 1    | Parasassi        | Stone-Guard      | Pare-Pierres      | Prallblech     |        |
| 2  | 22451000/0  | 1    | Molla            | Spring           | Ressort           | Feder          |        |
| 3  | 22517857/0  | 1    | Perno            | Pin              | Pivot             | Bolzen         |        |
| 3  | 22517907/0  | 1    | Perno            | Pin              | Pivot             | Bolzen         |        |
| 6  | 22486094/0  | 1    | Sacco, Parte Sup | Grass-Box, Upper | Sac, Partie       | Korb, Oberteil |        |
| 7  | 22608524/0  | 1    | Rinforzo Inf     | Stiffening Lower | Réinforcement Inf | Verstärkung    |        |
| 8  | 12728445/0  | 2    | Vite             | Screw            | Vis               | Schraube       |        |
| 9  | 81002196/0  | 1    | Sacco, Tela      | Box, Fabric      | Sac, Toile        | Sack, Tuck     |        |



| N. | CODE        | Q.TY | DESCRIZIONE      | DESCRIPTION      | DESCRIPTION     | BESCHREIBUNG   | REMARK |
|----|-------------|------|------------------|------------------|-----------------|----------------|--------|
| 1  | 381008042/0 | 1    | Parasassi        | Stone-Guard      | Pare-Pierres    | Prallblech     |        |
| 1  | 381008050/0 | 1    | Parasassi        | Stone-Guard      | Pare-Pierres    | Prallblech     |        |
| 2  | 22451000/0  | 1    | Molla            | Spring           | Ressort         | Feder          |        |
| 3  | 22517857/0  | 1    | Perno            | Pin              | Pivot           | Bolzen         |        |
| 6  | 22486102/0  | 1    | Sacco, Parte Sup | Grass-Box, Upper | Sac, Partie     | Korb, Oberteil |        |
| 7  | 22608526/0  | 1    | Rinforzo Inf     | Stiffening Lower | Réforcement Inf | Verstärkung    |        |
| 8  | 81002212/0  | 1    | Sacco, Tela      | Box, Fabric      | Sac, Toile      | Sack, Tuck     |        |
| 9  | 12728680/0  | 2    | Vite             | Screw            | Vis             | Schraube       |        |
| 10 | 12523050/0  | 2    | Rosetta          | Washer           | Rondelle        | Scheibe        |        |