

# Genuine Spare Parts

**CR 484 S - CS 484 S**

Catalogo delle parti di ricambio  
Spare parts catalogue  
Catalogue des pieces de rechange  
Ersatzteilkatalog

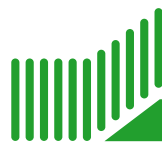
**2011**

- Use GLOBAL GARDEN PRODUCT Genuine Spare Parts specified in the parts list for repair and/or replacement.
- The contents described in the parts list may change due to improvement.
- The drawings of the spare parts are only indicative and might not represent the part in question exactly.
- The indications "right" - "left" - "front" - "rear" refer to the position of the operator when using the machine.
- When placing orders of parts for repair and/or replacement, make sure that the illustrated parts list is the one applying to the machine's year of manufacture, as shown on the identification plate attached to the machine.

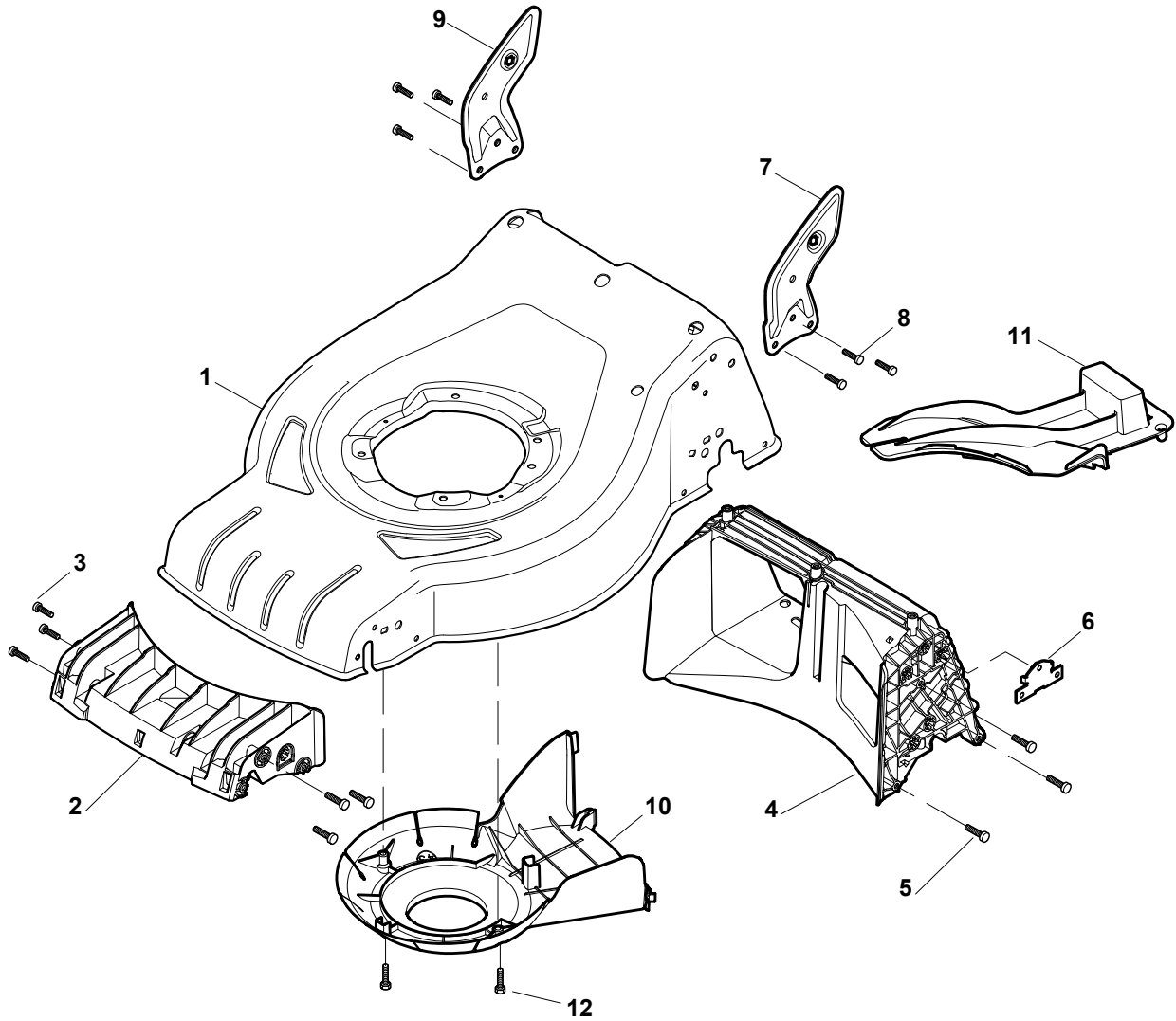
© Copyright 2011 Global Garden Products

All content is subject to copyright by Global Garden Products and may not be reproduced in whole or in part by any means, electronic or otherwise, without prior written approval.

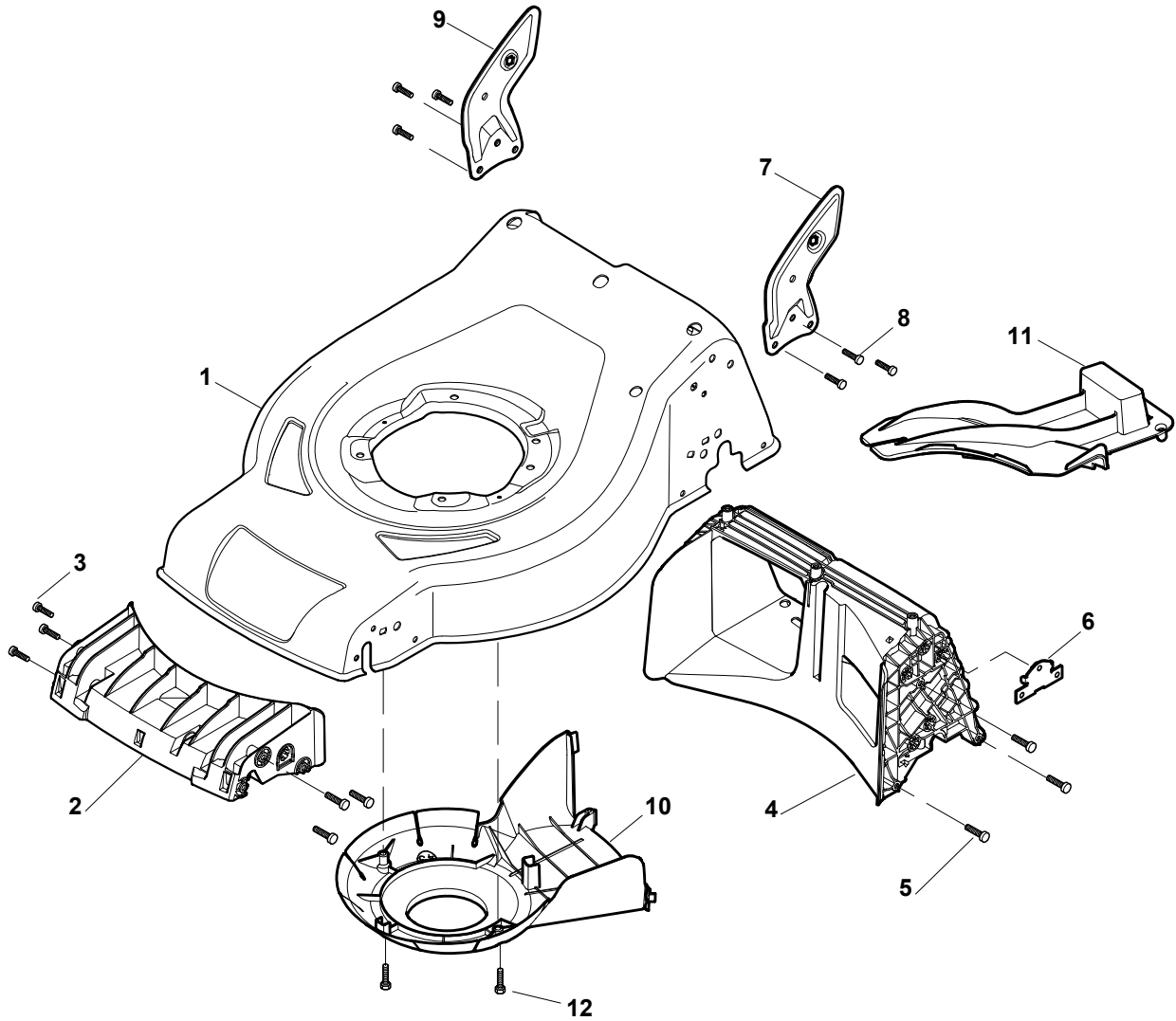
THIS INFORMATION IS NOT INTENDED FOR SALE OR RESALE, AND THIS NOTICE MUST REMAIN ON ALL COPIES.



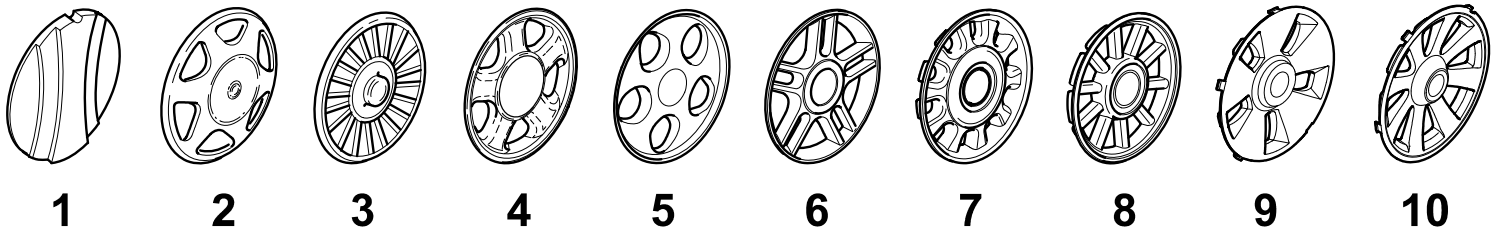
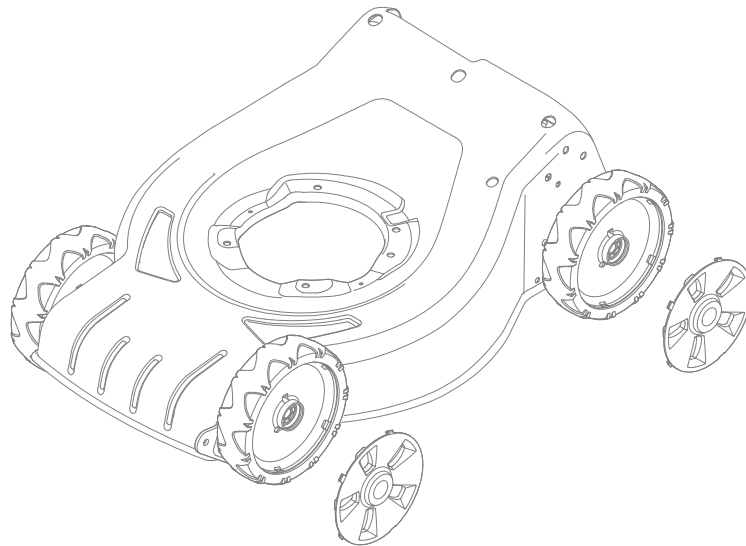
**GLOBAL GARDEN PRODUCTS**



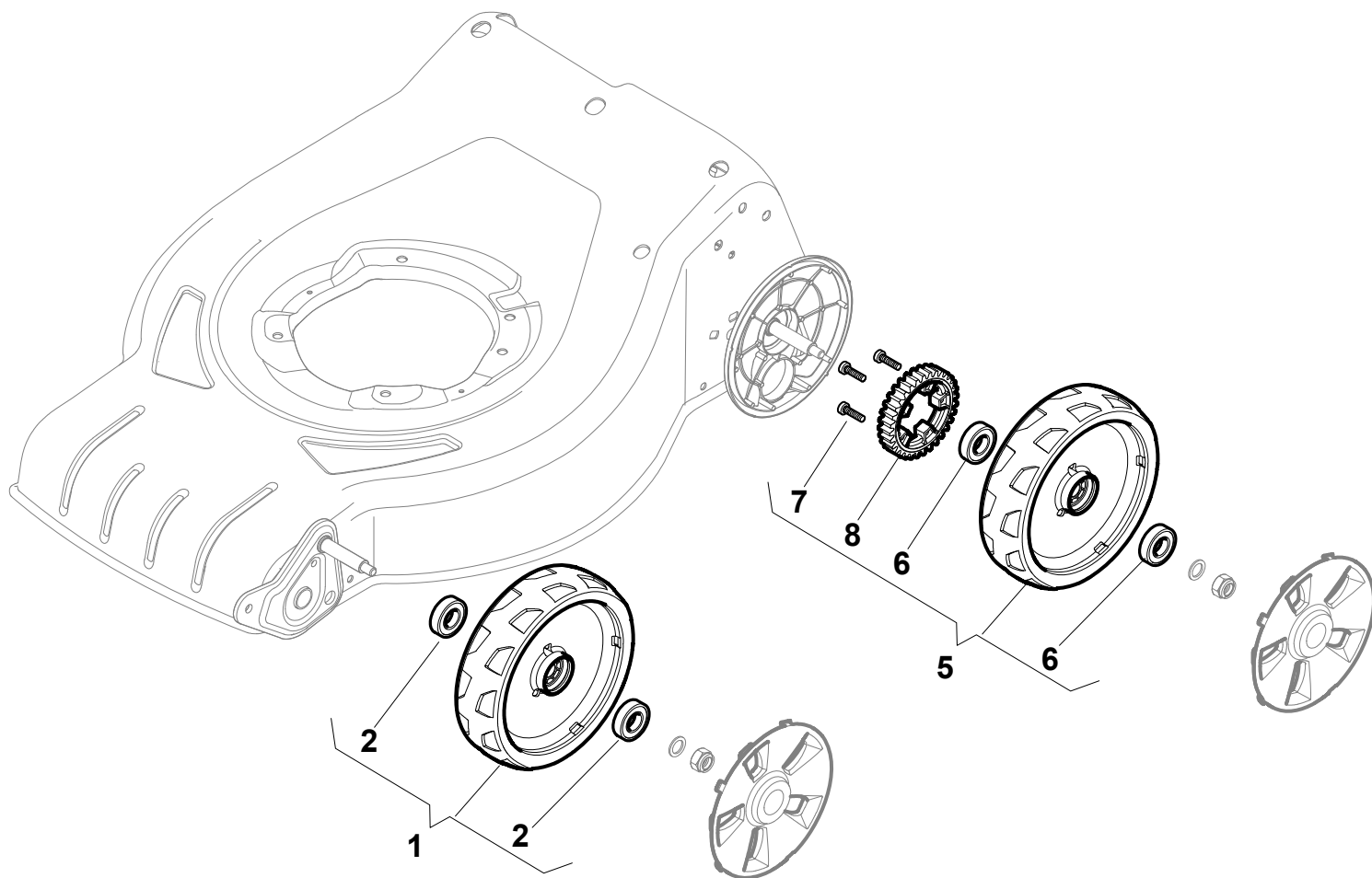
| N. | CODE        | Q.TY | DESCRIZIONE         | DESCRIPTION         | DESCRIPTION          | BESCHREIBUNG          | REMARK |
|----|-------------|------|---------------------|---------------------|----------------------|-----------------------|--------|
| 1  | 381004018/0 | 1    | Chassis Rosso       | Deck Red            | Châssis Rouge        | Gehäuse Rot           |        |
| 1  | 381004024/0 | 1    | Chassis Nero        | Deck Black          | Châssis Noir         | Gehäuse Schwarz       |        |
| 2  | 322108301/0 | 1    | Convogl. Anteriore  | Front Conveyor Assy | Ens. Convoyeur Avant | Hinterleitblechvorder |        |
| 3  | 112728699/0 | 6    | Vite                | Screw               | Vis                  | Schraube              |        |
| 4  | 322108302/0 | 1    | Convogl. Posteriore | Rear Conveyor Assy  | Ens. Convoyeur Post. | Hinterleitblechsatz   |        |
| 5  | 112728699/0 | 6    | Vite                | Screw               | Vis                  | Schraube              |        |
| 6  | 322545213/0 | 2    | Piastrina           | Plate               | Plaquette            | Platte                |        |
| 7  | 381005139/0 | 1    | Staffa Sx           | Bracket, L          | Bride G              | Pratze, Linke         |        |
| 8  | 112727801/0 | 6    | Vite                | Screw               | Vis                  | Schraube              |        |
| 9  | 381005137/0 | 1    | Staffa Dx           | Bracket, R          | Bride D              | Pratze, Rechte        |        |
| 10 | 322060242/0 | 1    | Carter Cinghia      | Protection, Belt    | Protection Courroie  | Schutz, Riemen        |        |
| 11 | 322140239/0 | 1    | Deflettore          | Deflector           | Deflecteur           | Deflektor             |        |
| 12 | 12728530/0  | 2    | Vite                | Screw               | Vis                  | Schraube              |        |



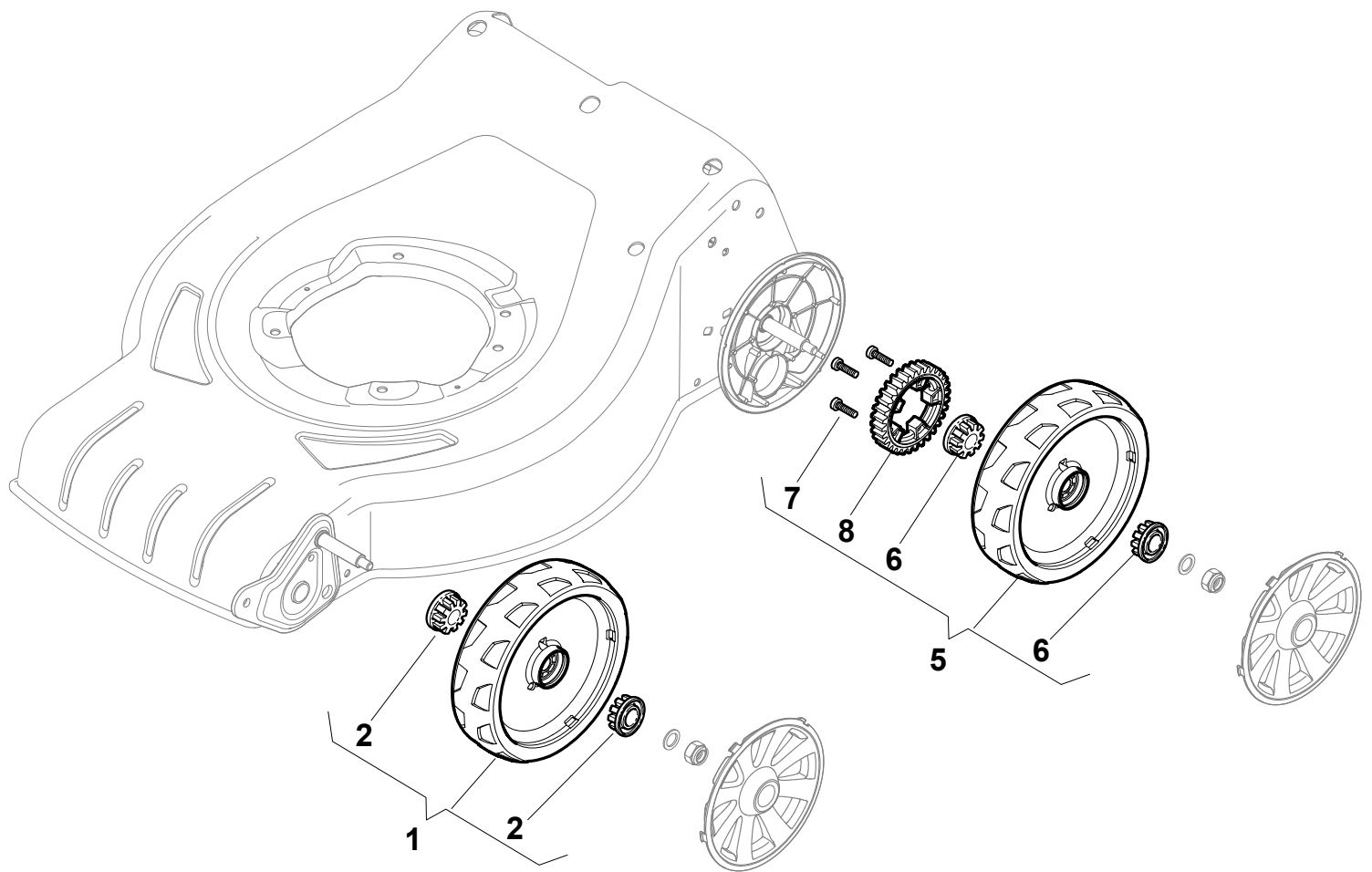
| N. | CODE        | Q.TY | DESCRIZIONE         | DESCRIPTION         | DESCRIPTION          | BESCHREIBUNG          | REMARK |
|----|-------------|------|---------------------|---------------------|----------------------|-----------------------|--------|
| 1  | 381004020/0 | 1    | Chassis Rosso       | Deck Red            | Châssis Rouge        | Gehäuse Rot           |        |
| 1  | 381004051/0 | 1    | Chassis Nero        | Deck Black          | Châssis Noir         | Gehäuse Schwarz       |        |
| 2  | 322108301/0 | 1    | Convogl. Anteriore  | Front Conveyor Assy | Ens. Convoyeur Avant | Hinterleitblechvorder |        |
| 3  | 112728699/0 | 6    | Vite                | Screw               | Vis                  | Schraube              |        |
| 4  | 322108302/0 | 1    | Convogl. Posteriore | Rear Conveyor Assy  | Ens. Convoyeur Post. | Hinterleitblechsatz   |        |
| 5  | 112728699/0 | 6    | Vite                | Screw               | Vis                  | Schraube              |        |
| 6  | 322545213/0 | 2    | Piastrina           | Plate               | Plaquette            | Platte                |        |
| 7  | 381005139/0 | 1    | Staffa Sx           | Bracket, L          | Bride G              | Pratze, Linke         |        |
| 8  | 112727801/0 | 6    | Vite                | Screw               | Vis                  | Schraube              |        |
| 9  | 381005137/0 | 1    | Staffa Dx           | Bracket, R          | Bride D              | Pratze, Rechte        |        |
| 10 | 322060242/0 | 1    | Carter Cinghia      | Protection, Belt    | Protection Courroie  | Schutz, Riemen        |        |
| 11 | 322140239/0 | 1    | Deflettore          | Deflector           | Deflecteur           | Deflektor             |        |
| 12 | 12728530/0  | 2    | Vite                | Screw               | Vis                  | Schraube              |        |



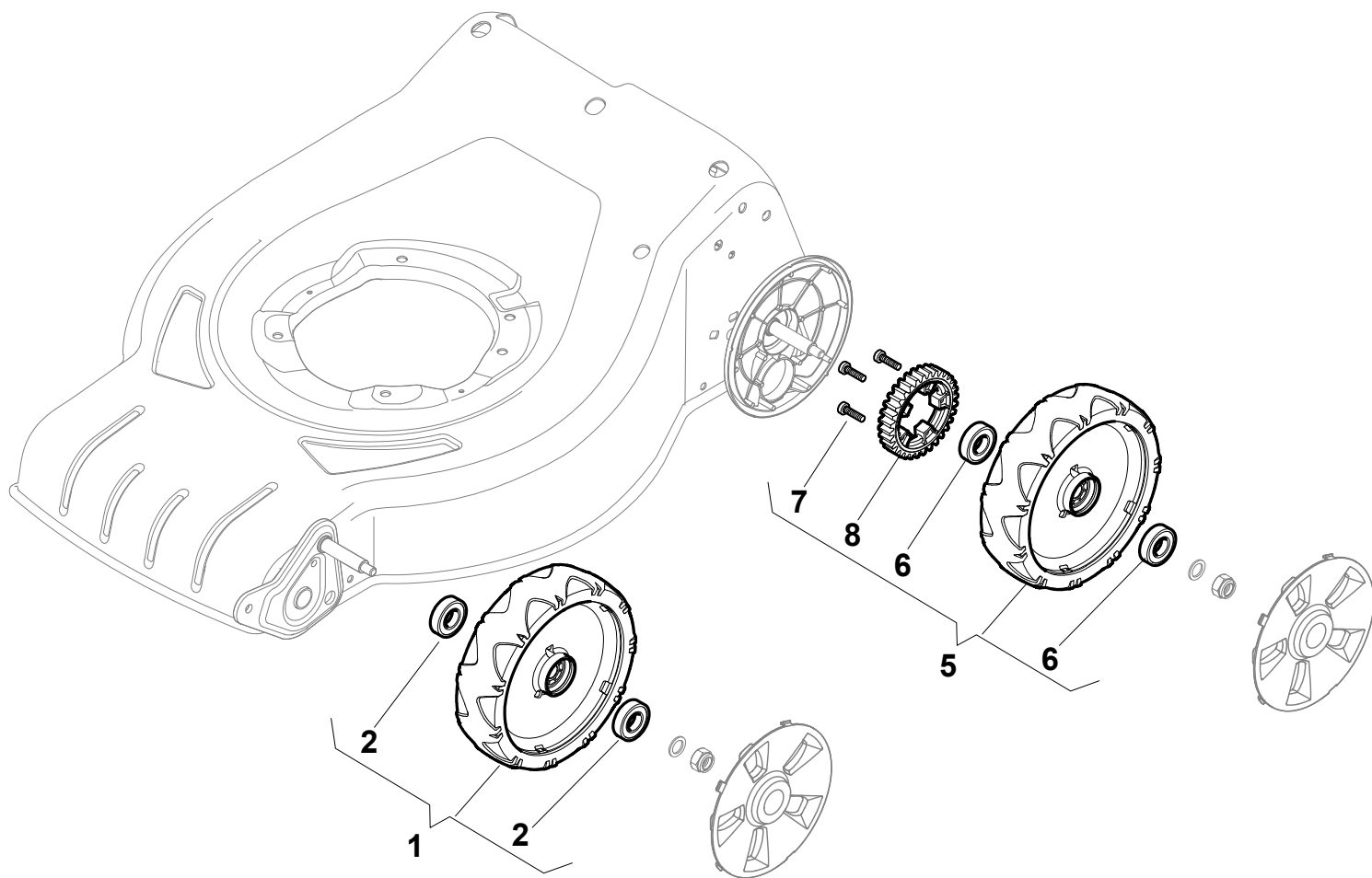
| N.  | CODE        | Q.TY | DESCRIZIONE       | DESCRIPTION    | DESCRIPTION       | BESCHREIBUNG   | REMARK |
|-----|-------------|------|-------------------|----------------|-------------------|----------------|--------|
| A1  | 22110252/1  | 4    | Coprimezzo Bianco | Hub Cap White  | Couvre-Moyeu      | Radkappe Weiße |        |
| A1  | 22110254/1  | 4    | Coprimezzo Giallo | Hub Cap Yellow | Couvre-Moyeu      | Radkappe Gelbe |        |
| A1  | 22110255/1  | 4    | Coprimezzo Rosso  | Hub Cap Red    | Couvre-Moyeu      | Radkappe Rote  |        |
| A1  | 22110381/0  | 4    | Coprimezzo Grigio | Hub Cap Grey   | Couvre-Moyeu Gris | Radkappe Grau  |        |
| A2  | 22110344/0  | 4    | Coprimezzo Bianco | Hub Cap White  | Couvre-Moyeu      | Radkappe Weiße |        |
| A2  | 22110395/0  | 4    | Coprimezzo Grigio | Hub Cap Grey   | Couvre-Moyeu Gris | Radkappe Grau  |        |
| A3  | 22110347/0  | 4    | Coprimezzo Grigio | Hub Cap Grey   | Couvre-Moyeu Gris | Radkappe Grau  |        |
| A4  | 22110381/0  | 4    | Coprimezzo Grigio | Hub Cap Grey   | Couvre-Moyeu Gris | Radkappe Grau  |        |
| A5  | 22110416/0  | 4    | Coprimezzo Grigio | Hub Cap Grey   | Couvre-Moyeu Gris | Radkappe Grau  |        |
| A6  | 22110491/0  | 4    | Coprimezzo Grigio | Hub Cap Grey   | Couvre-Moyeu Gris | Radkappe Grau  |        |
| A7  | 22110493/0  | 4    | Coprimezzo Grigio | Hub Cap Grey   | Couvre-Moyeu Gris | Radkappe Grau  |        |
| A8  | 22110495/0  | 4    | Coprimezzo Grigio | Hub Cap Grey   | Couvre-Moyeu Gris | Radkappe Grau  |        |
| A9  | 322110636/0 | 4    | Coprimezzo Grigio | Hub Cap Grey   | Couvre-Moyeu      | Radkappe       |        |
| A10 | 322110638/0 | 4    | Coprimezzo Grigio | Hub Cap Grey   | Couvre-Moyeu      | Radkappe       |        |



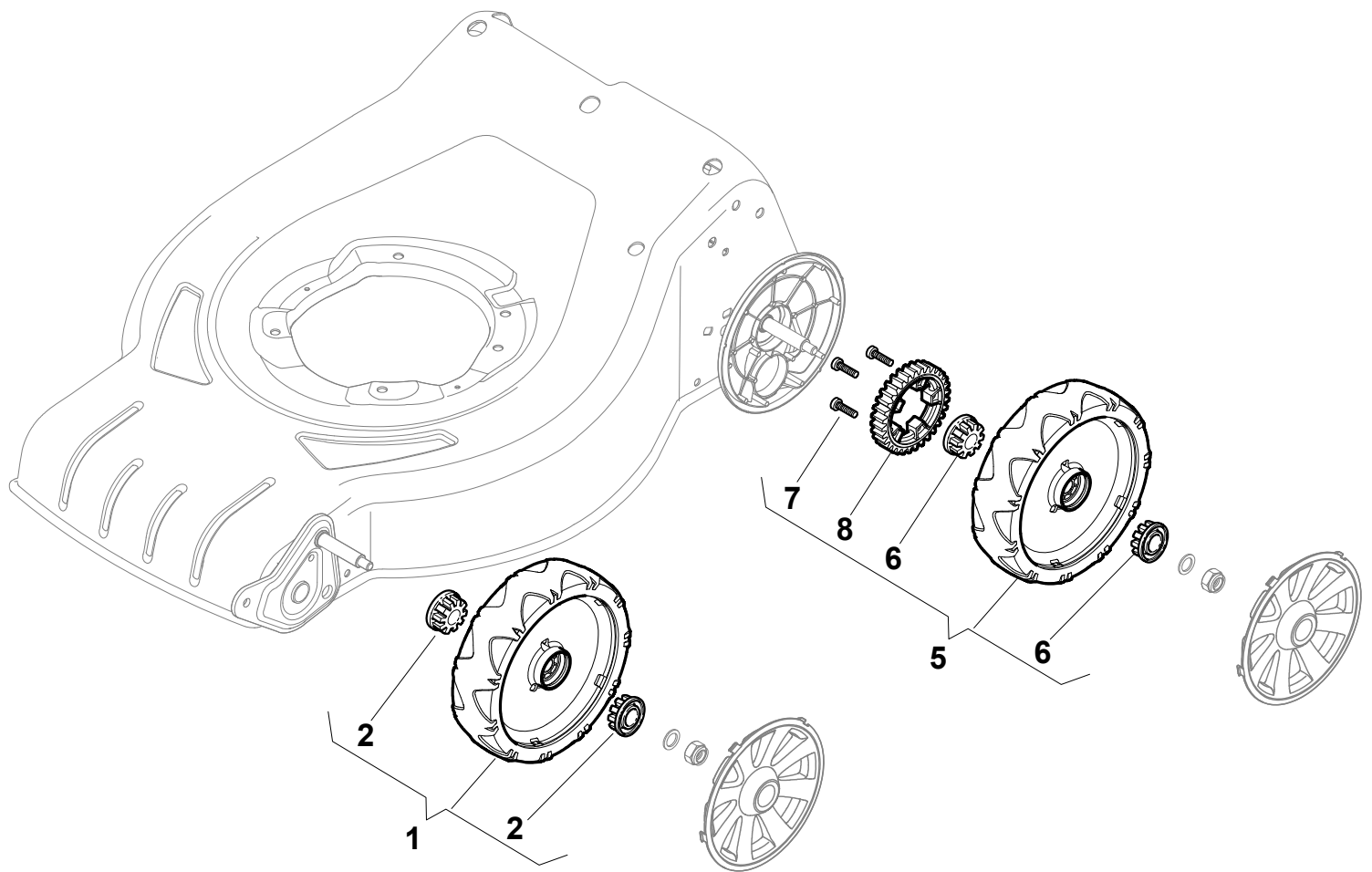
| N. | CODE        | Q.TY | DESCRIZIONE          | DESCRIPTION | DESCRIPTION | BESCHREIBUNG | REMARK |
|----|-------------|------|----------------------|-------------|-------------|--------------|--------|
| 1  | 381007448/0 | 2    | Ruota Ø 180          | Wheel Ø 180 | Roue Ø 180  | Rad Ø 180    |        |
| 2  | 19216035/0  | 4    | Cuscinetto           | Bearing     | Coussinet   | Lager        |        |
| 5  | 381007461/0 | 2    | Ruota Ø 180          | Wheel Ø 180 | Roue Ø 180  | Rad Ø 180    |        |
| 6  | 19216035/0  | 4    | Cuscinetto           | Bearing     | Coussinet   | Lager        |        |
| 7  | 112728706/0 | 6    | Vite                 | Screw       | Vis         | Schraube     |        |
| 8  | 322120116/0 | 2    | Corona Trascinamento | Ring Gear   | Couronne    | Kranz        |        |



| N. | CODE        | Q.TY | DESCRIZIONE          | DESCRIPTION | DESCRIPTION | BESCHREIBUNG | REMARK |
|----|-------------|------|----------------------|-------------|-------------|--------------|--------|
| 1  | 381007442/0 | 2    | Ruota Ø 180          | Wheel Ø 180 | Roue Ø 180  | Rad Ø 180    |        |
| 2  | 322042064/0 | 4    | Bussola              | Bush        | Douille     | Buchse       |        |
| 5  | 381007460/0 | 2    | Ruota Ø 180          | Wheel Ø 180 | Roue Ø 180  | Rad Ø 180    |        |
| 6  | 322042064/0 | 4    | Bussola              | Bush        | Douille     | Buchse       |        |
| 7  | 112728706/0 | 6    | Vite                 | Screw       | Vis         | Schraube     |        |
| 8  | 322120116/0 | 2    | Corona Trascinamento | Ring Gear   | Couronne    | Kranz        |        |

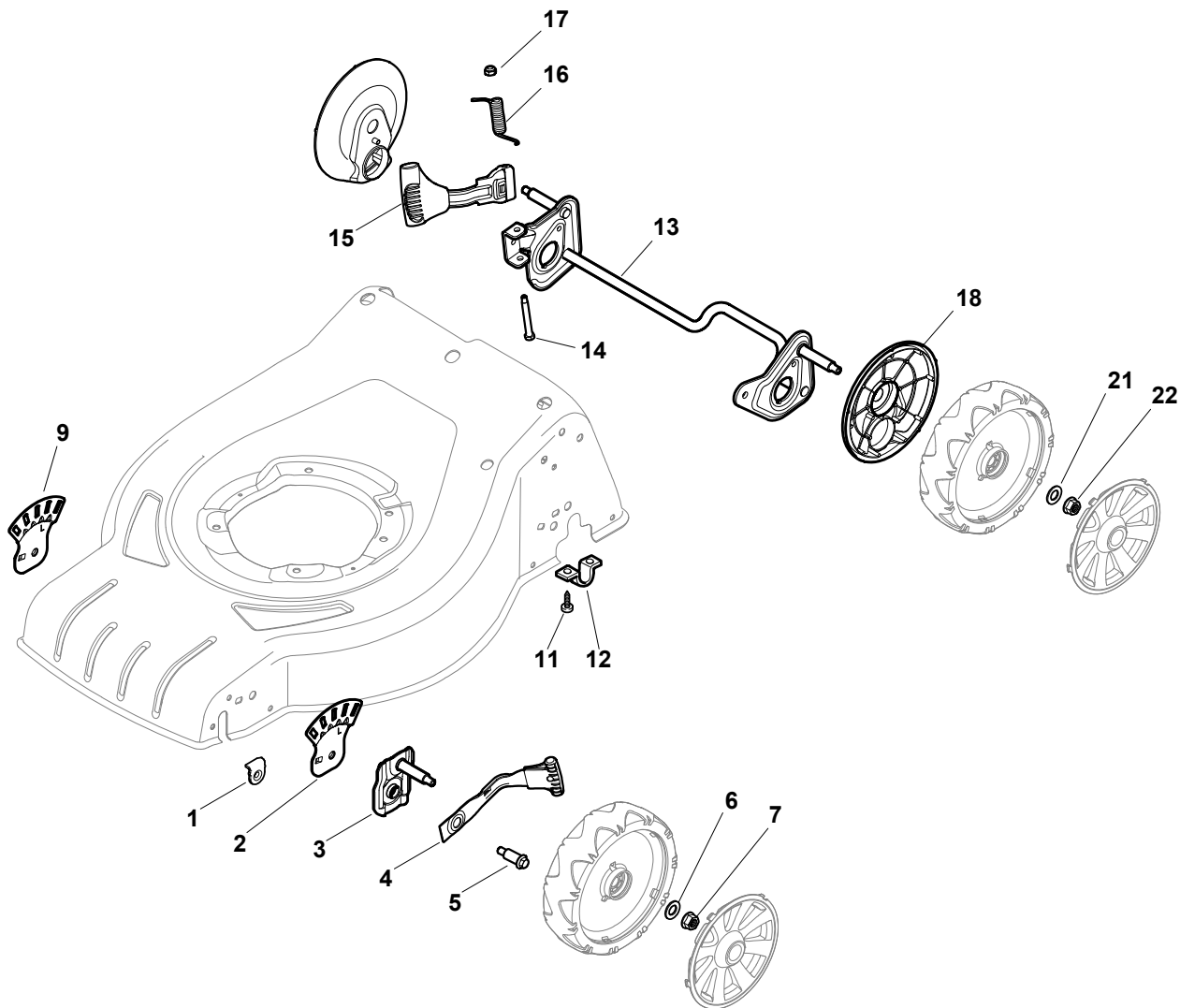


| N. | CODE        | Q.TY | DESCRIZIONE          | DESCRIPTION | DESCRIPTION | BESCHREIBUNG | REMARK |
|----|-------------|------|----------------------|-------------|-------------|--------------|--------|
| 1  | 381007455/0 | 2    | Ruota Ø 180          | Wheel Ø 180 | Roue Ø 180  | Rad Ø 180    |        |
| 2  | 19216035/0  | 4    | Cuscinetto           | Bearing     | Coussinet   | Lager        |        |
| 5  | 381007465/0 | 2    | Ruota Ø 180          | Wheel Ø 180 | Roue Ø 180  | Rad Ø 180    |        |
| 6  | 19216035/0  | 4    | Cuscinetto           | Bearing     | Coussinet   | Lager        |        |
| 7  | 112728706/0 | 6    | Vite                 | Screw       | Vis         | Schraube     |        |
| 8  | 322120116/0 | 2    | Corona Trascinamento | Ring Gear   | Couronne    | Kranz        |        |

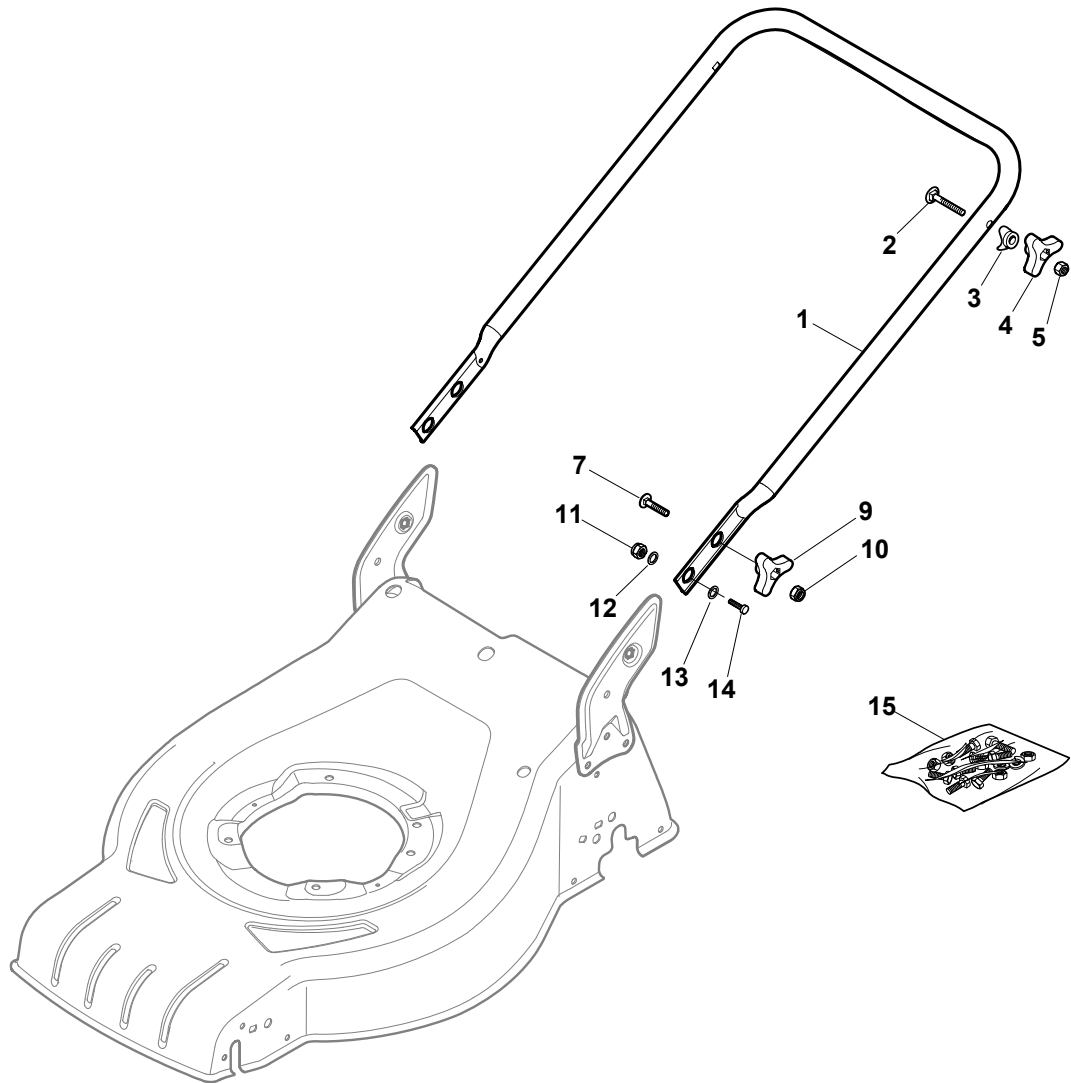


| N. | CODE        | Q.TY | DESCRIZIONE          | DESCRIPTION | DESCRIPTION | BESCHREIBUNG | REMARK |
|----|-------------|------|----------------------|-------------|-------------|--------------|--------|
| 1  | 381007445/0 | 2    | Ruota Ø 180          | Wheel Ø 180 | Roue Ø 180  | Rad Ø 180    |        |
| 2  | 322042064/0 | 4    | Bussola              | Bush        | Douille     | Buchse       |        |
| 5  | 381007464/0 | 2    | Ruota Ø 180          | Wheel Ø 180 | Roue Ø 180  | Rad Ø 180    |        |
| 6  | 322042064/0 | 4    | Bussola              | Bush        | Douille     | Buchse       |        |
| 7  | 112728706/0 | 6    | Vite                 | Screw       | Vis         | Schraube     |        |
| 8  | 322120116/0 | 2    | Corona Trascinamento | Ring Gear   | Couronne    | Kranz        |        |

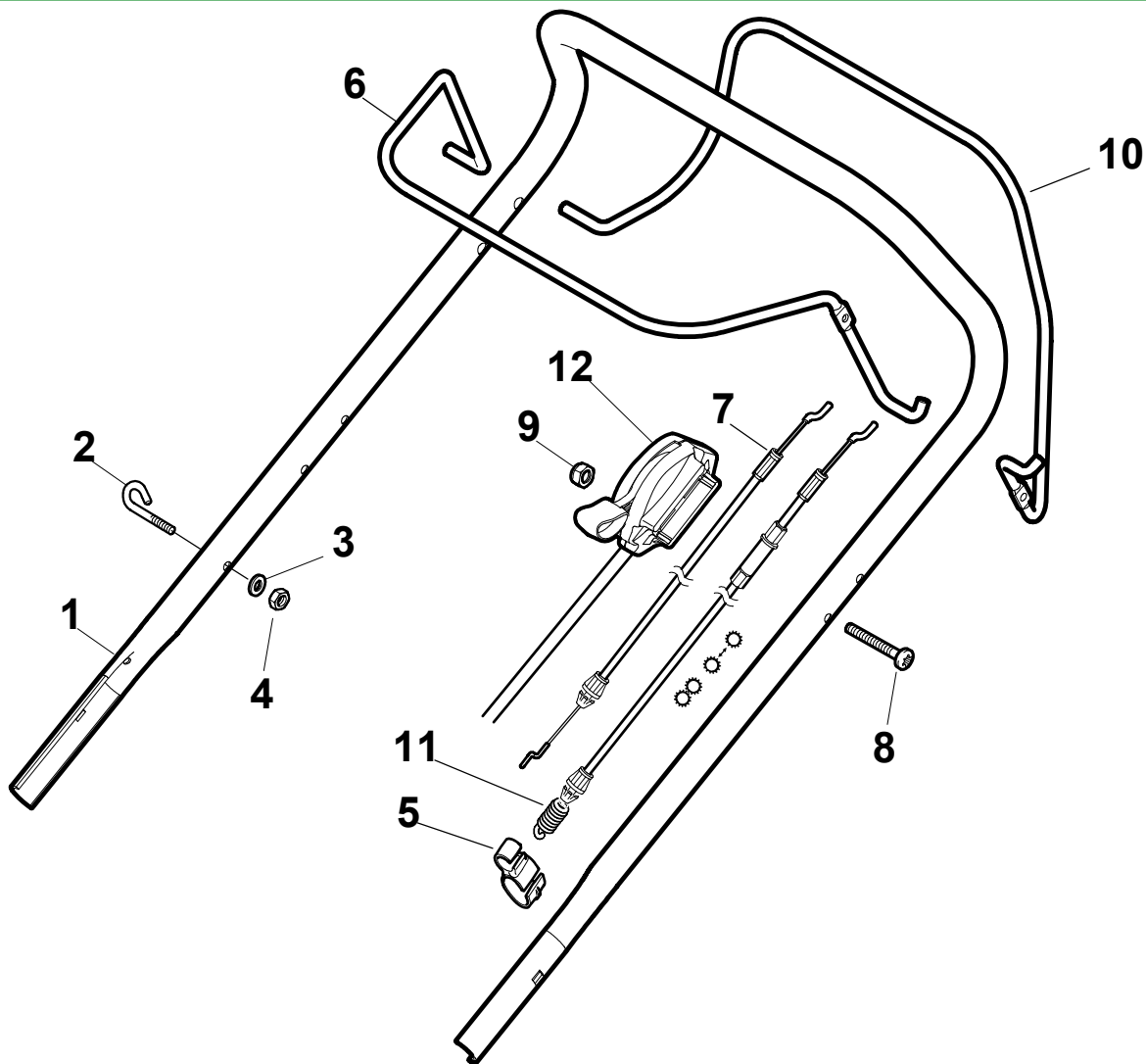




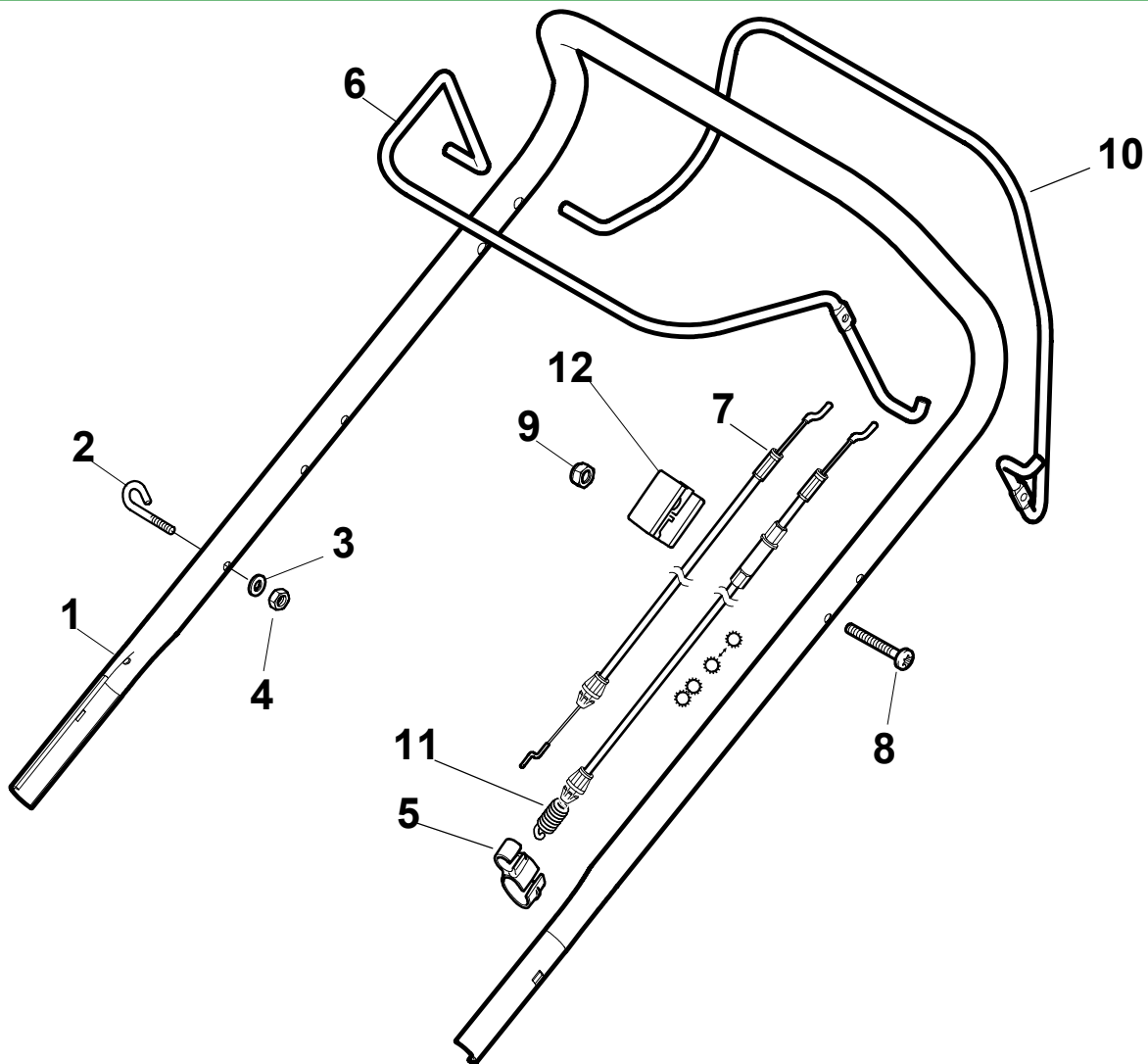
| N. | CODE        | Q.TY | DESCRIZIONE              | DESCRIPTION               | DESCRIPTION             | BESCHREIBUNG            | REMARK |
|----|-------------|------|--------------------------|---------------------------|-------------------------|-------------------------|--------|
| 1  | 322545189/0 | 2    | Piastrina                | Plate                     | Plaquette               | Plättchen               |        |
| 2  | 322735597/0 | 1    | Settore Di Regolazione   | Sector, Height Adjustment | Secteur Reglage         | Sektor, Höheverstellung |        |
| 3  | 381005141/0 | 2    | Supporto Ruota           | Support, Wheel            | Support Roue            | Halter, Rad             |        |
| 4  | 381003354/0 | 2    | Leva Regolazione Altezza | Lever, Height Adjustment  | Levier, Reglage Hauteur | Hebel, Höheverstellung  |        |
| 5  | 22519811/0  | 2    | Perno                    | Pin                       | Pivot                   | Bolzen                  |        |
| 6  | 12521350/0  | 2    | Rosetta                  | Washer                    | Rondelle                | Scheibe                 |        |
| 7  | 12155000/0  | 2    | Dado                     | Nut                       | Ecrou                   | Mutter                  |        |
| 9  | 322735595/0 | 1    | Settore Di Regolazione   | Sector, Height Adjustment | Secteur Reglage         | Sektor, Höheverstellung |        |
| 11 | 112728698/0 | 4    | Vite                     | Screw                     | Vis                     | Schraube                |        |
| 12 | 22545152/0  | 2    | Piastrina                | Plate                     | Plaquette               | Platte                  |        |
| 13 | 381302819/0 | 1    | Asse Ruote Posteriori    | Axle, Rear Wheels         | Axe Roues Arriere       | Achse, Hinterrad        |        |
| 14 | 122534131/0 | 1    | Perno                    | Pin                       | Pivot                   | Bolzen                  |        |
| 15 | 381003356/0 | 1    | Leva Regolazione Altezza | Lever, Height Adjustment  | Levier, Reglage Hauteur | Hebel, Höheverstellung  |        |
| 16 | 122446192/0 | 1    | Molla                    | Spring                    | Ressort                 | Feder                   |        |
| 17 | 12154510/0  | 1    | Dado                     | Nut                       | Ecrou                   | Mutter                  |        |
| 18 | 322600204/0 | 2    | Prot. Ruote              | Wheel Protection          | Protection Roue         | Schütz, Rechtes         |        |
| 21 | 12521350/0  | 2    | Rosetta                  | Washer                    | Rondelle                | Scheibe                 |        |
| 22 | 12155000/0  | 2    | Dado                     | Nut                       | Ecrou                   | Mutter                  |        |



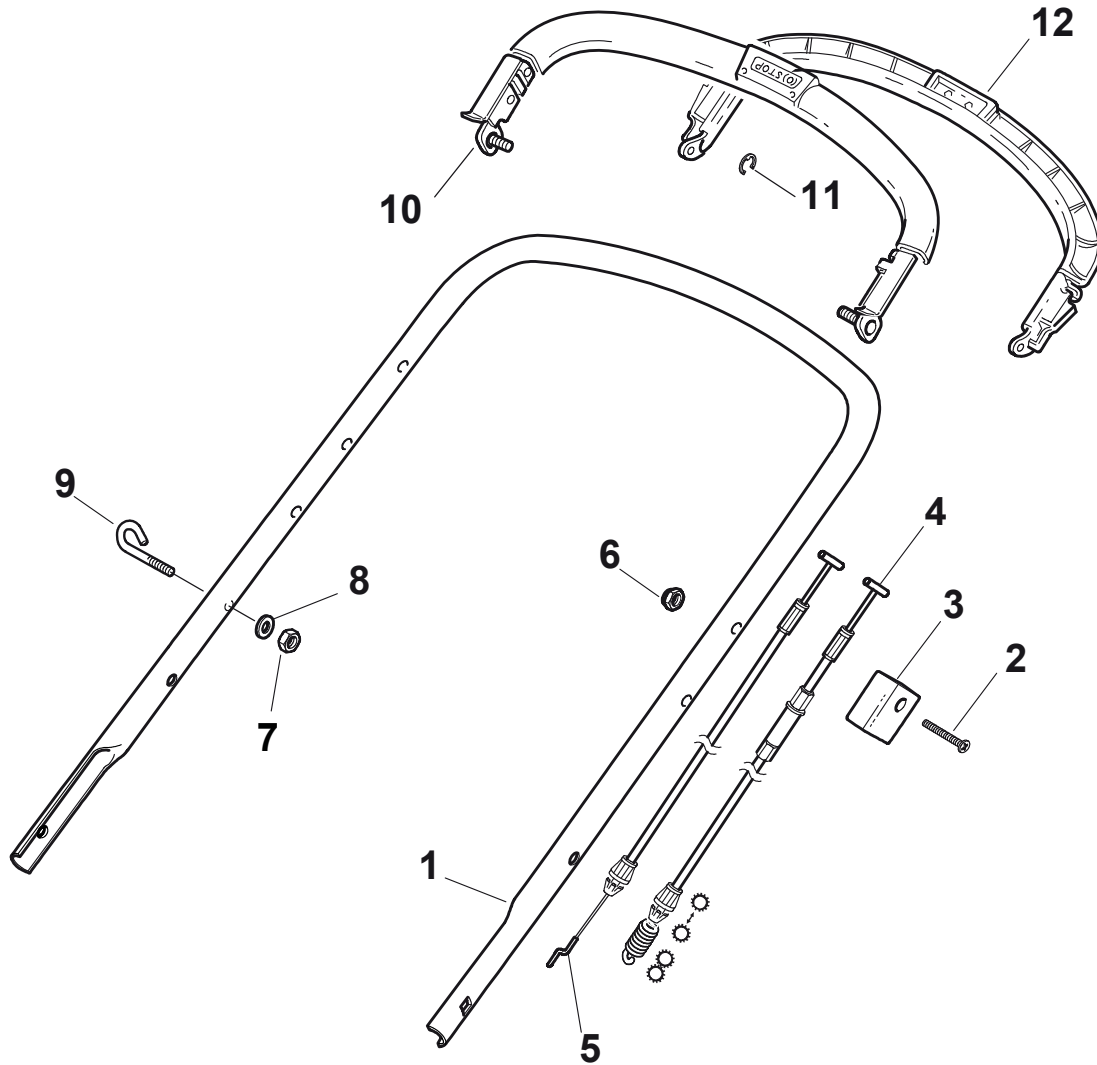
| N. | CODE        | Q.TY | DESCRIZIONE       | DESCRIPTION        | DESCRIPTION                  | BESCHREIBUNG       | REMARK |
|----|-------------|------|-------------------|--------------------|------------------------------|--------------------|--------|
| 1  | 381006737/0 | 1    | Manico, Parte Inf | Handle, Lower Part | Mancheron, Partie Inferieure | Holm, Unterteil    |        |
| 2  | 12819120/0  | 2    | Vite              | Screw              | Vis                          | Schraube           |        |
| 3  | 22680006/1  | 2    | Rosetta           | Washer             | Rondelle                     | Scheibe            |        |
| 4  | 22399900/0  | 2    | Manopolina        | Knob               | Poignée                      | Griff              |        |
| 5  | 12293200/0  | 2    | Dado              | Nut                | Ecrou                        | Mutter             |        |
| 7  | 12818900/0  | 2    | Vite              | Screw              | Vis                          | Schraube           |        |
| 9  | 22399900/0  | 2    | Manopolina        | Knob               | Poignée                      | Griff              |        |
| 10 | 12293200/0  | 2    | Dado              | Nut                | Ecrou                        | Mutter             |        |
| 11 | 12155000/0  | 2    | Dado              | Nut                | Ecrou                        | Mutter             |        |
| 12 | 12521350/0  | 2    | Rosetta           | Washer             | Rondelle                     | Scheibe            |        |
| 13 | 12369500/0  | 2    | Rosetta Elastica  | Elastic Washer     | Rondelle Elastique           | Elastische Scheibe |        |
| 14 | 12760605/0  | 2    | Vite              | Screw              | Vis                          | Schraube           |        |
| 15 | 381008691/0 | 1    | Dotazione Viteria | Outfit, Screws     | Dotation Visserie            | Satz, Schrauben    |        |



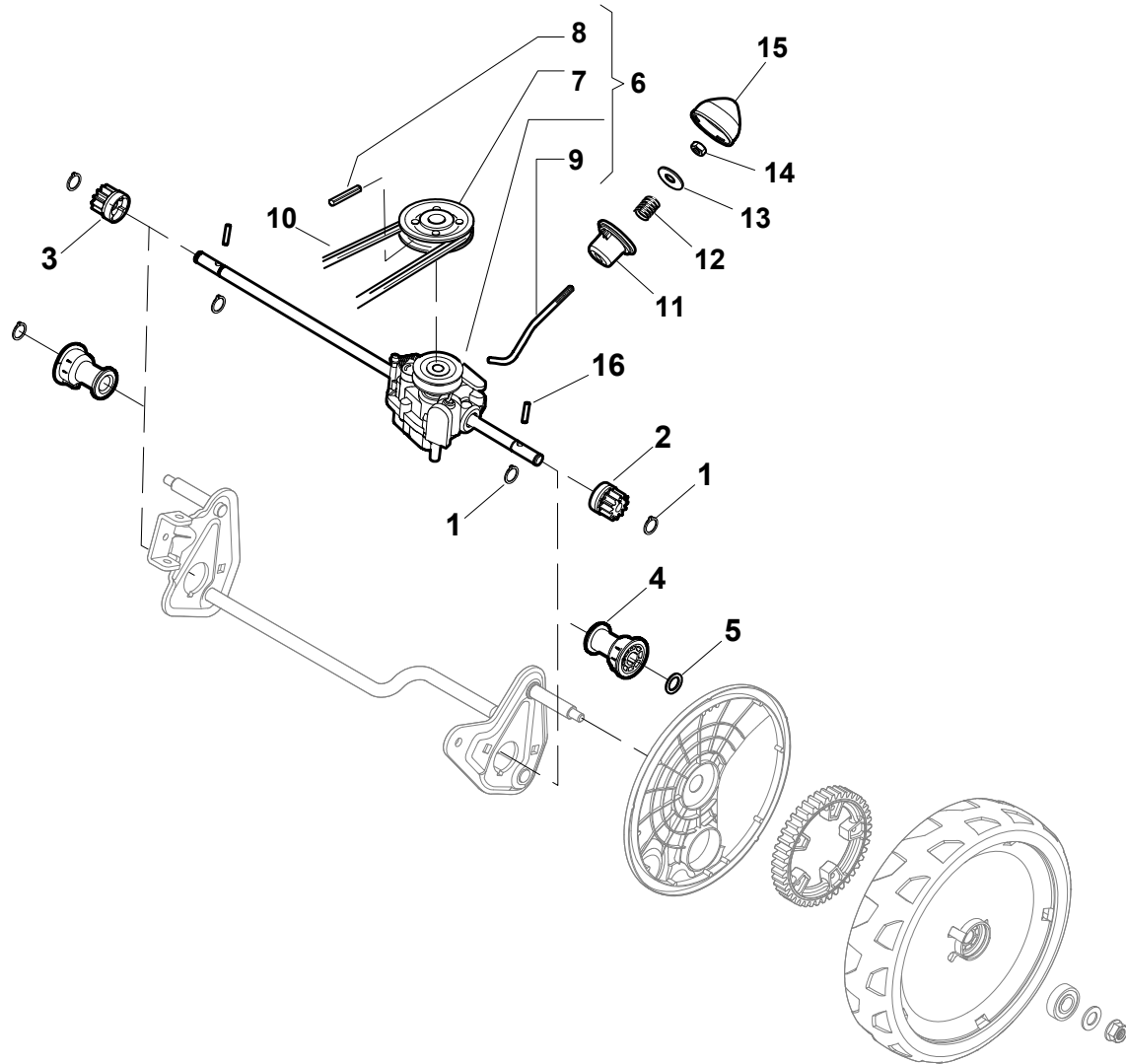
| N. | CODE        | Q.TY | DESCRIZIONE                                  | DESCRIPTION                             | DESCRIPTION                                      | BESCHREIBUNG                     | REMARK      |
|----|-------------|------|--|---|--|----------------------------------|-------------|
| 1  | 381006739/0 | 1    | Manico, Parte Sup                            | Handle, Upper Part                      | Mancheron, Partie Superieure                     | Holm, Oberteil                   |             |
| 1  | 381006745/0 | 1    | Manico, Parte Sup. con impugantura in spugna | Handle, Upper Part with sponge handgrip | Mancheron, Partie Superieure avec éponge poignée | Holm, Oberteil Handgriff Schwamm |             |
| 2  | 22430313/0  | 1    | Molla Guida                                  | Guide Spring                            | Ressort De Guide                                 | Feder Führer                     |             |
| 3  | 12521330/0  | 1    | Rosetta                                      | Washer                                  | Rondelle   | Scheibe                          |             |
| 4  | 12154510/0  | 1    | Dado   | Nut                                     | Ecrou  | Mutter                           |             |
| 5  | 118390020/0 | 1    | Fermacavo                                    | Fairlead                                | Fixation Cable                                   | Kabelbefestigung                 |             |
| 6  | 181003363/1 | 1    | Leva Freno Motore                            | Lever, Engine Brake                     | Levier Frein Moteur                              | Hebel, Motorbremse               | Black       |
| 6  | 381003365/0 | 1    | Leva Freno Motore                            | Lever, Engine Brake                     | Levier Frein Moteur                              | Hebel, Motorbremse               | Yellow      |
| 6  | 381003376/0 | 1    | Leva Freno Motore                            | Lever, Engine Brake                     | Levier Frein Moteur                              | Hebel, Motorbremse               | Red         |
| 7  | 181030054/0 | 1    | Cavo Freno Motore                            | Cable, Thread Engine Brake              | Cable Frein Moteur                               | Kabel, Motorbremse               | GGP         |
| 7  | 181030056/0 | 1    | Cavo Freno Motore                            | Cable, Thread Engine Brake              | Cable Frein Moteur                               | Kabel, Motorbremse               | B&S         |
| 7  | 181030056/0 | 1    | Cavo Freno Motore                            | Cable, Thread Engine Brake              | Cable Frein Moteur                               | Kabel, Motorbremse               | GGP         |
| 7  | 181030069/0 | 1    | Cavo Freno Motore                            | Cable, Thread Eng. Brake                | Cable Frein Moteur                               | Kabel, Motorbremse               | HONDA       |
| 8  | 12727783/0  | 1    | Vite   | Screw                                   | Vis  | Schraube                         |             |
| 9  | 12154510/0  | 1    | Dado   | Nut                                     | Ecrou  | Mutter                           |             |
| 10 | 181003364/0 | 1    | Leva Trazione                                | Lever, Driving                          | Levier Traction                                  | Hebel, Antrieb                   | Black       |
| 10 | 381003366/0 | 1    | Leva Trazione                                | Lever, Driving                          | Levier Traction                                  | Hebel, Antrieb                   | Yellow      |
| 10 | 381003377/0 | 1    | Leva Trazione                                | Lever, Driving                          | Levier Traction                                  | Hebel, Antrieb                   | Red         |
| 11 | 381030051/0 | 1    | Cavo Comando Trazione                        | Cable, Rear Drive                       | Câble, Commande Traction                         | Kabel, Antrieb                   |             |
| 12 | 181005504/1 | 1    | Cavo Acceleratore                            | Throttle Cable                          | Cable, Accelérateur                              | Gashebel Kabel                   | (GGP 150cc) |
| 12 | 181005511/0 | 1    | Cavo Acceleratore                            | Throttle Cable                          | Cable, Accelérateur                              | Gashebel Kabel                   | B&S         |
| 12 | 181005517/0 | 1    | Cavo Acceleratore                            | Throttle Cable                          | Cable, Accelérateur                              | Gashebel Kabel                   | HONDA       |
| 12 | 181005517/0 | 1    | Cavo Acceleratore                            | Throttle Cable                          | Cable, Accelérateur                              | Gashebel Kabel                   | GGP         |



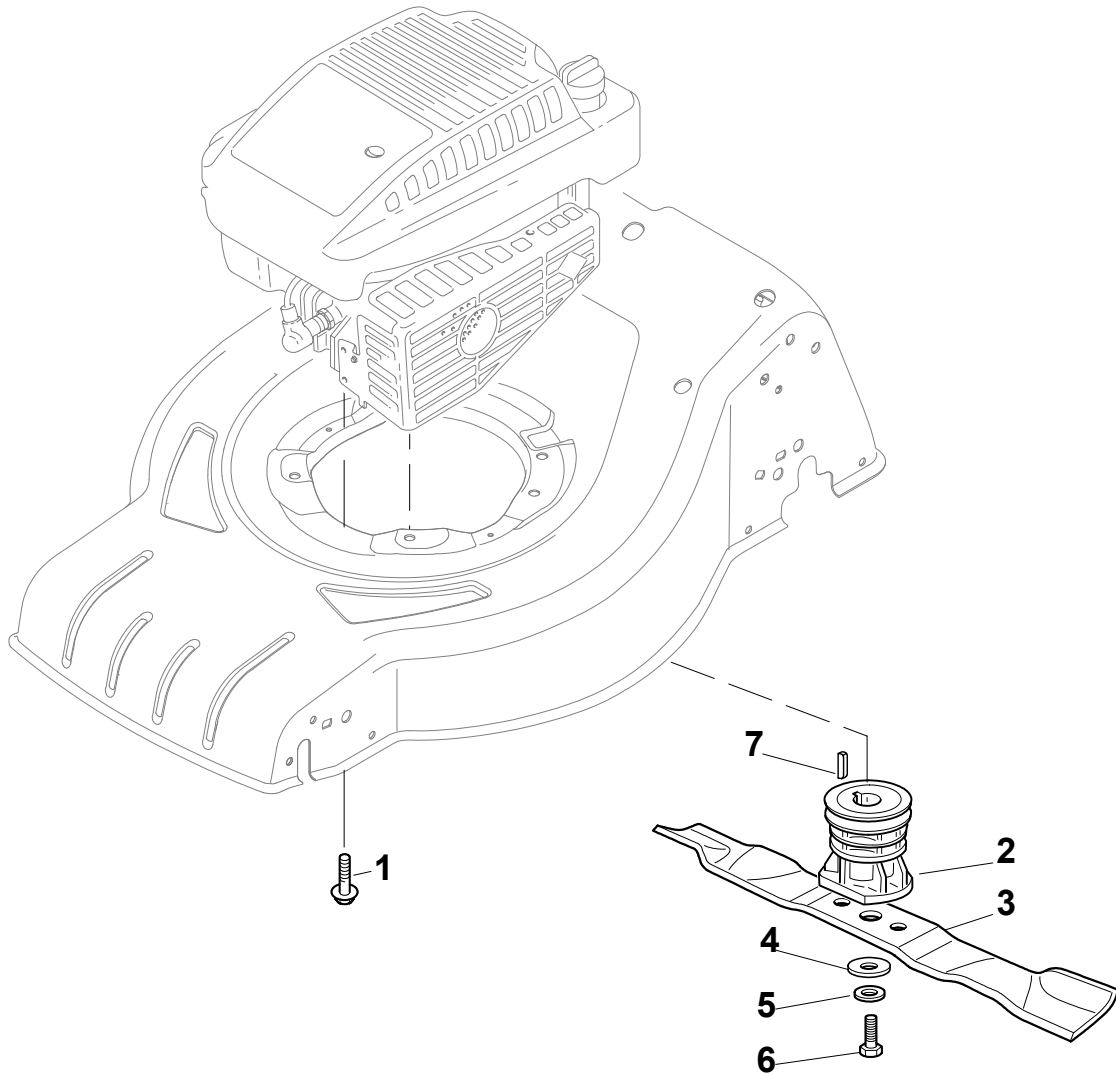
| N. | CODE        | Q.TY | DESCRIZIONE                                  | DESCRIPTION                             | DESCRIPTION                                      | BESCHREIBUNG                     | REMARK |
|----|-------------|------|--|---|--|----------------------------------|--------|
| 1  | 381006739/0 | 1    | Manico, Parte Sup                            | Handle, Upper Part                      | Mancheron, Partie Superieure                     | Holm, Oberteil                   |        |
| 1  | 381006745/0 | 1    | Manico, Parte Sup. con impugantura in spugna | Handle, Upper Part with sponge handgrip | Mancheron, Partie Superieure avec éponge poignée | Holm, Oberteil Handgriff Schwamm |        |
| 2  | 22430313/0  | 1    | Molla Guida                                  | Guide Spring                            | Ressort De Guide                                 | Feder Führer                     |        |
| 3  | 12521330/0  | 1    | Rosetta                                      | Washer                                  | Rondelle   | Scheibe                          |        |
| 4  | 12154510/0  | 1    | Dado   | Nut                                     | Ecrou  | Mutter                           |        |
| 5  | 118390020/0 | 1    | Fermacavo                                    | Fairlead                                | Fixation Cable                                   | Kabelbefestigung                 |        |
| 6  | 181003363/1 | 1    | Leva Freno Motore                            | Lever, Engine Brake                     | Levier Frein Moteur                              | Hebel, Motorbremse               | Black  |
| 6  | 381003365/0 | 1    | Leva Freno Motore                            | Lever, Engine Brake                     | Levier Frein Moteur                              | Hebel, Motorbremse               | Yellow |
| 6  | 381003376/0 | 1    | Leva Freno Motore                            | Lever, Engine Brake                     | Levier Frein Moteur                              | Hebel, Motorbremse               | Red    |
| 7  | 181030054/0 | 1    | Cavo Freno Motore                            | Cable, Thread Engine Brake              | Cable Frein Moteur                               | Kabel, Motorbremse               | GGP    |
| 7  | 181030056/0 | 1    | Cavo Freno Motore                            | Cable, Thread Engine Brake              | Cable Frein Moteur                               | Kabel, Motorbremse               | B&S    |
| 7  | 181030056/0 | 1    | Cavo Freno Motore                            | Cable, Thread Engine Brake              | Cable Frein Moteur                               | Kabel, Motorbremse               | GGP    |
| 7  | 181030069/0 | 1    | Cavo Freno Motore                            | Cable, Thread Eng. Brake                | Cable Frein Moteur                               | Kabel, Motorbremse               | HONDA  |
| 8  | 12727783/0  | 1    | Vite   | Screw                                   | Vis  | Schraube                         |        |
| 9  | 12154510/0  | 1    | Dado   | Nut                                     | Ecrou  | Mutter                           |        |
| 10 | 181003364/0 | 1    | Leva Trazione                                | Lever, Driving                          | Levier Traction                                  | Hebel, Antrieb                   | Black  |
| 10 | 381003366/0 | 1    | Leva Trazione                                | Lever, Driving                          | Levier Traction                                  | Hebel, Antrieb                   | Yellow |
| 10 | 381003377/0 | 1    | Leva Trazione                                | Lever, Driving                          | Levier Traction                                  | Hebel, Antrieb                   | Red    |
| 11 | 381030051/0 | 1    | Cavo Comando Trazione                        | Cable, Rear Drive                       | Câble, Commande Traction                         | Kabel, Antrieb                   |        |
| 12 | 22551640/0  | 1    | Piastrina                                    | Plate                                   | Plaquette  | Plättchen                        |        |



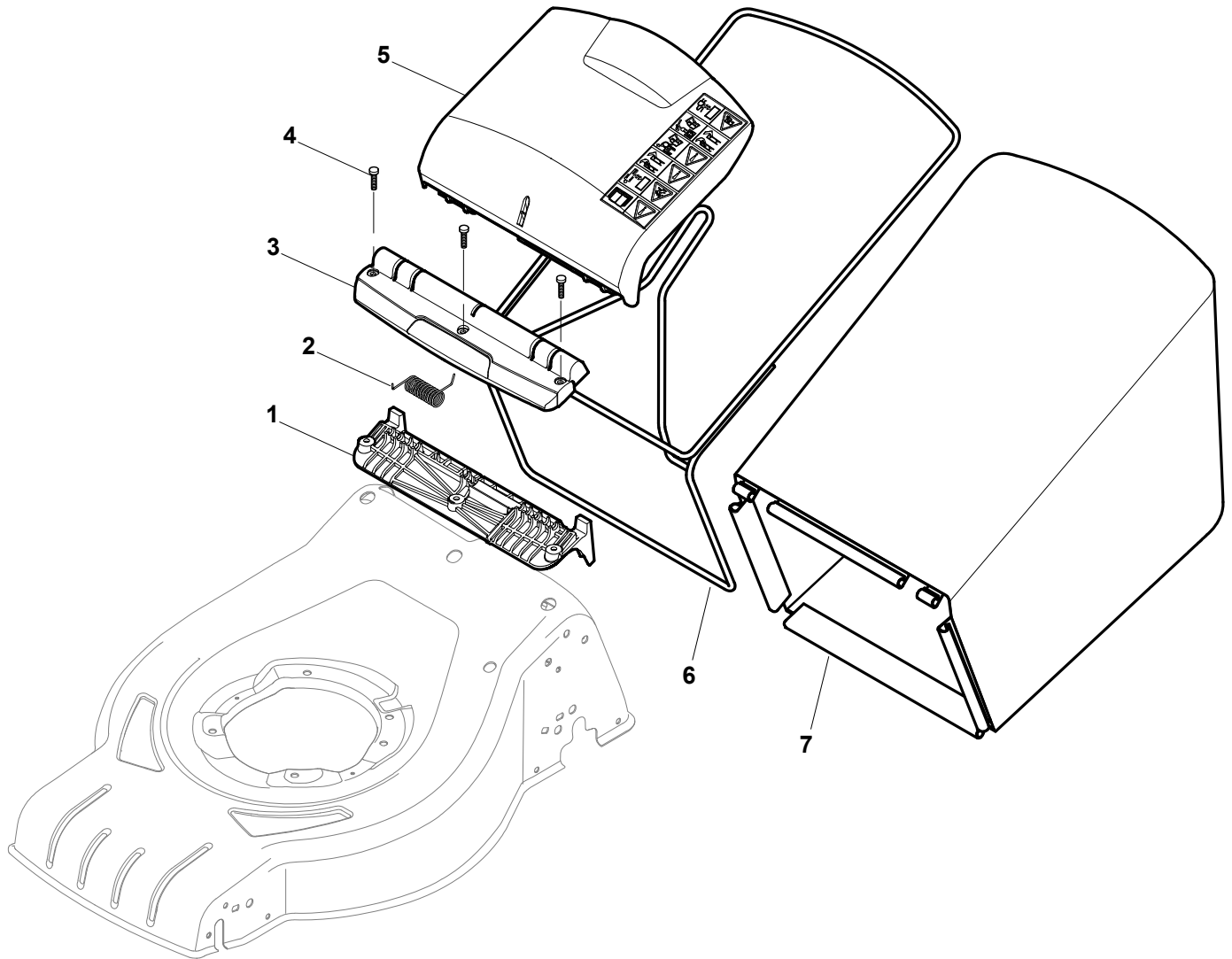
| N. | CODE        | Q.TY | DESCRIZIONE           | DESCRIPTION                | DESCRIPTION                  | BESCHREIBUNG       | REMARK      |
|----|-------------|------|-----------------------|----------------------------|------------------------------|--------------------|-------------|
| 1  | 381006740/0 | 1    | Manico, Parte Sup     | Handle, Upper Part         | Mancheron, Partie Superieure | Holm, Oberteil     |             |
| 2  | 12727787/0  | 1    | Vite                  | Screw                      | Vis                          | Schraube           |             |
| 3  | 22551640/0  | 1    | Piastrina             | Plate                      | Plaquette                    | Plättchen          |             |
| 4  | 381030085/0 | 1    | Cavo Comando Trazione | Cable, Rear Drive          | Câble, Comm. Traction        | Kabel, Antrieb     |             |
| 5  | 181030054/0 | 1    | Cavo Freno Motore     | Cable, Thread Engine Brake | Cable Frein Moteur           | Kabel, Motorbremse |             |
| 5  | 181030056/0 | 1    | Cavo Freno Motore     | Cable, Thread Engine Brake | Cable Frein Moteur           | Kabel, Motorbremse | (GGP 150cc) |
| 5  | 181030057/0 | 1    | Cavo Freno Motore     | Cable, Thread Engine Brake | Cable Frein Moteur           | Kabel, Motorbremse |             |
| 6  | 12154510/0  | 1    | Dado                  | Nut                        | Ecrou                        | Mutter             |             |
| 7  | 12154510/0  | 1    | Dado                  | Nut                        | Ecrou                        | Mutter             |             |
| 8  | 12521330/0  | 1    | Rosetta               | Washer                     | Rondelle                     | Scheibe            |             |
| 9  | 22430313/0  | 1    | Molla Guida           | Guide Spring               | Ressort De Guide             | Feder Führer       |             |
| 10 | 181003369/0 | 1    | Leva Freno Motore     | Lever, Engine Brake        | Levier Frein Moteur          | Hebel, Motorbremse |             |
| 11 | 181003371/0 | 1    | Leva Trazione         | Driving Lever              | Levier Traction              | Antriebhebel       |             |
| 12 | 12000930/0  | 1    | Anello Elastico       | Snap Ring                  | Anneau Ressort               | Sprengring         |             |



| N. | CODE        | Q.TY | DESCRIZIONE      | DESCRIPTION    | DESCRIPTION     | BESCHREIBUNG      | REMARK |
|----|-------------|------|------------------|----------------|-----------------|-------------------|--------|
| 1  | 12608600/0  | 4    | Seeger           | Seeger         | Seeger          | Seeger            |        |
| 2  | 22570120/1  | 1    | Pignone Sx       | Pinion L       | Pignon G        | Ritzel Linkes     |        |
| 3  | 22570110/1  | 1    | Pignone Dx       | Pinion R       | Pignon D        | Ritzel Rechtes    |        |
| 4  | 322042066/0 | 2    | Bussola          | Bush           | Douille         | Buchse            |        |
| 5  | 112521371/0 | 2    | Rosetta          | Washer         | Rondelle        | Scheibe           |        |
| 6  | 81003092/0  | 1    | Gruppo Trazione  | Gear Box       | Groupe Traction | Antrieb           |        |
| 7  | 22601904/0  | 1    | Puleggia         | Pulley         | Poulie          | Riemenscheibe     |        |
| 8  | 12645700/0  | 1    | Spina            | Pin            | Goupille        | Stift             |        |
| 9  | 22033283/0  | 1    | Asta Regolazione | Adjustment Rod | Tige Reglage    | Verstellungstange |        |
| 10 | 35063800/0  | 1    | Cinghia Z 27     | Belt Z 27      | Courroie Z 27   | Riemen Z 27       |        |
| 11 | 22041957/1  | 1    | Bussola          | Bush           | Douille         | Buchse            |        |
| 12 | 22450063/0  | 1    | Molla            | Spring         | Ressort         | Feder             |        |
| 13 | 22680009/0  | 1    | Rosetta          | Washer         | Rondelle        | Scheibe           |        |
| 14 | 12154510/0  | 1    | Dado             | Nut            | Ecrou           | Mutter            |        |
| 15 | 22110230/0  | 1    | Tappo            | Cap            | Bouchon         | Gummistopfen      |        |
| 16 | 22753000/0  | 2    | Spina            | Pin            | Goupille        | Stift             |        |

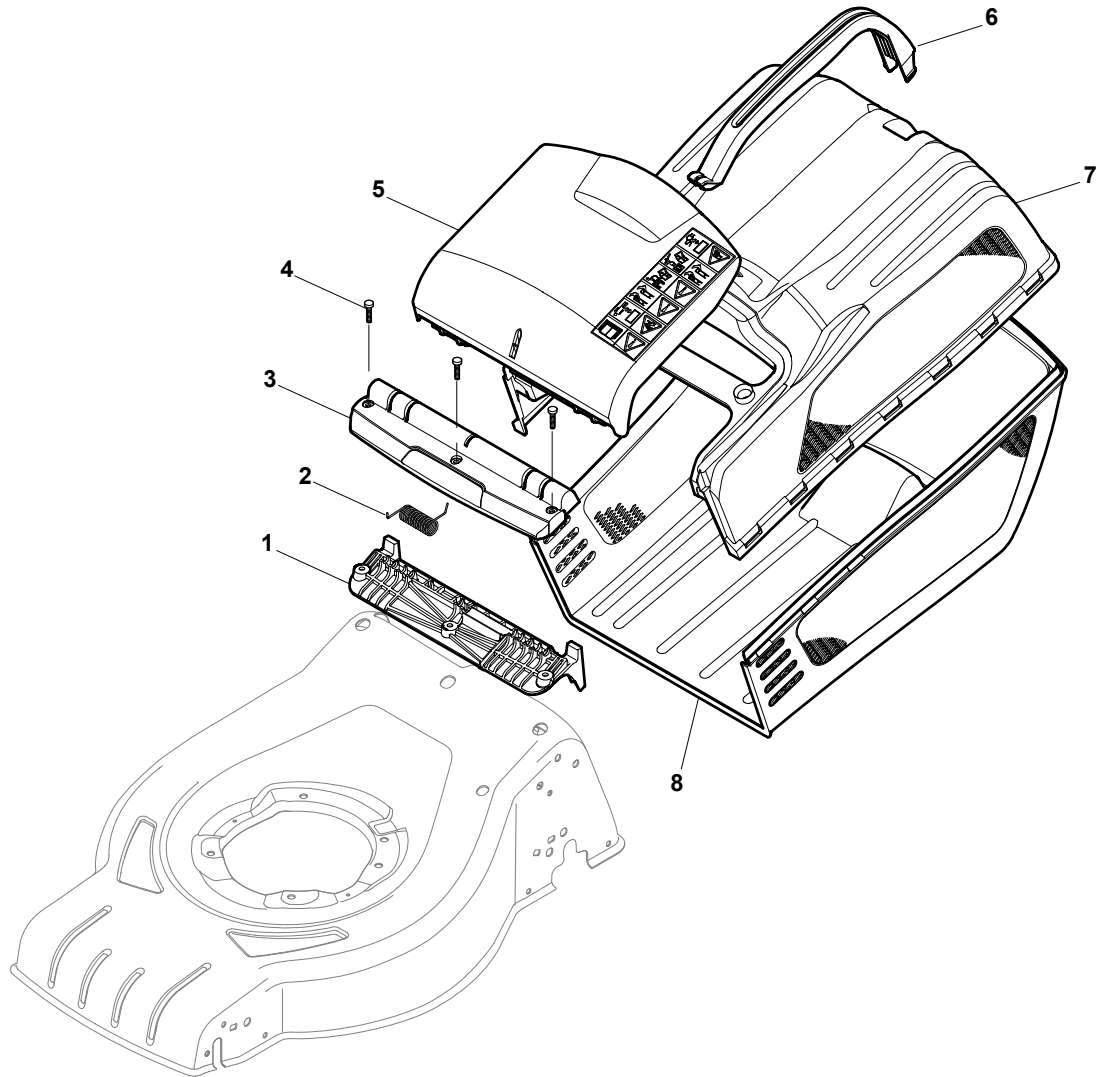


| N. | CODE        | Q.TY | DESCRIZIONE                     | DESCRIPTION                | DESCRIPTION                   | BESCHREIBUNG              | REMARK  |
|----|-------------|------|---------------------------------|----------------------------|-------------------------------|---------------------------|---------|
| 1  | 112735108/1 | 2    | Vite                            | Screw                      | Vis                           | Schraube                  |         |
| 1  | 112735108/1 | 3    | Vite                            | Screw                      | Vis                           | Schraube                  |         |
| 1  | 112735109/1 | 1    | Vite                            | Screw                      | Vis                           | Schraube                  |         |
| 2  | 122465607/3 | 1    | Mozzo, Albero Motore Ø 22.2     | Hub, Crankshaft Ø 22.2     | Moyeu, Arbre Moteur Ø 22.2    | Halter, Motorwelle Ø 22.2 | B&S-GGP |
| 2  | 122465608/2 | 1    | Mozzo, Albero Motore Ø 25       | Hub, Crankshaft Ø 25       | Moyeu, Arbre Moteur Ø 25      | Halter, Motorwelle Ø 25   | HONDA   |
| 3  | 81004346/3  | 1    | Coltello Standard               | Blade Standard             | Lame Standard                 | Messer Standard           | 484     |
| 4  | 22160400/0  | 1    | Disco Elastico                  | Elastic Washer             | Rondelle Elastique            | Elastischescheibe         |         |
| 5  | 12523080/0  | 1    | Rosetta                         | Washer                     | Rondelle                      | Scheibe                   |         |
| 6  | 12735698/0  | 1    | Vite                            | Screw                      | Vis                           | Schraube                  |         |
| 7  | 12139100/0  | 1    | Linguetta, Albero Motore Ø 22.2 | Feather, Crankshaft Ø 22.2 | Clavette, Arbre Moteur Ø 22.2 | Keil, Motorwelle Ø 22.2   | B&S-GGP |
| 7  | 12139150/0  | 1    | Linguetta, Albero Motore Ø 25   | Feather, Crankshaft Ø 25   | Clavette, Arbre Moteur Ø 25   | Keil, Motorwelle Ø 25     | HONDA   |

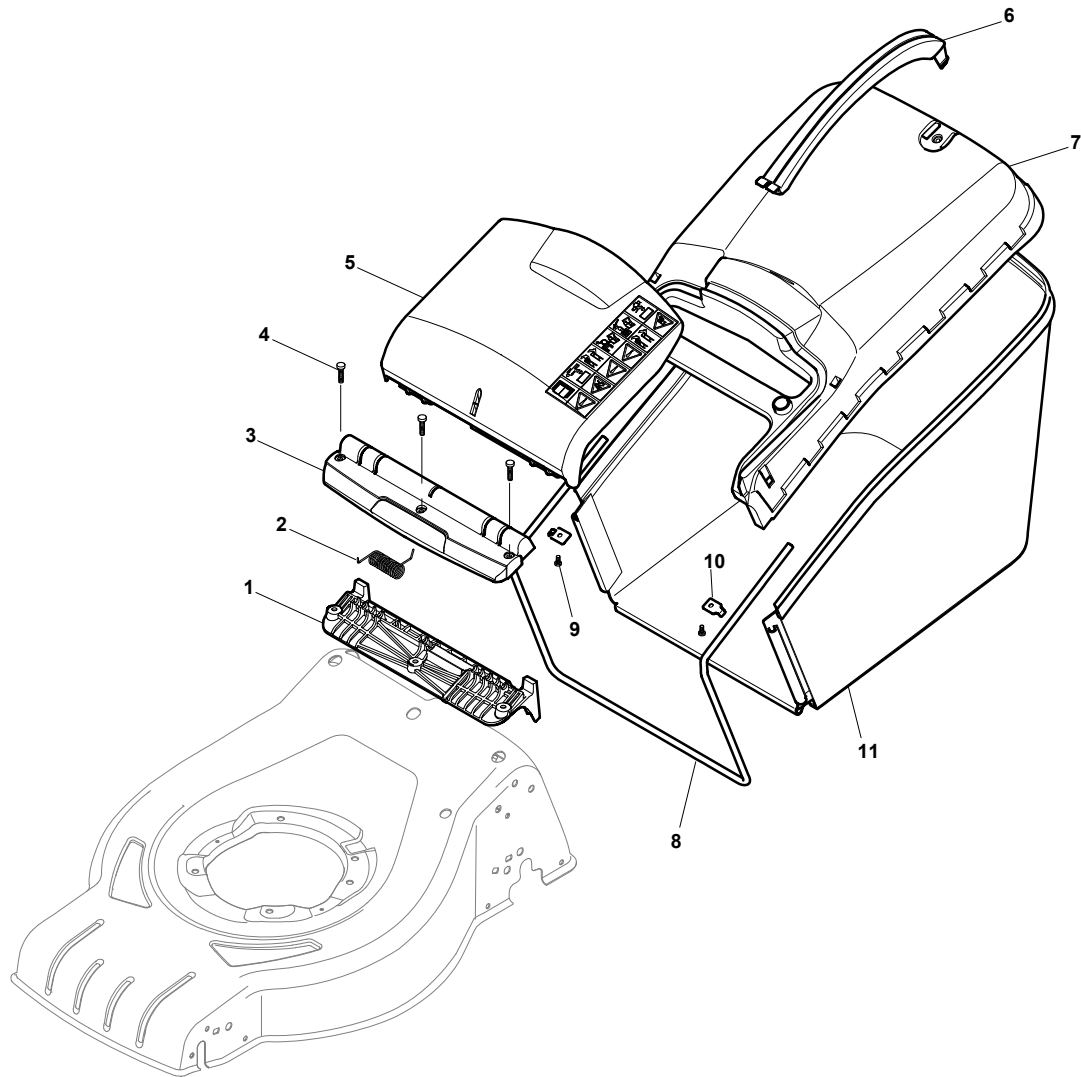


| N. | CODE        | Q.TY | DESCRIZIONE  | DESCRIPTION | DESCRIPTION  | BESCHREIBUNG | REMARK |
|----|-------------|------|--------------|-------------|--------------|--------------|--------|
| 1  | 322785331/0 | 1    | Supporto     | Support     | Support      | Halter       |        |
| 2  | 122450464/0 | 1    | Molla        | Spring      | Ressort      | Feder        |        |
| 3  | 322109556/0 | 1    | Copertura    | Cover       | Couvre       | Kappe        | Yellow |
| 3  | 322109557/0 | 1    | Copertura    | Cover       | Couvre       | Kappe        | Grey   |
| 4  | 112728699/0 | 3    | Vite         | Screw       | Vis          | Schraube     |        |
| 5  | 322600214/0 | 1    | Parasassi    | Stone-Guard | Pare-Pierres | Prallblech   | Yellow |
| 5  | 322600216/0 | 1    | Parasassi    | Stone-Guard | Pare-Pierres | Prallblech   | Grey   |
| 6  | 181006409/0 | 1    | Telaio Sacco | Chassis Box | Châssis Bac  | Rahmen Sack  |        |
| 7  | 181002319/0 | 1    | Sacco, Tela  | Box, Fabric | Sac, Toile   | Sack, Tuck   |        |





| N. | CODE        | Q.TY | DESCRIZIONE        | DESCRIPTION         | DESCRIPTION            | BESCHREIBUNG   | REMARK |
|----|-------------|------|--------------------|---------------------|------------------------|----------------|--------|
| 1  | 322785331/0 | 1    | Supporto           | Support             | Support                | Halter         |        |
| 2  | 122450464/0 | 1    | Molla              | Spring              | Ressort                | Feder          |        |
| 3  | 322109556/0 | 1    | Copertura          | Cover               | Couvre                 | Kappe          | Yellow |
| 3  | 322109557/0 | 1    | Copertura          | Cover               | Couvre                 | Kappe          | Grey   |
| 4  | 112728699/0 | 3    | Vite               | Screw               | Vis                    | Schraube       |        |
| 5  | 322600214/0 | 1    | Parasassi          | Stone-Guard         | Pare-Pierres           | Prallblech     | Yellow |
| 5  | 322600216/0 | 1    | Parasassi          | Stone-Guard         | Pare-Pierres           | Prallblech     | Grey   |
| 6  | 322393645/0 | 1    | Maniglia           | Handle              | Poignée                | Griff          |        |
| 7  | 322486263/0 | 1    | Parte Sup.Sacco    | Grassbox Upper Part | Sac, Partie Superieure | Korb Oberteil  |        |
| 8  | 322486267/0 | 1    | Parte Infer. Sacco | Grassbox Lower Part | Sac, Partie Inferieure | Korb Unterteil |        |



| N. | CODE        | Q.TY | DESCRIZIONE     | DESCRIPTION         | DESCRIPTION            | BESCHREIBUNG  | REMARK |
|----|-------------|------|-----------------|---------------------|------------------------|---------------|--------|
| 1  | 322785331/0 | 1    | Supporto        | Support             | Support                | Halter        |        |
| 2  | 122450464/0 | 1    | Molla           | Spring              | Ressort                | Feder         |        |
| 3  | 322109556/0 | 1    | Copertura       | Cover               | Couvre                 | Kappe         | Yellow |
| 3  | 322109557/0 | 1    | Copertura       | Cover               | Couvre                 | Kappe         | Grey   |
| 4  | 112728699/0 | 3    | Vite            | Screw               | Vis                    | Schraube      |        |
| 5  | 322600214/0 | 1    | Parasassi       | Stone-Guard         | Pare-Pierres           | Prallblech    | Yellow |
| 5  | 322600216/0 | 1    | Parasassi       | Stone-Guard         | Pare-Pierres           | Prallblech    | Grey   |
| 6  | 322393646/0 | 1    | Maniglia        | Handle              | Poignée                | Griff         |        |
| 6  | 322393649/0 | 1    | Maniglia        | Handle              | Poignée                | Griff         |        |
| 7  | 322486264/0 | 1    | Parte Sup.Sacco | Grassbox Upper Part | Sac, Partie Superieure | Korb Oberteil |        |
| 7  | 322486270/0 | 1    | Parte Sup.Sacco | Grassbox Upper Part | Sac, Partie Superieure | Korb Oberteil |        |
| 8  | 122608561/0 | 1    | Rinforzo Inf    | Stiffening Lower    | Réinforcement Inf      | Verstärkung   |        |
| 9  | 322545159/0 | 2    | Piastrina       | Plate               | Plaquette              | Plättchen     |        |
| 10 | 12728692/0  | 2    | Vite            | Screw               | Vis                    | Schraube      |        |
| 11 | 181002318/0 | 1    | Sacco, Tela     | Box, Fabric         | Sac, Toile             | Sack, Tuck    |        |