

Genuine Spare Parts

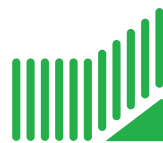
Catalogo delle parti di ricambio
Spare parts catalogue
Catalogue des pieces de rechange
Ersatzteilkatalog

2010

- Use GLOBAL GARDEN PRODUCT Genuine Spare Parts specified in the parts list for repair and/or replacement.
- The contents described in the parts list may change due to improvement.
- The drawings of the spare parts are only indicative and might not represent the part in question exactly.
- The indications "right" - "left" - "front" - "rear" refer to the position of the operator when using the machine.
- When placing orders of parts for repair and/or replacement, make sure that the illustrated parts list is the one applying to the machine's year of manufacture, as shown on the identification plate attached to the machine.

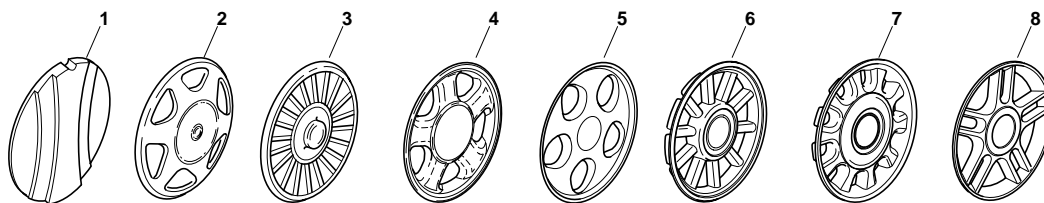
COPYRIGHT by GLOBAL GARDEN PRODUCTS

All rights reserved. No part of this material may be reproduced or transmitted, in any form or by any means, electronic or mechanical, including photocopying, recording or by any information storage and retrieval system, without permission in writing from GLOBAL GARDEN PRODUCTS.



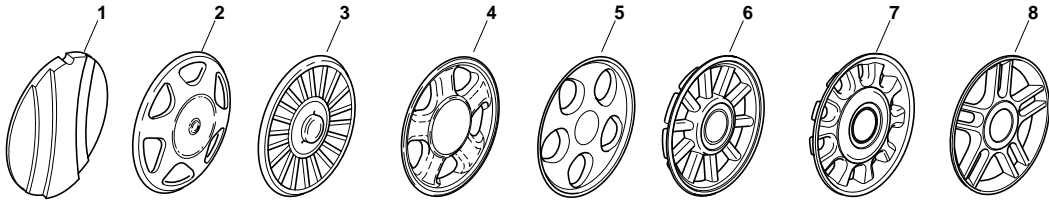
GLOBAL GARDEN PRODUCTS

ENCLOSURE 1



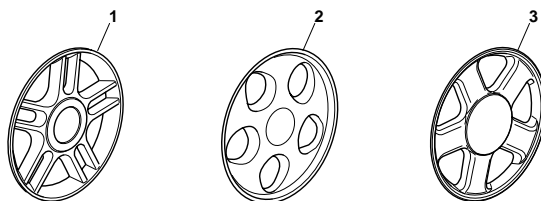
POS.	CODE	Q.TY	DESCRIZIONE	DESCRIPTION	DESCRIPTION	BESCHREIBUNG	REMARKS
1	22110252/1		Coprimozzo Bianco	Hub Cap White	Couvre-Moyeu	Radkappe Weiße	
1	22110254/1		Coprimozzo Giallo	Hub Cap Yellow	Couvre-Moyeu	Radkappe Gelbe	
1	22110255/1		Coprimozzo Rosso	Hub Cap Red	Couvre-Moyeu	Radkappe Rote	
2	22110344/0		Coprimozzo Bianco	Hub Cap White	Couvre-Moyeu	Radkappe Weiße	
2	22110395/0		Coprimozzo Grigio	Hub Cap Grey	Couvre-Moyeu Gris	Radkappe Grau	
3	22110347/0		Coprimozzo Grigio	Hub Cap Grey	Couvre-Moyeu Gris	Radkappe Grau	
4	22110381/0		Coprimozzo Grigio	Hub Cap Grey	Couvre-Moyeu Gris	Radkappe Grau	
5	22110416/0		Coprimozzo Grigio	Hub Cap Grey	Couvre-Moyeu Gris	Radkappe Grau	
6	22110495/0		Coprimozzo Grigio	Hub Cap Grey	Couvre-Moyeu Gris	Radkappe Grau	
7	22110493/0		Coprimozzo Grigio	Hub Cap Grey	Couvre-Moyeu Gris	Radkappe Grau	
8	22110491/0		Coprimozzo Grigio	Hub Cap Grey	Couvre-Moyeu Gris	Radkappe Grau	

ENCLOSURE 2



POS.	CODE	Q.TY	DESCRIZIONE	DESCRIPTION	DESCRIPTION	BESCHREIBUNG	REMARKS
1	22110251/0		Coprismozzo Bianco	Hub Cap White	Couvre-Moyeu	Radkappe Weiße	
1	22110253/0		Coprismozzo Giallo	Hub Cap Yellow	Couvre-Moyeu	Radkappe Gelbe	
1	22110256/0		Coprismozzo Rosso	Hub Cap Red	Couvre-Moyeu	Radkappe Rote	
2	22110313/0		Coprismozzo Bianco	Hub Cap White	Couvre-Moyeu	Radkappe Weiße	
2	22110314/0		Coprismozzo Grigio	Hub Cap Grey	Couvre-Moyeu Gris	Radkappe Grau	
3	22110348/0		Coprismozzo Grigio	Hub Cap Grey	Couvre-Moyeu Gris	Radkappe Grau	
4	22110382/0		Coprismozzo Grigio	Hub Cap Grey	Couvre-Moyeu Gris	Radkappe Grau	
5	22110417/0		Coprismozzo Grigio	Hub Cap Grey	Couvre-Moyeu Gris	Radkappe Grau	
6	22110496/0		Coprismozzo Grigio	Hub Cap Grey	Couvre-Moyeu Gris	Radkappe Grau	
7	22110494/0		Coprismozzo Grigio	Hub Cap Grey	Couvre-Moyeu Gris	Radkappe Grau	
8	22110492/0		Coprismozzo Grigio	Hub Cap Grey	Couvre-Moyeu Gris	Radkappe Grau	

ENCLOSURE 3



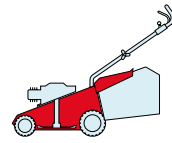
POS.	CODE	Q.TY	DESCRIZIONE	DESCRIPTION	DESCRIPTION	BESCHREIBUNG	REMARKS
1	322110560/0		Coprimezzo Grigio	Hub Cap Grey	Couvre-Moyeu Gris	Radkappe Grau	
2	322110590/0		Coprimezzo Grigio	Hub Cap Grey	Couvre-Moyeu Gris	Radkappe Grau	
3	22110511/0		Coprimezzo Grigio	Hub Cap Grey	Couvre-Moyeu Gris	Radkappe Grau	

CAL 534

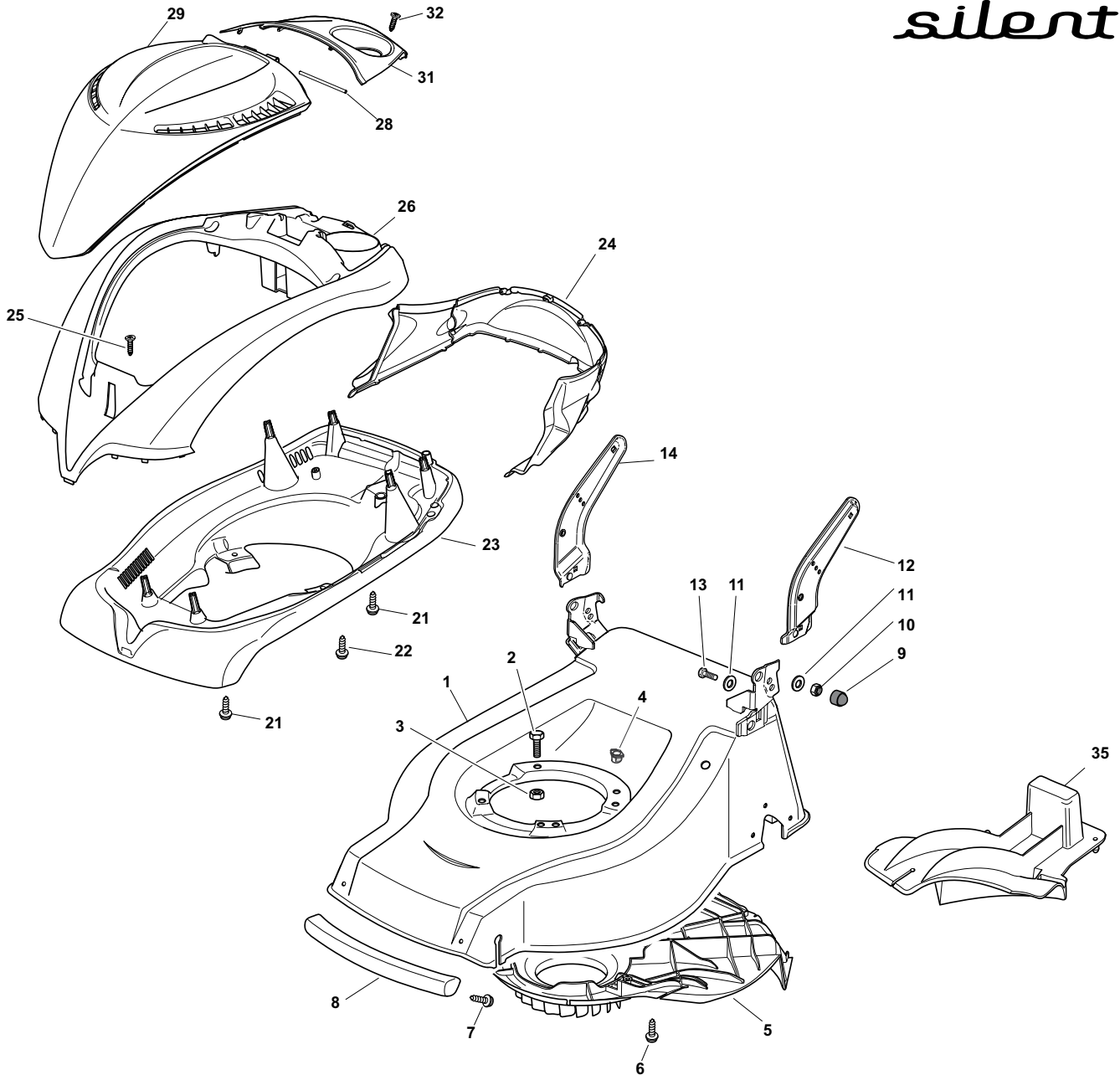
TR SIL

TR 4S SIL

W TR SIL



silent



POS.	CODE	Q.TY	DESCRIZIONE	DESCRIPTION	DESCRIPTION	BESCHREIBUNG	REMARKS
1	381003712/0	1	Chassis Grigio	Deck Grey	Châssis Gris	Gehäuse Grau	
2	12691100/0	3	Vite	Screw	Vis	Schraube	
3	12154510/0	3	Dado	Nut	Ecrou	Mutter	
4	22291150/0	1	Inserto In Gomma	Rubber Insert	Insert De	Gummi Einsatz	
5	322060224/1	1	Carter	Protection	Protection	Schutz	
6	12728460/0	3	Vite	Screw	Vis	Schraube	
7	12735404/0	2	Vite	Screw	Vis	Schraube	
8	322485000/0	1	Protezione Grigio	Grey Protection	Protection Gris	Schutz Grau	
9	18203854/0	2	Cappuccio	Protection	Capuchon	Stecker	
10	12155000/0	2	Dado	Nut	Ecrou	Mutter	
11	22671653/0	4	Rosetta	Washer	Rondelle	Scheibe	

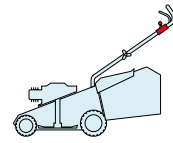
POS.	CODE	Q.TY	DESCRIZIONE	DESCRIPTION	DESCRIPTION	BESCHREIBUNG	REMARKS
12	322778433/0	1	Staffa Sx	Bracket, L	Bride G	Pratze, Linke	
13	12793301/0	2	Vite	Screw	Vis	Schraube	
14	322778431/0	1	Staffa Dx	Bracket, R	Bride D	Pratze, Rechte	
21	12728300/0	4	Vite	Screw	Vis	Schraube	
22	112728696/0	2	Vite	Screw	Vis	Schraube	
23	322109740/0	1	Copertura Inf. Rosso Cast.	Cover, Lower Red Cast.	Couvre, Inferieure Rouge Cast.	Unterkappe, Rot Cast.	Castelgarden
23	322109806/0	1	Copertura Inf. Rosso Mount.	Cover, Lower Red Mount.	Couvre, Inferieure Rouge Mount.	Unterkappe, Rot Mount.	Mountfield
23	322109822/0	1	Copertura Inf. Giallo	Cover, Lower Yellow	Couvre, Inferieure Jaune	Unterkappe, Rot Gelb	Stiga
24	322109739/0	1	Chiusura Post. Grigio	Rear Cover, Grey	Couvercle Arriere, Gris	Deckel Hinter, Grau	
24	322109808/0	1	Chiusura Post. Nero	Rear Cover, Black	Couvercle Arriere, Noir	Deckel Hinter, Schwarz	
25	112728706/0	6	Vite	Screw	Vis	Schraube	
26	322109735/0	1	Copertura Sup. Rosso Cast.	Cover, Upper Red Cast.	Couvre, Sup. Rouge Cast.	Oberteilkappe, Rot Cast.	Castelgarden
26	322109807/0	1	Copertura Sup. Rosso Mount.	Cover, Upper Red Mount.	Couvre, Sup. Rouge Mount.	Oberteilkappe, Rot Mount.	Mountfield
26	322109823/0	1	Copertura Sup. Giallo	Cover, Upper Yellow	Couvre, Sup. Jaune	Oberteilkappe, Rot Gelb	Stiga
28	122517861/0	1	Perno	Pin	Pivot	Bolzen	
29	381119700/0	1	Copertura Sup. Grigio	Cover, Upper Grey	Couvre, Sup. Gris	Oberteilkappe, Rot Grau	
29	381119701/0	1	Copertura Sup. Nero	Cover, Upper Black	Couvre, Sup. Noir	Oberteilkappe, Rot Schwarz	
31	322109738/0	1	Coperchio, Grigio	Cover, Grey	Couvercle, Gris	Deckel, Grau	
31	322109809/0	1	Coperchio, Nero	Cover, Black	Couvercle, Noir	Deckel, Schwarz	
32	112728696/0	2	Vite	Screw	Vis	Schraube	
35	322140234/0	1	Deflettore	Deflector	Deflecteur	Deflektor	

CAL 534

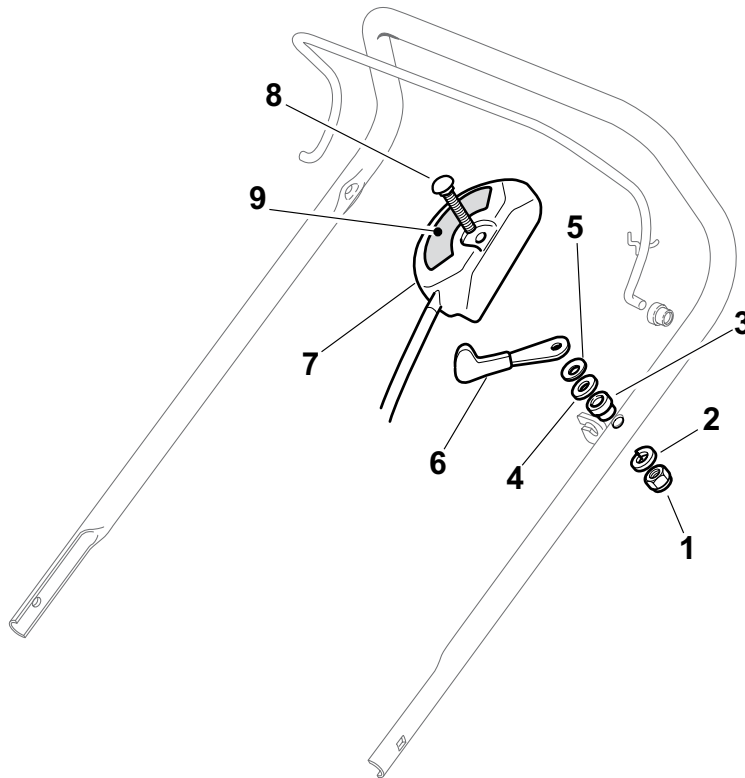
TR SIL

TR 4S SIL

W TR SIL



silent



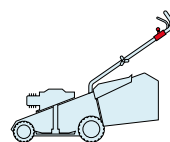
POS.	CODE	Q.TY	DESCRIZIONE	DESCRIPTION	DESCRIPTION	BESCHREIBUNG	REMARKS
1	12291000/0	1	Dado	Nut	Ecrou	Mutter	
2	12581500/0	1	Grower	Grower	Grower	Federring	
3	22171005/0	1	Distanziale	Spacer	Entretoise	Distanzring	
4	12521360/0	1	Rosetta	Washer	Rondelle	Scheibe	
5	12508100/0	1	Rosetta Elastica	Spring Washer	Rondelle Elastique	Elastische Scheibe	
6	81007279/1	1	Leva, Acceleratore	Lever, Throttle	Levier, Accelérateur	Hebel, Beschleuniger	
7	81007080/0	1	Cavo Acceleratore	Throttle Cable	Cable, Accelérateur	Gashebel Kabel	
8	12815000/0	1	Vite	Screw	Vis	Schraube	
9	14356702/0	1	Etichetta	Label	Etiquette	Etikette	

CAL 534

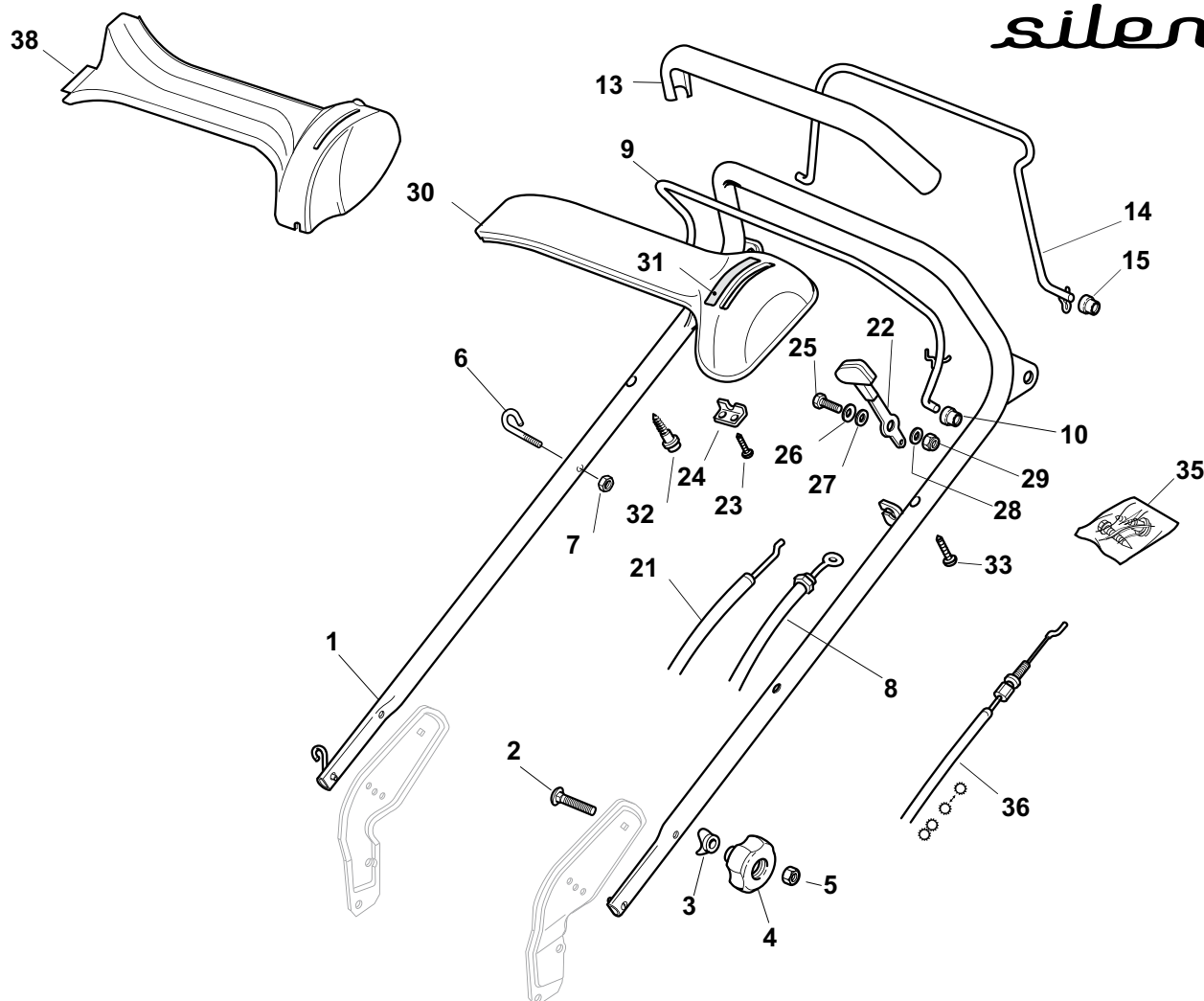
TR SIL

TR 4S SIL

W TR SIL



silent



POS.	CODE	Q.TY	DESCRIZIONE	DESCRIPTION	DESCRIPTION	BESCHREIBUNG	REMARKS
1	381006869/1	1	Manico, Parte Sup	Handle, Upper Part	Mancheron, Partie Supérieure	Holm, Oberteil	
2	12819120/0	2	Vite	Screw	Vis	Schraube	
3	22680006/1	2	Rosetta	Washer	Rondelle	Scheibe	
4	322399804/1	2	Manopolina	Knob	Poignée	Griff	
5	12293200/0	2	Dado	Nut	Ecrou	Mutter	
6	22430313/0	1	Molla Guida	Guide Spring	Ressort De Guide	Feder Führer	
7	12154510/0	1	Dado	Nut	Ecrou	Mutter	
8	181030026/0	1	Cavo Freno Motore	Cable, Thread Engine Brake	Cable Frein Moteur	Kabel, Motorbremse	(Ggp 160cc)
9	81003291/3	1	Leva Freno Motore	Lever, Engine Brake	Levier Frein Moteur	Hebel, Motorbremse	
10	22041966/0	2	Bussola	Bush	Douille	Buchse	
11	12728518/0	1	Vite	Screw	Vis	Schraube	
12	22806612/0	1	Supporto	Support	Support	Halter	
13	22291050/0	1	Impugnatura Manico Nera	Handgrip Black	Poignée Noire	Handgriff Schwarz	
14	81003288/1	1	Leva Trazione	Lever, Driving	Levier Traction	Hebel, Antrieb	
15	22041965/1	2	Bussola	Bush	Douille	Buchse	
21	81007160/0	1	Cavo Acceleratore	Throttle Cable	Cable, Accelérateur	Gashebel Kabel	
22	81007280/2	1	Leva, Acceleratore	Lever, Throttle	Levier,	Hebel, Beschleuniger	

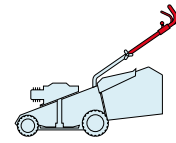
POS.	CODE	Q.TY	DESCRIZIONE	DESCRIPTION	DESCRIPTION	BESCHREIBUNG	REMARKS
23	12735105/0	2	Vite	Screw	Vis	Schraube	
24	22981467/0	1	Piastrina	Plate	Plaquette	Platte	
25	12791500/0	1	Vite	Screw	Vis	Schraube	
25	12530060/0	1	Rosetta Elastica	Elastic Washer	Rondelle Elastique	Elastische Scheibe	
27	12523040/0	1	Rosetta	Washer	Rondelle	Scheibe	
28	12523040/0	1	Rosetta	Washer	Rondelle	Scheibe	
29	12154510/0	1	Dado	Nut	Ecrou	Mutter	
30	22120152/0	1	Cruscotto Giallo	Dash Board Yellow	Console Jaune	Konsole Gelbe	
30	22120154/0	1	Cruscotto Rosso	Dash Board Red	Console Rouge	Konsole Rote	
30	22120158/0	1	Cruscotto Nero	Dash Board Black	Console Noire	Konsole Schwarze	
31	114356743/1	1	Etichetta	Label	Etiquette	Etikette	
32	22943006/0	1	Vite	Screw	Vis	Schraube	
33	12728460/0	1	Vite	Screw	Vis	Schraube	
35	81008609/0	1	Dotazione Viteria Cruscotto	Outfit, Dash-Board Screws	Dotation Visserie Console	Satz, Konsole Schrauben	
36	381030025/0	1	Cavo Comando Trazione	Cable, Rear Drive	Câble, Commande Traction	Kabel, Antrieb	(General Transmission)
38	22120172/0	1	Cruscotto Nero	Dash Board Black	Console Noire	Konsole Schwarze	
38	22120173/0	1	Cruscotto Rosso	Dash Board Red	Console Rouge	Konsole Rote	
38	22120174/0	1	Cruscotto Giallo	Dash Board Yellow	Console Jaune	Konsole Gelbe	

CAL 534

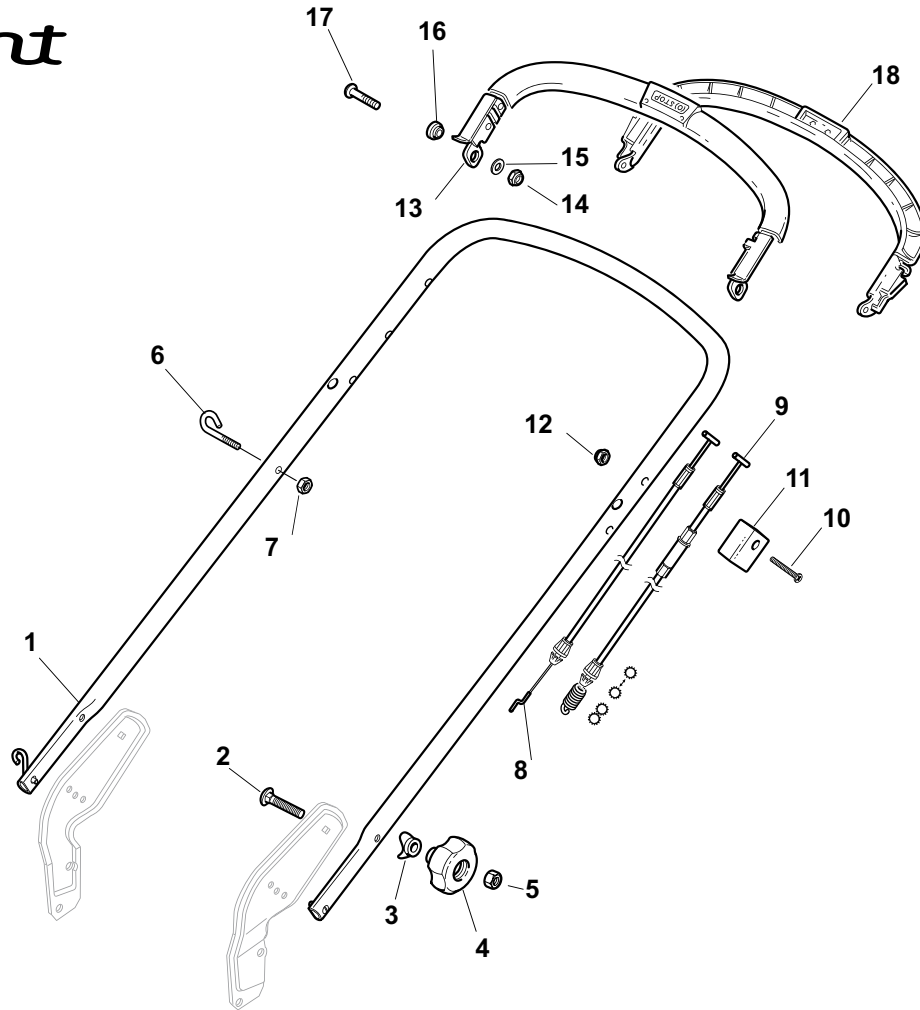
TR SIL

TR 4S SIL

W TR SIL



silent



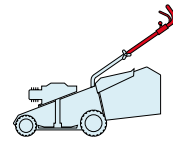
POS.	CODE	Q.TY	DESCRIZIONE	DESCRIPTION	DESCRIPTION	BESCHREIBUNG	REMARKS
1	381006691/0	1	Manico, Parte Sup	Handle, Upper Part	Mancheron, Partie Supérieure	Holm, Oberteil	
2	12819120/0	2	Vite	Screw	Vis	Schraube	
3	22680006/1	2	Rosetta	Washer	Rondelle	Scheibe	
4	322399804/1	2	Manopolina	Knob	Poignée	Griff	
5	12293200/0	2	Dado	Nut	Ecrou	Mutter	
6	22430313/0	1	Molla Guida	Guide Spring	Ressort De Guide	Feder Führer	
7	12154510/0	1	Dado	Nut	Ecrou	Mutter	
8	381030028/0	1	Cavo Freno Motore	Cable, Thread Engine Brake	Cable Frein Moteur	Kabel, Motorbremse	(Ggp 160cc)
9	381030029/0	1	Cavo Comando Trazione	Cable, Rear Drive	Câble, Commande Traction	Kabel, Antrieb	(General Transmission)
10	12689500/0	2	Vite	Screw	Vis	Schraube	
11	22551640/0	1	Piastrina	Plate	Plaquette	Plättchen	
12	12154510/0	1	Dado	Nut	Ecrou	Mutter	
13	381003330/0	1	Leva Freno Motore	Lever, Engine Brake	Levier Frein Moteur	Hebel, Motorbremse	
14	12154510/0	2	Dado	Nut	Ecrou	Mutter	
15	12523010/0	2	Rosetta	Washer	Rondelle	Scheibe	
16	22041960/0	2	Bussola	Bush	Douille	Buchse	
17	122524328/0	2	Perno	Pin	Pivot	Bolzen	
18	81003297/1	1	Leva Trazione	Driving Lever	Levier Traction	Antriebhebel	

CAL 534

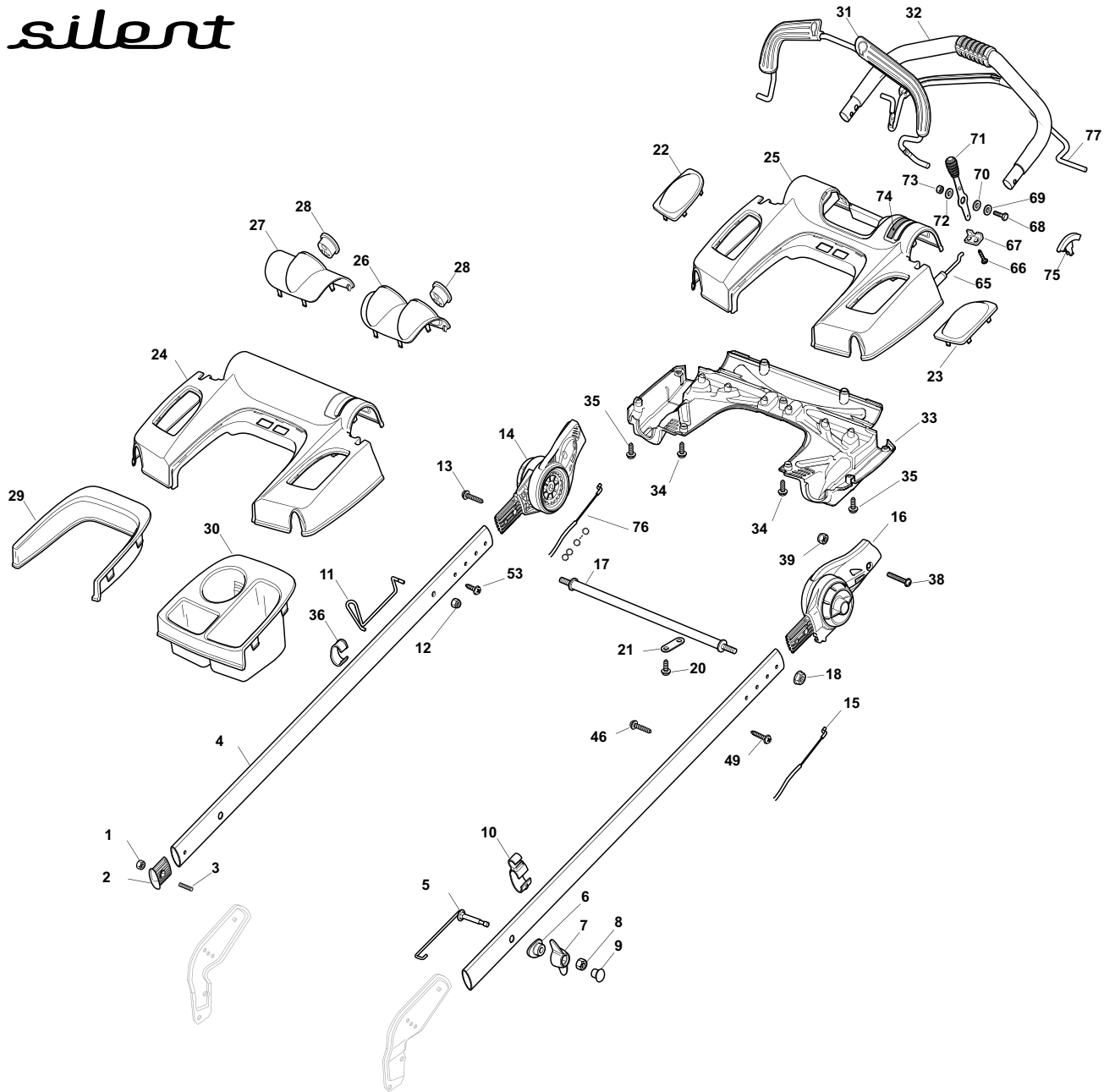
TR SIL

TR 4S SIL

W TR SIL



silent



POS.	CODE	Q.TY	DESCRIZIONE	DESCRIPTION	DESCRIPTION	BESCHREIBUNG	REMARKS
1	12154510/0	2	Dado	Nut	Ecrou	Mutter	
2	22820071/0	2	Puntale	Cap	Bouchon	Gummistopfen	
3	12789450/0	2	Vite	Screw	Vis	Schraube	
4	322498105/1	2	Manico	Handle	Mancheron	Holm	
5	381003805/0	2	Molla Guida	Spring	Ressort	Feder	
6	22680012/0	2	Rosetta	Washer	Rondelle	Scheibe	
7	22399821/0	2	Manopolina	Knob	Poignée	Griff	
8	12293200/0	2	Dado	Nut	Ecrou	Mutter	
9	322820072/1	2	Tappo	Cap	Bouchon	Stopfen	
10	22192003/0	1	Fermacavo	Fairlead	Fixation Cable	Kabelbefestigung	
11	122430316/1	1	Molla Guida	Spring	Ressort	Feder	

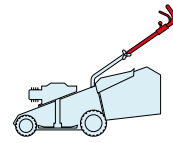
POS.	CODE	Q.TY	DESCRIZIONE	DESCRIPTION	DESCRIPTION	BESCHREIBUNG	REMARKS
12	12154330/0	1	Dado	Nut	Ecrou	Mutter	
13	112728698/0	1	Vite	Screw	Vis	Schraube	
14	381745003/0	1	Snodo	Joint	Joint	Gelenk	
15	181030031/0	1	Cavo Freno Motore	Cable, Thread Engine Brake	Cable Frein Moteur	Kabel, Motorbremse	(Ggp 160cc)
16	381745004/0	1	Snodo	Joint	Joint	Gelenk	
17	122608537/1	1	Rinforzo	Stiffening	Renforcement	Verstaerkung	
18	12293201/0	2	Dado	Nut	Ecrou	Mutter	
20	12728691/0	2	Vite	Screw	Vis	Schraube	
21	322981471/0	2	Piastrina	Plate	Plaque	Platte	
22	322557155/1	1	Coperchio	Cover	Couvercle	Deckel	
23	322557156/1	1	Coperchio	Cover	Couvercle	Deckel	
24	322120184/2	1	Cruscotto	Dash Board	Console	Konsole	
25	322120185/2	1	Cruscotto	Dash Board	Console	Konsole	
26	322109542/1	1	Coperchio	Cover	Couvercle	Deckel	
27	322109541/1	1	Coperchio	Cover	Couvercle	Deckel	
28	122480000/1	1	Orologio	Clock	Montre	Uhr	
29	322109543/1	1	Protezione	Protection	Protection	Schutz	
30	322109540/1	1	Vaschette Portaoggetti	Tray	Bac De Rangement	Ablage	
31	81003325/0	1	Leva Freno Motore	Lever, Engine Brake	Levier Frein Moteur	Hebel, Motorbremse	
32	381006670/2	1	Impugnatura Manico	Handgrip	Poignée	Handgriff	
33	322109547/0	1	Coperchio	Cover	Couvercle	Deckel	
34	112728706/0	2	Vite	Screw	Vis	Schraube	
35	112728695/0	7	Vite	Screw	Vis	Schraube	
36	322192004/0	1	Fascetta	Anchor Clamp	Collier Ancre	Bowdenzughalter	
38	112727799/0	2	Vite	Screw	Vis	Schraube	
39	12154510/0	2	Dado	Nut	Ecrou	Mutter	
46	12728526/0	1	Vite	Screw	Vis	Schraube	
49	112728698/0	1	Vite	Screw	Vis	Schraube	
53	12728526/0	1	Vite	Screw	Vis	Schraube	
65	81007160/0	1	Cavo Acceleratore	Throttle Cable	Cable, Accelérateur	Gashebel Kabel	
66	12735105/0	2	Vite	Screw	Vis	Schraube	
67	22981467/0	1	Piastrina	Plate	Plaquette	Platte	
68	12791500/0	1	Vite	Screw	Vis	Schraube	
69	12530060/0	1	Rosetta	Washer	Rondelle	Scheibe	
70	12523040/0	1	Rosetta	Washer	Rondelle	Scheibe	
71	381007225/1	1	Leva, Acceleratore - Nera	Lever, Throttle	Levier,	Hebel, Beshleuniger	
71	381007222/1	1	Leva, Acceleratore - Rossa	Lever, Throttle	Levier,	Hebel, Beshleuniger	
72	12523040/0	1	Rosetta	Washer	Rondelle	Scheibe	
73	12154510/0	1	Dado	Nut	Ecrou	Mutter	
74	114362229/1	1	Etichetta	Label	Etiquette	Etikette	(Ggp 160 cc)
75	22557160/0	1	Tappo	Cap	Bouchon	Gummistopfen	
76	381030023/0	1	Cavo Comando Trazione	Cable, Rear Drive	Câble, Commande Traction	Kabel, Antrieb	(General Transmission)
77	381003328/0	1	Leva Trazione	Lever, Driving	Levier Traction	Hebel, Antrieb	

CAL 534

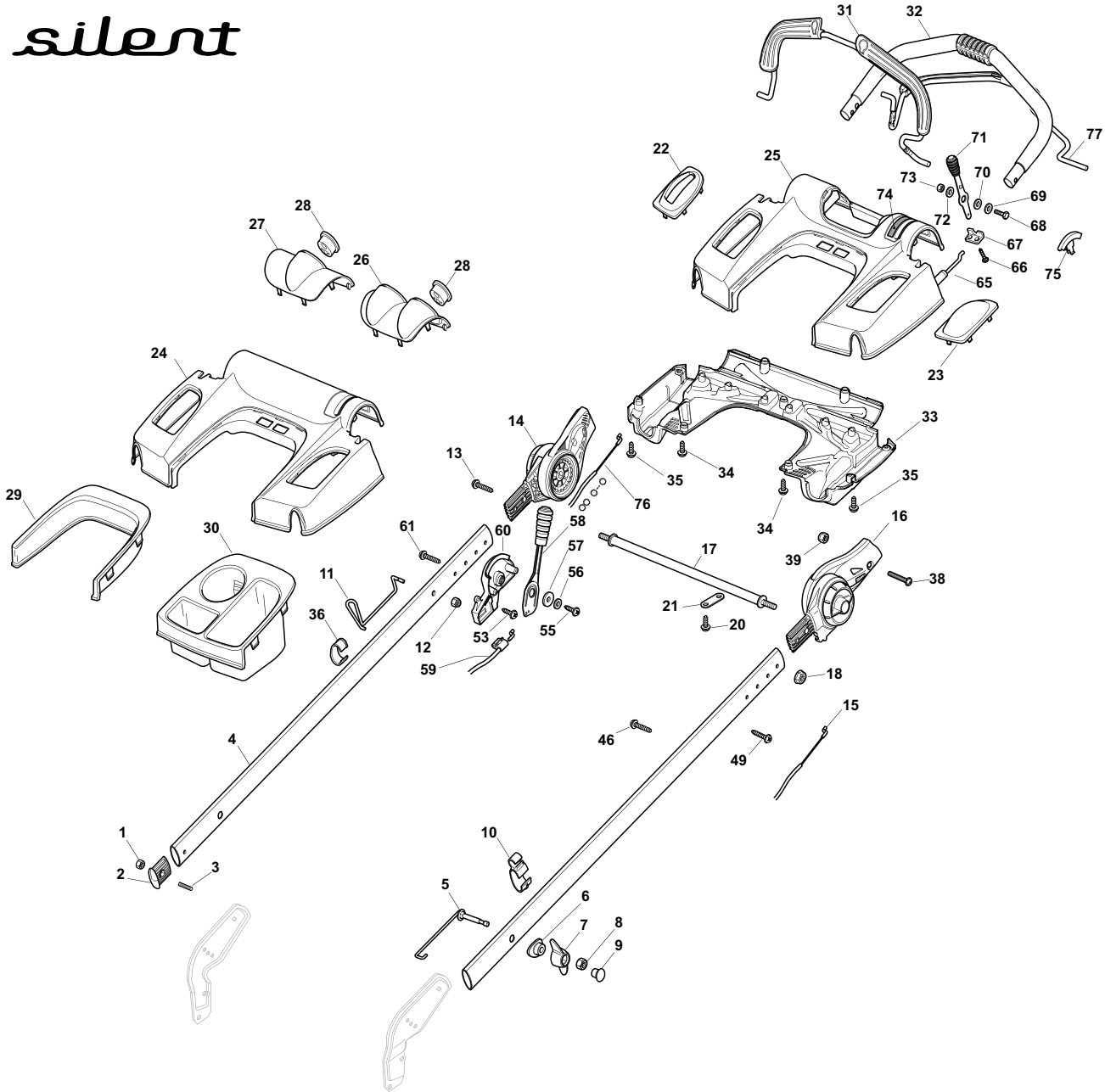
TR SIL

TR 4S SIL

WTR SIL



silent



POS.	CODE	Q.TY	DESCRIZIONE	DESCRIPTION	DESCRIPTION	BESCHREIBUNG	REMARKS
1	12154510/0	2	Dado	Nut	Ecrou	Mutter	
2	22820071/0	2	Puntale	Cap	Bouchon	Gummistopfen	
3	12789450/0	2	Vite	Screw	Vis	Schraube	
4	322498105/1	2	Manico	Handle	Mancheron	Holm	
5	381003805/0	2	Molla Guida	Spring	Ressort	Feder	
6	22680012/0	2	Rosetta	Washer	Rondelle	Scheibe	
7	22399821/0	2	Manopolina	Knob	Poignée	Griff	
8	12293200/0	2	Dado	Nut	Ecrou	Mutter	
9	322820072/1	2	Tappo	Cap	Bouchon	Stopfen	
10	22192003/0	1	Fermacavo	Fairlead	Fixation Cable	Kabelbefestigung	
11	122430316/1	1	Molla Guida	Spring	Ressort	Feder	

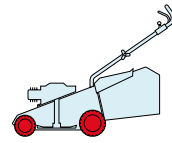
POS.	CODE	Q.TY	DESCRIZIONE	DESCRIPTION	DESCRIPTION	BESCHREIBUNG	REMARKS
12	12154330/0	1	Dado	Nut	Ecrou	Mutter	
13	12728702/0	1	Vite	Screw	Vis	Schraube	
14	381745003/0	1	Snodo	Joint	Joint	Gelenk	
15	181030031/0	1	Cavo Freno Motore	Cable, Thread Engine Brake	Cable Frein Moteur	Kabel, Motorbremse	(Ggp 160cc)
16	381745004/0	1	Snodo	Joint	Joint	Gelenk	
17	122608537/1	1	Rinforzo	Stiffening	Renforcement	Verstaerkung	
18	12293201/0	2	Dado	Nut	Ecrou	Mutter	
20	12728691/0	2	Vite	Screw	Vis	Schraube	
21	322981471/0	2	Piastrina	Plate	Plaque	Platte	
22	322557159/1	1	Coperchio	Cover	Couvercle	Deckel	
23	322557156/1	1	Coperchio	Cover	Couvercle	Deckel	
24	322120184/2	1	Cruscotto	Dash Board	Console	Konsole	
25	322120185/2	1	Cruscotto	Dash Board	Console	Konsole	
26	322109542/1	1	Coperchio	Cover	Couvercle	Deckel	
27	322109541/1	1	Coperchio	Cover	Couvercle	Deckel	
28	122480000/1	1	Orologio	Clock	Montre	Uhr	
29	322109543/1	1	Protezione	Protection	Protection	Schutz	
30	322109540/1	1	Vaschette Portaoggetti	Tray	Bac De Rangement	Ablage	
31	81003325/0	1	Leva Freno Motore	Lever, Engine Brake	Levier Frein Moteur	Hebel, Motorbremse	
32	381006670/2	1	Impugnatura Manico	Handgrip	Poignée	Handgriff	
33	322109547/0	1	Coperchio	Cover	Couvercle	Deckel	
34	112728706/0	2	Vite	Screw	Vis	Schraube	
35	112728695/0	7	Vite	Screw	Vis	Schraube	
36	322192004/0	1	Fascetta	Anchor Clamp	Collier Ancre	Bowdenzughalter	
38	112727799/0	2	Vite	Screw	Vis	Schraube	
39	12154510/0	2	Dado	Nut	Ecrou	Mutter	
46	12728526/0	1	Vite	Screw	Vis	Schraube	
49	112728698/0	1	Vite	Screw	Vis	Schraube	
53	12728527/0	1	Vite	Screw	Vis	Schraube	
55	12728686/0	1	Vite	Screw	Vis	Schraube	
56	12523020/0	1	Rosetta	Washer	Rondelle	Scheibe	
57	22680013/0	1	Rondella	Washer	Rondelle	Scheibe	
58	381007226/1	1	Leva Trazione, Nera	Lever, Driving	Levier Traction	Hebel, Antrieb	
59	381030030/0	1	Cavo Comando Marce	Cable, Speed Drive Control	Cable, Comm. Change- ment Vitesse	Kabel, Gängeschaltun	
60	22785233/0	1	Supporto	Support	Support	Halter	
65	81007160/0	1	Cavo Acceleratore	Throttle Cable	Cable, Accelérateur	Gashebel Kabel	
66	12735105/0	2	Vite	Screw	Vis	Schraube	
67	22981467/0	1	Piastrina	Plate	Plaque	Platte	
68	12791500/0	1	Vite	Screw	Vis	Schraube	
69	12530060/0	1	Rosetta	Washer	Rondelle	Scheibe	
70	12523040/0	1	Rosetta	Washer	Rondelle	Scheibe	
72	381007225/1	1	Leva, Acceleratore - Nera	Lever, Throttle	Levier,	Hebel, Beshleuniger	
72	381007222/1	1	Leva, Acceleratore - Rossa	Lever, Throttle	Levier,	Hebel, Beshleuniger	
72	12523040/0	1	Rosetta	Washer	Rondelle	Scheibe	
73	12154510/0	1	Dado	Nut	Ecrou	Mutter	
74	114362229/1	1	Etichetta	Label	Etiquette	Etikette	(Ggp 160 cc)
75	22557160/0	1	Tappo	Cap	Bouchon	Gummistopfen	
76	381030023/0	1	Cavo Comando Trazione	Cable, Rear Drive	Câble, Commande Traction	Kabel, Antrieb	(General Transmission)
77	381003328/0	1	Leva Trazione	Lever, Driving	Levier Traction	Hebel, Antrieb	

CAL 534

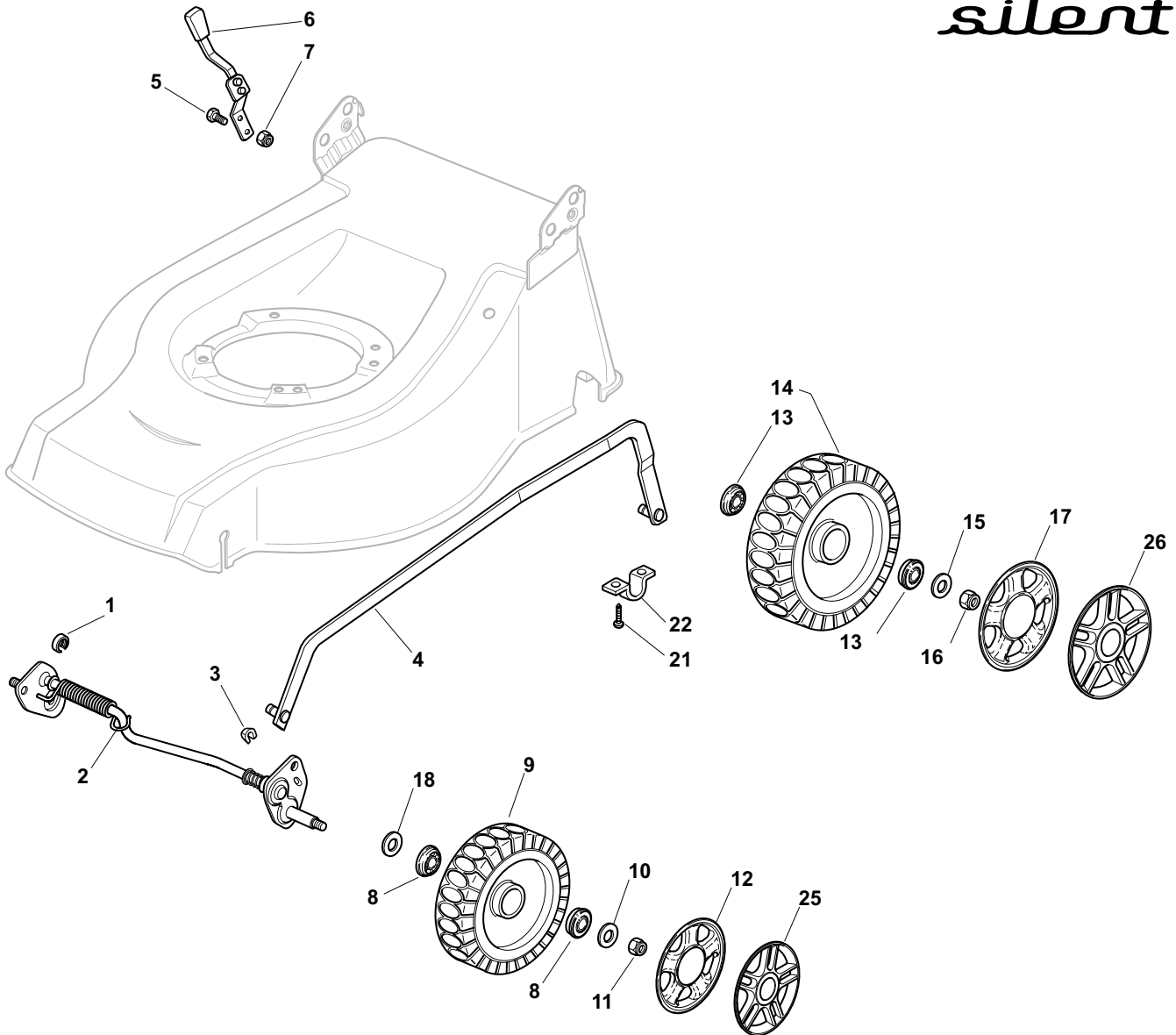
TR SIL

TR 4S SIL

WTR SIL



silent



POS.	CODE	Q.TY	DESCRIZIONE	DESCRIPTION	DESCRIPTION	BESCHREIBUNG	REMARKS
1	22171002/0	1	Distanziale	Spacer	Entretoise	Distanzring	
2	81000143/1	1	Asse Ruote Anteriori	Axle, Front Wheels	Axe Roues Avant	Achse, Vorderrad	
3	112436050/1	2	Piastrina	Plate	Plaquette	Plättchen	
4	381002021/0	1	Asta Comando Regol. Altezza	Rod, Height Adjustment	Tige Commande Reglage Hauteur	Stange, Höheverstellung	
5	12789000/0	2	Vite	Screw	Vis	Schraube	
6	81003283/1	1	Leva Regolazione Altezza	Lever, Height Adjustment	Levier, Reglage Hauteur	Hebel, Höheverstellung	
7	12154320/0	2	Dado	Nut	Ecrou	Mutter	
8	22122200/0	4	Cuscinetto	Bearing	Coussinet	Lager	
9	81007336/0	2	Ruota Scolpita Ø 170	Wheel, Knobby Ø 170	Roue Sculptee Ø 170	Rad M. Stollenpr. Ø 170	
10	12521350/0	2	Rosetta	Washer	Rondelle	Scheibe	
11	12155000/0	2	Dado	Nut	Ecrou	Mutter	
12	22110381/0	2	Coprimozzo Grigio	Hub Cap, Grey	Couvre-Moyeu, Gris	Radkappe, Grau	
13	22122200/0	4	Cuscinetto	Bearing	Coussinet	Lager	

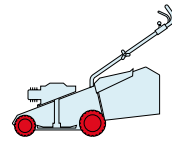
POS.	CODE	Q.TY	DESCRIZIONE	DESCRIPTION	DESCRIPTION	BESCHREIBUNG	REMARKS
14	81007337/0	2	Ruota Scolpita Ø 210	Wheel, Knobbly Ø 210	Roue Sculptee Ø 210	Rad M. Stollenpr. Ø 210	
15	12521350/0	2	Rosetta	Washer	Rondelle	Scheibe	
16	12155000/0	2	Dado	Nut	Ecrou	Mutter	
17	22110382/0	2	Coprizzo Grigio	Hub Cap, Grey	Couvre-Moyeu, Gris	Radkappe, Grau	
18	12530150/0	2	Rosetta Elastica	Elastic Washer	Rondelle Elastique	Elastische Scheibe	
21	12731350/0	4	Vite	Screw	Vis	Schraube	
22	22545152/0	2	Piastrina	Plate	Plaquette	Platte	
25	22110491/0	2	Coprizzo Grigio	Hub Cap, Grey	Couvre-Moyeu, Gris	Radkappe, Grau	
26	22110492/0	2	Coprizzo Grigio	Hub Cap, Grey	Couvre-Moyeu, Gris	Radkappe, Grau	

CAL 534

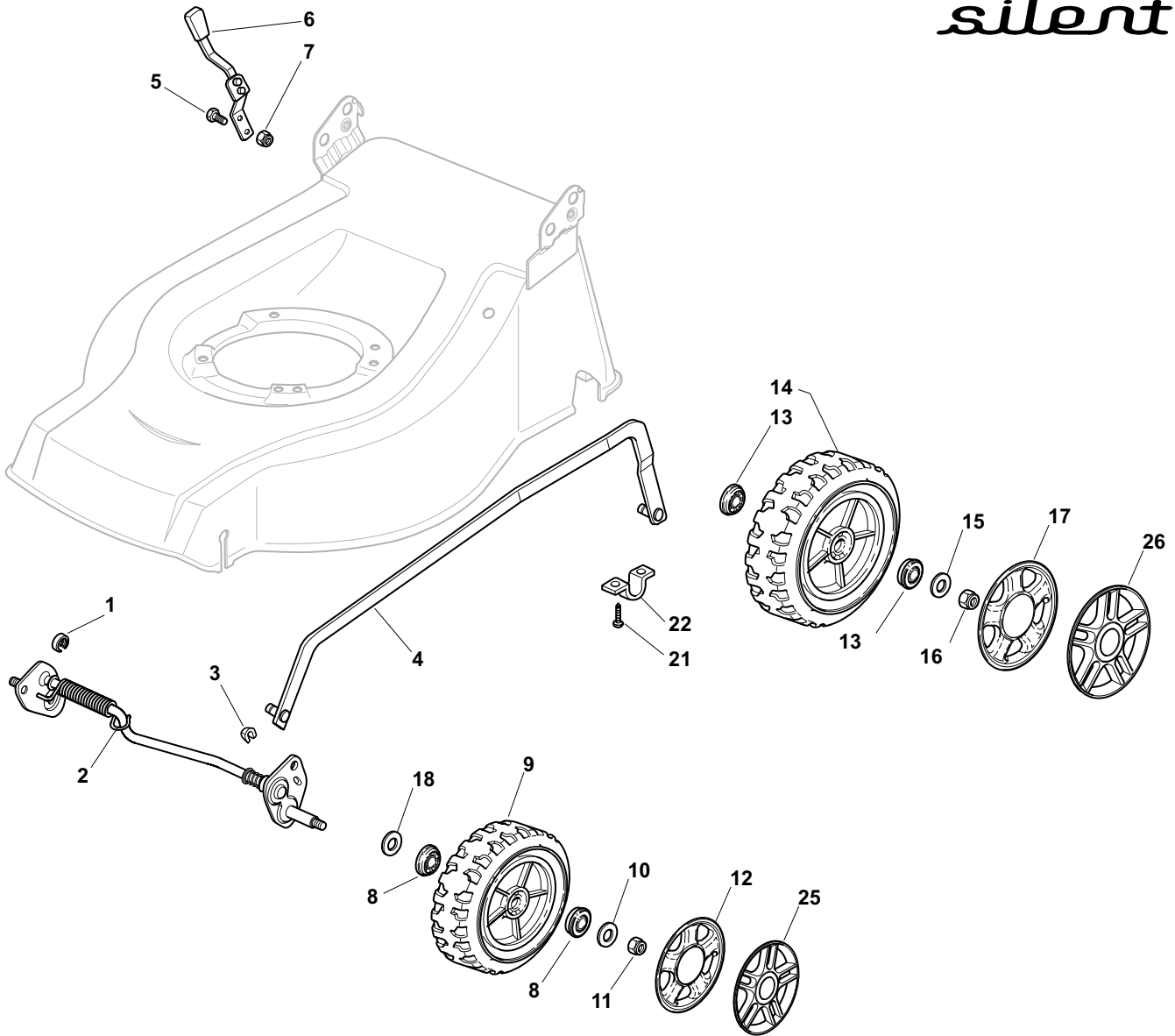
TR SIL

TR 4S SIL

WTR SIL



silent



POS.	CODE	Q.TY	DESCRIZIONE	DESCRIPTION	DESCRIPTION	BESCHREIBUNG	REMARKS
1	22171002/0	1	Distanziale	Spacer	Entretoise	Distanzring	
2	81000143/1	1	Asse Ruote Anteriori	Axle, Front Wheels	Axe Roues Avant	Achse, Vorderrad	
3	112436050/1	2	Piastrina	Plate	Plaquette	Plättchen	
4	381002021/0	1	Asta Comando Regol. Altezza	Rod, Height Adjustment	Tige Commande Reglage Hauteur	Stange, Höheverstellung	
5	12789000/0	2	Vite	Screw	Vis	Schraube	
6	81003283/1	1	Leva Regolazione Altezza	Lever, Height Adjustment	Levier, Reglage Hauteur	Hebel, Höheverstellung	
7	12154320/0	2	Dado	Nut	Ecrou	Mutter	
8	22122200/0	4	Cuscinetto	Bearing	Coussinet	Lager	
9	81007351/0	2	Ruota Scolpita Ø 170	Wheel, Knobbly Ø 170	Roue Sculptee Ø 170	Rad M. Stollenpr. Ø 170	
10	12521350/0	2	Rosetta	Washer	Rondelle	Scheibe	
11	12155000/0	2	Dado	Nut	Ecrou	Mutter	
12	22110381/0	2	Coprimozzo Grigio	Hub Cap, Grey	Couvre-Moyeu, Gris	Radkappe, Grau	
13	22122200/0	4	Cuscinetto	Bearing	Coussinet	Lager	

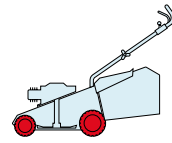
POS.	CODE	Q.TY	DESCRIZIONE	DESCRIPTION	DESCRIPTION	BESCHREIBUNG	REMARKS
14	81007343/0	2	Ruota Scolpita Ø 210	Wheel, Knobbly Ø 210	Roue Sculptee Ø 210	Rad M. Stollenpr. Ø 210	
15	12521350/0	2	Rosetta	Washer	Rondelle	Scheibe	
16	12155000/0	2	Dado	Nut	Ecrou	Mutter	
17	22110382/0	2	Coprимozzo Grigio	Hub Cap, Grey	Couvre-Moyeu, Gris	Radkappe, Grau	
18	12530150/0	2	Rosetta Elastica	Elastic Washer	Rondelle Elastique	Elastische Scheibe	
21	12731350/0	4	Vite	Screw	Vis	Schraube	
22	22545152/0	2	Piastrina	Plate	Plaquette	Platte	
25	22110491/0	2	Coprимozzo Grigio	Hub Cap, Grey	Couvre-Moyeu, Gris	Radkappe, Grau	
26	22110492/0	2	Coprимozzo Grigio	Hub Cap, Grey	Couvre-Moyeu, Gris	Radkappe, Grau	

CAL 534

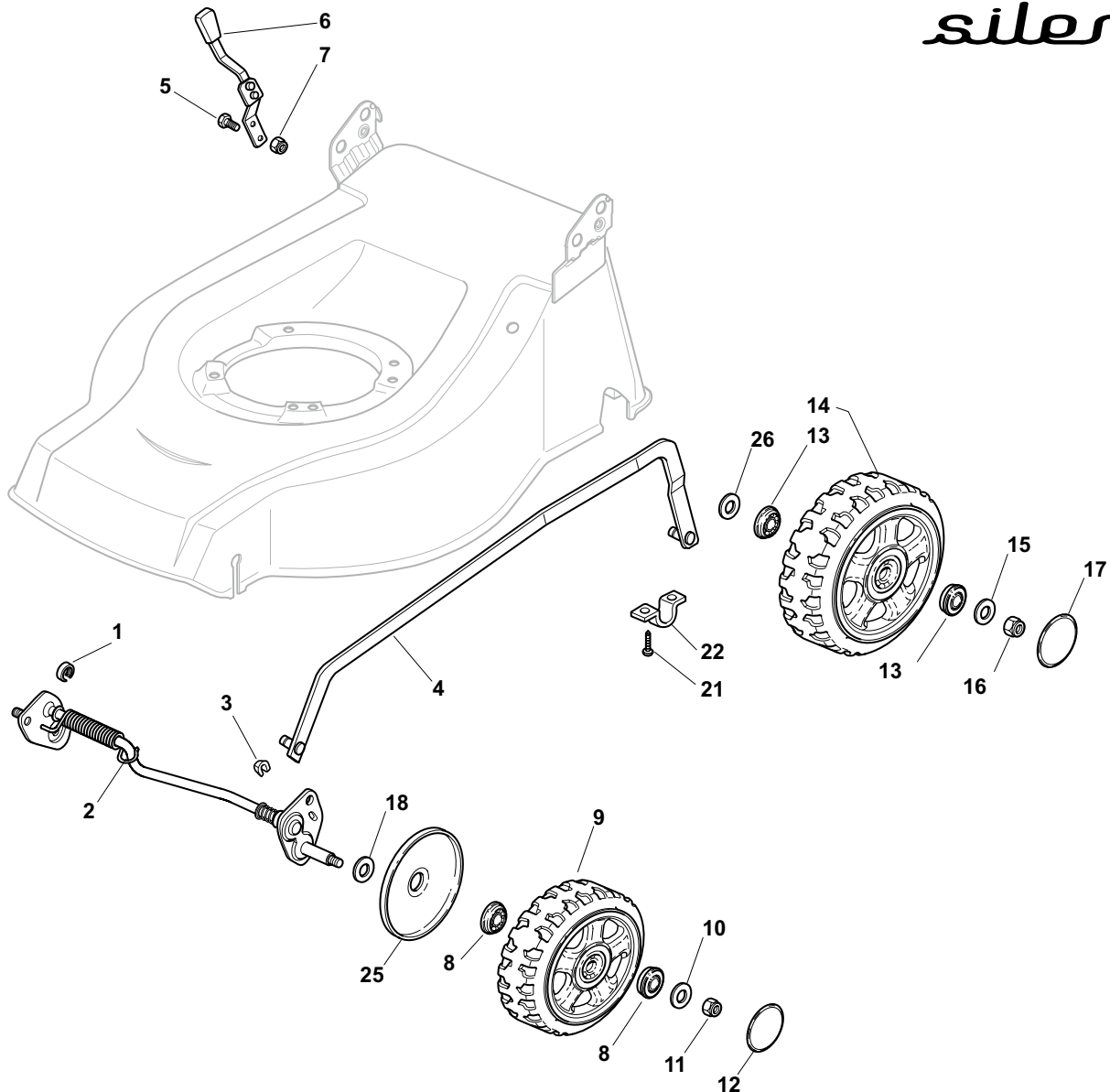
TR SIL

TR 4S SIL

WTR SIL



silent



POS.	CODE	Q.TY	DESCRIZIONE	DESCRIPTION	DESCRIPTION	BESCHREIBUNG	REMARKS
1	22171002/0	1	Distanziale	Spacer	Entretoise	Distanzring	
2	81000143/1	1	Asse Ruote Anteriori	Axle, Front Wheels	Axe Roues Avant	Achse, Vorderrad	
3	112436050/1	2	Piastrina	Plate	Plaquette	Plättchen	
4	381002021/0	1	Asta Comando Regol. Altezza	Rod, Height Adjustment	Tige Commande Reglage Hauteur	Stange, Höheverstellung	
5	12789000/0	2	Vite	Screw	Vis	Schraube	
6	81003283/1	1	Leva Regolazione Altezza	Lever, Height Adjustment	Levier, Reglage Hauteur	Hebel, Höheverstellung	
7	12154320/0	2	Dado	Nut	Ecrou	Mutter	
8	22122200/0	4	Cuscinetto	Bearing	Coussinet	Lager	
9	81007376/0	2	Ruota Ø 170	Wheel Ø 170	Roue Ø 170	Rad. Ø 170	
10	12521350/0	2	Rosetta	Washer	Rondelle	Scheibe	
11	12155000/0	2	Dado	Nut	Ecrou	Mutter	
12	22110418/0	2	Coprimozzo	Hub Cap	Couvre-Moyeu	Radkappe	
13	22122200/0	4	Cuscinetto	Bearing	Coussinet	Lager	

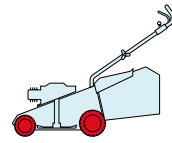
POS.	CODE	Q.TY	DESCRIZIONE	DESCRIPTION	DESCRIPTION	BESCHREIBUNG	REMARKS
14	81007382/0	2	Ruota Ø 210	Wheel Ø 210	Roue Ø 210	Rad. Ø 210	
15	12521350/0	2	Rosetta	Washer	Rondelle	Scheibe	
16	12155000/0	2	Dado	Nut	Ecrou	Mutter	
17	22110419/0	2	Coprimezzo	Hub Cap	Couvre-Moyeu	Radkappe	
18	12530150/0	2	Rosetta Elastica	Elastic Washer	Rondelle Elastique	Elastische Scheibe	
21	12731350/0	4	Vite	Screw	Vis	Schraube	
22	22545152/0	2	Piastrina	Plate	Plaquette	Platte	
25	22600144/0	2	Protezione	Protection	Protection	Schutz	
26	22675100/0	2	Rosetta	Washer	Rondelle	Scheibe	

CAL 534

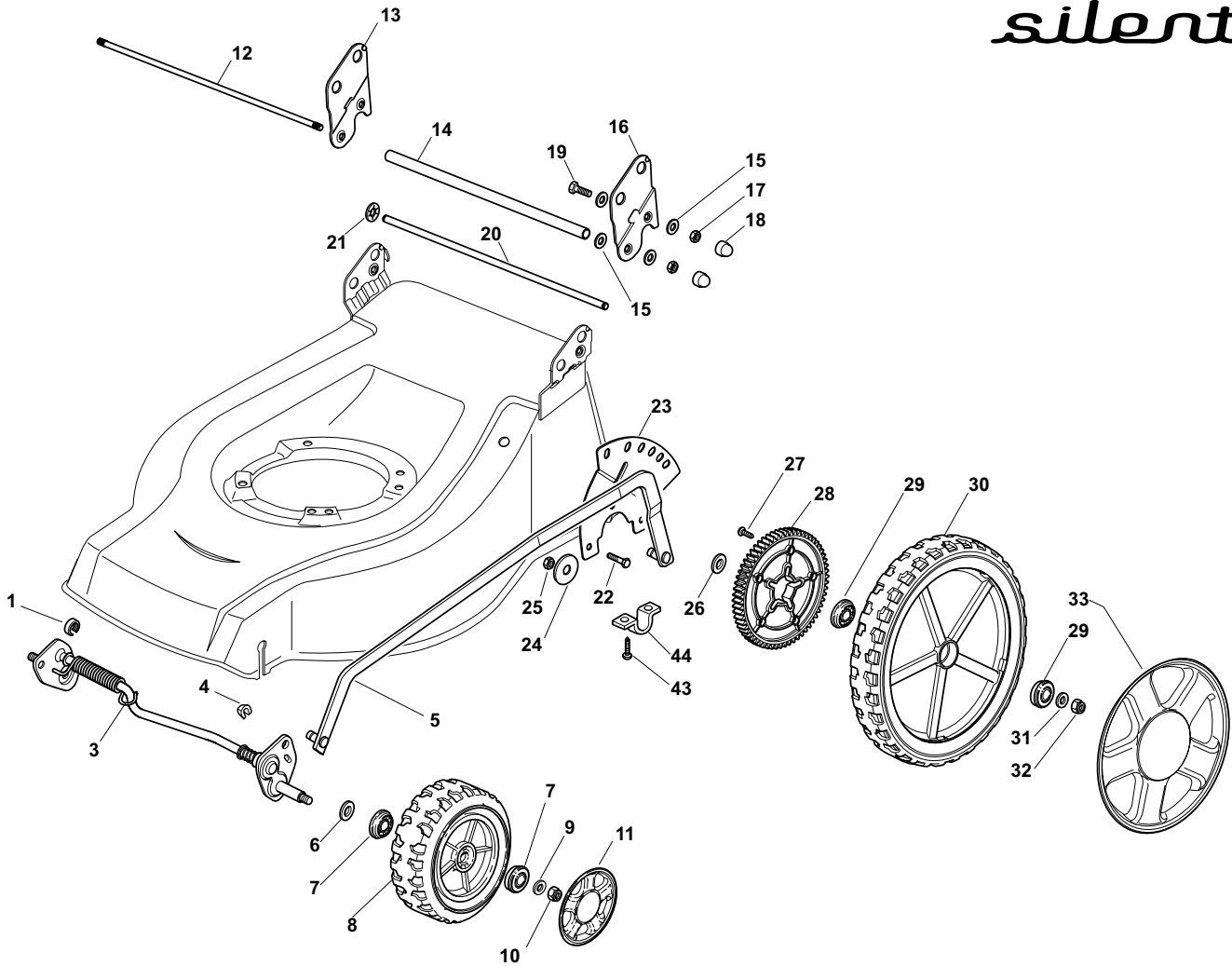
TR SIL

TR 4S SIL

W TR SIL



silent



POS.	CODE	Q.TY	DESCRIZIONE	DESCRIPTION	DESCRIPTION	BESCHREIBUNG	REMARKS
1	22171002/0	2	Distanziale	Spacer	Entretoise	Distanzring	
3	381002859/0	1	Asse Ruote Anteriori	Axle, Front Wheels	Axe Roues Avant	Achse, Vorderrad	
4	12436050/0	2	Piastrina	Plate	Plaquette	Plättchen	
5	381002017/0	1	Asta Comando Regol. Altezza	Rod, Height Adjustment	Tige Commande Reglage Hauteur	Stange, Höheverstellung	
6	12530150/0	2	Rosetta	Washer	Rondelle	Scheibe	
7	22122200/0	4	Cuscinetto	Bearing	Coussinet	Lager	
8	81007343/0	2	Ruota Ø 210	Wheel Ø 210	Roue Ø 210	Rad Ø 210	
9	12521350/0	2	Rosetta	Washer	Rondelle	Scheibe	
10	12155000/0	2	Dado	Nut	Ecrou	Mutter	
11	-	2	Coprimozzo	Hub Cap	Couvre-Moyeu	Radkappe	(See Enclosure 2)
12	22517702/1	1	Fulcro Parasassi	Stone Guard Fulcrum	Point D'Appui Parepierres	Drehpunkt Prallblech	
13	22778427/0	1	Staffa Dx	Bracket, R	Bride D	Pratze, Rechte	
14	22869717/0	1	Distanziale	Spacer	Entretoise	Distanzring	
15	22671653/0	8	Rosetta	Washer	Rondelle	Scheibe	
16	22778429/0	1	Staffa Sx	Bracket, L	Bride G	Pratze, Linke	
17	12155000/0	4	Dado	Nut	Ecrou	Mutter	
18	18203854/0	4	Cappuccio	Protection	Capuchon	Stecker	

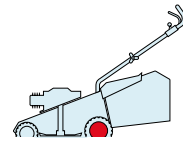
POS.	CODE	Q.TY	DESCRIZIONE	DESCRIPTION	DESCRIPTION	BESCHREIBUNG	REMARKS
19	12793301/0	2	Vite	Screw	Vis	Schraube	
20	22517860/0	1	Perno	Pin	Pivot	Bolzen	
21	12604899/0	2	Fissatore A Corona	Crown Fastener	Fixateur A Couronne	Kronescheibe	
22	12792611/0	3	Vite	Screw	Vis	Schraube	
23	322735579/1	1	Settore Regolazione Altezza	Sector, Height Adjustment	Secteur Reglage Hauteur	Sektor, Höheverstellung	
24	12523060/0	3	Rosetta	Washer	Rondelle	Scheibe	
25	12155000/0	3	Dado	Nut	Ecrou	Mutter	
26	22675100/0	2	Rosetta	Washer	Rondelle	Scheibe	
27	12728691/0	6	Vite	Screw	Vis	Schraube	
28	22120110/0	2	Ruota Dentata	Sprocket	Couronne	Zahnkettenrad	
29	22122200/0	4	Cuscinetto	Bearing	Coussinet	Lager	
30	81007380/0	2	Ruota Ø 300	Wheel Ø 300	Roue Ø 300	Rad Ø 300	
31	12521350/0	4	Rosetta	Washer	Rondelle	Scheibe	
32	12155000/0	2	Dado	Nut	Ecrou	Mutter	
33	-	2	Coprismozzo Ø 300	Hub Cap, Ø 300	Couvre-Moyeu, Ø 300	Radkappe, Ø 300	(See Enclosure 3)
43	12731350/0	4	Vite	Screw	Vis	Schraube	
44	22545152/0	2	Piastrina	Plate	Plaquette	Platte	

CAL 534

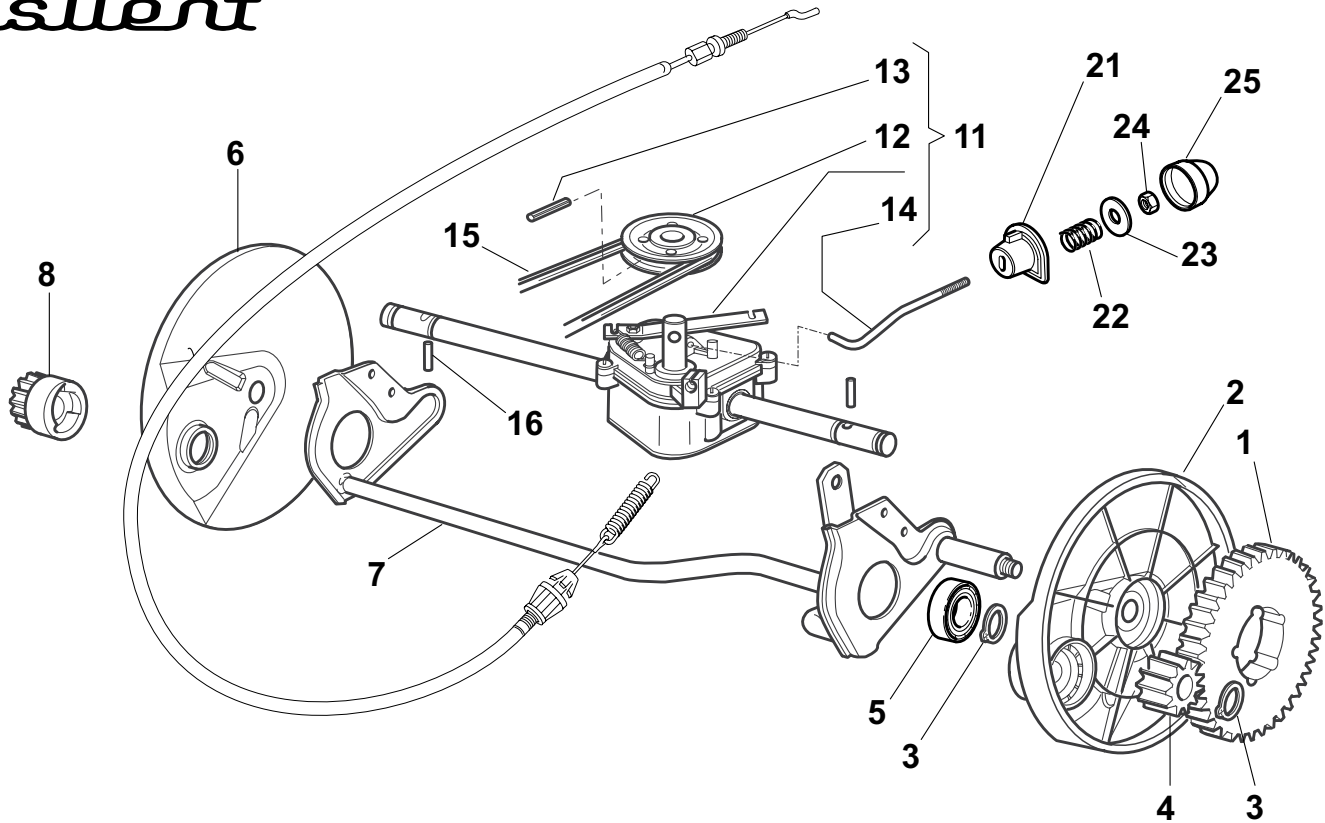
TR SIL

TR 4S SIL

WTR SIL



silent



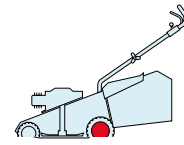
POS.	CODE	Q.TY	DESCRIZIONE	DESCRIPTION	DESCRIPTION	BESCHREIBUNG	REMARKS
1	22120105/1	2	Corona	Ring Gear	Couronne	Kranz	
2	22600093/0	1	Prot. Ruote Sx	Protection, L Wheel	Protection Roue G	Schütz, Linkes	
3	12608600/0	4	Seeger	Seeger	Seeger	Seeger	
4	22570120/1	1	Pignone Sx	Pinion L	Pignon G	Ritzel Linkes	
5	19216035/0	2	Cuscinetto	Bearing	Coussinet	Lager	
6	22600092/0	1	Prot. Ruote Dx	Protection, R Wheel	Protection Roue D	Schütz, Rechtes	
7	81000147/0	1	Asse Ruote Posteriori	Axle, Rear Wheels	Axe Roues Arriere	Achse, Hinterrad	
8	22570110/1	1	Pignone Dx	Pinion R	Pignon D	Ritzel Rechtes	
11	81003092/0	1	Gruppo Trazione	Gear Box	Groupe Traction	Antrieb	(General Transmission)
12	22601904/0	1	Puleggia	Pulley	Poulie	Riemenscheibe	
13	12645705/0	1	Spina	Pin	Goupille	Stift	
14	22033283/0	1	Asta Regolazione	Adjustment Rod	Tige Reglage	Verstellungstange	(General Transmission)
15	35063902/0	1	Cinghia Z 29.5	Belt Z 29.5	Courroie Z 29.5	Riemen Z 29.5	
16	22753000/0	2	Spina	Pin	Goupille	Stift	
21	22041957/1	1	Bussola	Bush	Douille	Buchse	
22	22450063/0	1	Molla	Spring	Ressort	Feder	
23	22680009/0	1	Rosetta	Washer	Rondelle	Scheibe	
24	12154510/0	1	Dado	Nut	Ecrou	Mutter	
25	22110230/0	1	Tappo	Cap	Bouchon	Gummistopfen	

CAL 534

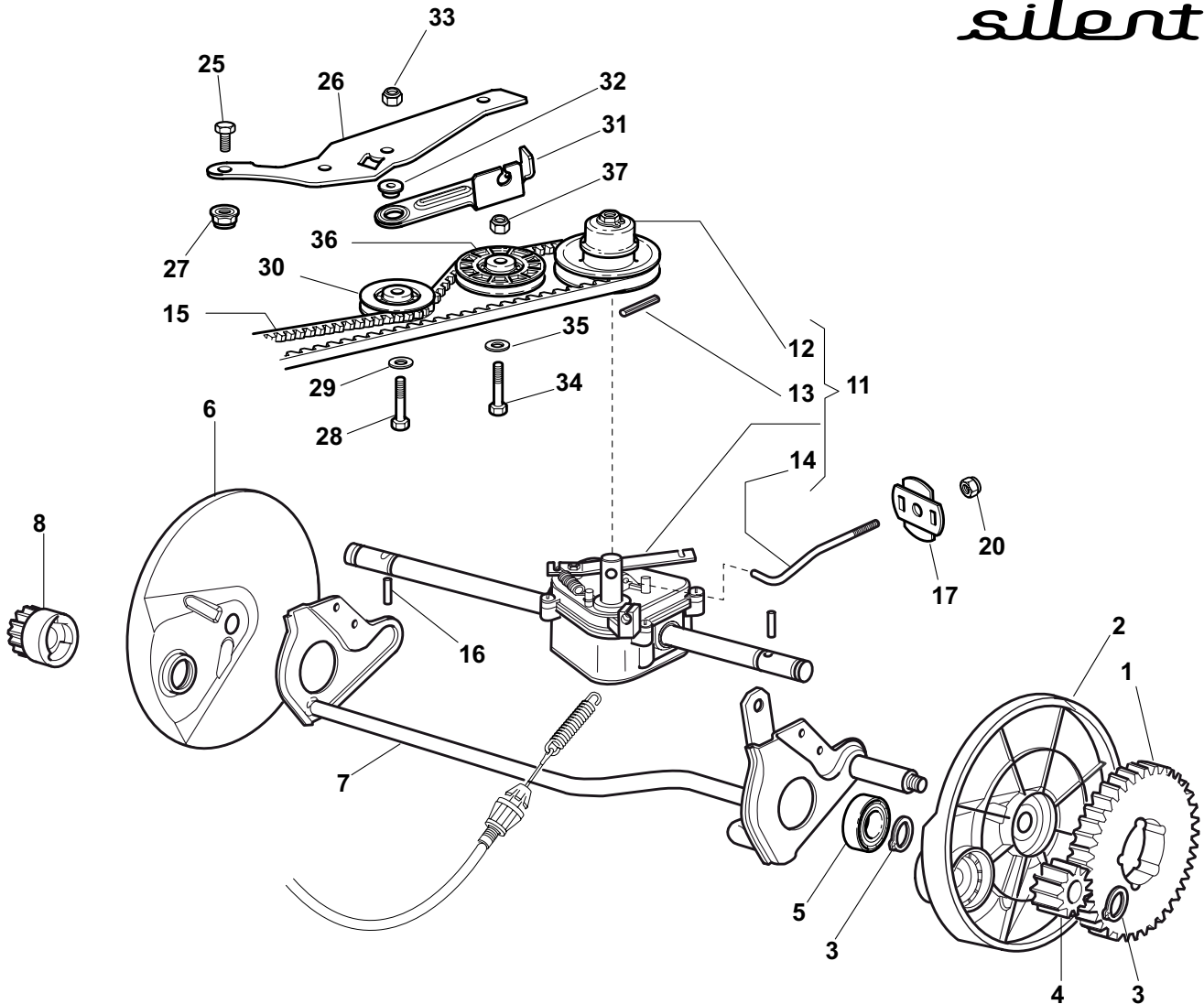
TR SIL

TR 4S SIL

W TR SIL



silent



POS.	CODE	Q.TY	DESCRIZIONE	DESCRIPTION	DESCRIPTION	BESCHREIBUNG	REMARKS
1	22120105/1	2	Corona	Ring Gear	Couronne	Kranz	
2	22600093/0	1	Prot. Ruote Sx	Protection, L Wheel	Protection Roue G	Schütz, Linkes	
3	12608600/0	4	Seeger	Seeger	Seeger	Seeger	
4	22570120/1	1	Pignone Sx	Pinion L	Pignon G	Ritzel Linkes	
5	19216035/0	2	Cuscinetto	Bearing	Coussinet	Lager	
6	22600092/0	1	Prot. Ruote Dx	Protection, R Wheel	Protection Roue D	Schütz, Rechtes	
7	81000147/0	1	Asse Ruote Posteriori	Axle, Rear Wheels	Axe Roues Arriere	Achse, Hinterrad	
8	22570110/1	1	Pignone Dx	Pinion R	Pignon D	Ritzel Rechtes	
11	181003096/2	1	Gruppo Trazione	Gear Box	Groupe Traction	Antrieb	(General Transmission)
12	122601925/0	1	Puleggia	Pulley	Poulie	Riemenscheibe	
13	12645700/0	1	Spina	Pin	Goupille	Stift	
14	22033285/0	1	Asta Regolazione	Adjustment Rod	Tige Reglage	Verstellungstange	(General Transmission)
15	35064010/0	1	Cinghia Spzx 812	Belt Spzx 812	Courroie Spzx 812	Riemen Spzx 812	534
16	22753000/0	2	Spina	Pin	Goupille	Stift	
17	22675113/0	2	Rosetta	Washer	Rondelle	Scheibe	
20	12154510/0	1	Dado	Nut	Ecrou	Mutter	

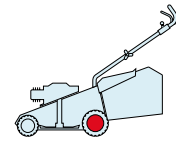
POS.	CODE	Q.TY	DESCRIZIONE	DESCRIPTION	DESCRIPTION	BESCHREIBUNG	REMARKS
25	12791011/0	1	Vite	Screw	Vis	Schraube	
26	322806625/1	1	Supporto	Support	Support	Halter	
27	12292102/0	1	Dado	Nut	Ecrou	Mutter	
28	12689500/0	1	Vite	Screw	Vis	Schraube	
29	12523050/0	1	Rosetta	Washer	Rondelle	Scheibe	
30	22601915/0	1	Puleggia	Pulley	Poulie	Riemenscheibe	
31	22806623/0	1	Supporto	Support	Support	Halter	
32	22671656/0	1	Rosetta	Washer	Rondelle	Scheibe	
33	12154510/0	1	Dado	Nut	Ecrou	Mutter	
34	12674700/0	1	Vite	Screw	Vis	Schraube	
35	12523050/0	1	Rosetta	Washer	Rondelle	Scheibe	
36	22601914/0	1	Puleggia	Pulley	Poulie	Riemenscheibe	
37	12154510/0	1	Dado	Nut	Ecrou	Mutter	

CAL 534

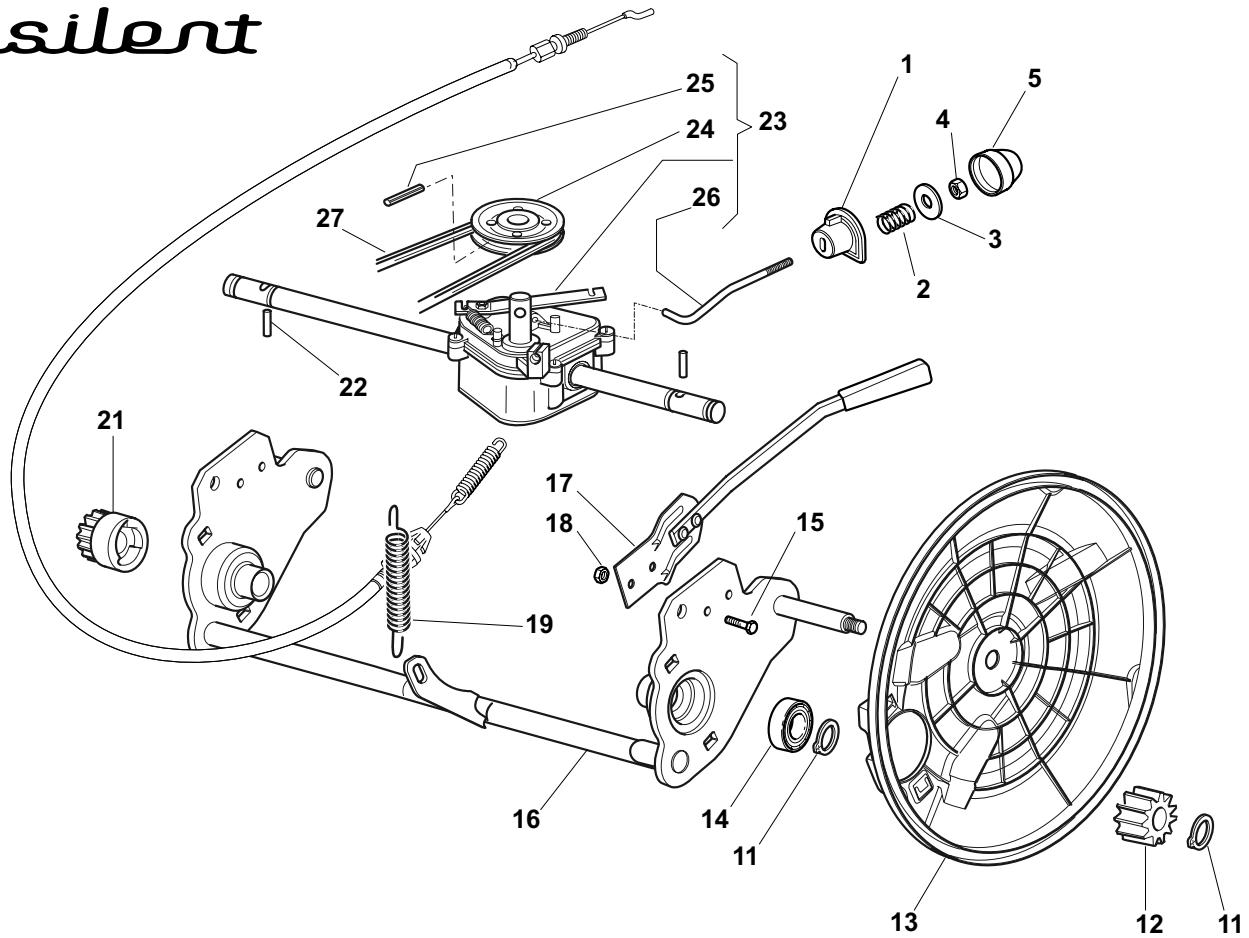
TR SIL

TR 4S SIL

W TR SIL



silent



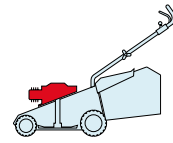
POS.	CODE	Q.TY	DESCRIZIONE	DESCRIPTION	DESCRIPTION	BESCHREIBUNG	REMARKS
1	22041957/1	1	Bussola	Bush	Douille	Buchse	
2	22450063/0	1	Molla	Spring	Ressort	Feder	
3	22680009/0	1	Rosetta	Washer	Rondelle	Scheibe	
4	12154510/0	1	Dado	Nut	Ecrou	Mutter	
5	22110230/0	1	Tappo	Cap	Bouchon	Gummistopfen	
11	12608600/0	4	Seeger	Seeger	Seeger	Seeger	
12	22570110/1	1	Pignone Dx	Pinion R	Pignon D	Ritzel Rechtes	
13	22600160/0	2	Prot. Ruote	Protection, Wheel	Protection Roue	Schütz	
14	19216035/0	2	Cuscinetto	Bearing	Coussinet	Lager	
15	12789000/0	2	Vite	Screw	Vis	Schraube	
16	381002853/2	1	Asse Ruote Posteriori	Axle, Rear Wheels	Axe Roues Arriere	Achse, Hinterrad	
17	381003329/0	1	Leva Regolazione Altezza	Lever, Height Adjustment	Levier Reglage Hauteur	Hebel, Höheverstellung	
18	12154330/0	2	Dado	Nut	Ecrou	Mutter	
19	122450454/0	1	Molla	Spring	Ressort	Feder	
21	22570120/1	1	Pignone Sx	Pinion L	Pignon G	Ritzel Linkes	
22	22753000/0	2	Spina	Pin	Goupille	Stift	
23	81003092/0	1	Gruppo Trazione	Gear Box	Groupe Traction	Antrieb	(General Transmission)
24	22601904/0	1	Puleggia	Pulley	Poulie	Riemenscheibe	
25	12645705/0	1	Spina	Pin	Goupille	Stift	
26	22033283/0	1	Asta Regolazione	Adjustment Rod	Tige Reglage	Verstellungstange	(General Transmission)
27	35063902/0	1	Cinghia Z 29.5	Belt Z 29.5	Courroie Z 29.5	Riemen Z 29.5	

CAL 534

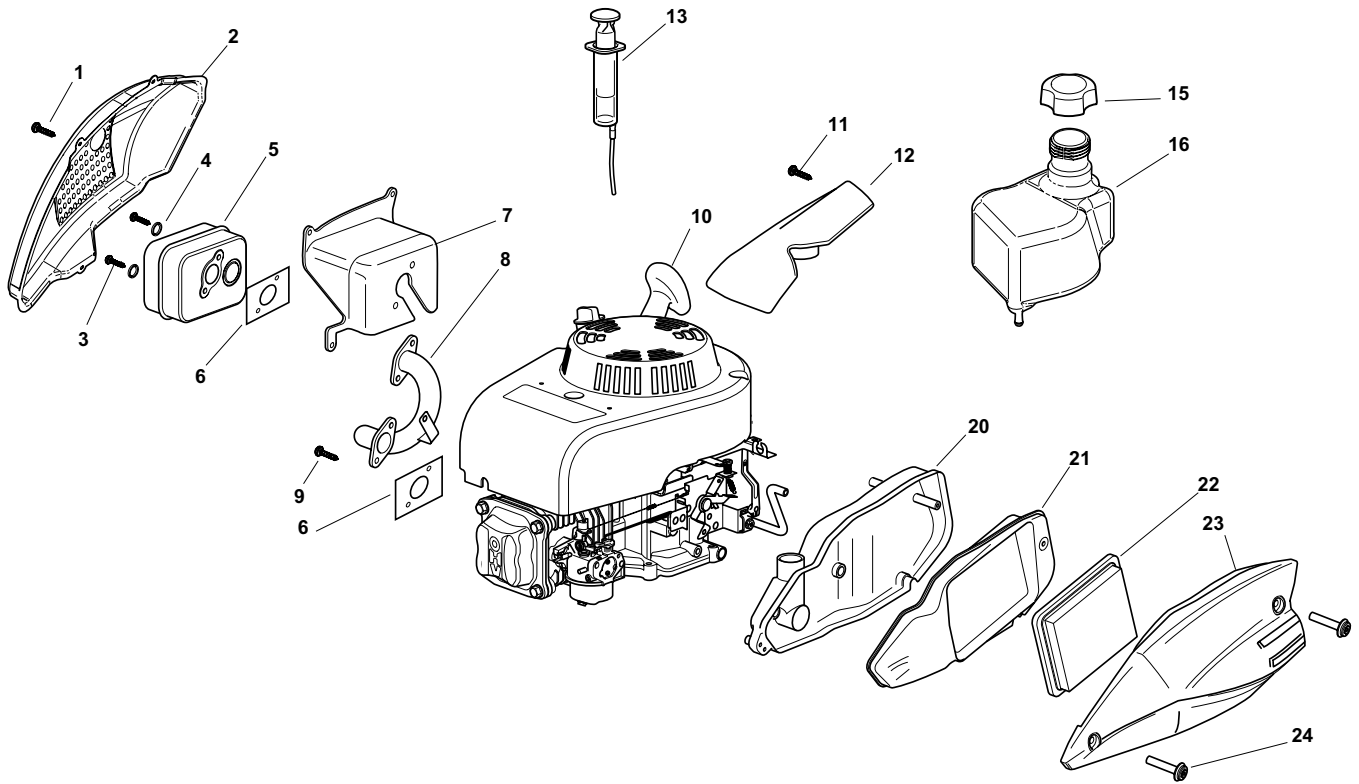
TR SIL

TR 4S SIL

W TR SIL



silent



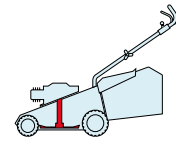
POS.	CODE	Q.TY	DESCRIZIONE	DESCRIPTION	DESCRIPTION	BESCHREIBUNG	REMARKS
1	12735111/0	3	Vite	Screw	Vis	Schraube	
2	322601007/0	1	Protezione Silenziatore	Muffler Protection	Protection Silencieux	Auspuffschutz	
3	112689590/0	2	Vite	Screw	Vis	Schraube	
4	12582100/0	2	Rosetta	Washer	Rondelle	Scheibe	
5	118550269/0	1	Silenziatore	Muffler	Silencieux	Schalldämpfer	
6	118550270/0	2	Guarnizione Silenziatore	Gasket, Muffler	Garniture Silencieux	Schalldämpferdichtung	
7	381750101/0	1	Protezione	Guard	Protection	Schutze	
8	118738233/0	1	Tubo Scarico	Exhaust Tube	Tube Echappement	Abgasungrohr	
9	12735599/0	3	Vite	Screw	Vis	Schraube	
10	118550410/0	1	Motore	Engine	Moteur	Motor	
11	12728700/0	2	Vite	Screw	Vis	Schraube	
12	322785269/0	1	Coperchio	Cover	Couvercle	Deckel	
13	18718000/0	1	Siringa	Syringe	Seringue	Spritze	
15	27790000/1	1	Tappo Serbatoio	Cap	Bouchon	Tankverschluss	
16	322735150/0	1	Serbatoio	Tank	Reservoir	Tank	
20	322785268/0	1	Base Filtro Aria	Air Cleaner Base	Base Filtre Air	Luftfilterbasis	
21	322785267/0	1	Coperchio	Cover	Couvercle	Deckel	
22	118550257/0	1	Elemento Filtrante	Air Filter	Element Filtrant	Filterelement	
23	322109744/0	1	Coperchio Filtro Aria	Air Cleaner Cover	Couvercle Filtre Air	Luftfilterdeckel	
24	381004362/0	2	Vite	Screw	Vis	Schraube	

CAL 534

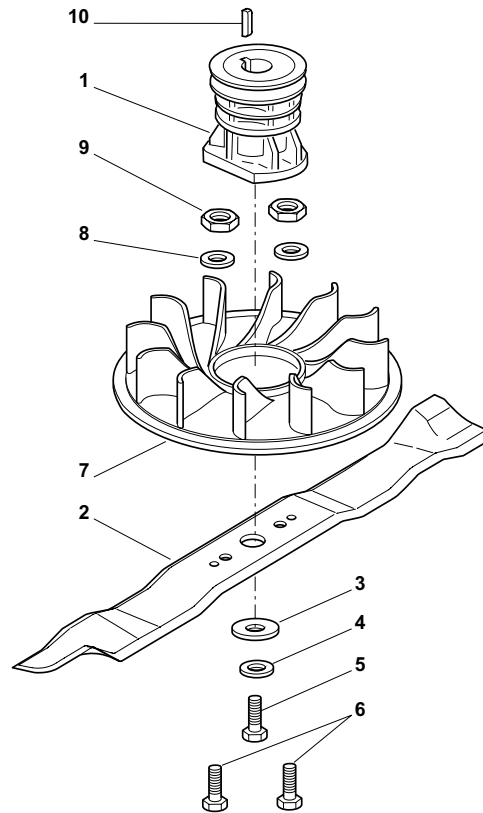
TR SIL

TR 4S SIL

W TR SIL



silent



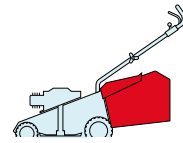
POS.	CODE	Q.TY	DESCRIZIONE	DESCRIPTION	DESCRIPTION	BESCHREIBUNG	REMARKS
1	122465607/3	1	Mozzo Con Puleggia, Albero Motore Ø 22.2	Hub With Pulley, Crankshaft Ø 22.2	Moyeu Avec Poulie, Arbre Moteur Ø 22.2	Nabe Mit Scheibe, Motorwelle Ø 22.2	
2	181004394/0	1	Coltello	Blade	Lame	Messer	
3	22160400/0	1	Disco Elastico	Elastic Washer	Rondelle Elastique	Elastischescheibe	
4	12523080/0	1	Rosetta	Washer	Rondelle	Scheibe	
5	12735698/0	1	Vite	Screw	Vis	Schraube	
6	12791400/0	2	Vite	Screw	Vis	Schraube	
7	322465634/0	1	Mozzo Girante	Hub Fan	Moyeu Ventilateur	Läufendenabe	
8	12521330/0	2	Rosetta	Washer	Rondelle	Scheibe	
9	12154510/0	2	Dado	Nut	Ecrou	Mutter	
10	12139100/0	1	Linguetta, Albero Motore Ø 22.2	Feather, Crankshaft Ø 22.2	Clavette, Arbre Moteur Ø 22.2	Keil, Motorwelle Ø 22.2	

CAL 534

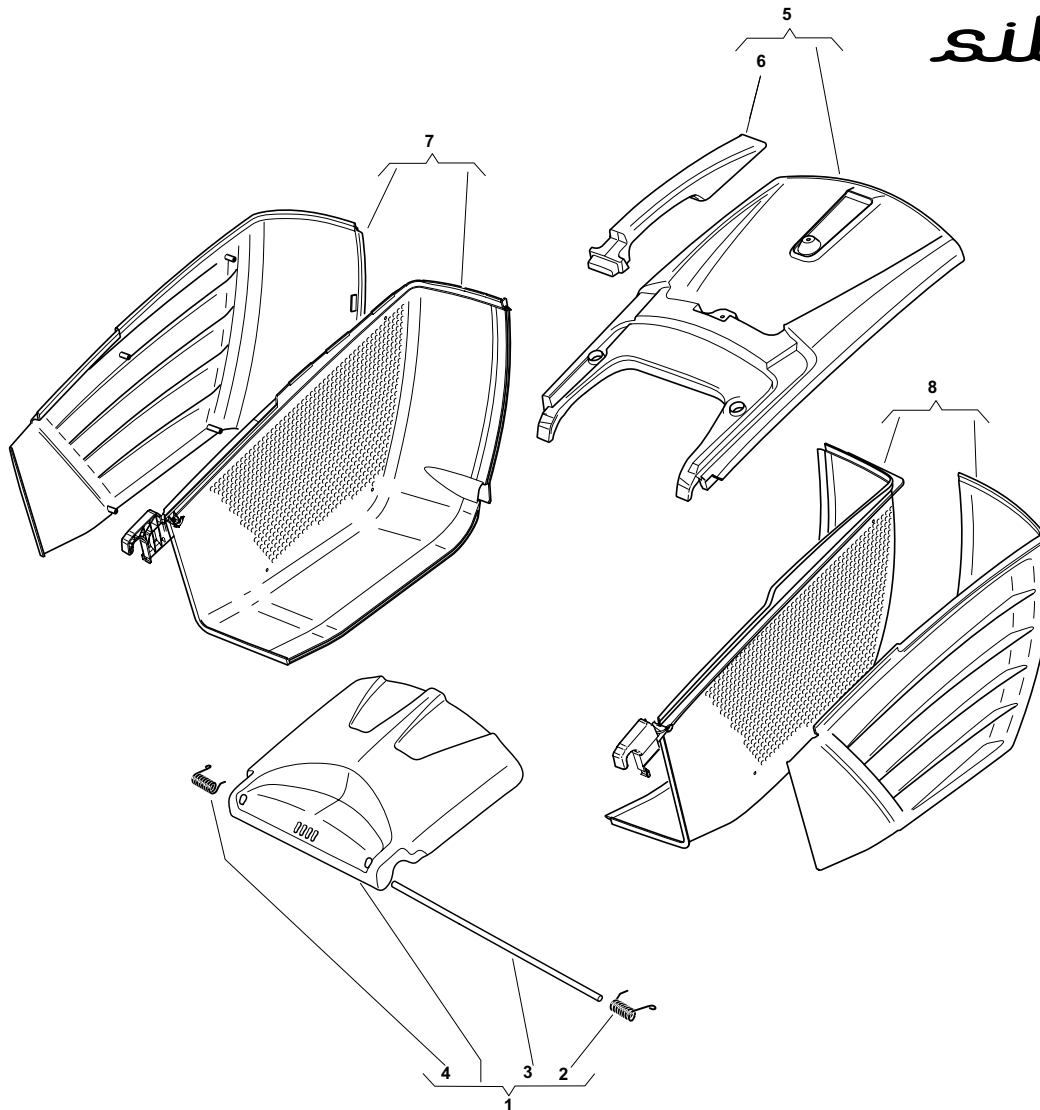
TR SIL

TR 4S SIL

W TR SIL



silent



POS.	CODE	Q.TY	DESCRIZIONE	DESCRIPTION	DESCRIPTION	BESCHREIBUNG	REMARKS
1	381008072/0	1	Parasassi, Grigio	Stone-Guard, Grey	Pare-Pierres, Gris	Prallblech, Grau	
1	381008073/0	1	Parasassi, Nero	Stone-Guard, Black	Pare-Pierres, Noir	Prallblech, Grau	
2	122450451/0	1	Molla Sx	L Spring	Ressort G	Linke Feder	
3	122517862/0	1	Perno	Pin	Pivot	Bolzen	
4	122450450/0	1	Molla Dx	R Spring	Ressort D	Rechte Feder	
5	381486000/0	1	Sacco, Parte Sup. Grigio	Grass-Box, Upper Part Grey	Sac, Partie Sup. Gris	Korb, Oberteil, Grau	
5	381486001/0	1	Sacco, Parte Sup. Nero	Grass-Box, Upper Part Black	Sac, Partie Sup. Noir	Korb, Oberteil, Schwarz	
6	322393623/0	1	Maniglia, Grigio	Handle, Grey	Poignee, Gris	Griff, Grau	
6	322393630/0	1	Maniglia, Nero	Handle, Black	Poignee, Noir	Griff, Schwarz	
7	381486002/0	1	Parte Infer. Sacco Dx - Grigio	Right, Grassbox Lower Part - Grey	Sac, Partie Inferieure Droite - Gris	Korb Unterteil (R) - Grau	
7	381486003/0	1	Parte Infer. Sacco Dx - Nero	Right, Grassbox Lower Part - Black	Sac, Partie Inferieure Droite - Noir	Korb Unterteil (R) - Schwarz	
8	381486004/0	1	Parte Infer. Sacco Sx - Grigio	Left, Grassbox Lower Part - Grey	Sac, Partie Inferieure Gauche - Gris	Korb Unterteil (L) - Grau	
8	381486005/0	1	Parte Infer. Sacco Sx - Nero	Left, Grassbox Lower Part - Black	Sac, Partie Inferieure Gauche - Noir	Korb Unterteil (L) - Schwarz	