

# Genuine Spare Parts

Catalogo delle parti di ricambio  
Spare parts catalogue  
Catalogue des pieces de rechange  
Ersatzteilkatalog

# 2010

- Use GLOBAL GARDEN PRODUCT Genuine Spare Parts specified in the parts list for repair and/or replacement.
- The contents described in the parts list may change due to improvement.
- The drawings of the spare parts are only indicative and might not represent the part in question exactly.
- The indications "right" - "left" - "front" - "rear" refer to the position of the operator when using the machine.
- When placing orders of parts for repair and/or replacement, make sure that the illustrated parts list is the one applying to the machine's year of manufacture, as shown on the identification plate attached to the machine.

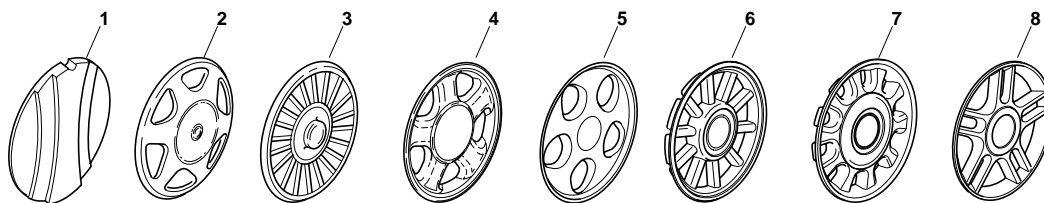
COPYRIGHT by GLOBAL GARDEN PRODUCTS

All rights reserved. No part of this material may be reproduced or transmitted, in any form or by any means, electronic or mechanical, including photocopying, recording or by any information storage and retrieval system, without permission in writing from GLOBAL GARDEN PRODUCTS.



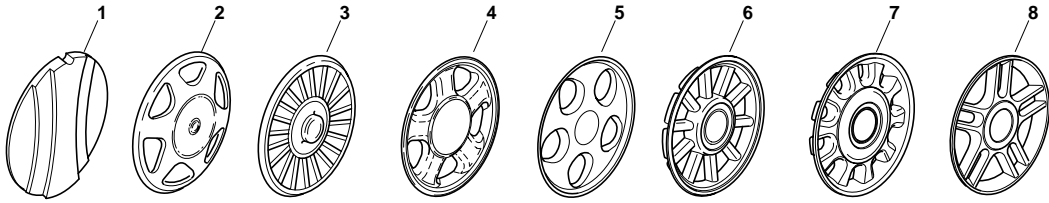
**GLOBAL GARDEN PRODUCTS**

## ENCLOSURE 1



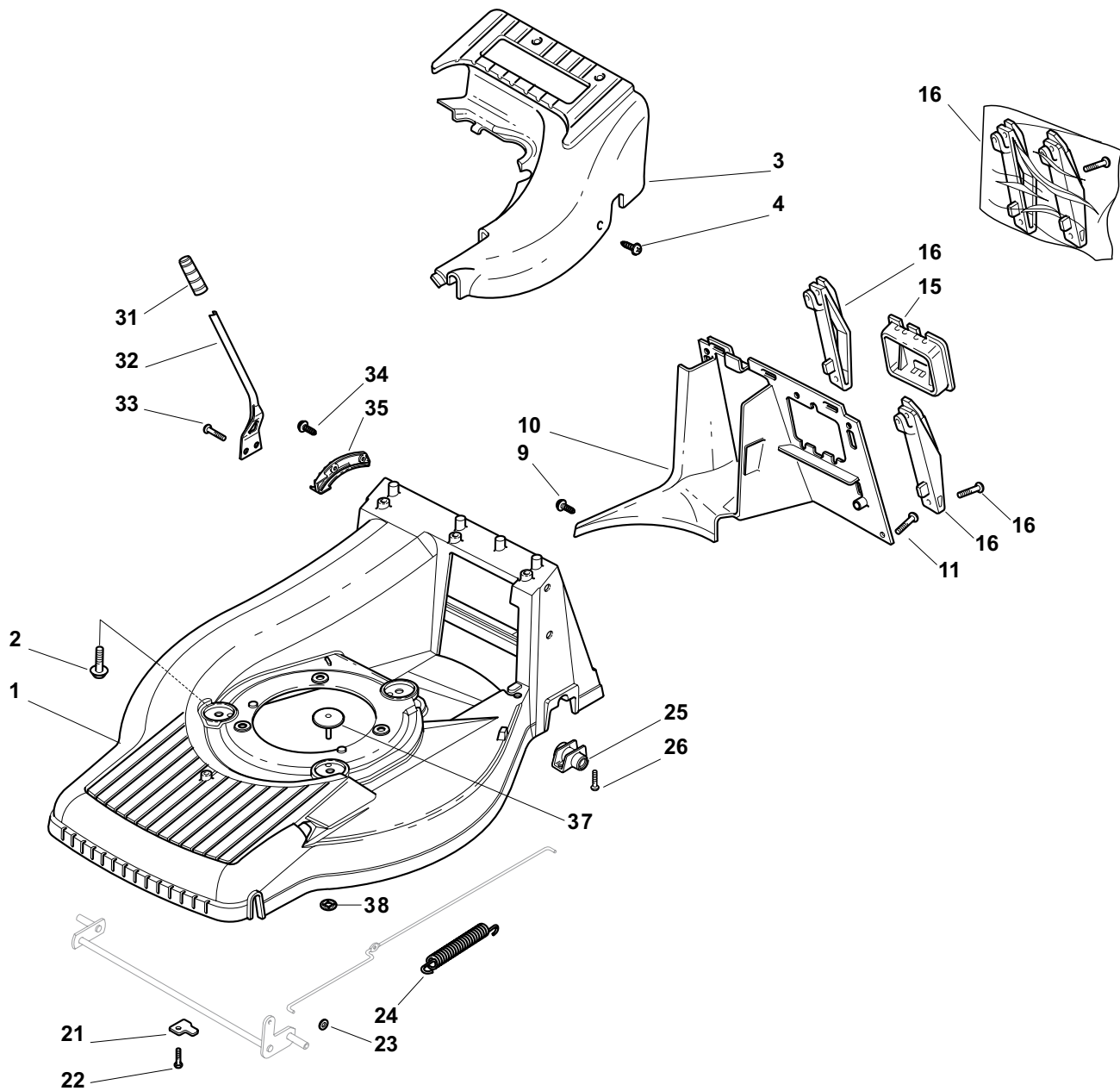
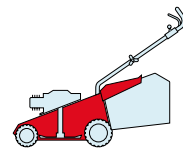
POS.	CODE	Q.TY	DESCRIZIONE	DESCRIPTION	DESCRIPTION	BESCHREIBUNG	REMARKS
1	22110252/1		Coprimozzo Bianco	Hub Cap White	Couvre-Moyeu	Radkappe Weiße	
1	22110254/1		Coprimozzo Giallo	Hub Cap Yellow	Couvre-Moyeu	Radkappe Gelbe	
1	22110255/1		Coprimozzo Rosso	Hub Cap Red	Couvre-Moyeu	Radkappe Rote	
2	22110344/0		Coprimozzo Bianco	Hub Cap White	Couvre-Moyeu	Radkappe Weiße	
2	22110395/0		Coprimozzo Grigio	Hub Cap Grey	Couvre-Moyeu Gris	Radkappe Grau	
3	22110347/0		Coprimozzo Grigio	Hub Cap Grey	Couvre-Moyeu Gris	Radkappe Grau	
4	22110381/0		Coprimozzo Grigio	Hub Cap Grey	Couvre-Moyeu Gris	Radkappe Grau	
5	22110416/0		Coprimozzo Grigio	Hub Cap Grey	Couvre-Moyeu Gris	Radkappe Grau	
6	22110495/0		Coprimozzo Grigio	Hub Cap Grey	Couvre-Moyeu Gris	Radkappe Grau	
7	22110493/0		Coprimozzo Grigio	Hub Cap Grey	Couvre-Moyeu Gris	Radkappe Grau	
8	22110491/0		Coprimozzo Grigio	Hub Cap Grey	Couvre-Moyeu Gris	Radkappe Grau	

## ENCLOSURE 2



POS.	CODE	Q.TY	DESCRIZIONE	DESCRIPTION	DESCRIPTION	BESCHREIBUNG	REMARKS
1	22110251/0		Coprismozzo Bianco	Hub Cap White	Couvre-Moyeu	Radkappe Weiße	
1	22110253/0		Coprismozzo Giallo	Hub Cap Yellow	Couvre-Moyeu	Radkappe Gelbe	
1	22110256/0		Coprismozzo Rosso	Hub Cap Red	Couvre-Moyeu	Radkappe Rote	
2	22110313/0		Coprismozzo Bianco	Hub Cap White	Couvre-Moyeu	Radkappe Weiße	
2	22110314/0		Coprismozzo Grigio	Hub Cap Grey	Couvre-Moyeu Gris	Radkappe Grau	
3	22110348/0		Coprismozzo Grigio	Hub Cap Grey	Couvre-Moyeu Gris	Radkappe Grau	
4	22110382/0		Coprismozzo Grigio	Hub Cap Grey	Couvre-Moyeu Gris	Radkappe Grau	
5	22110417/0		Coprismozzo Grigio	Hub Cap Grey	Couvre-Moyeu Gris	Radkappe Grau	
6	22110496/0		Coprismozzo Grigio	Hub Cap Grey	Couvre-Moyeu Gris	Radkappe Grau	
7	22110494/0		Coprismozzo Grigio	Hub Cap Grey	Couvre-Moyeu Gris	Radkappe Grau	
8	22110492/0		Coprismozzo Grigio	Hub Cap Grey	Couvre-Moyeu Gris	Radkappe Grau	

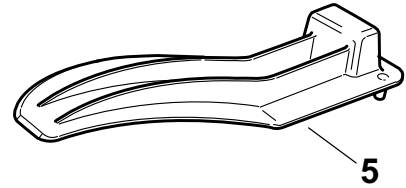
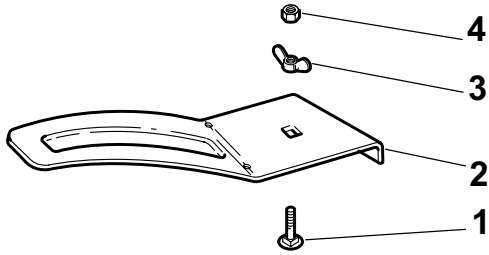
TU			
454	504	554	
TR	TR-E	TR 4S	TR-E 4S



POS.	CODE	Q.TY	DESCRIZIONE	DESCRIPTION	DESCRIPTION	BESCHREIBUNG	REMARKS
1	381002656/1	1	Chassis Giallo	Deck Yellow	Châssis Jaune	Gehäuse Gelb	454
1	81002657/0	1	Chassis Giallo	Deck Yellow	Châssis Jaune	Gehäuse Gelb	504
1	81002660/0	1	Chassis Giallo	Deck Yellow	Châssis Jaune	Gehäuse Gelb	554
2	112735108/1	3	Vite	Screw	Vis	Schraube	
3	22060151/0	1	Carter, Giallo	Protection, Yellow	Protection, Jaune	Schutz, Gelb	454
3	22060152/0	1	Carter, Giallo	Protection, Yellow	Protection, Jaune	Schutz, Gelb	504
3	22060156/0	1	Carter, Giallo	Protection, Yellow	Protection, Jaune	Schutz, Gelb	554
3	22060154/0	1	Carter, Giallo	Protection, Yellow	Protection, Jaune	Schutz, Gelb	554 Avs
4	12728300/0	3	Vite	Screw	Vis	Schraube	
9	12728300/0	1	Vite	Screw	Vis	Schraube	
10	22108279/0	1	Convogl. Posteriore	Rear Conveyor Assy	Ens. Convoyeur Post.	Hinterleitblechsatz	454
10	22108276/0	1	Convogl. Posteriore	Rear Conveyor Assy	Ens. Convoyeur Post.	Hinterleitblechsatz	454 Mulching

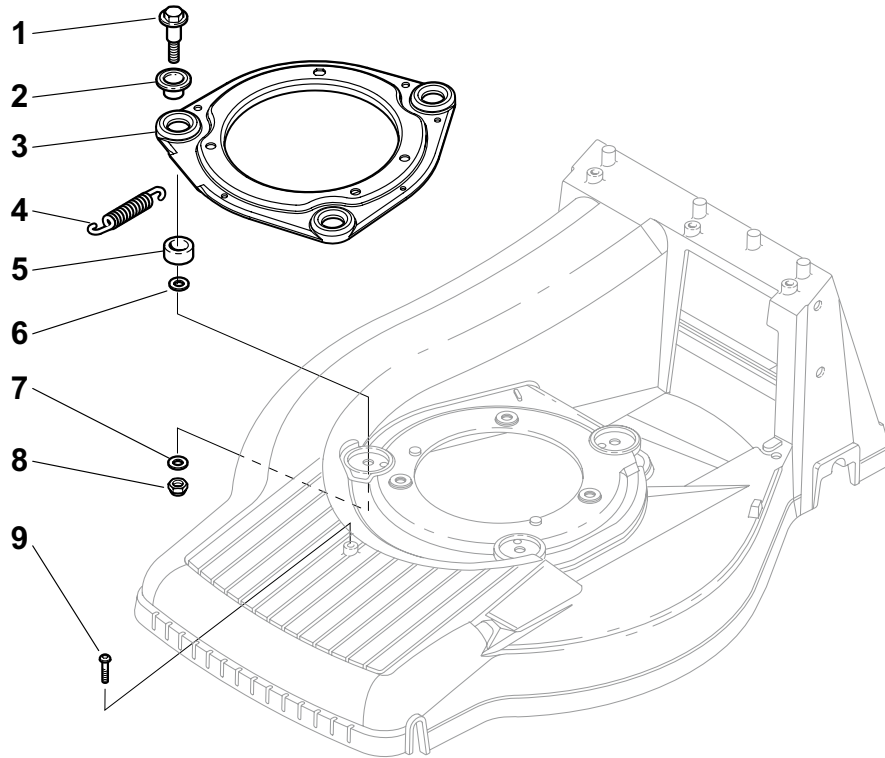
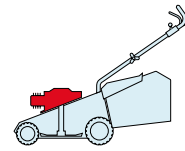
POS.	CODE	Q.TY	DESCRIZIONE	DESCRIPTION	DESCRIPTION	BESCHREIBUNG	REMARKS
10	22108277/0	1	Convogl. Posteriore	Rear Conveyor Assy	Ens. Convoyeur Post.	Hinterleitblechsatz	504 - 554
11	12735664/0	3	Vite	Screw	Vis	Schraube	
15	22109531/0	1	Coperchio	Cover	Couvercle	Deckel	
16	81008658/1	1	Dotazione Supporti	Outfit, Supports	Dotation Support	Satz, Halter	
21	22545160/0	2	Piastrina	Plate	Plaquette	Plättchen	
22	12735664/0	2	Vite	Screw	Vis	Schraube	
23	12604898/0	2	Fissatore A Corona	Crown Fastener	Fixateur A Couronne	Kronescheibe	
24	22446181/0	1	Molla	Spring	Ressort	Feder	
26	12735664/0	4	Vite	Screw	Vis	Schraube	
25	22785153/0	2	Supporto Gruppo Trazione	Support, Gear Box	Support Gr. Traction	Halter, Antrieb	
31	22399808/0	1	Manopolina	Knob	Poignée	Griff	
32	22321515/0	1	Leva Regolazione Altezza	Lever, Height Adjustment	Levier Reglage Hauteur	Hebel, Höneverstellung	
33	12735661/0	2	Vite	Screw	Vis	Schraube	
34	12728300/0	2	Vite	Screw	Vis	Schraube	
35	22735563/0	1	Settore Di Regolazione	Sector, Height Adjustment	Secteur Reglage	Sektor, Höneverstellung	
37	22820057/0	1	Tappo Nero	Cap	Bouchon	Gummistopfen	554 Avs
37	22820055/0	1	Tappo	Cap	Bouchon	Gummistopfen	554 Avs
38	12604899/0	1	Fissatore A Corona	Crown Fastener	Fixateur A Couronne	Kronescheibe	554 Avs

TU			
454	504		554
TR	TR-E	TR 4S	TR-E 4S



POS.	CODE	Q.TY	DESCRIZIONE	DESCRIPTION	DESCRIPTION	BESCHREIBUNG	REMARKS
1	12818690/0	1	Vite	Screw	Vis	Schraube	454
2	22140229/0	1	Deflettore	Deflector	Deflecteur	Deflektor	454
3	22399807/0	1	Manopolina	Knob	Poignée	Griff	454
4	12293200/0	1	Dado	Nut	Ecrou	Mutter	454
5	22140231/0	1	Deflettore	Deflector	Deflecteur	Deflektor	504
5	22140232/0	1	Deflettore	Deflector	Deflecteur	Deflektor	554

<b>TU</b>			
<b>454</b>	<b>504</b>	<b>554</b>	
<b>TR</b>	<b>TR-E</b>	<b>TR 4S</b>	<b>TR-E 4S</b>



POS.	CODE	Q.TY	DESCRIZIONE	DESCRIPTION	DESCRIPTION	BESCHREIBUNG	REMARKS
1	22524329/0	3	Perno	Pin	Pivot	Bolzen	
2	22672201/0	3	Rosetta	Washer	Rondelle	Scheibe	
3	22207225/0	1	Flangia	Flange	Bride	Flansch	
4	22450445/0	1	Molla	Spring	Ressort	Feder	
5	22250012/0	3	Gommino	Grommet	Caoutchouc	Gummi	
6	22671651/0	3	Rosetta	Washer	Rondelle	Scheibe	
7	12523060/0	3	Rosetta	Washer	Rondelle	Scheibe	
8	12155000/0	3	Dado	Nut	Ecrou	Mutter	
9	12735661/0	1	Vite	Screw	Vis	Schraube	

TU

454

504

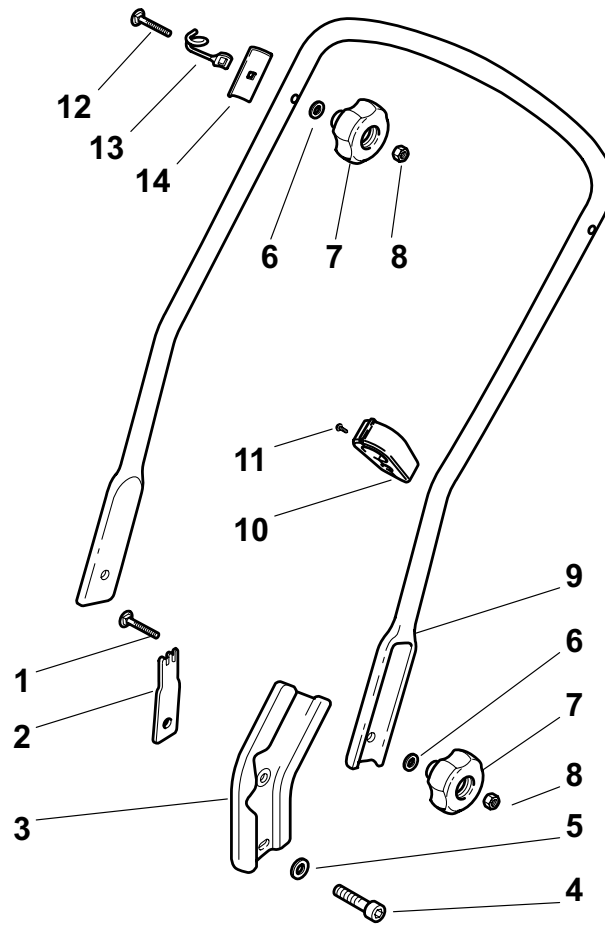
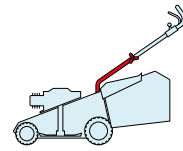
554

TR

TR-E

TR 4S

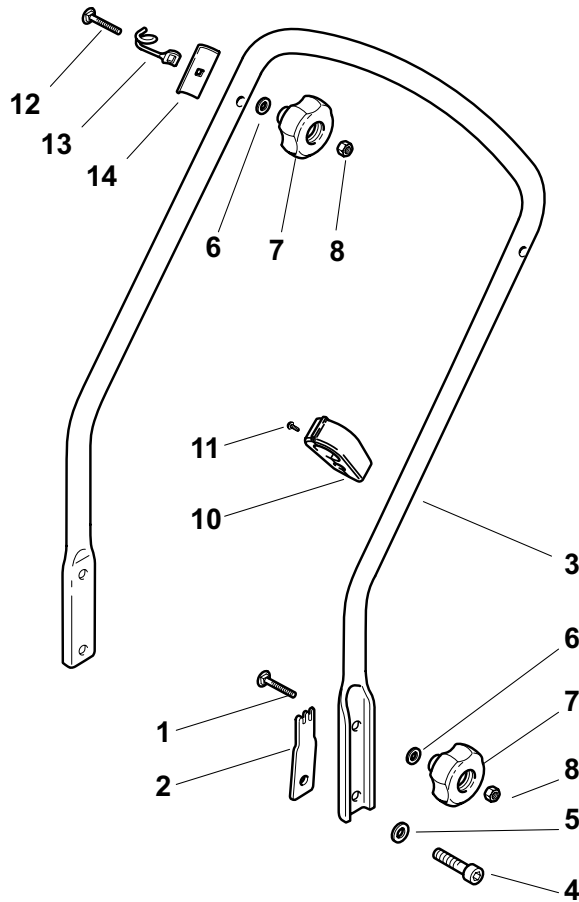
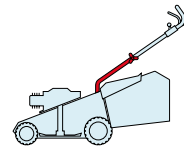
TR-E 4S



POS.	CODE	Q.TY	DESCRIZIONE	DESCRIPTION	DESCRIPTION	BESCHREIBUNG	REMARKS
1	12820655/0	2	Vite	Screw	Vis	Schraube	
2	22551635/0	1	Piastrina Fissaggio Manico	Plate For Handle	Plaquette Fixage Mancheron	Platte Holmbefestigung	
3	22778405/0	2	Supporto	Support	Support	Halter	
4	12760515/0	2	Vite	Screw	Vis	Schraube	
5	12521350/0	2	Rosetta	Washer	Rondelle	Scheibe	
6	12521350/0	4	Rosetta	Washer	Rondelle	Scheibe	
6	81002239/0	1	Sacco, Tela	Box, Fabric	Sac, Toile	Sack, Tuck	
7	22399810/0	4	Manopolina	Knob	Poignée	Griff	
8	12361005/0	4	Dado	Nut	Ecrou	Mutter	
9	81006612/0	1	Manico, Parte Inf	Handle, Lower Part	Mancheron, Partie Inferieure	Holm, Unterteil	454
9	81006613/0	1	Manico, Parte Inf	Handle, Lower Part	Mancheron, Partie Inferieure	Holm, Unterteil	504
10	22192001/0	1	Fascetta Ancoraggio	Anchor Clamp	Collier Ancre	Bowdenzughalter	
11	12728691/0	1	Vite	Screw	Vis	Schraube	
12	12820655/0	2	Vite	Screw	Vis	Schraube	
13	22430311/0	1	Molla Guida	Guide Spring	Ressort De Guide	Feder Führer	
14	22545137/0	2	Piastrina Fissaggio Manico	Plate For Handle Fastening	Plaquette Fixage Mancheron	Platte Holmbefestigung	

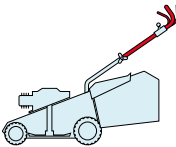
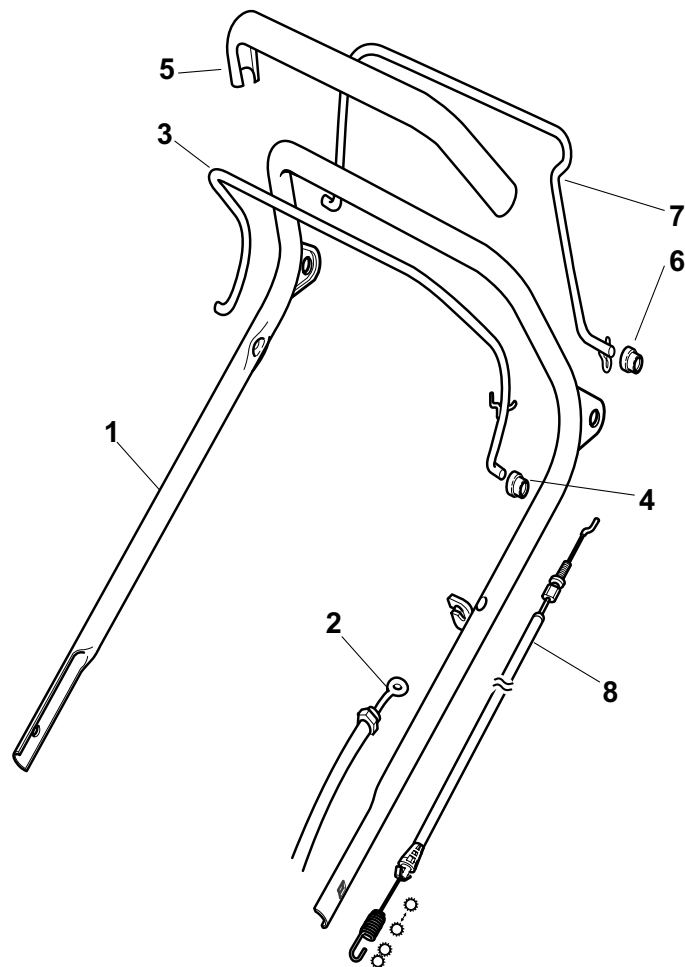


<b>TU</b>			
<b>454</b>	<b>504</b>	<b>554</b>	
<b>TR</b>	<b>TR-E</b>	<b>TR 4S</b>	<b>TR-E 4S</b>



POS.	CODE	Q.TY	DESCRIZIONE	DESCRIPTION	DESCRIPTION	BESCHREIBUNG	REMARKS
1	12820655/0	2	Vite	Screw	Vis	Schraube	
2	22551635/0	2	Piastrina Fissaggio Manico	Plate For Handle Fastening	Plaquette Fixage Mancheron	Platte Holmbefestigung	
3	81006641/0	1	Manico, Parte Inf	Handle, Lower Part	Mancheron, Partie Inferieure	Holm, Unterteil	
4	12760515/0	2	Vite	Screw	Vis	Schraube	
5	12521350/0	2	Rosetta	Washer	Rondelle	Scheibe	
6	12521350/0	4	Rosetta	Washer	Rondelle	Scheibe	
7	22399810/0	4	Manopolina	Knob	Poignée	Griff	
8	12361005/0	4	Dado	Nut	Ecrou	Mutter	
12	12820655/0	2	Vite	Screw	Vis	Schraube	
13	22430311/0	1	Molla Guida	Guide Spring	Ressort De Guide	Feder Führer	
14	22545137/0	2	Piastrina Fissaggio Manico	Plate For Handle Fastening	Plaquette Fixage Mancheron	Platte Holmbefestigung	

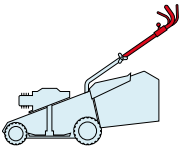
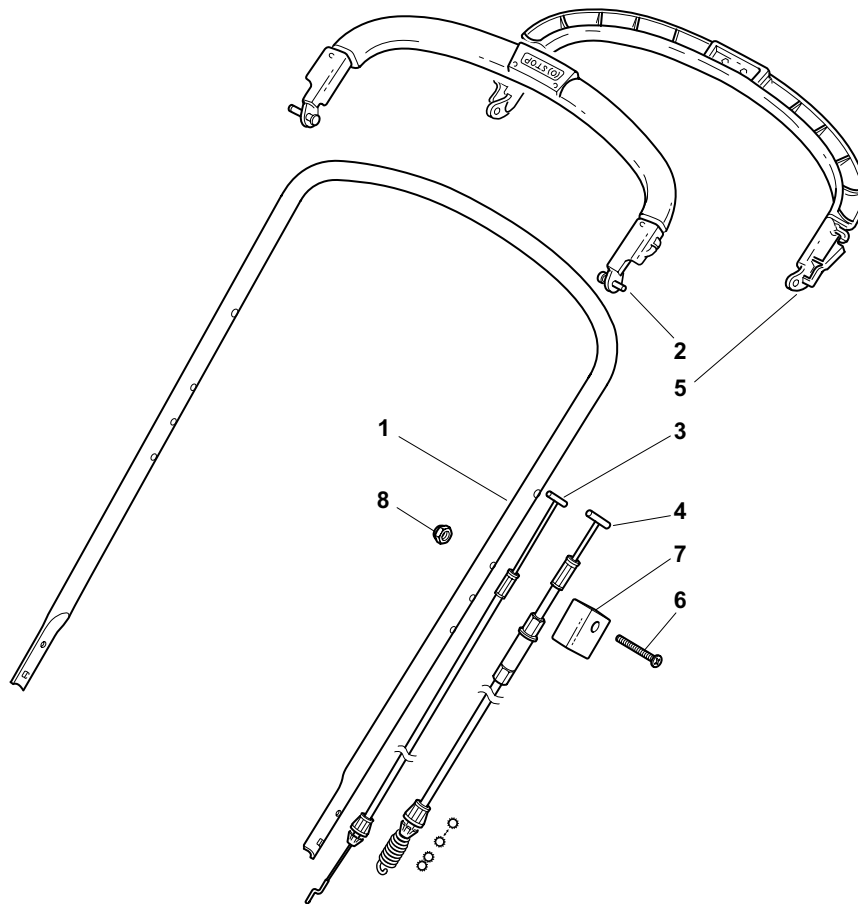
<b>TU</b>			
<b>454</b>	<b>504</b>		<b>554</b>
<b>TR</b>	<b>TR-E</b>	<b>TR 4S</b>	<b>TR-E 4S</b>

POS.	CODE	Q.TY	DESCRIZIONE	DESCRIPTION	DESCRIPTION	BESCHREIBUNG	REMARKS
1	81007024/0	1	Manico, Parte Sup	Handle, Upper Part	Mancheron, Partie Supérieure	Holm, Oberteil	
2	81000631/0	1	Cavo Freno Motore	Cable, Thread Engine Brake	Cable Frein Moteur	Kabel, Motorbremse	454 (B&S 450-500 Series)
2	81000634/0	1	Cavo Freno Motore	Cable, Thread Engine Brake	Cable Frein Moteur	Kabel, Motorbremse	454 (B&S 625-675 Series)
2	81000756/0	1	Cavo Freno Motore	Cable, Thread Engine Brake	Cable Frein Moteur	Kabel, Motorbremse	454 (Ggp 150cc)
2	81000634/0	1	Cavo Freno Motore	Cable, Thread Engine Brake	Cable Frein Moteur	Kabel, Motorbremse	454 (Ggp 140cc)
2	81000634/0	1	Cavo Freno Motore	Cable, Thread Engine Brake	Cable Frein Moteur	Kabel, Motorbremse	454 (Ggp 160cc)
2	81000634/0	1	Cavo Freno Motore	Cable, Thread Engine Brake	Cable Frein Moteur	Kabel, Motorbremse	454 (Honda Gcv 135-160-190)
2	81000634/0	1	Cavo Freno Motore	Cable, Thread Engine Brake	Cable Frein Moteur	Kabel, Motorbremse	504 (B&S 450-500 Series)
2	81000634/0	1	Cavo Freno Motore	Cable, Thread Engine Brake	Cable Frein Moteur	Kabel, Motorbremse	504 (B&S 625-675 Series)
2	81000756/0	1	Cavo Freno Motore	Cable, Thread Engine Brake	Cable Frein Moteur	Kabel, Motorbremse	504 (Ggp 150cc)
2	81000634/0	1	Cavo Freno Motore	Cable, Thread Engine Brake	Cable Frein Moteur	Kabel, Motorbremse	504 (Ggp 160cc)
2	81000634/0	1	Cavo Freno Motore	Cable, Thread Engine Brake	Cable Frein Moteur	Kabel, Motorbremse	504 (Ggp 196cc)
2	81000634/0	1	Cavo Freno Motore	Cable, Thread Engine Brake	Cable Frein Moteur	Kabel, Motorbremse	504 (Honda Gcv 135-160-190)
2	81000642/1	1	Cavo Freno Motore	Cable, Thread Engine Brake	Cable Frein Moteur	Kabel, Motorbremse	554 (B&S 625-675 Series)

POS.	CODE	Q.TY	DESCRIZIONE	DESCRIPTION	DESCRIPTION	BESCHREIBUNG	REMARKS
2	181030006/0	1	Cavo Freno Motore	Cable, Thread Engine Brake	Cable Frein Moteur	Kabel, Motorbremse	554 (B&S 700 Series)
2	81000642/1	1	Cavo Freno Motore	Cable, Thread Engine Brake	Cable Frein Moteur	Kabel, Motorbremse	554 (Ggp 140cc)
2	81000756/0	1	Cavo Freno Motore	Cable, Thread Engine Brake	Cable Frein Moteur	Kabel, Motorbremse	554 (Ggp 150cc)
2	81000642/1	1	Cavo Freno Motore	Cable, Thread Engine Brake	Cable Frein Moteur	Kabel, Motorbremse	554 (Ggp 160cc)
2	81000642/1	1	Cavo Freno Motore	Cable, Thread Engine Brake	Cable Frein Moteur	Kabel, Motorbremse	554 (Ggp 196cc)
2	81000642/1	1	Cavo Freno Motore	Cable, Thread Engine Brake	Cable Frein Moteur	Kabel, Motorbremse	554 (Honda Gcv 135-160-190)
3	81003291/3	1	Leva Freno Motore	Lever, Engine Brake	Levier Frein Moteur	Hebel, Motorbremse	
4	22041966/0	2	Bussola	Bush	Douille	Buchse	
5	22291050/0	1	Impugnatura Manico Nera	Handgrip Black	Poignée Noire	Handgriff Schwarz	
6	22041965/1	2	Bussola	Bush	Douille	Buchse	
7	81003288/1	1	Leva Trazione	Lever, Driving	Levier Traction	Hebel, Antrieb	
8	381030008/0	1	Cavo Comando Trazione	Cable, Rear Drive	Câble, Commande Traction	Kabel, Antrieb	

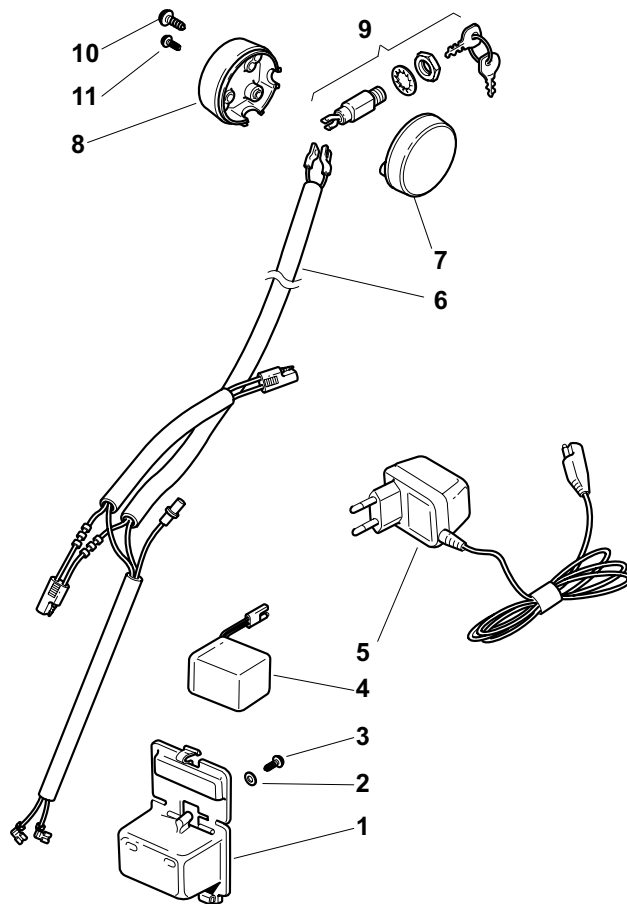
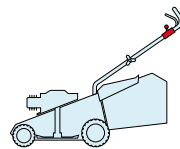
<b>TU</b>			
<b>454</b>	<b>504</b>		<b>554</b>
<b>TR</b>	<b>TR-E</b>	<b>TR 4S</b>	<b>TR-E 4S</b>

POS.	CODE	Q.TY	DESCRIZIONE	DESCRIPTION	DESCRIPTION	BESCHREIBUNG	REMARKS
1	81006616/1	1	Manico, Parte Sup	Handle, Upper Part	Mancheron, Partie Supérieure	Holm, Oberteil	454
1	81006618/1	1	Manico, Parte Sup	Handle, Upper Part	Mancheron, Partie Supérieure	Holm, Oberteil	504 - 554
2	81003298/1	1	Leva Freno Motore	Lever, Engine Brake	Levier Frein Moteur	Hebel, Motorbremse	
3	81000685/0	1	Cavo Freno Motore	Cable, Thread Engine Brake	Cable Frein Moteur	Kabel, Motorbremse	454 (B&S 450-500 Series)
3	81000685/0	1	Cavo Freno Motore	Cable, Thread Engine Brake	Cable Frein Moteur	Kabel, Motorbremse	454 (B&S 625-675 Series)
3	81000707/0	1	Cavo Freno Motore	Cable, Thread Engine Brake	Cable Frein Moteur	Kabel, Motorbremse	454 (Ggp 150cc)
3	81000685/0	1	Cavo Freno Motore	Cable, Thread Engine Brake	Cable Frein Moteur	Kabel, Motorbremse	454 (Ggp 140cc)
3	81000685/0	1	Cavo Freno Motore	Cable, Thread Engine Brake	Cable Frein Moteur	Kabel, Motorbremse	454 (Ggp 160cc)
3	81000685/0	1	Cavo Freno Motore	Cable, Thread Engine Brake	Cable Frein Moteur	Kabel, Motorbremse	454 (Honda Gcv 135-160-190)
3	81000686/0	1	Cavo Freno Motore	Cable, Thread Engine Brake	Cable Frein Moteur	Kabel, Motorbremse	504 (B&S 450-500 Series)
3	81000688/0	1	Cavo Freno Motore	Cable, Thread Engine Brake	Cable Frein Moteur	Kabel, Motorbremse	504 (B&S 625-675 Series)
3	181000777/0	1	Cavo Freno Motore	Cable, Thread Engine Brake	Cable Frein Moteur	Kabel, Motorbremse	504 (Ggp 150cc)
3	81000688/0	1	Cavo Freno Motore	Cable, Thread Engine Brake	Cable Frein Moteur	Kabel, Motorbremse	504 (Ggp 140cc)
3	81000688/0	1	Cavo Freno Motore	Cable, Thread Engine Brake	Cable Frein Moteur	Kabel, Motorbremse	504 (Ggp 160cc)
3	81000688/0	1	Cavo Freno Motore	Cable, Thread Engine Brake	Cable Frein Moteur	Kabel, Motorbremse	504 (Ggp 196cc)
3	81000687/0	1	Cavo Freno Motore	Cable, Thread Engine Brake	Cable Frein Moteur	Kabel, Motorbremse	504 (Honda Gcv 135-160-190)

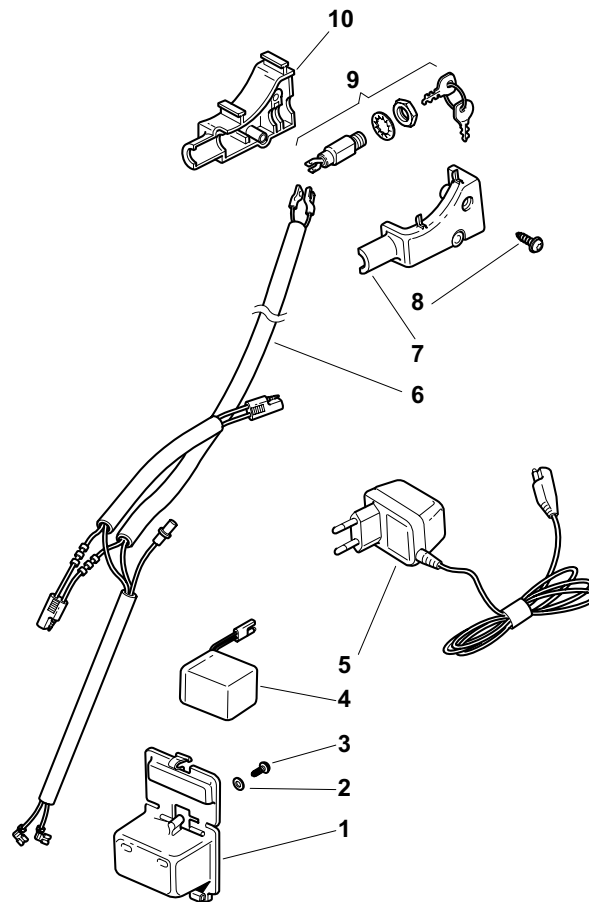
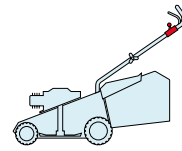
POS.	CODE	Q.TY	DESCRIZIONE	DESCRIPTION	DESCRIPTION	BESCHREIBUNG	REMARKS
3	81000688/0	1	Cavo Freno Motore	Cable, Thread Engine Brake	Cable Frein Moteur	Kabel, Motorbremse	554 (B&S 625-675 Series)
3	181000777/0	1	Cavo Freno Motore	Cable, Thread Engine Brake	Cable Frein Moteur	Kabel, Motorbremse	554 (B&S 700 Series)
3	81000688/0	1	Cavo Freno Motore	Cable, Thread Engine Brake	Cable Frein Moteur	Kabel, Motorbremse	554 (Ggp 140cc)
3	181000777/0	1	Cavo Freno Motore	Cable, Thread Engine Brake	Cable Frein Moteur	Kabel, Motorbremse	554 (Ggp 150cc)
3	81000688/0	1	Cavo Freno Motore	Cable, Thread Engine Brake	Cable Frein Moteur	Kabel, Motorbremse	554 (Ggp 160cc)
3	81000688/0	1	Cavo Freno Motore	Cable, Thread Engine Brake	Cable Frein Moteur	Kabel, Motorbremse	554 (Ggp 196cc)
3	81000688/0	1	Cavo Freno Motore	Cable, Thread Engine Brake	Cable Frein Moteur	Kabel, Motorbremse	554 (Honda Gcv 135-160-190)
4	81000697/0	1	Cavo Comando Trazione	Cable, Rear Drive	Câble, Commande Traction	Kabel, Antrieb	
5	81003297/1	1	Leva Trazione	Driving Lever	Levier Traction	Antriebhebel	
6	12727783/0	1	Vite	Screw	Vis	Schraube	
7	22551640/0	1	Piastrina	Plate	Plaquette	Plättchen	
8	12154510/0	1	Dado	Nut	Ecrou	Mutter	

<b>TU</b>			
<b>454</b>	<b>504</b>	<b>554</b>	
<b>TR</b>	<b>TR-E</b>	<b>TR 4S</b>	<b>TR-E 4S</b>



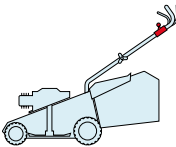
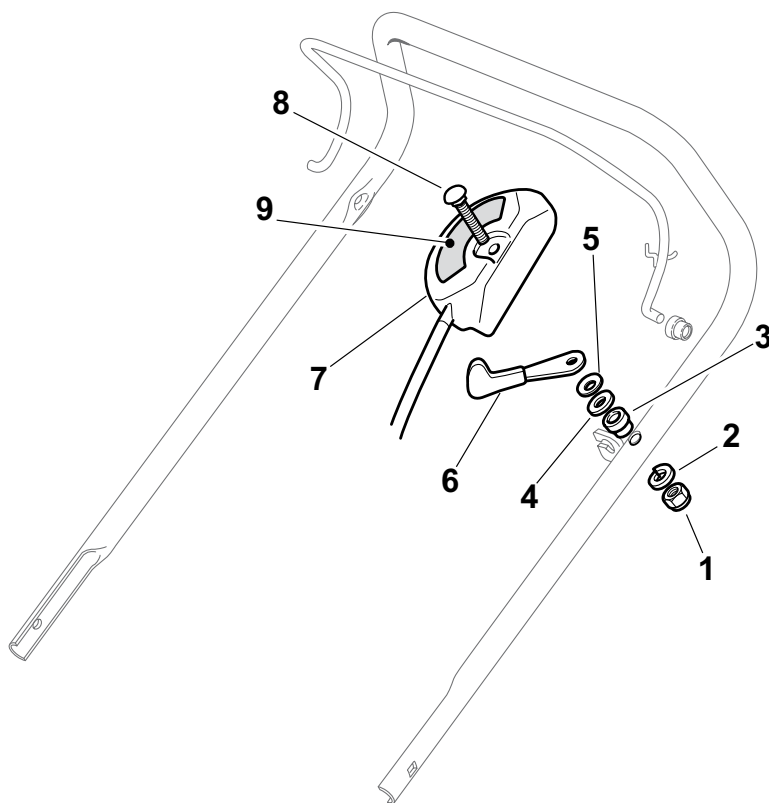
POS.	CODE	Q.TY	DESCRIZIONE	DESCRIPTION	DESCRIPTION	BESCHREIBUNG	REMARKS
1	22109533/0	1	Contenitore Batteria	Battery Box	Conteneur De Batterie	Batterie Behälter	
2	12523040/0	1	Rosetta	Washer	Rondelle	Scheibe	
3	12728691/0	1	Vite	Screw	Vis	Schraube	
4	18120052/0	1	Batteria	Battery	Batterie	Batterie	
5	18204120/0	1	Carica Batteria	Battery Charger	Chargeur De Batterie	Ladgerät	
5	18204121/0	1	Carica Batteria	Battery Charger	Chargeur De	Ladgerät	(Uk)
6	18204195/0	1	Cavo Avviamento	Cable, Start	Cable Démarrage	Kabel, Start	
7	22722801/0	1	Protezione Sx	L Protection	Protection G	Linke Schutz	
8	22722800/0	1	Protezione Dx	R Protection	Protection D	Rechte Schutz	
9	18450050/0	1	Interruttore	Switch	Interrupteur	Schalter	
10	12728702/0	2	Vite	Screw	Vis	Schraube	
11	12728691/0	1	Vite	Screw	Vis	Schraube	

<b>TU</b>			
<b>454</b>	<b>504</b>	<b>554</b>	
<b>TR</b>	<b>TR-E</b>	<b>TR 4S</b>	<b>TR-E 4S</b>



POS.	CODE	Q.TY	DESCRIZIONE	DESCRIPTION	DESCRIPTION	BESCHREIBUNG	REMARKS
1	22109533/0	1	Contenitore Batteria	Battery Box	Conteneur De Batterie	Batterie Behälter	
2	12523040/0	1	Rosetta	Washer	Rondelle	Scheibe	
3	12728691/0	1	Vite	Screw	Vis	Schraube	
4	18120052/0	1	Batteria	Battery	Batterie	Batterie	
5	18204120/0	1	Carica Batteria	Battery Charger	Chargeur De Batterie	Ladgerät	
5	18204121/0	1	Carica Batteria	Battery Charger	Chargeur De	Ladgerät	(UK)
6	18204195/0	1	Cavo Avviamento	Cable, Start	Cable Démarrage	Kabel, Start	
7	22722805/1	1	Protezione Sx	L Protection	Protection G	Linke Schutz	
8	12728300/0	1	Vite	Screw	Vis	Schraube	
9	18450050/0	1	Interruttore	Switch	Interrupteur	Schalter	
10	22722804/1	1	Protezione Dx	R Protection	Protection D	Rechte Schutz	

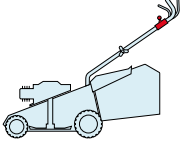
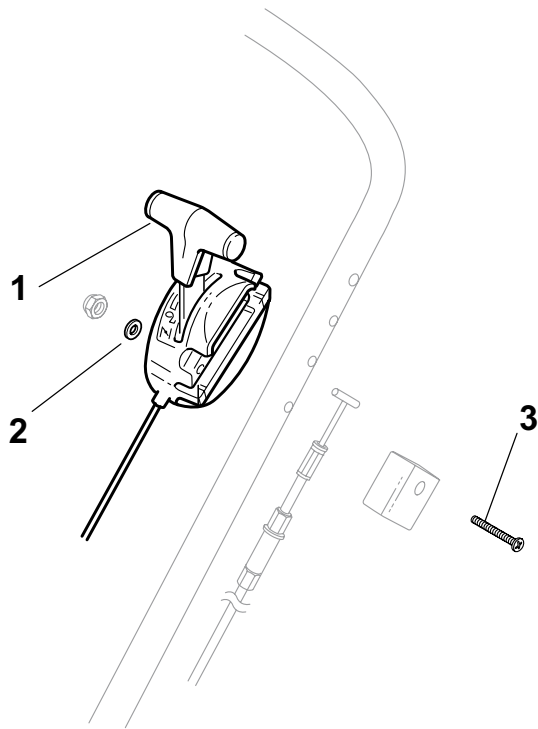
<b>TU</b>			
<b>454</b>	<b>504</b>	<b>554</b>	
<b>TR</b>	<b>TR-E</b>	<b>TR 4S</b>	<b>TR-E 4S</b>

POS.	CODE	Q.TY	DESCRIZIONE	DESCRIPTION	DESCRIPTION	BESCHREIBUNG	REMARKS
1	12291000/0	1	Dado	Nut	Ecrou	Mutter	
2	12581500/0	1	Grower	Grower	Grower	Federring	
3	22171005/0	1	Distanziale	Spacer	Entretoise	Distanzring	
4	12521360/0	1	Rosetta	Washer	Rondelle	Scheibe	
5	12508100/0	1	Rosetta Elastica	Spring Washer	Rondelle Elastique	Elastische Scheibe	
6	81007279/1	1	Leva, Acceleratore	Lever, Throttle	Levier, Accelérateur	Hebel, Beschleuniger	(B&S 625-675-700 Series - Honda - Ggp 140-160-196 cc)
6	81007220/0	1	Leva, Acceleratore	Lever, Throttle	Levier, Accelérateur	Hebel, Beschleuniger	(B&S 450-500 Series - Ggp 150 cc)
7	81007080/0	1	Cavo Acceleratore	Throttle Cable	Cable, Accelérateur	Gashebel Kabel	
8	12815000/0	1	Vite	Screw	Vis	Schraube	
9	14356703/0	1	Etichetta	Label	Etiquette	Etikette	(B&S)
9	114356905/0	1	Etichetta	Label	Etiquette	Etikette	(B&S 700 series DOV)
9	14356702/0	1	Etichetta	Label	Etiquette	Etikette	(GGP)
9	114364264/0	1	Etichetta	Label	Etiquette	Etikette	AVS (GGP 160-196)
9	14356702/0	1	Etichetta	Label	Etiquette	Etikette	(Honda)
9	114356905/0	1	Etichetta	Label	Etiquette	Etikette	(Honda GCV 160-190 Autochoke)

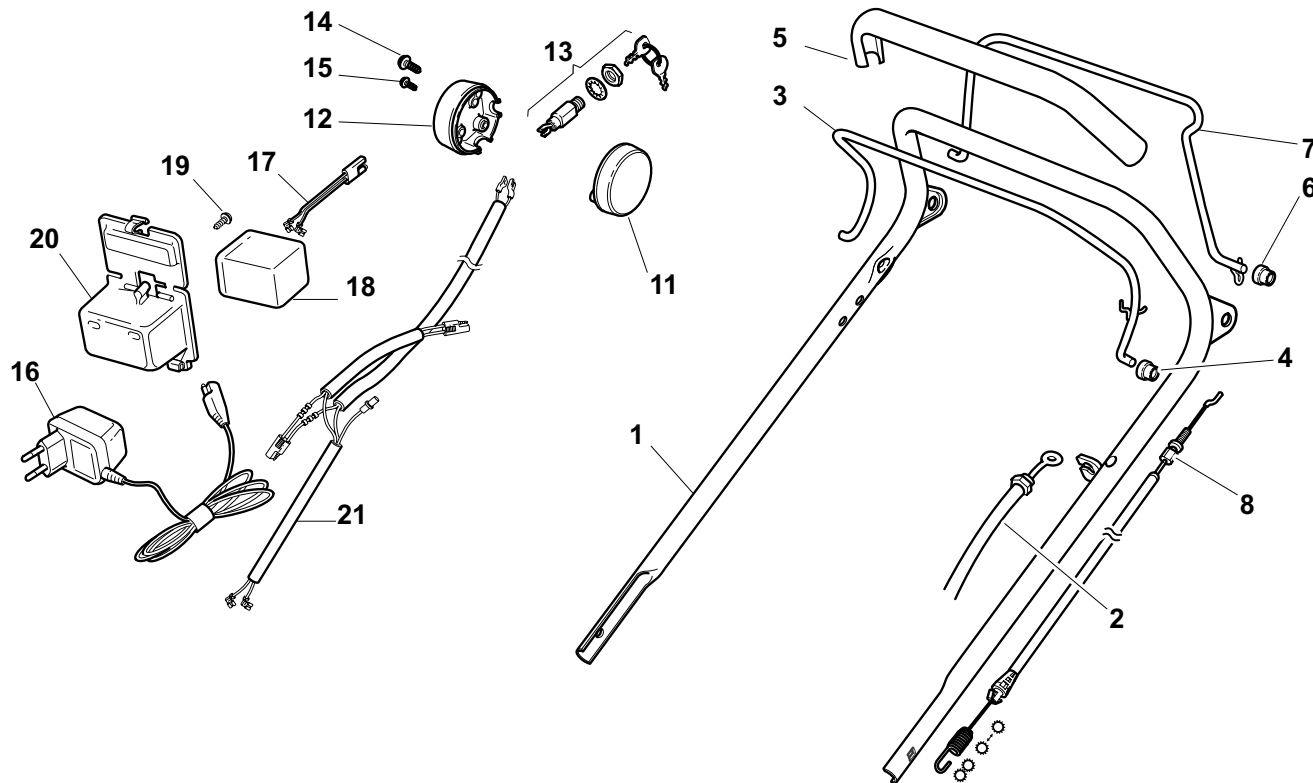
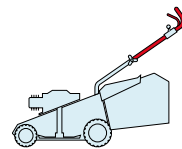


<b>TU</b>			
<b>454</b>	<b>504</b>	<b>554</b>	
<b>TR</b>	<b>TR-E</b>	<b>TR 4S</b>	<b>TR-E 4S</b>

POS.	CODE	Q.TY	DESCRIZIONE	DESCRIPTION	DESCRIPTION	BESCHREIBUNG	REMARKS
1	81007128/0	1	Cavo Acceleratore	Throttle Cable	Cable, Accelérateur	Gashebel Kabel	(B&S)
1	81007126/0	1	Cavo Acceleratore	Throttle Cable	Cable, Accelérateur	Gashebel Kabel	(Honda)
2	12523040/0	1	Rosetta	Washer	Rondelle	Scheibe	
3	12727787/0	1	Vite	Screw	Vis	Schraube	

<b>TU</b>			
<b>454</b>	<b>504</b>		<b>554</b>
<b>TR</b>	<b>TR-E</b>	<b>TR 4S</b>	<b>TR-E 4S</b>



POS.	CODE	Q.TY	DESCRIZIONE	DESCRIPTION	DESCRIPTION	BESCHREIBUNG	REMARKS
1	81006863/0	1	Manico, Parte Sup	Handle, Upper Part	Mancheron, Partie Supérieure	Holm, Oberteil	
2	81000631/0	1	Cavo Freno Motore	Cable, Thread Engine Brake	Cable Frein Moteur	Kabel, Motorbremse	454 (B&S 450-500 Series)
2	81000634/0	1	Cavo Freno Motore	Cable, Thread Engine Brake	Cable Frein Moteur	Kabel, Motorbremse	454 (B&S 625-675 Series)
2	81000756/0	1	Cavo Freno Motore	Cable, Thread Engine Brake	Cable Frein Moteur	Kabel, Motorbremse	454 (Ggp 150cc)
2	81000634/0	1	Cavo Freno Motore	Cable, Thread Engine Brake	Cable Frein Moteur	Kabel, Motorbremse	454 (Ggp 140cc)
2	81000634/0	1	Cavo Freno Motore	Cable, Thread Engine Brake	Cable Frein Moteur	Kabel, Motorbremse	454 (Ggp 160cc)
2	81000634/0	1	Cavo Freno Motore	Cable, Thread Engine Brake	Cable Frein Moteur	Kabel, Motorbremse	454 (Honda Gcv 135-160-190)
2	81000634/0	1	Cavo Freno Motore	Cable, Thread Engine Brake	Cable Frein Moteur	Kabel, Motorbremse	504 (B&S 450-500 Series)
2	81000634/0	1	Cavo Freno Motore	Cable, Thread Engine Brake	Cable Frein Moteur	Kabel, Motorbremse	504 (B&S 625-675 Series)
2	81000756/0	1	Cavo Freno Motore	Cable, Thread Engine Brake	Cable Frein Moteur	Kabel, Motorbremse	504 (Ggp 150cc)
2	81000634/0	1	Cavo Freno Motore	Cable, Thread Engine Brake	Cable Frein Moteur	Kabel, Motorbremse	504 (Ggp 160cc)
2	81000634/0	1	Cavo Freno Motore	Cable, Thread Engine Brake	Cable Frein Moteur	Kabel, Motorbremse	504 (Ggp 196cc)
2	81000634/0	1	Cavo Freno Motore	Cable, Thread Engine Brake	Cable Frein Moteur	Kabel, Motorbremse	504 (Honda Gcv 135-160-190)
2	81000642/1	1	Cavo Freno Motore	Cable, Thread Engine Brake	Cable Frein Moteur	Kabel, Motorbremse	554 (B&S 625-675 Series)
2	181030006/0	1	Cavo Freno Motore	Cable, Thread Engine Brake	Cable Frein Moteur	Kabel, Motorbremse	554 (B&S 700 Series)
2	81000642/1	1	Cavo Freno Motore	Cable, Thread Engine Brake	Cable Frein Moteur	Kabel, Motorbremse	554 (Ggp 140cc)
2	81000756/0	1	Cavo Freno Motore	Cable, Thread Engine Brake	Cable Frein Moteur	Kabel, Motorbremse	554 (Ggp 150cc)
2	81000642/1	1	Cavo Freno Motore	Cable, Thread Engine Brake	Cable Frein Moteur	Kabel, Motorbremse	554 (Ggp 160cc)

POS.	CODE	Q.TY	DESCRIZIONE	DESCRIPTION	DESCRIPTION	BESCHREIBUNG	REMARKS
2	81000642/1	1	Cavo Freno Motore	Cable, Thread Engine Brake	Cable Frein Moteur	Kabel, Motorbremse	554 (Ggp 196cc)
2	81000642/1	1	Cavo Freno Motore	Cable, Thread Engine Brake	Cable Frein Moteur	Kabel, Motorbremse	554 (Honda Gcv 135-160-190)
3	81003291/3	1	Leva Freno Motore	Lever, Engine Brake	Levier Frein Moteur	Hebel, Motorbremse	
4	22041966/0	2	Bussola	Bush	Douille	Buchse	
5	22291050/0	1	Impugnatura Manico Nera	Handgrip Black	Poignée Noire	Handgriff Schwarz	
6	22041965/1	2	Bussola	Bush	Douille	Buchse	
7	81003288/1	1	Leva Trazione	Lever, Driving	Levier Traction	Hebel, Antrieb	
8	381030008/0	1	Cavo Comando Trazione	Cable, Rear Drive	Câble, Commande Traction	Kabel, Antrieb	
11	22722801/0	1	Protezione Sx	L Protection	Protection G	Linke Schutz	
12	22722800/0	1	Protezione Dx	R Protection	Protection D	Rechte Schutz	
13	18450050/0	1	Interruttore	Switch	Interrupteur	Schalter	
14	12728300/0	2	Vite	Screw	Vis	Schraube	
15	12728691/0	1	Vite	Screw	Vis	Schraube	
16	18204120/0	1	Carica Batteria	Battery Charger	Chargeur De Batterie	Ladgerät	
17	18204121/0	1	Carica Batteria	Battery Charger	Chargeur De	Ladgerät	(Uk)
18	122063002/2	1	Cavo Avviamento	Cable, Start	Cable Démarrage	Kabel, Start	
19	18120053/0	1	Batteria	Battery	Batterie	Batterie	
20	12728691/0	1	Vite	Screw	Vis	Schraube	
21	22109533/0	1	Contenitore Batteria	Battery Box	Conteneur De Batterie	Batterie Behälter	
22	18204196/0	1	Cavo Avviamento	Cable, Start	Cable Démarrage	Kabel, Start	

TU

454

504

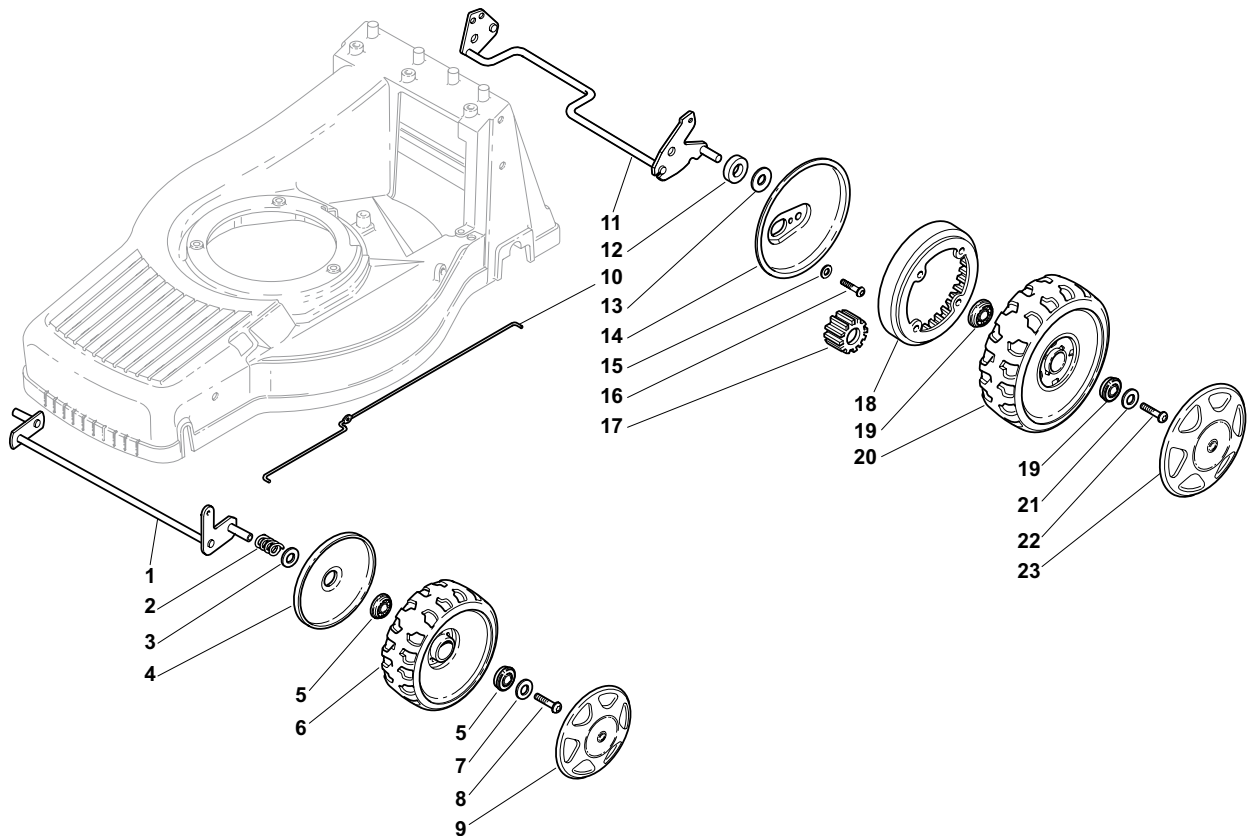
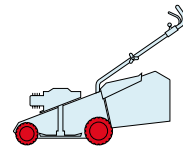
554

TR

TR-E

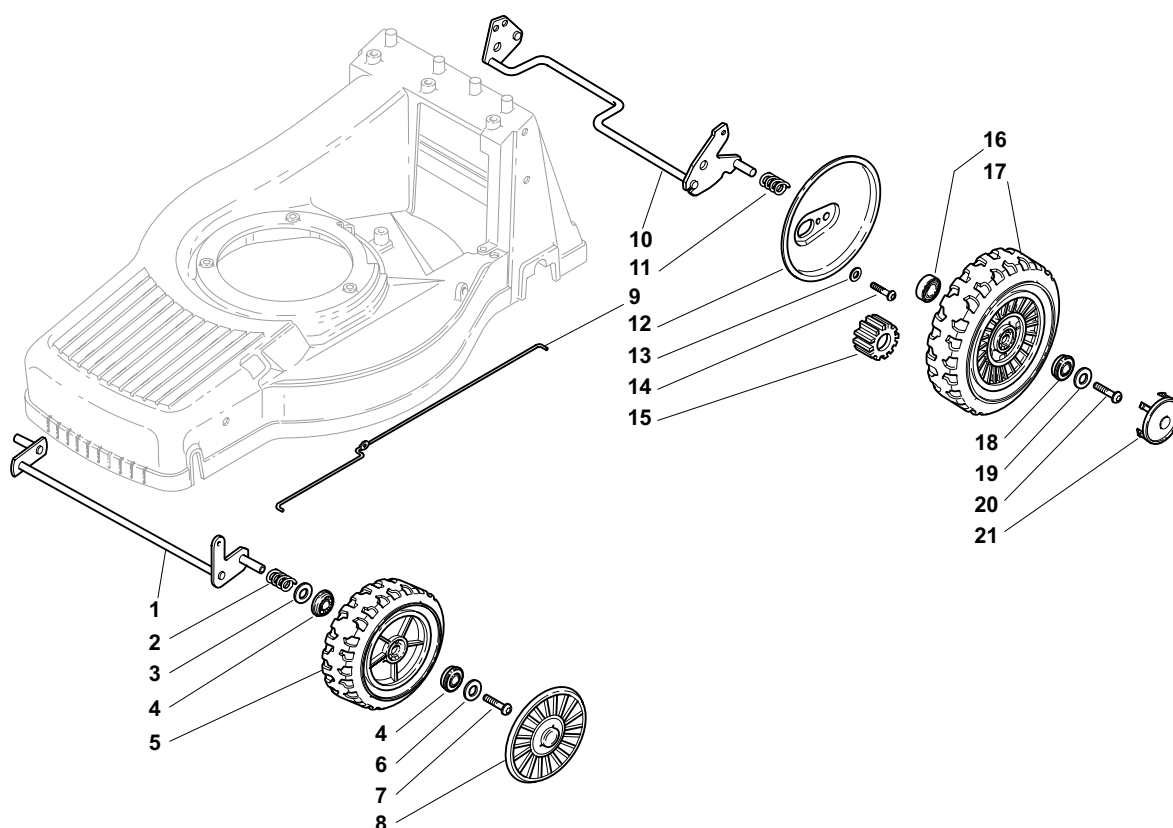
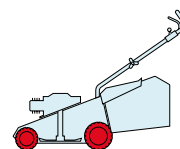
TR 4S

TR-E 4S



POS.	CODE	Q.TY	DESCRIZIONE	DESCRIPTION	DESCRIPTION	BESCHREIBUNG	REMARKS
1	81002843/0	1	Asse Ruote Anteriore	Axle, Front Wheels	Axe Roues Avant	Achse, Vorderrad	454
2	22430215/0	2	Molla	Spring	Ressort	Feder	
3	12521370/0	2	Rosetta	Washer	Rondelle	Scheibe	
4	22600095/0	2	Prot. Ruote	Protection, Wheel	Protection Roue	Schütz, Räder	
5	22122200/0	4	Cuscinetto	Bearing	Coussinet	Lager	
6	22686091/1	2	Ruota Ø 165	Wheel Ø 165	Roue Ø 165	Rad Ø 165	
7	12521460/0	2	Rosetta	Washer	Rondelle	Scheibe	
8	12735662/0	2	Vite	Screw	Vis	Schraube	
9	-	2	Coprismozzo	Hub Cap	Couvre-Moyeu	Radkappe	(See Enclosure 1)
10	22033321/0	1	Asta Comando Regol.	Rod, Height Adjustment Control	Tige Commande Reglage Hauteur	Stange, Höhenverstellung	454
11	81002841/0	1	Asse Ruote Posteriore	Axle, Rear Wheels	Axe Roues Arriere	Achse, Hinterrad	454
12	22170815/0	2	Distanziale	Spacer	Entretoise	Distanzring	
13	22675100/0	2	Rosetta	Washer	Rondelle	Scheibe	
14	22600121/0	2	Prot. Ruote	Protection, Wheel	Protection Roue	Schütz, Räder	
15	12521460/0	2	Rosetta	Washer	Rondelle	Scheibe	
16	12735662/0	2	Vite	Screw	Vis	Schraube	
17	22570125/0	2	Pignone	Pinion	Pignon	Ritzel	
18	22120109/0	2	Corona Trascinamento	Ring Gear	Couronne	Kranz	
19	22122200/0	4	Cuscinetto	Bearing	Coussinet	Lager	
20	22686093/0	2	Ruota Ø 190	Wheel Ø 190	Roue Ø190	Rad Ø 190	
21	12521460/0	2	Rosetta	Washer	Rondelle	Scheibe	
22	12735662/0	2	Vite	Screw	Vis	Schraube	
23	-	2	Coprismozzo	Hub Cap	Couvre-Moyeu	Radkappe	(See Enclosure 2)

<b>TU</b>			
<b>454</b>	<b>504</b>	<b>554</b>	
<b>TR</b>	<b>TR-E</b>	<b>TR 4S</b>	<b>TR-E 4S</b>



POS.	CODE	Q.TY	DESCRIZIONE	DESCRIPTION	DESCRIPTION	BESCHREIBUNG	REMARKS
1	81002845/0	1	Asse Ruote Anteriore	Axle, Front Wheels	Axe Roues Avant	Achse, Vorderrad	504
1	81002847/0	1	Asse Ruote Anteriore	Axle, Front Wheels	Axe Roues Avant	Achse, Vorderrad	554
2	22430210/0	2	Molla	Spring	Ressort	Feder	
3	12521370/0	2	Rosetta	Washer	Rondelle	Scheibe	
4	22122200/0	4	Cuscinetto	Bearing	Coussinet	Lager	
5	81007351/0	2	Ruota Ø 170	Wheel Ø 170	Roue Ø 170	Rad Ø 170	
6	12521460/0	2	Rosetta	Washer	Rondelle	Scheibe	
7	12735662/0	2	Vite	Screw	Vis	Schraube	
8	-	2	Coprismozzo	Hub Cap	Couvre-Moyeu	Radkappe	(See Enclosure 1)
9	22033322/0	1	Asta Comando Regol.	Rod, Height Adjustment Control	Tige Commande Reglage Hauteur	Stange, Höheverstellung	504
9	22033323/0	1	Asta Comando Regol.	Rod, Height Adjustment Control	Tige Commande Reglage Hauteur	Stange, Höheverstellung	554
10	81002823/0	1	Asse Ruote Posteriore	Axle, Rear Wheels	Axe Roues Arriere	Achse, Hinterrad	
11	22430215/0	2	Molla	Spring	Ressort	Feder	
12	22600121/0	2	Prot. Ruote	Protection, Wheel	Protection Roue	Schütz, Räder	
13	12521460/0	2	Rosetta	Washer	Rondelle	Scheibe	
14	12735662/0	2	Vite	Screw	Vis	Schraube	
15	22570125/0	2	Pignone	Pinion	Pignon	Ritzel	
16	19216038/0	2	Cuscinetto	Bearing	Coussinet	Lager	554
17	81007361/0	2	Ruota Ø 190	Wheel Ø 190	Roue Ø190	Rad Ø 190	504
17	81007362/0	2	Ruota Ø 215	Wheel Ø 215	Roue Ø 215	Rad Ø 215	554
18	22122201/0	4	Cuscinetto	Bearing	Coussinet	Lager	504
18	22122201/0	2	Cuscinetto	Bearing	Coussinet	Lager	554
19	12521460/0	2	Rosetta	Washer	Rondelle	Scheibe	
20	12735662/0	2	Vite	Screw	Vis	Schraube	
21	22110384/0	2	Coprismozzo	Hub Cap	Couvre-Moyeu	Radkappe	

TU

454

504

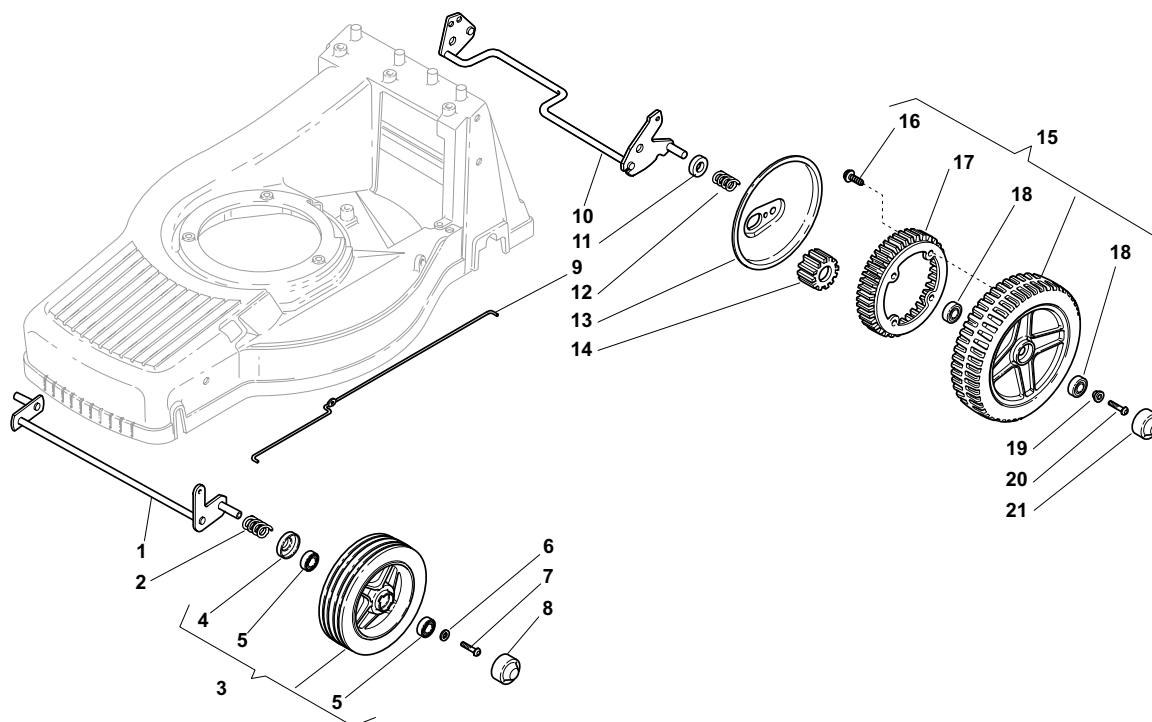
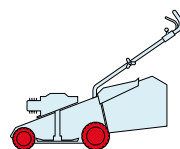
554

TR

TR-E

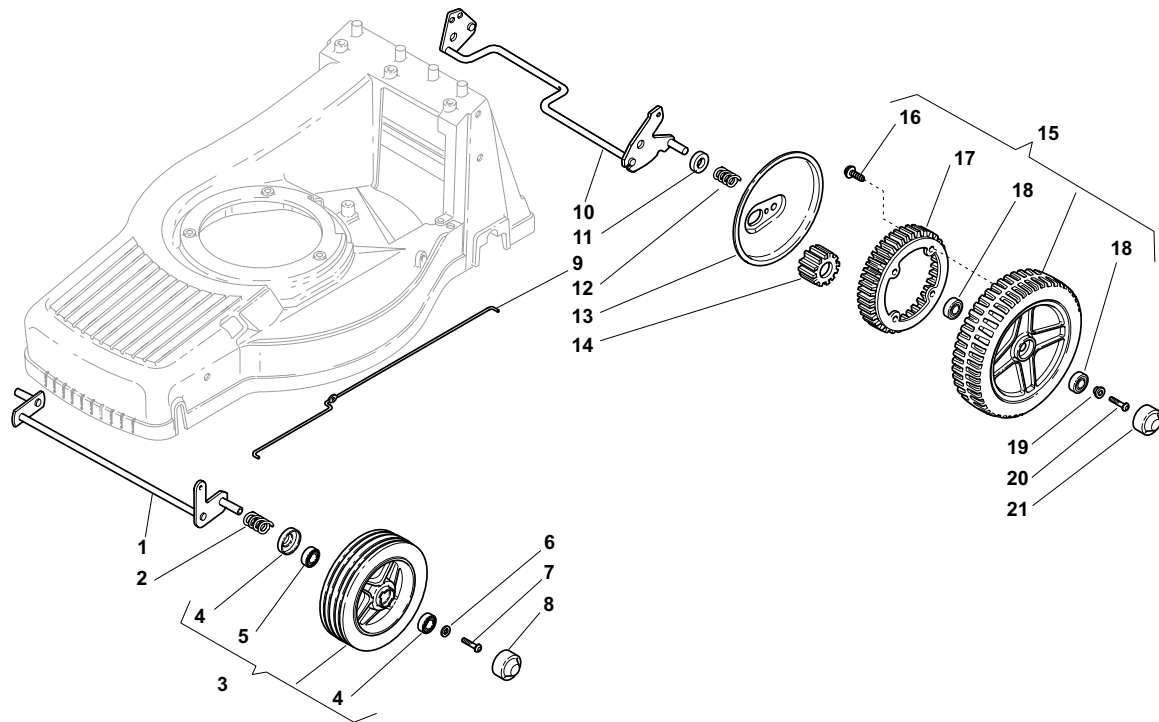
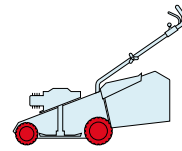
TR 4S

TR-E 4S



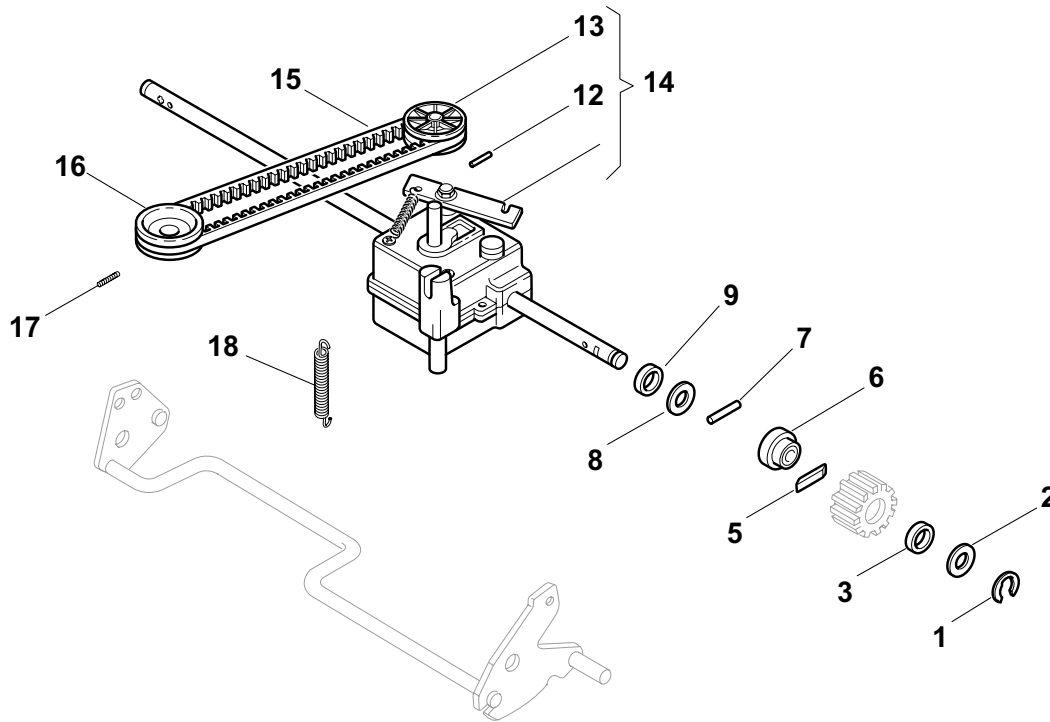
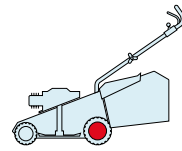
POS.	CODE	Q.TY	DESCRIZIONE	DESCRIPTION	DESCRIPTION	BESCHREIBUNG	REMARKS
1	81002817/0	1	Asse Ruote Anteriore	Axle, Front Wheels	Axe Roues Avant	Achse, Vorderrad	454
1	81002821/0	1	Asse Ruote Anteriore	Axle, Front Wheels	Axe Roues Avant	Achse, Vorderrad	504
1	81002825/0	1	Asse Ruote Anteriore	Axle, Front Wheels	Axe Roues Avant	Achse, Vorderrad	554
2	22430210/0	2	Molla	Spring	Ressort	Feder	
3	81007363/0	2	Ruota Ø 175	Wheel Ø 175	Roue Ø 175	Rad Ø 175	
4	22160522/0	2	Disco Parapolvere	Dust Cover	Protege-Poussiere	Staubschuttscheibe	
5	19216039/0	4	Cuscinetto	Bearing	Coussinet	Lager	
6	12521460/0	2	Rosetta	Washer	Rondelle	Scheibe	
7	12735662/0	2	Vite	Screw	Vis	Schraube	
8	22110379/0	2	Coprimozzo	Hub Cap	Couvre-Moyeu	Radkappe	
9	22033321/0	1	Asta Comando Regol.	Rod, Height Adjustment Control	Tige Commande Reglage Hauteur	Stange, Höheverstellung	454
9	22033322/0	1	Asta Comando Regol.	Rod, Height Adjustment Control	Tige Commande Reglage Hauteur	Stange, Höheverstellung	504
9	22033323/0	1	Asta Comando Regol.	Rod, Height Adjustment Control	Tige Commande Reglage Hauteur	Stange, Höheverstellung	554
10	81002819/0	1	Asse Ruote Posteriore	Axle, Rear Wheels	Axe Roues Arriere	Achse, Hinterrad	454
10	81002823/0	1	Asse Ruote Posteriore	Axle, Rear Wheels	Axe Roues Arriere	Achse, Hinterrad	504 - 554
11	22170810/0	2	Distanziale	Spacer	Entretoise	Distanzring	
12	22430215/0	2	Molla	Spring	Ressort	Feder	
13	22600127/0	2	Prot. Ruote	Protection, Wheel	Protection Roue	Schützt, Räder	
14	22570126/0	2	Pignone	Pinion	Pignon	Ritzel	
15	81007367/0	2	Ruota Ø 205	Wheel Ø 205	Roue Ø 205	Rad Ø 205	454 - 504
15	81007368/0	2	Ruota Ø 215	Wheel Ø 215	Roue Ø 215	Rad Ø 215	554
16	12728210/0	8	Vite	Screw	Vis	Schraube	
17	22120108/0	2	Corona Trascinamento	Ring Gear	Couronne	Kranz	
18	19216038/0	4	Cuscinetto	Bearing	Coussinet	Lager	
19	22671655/0	2	Rosetta	Washer	Rondelle	Scheibe	
20	12735592/0	2	Vite	Screw	Vis	Schraube	
21	22110380/0	2	Coprimozzo	Hub Cap	Couvre-Moyeu	Radkappe	

TU			
454	504	554	
TR	TR-E	TR 4S	TR-E 4S



POS.	CODE	Q.TY	DESCRIZIONE	DESCRIPTION	DESCRIPTION	BESCHREIBUNG	REMARKS
1	81002827/0	1	Asse Ruote Anteriore	Axle, Front Wheels	Axe Roues Avant	Achse, Vorderrad	504
1	81002817/0	1	Asse Ruote Anteriore	Axle, Front Wheels	Axe Roues Avant	Achse, Vorderrad	454
1	81002829/0	1	Asse Ruote Anteriore	Axle, Front Wheels	Axe Roues Avant	Achse, Vorderrad	554
2	22430210/0	2	Molla	Spring	Ressort	Feder	
3	381007384/0	2	Ruota Ø 190	Wheel Ø 190	Roue Ø 190	Rad Ø 190	
4	22160522/0	2	Disco Parapolvere	Dust Cover	Protege-Poussiere	Staubschuttscheibe	
5	19216039/0	4	Cuscinetto	Bearing	Coussinet	Lager	
6	12521460/0	2	Rosetta	Washer	Rondelle	Scheibe	
7	12735662/0	2	Vite	Screw	Vis	Schraube	
8	22110379/0	2	Coprismozzo	Hub Cap	Couvre-Moyeu	Radkappe	
8	22033321/0	1	Asta Comando Regol.	Rod, Height Adjustment Control	Tige Commande Reglage Hauteur	Stange, Höheverstellung	454
9	22033322/0	1	Asta Comando Regol.	Rod, Height Adjustment Control	Tige Commande Reglage Hauteur	Stange, Höheverstellung	504
9	22033324/0	1	Asta Comando Regol.	Rod, Height Adjustment Control	Tige Commande Reglage Hauteur	Stange, Höheverstellung	554
10	81002823/0	1	Asse Ruote Posteriore	Axle, Rear Wheels	Axe Roues Arriere	Achse, Hinterrad	
11	22170810/0	2	Distanziale	Spacer	Entretoise	Distanzring	
12	22430215/0	2	Molla	Spring	Ressort	Feder	
13	22600127/0	2	Prot. Ruote	Protection, Wheel	Protection Roue	Schütz, Räder	
14	22570126/0	2	Pignone	Pinion	Pignon	Ritzel	
15	81007367/0	2	Ruota Ø 205	Wheel Ø 205	Roue Ø 205	Rad Ø 205	454 - 504
15	81007368/0	2	Ruota Ø 215	Wheel Ø 215	Roue Ø 215	Rad Ø 215	554
16	12728210/0	8	Vite	Screw	Vis	Schraube	
17	22120108/0	2	Corona Trascinamento	Ring Gear	Couronne	Kranz	
18	19216038/0	4	Cuscinetto	Bearing	Coussinet	Lager	
19	22671655/0	2	Rosetta	Washer	Rondelle	Scheibe	
20	12735592/0	2	Vite	Screw	Vis	Schraube	
21	22110380/0	2	Coprismozzo	Hub Cap	Couvre-Moyeu	Radkappe	

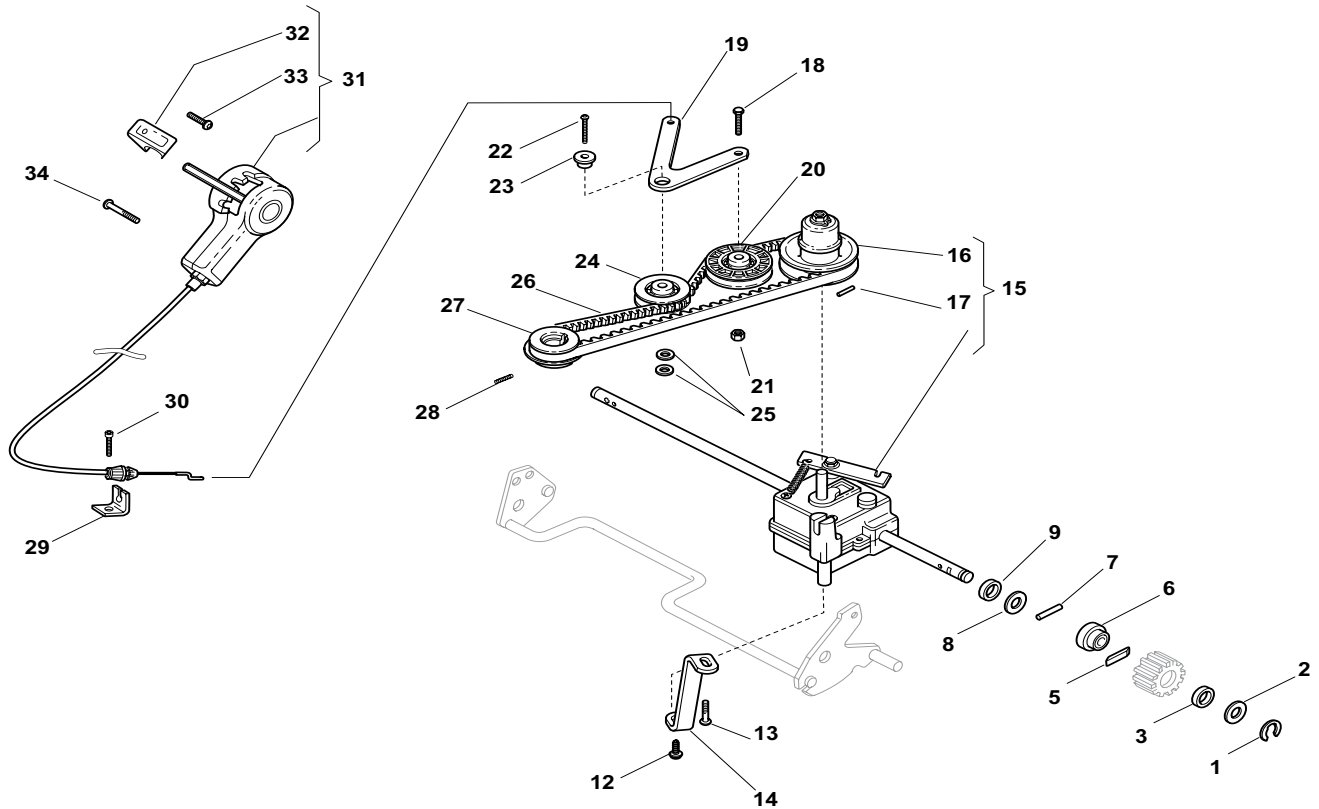
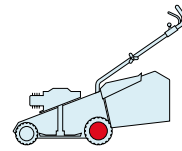
<b>TU</b>			
<b>454</b>	<b>504</b>	<b>554</b>	
<b>TR</b>	<b>TR-E</b>	<b>TR 4S</b>	<b>TR-E 4S</b>



POS.	CODE	Q.TY	DESCRIZIONE	DESCRIPTION	DESCRIPTION	BESCHREIBUNG	REMARKS
1	12000957/0	2	Anello Benzing	Benzing	Anneau Benzing	Benzing	
2	12520032/0	2	Rosetta	Washer	Rondelle	Scheibe	
3	22160520/0	2	Disco Parapolvere	Dust Cover	Protege-Poussiere	Staubschuttscheibe	
5	22076645/0	2	Chiave	Key	Clef	Schlüssel	
6	22170630/0	2	Distanziale	Spacer	Entretoise	Distanzring	
7	22753002/0	2	Spina	Pin	Goupille	Stift	
8	12520032/0	2	Rosetta	Washer	Rondelle	Scheibe	
9	19035152/0	2	Anello Or	Or Ring	Bague Or	Ring Or	
12	12620310/0	1	Spina	Pin	Goupille	Stift	
13	22601913/0	1	Puleggia	Pulley	Poulie	Riemenscheibe	
14	81003084/0	1	Gruppo Trazione	Gear Box	Groupe Traction	Antrieb	454
14	81003085/0	1	Gruppo Trazione	Gear Box	Groupe Traction	Antrieb	504 - 554
15	35063173/0	1	Cinghia Lp 730	Belt Lp 730	Courroire Lp 730	Riemen Lp 730	454
15	35063175/0	1	Cinghia Lp 750	Belt Lp 750	Courroire Lp 750	Riemen Lp 750	504
15	35064383/0	1	Cinghia Lp 837	Belt Lp 837	Courroire Lp 837	Riemen Lp 837	554
16	22601918/0	1	Puleggia, Albero Motore Ø 22.2	Pulley, Crankshaft Ø 22.2	Poulie, Arbre Moteur Ø 22.2	Riemenscheibe, Motorwelle Ø 22.2	
16	122601921/0	1	Puleggia, Albero Motore Ø 25	Pulley, Crankshaft Ø 25	Poulie, Arbre Moteur Ø 25	Riemenscheibe, Motorwelle Ø 25	
17	12714312/0	1	Grano	Dowel	Grain	Stift	
18	22450434/0	1	Molla	Spring	R ressort	Feder	



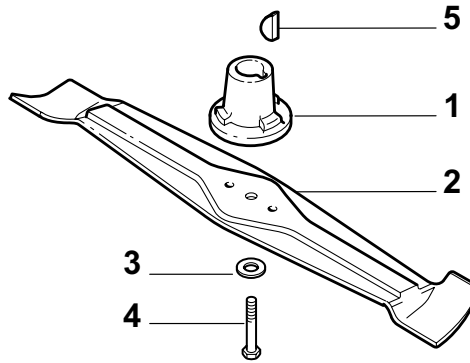
<b>TU</b>			
<b>454</b>	<b>504</b>	<b>554</b>	
<b>TR</b>	<b>TR-E</b>	<b>TR 4S</b>	<b>TR-E 4S</b>



POS.	CODE	Q.TY	DESCRIZIONE	DESCRIPTION	DESCRIPTION	BESCHREIBUNG	REMARKS
1	12000957/0	2	Anello Benzing	Benzing	Anneau Benzing	Benzing	
2	12520032/0	2	Rosetta	Washer	Rondelle	Scheibe	
3	22160520/0	2	Disco Parapolvere	Dust Cover	Protege-Poussiere	Staubschuttscheibe	
5	22076645/0	2	Chiave	Key	Clef	Schlüssel	
6	22170630/0	2	Distanziale	Spacer	Entretoise	Distanzring	
7	22753002/0	2	Spina	Pin	Goupille	Stift	
8	12520032/0	2	Rosetta	Washer	Rondelle	Scheibe	
8	12520032/0	2	Rosetta	Washer	Rondelle	Scheibe	
9	19035152/0	2	Anello Or	Or Ring	Bague Or	Ring Or	
12	12728300/0	1	Vite	Screw	Vis	Schraube	
13	12735664/0	1	Vite	Screw	Vis	Schraube	
14	22778407/0	1	Supporto	Support	Support	Halter	454 - 554
14	22778409/0	1	Supporto	Support	Support	Halter	504
15	81003090/0	1	Gruppo Trazione	Gear Box	Groupe Traction	Antrieb	454
15	81003086/0	1	Gruppo Trazione	Gear Box	Groupe Traction	Antrieb	504 - 554
16	22601916/0	1	Puleggia	Pulley	Poulie	Riemenscheibe	
17	12645700/0	1	Spina Elastica	Pin	Goupille	Stift	
18	12674550/0	1	Vite	Screw	Vis	Schraube	
19	22320001/0	1	Leva Trazione	Driving Lever	Levier Traction	Antriebhebel	454 - 504
19	22320003/0	1	Leva Trazione	Driving Lever	Levier Traction	Antriebhebel	554
20	22601914/0	1	Puleggia	Pulley	Poulie	Riemenscheibe	
21	12154510/0	1	Dado	Nut	Ecrou	Mutter	
22	12735669/0	1	Vite	Screw	Vis	Schraube	
23	22671656/0	1	Rondella	Washer	Rondelle	Scheibe	
24	22601915/0	1	Puleggia	Pulley	Poulie	Riemenscheibe	

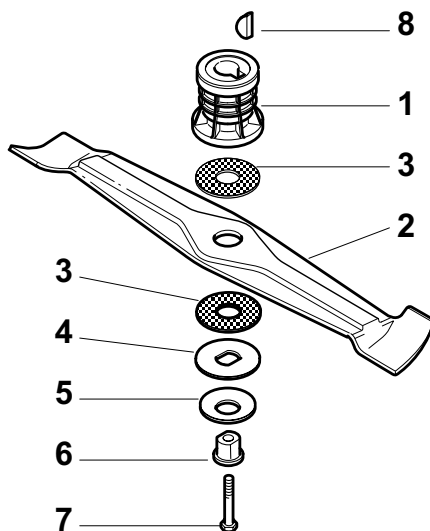
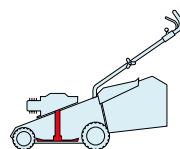
POS.	CODE	Q.TY	DESCRIZIONE	DESCRIPTION	DESCRIPTION	BESCHREIBUNG	REMARKS
25	12523040/0	2	Rosetta	Washer	Rondelle	Scheibe	
26	35064373/0	1	Cinghia Xpz Lp 737	Belt Xpz Lp 737	Courroire Xpz Lp 737	Riemen Xpz Lp 737	454
26	35064378/0	1	Cinghia Xpz Lp 780	Belt Xpz Lp 780	Courroire Xpz Lp 780	Riemen Xpz Lp 780	504
26	35064383/0	1	Cinghia Xpz Lp 837	Belt Xpz Lp 837	Courroire Xpz Lp 837	Riemen Xpz Lp 837	554
27	22601917/0	1	Puleggia, Albero Motore Ø 22.2	Pulley, Crankshaft Ø 22.2	Poulie, Arbre Moteur Ø 22.2	Riemenscheibe, Motorwelle Ø 22.2	
27	122601920/0	1	Puleggia, Albero Motore Ø 25	Pulley, Crankshaft Ø 25	Poulie, Arbre Moteur Ø 25	Riemenscheibe, Motorwelle Ø 25	
28	12714312/0	1	Grano	Dowel	Grain	Stift	
29	22806619/0	1	Supporto	Support	Support	Halter	
30	12735664/0	1	Vite	Screw	Vis	Schraube	
31	81007096/0	1	Cavo Comando Marce	Cable, Speed Drive Control	Cable, Comm. Change-ment Vitesse	Kabel, Gängeschaltun	454
31	81007097/0	1	Cavo Comando Marce	Cable, Speed Drive Control	Cable, Comm. Change-ment Vitesse	Kabel, Gängeschaltun	504
31	81007098/0	1	Cavo Comando Marce	Cable, Speed Drive Control	Cable, Comm. Change-ment Vitesse	Kabel, Gängeschaltun	554
32	22399809/0	1	Manopolina	Knob	Poignée	Griff	
33	12728300/0	2	Vite	Screw	Vis	Schraube	
34	12728702/0	2	Vite	Screw	Vis	Schraube	

<b>TU</b>			
<b>454</b>	<b>504</b>	<b>554</b>	
<b>TR</b>	<b>TR-E</b>	<b>TR 4S</b>	<b>TR-E 4S</b>

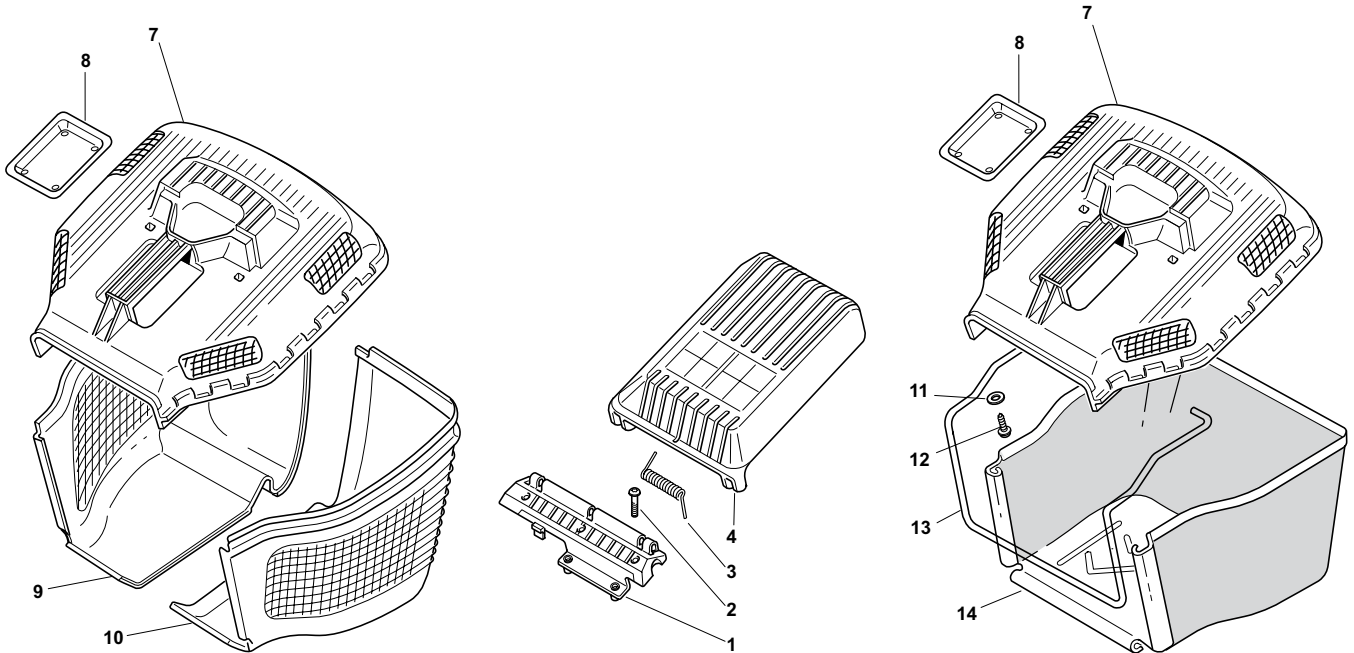
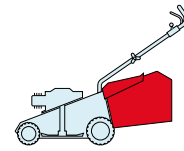
POS.	CODE	Q.TY	DESCRIZIONE	DESCRIPTION	DESCRIPTION	BESCHREIBUNG	REMARKS
1	22465618/0	1	Mozzo, Albero Motore Ø 22.2	Hub, Crankshaft Ø 22.2	Moyeu, Arbre Moteur Ø 22.2	Halter, Motorwelle Ø 22.2	
1	122465630/0	1	Mozzo, Albero Motore Ø 25	Hub, Crankshaft Ø 25	Moyeu, Arbre Moteur Ø 25	Halter, Motorwelle Ø 25	
2	81004131/0	1	Coltello	Blade	Lame	Messer	454
2	81004143/0	1	Coltello	Blade	Lame	Messer	504
2	81004144/0	1	Coltello	Blade	Lame	Messer	554
3	12530140/0	1	Rosetta	Washer	Rondelle	Scheibe	
4	12735698/0	1	Vite	Screw	Vis	Schraube	
5	12139100/0	1	Linguetta, Albero Motore Ø 22.2	Feather, Crankshaft Ø 22.2	Clavette, Arbre Moteur Ø 22.2	Keil, Motorwelle Ø 22.2	
5	12139150/0	1	Linguetta, Albero Motore Ø 25	Feather, Crankshaft Ø 25	Clavette, Arbre Moteur Ø 25	Keil, Motorwelle Ø 25	

<b>TU</b>			
<b>454</b>	<b>504</b>	<b>554</b>	
<b>TR</b>	<b>TR-E</b>	<b>TR 4S</b>	<b>TR-E 4S</b>



POS.	CODE	Q.TY	DESCRIZIONE	DESCRIPTION	DESCRIPTION	BESCHREIBUNG	REMARKS
1	22465619/0	1	Mozzo Con Puleggia, Albero Motore Ø 22.2	Hub With Pulley, Crankshaft Ø 22.2	Moyeu Avec Poulie, Arbre Moteur Ø 22.2	Nabe Mit Scheibe, Motorwelle Ø 22.2	
1	122465631/0	1	Mozzo Con Puleggia, Albero Motore Ø 25	Hub With Pulley, Crankshaft Ø 25	Moyeu Avec Poulie, Arbre Moteur Ø 25	Nabe Mit Scheibe, Motorwelle Ø 25	
1	122465636/0	1	Mozzo Con Puleggia, Albero Motore Ø 22.2	Hub With Pulley, Crankshaft Ø 22.2	Moyeu Avec Poulie, Arbre Moteur Ø 22.2	Nabe Mit Scheibe, Motorwelle Ø 22.2	AVS
1	122465637/0	1	Mozzo Con Puleggia, Albero Motore Ø 25	Hub With Pulley, Crankshaft Ø 25	Moyeu Avec Poulie, Arbre Moteur Ø 25	Nabe Mit Scheibe, Motorwelle Ø 25	AVS
2	81004132/0	1	Coltello Alettato	Blade Winged	Lame Ailetteé	Messer Flügel	454
2	81004135/0	1	Coltello Alettato	Blade Winged	Lame Ailetteé	Messer Flügel	504
2	81004134/0	1	Coltello Alettato	Blade Winged	Lame Ailetteé	Messer Flügel	554
3	22672111/0	2	Rondella Frizione	Clutch Washer	Rondelle Friction	Kupplungscheibe	
4	22672105/0	1	Rosetta	Washer	Rondelle	Scheibe	
5	12508120/0	1	Molla A Tazza	Cupped Spring	Ressort	Teller Feder	
6	22041940/0	1	Bussola Frizione	Clutch Bush	Douille Friction	Kupplungsscheibe	
7	12736850/0	1	Vite	Screw	Vis	Schraube	
7	12736825/0	1	Vite	Screw	Vis	Schraube	AVS
8	12139100/0	1	Linguetta, Albero Motore Ø 22.2	Feather, Crankshaft Ø 22.2	Clavette, Arbre Moteur Ø 22.2	Keil, Motorwelle Ø 22.2	
8	12139150/0	1	Linguetta, Albero Motore Ø 25	Feather, Crankshaft Ø 25	Clavette, Arbre Moteur Ø 25	Keil, Motorwelle Ø 25	

<b>TU</b>			
<b>454</b>	<b>504</b>		<b>554</b>
<b>TR</b>	<b>TR-E</b>	<b>TR 4S</b>	<b>TR-E 4S</b>



POS.	CODE	Q.TY	DESCRIZIONE	DESCRIPTION	DESCRIPTION	BESCHREIBUNG	REMARKS
1	22785178/0	1	Supporto, Nero	Support, Black	Support, Noir	Halter, Schwarz	454
1	22785156/0	1	Supporto, Giallo	Support, Yellow	Support, Jaune	Halter, Gelb	454
1	22785179/0	1	Supporto, Nero	Support, Black	Support, Noir	Halter, Schwarz	504-554
1	22785157/0	1	Supporto, Giallo	Support, Yellow	Support, Jaune	Halter, Gelb	504-554
2	12735664/0	3	Vite	Screw	Vis	Schraube	
3	22450443/0	1	Molla	Spring	Ressort	Feder	
4	22600079/0	1	Parasassi, Nero	Stone-Guard, Black	Pare-Pierres, Noir	Prallblech, Schwarz	454
4	22600080/0	1	Parasassi, Giallo	Stone-Guard, Yellow	Pare-Pierres, Jaune	Prallblech, Gelb	454
4	22600068/1	1	Parasassi, Nero	Stone-Guard, Black	Pare-Pierres, Noir	Prallblech, Schwarz	504-554
4	22600069/1	1	Parasassi, Giallo	Stone-Guard, Yellow	Pare-Pierres, Jaune	Prallblech, Gelb	504-554
7	22486115/0	1	Sacco, Parte Sup	Grass-Box, Upper Part	Sac, Partie Superieure	Korb, Oberteil	454
7	22486095/0	1	Sacco, Parte Sup	Grass-Box, Upper Part	Sac, Partie Superieure	Korb, Oberteil	504-554
8	22486098/0	1	Piastrina	Plate	Plaquette	Plättchen	
9	22486120/0	1	Sacco, Parte Inf Dx	Grass-Box, R Lower	Sac, Partie Inferieure D	Korb, R Unterteil	454
9	22486099/0	1	Sacco, Parte Inf Dx	Grass-Box, R Lower	Sac, Partie Inferieure D	Korb, R Unterteil	504-554
10	22486119/0	1	Sacco, Parte Inf Sx	Grass-Box, L Lower	Sac, Partie Inferieure G	Korb, L Unterteil	454
10	22486100/0	1	Sacco, Parte Inf Sx	Grass-Box, L Lower	Sac, Partie Inferieure G	Korb, L Unterteil	504-554
11	12521460/0	2	Rosetta	Washer	Rondelle	Scheibe	
12	12728300/0	2	Vite	Screw	Vis	Schraube	
13	22608518/0	1	Rinforzo Inf	Stiffening Lower	Réinforcement Inf	Verstärkung Untere	454
13	22608528/0	1	Rinforzo Inf	Stiffening Lower	Réinforcement Inf	Verstärkung Untere	504-554
14	81002239/0	1	Sacco, Tela	Box, Fabric	Sac, Toile	Sack, Tuck	454
14	81002235/0	1	Sacco, Tela	Box, Fabric	Sac, Toile	Sack, Tuck	504-554