

ILLUSTRATED PARTS LIST

NTL 480

NTL 480 Q



- Use GLOBAL GARDEN PRODUCT Genuine Spare Parts specified in the parts list for repair and/or replacement.
- The contents described in the parts list may change due to improvement.
- The drawings of the spare parts are only indicative and might not represent the part in question exactly.
- The indications "right" - "left" - "front" - "rear" refer to the position of the operator when using the machine.
- When placing orders of parts for repair and/or replacement, make sure that the illustrated parts list is the one applying to the machine's year of manufacture, as shown on the identification plate attached to the machine.

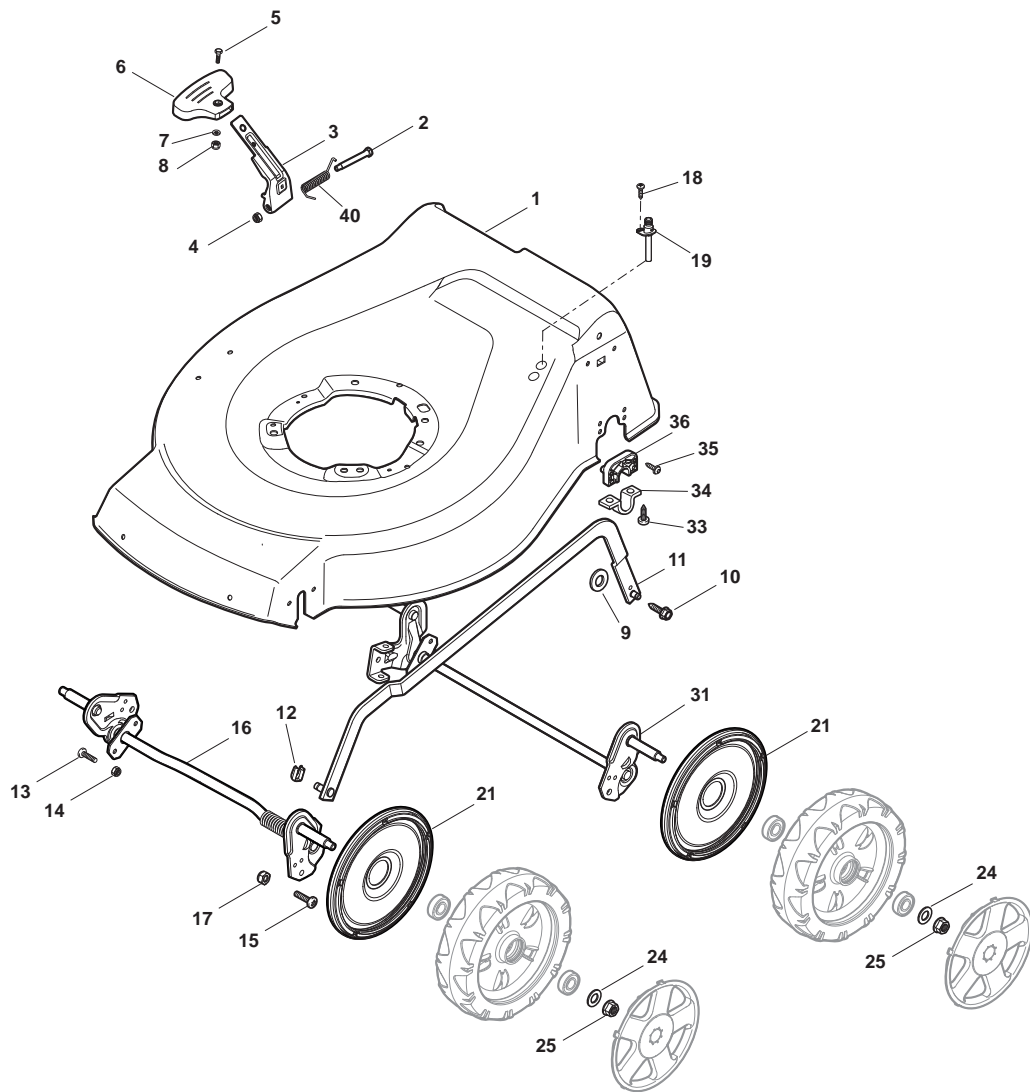
© Copyright 2014 Global Garden Products

All content is subject to copyright by Global Garden Products and may not be reproduced in whole or in part by any means, electronic or otherwise, without prior written approval.

THIS INFORMATION IS NOT INTENDED FOR SALE OR RESALE, AND THIS NOTICE MUST REMAIN ON ALL COPIES.

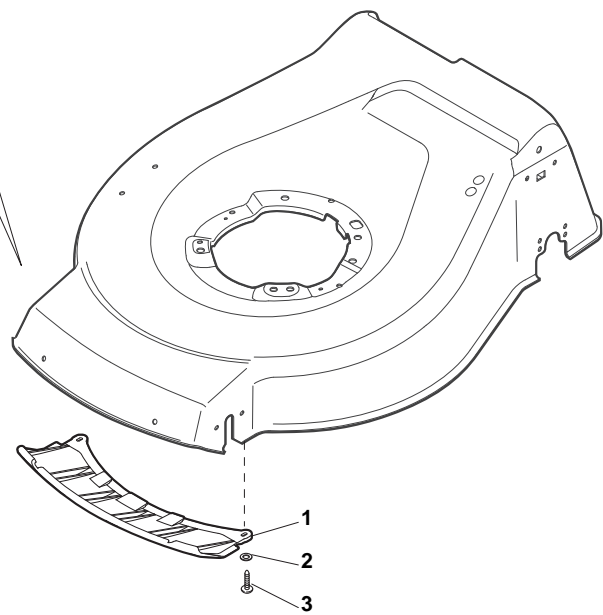
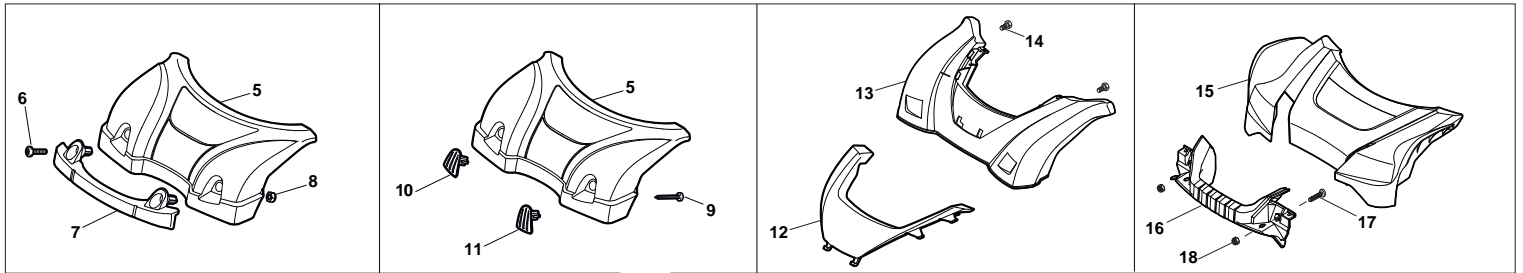


GLOBAL GARDEN PRODUCTS

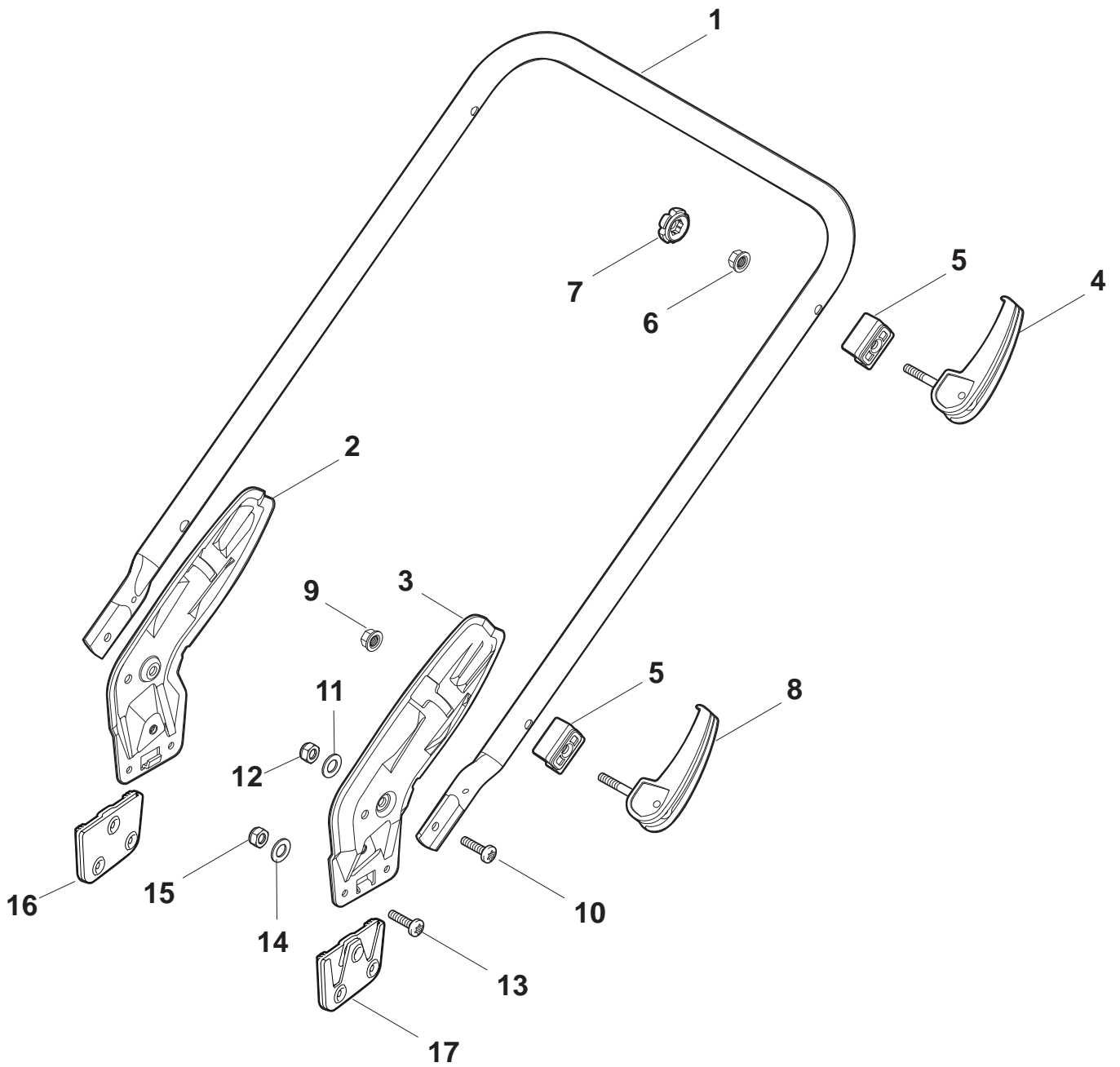


Deck And Height Adjusting

POS	PART. NO	Q.ty	DESCRIPTION	DESCRIZIONE	DESCRIPTION	BESCHREIBUNG	REMARKS
1	381004536/0	1	Deck Red	Chassis Rosso	Châssis Rouge	Gehäuse Rot	
1	381004538/0	1	Deck Red	Chassis Rosso	Châssis Rouge	Gehäuse Rot	Side Discharge
1	381004562/0	1	Deck Yellow	Chassis Giallo	Châssis Jaune	Gehäuse Gelb	
2	122534131/0	1	Pin	Perno	Pivot	Bolzen	
3	322322851/0	1	Lever, Height Adjustment	Leva Regolazione Altezza	Levier Reglage Hauteur	Hebel, Höneverstellung	
4	112154510/0	1	Nut	Dado	Ecrou	Mutter	
5	112788512/0	1	Screw	Vite	Vis	Schraube	
6	322394503/0	1	Knob	Manopolina	Poignée	Griff	
7	112521310/0	1	Washer	Rosetta	Rondelle	Scheibe	
8	112150000/0	1	Nut	Dado	Ecrou	Mutter	
9	112369500/0	1	Elastic Washer	Disco Elastico	Disque Elastique	Federscheibe	
10	122943013/0	1	Screw	Vite	Vis	Schraube	
11	381002029/0	1	Rod, Height Adjustment	Asta Comando Regol. Altezza	Tige Commande Reglage Hauteur	Stange, Höneverstellung	
12	112436051/0	1	Plate	Piastrina	Plaquette	Plättchen	
13	112727803/0	3	Screw	Vite	Vis	Schraube	
14	112154510/0	3	Nut	Dado	Ecrou	Mutter	
15	112727801/0	1	Screw	Vite	Vis	Schraube	
16	381002883/1	1	Axle, Front Wheels	Asse Ruote Anteriori	Axe Roues Avant	Achse, Vorderrad	
17	112154510/0	1	Nut	Dado	Ecrou	Mutter	
18	112728450/0	1	Screw	Vite	Vis	Schraube	
19	322034002/0	1	Washing Connection	Attacco Acqua Lavaggio	Attaque Lavage	Waschenverbindung	
21	322600145/0	4	Protection, Wheel	Protezione Ruote	Protection Roue	Schütz, Räder	
24	112521350/0	4	Washer	Rosetta	Rondelle	Scheibe	
25	112155000/0	4	Nut	Dado	Ecrou	Mutter	
31	381302823/0	1	Axle, Rear Wheels	Asse Ruote Posteriore	Axe Roues Arriere	Achse, Hinterrad	
33	112728697/0	4	Screw	Vite	Vis	Schraube	
34	322545152/0	2	Plate	Piastrina	Plaquette	Plättchen	
35	112728697/0	4	Screw	Vite	Vis	Schraube	
36	322785304/1	2	Support	Supporto	Support	Halter	
40	122446192/0	1	Spring	Molla	Ressort	Feder	



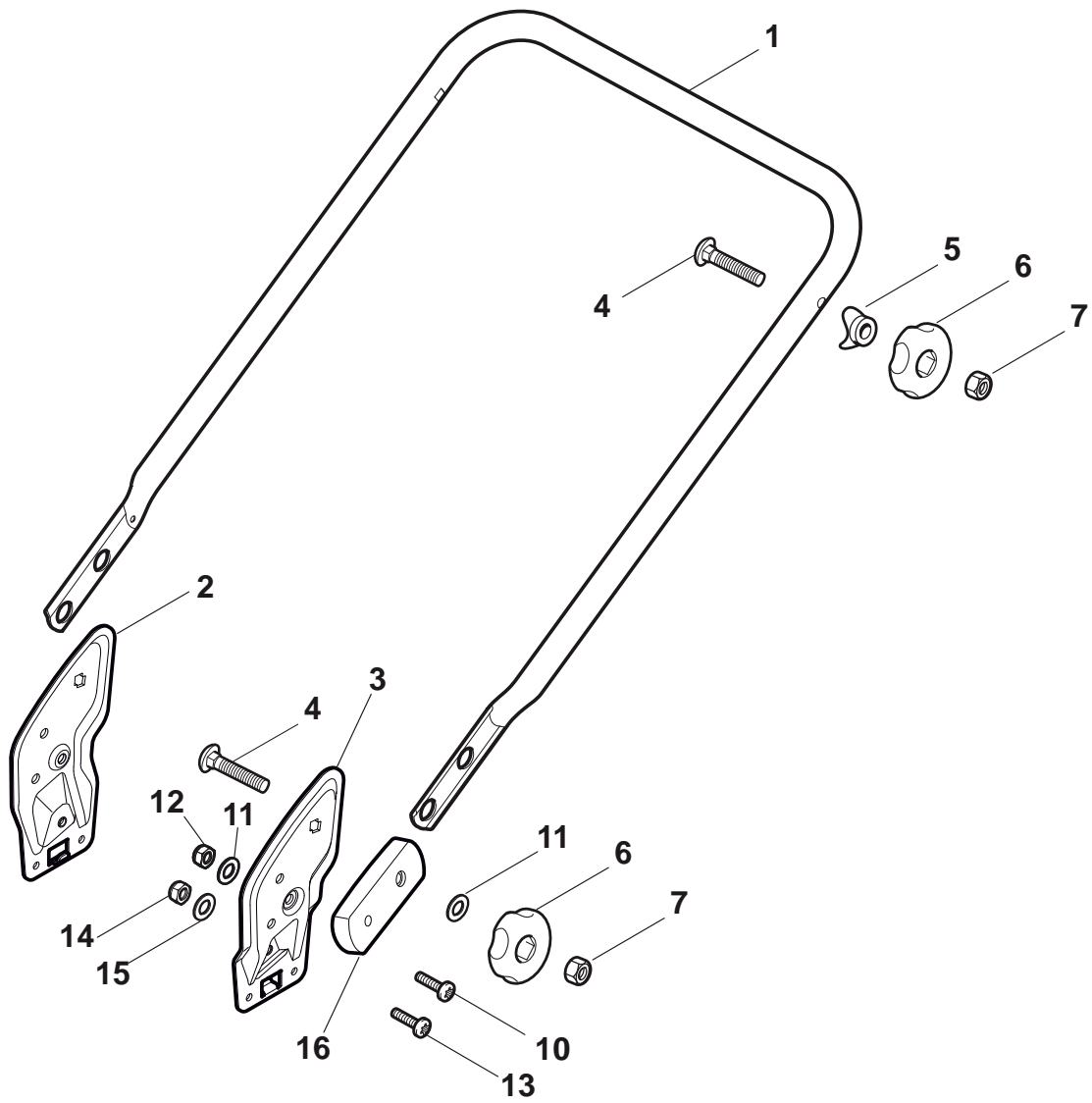
Mask							
POS	PART. NO	Q.ty	DESCRIPTION	DESCRIZIONE	DESCRIPTION	BESCHREIBUNG	REMARKS
1	322500102/0	1	Front Combi	Pettine Anteriore	Vorne Comb	Peigne Avant	
2	112523000/1	2	Washer	Rosetta	Rondelle	Scheibe	
3	112728124/0	2	Screw	Vite	Vis	Schraube	
5	322226143/0	1	Mask, Red	Mascherina, Rosso	Mesque, Rouge	Maske, Rot	
5	322226153/0	1	Mask, Black	Mascherina, Nero	Mesque, Noir	Maske, Schwarz	
5	322226155/0	1	Mask, Yellow	Mascherina, Giallo	Mesque, Jaune	Maske, Gelb	
6	112727799/0	2	Screw	Vite	Vis	Schraube	
7	322393638/0	1	Handle, Black	Maniglia, Nero	Poignee, Noir	Griff, Schwarz	
7	322393639/0	1	Handle, Grey	Maniglia Grigio	Poignee, Gris	Griff, Grau	
7	322393640/0	1	Handle, Yellow	Maniglia, Gialla	Poignee, Jaune	Griff, Gelb	
8	112154510/0	2	Nut	Dado	Ecrou	Mutter	
9	112728697/0	2	Screw	Vite	Vis	Schraube	
10	322820082/0	1	Cap	Puntale	Bouchon	Gummistopfen	
11	322820083/0	1	Cap	Puntale	Bouchon	Gummistopfen	
12	322226167/0	1	Frontal Plate	Piastra Frontale	Avant Plaquette	Front Plättchen	
13	322226165/0	1	Mask, Black	Mascherina, Nero	Mesque, Noir	Maske, Schwarz	
14	112728300/0	2	Screw	Vite	Vis	Schraube	
15	322226157/0	1	Mask, Black	Mascherina, Nero	Mesque, Noir	Maske, Schwarz	
16	322393642/0	1	Bumper	Bumper	Bumper	Bumper	
17	112727799/0	2	Screw	Vite	Vis	Schraube	
18	112154510/0	2	Nut	Dado	Ecrou	Mutter	



Handle, Lower Part

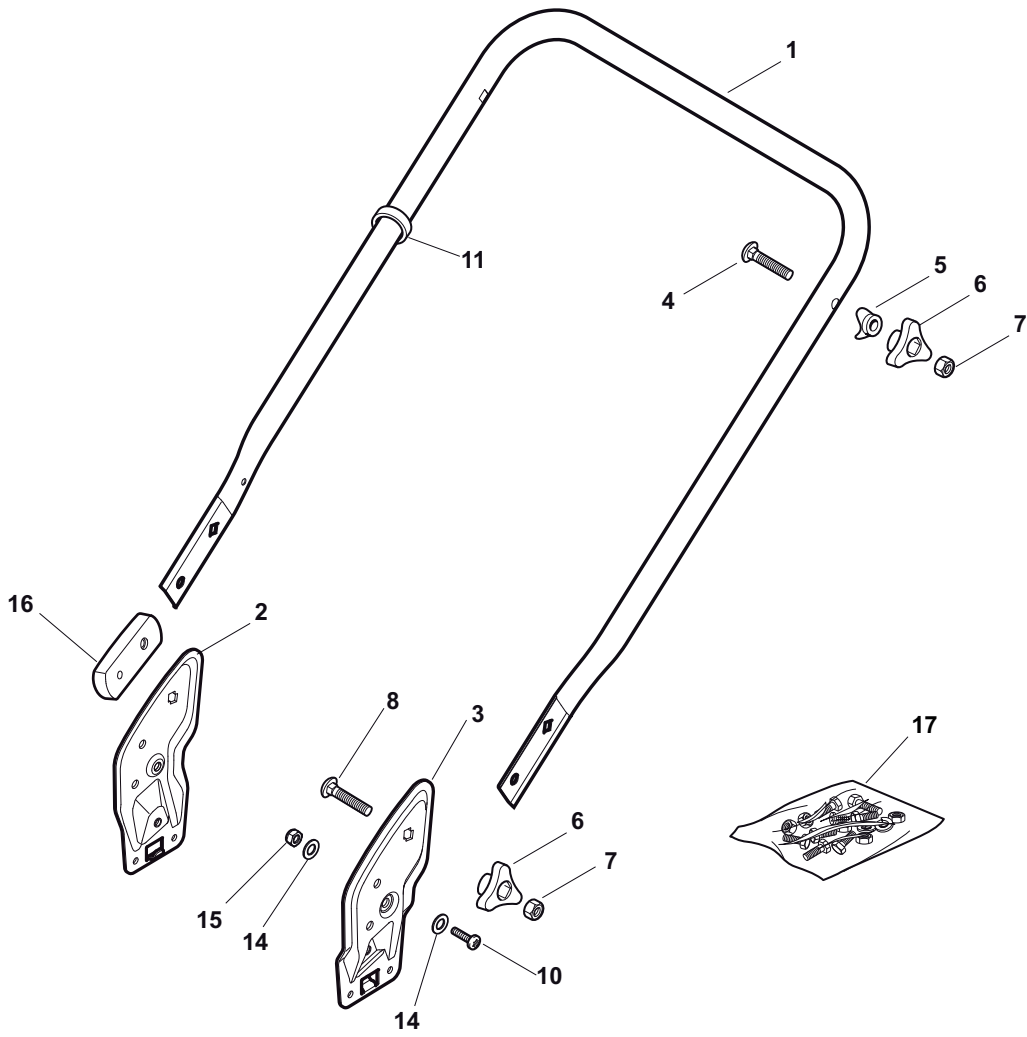
Quick Release

POS	PART. NO	Q.ty	DESCRIPTION	DESCRIZIONE	DESCRIPTION	BESCHREIBUNG	REMARKS
1	381006889/0	1	Handle, Lower Part	Manico, Parte Inferiore	Mancheron, Partie Inferieure	Holm, Unterteil	
2	381005125/0	1	Bracket, R	Staffa Dx	Etrier Droit	Steigbügel, Rechte	
3	381005127/0	1	Bracket, L	Staffa Sx	Etrier Gauche	Steigbügel, Linke	
4	381103350/0	2	Handle	Maniglia	Poignée	Griff	
5	322680016/0	4	Support	Supporto	Support	Halter	
6	122131750/0	2	Nut	Dado	Ecrou	Mutter	
7	322399835/0	2	Knob	Manopolina	Poignée	Griff	
8	381003254/0	2	Handle	Maniglia	Poignée	Griff	
9	112154220/0	2	Nut	Dado	Ecrou	Mutter	
10	112760605/0	2	Screw	Vite	Vis	Schraube	
11	112521350/0	2	Washer	Rosetta	Rondelle	Scheibe	
12	112155000/0	2	Nut	Dado	Ecrou	Mutter	
13	112727803/0	6	Screw	Vite	Vis	Schraube	
14	112523040/0	6	Washer	Rosetta	Rondelle	Scheibe	
15	112154510/0	6	Nut	Dado	Ecrou	Mutter	
16	322551580/0	1	Isolation Plate	Piastrina Isolamento	Plaquette De Isolement	Absonderung Platte	
17	322551581/0	1	Isolation Plate	Piastrina Isolamento	Plaquette De Isolement	Absonderung Platte	

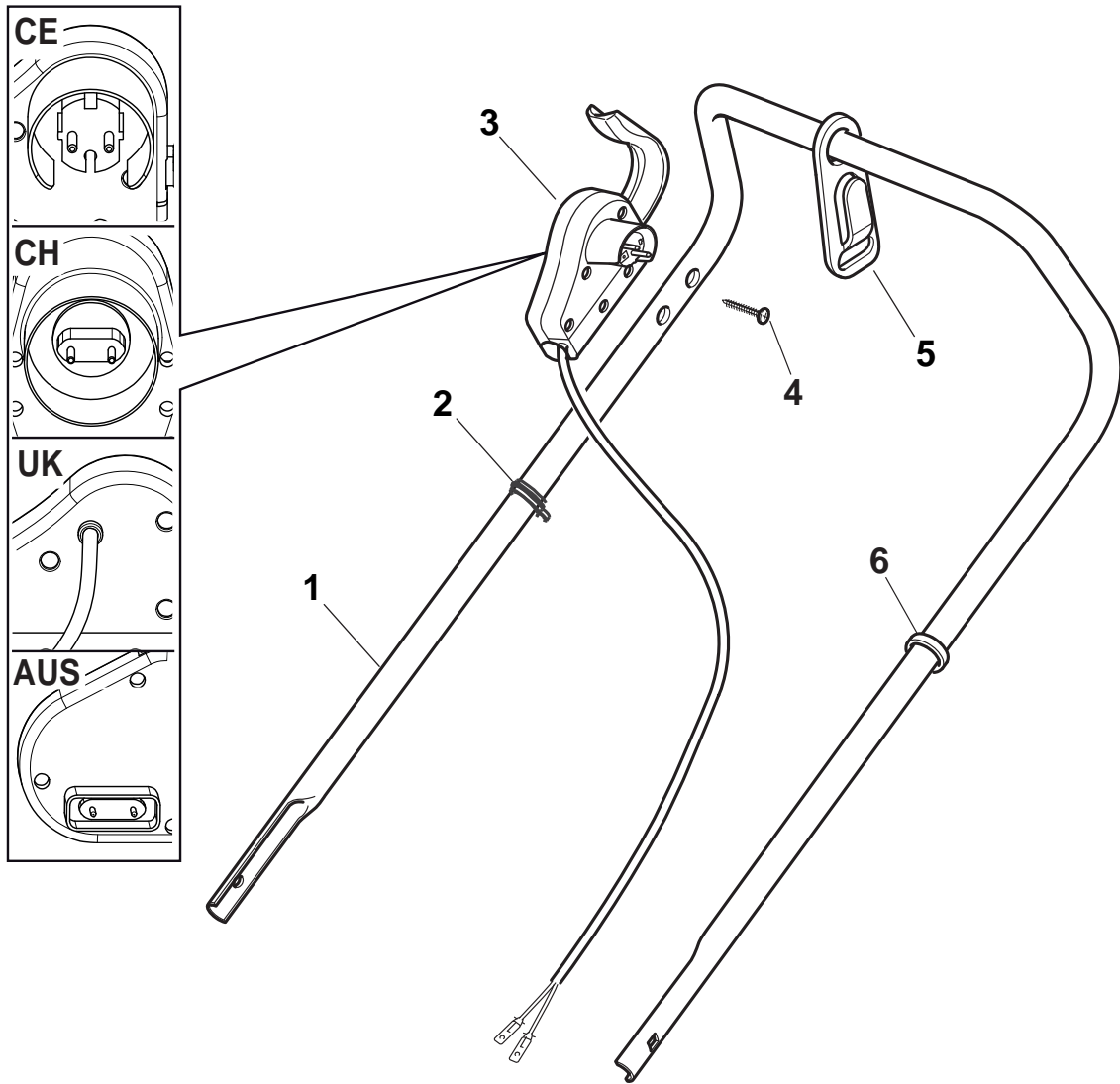


Handle, Lower Part

POS	PART. NO	Q.ty	DESCRIPTION	DESCRIZIONE	DESCRIPTION	BESCHREIBUNG	REMARKS
1	381006735/0	1	Handle, Lower Part	Manico, Parte Inferiore	Mancheron, Partie Inferieure	Holm, Unterteil	
2	381005133/0	1	Bracket, R	Staffa Dx	Etrier Droit	Steigbügel, Rechte	
3	381005135/0	1	Bracket, L	Staffa Sx	Etrier Gauche	Steigbügel, Linke	
4	112819120/0	4	Screw	Vite	Vis	Schraube	
5	122680006/1	4	Washer	Rosetta	Rondelle	Scheibe	
6	322399804/1	4	Knob	Manopolina	Poignée	Griff	
7	112293200/0	4	Nut	Dado	Ecrou	Mutter	
10	112760605/0	2	Screw	Vite	Vis	Schraube	
11	112521350/0	4	Washer	Rosetta	Rondelle	Scheibe	
12	112155000/0	6	Nut	Dado	Ecrou	Mutter	
13	112727803/0	6	Screw	Vite	Vis	Schraube	
14	112523040/0	6	Washer	Rosetta	Rondelle	Scheibe	
15	112154510/0	6	Nut	Dado	Ecrou	Mutter	
16	322551582/0	1	Isolation Plate	Piastrina Isolamento	Plaquette De Isolement	Absonderung Platte	

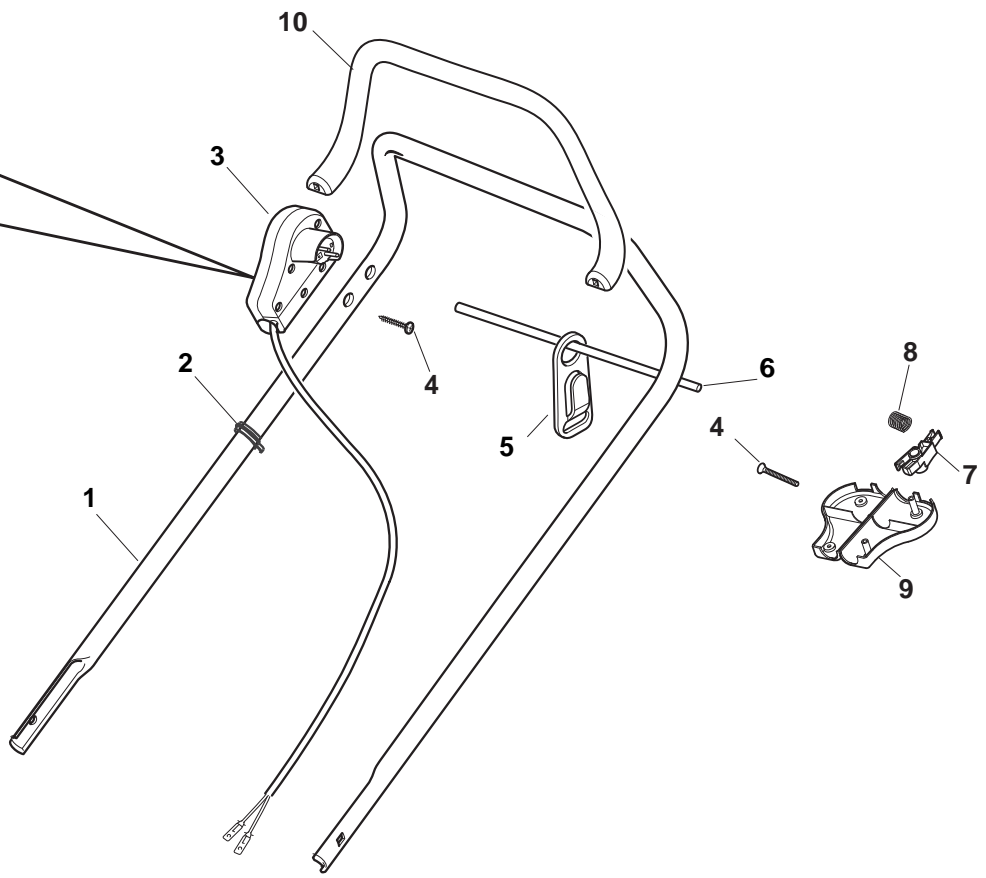
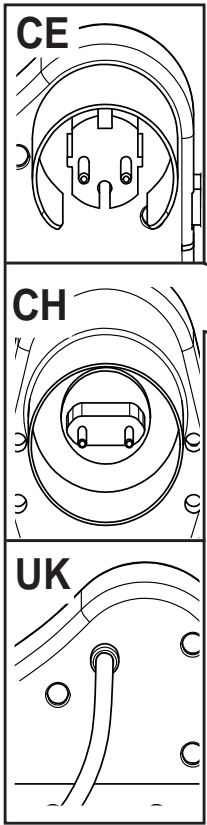


Handle, Lower Part							ERGO Version
POS	PART. NO	Q.ty	DESCRIPTION	DESCRIZIONE	DESCRIPTION	BESCHREIBUNG	REMARKS
1	381006735/0	1	Handle, Lower Part	Manico, Parte Inferiore	Mancheron, Partie Inferieure	Holm, Unterteil	
2	381005133/0	1	Bracket, R	Staffa Dx	Etrier Droit	Steigbügel, Rechte	
3	381005135/0	1	Bracket, L	Staffa Sx	Etrier Gauche	Steigbügel, Linke	
4	112819120/0	2	Screw	Vite	Vis	Schraube	
5	122680006/1	4	Washer	Rosetta	Rondelle	Scheibe	
6	322399804/1	4	Knob	Manopolina	Poignée	Griff	
7	112293200/0	4	Nut	Dado	Ecrou	Mutter	
8	112819110/0	2	Screw	Vite	Vis	Schraube	
10	112793701/0	2	Screw	Vite	Vis	Schraube	
11	122192000/1	1	Clamp	Staffa	Etrier	Bride	
14	112521350/0	4	Washer	Rosetta	Rondelle	Scheibe	
15	112154510/0	2	Nut	Dado	Ecrou	Mutter	
16	322551582/0	2	Isolation Plate	Piastrina Isolamento	Plaquette De Isolement	Absonderung Platte	
17	381008689/0	1	Outfit, Screws	Dotazione Viteria	Dotation Visserie	Satz, Schrauben	



Handle, Upper Part

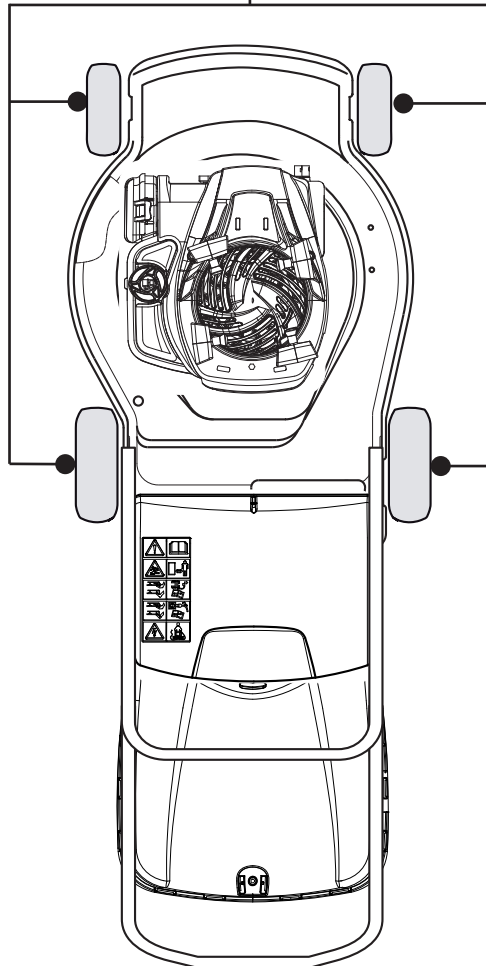
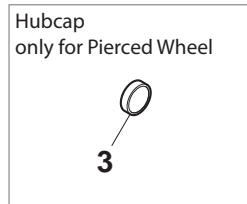
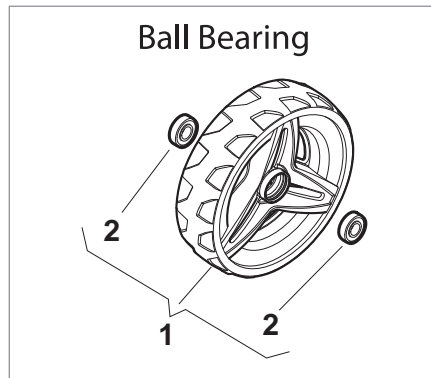
POS	PART. NO	Q.ty	DESCRIPTION	DESCRIZIONE	DESCRIPTION	BESCHREIBUNG	REMARKS
1	381007017/2	1	Handle, Upper Part	Manico, Parte Sup	Mancheron, Partie Superieure	Holm, Oberteil	
2	122192000/1	2	Clamp	Staffa	Etrier	Bride	
3	118710628/0	1	Dead Hand Switch	Salvatore	Int. Main Morte	Tot Manschalter	AUS_NZ plug
3	381600500/3	1	Dead Hand Switch	Salvatore	Int. Main Morte	Tot Manschalter	CE plug
3	381600501/3	1	Dead Hand Switch	Salvatore	Int. Main Morte	Tot Manschalter	CH plug
3	381600502/3	1	Dead Hand Switch	Salvatore	Int. Main Morte	Tot Manschalter	UK plug
4	112728701/0	2	Screw	Vite	Vis	Schraube	
5	322195101/4	1	Fairlead	Fermacavo	Fixation Cable	Kabelbefestigung	
6	122192151/0	1	Fairlead	Fermacavo	Fixation Cable	Kabelbefestigung	



Handle, Upper Part

POS	PART. NO	Q.ty	DESCRIPTION	DESCRIZIONE	DESCRIPTION	BESCHREIBUNG	REMARKS
1	381007017/2	1	Handle, Upper Part	Manico, Parte Sup	Mancheron, Partie Superieure	Holm, Oberteil	
2	122192000/1	2	Clamp	Staffa	Etrier	Bride	
3	381600503/5	1	Dead Hand Switch	Salvatore	Int. Main Morte	Tot Manschalter	CE plug
3	381600504/5	1	Dead Hand Switch	Salvatore	Int. Main Morte	Tot Manschalter	CH plug
3	381600505/5	1	Dead Hand Switch	Salvatore	Int. Main Morte	Tot Manschalter	UK plug
4	112728701/0	4	Screw	Vite	Vis	Schraube	
5	322195101/4	1	Fairlead	Fermacavo	Fixation Cable	Kabelbefestigung	
6	122010251/0	1	Rod, Fairlead Bearing	Asta Aggancio Fermacavo	Tige Support Serrecable	Stange, Kabelhalter	
7	322230350/1	1	Fulcrum Pin	Perno Fulcro	Pivot	Gelenkpunkt	
8	122450115/0	1	Spring	Molla	Ressort	Feder	
9	322785144/1	1	Support	Supporto	Support	Halter	
10	322322881/1	1	Lever, Engine Brake Black	Leva Freno Motore Nero	Levier Frein Moteur Noir	Hebel, Motorbremse Schwarz	
10	322322884/1	1	Lever, Engine Brake Red	Leva Freno Motore, Rosso	Levier Frein Moteur Rouge	Hebel, Motorbremse, Rot	
10	322322885/1	1	Lever, Engine Brake Yellow	Leva Freno Motore, Giallo	Levier Frein Moteur Jaune	Hebel, Motorbremse, Gelb	

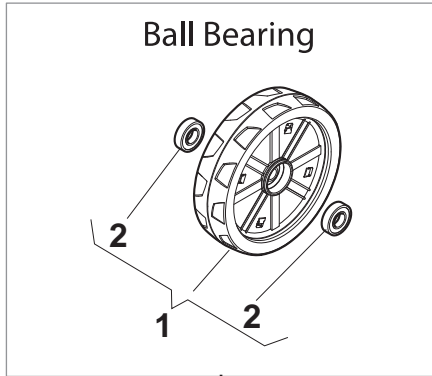
DELTA Wheel (Pierced)



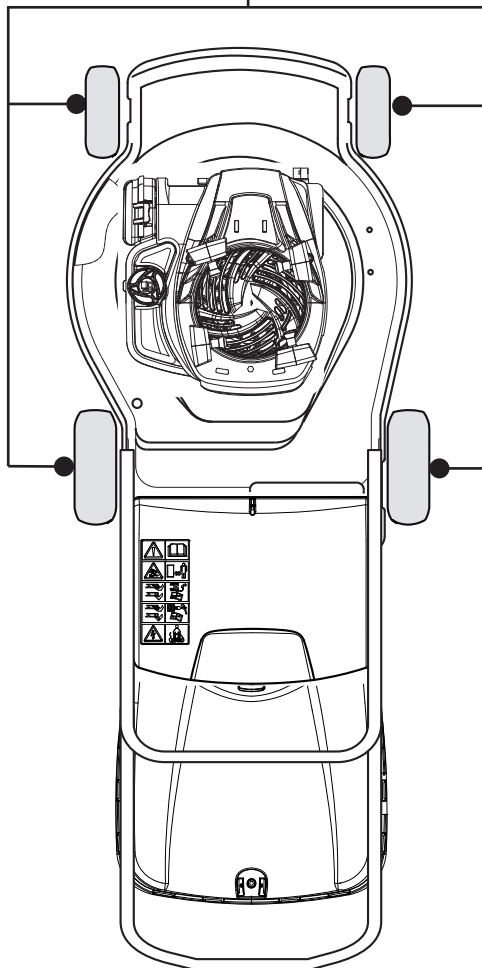
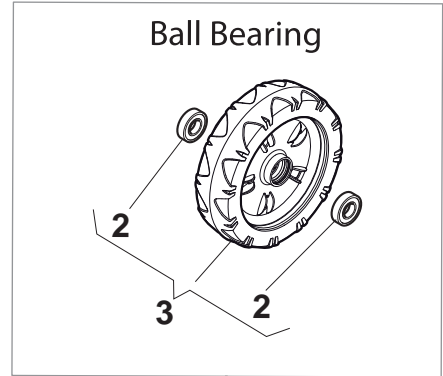
DELTA Wheels

POS	PART. NO	Q.ty	DESCRIPTION	DESCRIZIONE	DESCRIPTION	BESCHREIBUNG	REMARKS
1	381007477/0	4	Wheel Ø 200	Ruota Ø 200	Roue Ø 200	Rad Ø 200	
2	119216035/0	8	Bearing	Cuscinetto	Coussinet	Lager	
3	322110640/0	4	Hub Cap Grey	Coprizzo Grigio	Couvre-Moyeu Gris	Radkappe Grau	

DELTA Wheels - Ø 200

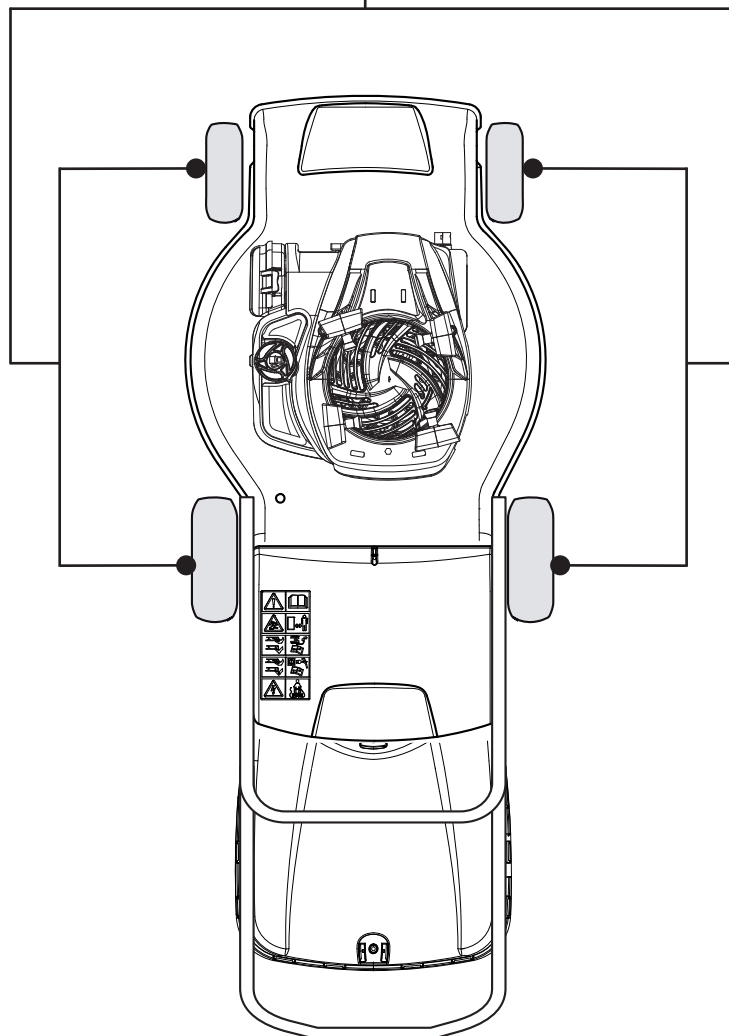
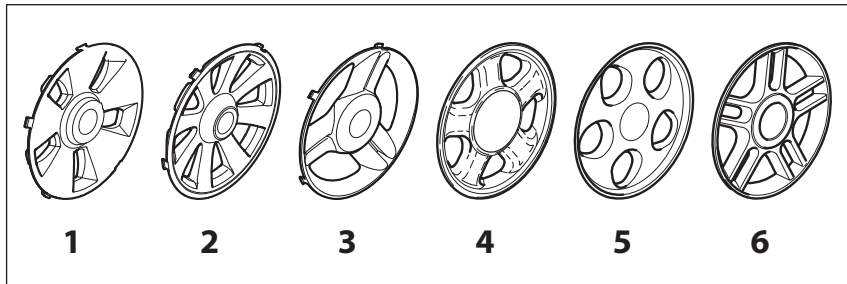


NTD Wheels - Ø 200



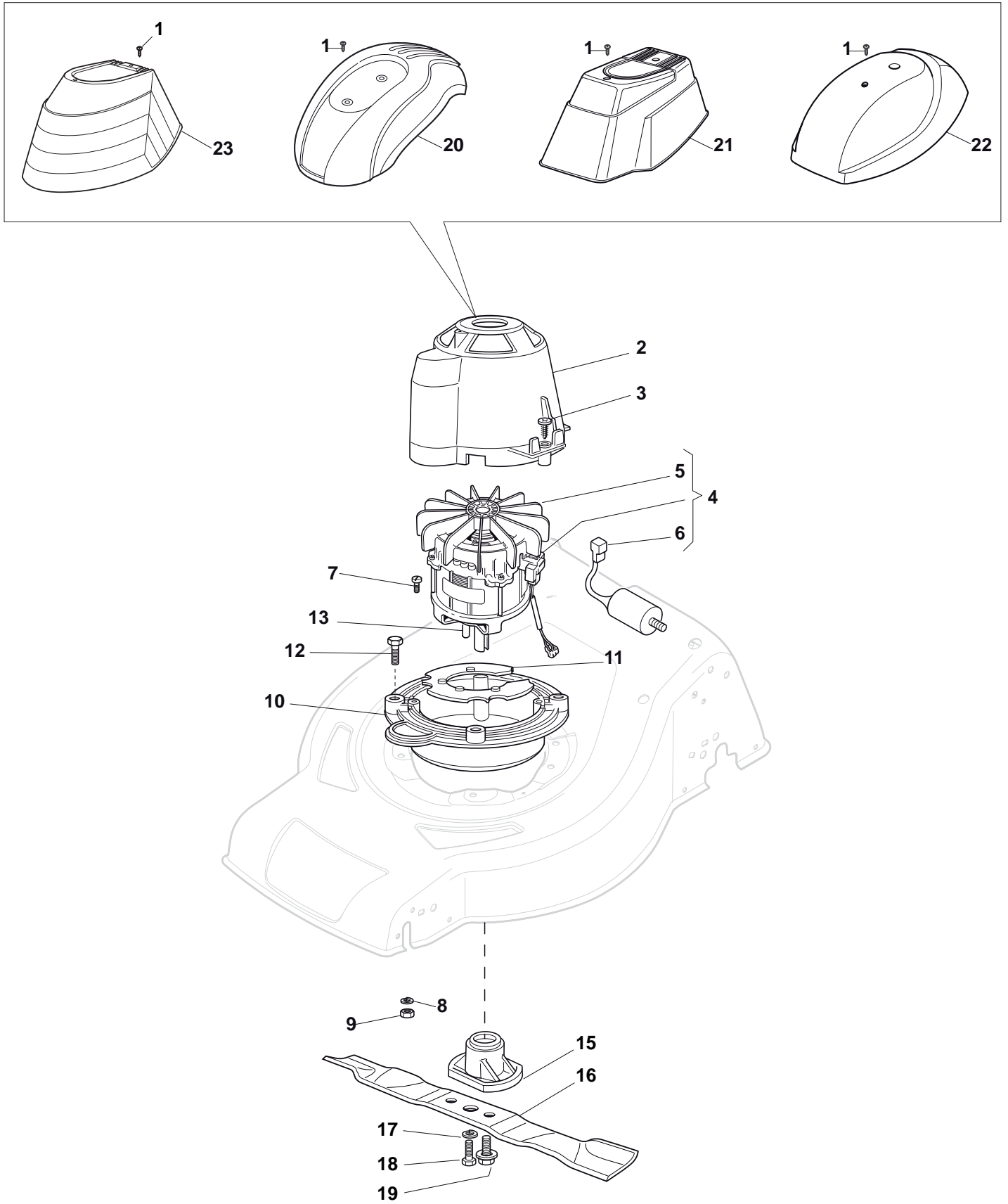
Wheels

POS	PART. NO	Q.ty	DESCRIPTION	DESCRIZIONE	DESCRIPTION	BESCHREIBUNG	REMARKS
1	381007483/1	4	Wheel Ø 200	Ruota Ø 200	Roue Ø 200	Rad Ø 200	
2	119216035/0	8	Bearing	Cuscinetto	Coussinet	Lager	
3	381007416/2	4	Wheel Ø 200	Ruota Ø 200	Roue Ø 200	Rad Ø 200	



Hub Cap

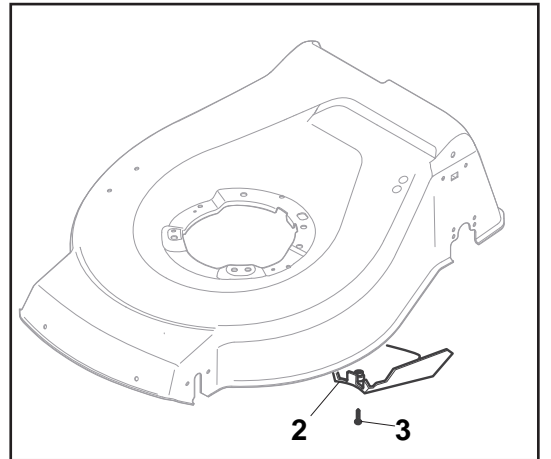
POS	PART. NO	Q.ty	DESCRIPTION	DESCRIZIONE	DESCRIPTION	BESCHREIBUNG	REMARKS
1	322110643/0	4	Hub Cap Grey	Coprizzo Grigio	Couvre-Moyeu Gris	Radkappe Grau	
2	322110645/0	4	Hub Cap Grey	Coprizzo Grigio	Couvre-Moyeu Gris	Radkappe Grau	
2	322110649/0	4	Hub Cap Yellow	Coprizzo Giallo	Couvre-Moyeu Jaune	Radkappe Gelb	
3	322110687/0	4	Hub Cap Grey	Coprizzo Grigio	Couvre-Moyeu Gris	Radkappe Grau	
4	322110382/0	4	Hub Cap Grey	Coprizzo Grigio	Couvre-Moyeu Gris	Radkappe Grau	
5	322110416/0	4	Hub Cap Grey	Coprizzo Grigio	Couvre-Moyeu Gris	Radkappe Grau	
6	322110492/0	4	Hub Cap Grey	Coprizzo Grigio	Couvre-Moyeu Gris	Radkappe Grau	



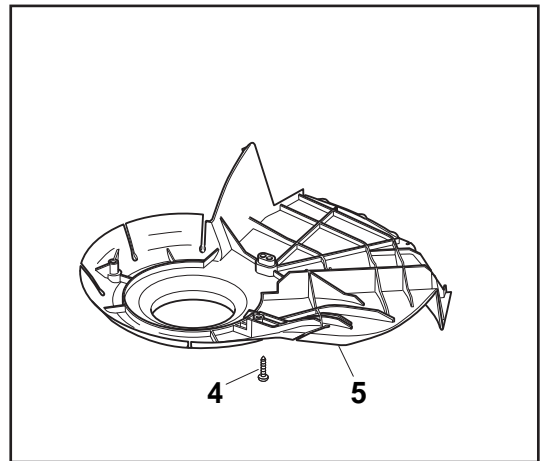
Electric Motor

POS	PART. NO	Q.ty	DESCRIPTION	DESCRIZIONE	DESCRIPTION	BESCHREIBUNG	REMARKS
1	112728680/0	2	Screw	Vite	Vis	Schraube	
2	322785210/0	1	Support, Cover	Supporto Capottina	Support Capot	Halter, Haube	
3	112728710/0	4	Screw	Vite	Vis	Schraube	
4	118563605/0	1	Motor ATB	Motore ATB	Moteur ATB	Motor ATB	240V (1600W)
4	118563640/0	1	Motor ATB	Motore ATB	Moteur ATB	Motor ATB	230V (1800W)
5	118740054/0	1	Fan Motor Atb	Ventola Per Motore	Ventilateur Moteur	Lüfter Motor Atb	
6	118222039/0	1	Condenser 25 µf	Condensatore 25 µf	Condenseur 25 µf	Kondensator 25 µf	230V (1800W)
6	118222045/0	1	Condenser 16 µf	Condensatore 16 µf	Condenseur 16 µf	Kondensator 16 µf	240V (1600W)
7	112735410/0	4	Screw	Vite	Vis	Schraube	
8	112583500/0	4	Grower	Grower	Grower	Federring	
9	112293200/0	4	Nut	Dado	Ecrou	Mutter	
10	322207211/4	1	Flange	Flangia	Bride	Flansch	
10	322207216/0	1	Flange	Flangia	Bride	Flansch	
11	322720360/2	1	Ventilation Screen	Schermo	Ecran Ventilation	Lüftungschirm	
12	112793700/0	4	Screw	Vite	Vis	Schraube	
13	112139440/0	1	Feather	Linguetta	Clavette	Keil	
15	322463186/3	1	Hub	Mozzo	Moyeu	Nabe	
16	181004346/3	1	Blade Standard	Coltello Standard	Lame Standard	Messer Standard	
16	181004397/0	1	Blade Winged	Coltello Alettato	Lame Ailetée	Messer Flügel	
17	112583500/0	2	Grower	Grower	Grower	Federring	
18	112793101/0	2	Screw	Vite	Vis	Schraube	
19	381004352/1	1	Screw	Vite	Vis	Schraube	
20	122055065/0	1	Cover, Black	Copertura, Nero	Couvre, Noir	Kappe, Schwarz	
21	122055045/1	1	Cover, Black	Capottina	Capot	Haube	
21	322055139/0	1	Cover, Yellow	Capottina Gialla	Capot Jaune	Haube Gelb	
22	122055058/0	1	Cover, Black	Copertura, Nero	Couvre, Noir	Kappe, Schwarz	
23	122055033/1	1	Cover, Black	Copertura, Nero	Couvre, Noir	Kappe, Schwarz	

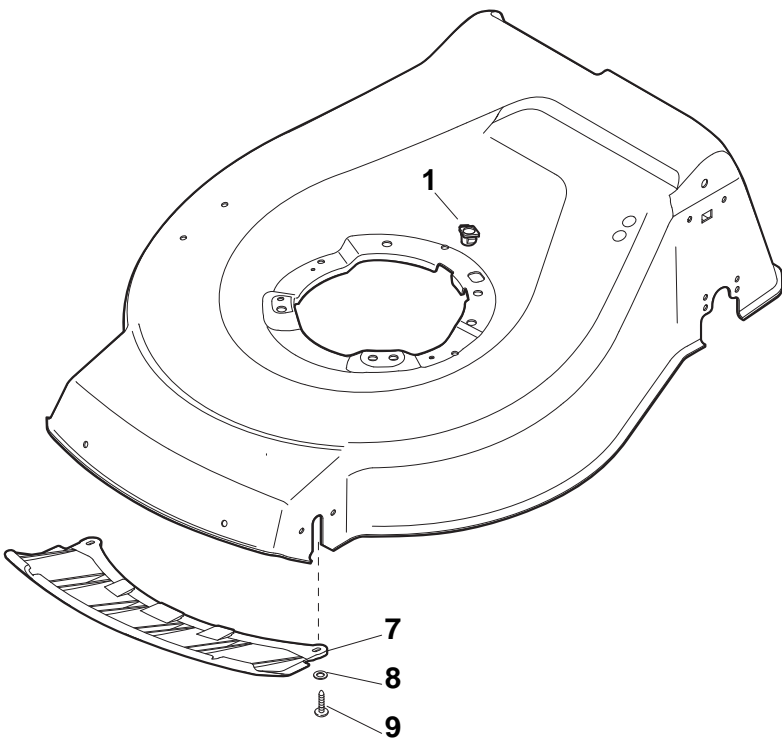
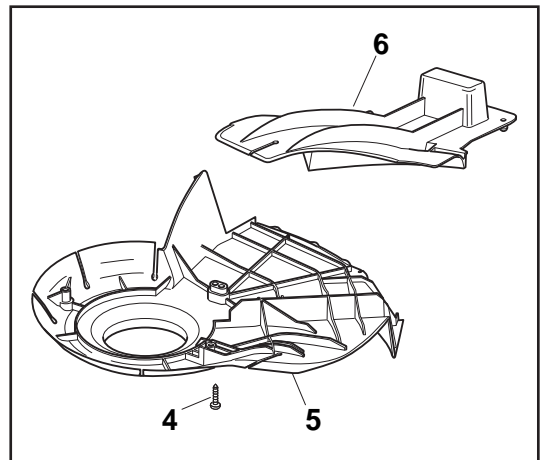
CARTER STANDARD (No Mulching)



CARTER MULCHING (No Mulching)

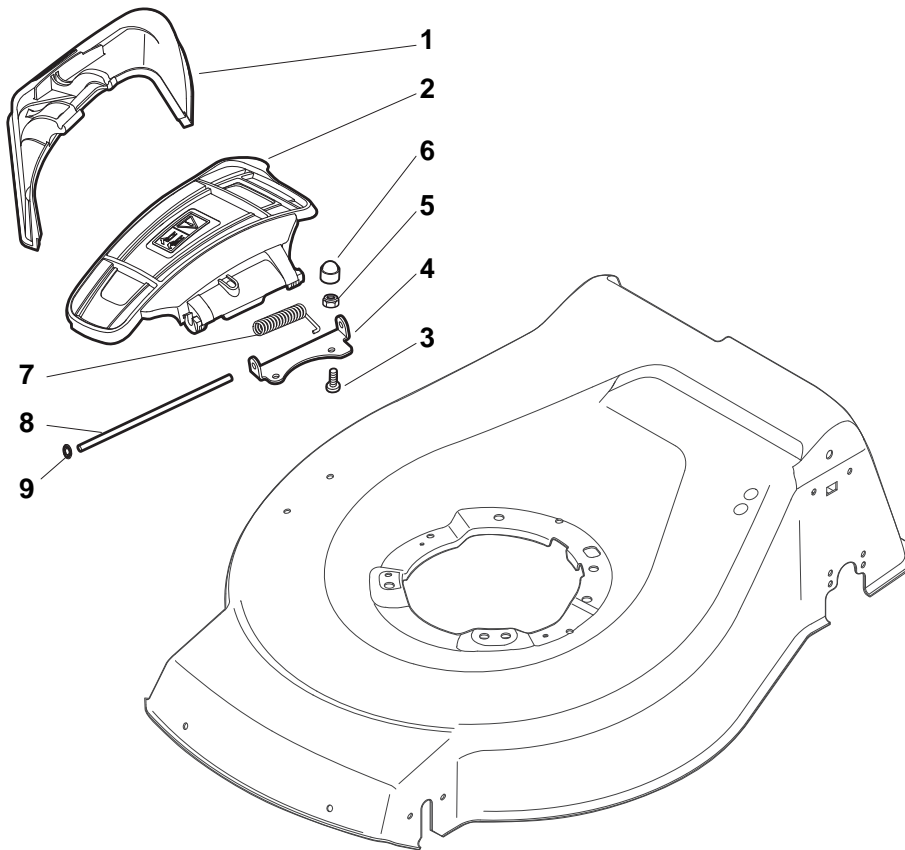


KIT MULCHING



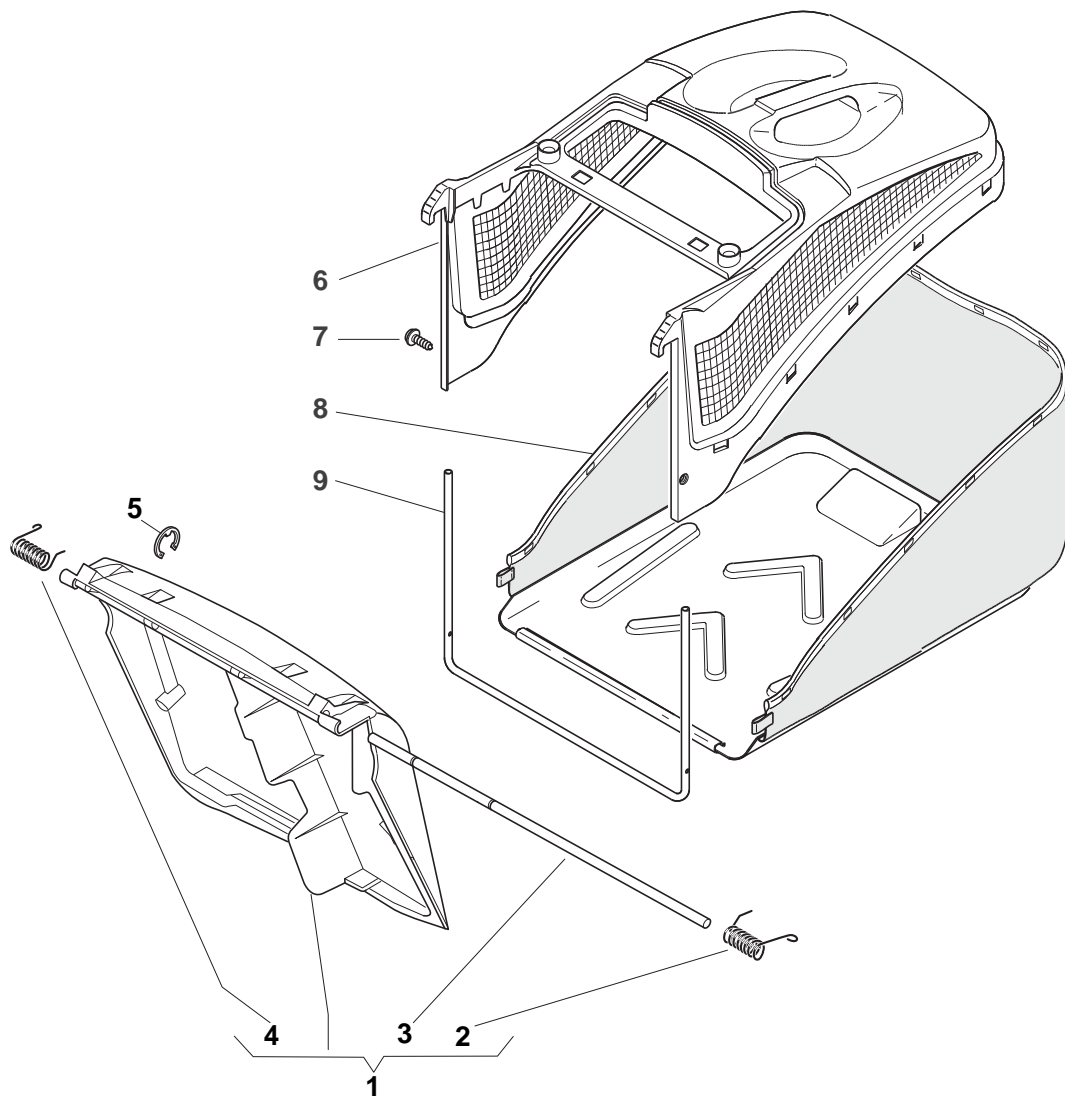
Carter

POS	PART. NO	Q.ty	DESCRIPTION	DESCRIZIONE	DESCRIPTION	BESCHREIBUNG	REMARKS
1	322291150/0	1	Rubber Insert	Inserto In Gomma	Insert De	Gummi Einsatz	
2	122060192/0	1	Protection, Belt	Carter Cinghia	Protection Courroire	Schutz, Riemen	
3	112728530/0	1	Screw	Vite	Vis	Schraube	
4	112728530/0	3	Screw	Vite	Vis	Schraube	
5	322060198/1	1	Protection, Belt	Carter Cinghia	Protection Courroire	Schutz, Riemen	
5	322060238/0	1	Protection, Belt	Carter Cinghia	Protection Courroire	Schutz, Riemen	for BBC models
6	322140223/0	1	Deflector	Deflettore	Deflecteur	Abweiser	
7	322500102/0	1	Front Combi	Pettine Anteriore	Vorne Comb	Peigne Avant	
8	112523000/1	2	Washer	Rosetta	Rondelle	Scheibe	
9	112728124/0	2	Screw	Vite	Vis	Schraube	



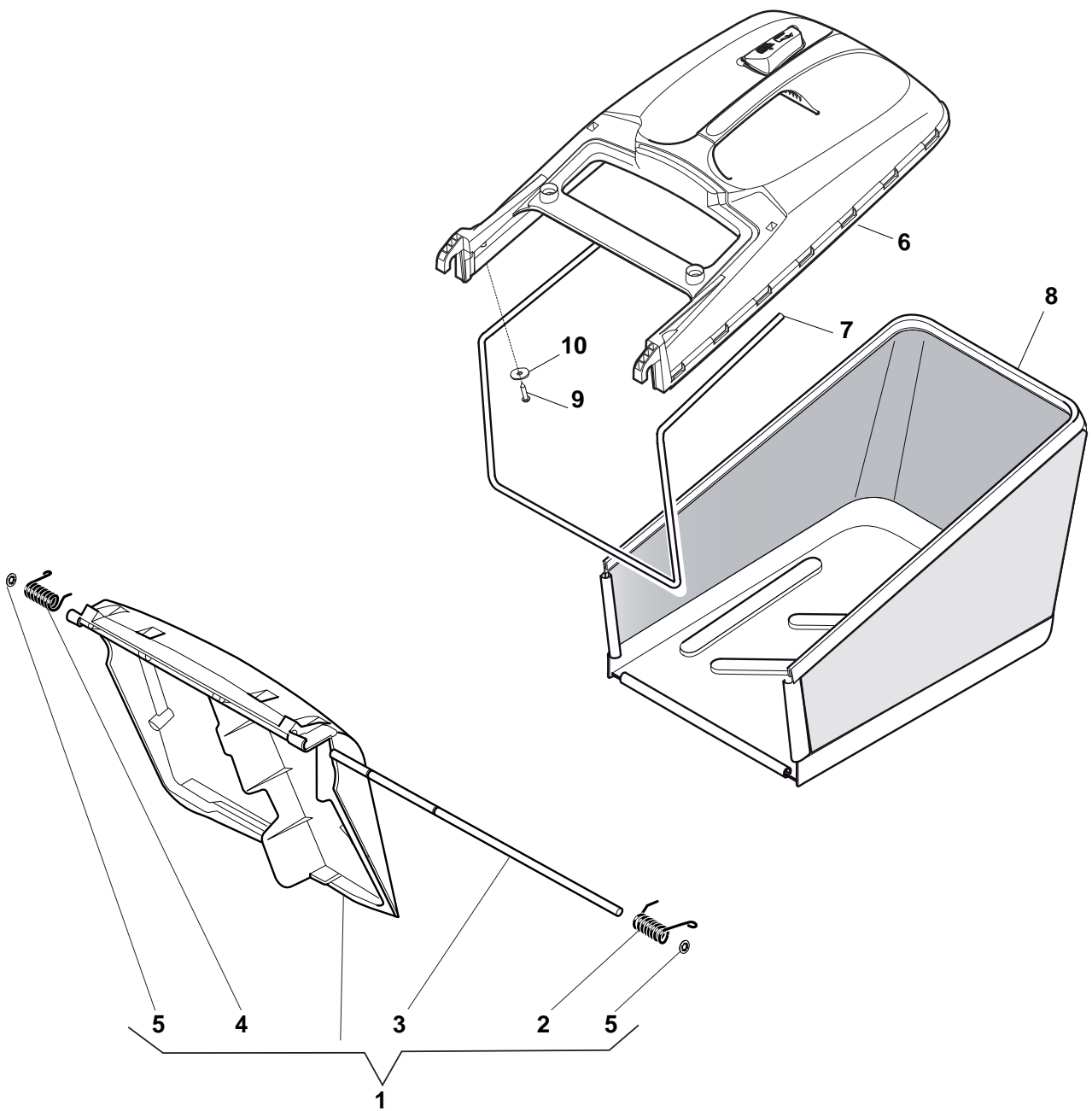
Side Discharge

POS	PART. NO	Q.ty	DESCRIPTION	DESCRIZIONE	DESCRIPTION	BESCHREIBUNG	REMARKS
1	322108295/0	1	Stone-Guard	Parasassi	Pare-Pierres	Prallblech	
2	322600195/0	1	Ejection Guard	Protezione Uscita	Protection Sortie	Auswurfschutz	
3	112727803/0	2	Screw	Vite	Vis	Schraube	
4	322806643/0	1	Fulcrum Pin	Perno Fulcro	Pivot	Gelenkpunkt	
5	112154510/0	2	Nut	Dado	Ecrou	Mutter	
6	118203853/0	2	Protection	Cappuccio	Capuchon	Stecker	
7	122450456/0	1	Spring	Molla	Ressort	Feder	
8	122517869/0	1	Pin	Perno	Pivot	Bolzen	
9	112604896/0	2	Crown Fastener	Fissatore A Corona	Fixateur A Couronne	Kronescheibe	



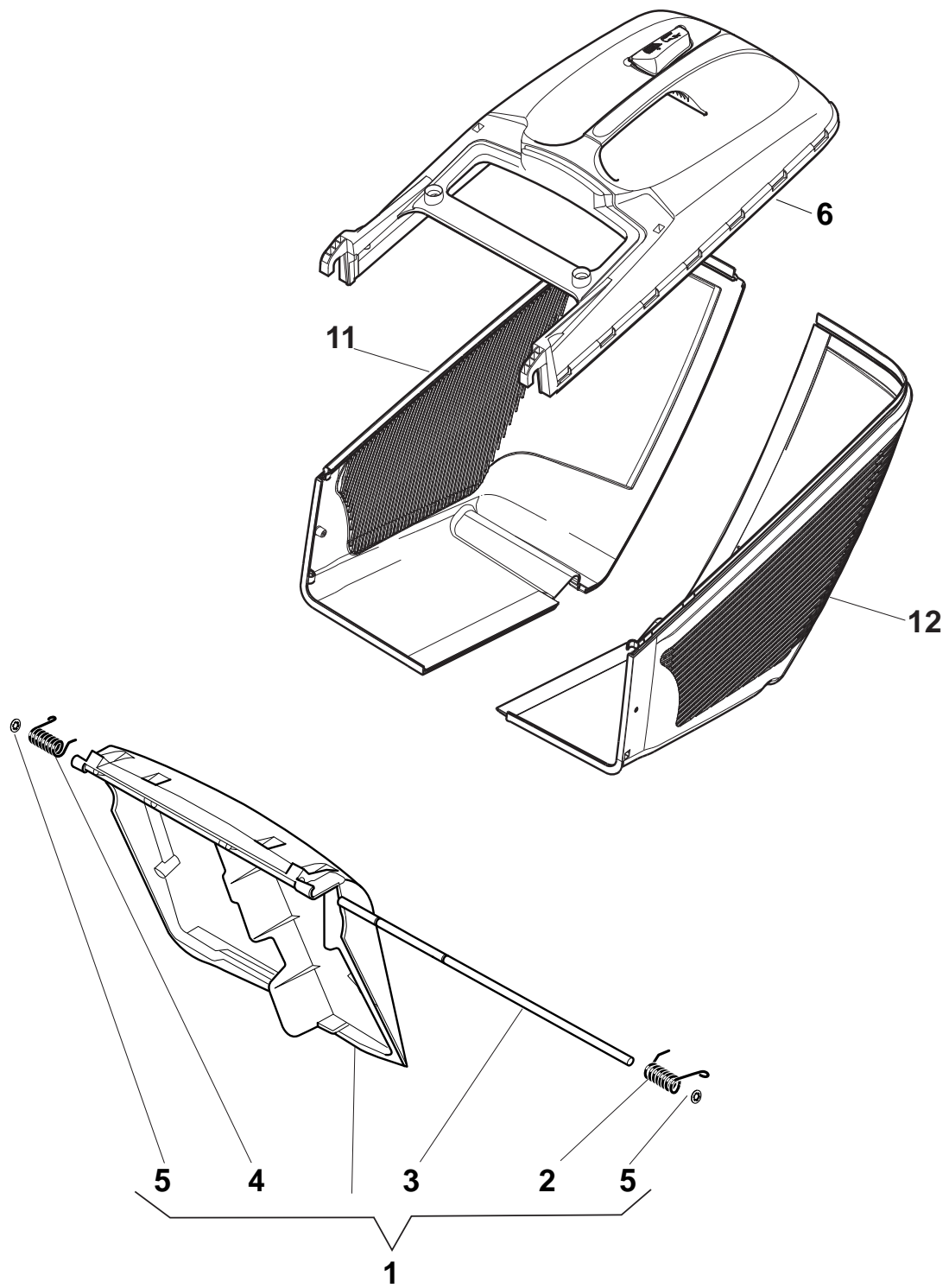
Hybrid Grass-Catcher

POS	PART. NO	Q.ty	DESCRIPTION	DESCRIZIONE	DESCRIPTION	BESCHREIBUNG	REMARKS
1	381008021/2	1	Stone-Guard	Parasassi	Pare-Pierres	Prallblech	
2	122450420/1	1	L Spring	Molla Sx	Ressort G	Linke Feder	
3	122517906/1	1	Pin	Perno	Pivot	Bolzen	
4	122450410/1	1	R Spring	Molla Dx	Ressort D	Rechte Feder	
5	112000930/0	1	Snap Ring	Anello Elastico	Anneau Ressort	Sprengring	
6	122486093/0	1	Grass-Box, Upper	Sacco, Parte Sup	Sac, Partie Superieure	Korb, Oberteil	
7	112728445/0	2	Screw	Vite	Vis	Schraube	
8	181002195/0	1	Box, Fabric	Sacco, Tela	Sac, Toile	Sack, Tuck	
9	122608523/0	1	Stiffening Lower	Rinforzo Inf	Réinforcement Inf	Verstärkung Untere	

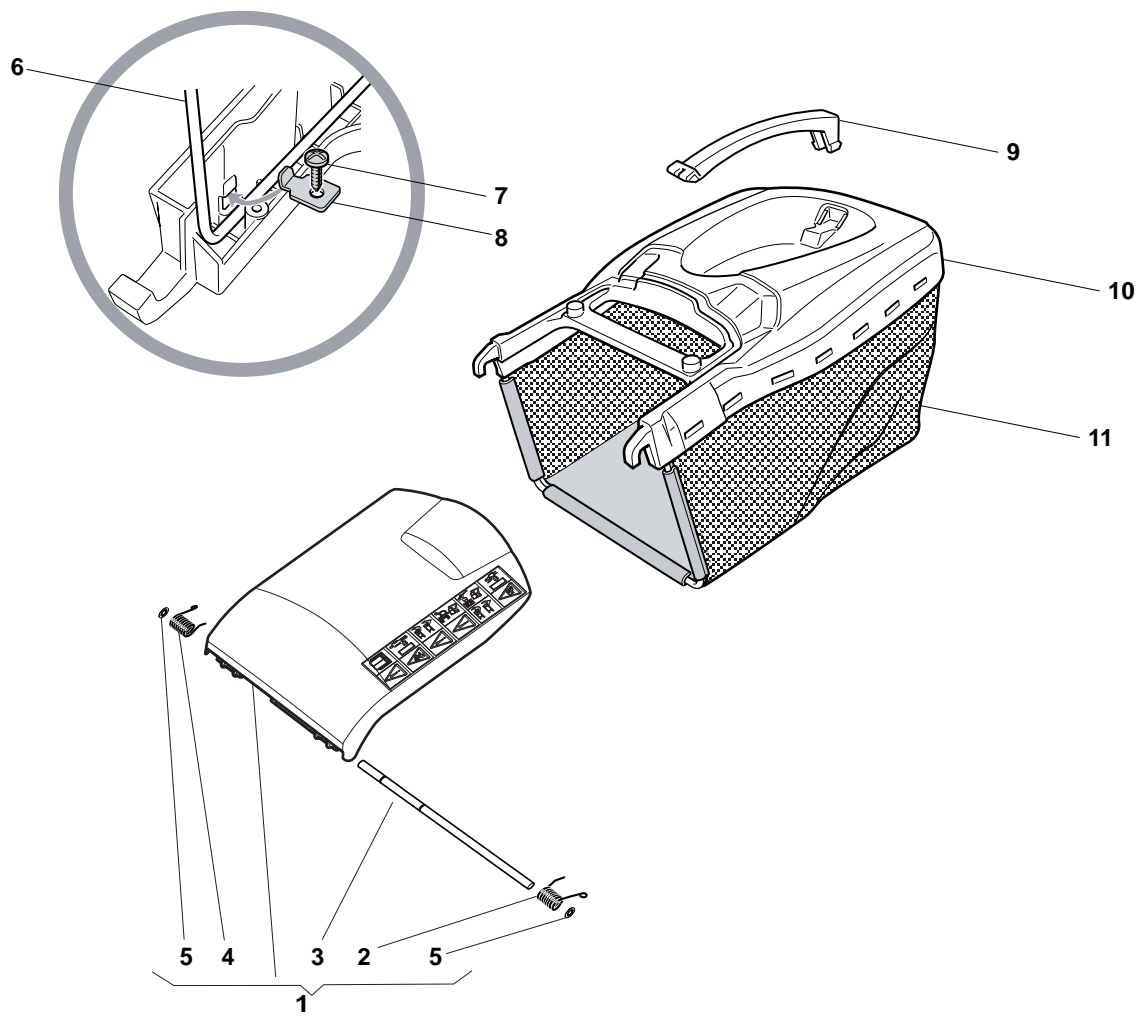


Hybrid Grass-Catcher

POS	PART. NO	Q.ty	DESCRIPTION	DESCRIZIONE	DESCRIPTION	BESCHREIBUNG	REMARKS
1	381008081/2	1	Stone-Guard Black	Parasassi Nero	Pare-Pierres, Noir	Prallblech, Schwarz	Black
1	381008082/2	1	Stone-Guard Yellow	Parasassi Giallo	Pare-Pierres, Jaune	Prallblech, Gelb	Yellow
2	122450466/0	1	L Spring	Molla Sx	Ressort G	Linke Feder	
3	122517882/0	1	Pin	Perno	Pivot	Bolzen	
4	122450465/0	1	R Spring	Molla Dx	Ressort D	Rechte Feder	
5	112604899/0	2	Crown Fastener	Fissatore A Corona	Fixateur A Couronne	Kronescheibe	
6	381486008/0	6	Grass-Box, Upper Part	Sacco, Parte Sup	Sac, Partie Superieure	Korb, Oberteil	Black
6	381486012/0	6	Grass-Box, Upper Part	Sacco, Parte Sup	Sac, Partie Superieure	Korb, Oberteil	Yellow
7	122608525/0	1	Stiffening Lower	Rinforzo Inf	Réinforcement Inf	Verstärkung Untere	
8	181002211/0	1	Box, Fabric	Sacco, Tela	Sac, Toile	Sack, Tuck	
9	112728680/0	2	Screw	Vite	Vis	Schraube	
10	112523050/0	2	Washer	Rosetta	Rondelle	Scheibe	

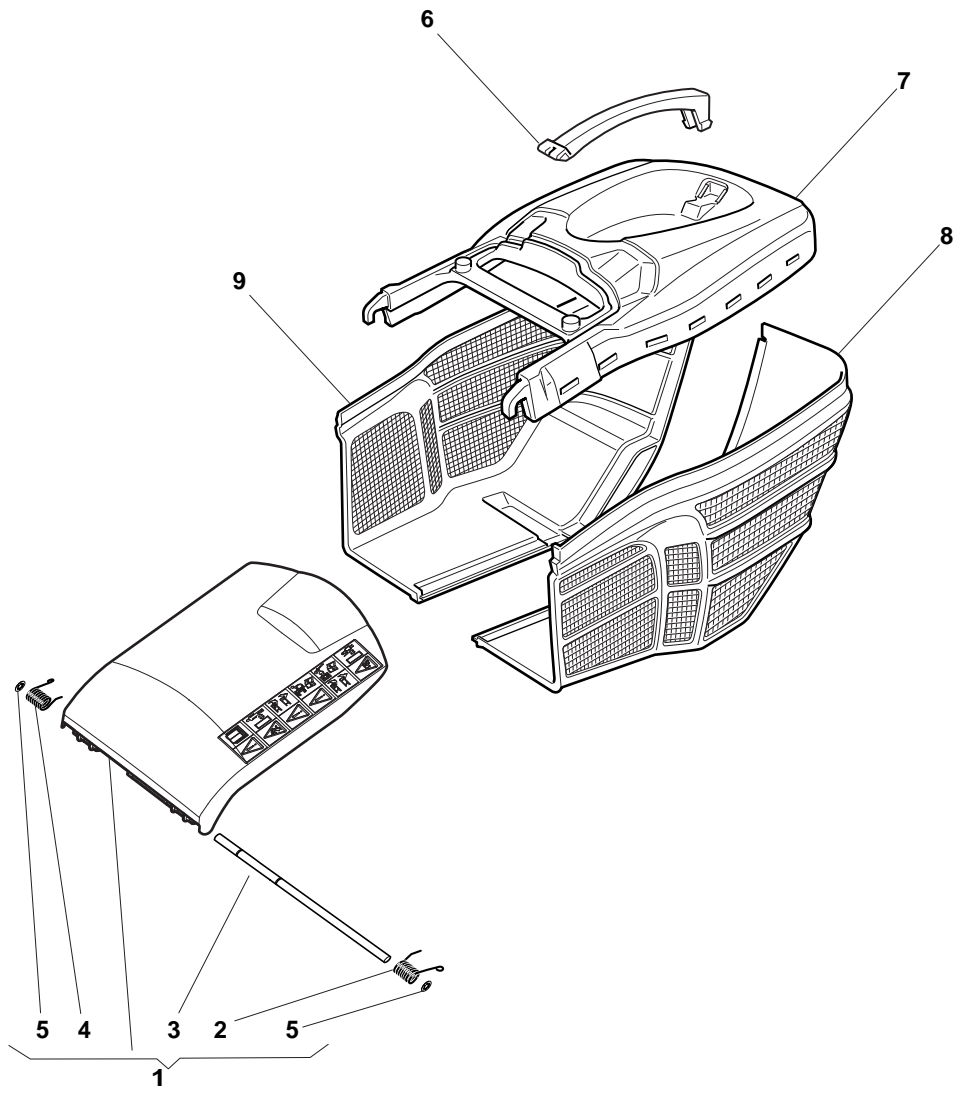


Plastic Grass-Catcher							
POS	PART. NO	Q.ty	DESCRIPTION	DESCRIZIONE	DESCRIPTION	BESCHREIBUNG	REMARKS
1	381008081/2	1	Stone-Guard Black	Parasassi Nero	Pare-Pierres, Noir	Prallblech, Schwarz	Black
1	381008082/2	1	Stone-Guard Yellow	Parasassi Giallo	Pare-Pierres, Jaune	Prallblech, Gelb	Yellow
2	122450466/0	1	L Spring	Molla Sx	Ressort G	Linke Feder	
3	122517882/0	1	Pin	Perno	Pivot	Bolzen	
4	122450465/0	1	R Spring	Molla Dx	Ressort D	Rechte Feder	
5	112604899/0	2	Crown Fastener	Fissatore A Corona	Fixateur A Couronne	Kronescheibe	
6	381486008/0	6	Grass-Box, Upper Part	Sacco, Parte Sup	Sac, Partie Superieure	Korb, Oberteil	Black
6	381486012/0	6	Grass-Box, Upper Part	Sacco, Parte Sup	Sac, Partie Superieure	Korb, Oberteil	Yellow
11	322486150/1	1	Grass-Box, R Lower	Sacco, Parte Inf Dx	Sac, Partie Inferieure D	Korb, R Unterteil	
12	322486151/1	1	Grass-Box, L Lower	Sacco, Parte Inf Sx	Sac, Partie Inferieure G	Korb, L Unterteil	



Hybrid Grass-Catcher, DELTA

POS	PART. NO	Q.ty	DESCRIPTION	DESCRIZIONE	DESCRIPTION	BESCHREIBUNG	REMARKS
1	381008128/0	1	Stone-Guard	Parasassi	Pare-Pierres	Prallblech	
2	122450466/0	1	L Spring	Molla Sx	Ressort G	Linke Feder	
3	122517882/0	1	Pin	Perno	Pivot	Bolzen	
4	122450465/0	1	R Spring	Molla Dx	Ressort D	Rechte Feder	
5	112604899/0	2	Crown Fastener	Fissatore A Corona	Fixateur A Couronne	Kronescheibe	
6	122608505/0	1	Stiffening	Rinforzo	Renforcement	Verstaerkung	
7	112728680/0	2	Screw	Vite	Vis	Schraube	
8	322545159/0	2	Plate	Piastrina	Plaquette	Plättchen	
9	322393657/0	1	Handle	Maniglia	Poignée	Griff	
10	381486009/0	1	Grass-Box, Upper	Sacco, Parte Sup	Sac, Partie Superieure	Korb, Oberteil	
11	181002345/0	1	Box, Fabric	Sacco, Tela	Sac, Toile	Sack, Tuck	



Plastic Grass-Catcher, DELTA

POS	PART. NO	Q.ty	DESCRIPTION	DESCRIZIONE	DESCRIPTION	BESCHREIBUNG	REMARKS
1	381008128/0	1	Stone-Guard	Parasassi	Pare-Pierres	Prallblech	
2	122450466/0	1	L Spring	Molla Sx	Ressort G	Linke Feder	
3	122517882/0	1	Pin	Perno	Pivot	Bolzen	
4	122450465/0	1	R Spring	Molla Dx	Ressort D	Rechte Feder	
5	112604899/0	2	Crown Fastener	Fissatore A Corona	Fixateur A Couronne	Kronescheibe	
6	322393657/0	1	Handle	Maniglia	Poignée	Griff	
7	381486009/0	1	Grass-Box, Upper	Sacco, Parte Sup	Sac, Partie Superieure	Korb, Oberteil	
8	322486306/0	1	Grass-Box, L Lower	Sacco, Parte Inf Sx	Sac, Partie Inferieure G	Korb, L Unterteil	
9	322486305/0	1	Grass-Box, R Lower	Sacco, Parte Inf Dx	Sac, Partie Inferieure D	Korb, R Unterteil	