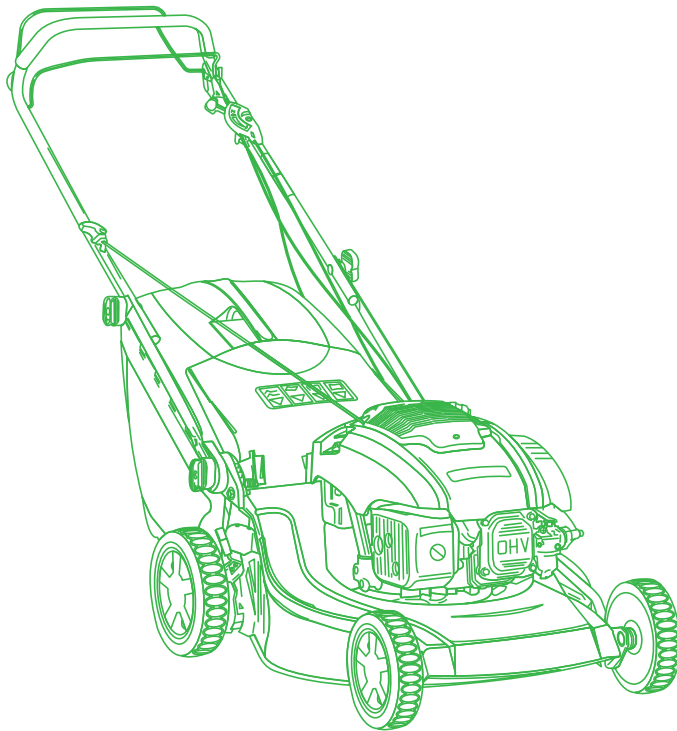


ILLUSTRATED PARTS LIST

EP 414



- Use GLOBAL GARDEN PRODUCT Genuine Spare Parts specified in the parts list for repair and/or replacement.
- The contents described in the parts list may change due to improvement.
- The drawings of the spare parts are only indicative and might not represent the part in question exactly.
- The indications "right" - "left" - "front" - "rear" refer to the position of the operator when using the machine.
- When placing orders of parts for repair and/or replacement, make sure that the illustrated parts list is the one applying to the machine's year of manufacture, as shown on the identification plate attached to the machine.

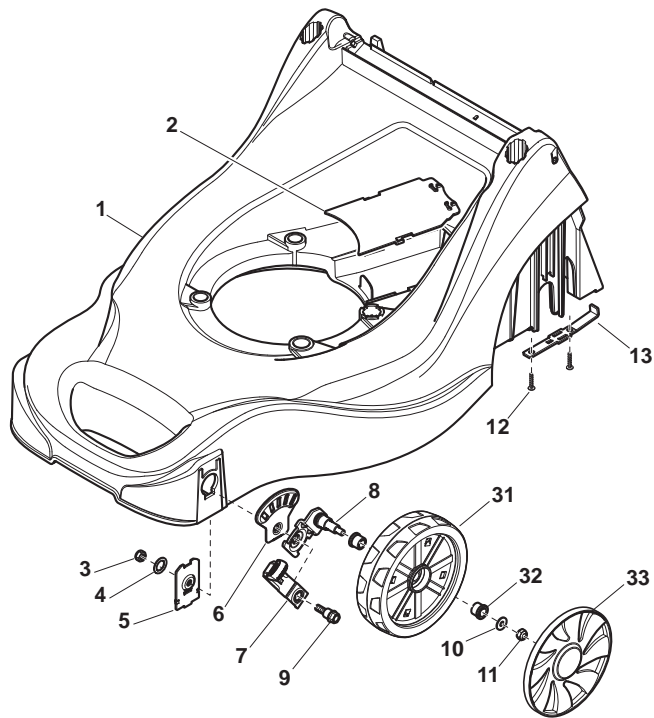
© Copyright 2014 Global Garden Products

All content is subject to copyright by Global Garden Products and may not be reproduced in whole or in part by any means, electronic or otherwise, without prior written approval.

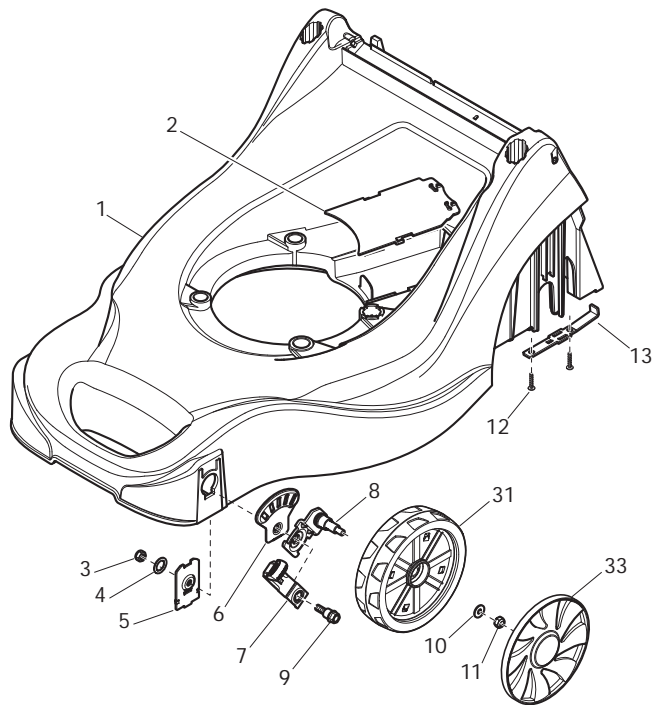
THIS INFORMATION IS NOT INTENDED FOR SALE OR RESALE, AND THIS NOTICE MUST REMAIN ON ALL COPIES.



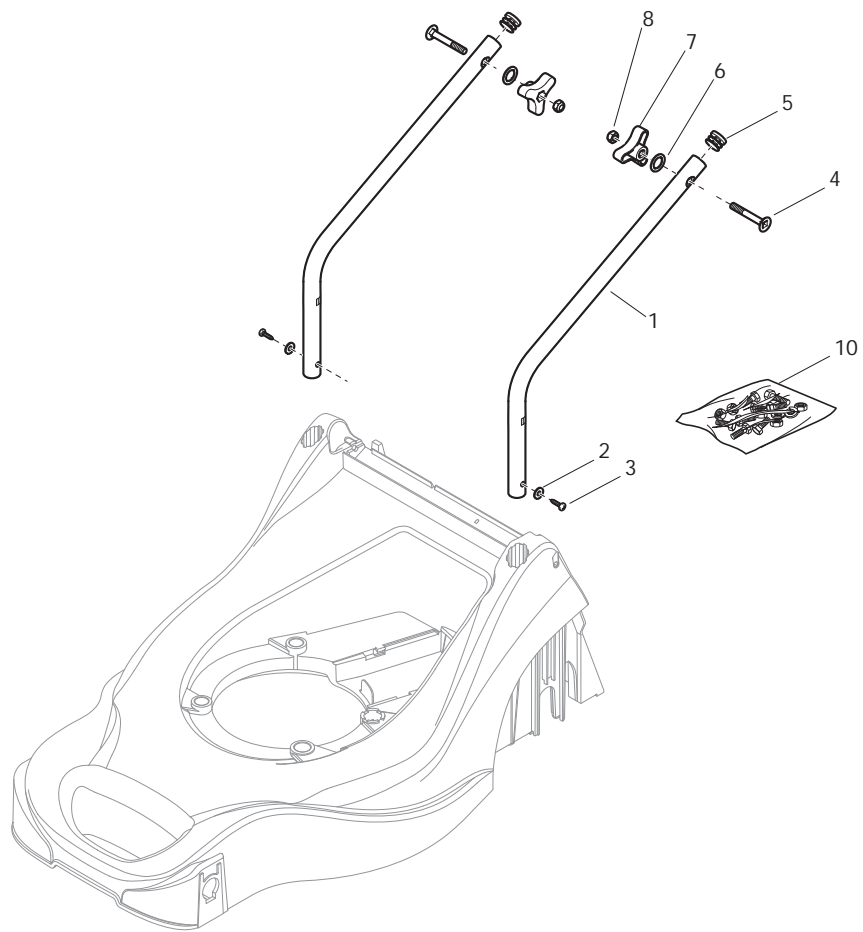
GLOBAL GARDEN PRODUCTS



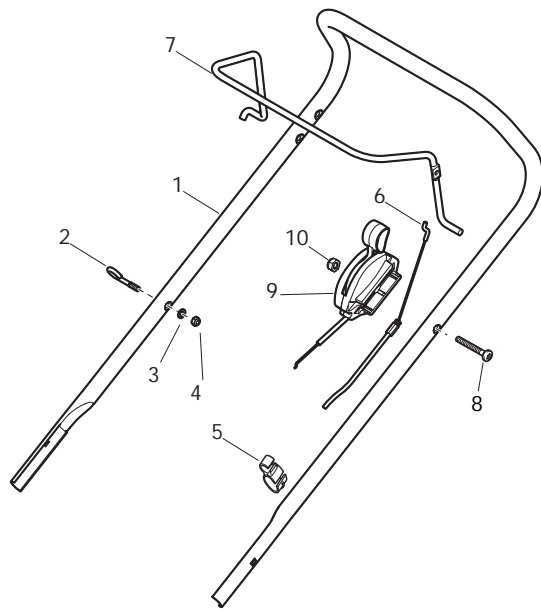
POS	PART. NO	Q.ty	DESCRIPTION	DESCRIZIONE	DESCRIPTION	BESCHREIBUNG	REMARKS
1	322066750/0	1	Deck Red	Chassis Rosso	Châssis Rouge	Gehäuse Rot	
2	322060245/0	1	Protection, Belt	Carter Cinghia	Protection Courroie	Schutz, Riemen	
3	112154210/0	4	Nut	Dado	Ecrou	Mutter	
4	112540060/0	4	Washer	Rosetta	Rondelle	Scheibe	
5	322785361/0	4	Support, Wheels	Supporto Ruote	Support Roue	Halter, Rad	
6	322735599/0	4	Sector, Height Adj.	Settore Di Regolazione	Secteur Reglage Hauteur	Sektor, Höheverstellung	
7	381003352/0	4	Lever, Height Adjustment	Leva Regolazione Altezza	Levier Reglage Hauteur	Hebel, Höneverstellung	
8	381005089/0	4	Support, Wheel	Supporto Ruota	Support Roue	Halter, Rad	
9	122519811/0	4	Pin	Perno	Pivot	Bolzen	
10	112521350/0	4	Washer	Rosetta	Rondelle	Scheibe	
11	112155000/0	4	Nut	Dado	Ecrou	Mutter	
12	112728690/0	4	Screw	Vite	Vis	Schraube	
13	322608563/0	2	Rear Stiffening	Rinforzo Posteriore	Réinforcement Arriere	Hinterverstärkung	
31	322686101/0	4	Wheel Ø 175	Ruota Ø 175	Roue Ø 175	Rad Ø 175	
32	322034516/0	8	Bush	Bussola	Douille	Büchse	
33	322110642/0	4	Hub Cap Grey	Coprimezzo Grigio	Couvre-Moyeu Gris	Radkappe Grau	



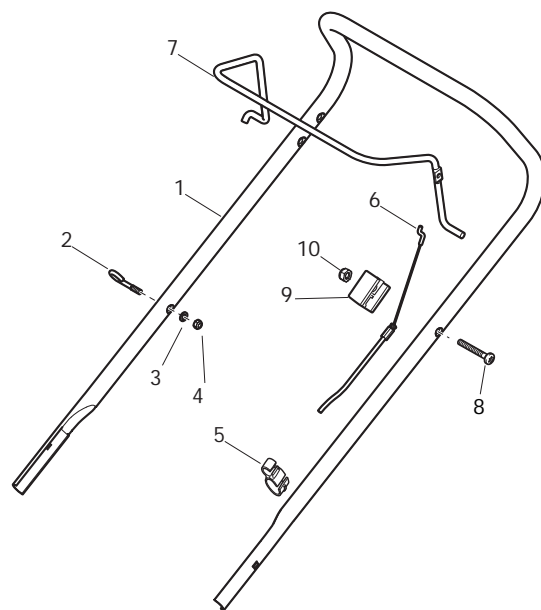
POS	PART. NO	Q.ty	DESCRIPTION	DESCRIZIONE	DESCRIPTION	BESCHREIBUNG	REMARKS
1	322066750/0	1	Deck Red	Chassis Rosso	Châssis Rouge	Gehäuse Rot	
2	322060245/0	1	Protection, Belt	Carter Cinghia	Protection Courroie	Schutz, Riemen	
3	112154210/0	4	Nut	Dado	Ecrou	Mutter	
4	112540060/0	4	Washer	Rosetta	Rondelle	Scheibe	
5	322785361/0	4	Support, Wheels	Supporto Ruote	Support Roue	Halter, Rad	
6	322735599/0	4	Sector, Height Adj.	Settore Di Regolazione	Secteur Reglage Hauteur	Sektor, Höheverstellung	
7	381003352/0	4	Lever, Height Adjustment	Leva Regolazione Altezza	Levier Reglage Hauteur	Hebel, Höneverstellung	
8	381005089/0	4	Support, Wheel	Supporto Ruota	Support Roue	Halter, Rad	
9	122519811/0	4	Pin	Perno	Pivot	Bolzen	
10	112521350/0	4	Washer	Rosetta	Rondelle	Scheibe	
11	112155000/0	4	Nut	Dado	Ecrou	Mutter	
12	112728690/0	4	Screw	Vite	Vis	Schraube	
13	322608563/0	2	Rear Stiffening	Rinforzo Posteriore	Réinforcement Arriere	Hinterverstärkung	
31	322686100/0	4	Wheel Ø 175	Ruota Ø 175	Roue Ø 175	Rad Ø 175	
33	322110642/0	4	Hub Cap Grey	Coprizzo Grigio	Couvre-Moyeu Gris	Radkappe Grau	



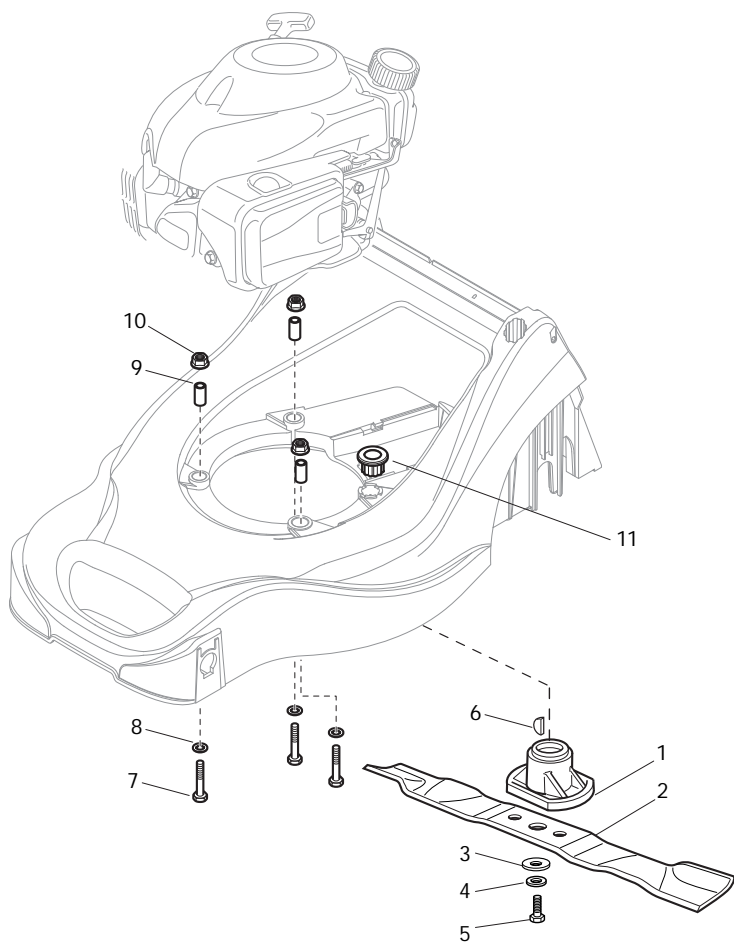
POS	PART. NO	Q.ty	DESCRIPTION	DESCRIZIONE	DESCRIPTION	BESCHREIBUNG	REMARKS
1	381006769/0	2	Handle, Lower Part	Parte Inf Maniglia	Poignée, Partie Inferieure	Griff, Unterteil	
2	112523020/0	2	Washer	Rosetta	Rondelle	Scheibe	
3	112728450/0	2	Screw	Vite	Vis	Schraube	
4	112819110/0	2	Screw	Vite	Vis	Schraube	
5	118566110/0	2	Cap	Puntale	Bouchon	Gummistopfen	
6	122671651/0	2	Washer	Rosetta	Rondelle	Scheibe	
7	122399900/0	2	Knob	Manopolina	Poignée	Griff	
8	112293200/0	2	Nut	Dado	Ecrou	Mutter	
10	381008687/0	1	Outfit, Screws	Dotazione Viteria	Dotation Visserie	Satz, Schrauben	



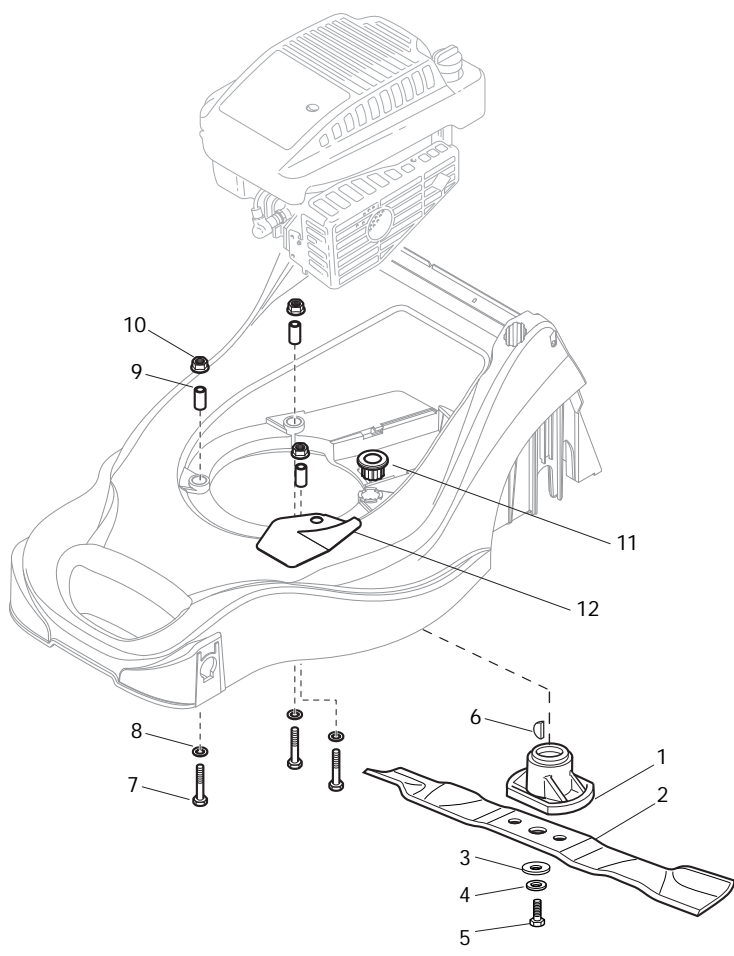
POS	PART. NO	Q.ty	DESCRIPTION	DESCRIZIONE	DESCRIPTION	BESCHREIBUNG	REMARKS
1	381006739/0	1	Handle, Upper Part	Manico, Parte Sup	Mancheron, Partie Superieure	Holm, Oberteil	
2	122430313/0	1	Guide Spring	Molla Guida	Ressort De Guide	Feder Führer	
3	112521330/0	1	Washer	Rosetta	Rondelle	Scheibe	
4	112154510/0	1	Nut	Dado	Ecrou	Mutter	
5	118390020/0	1	Fairlead	Fermacavo	Fixation Cable	Kabelbefestigung	
6	181030053/0	1	Cable, Thread Engine Brake	Cavo Freno Motore	Cable Frein Moteur	Kabel, Motorbremse	GGP150cc
6	181030079/0	1	Cable, Thread Engine Brake	Cavo Freno Motore	Cable Frein Moteur	Kabel, Motorbremse	GGP100cc-Honda-B&S
7	181003363/1	1	Lever, Engine Brake Black	Leva Freno Motore Nero	Levier Frein Moteur Noir	Hebel, Motorbremse Schwarz	
8	112727788/0	1	Screw	Vite	Vis	Schraube	
9	181005504/1	1	Throttle Cable	Cavo Acceleratore	Cable, Accelérateur	Gashebel Kabel	GGP150cc
9	181005518/0	1	Throttle Cable	Cavo Acceleratore	Cable, Accelérateur	Gashebel Kabel	B&S
9	181005524/0	1	Throttle Cable	Cavo Acceleratore	Cable, Accelérateur	Gashebel Kabel	GGP100cc-Honda
10	112154510/0	1	Nut	Dado	Ecrou	Mutter	



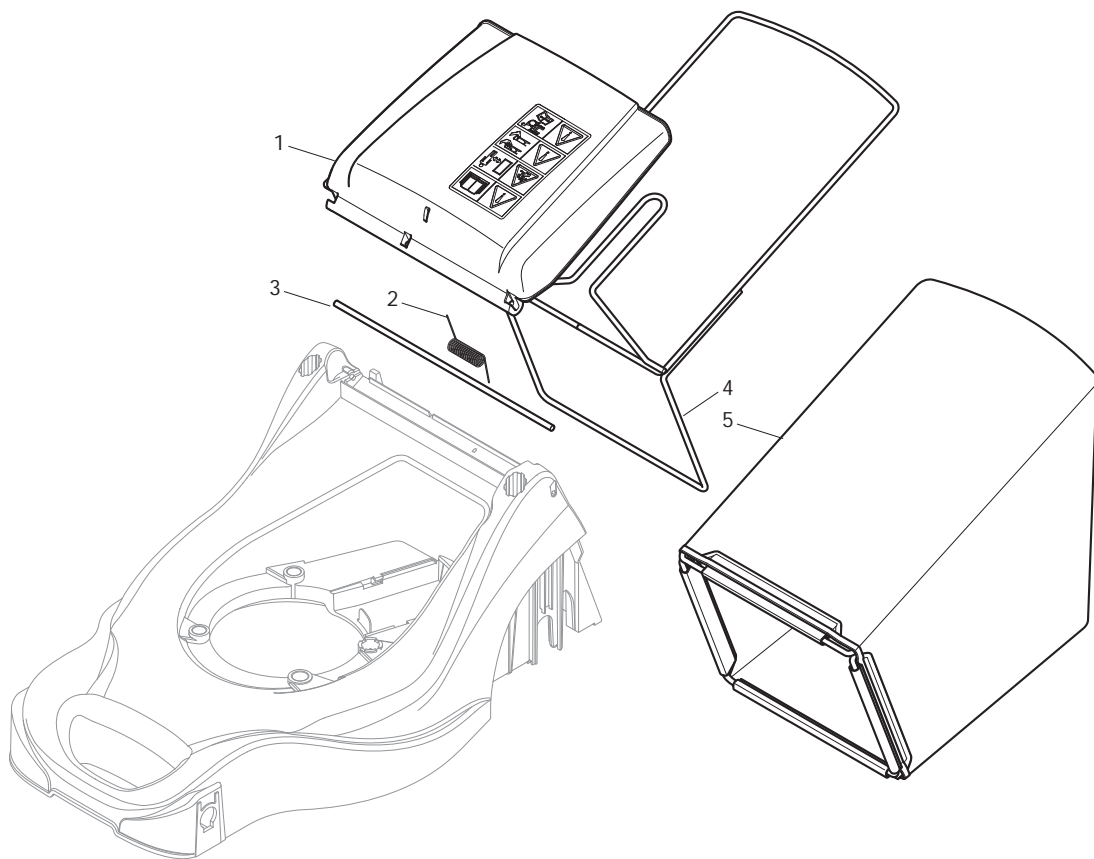
POS	PART. NO	Q.ty	DESCRIPTION	DESCRIZIONE	DESCRIPTION	BESCHREIBUNG	REMARKS
1	381006739/0	1	Handle, Upper Part	Manico, Parte Sup	Mancheron, Partie Superieure	Holm, Oberteil	
2	122430313/0	1	Guide Spring	Molla Guida	Ressort De Guide	Feder Führer	
3	112521330/0	1	Washer	Rosetta	Rondelle	Scheibe	
4	112154510/0	1	Nut	Dado	Ecrou	Mutter	
5	118390020/0	1	Fairlead	Fermacavo	Fixation Cable	Kabelbefestigung	
6	181030053/0	1	Cable, Thread Engine Brake	Cavo Freno Motore	Cable Frein Moteur	Kabel, Motorbremse	GGP150cc
6	181030079/0	1	Cable, Thread Engine Brake	Cavo Freno Motore	Cable Frein Moteur	Kabel, Motorbremse	GGP100cc-Honda-B&S
7	181003363/1	1	Lever, Engine Brake Black	Leva Freno Motore Nero	Levier Frein Moteur Noir	Hebel, Motorbremse Schwarz	
8	112727783/0	1	Screw	Vite	Vis	Schraube	
9	322551640/0	1	Plate	Piastrina	Plaquette	Plättchen	
10	112154510/0	1	Nut	Dado	Ecrou	Mutter	



POS	PART. NO	Q.ty	DESCRIPTION	DESCRIZIONE	DESCRIPTION	BESCHREIBUNG	REMARKS
1	122463012/2	1	Hub, Crankshaft Ø 22.2	Mozzo, Albero Motore Ø 22.2	Moyeu, Arbre Moteur Ø 22.2	Nabe, Motorwelle Ø 22.2	GGP
1	122463020/1	1	Hub, Crankshaft Ø 25	Mozzo, Albero Motore Ø 25	Moyeu, Arbre Moteur Ø 25	Nabe, Motorwelle Ø 25	Honda
2	181004360/3	1	Blade Standard	Coltello Standard	Lame Standard	Messer Standard	
3	122160400/0	1	Elastic Washer	Disco Elastico	Disque Elastique	Federscheibe	
4	112523080/0	1	Washer	Rosetta	Rondelle	Scheibe	
5	112735698/0	1	Screw	Vite	Vis	Schraube	
6	112139100/0	1	Feather, Crankshaft Ø 22.2	Linguetta, Albero Motore Ø 22.2	Clavette, Arbre Moteur Ø 22.2	Keil, Motorwelle Ø 22.2	GGP
6	112139150/0	1	Feather, Crankshaft Ø 25	Linguetta, Albero Motore Ø 25	Clavette, Arbre Moteur Ø 25	Keil, Motorwelle Ø 25	Honda
7	112691910/0	3	Screw	Vite	Vis	Schraube	
8	112523060/0	3	Washer	Rosetta	Rondelle	Scheibe	
9	122167842/0	3	Spacer	Distanziale	Entretoise	Distanzring	
10	112154210/0	3	Nut	Dado	Ecrou	Mutter	
11	122040265/0	1	Bush	Bussola	Douille	Büchse	



POS	PART. NO	Q.ty	DESCRIPTION	DESCRIZIONE	DESCRIPTION	BESCHREIBUNG	REMARKS
1	122463012/2	1	Hub, Crankshaft Ø 22.2	Mozzo, Albero Motore Ø 22.2	Moyeu, Arbre Moteur Ø 22.2	Nabe, Motorwelle Ø 22.2	
2	181004360/3	1	Blade Standard	Coltello Standard	Lame Standard	Messer Standard	
3	122160400/0	1	Elastic Washer	Disco Elastico	Disque Elastique	Federscheibe	
4	112523080/0	1	Washer	Rosetta	Rondelle	Scheibe	
5	112735698/0	1	Screw	Vite	Vis	Schraube	
6	112139100/0	1	Feather, Crankshaft Ø 22.2	Linguetta, Albero Motore Ø 22.2	Clavette, Arbre Moteur Ø 22.2	Keil, Motorwelle Ø 22.2	
7	112691910/0	3	Screw	Vite	Vis	Schraube	
8	112523060/0	3	Washer	Rosetta	Rondelle	Scheibe	
9	122167842/0	3	Spacer	Distanziale	Entretoise	Distanzring	
10	112154210/0	3	Nut	Dado	Ecrou	Mutter	
11	122040265/0	1	Bush	Bussola	Douille	Büchse	
12	322484070/1	1	Muffler Guard	Paracalore	Grille De Protection	Schutzabdeckung	



POS	PART. NO	Q.ty	DESCRIPTION	DESCRIZIONE	DESCRIPTION	BESCHREIBUNG	REMARKS
1	322600212/0	1	Stone-Guard	Parasassi	Pare-Pierres	Prallblech	
2	122450467/0	1	Spring	Molla	Ressort	Feder	
3	122517870/0	1	Pin	Perno	Pivot	Bolzen	
4	181006420/0	1	Chassis Box	Telaio Sacco	Châassis Bac	Rahmen Sack	
5	181002320/0	1	Box, Fabric	Sacco, Tela	Sac, Toile	Sack, Tuck	