

ILLUSTRATED PARTS LIST

MC 504 TR MC 504 TR-E

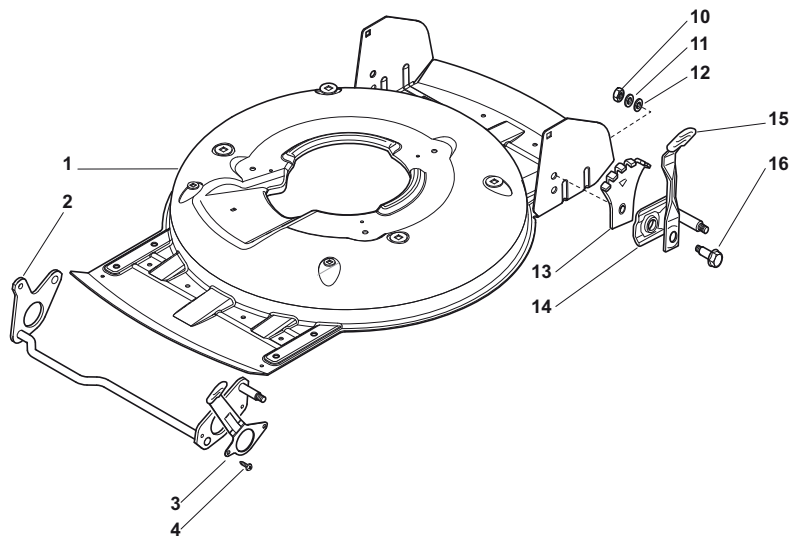


- Use GLOBAL GARDEN PRODUCT Genuine Spare Parts specified in the parts list for repair and/or replacement.
- The contents described in the parts list may change due to improvement.
- The drawings of the spare parts are only indicative and might not represent the part in question exactly.
- The indications "right" - "left" - "front" - "rear" refer to the position of the operator when using the machine.
- When placing orders of parts for repair and/or replacement, make sure that the illustrated parts list is the one applying to the machine's year of manufacture, as shown on the identification plate attached to the machine.

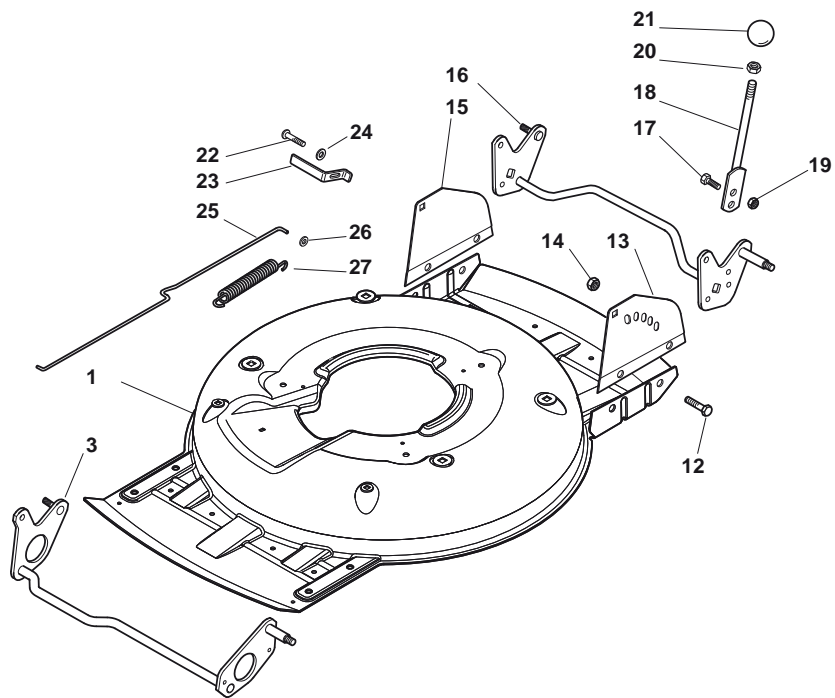
© Copyright 2013 Global Garden Products

All content is subject to copyright by Global Garden Products and may not be reproduced in whole or in part by any means, electronic or otherwise, without prior written approval.

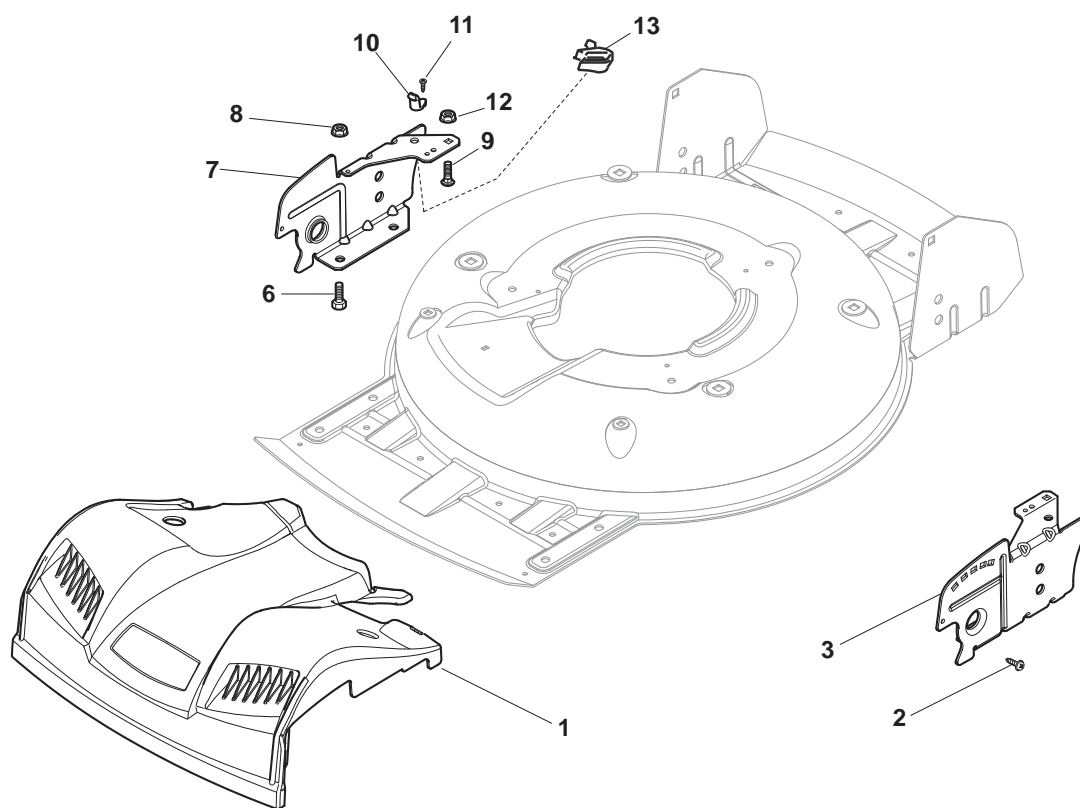
THIS INFORMATION IS NOT INTENDED FOR SALE OR RESALE, AND THIS NOTICE MUST REMAIN ON ALL COPIES.



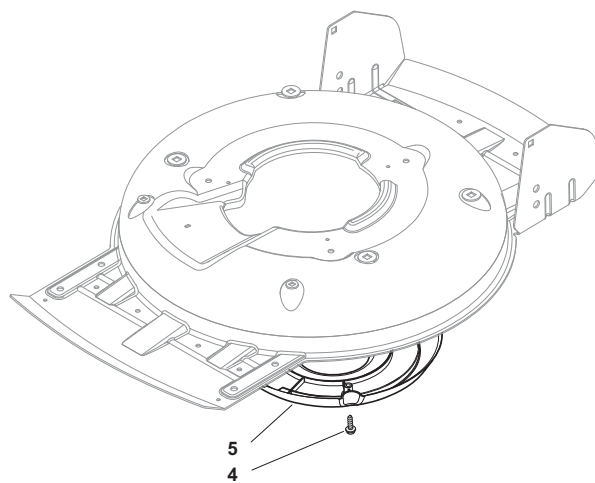
POS	PART. NO	Q.ty	DESCRIPTION	DESCRIZIONE	DESCRIPTION	BESCHREIBUNG	REMARKS
1	381002907/1	1	Deck Yellow	Chassis Giallo	Châssis Jaune	Gehäuse Gelb	
2	381302863/0	1	Axle, Front Wheels	Asse Ruote Anteriori	Axe Roues Avant	Achse, Vorderrad	
3	381003412/0	1	Lever, Height Adjustment	Leva Regolazione Altezza	Levier Reglage Hauteur	Hebel, Höneverstellung	
4	112735661/0	2	Screw	Vite	Vis	Schraube	
10	112293200/0	2	Nut	Dado	Ecrou	Mutter	
11	112583500/0	2	Grower	Grower	Grower	Federring	
12	112523070/0	2	Washer	Rosetta	Rondelle	Scheibe	
13	322735547/0	2	Sector, Height Adjustment	Settore Regolazione Altezza	Secteur Reglage Hauteur	Sektor, Höneverstellung	
14	381005082/0	2	Support, Wheel	Supporto Ruota	Support Roue	Halter, Rad	Ø 190
14	381005175/0	2	Support, Wheel	Supporto Ruota	Support Roue	Halter, Rad	Ø 210
15	481003286/0	2	Lever, Height Adjustment	Leva Regolazione Altezza	Levier Reglage Hauteur	Hebel, Höneverstellung	
16	122519811/0	2	Pin	Perno	Pivot	Bolzen	



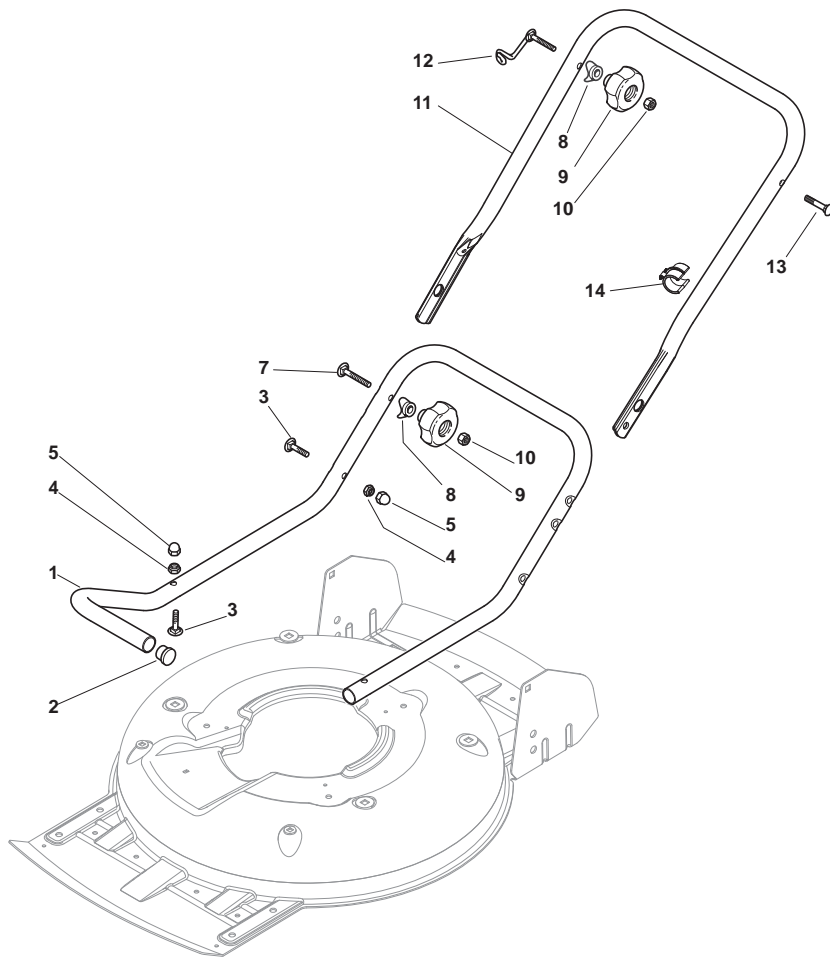
POS	PART. NO	Q.ty	DESCRIPTION	DESCRIZIONE	DESCRIPTION	BESCHREIBUNG	REMARKS
1	322064691/0	1	Deck INOX	Chassis INOX	Châssis INOX	Gehäuse INOX	INOX
1	381002909/1	1	Deck Grey	Chassis Grigio	Châssis Gris	Gehäuse Grau	
3	381302863/0	1	Axle, Front Wheels	Asse Ruote Anteriori	Axe Roues Avant	Achse, Vorderrad	
12	112791011/0	4	Screw	Vite	Vis	Schraube	
13	322545169/0	1	Left Plate, INOX	Piastrina Sinistra, INOX	Plaquette Gauche, INOX	Plättchen Linke, INOX	INOX
13	381545105/0	1	Left Plate	Piastrina Sinistra	Plaquette G	Plättchen L	
14	112154510/0	4	Nut	Dado	Ecrou	Mutter	
15	322545167/0	1	Right Plate, INOX	Piastrina Destra, INOX	Plaquette Droit, INOX	Plättchen Rechte, INOX	INOX
15	381545104/0	1	Right Plate	Piastrina Destra	Plaquette D	Plättchen R	
16	381302861/0	1	Axle, Rear Wheels	Asse Ruote Posteriore	Axe Roues Arriere	Achse, Hinterrad	
17	112789000/0	2	Screw	Vite	Vis	Schraube	
18	381003323/0	1	Lever, Height Adjustment	Leva Regolazione Altezza	Levier Reglage Hauteur	Hebel, Höneverstellung	
19	112154330/0	2	Nut	Dado	Ecrou	Mutter	
20	112293200/0	1	Nut	Dado	Ecrou	Mutter	
21	322399812/0	1	Knob	Manopolina	Poignée	Griff	
22	112735661/0	2	Screw	Vite	Vis	Schraube	
23	322551529/0	2	Plate	Piastrina	Plaquette	Plättchen	
24	112521330/0	2	Washer	Rosetta	Rondelle	Scheibe	
25	122033329/0	1	Rod, Height Adjustment Control	Asta Comando Regolazione Altezza	Tige Commande Reglage Hauteur	Stange, Höneverstellung	
26	112604899/0	2	Crown Fastener	Fissatore A Corona	Fixateur A Couronne	Kronescheibe	
27	122446184/0	1	Spring	Molla	Ressort	Feder	



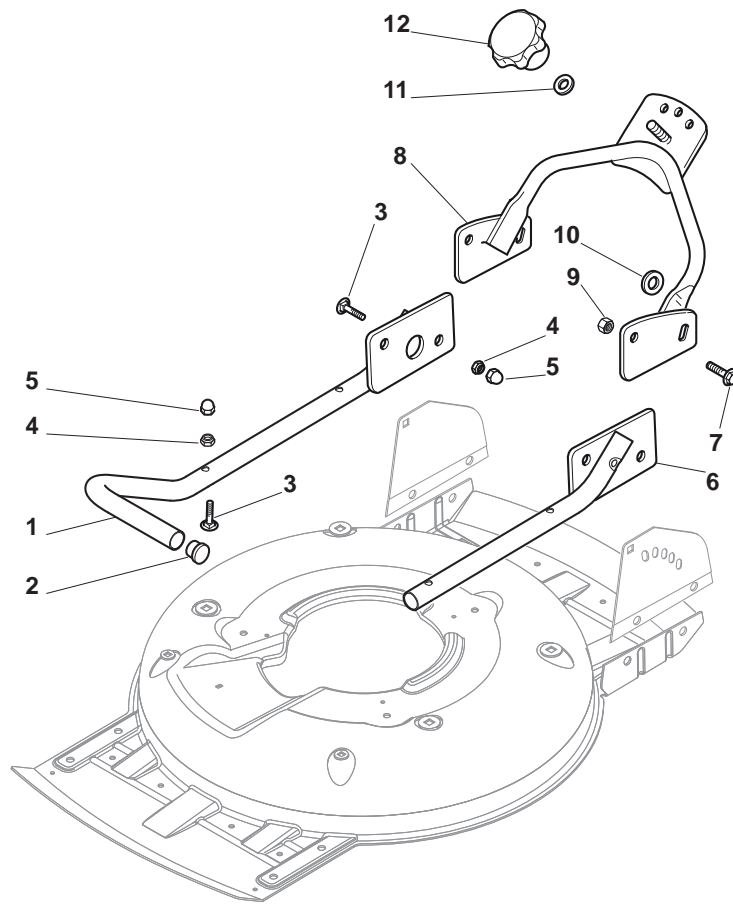
POS	PART. NO	Q.ty	DESCRIPTION	DESCRIZIONE	DESCRIPTION	BESCHREIBUNG	REMARKS
1	322226097/1	1	Mask, Yellow	Mascherina, Giallo	Mesque, Jaune	Maske, Gelb	Yellow
1	322226098/1	1	Mask, Grey	Mascherina, Grigio	Mesque	Maske	Grey
1	322226133/0	1	Mask, Black	Mascherina, Nero	Mesque, Noir	Maske, Schwarz	Black
2	112728450/0	2	Screw	Vite	Vis	Schraube	
3	322778421/0	1	Bracket, L	Staffa Sx	Etrier Gauche	Steigbügel, Linke	
6	112792611/0	4	Screw	Vite	Vis	Schraube	
7	322778419/0	1	Bracket, R	Staffa Dx	Etrier Droit	Steigbügel, Rechte	
8	112293201/0	4	Nut	Dado	Ecrou	Mutter	
9	112815200/0	2	Screw	Vite	Vis	Schraube	
10	322020400/0	2	Fairlead	Aggancio	Support Serrecable	Kabelhalter	
11	112728523/0	2	Screw	Vite	Vis	Schraube	
12	112292102/0	2	Nut	Dado	Ecrou	Mutter	
13	133320506/0	2	Fairlead	Fermacavo	Fixation Cable	Kabelbefestigung	



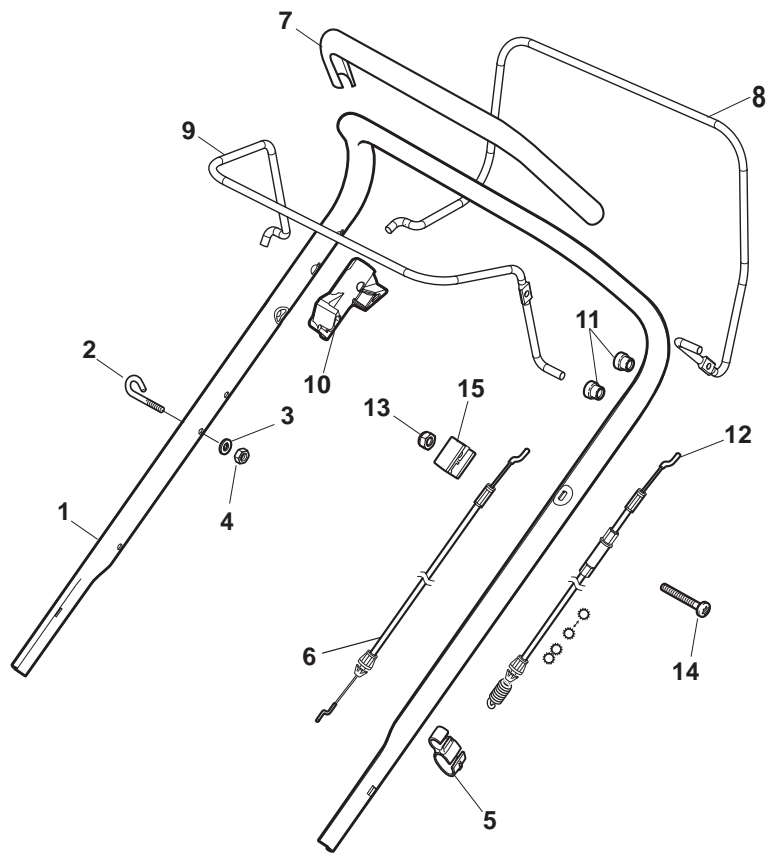
POS	PART. NO	Q.ty	DESCRIPTION	DESCRIZIONE	DESCRIPTION	BESCHREIBUNG	REMARKS
4	112728530/0	3	Screw	Vite	Vis	Schraube	
5	322060220/0	1	Protection	Cappuccio	Capuchon	Stecker	



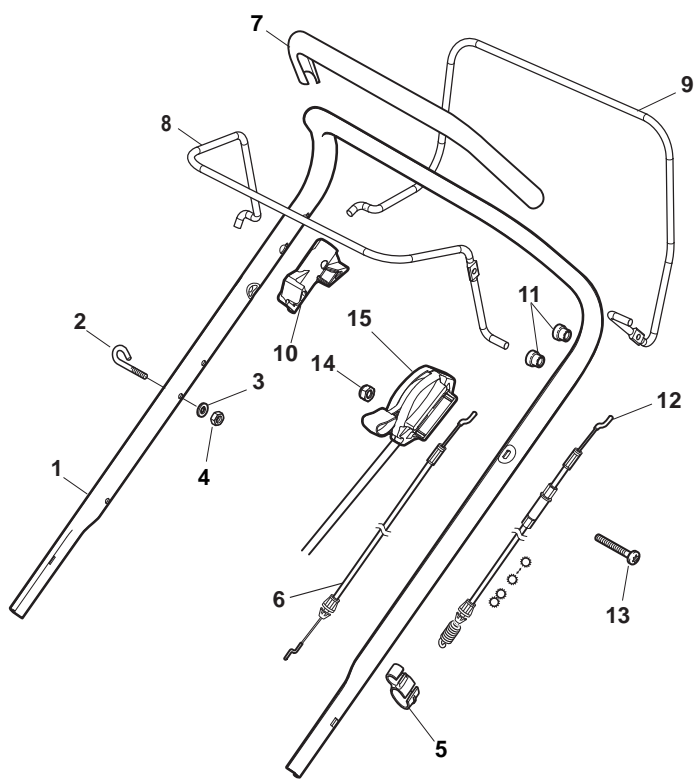
POS	PART. NO	Q.ty	DESCRIPTION	DESCRIZIONE	BESCHREIBUNG	DESCRIPTION	REMARKS
1	381006667/0	1	Handle, Lower Part	Parte Inf Maniglia	Poignée, Partie Inferieure	Griff, Unterteil	
2	118566110/0	2	Cap	Puntale	Bouchon	Gummistopfen	
3	112818900/0	4	Screw	Vite	Vis	Schraube	
4	112155000/0	4	Nut	Dado	Ecrou	Mutter	
5	118203854/0	4	Protection	Cappuccio	Capuchon	Stecker	
7	112819201/0	2	Screw	Vite	Vis	Schraube	
8	122680006/1	4	Washer	Rosetta	Rondelle	Scheibe	
9	322399804/1	4	Knob	Manopolina	Poignée	Griff	
10	112293200/0	4	Nut	Dado	Ecrou	Mutter	
11	381006668/0	1	Handle, Middle Part	Manico, Parte Intermedia	Mancheron	Holm	
12	181003801/1	1	Guide Spring	Molla Guida	Ressort De Guide	Feder Führer	
13	112819201/0	1	Screw	Vite	Vis	Schraube	
14	118390020/0	1	Fairlead	Fermacavo	Fixation Cable	Kabelbefestigung	



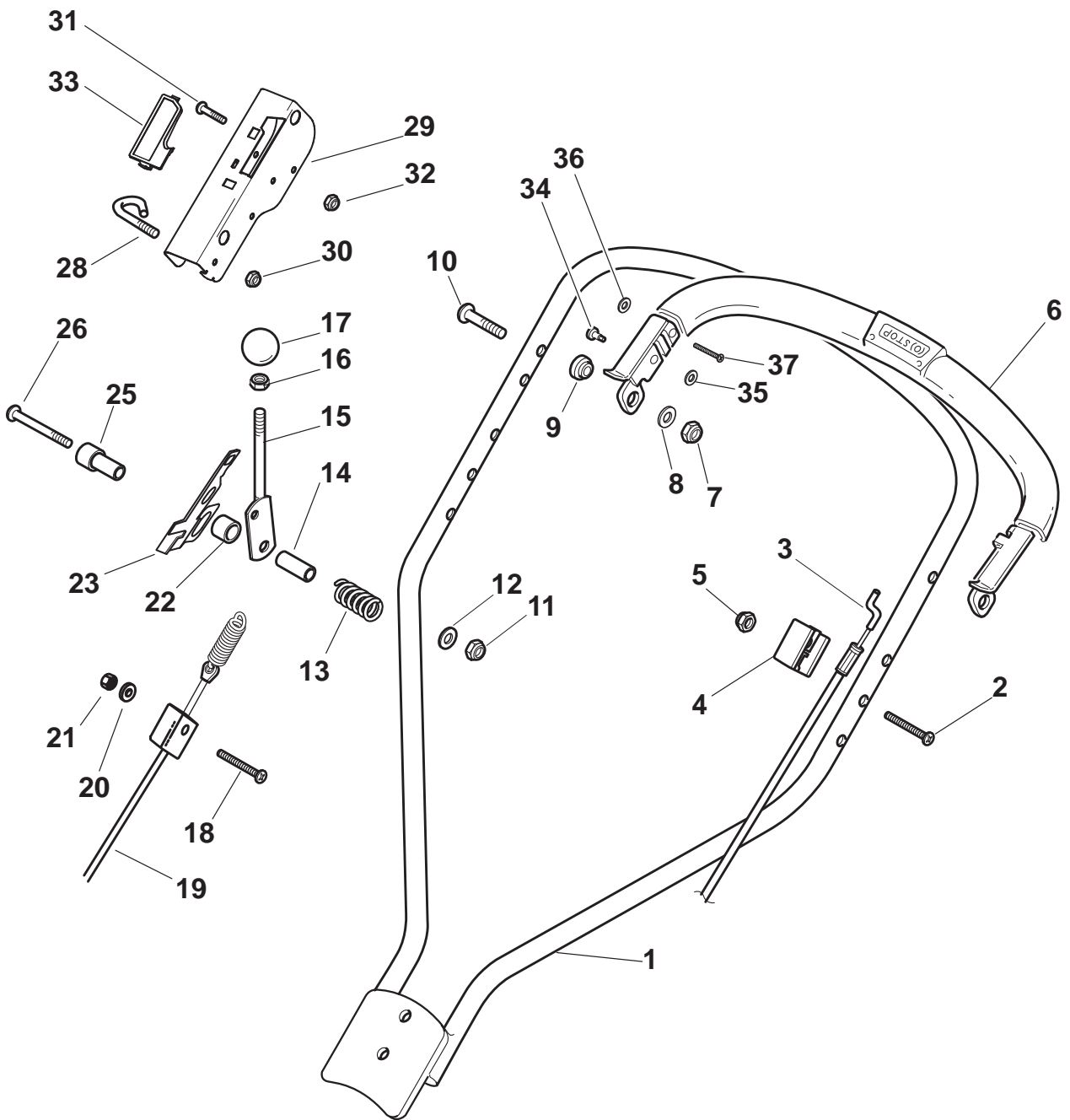
POS	PART. NO	Q.ty	DESCRIPTION	DESCRIZIONE	BESCHREIBUNG	DESCRIPTION	REMARKS
1	381006373/0	1	Right Handle, Lower Part Yellow	Manico, Parte Inf Dx, Giallo	Mancheron, Partie Inferieure Jaune	Holm, Unterteil Gelb	Yellow
1	381006377/0	1	Right Handle, Lower Part Black	Manico, Parte Inf Dx, Nero	Mancheron, Partie Inferieure Noir	Holm, Unterteil Schwarz	Black
2	118566114/0	4	Cap	Puntale	Bouchon	Gummistopfen	
3	112819100/0	6	Screw	Vite	Vis	Schraube	
4	112155000/0	6	Nut	Dado	Ecrou	Mutter	
5	118203854/0	6	Protection	Cappuccio	Capuchon	Stecker	
6	381006375/0	1	Left Handle, Lower Part Yellow	Manico, Parte Inf Sx, Giallo	Mancheron, Partie Inferieure Jaune	Holm, Unterteil Gelb	Yellow
6	381006379/0	1	Left Handle, Lower Part Black	Manico, Parte Inf Sx Nero	Mancheron, Partie Inferieure Noir	Holm, Unterteil Schwarz	Black
7	112793102/0	4	Screw	Vite	Vis	Schraube	
8	381006361/1	1	Handle, Middle Part Yellow	Manico, Parte Intermedia Giallo	Mancheron Jaune	Holm Gelb	Yellow
8	381006365/1	1	Handle, Middle Part Black	Manico, Parte Intermedia Nero	Mancheron Noir	Holm Schwarz	Black
9	112155000/0	4	Nut	Dado	Ecrou	Mutter	
10	112523060/0	2	Washer	Rosetta	Rondelle	Scheibe	
11	112523080/0	1	Washer	Rosetta	Rondelle	Scheibe	
12	322399813/0	1	Knob	Manopolina	Poignée	Griff	



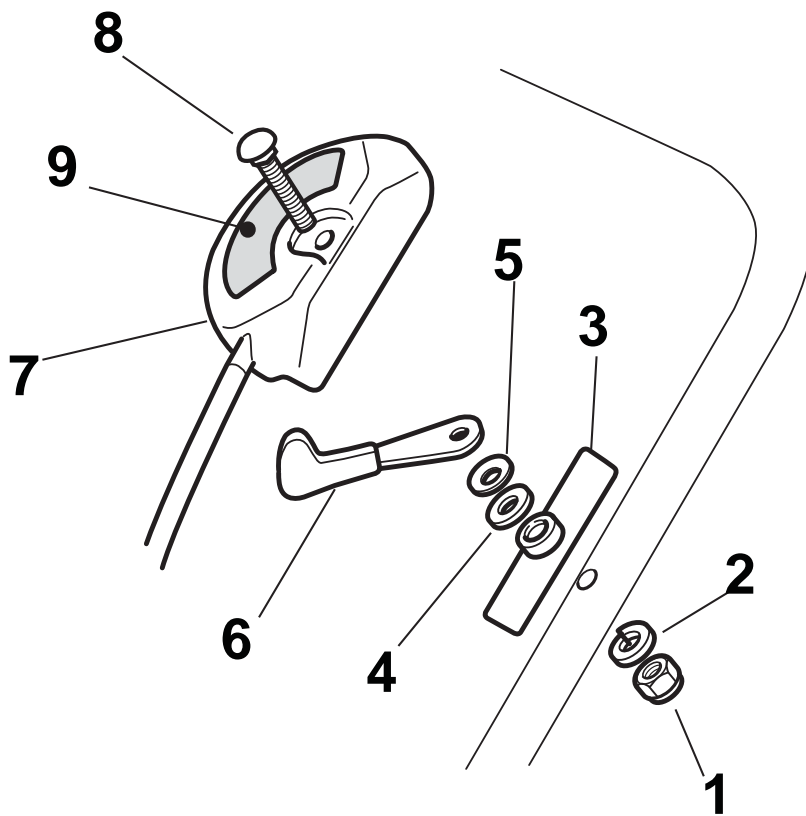
POS	PART. NO	Q.ty	DESCRIPTION	DESCRIZIONE	BESCHREIBUNG	DESCRIPTION	REMARKS
1	381006838/0	1	Handle, Upper Part	Manico, Parte Sup	Mancheron, Partie Superieure	Holm, Oberteil	
2	122430313/0	1	Guide Spring	Molla Guida	Ressort De Guide	Feder Führer	
3	112521330/0	1	Washer	Rosetta	Rondelle	Scheibe	
4	112154510/0	1	Nut	Dado	Ecrou	Mutter	
5	118390020/0	1	Fairlead	Fermacavo	Fixation Cable	Kabelbefestigung	
6	181030053/0	1	Cable, Thread Engine Brake	Cavo Freno Motore	Cable Frein Moteur	Kabel, Motorbremse	GGP150cc
6	181030056/0	1	Cable, Thread Engine Brake	Cavo Freno Motore	Cable Frein Moteur	Kabel, Motorbremse	B&S-GGP-Honda
6	181030069/0	1	Cable, Thread Engine Brake	Cavo Freno Motore	Cable Frein Moteur	Kabel, Motorbremse	GGP100cc
7	122291050/0	1	Handgrip Black	Impugnatura Manico Nera	Poignée Noir	Handgriff Schwarz	
8	181003300/1	1	Lever, Engine Brake Black	Leva Freno Motore Nero	Levier Frein Moteur Noir	Hebel, Motorbremse Schwarz	Black
8	381003374/0	1	Lever, Engine Brake Yellow	Leva Freno Motore, Giallo	Levier Frein Moteur Jaune	Hebel, Motorbremse, Gelb	Yellow
9	181003301/0	1	Lever, Driving Black	Leva Trazione Nero	Levier Traction Noir	Hebel, Antrieb Schwarz	Black
9	381003373/1	1	Lever, Driving Yellow	Leva Trazione Giallo	Levier Traction Jaune	Hebel, Antrieb Gelb	Yellow
10	322545204/0	1	Fulcrum Pin	Perno Fulcro	Pivot	Gelenkpunkt	
11	122041966/0	4	Bush	Bussola	Douille	Büchse	
12	381030096/0	1	Cable, Rear Drive	Cavo Comando Trazione	Câble, Comm. Traction	Kabel, Antrieb	
13	112154510/0	1	Nut	Dado	Ecrou	Mutter	
14	112727783/0	1	Screw	Vite	Vis	Schraube	
15	322551640/0	1	Plate	Piastrina	Plaquette	Plättchen	



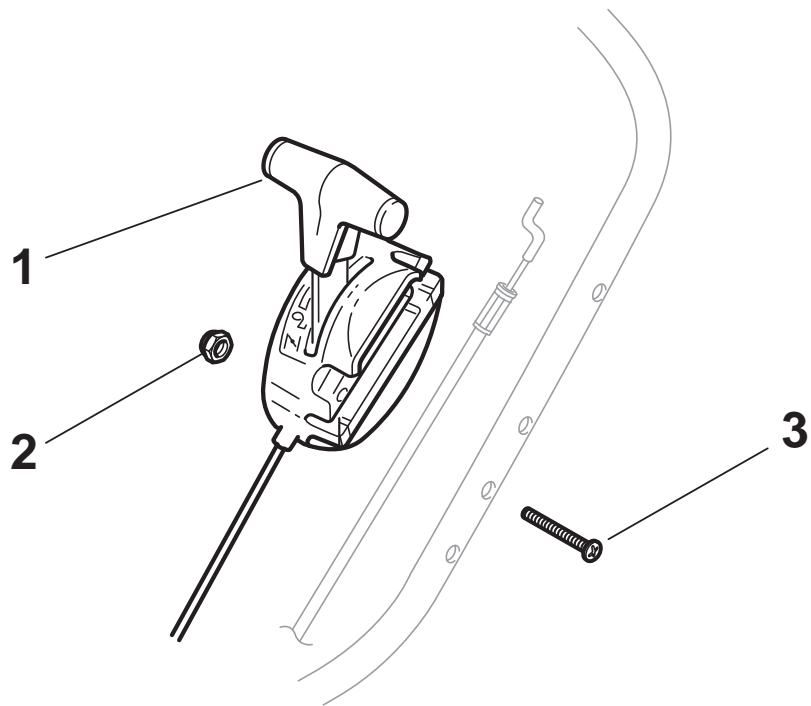
POS	PART. NO	Q.ty	DESCRIPTION	DESCRIZIONE	BESCHREIBUNG	DESCRIPTION	REMARKS
1	381006838/0	1	Handle, Upper Part	Manico, Parte Sup	Mancheron, Partie Superieure	Holm, Oberteil	
2	122430313/0	1	Guide Spring	Molla Guida	Ressort De Guide	Feder Führer	
3	112521330/0	1	Washer	Rosetta	Rondelle	Scheibe	
4	112154510/0	1	Nut	Dado	Ecrou	Mutter	
5	118390020/0	1	Fairlead	Fermacavo	Fixation Cable	Kabelbefestigung	
6	181030053/0	1	Cable, Thread Engine Brake	Cavo Freno Motore	Cable Frein Moteur	Kabel, Motorbremse	GGP150cc
6	181030056/0	1	Cable, Thread Engine Brake	Cavo Freno Motore	Cable Frein Moteur	Kabel, Motorbremse	B&S-GGP-Honda
6	181030069/0	1	Cable, Thread Engine Brake	Cavo Freno Motore	Cable Frein Moteur	Kabel, Motorbremse	GGP100cc
7	122291050/0	1	Handgrip Black	Impugnatura Manico Nera	Poignée Noir	Handgriff Schwarz	
8	181003300/1	1	Lever, Engine Brake Black	Leva Freno Motore Nero	Levier Frein Moteur Noir	Hebel, Motorbremse Schwarz	Black
8	381003374/0	1	Lever, Engine Brake Yellow	Leva Freno Motore, Giallo	Levier Frein Moteur Jaune	Hebel, Motorbremse, Gelb	Yellow
9	181003301/0	1	Lever, Driving Black	Leva Trazione Nero	Levier Traction Noir	Hebel, Antrieb Schwarz	Black
9	381003373/1	1	Lever, Driving Yellow	Leva Trazione Giallo	Levier Traction Jaune	Hebel, Antrieb Gelb	Yellow
10	322545204/0	1	Fulcrum Pin	Perno Fulcro	Pivot	Gelenkpunkt	
11	122041966/0	4	Bush	Bussola	Douille	Büchse	
12	381030096/0	1	Cable, Rear Drive	Cavo Comando Trazione	Câble, Comm. Traction	Kabel, Antrieb	
13	112727788/0	1	Screw	Vite	Vis	Schraube	
14	112154510/0	1	Nut	Dado	Ecrou	Mutter	
15	181005504/1	1	Throttle Cable	Cavo Acceleratore	Cable, Accelérateur	Gashebel Kabel	B&S
15	181005511/0	1	Throttle Cable	Cavo Acceleratore	Cable, Accelérateur	Gashebel Kabel	GGP150cc
15	181005517/0	1	Throttle Cable	Cavo Acceleratore	Cable, Accelérateur	Gashebel Kabel	GGP-Honda



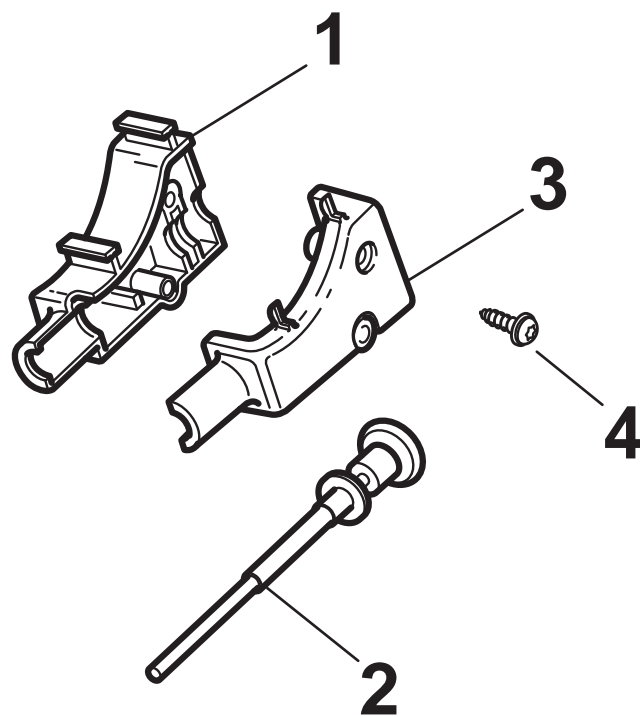
POS	PART. NO	Q.ty	DESCRIPTION	DESCRIZIONE	BESCHREIBUNG	DESCRIPTION	REMARKS
1	381006363/2	1	Handle, Upper Part Yellow	Manico, Parte Sup Giallo	Mancheron, Partie Superieure Jaune	Holm, Oberteil Gelb	Yellow
1	381006367/1	1	Handle, Upper Part Black	Manico, Parte Sup Nero	Mancheron, Partie Superieure Noir	Holm, Oberteil Schwarz	Black
2	112727784/0	1	Screw	Vite	Vis	Schraube	
3	181000618/0	1	Cable, Thread Engine Brake	Cavo Freno Motore	Cable Frein Moteur	Kabel, Motorbremse	GGP
3	181000618/0	1	Cable, Thread Engine Brake	Cavo Freno Motore	Cable Frein Moteur	Kabel, Motorbremse	B&S625-675
3	181000730/0	1	Cable, Thread Engine Brake	Cavo Freno Motore	Cable Frein Moteur	Kabel, Motorbremse	GGP150cc
3	181000733/0	1	Cable, Thread Engine Brake	Cavo Freno Motore	Cable Frein Moteur	Kabel, Motorbremse	HONDA
3	181000769/1	1	Cable, Thread Engine Brake	Cavo Freno Motore	Cable Frein Moteur	Kabel, Motorbremse	Honda 4Speed-AVS
3	181000769/1	1	Cable, Thread Engine Brake	Cavo Freno Motore	Cable Frein Moteur	Kabel, Motorbremse	B&S450-500
4	322551639/0	1	Plate	Piastrina	Plaquette	Plättchen	
5	112154510/0	1	Nut	Dado	Ecrou	Mutter	
6	381003318/1	1	Lever, Engine Brake	Leva Freno Motore	Levier Frein Moteur	Hebel, Motorbremse	
7	112154510/0	2	Nut	Dado	Ecrou	Mutter	
8	112521330/0	2	Washer	Rosetta	Rondelle	Scheibe	
9	122671660/1	2	Washer	Rosetta	Rondelle	Scheibe	
10	112727784/0	2	Screw	Vite	Vis	Schraube	
11	112154510/0	1	Nut	Dado	Ecrou	Mutter	
12	112521330/0	1	Elastic Washer	Disco Elastico	Disque Elastique	Federscheibe	
13	122450446/0	1	Spring	Molla	Ressort	Feder	
14	122170840/0	1	Spacer	Distanziale	Entretoise	Distanzring	
15	381003313/0	1	Lever, Driving	Leva Trazione	Levier Traction	Antriebhebel	
16	112293200/0	1	Nut	Dado	Ecrou	Mutter	
17	322399812/0	1	Knob	Manopolina	Poignée	Griff	
18	112727791/0	1	Screw	Vite	Vis	Schraube	
19	381030095/0	1	Cable, Rear Drive	Cavo Comando Trazione	Câble, Comm. Traction	Kabel, Antrieb	
20	112521330/0	1	Washer	Rosetta	Rondelle	Scheibe	
21	112154510/0	1	Nut	Dado	Ecrou	Mutter	
22	122170843/0	1	Spacer	Distanziale	Entretoise	Distanzring	
23	322551653/0	1	Plate	Piastrina	Plaquette	Plättchen	
25	122170842/0	1	Spacer	Distanziale	Entretoise	Distanzring	
26	112727786/0	1	Screw	Vite	Vis	Schraube	
28	122430314/0	1	Guide Spring	Molla Guida	Ressort De Guide	Feder Führer	
29	381004405/0	1	Dash Board	Cruscotto	Console	Konsole	
30	112154510/0	1	Nut	Dado	Ecrou	Mutter	
31	112727792/0	1	Screw	Vite	Vis	Schraube	
32	112154510/0	1	Nut	Dado	Ecrou	Mutter	
33	322500050/0	1	Shoe	Pattino	Bloc De Glissement	Gleitblock	
34	122524342/0	1	Pin	Perno	Pivot	Bolzen	
35	112604897/0	1	Snap Ring	Anello Elastico	Anneau Ressort	Sprengring	
36	112154330/0	2	Screw	Vite	Vis	Schraube	
37	112727796/0	2	Washer	Rosetta	Rondelle	Scheibe	



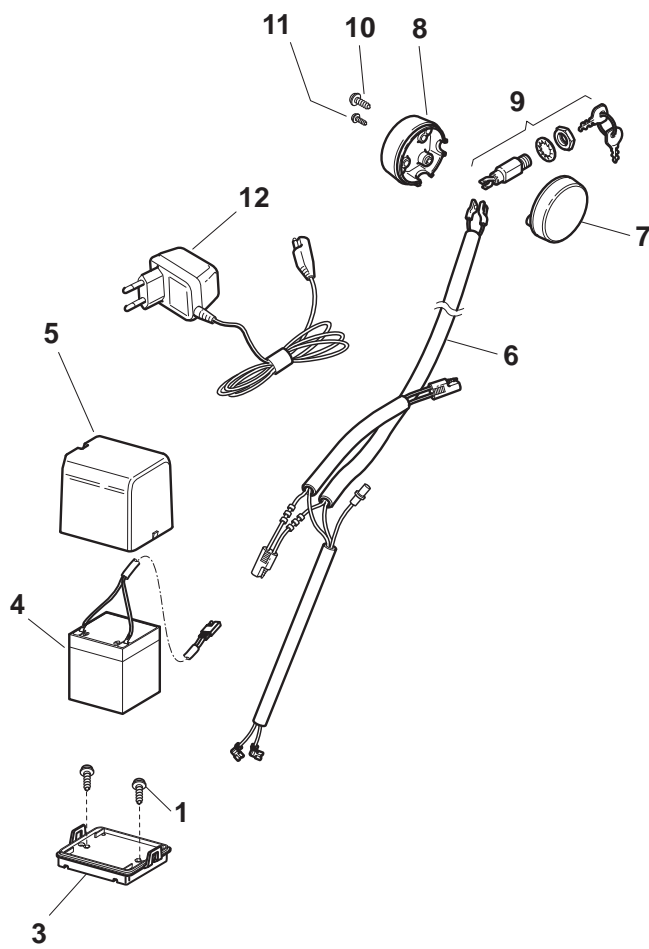
POS	PART. NO	Q.ty	DESCRIPTION	DESCRIZIONE	BESCHREIBUNG	DESCRIPTION	REMARKS
1	112291000/0	1	Nut	Dado	Ecrou	Mutter	
2	112581500/0	1	Grower	Grower	Grower	Federring	
3	322171006/0	1	Spacer	Distanziale	Entretoise	Distanzring	
4	112521360/0	1	Washer	Rosetta	Rondelle	Scheibe	
5	112508100/0	1	Spring Washer	Rosetta Elastica	Rondelle Elastique	Elastische Scheibe	
6	381007220/0	1	Lever, Throttle	Leva, Acceleratore	Levier, Accelérateur	Hebel, Beshleuniger	GGP150cc - B&S 450-500
6	381007279/1	1	Lever, Throttle	Leva, Acceleratore	Levier, Accelérateur	Hebel, Beshleuniger	B&S-GGP- Honda
7	481007080/0	1	Throttle Cable	Cavo Acceleratore	Cable, Accelérateur	Gashebel Kabel	
8	112815030/0	1	Screw	Vite	Vis	Schraube	
9	114356702/0	1	Label	Etichetta	Etiquette	Etikette	GGP
9	114356702/0	1	Label	Etichetta	Etiquette	Etikette	Honda Ac
9	114356703/0	1	Label	Etichetta	Etiquette	Etikette	B&S
9	114356905/0	1	Label	Etichetta	Etiquette	Etikette	DOV
9	114356905/0	1	Label	Etichetta	Etiquette	Etikette	AVS GGP
9	114364264/0	1	Label	Etichetta	Etiquette	Etikette	Honda



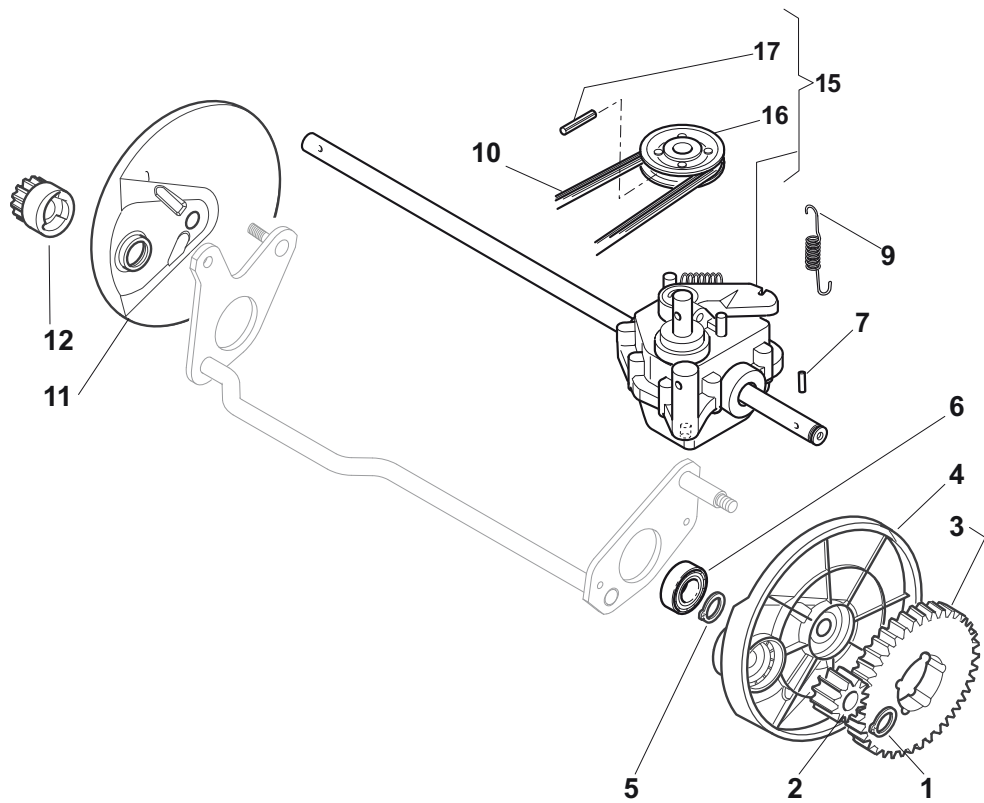
POS	PART. NO	Q.ty	DESCRIPTION	DESCRIZIONE	DESCRIPTION	BESCHREIBUNG	REMARKS
1	181007130/0	1	Throttle Cable	Cavo Acceleratore	Cable, Accelérateur	Gashebel Kabel	
2	112154510/0	1	Nut	Dado	Ecrou	Mutter	
3	112727786/0	1	Screw	Vite	Vis	Schraube	



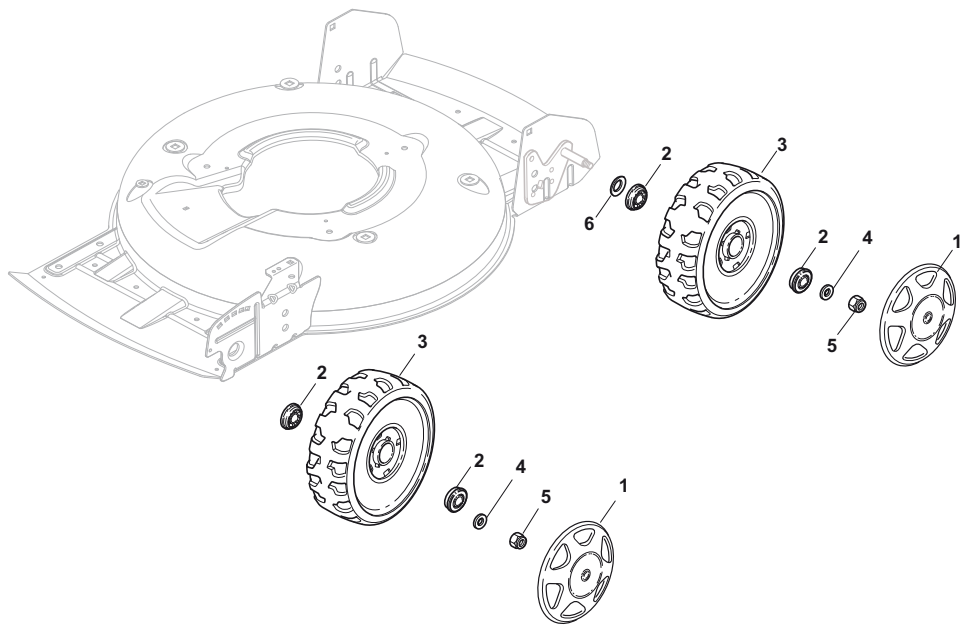
POS	PART. NO	Q.ty	DESCRIPTION	DESCRIZIONE	DESCRIPTION	BESCHREIBUNG	REMARKS
1	322722804/1	1	R Protection	Protezione Dx	Protection D	Rechte Schutz	
2	381000742/1	1	Starter Drive	Comando Starter	Commande Starter	Starter Betaetigung	GGP150cc
2	381030022/0	1	Starter Drive	Comando Starter	Commande Starter	Starter Betaetigung	GGP
2	381030024/0	1	Starter Drive	Comando Starter	Commande Starter	Starter Betaetigung	Honda
3	322722805/1	1	L Protection	Protezione Sx	Protection G	Linke Schutz	
4	112728300/0	1	Screw	Vite	Vis	Schraube	



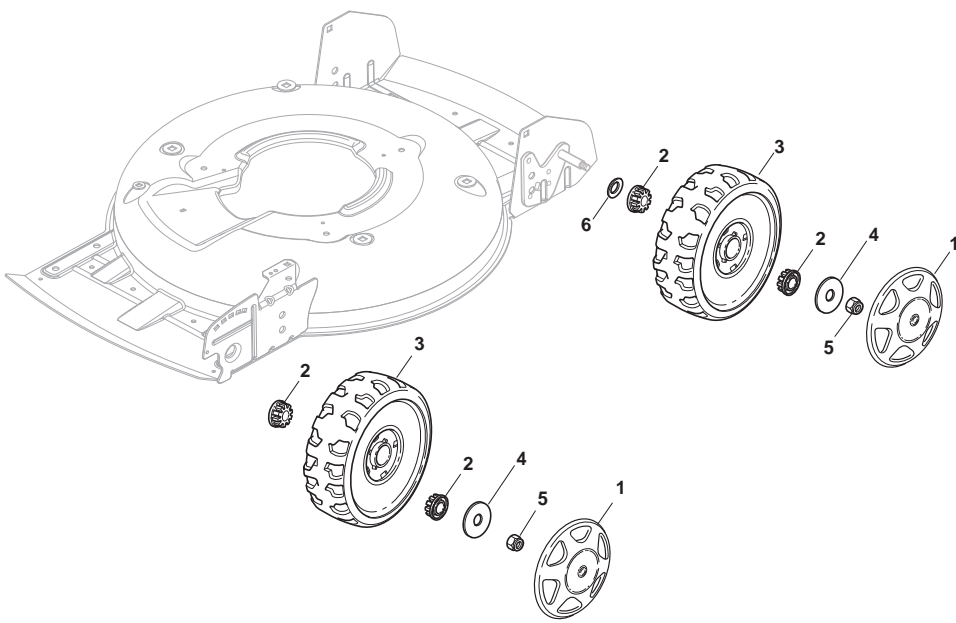
POS	PART. NO	Q.ty	DESCRIPTION	DESCRIZIONE	DESCRIPTION	BESCHREIBUNG	REMARKS
1	112728450/0	2	Screw	Vite	Vis	Schraube	
3	322785122/0	1	Support, Battery	Supporto Batteria	Support Batterie	Halter, Batterie	
4	118120052/0	1	Battery	Batteria	Batterie	Batterie	
5	322109530/0	1	Cover	Capottina	Capot	Haube	
6	118204197/0	1	Cable, Start	Cavo Avviamento	Cable Démarrage	Kabel, Start	B&S - GGP
6	118204198/0	1	Cable, Start	Cavo Avviamento	Cable Démarrage	Kabel, Start	Honda
7	322722801/0	1	L Protection	Protezione Sx	Protection G	Linke Schutz	
8	322722800/0	1	R Protection	Protezione Dx	Protection D	Rechte Schutz	
9	118450050/0	1	Switch	Interruttore	Interrupteur	Schalter	
10	112728300/0	2	Screw	Vite	Vis	Schraube	
11	112728691/0	1	Screw	Vite	Vis	Schraube	
12	118204120/0	1	Battery Charger	Carica Batteria	Chargeur De Batterie	Ladgerät	CE
12	118204121/0	1	Battery Charger	Carica Batteria	Chargeur De Batterie	Ladgerät	UK
13	118210016/1	1	Starting Key	Chiave Avviamento	Clef A Demarrage	Schlüssel Für Start	



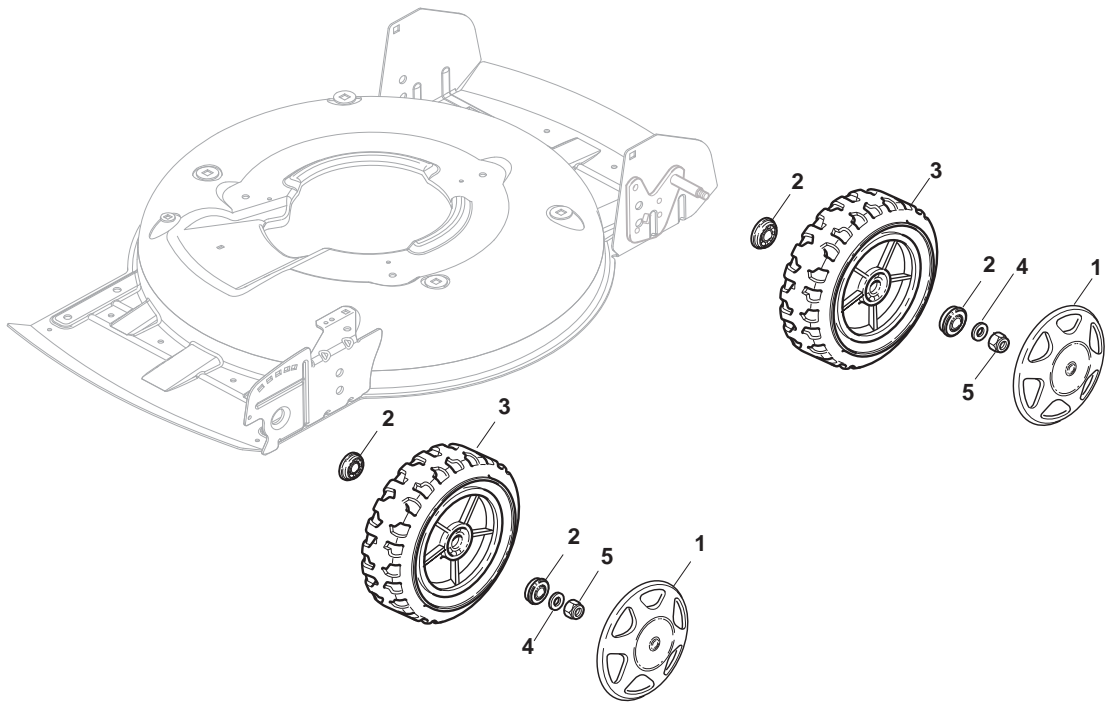
POS	PART. NO	Q.ty	DESCRIPTION	DESCRIZIONE	DESCRIPTION	BESCHREIBUNG	REMARKS
1	112608600/0	2	Seeger	Seeger	Seeger	Seeger	
2	122570120/1	1	Pinion L	Pignone Sx	Pignon G	Ritzel Linkes	
3	122120105/1	2	Ring Gear	Corona	Couronne	Kranz	
4	322600267/0	1	Plastic Wheels Protection	Protezione Ruote	Protection Roue	Schütz, Räder	
5	112608600/0	2	Seeger	Seeger	Seeger	Seeger	
6	119216035/0	2	Bearing	Cuscinetto	Coussinet	Lager	
7	122753000/0	2	Pin	Perno	Pivot	Bolzen	
9	122450439/0	1	Spring	Molla	Ressort	Feder	
10	135064100/0	1	Belt	Cinghia	Courroire	Riemen	
11	322600267/0	1	Plastic Wheels Protection	Protezione Ruote	Protection Roue	Schütz, Räder	
12	122570110/1	1	Pinion R	Pignone Dx	Pignon D	Ritzel Rechtes	
15	181003109/0	1	Gear Box	Gruppo Trazione	Groupe Traction	Antrieb	
16	122601909/0	1	Pulley	Puleggia	Poulie	Riemenscheibe	
17	112645705/0	1	Pin	Perno	Pivot	Bolzen	



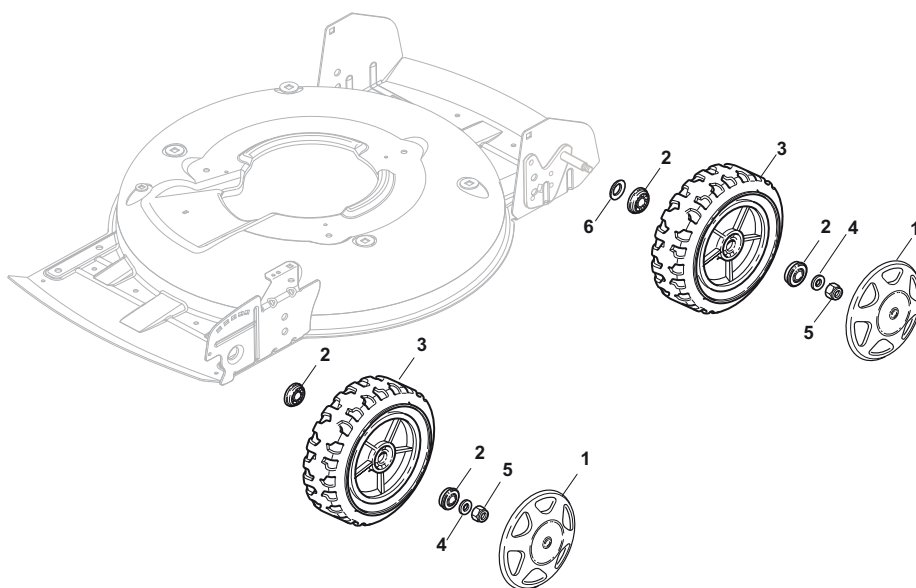
POS	PART. NO	Q.ty	DESCRIPTION	DESCRIZIONE	DESCRIPTION	BESCHREIBUNG	REMARKS
1	322110314/0	4	Hub Cap	Coprizzo	Couvre-Moyeu	Radkappe	
2	122122200/0	8	Bearing	Cuscinetto	Coussinet	Lager	
3	381007489/0	4	Wheel Ø 210	Ruota Stiga Ø 210	Roue Ø 210	Rad Ø 210	
4	112521350/0	4	Washer	Rosetta	Rondelle	Scheibe	
5	112155000/0	4	Nut	Dado	Ecrou	Mutter	
6	112530150/0	2	Elastic Washer	Disco Elastico	Disque Elastique	Federscheibe	



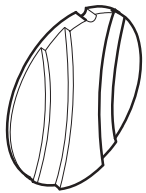
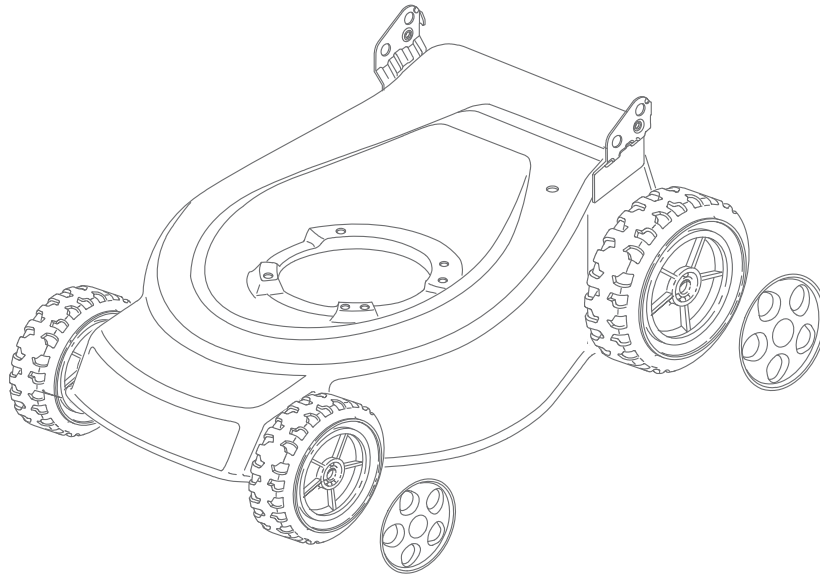
POS	PART. NO	Q.ty	DESCRIPTION	DESCRIZIONE	DESCRIPTION	BESCHREIBUNG	REMARKS
1	322110314/0	4	Hub Cap	Coprizzo	Couvre-Moyeu	Radkappe	
2	122034508/0	8	Bush	Bussola	Douille	Büchse	
3	322686092/0	4	Wheel Ø 190	Ruota Ø 190	Roue Ø190	Rad Ø 190	
4	112523060/0	4	Washer	Rosetta	Rondelle	Scheibe	
5	112155000/0	4	Nut	Dado	Ecrou	Mutter	
6	322170622/0	4	Spacer	Distanziale	Entretoise	Distanzring	



POS	PART. NO	Q.ty	DESCRIPTION	DESCRIZIONE	DESCRIPTION	BESCHREIBUNG	REMARKS
1	322110314/0	4	Hub Cap	Coprimezzo	Couvre-Moyeu	Radkappe	
2	122122200/0	8	Bearing	Cuscinetto	Coussinet	Lager	
3	322686092/0	4	Wheel Ø 190	Ruota Ø 190	Roue Ø190	Rad Ø 190	
4	112521350/0	4	Washer	Rosetta	Rondelle	Scheibe	
5	112155000/0	4	Nut	Dado	Ecrou	Mutter	
6	322170622/0	4	Spacer	Distanziale	Entretoise	Distanzring	



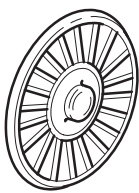
POS	PART. NO	Q.ty	DESCRIPTION	DESCRIZIONE	DESCRIPTION	BESCHREIBUNG	REMARKS
1	322110314/0	4	Hub Cap	Coprizzo	Couvre-Moyeu	Radkappe	
2	119216035/0	8	Bearing	Cuscinetto	Coussinet	Lager	
3	381007490/0	4	Wheel Ø 210	Ruota Stiga Ø 210	Roue Ø 210	Rad Ø 210	
4	112521350/0	4	Washer	Rosetta	Rondelle	Scheibe	
5	112155000/0	4	Nut	Dado	Ecrou	Mutter	
6	122675100/0	2	Elastic Washer	Disco Elastico	Disque Elastique	Federscheibe	



1



2



3



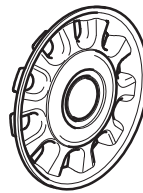
4



5



6

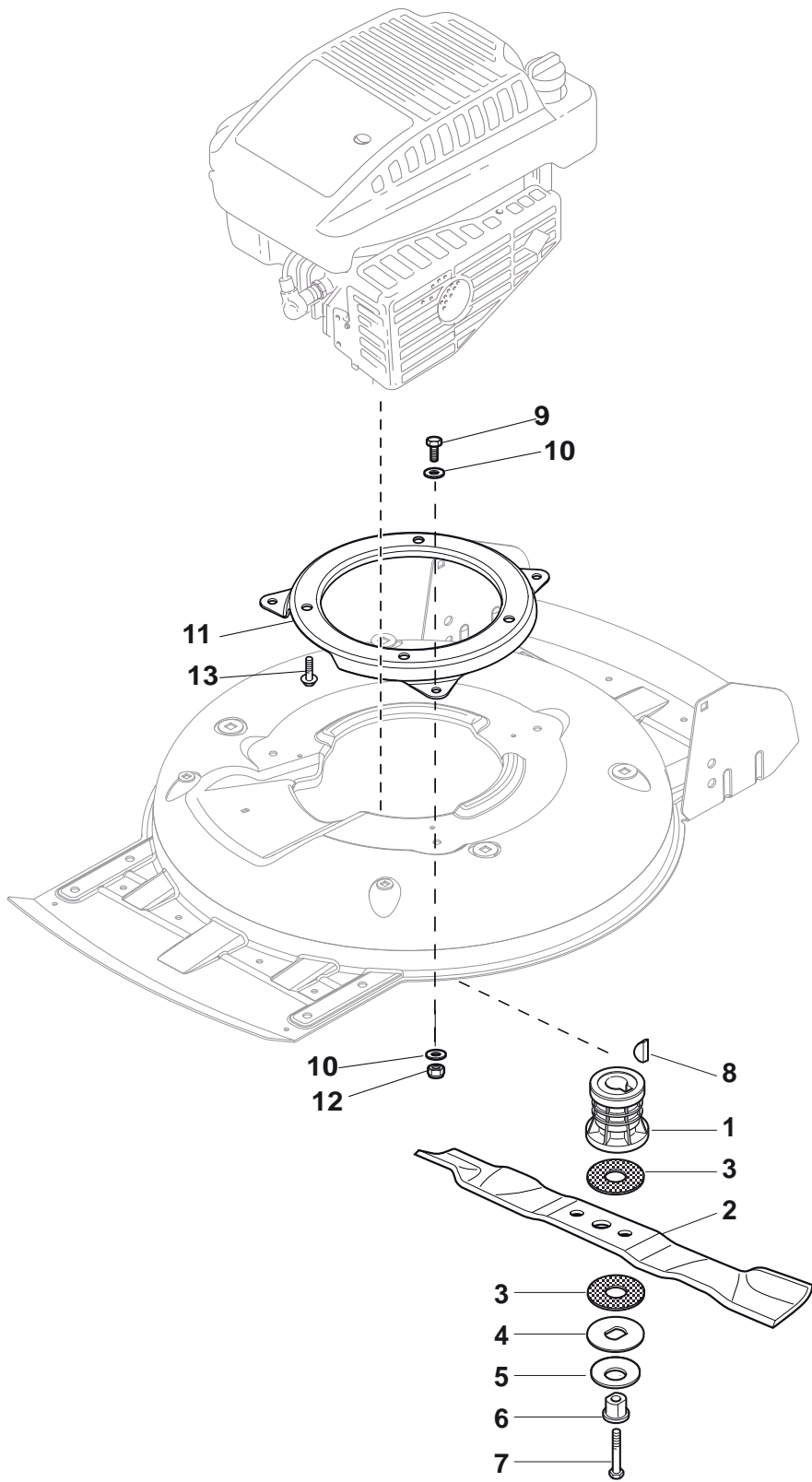


7

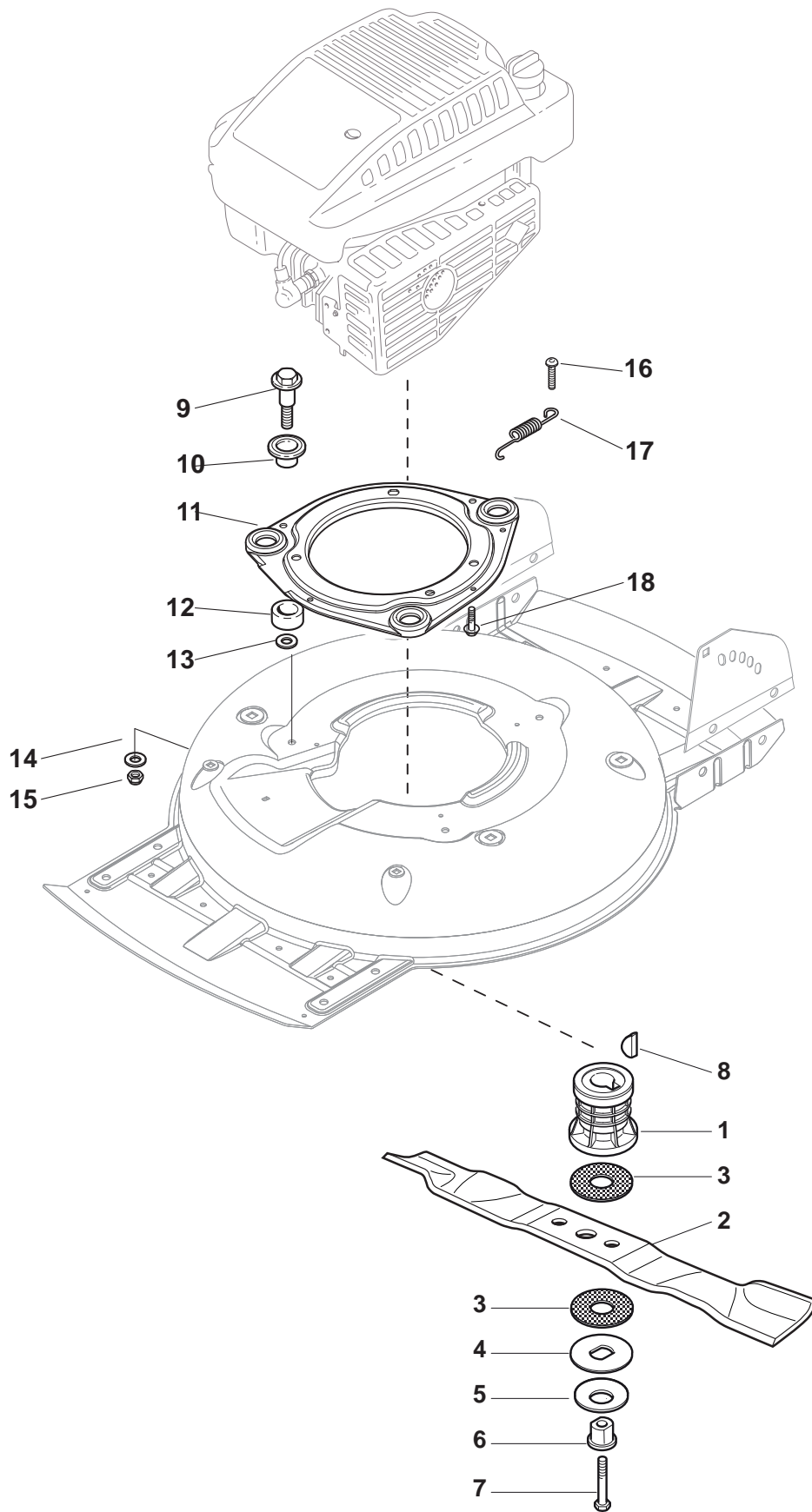


8

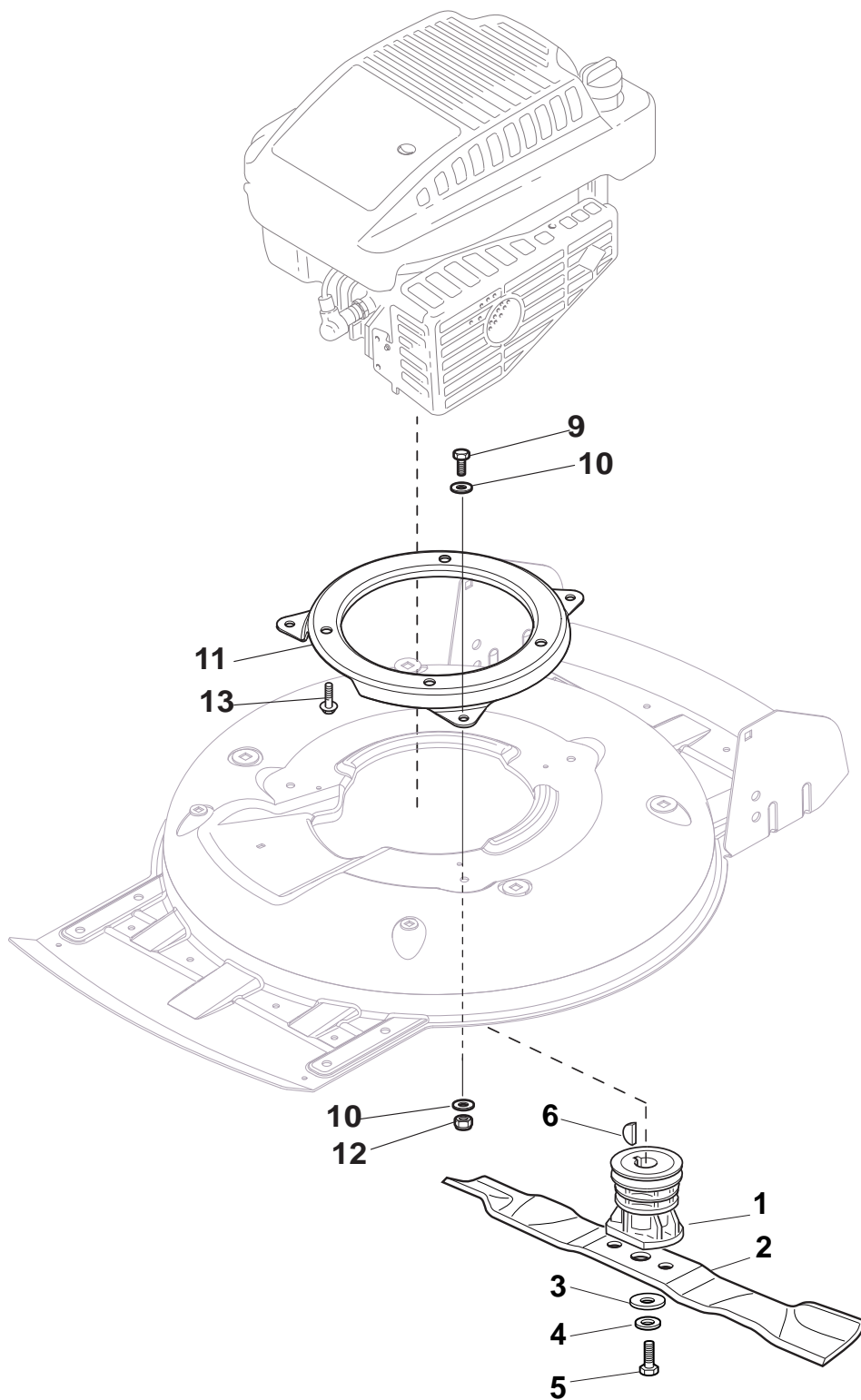
POS	PART. NO	Q.ty	DESCRIPTION	DESCRIZIONE	DESCRIPTION	BESCHREIBUNG	REMARKS
1	322110252/1	2	Hub Cap White	Coprимozzo Bianco	Couvre-Moyeu Blanc	Radkappe Weiß	
1	322110254/0	2	Hub Cap Yellow	Coprимozzo Giallo	Couvre-Moyeu Jaune	Radkappe Gelb	
1	322110255/1	2	Hub Cap Red	Coprимozzo Rosso	Couvre-Moyeu Rouge	Radkappe Rot	
2	322110344/0	2	Hub Cap White	Coprимozzo Bianco	Couvre-Moyeu Blanc	Radkappe Weiß	
2	322110395/0	2	Hub Cap Grey	Coprимozzo Grigio	Couvre-Moyeu Gris	Radkappe Grau	
3	322110347/0	2	Hub Cap Grey	Coprимozzo Grigio	Couvre-Moyeu Gris	Radkappe Grau	
4	322110381/0	2	Hub Cap Grey	Coprимozzo Grigio	Couvre-Moyeu Gris	Radkappe Grau	
5	322110416/0	2	Hub Cap Grey	Coprимozzo Grigio	Couvre-Moyeu Gris	Radkappe Grau	
6	322110491/0	2	Hub Cap Grey	Coprимozzo Grigio	Couvre-Moyeu Gris	Radkappe Grau	
7	322110493/0	2	Hub Cap Grey	Coprимozzo Grigio	Couvre-Moyeu Gris	Radkappe Grau	
8	322110495/0	2	Hub Cap Grey	Coprимozzo Grigio	Couvre-Moyeu Gris	Radkappe Grau	



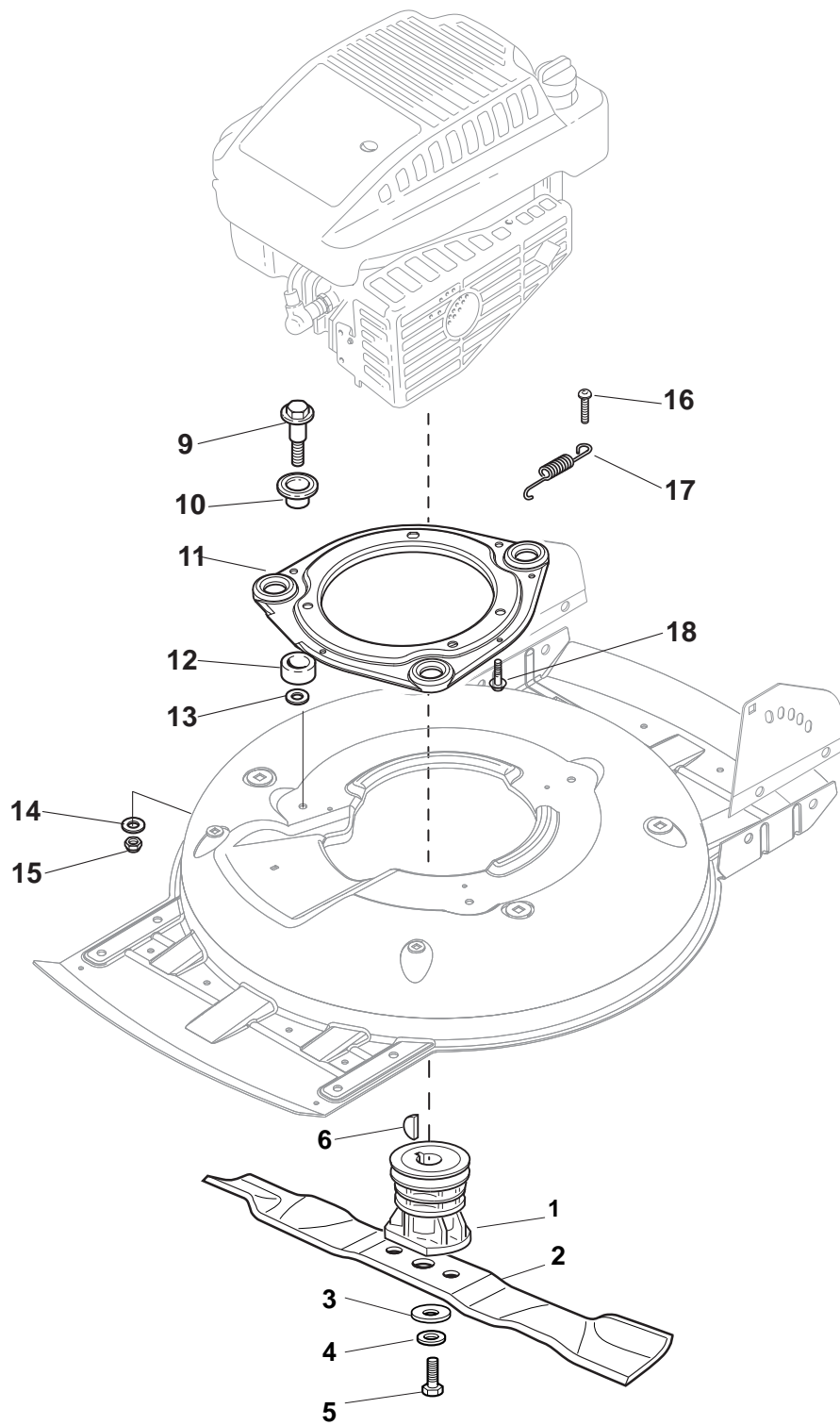
POS	PART. NO	Q.ty	DESCRIPTION	DESCRIZIONE	DESCRIPTION	BESCHREIBUNG	REMARKS
1	122465611/0	1	Hub With Pulley, Crankshaft Ø 22.2	Mozzo Con Puleggia, Albero Motore Ø 22.2	Moyeu Avec Poulie, Arbre Moteur Ø 22.2	Nabe Mit Scheibe, Motorwelle Ø 22.2	GGP-B&S
1	122465612/1	1	Hub With Pulley, Crankshaft Ø 25	Mozzo Con Puleggia, Albero Motore Ø 25	Moyeu Avec Poulie, Arbre Moteur Ø 25	Nabe Mit Scheibe, Motorwelle Ø 25	Honda
2	181004146/0	1	Blade Standard	Coltello Standard	Lame Standard	Messer Standard	
3	322672110/1	2	Clutch Washer	Rondella Frizione	Rondelle Friction	Kupplungscheibe	
4	322672105/0	1	Washer	Rosetta	Rondelle	Scheibe	
5	112508120/0	1	Cupped Spring	Molla A Tazza	Ressort	Teller Feder	
6	122041940/0	1	Clutch Bush	Bussola Frizione	Douille Friction	Kupplungsscheibe	
7	112736850/0	1	Screw	Vite	Vis	Schraube	
8	112139100/0	1	Feather, Crankshaft Ø 22.2	Linguetta, Albero Motore Ø 22.2	Clavette, Arbre Moteur Ø 22.2	Keil, Motorwelle Ø 22.2	GGP-B&S
8	112139150/0	1	Feather, Crankshaft Ø 25	Linguetta, Albero Motore Ø 25	Clavette, Arbre Moteur Ø 25	Keil, Motorwelle Ø 25	Honda
9	112793102/0	3	Screw	Vite	Vis	Schraube	
10	112523060/0	6	Washer	Rosetta	Rondelle	Scheibe	
11	322207219/1	1	Flange	Flangia	Bride	Flansch	
12	112155000/0	3	Nut	Dado	Ecrou	Mutter	
13	112735108/1	3	Screw	Vite	Vis	Schraube	



POS	PART. NO	Q.ty	DESCRIPTION	DESCRIZIONE	DESCRIPTION	BESCHREIBUNG	REMARKS
1	122465611/0	1	Hub With Pulley, Crankshaft Ø 22.2	Mozzo Con Puleggia, Albero Motore Ø 22.2	Moyeu Avec Poulie, Arbre Moteur Ø 22.2	Nabe Mit Scheibe, Motorwelle Ø 22.2	GGP-B&S
1	122465612/1	1	Hub With Pulley, Crankshaft Ø 25	Mozzo Con Puleggia, Albero Motore Ø 25	Moyeu Avec Poulie, Arbre Moteur Ø 25	Nabe Mit Scheibe, Motorwelle Ø 25	Honda
2	181004146/0	1	Blade Standard	Coltello Standard	Lame Standard	Messer Standard	
3	322672110/1	2	Clutch Washer	Rondella Frizione	Rondelle Friction	Kupplungscheibe	
4	322672105/0	1	Washer	Rosetta	Rondelle	Scheibe	
5	112508120/0	1	Cupped Spring	Molla A Tazza	Ressort	Teller Feder	
6	122041940/0	1	Clutch Bush	Bussola Frizione	Douille Friction	Kupplungsscheibe	
7	112736850/0	1	Screw	Vite	Vis	Schraube	
8	112139100/0	1	Feather, Crankshaft Ø 22.2	Linguetta, Albero Motore Ø 22.2	Clavette, Arbre Moteur Ø 22.2	Keil, Motorwelle Ø 22.2	GGP-B&S
8	112139150/0	1	Feather, Crankshaft Ø 25	Linguetta, Albero Motore Ø 25	Clavette, Arbre Moteur Ø 25	Keil, Motorwelle Ø 25	Honda
9	122524329/0	3	Pin	Perno	Pivot	Bolzen	
10	322672201/0	3	Washer	Rosetta	Rondelle	Scheibe	
11	322207225/0	1	Flange, Black	Flangia, Nero	Bride, Noir	Flansch, Schwarz	
11	381207221/1	1	Flange, Yellow	Flangia, Giallo	Bride, Jaune	Flansch, Gelb	
12	322250012/0	3	Grommet	Gommino	Caoutchouc	Gummi	
13	122671651/0	3	Washer	Rosetta	Rondelle	Scheibe	
14	122671651/0	3	Washer	Rosetta	Rondelle	Scheibe	
15	112155000/0	3	Nut	Dado	Ecrou	Mutter	
16	112791400/0	1	Screw	Vite	Vis	Schraube	
17	122450444/0	1	Spring	Molla	Ressort	Feder	
18	112735108/1	3	Screw	Vite	Vis	Schraube	



POS	PART. NO	Q.ty	DESCRIPTION	DESCRIZIONE	DESCRIPTION	BESCHREIBUNG	REMARKS
1	122465607/3	1	Hub With Pulley, Crankshaft Ø 22.2	Mozzo Con Puleggia, Albero Motore Ø 22.2	Moyeu Avec Poulie, Arbre Moteur Ø 22.2	Nabe Mit Scheibe, Motorwelle Ø 22.2	GGP-B&S
1	122465608/2	1	Hub With Pulley, Crankshaft Ø 25	Mozzo Con Puleggia, Albero Motore Ø 25	Moyeu Avec Poulie, Arbre Moteur Ø 25	Nabe Mit Scheibe, Motorwelle Ø 25	Honda
2	181004146/0	1	Blade Standard	Coltello Standard	Lame Standard	Messer Standard	
3	122160400/0	1	Elastic Washer	Disco Elastico	Disque Elastique	Federscheibe	
4	112523080/0	1	Washer	Rosetta	Rondelle	Scheibe	
5	112735698/0	1	Screw	Vite	Vis	Schraube	
6	112139100/0	1	Feather, Crankshaft Ø 22.2	Linguetta, Albero Motore Ø 22.2	Clavette, Arbre Moteur Ø 22.2	Keil, Motorwelle Ø 22.2	GGP-B&S
6	112139150/0	1	Feather, Crankshaft Ø 25	Linguetta, Albero Motore Ø 25	Clavette, Arbre Moteur Ø 25	Keil, Motorwelle Ø 25	Honda
9	112793102/0	3	Screw	Vite	Vis	Schraube	
10	112523060/0	6	Washer	Rosetta	Rondelle	Scheibe	
11	322207219/1	1	Flange	Flangia	Bride	Flansch	
12	112155000/0	3	Nut	Dado	Ecrou	Mutter	
13	112735108/1	3	Screw	Vite	Vis	Schraube	



POS	PART. NO	Q.ty	DESCRIPTION	DESCRIZIONE	DESCRIPTION	BESCHREIBUNG	REMARKS
1	122465607/3	1	Hub With Pulley, Crankshaft Ø 22.2	Mozzo Con Puleggia, Albero Motore Ø 22.2	Moyeu Avec Poulie, Arbre Moteur Ø 22.2	Nabe Mit Scheibe, Motorwelle Ø 22.2	GGP-B&S
1	122465608/2	1	Hub With Pulley, Crankshaft Ø 25	Mozzo Con Puleggia, Albero Motore Ø 25	Moyeu Avec Poulie, Arbre Moteur Ø 25	Nabe Mit Scheibe, Motorwelle Ø 25	Honda
2	181004146/0	1	Blade Standard	Coltello Standard	Lame Standard	Messer Standard	
3	122160400/0	1	Elastic Washer	Disco Elastico	Disque Elastique	Federscheibe	
4	112523080/0	1	Washer	Rosetta	Rondelle	Scheibe	
5	112735698/0	1	Screw	Vite	Vis	Schraube	
6	112139100/0	1	Feather, Crankshaft Ø 22.2	Linguetta, Albero Motore Ø 22.2	Clavette, Arbre Moteur Ø 22.2	Keil, Motorwelle Ø 22.2	GGP-B&S
6	112139150/0	1	Feather, Crankshaft Ø 25	Linguetta, Albero Motore Ø 25	Clavette, Arbre Moteur Ø 25	Keil, Motorwelle Ø 25	Honda
9	122524329/0	3	Pin	Perno	Pivot	Bolzen	
10	322672201/0	3	Washer	Rosetta	Rondelle	Scheibe	
11	322207225/0	1	Flange, Black	Flangia, Nero	Bride, Noir	Flansch, Schwarz	
11	381207221/1	1	Flange, Yellow	Flangia, Giallo	Bride, Jaune	Flansch, Gelb	
12	322250012/0	3	Grommet	Gommino	Caoutchouc	Gummi	
13	122671651/0	3	Washer	Rosetta	Rondelle	Scheibe	
14	122671651/0	3	Washer	Rosetta	Rondelle	Scheibe	
15	112155000/0	3	Nut	Dado	Ecrou	Mutter	
16	112791400/0	1	Screw	Vite	Vis	Schraube	
17	122450444/0	1	Spring	Molla	Ressort	Feder	
18	112735108/1	3	Screw	Vite	Vis	Schraube	