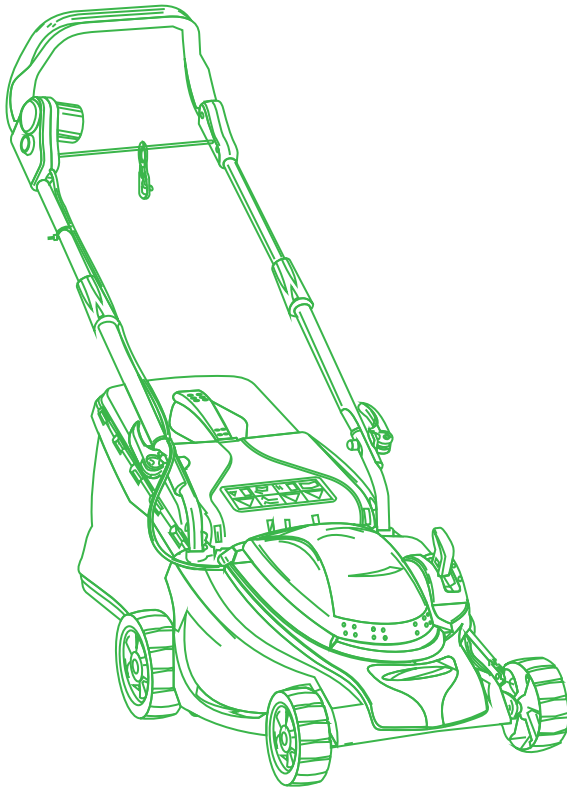


ILLUSTRATED PARTS LIST

EL 420



- Use GLOBAL GARDEN PRODUCT Genuine Spare Parts specified in the parts list for repair and/or replacement.
- The contents described in the parts list may change due to improvement.
- The drawings of the spare parts are only indicative and might not represent the part in question exactly.
- The indications "right" - "left" - "front" - "rear" refer to the position of the operator when using the machine.
- When placing orders of parts for repair and/or replacement, make sure that the illustrated parts list is the one applying to the machine's year of manufacture, as shown on the identification plate attached to the machine.

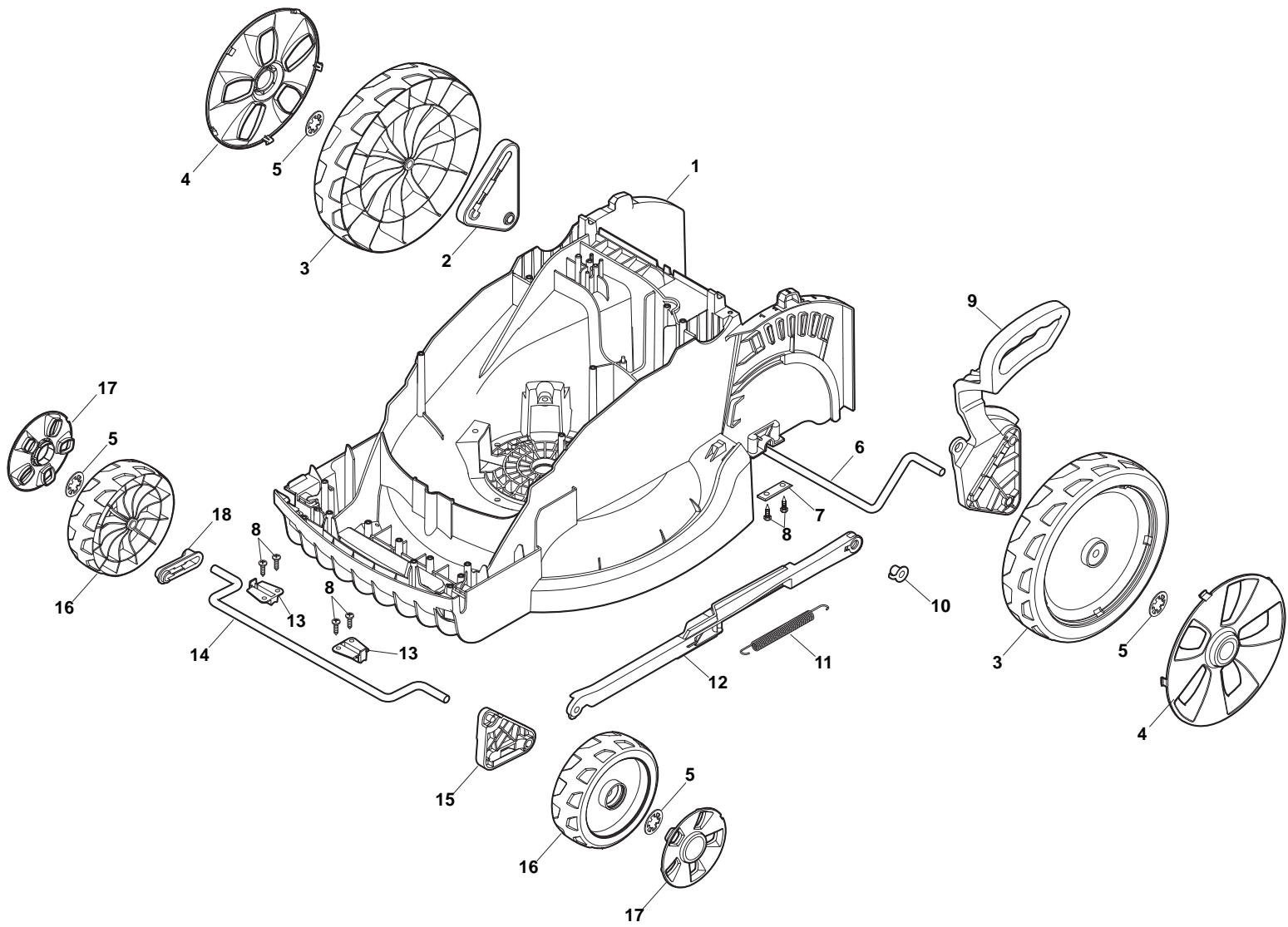
© Copyright 2013 Global Garden Products

All content is subject to copyright by Global Garden Products and may not be reproduced in whole or in part by any means, electronic or otherwise, without prior written approval.

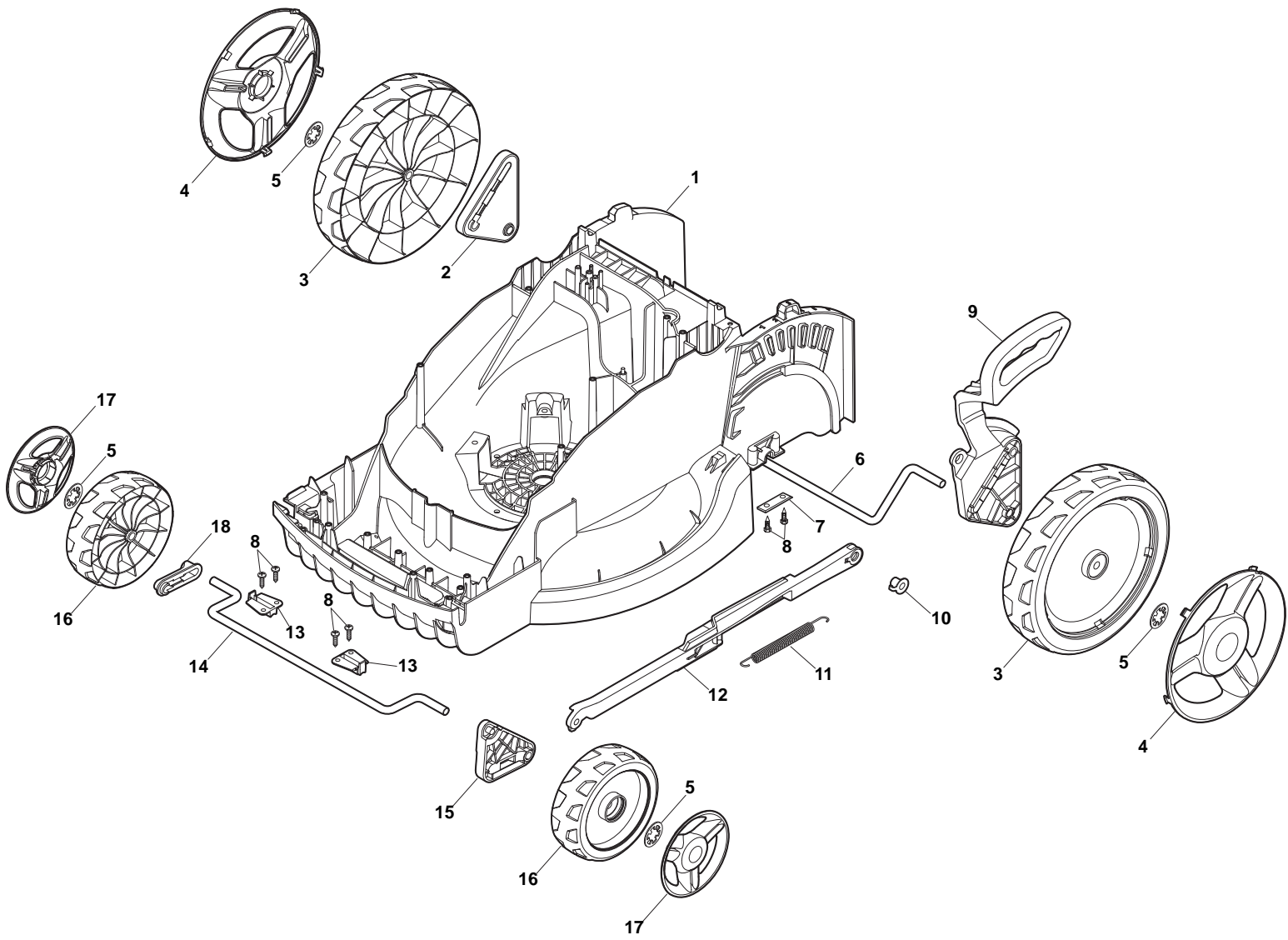
THIS INFORMATION IS NOT INTENDED FOR SALE OR RESALE, AND THIS NOTICE MUST REMAIN ON ALL COPIES.



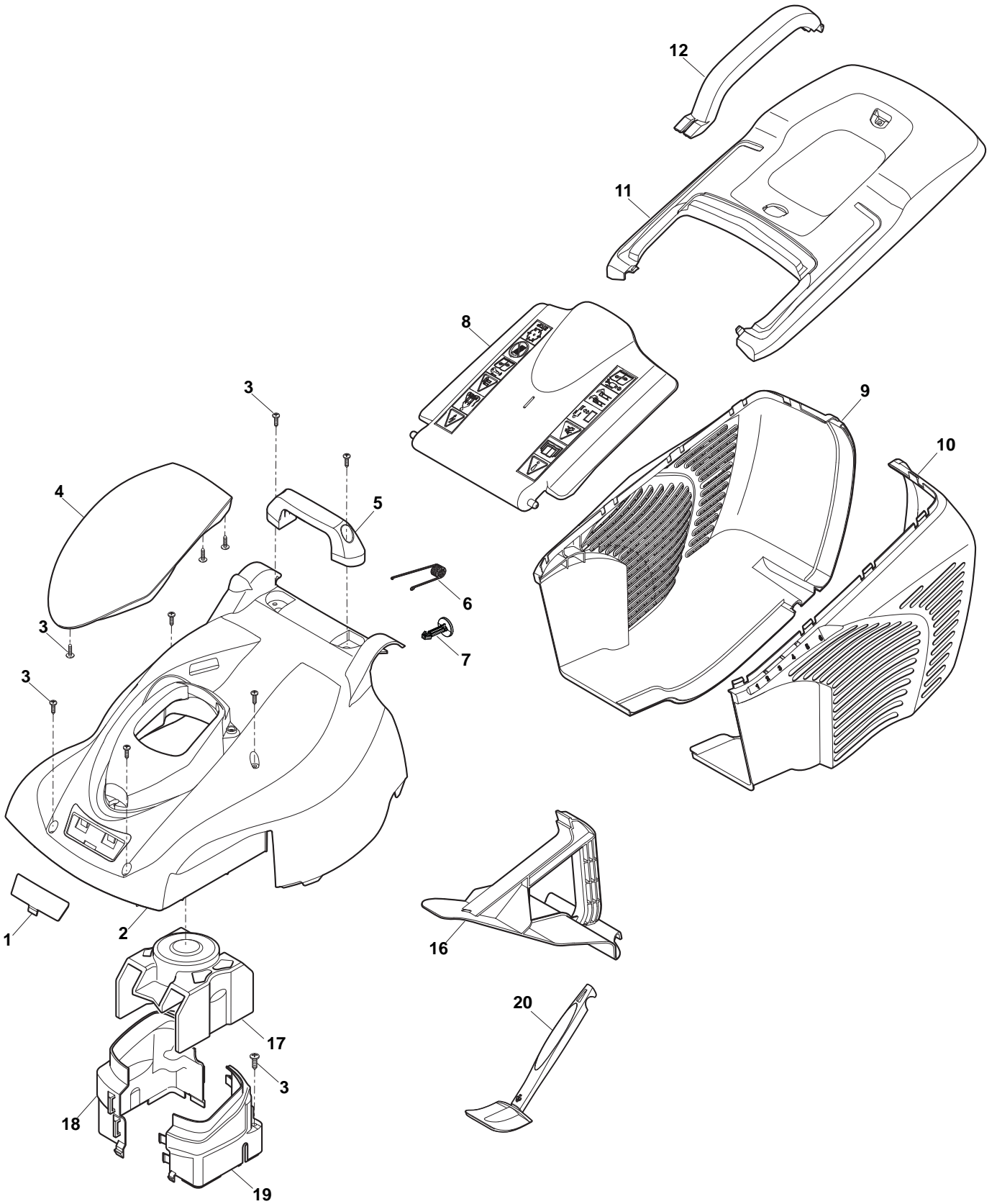
GLOBAL GARDEN PRODUCTS



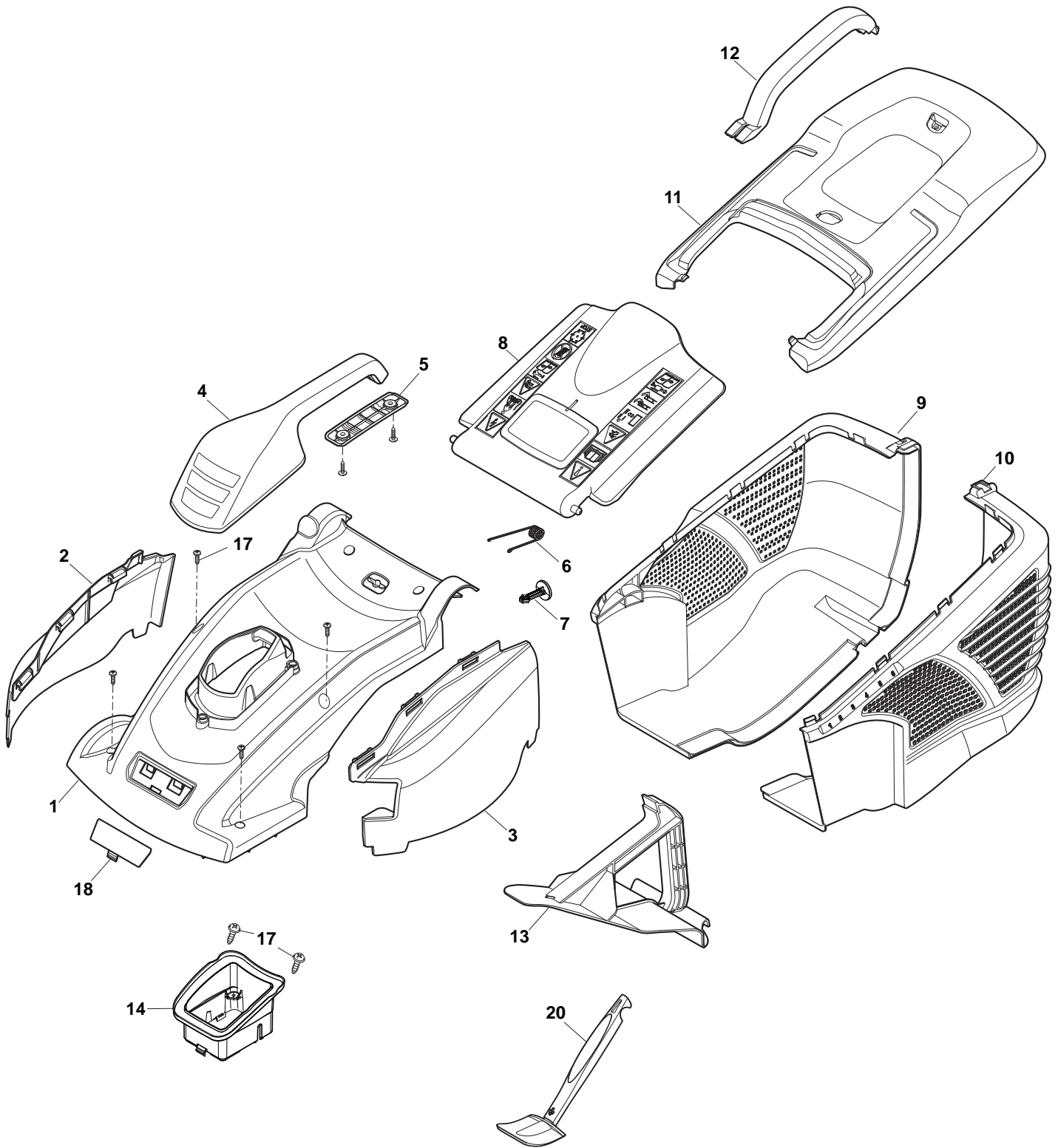
POS	PART. NO	Q.ty	DESCRIPTION	DESCRIZIONE	BESCHREIBUNG	DESCRIPTION	REMARKS
1	322066761/0	1	Deck Grey	Chassis Grigio	Gehäuse Grau	Châssis Gris	
2	322785387/0	1	Support, Wheels	Supporto Ruote	Halter, Rad	Support Roue	
3	322686105/0	2	Wheel Ø 250	Ruota Ø 250	Rad Ø 250	Roue Ø 250	
4	322110637/0	2	Hub Cap Grey	Coprимozzo Grigio	Radkappe Grau	Couvre-Moyeu Gris	
5	112604903/0	4	Washer	Rosetta	Scheibe	Rondelle	
6	122033427/0	1	Axle, Rear Wheels	Asse Ruote Posteriore	Achse, Hinterrad	Axe Roues Arriere	
7	322545142/0	2	Plate	Piastrina	Plättchen	Plaquette	
8	112728714/0	8	Screw	Vite	Schraube	Vis	
9	322785388/1	1	Lever, Height Adjustment	Leva Regolazione Altezza	Hebel, Höneverstellung	Levier Reglage Hauteur	Grey
9	322785414/1	1	Lever, Height Adjustment	Leva Regolazione Altezza	Hebel, Höneverstellung	Levier Reglage Hauteur	Yellow
10	322524354/0	1	Pin	Perno	Bolzen	Pivot	
11	122446195/0	1	Spring	Molla	Feder	Ressort	
12	322869680/0	1	Rod, Height Adjustment	Asta Comando Regol. Altezza	Stange, Höneverstellung	Tige Commande Reglage Hauteur	Grey
12	322869685/0	1	Rod, Height Adjustment	Asta Comando Regol. Altezza	Stange, Höneverstellung	Tige Commande Reglage Hauteur	Black
13	322785415/0	2	Plate	Piastrina	Plättchen	Plaquette	
14	122033426/0	1	Axle, Rear Wheels	Asse Ruote Posteriore	Achse, Hinterrad	Axe Roues Arriere	
15	322785386/0	1	Support, Wheels	Supporto Ruote	Halter, Rad	Support Roue	Grey
15	322785422/0	1	Support, Wheels	Supporto Ruote	Halter, Rad	Support Roue	Black
16	322686104/0	2	Wheel Ø 150	Ruota Ø 150	Rad Ø 150	Roue Ø 150	
17	322110685/0	2	Hub Cap Grey	Coprимozzo Grigio	Radkappe Grau	Couvre-Moyeu Gris	
18	322785385/0	1	Support, Wheels	Supporto Ruote	Halter, Rad	Support Roue	



POS	PART. NO	Q.ty	DESCRIPTION	DESCRIZIONE	BESCHREIBUNG	DESCRIPTION	REMARKS
1	322066761/0	1	Deck Grey	Chassis Grigio	Gehäuse Grau	Châssis Gris	
2	322785387/0	1	Support, Wheels	Supporto Ruote	Halter, Rad	Support Roue	
3	322686105/0	2	Wheel Ø 250	Ruota Ø 250	Rad Ø 250	Roue Ø 250	
4	322110683/0	2	Hub Cap Grey	Coprimito Grigio	Radkappe Grau	Couvre-Moyeu Gris	
4	322110691/0	2	Hub Cap White	Coprimito Bianco	Radkappe Weiß	Couvre-Moyeu Blanc	
4	322110699/0	2	Hub Cap Yellow	Coprimito Giallo	Radkappe Gelb	Couvre-Moyeu Jaune	
5	112604903/0	4	Washer	Rosetta	Scheibe	Rondelle	
6	122033427/0	1	Axle, Rear Wheels	Asse Ruote Posteriore	Achse, Hinterrad	Axe Roues Arriere	
7	322545142/0	2	Plate	Piastrina	Plättchen	Plaquette	
8	112728714/0	8	Screw	Vite	Schraube	Vis	
9	322785388/1	1	Lever, Height Adjustment	Leva Regolazione Altezza	Hebel, Höneverstellung	Levier Reglage Hauteur	Grey
9	322785414/1	1	Lever, Height Adjustment	Leva Regolazione Altezza	Hebel, Höneverstellung	Levier Reglage Hauteur	Yellow
10	322524354/0	1	Pin	Perno	Bolzen	Pivot	
11	122446195/0	1	Spring	Molla	Feder	Ressort	
12	322869680/0	1	Rod, Height Adjustment	Asta Comando Regol. Altezza	Stange, Höneverstellung	Tige Commande Reglage Hauteur	Grey
12	322869685/0	1	Rod, Height Adjustment	Asta Comando Regol. Altezza	Stange, Höneverstellung	Tige Commande Reglage Hauteur	Black
13	322785415/0	2	Plate	Piastrina	Plättchen	Plaquette	
14	122033426/0	1	Axle, Rear Wheels	Asse Ruote Posteriore	Achse, Hinterrad	Axe Roues Arriere	
15	322785386/0	1	Support, Wheels	Supporto Ruote	Halter, Rad	Support Roue	Grey
15	322785422/0	1	Support, Wheels	Supporto Ruote	Halter, Rad	Support Roue	Black
16	322686104/0	2	Wheel Ø 150	Ruota Ø 150	Rad Ø 150	Roue Ø 150	
17	322110684/0	2	Hub Cap Grey	Coprimito Grigio	Radkappe Grau	Couvre-Moyeu Gris	
17	322110690/0	2	Hub Cap White	Coprimito Bianco	Radkappe Weiß	Couvre-Moyeu Blanc	
17	322110700/0	2	Hub Cap Yellow	Coprimito Giallo	Radkappe Gelb	Couvre-Moyeu Jaune	
18	322785385/0	1	Support, Wheels	Supporto Ruote	Halter, Rad	Support Roue	

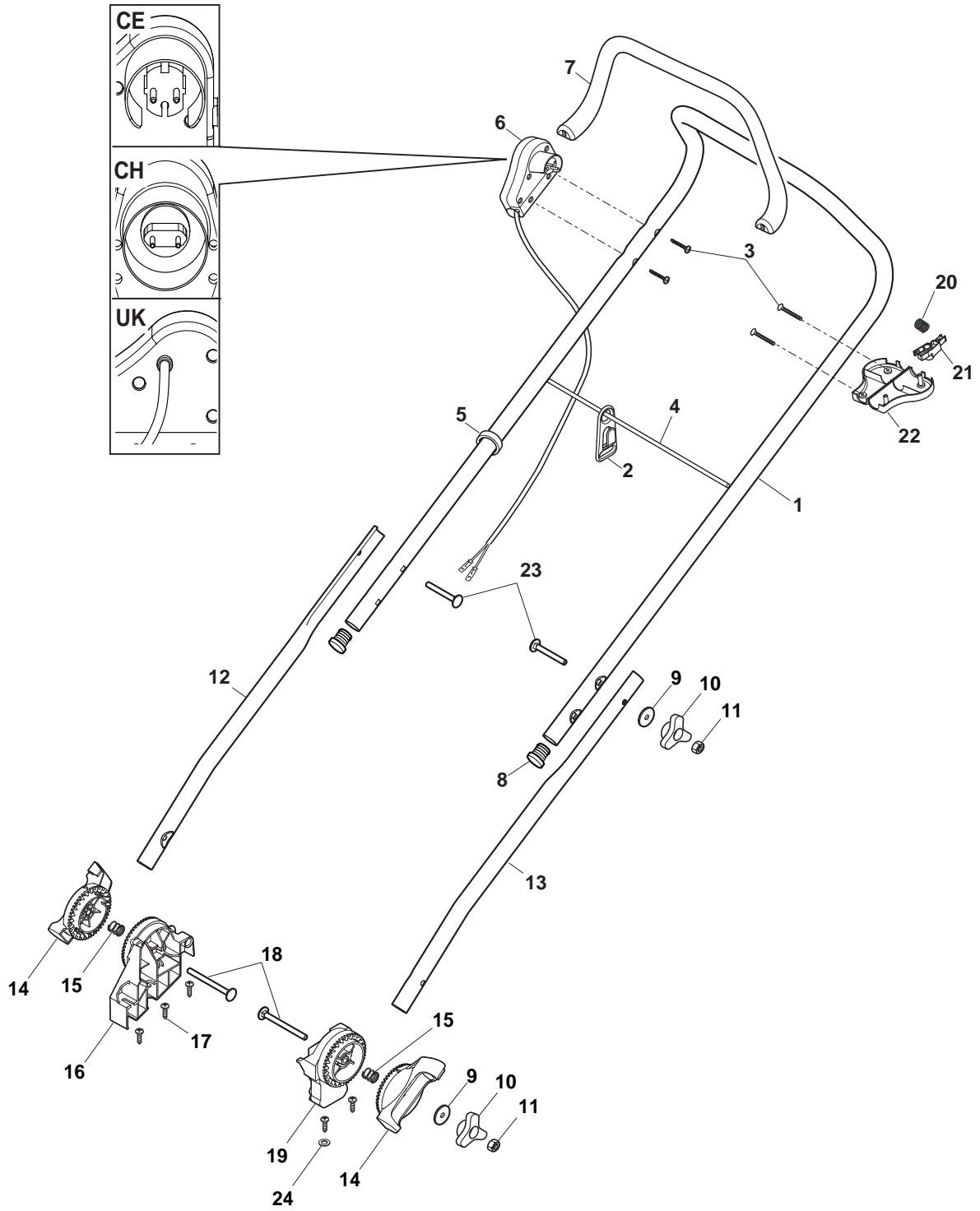


POS	PART. NO	Q.ty	DESCRIPTION	DESCRIZIONE	BESCHREIBUNG	DESCRIPTION	REMARKS
1	322055168/0	1	Frontal Plate	Piastra Frontale	Front Plättchen	Avant Plaquette	
2	322055209/0	1	Deck Red	Chassis Rosso	Gehäuse Rot	Châssis Rouge	
3	112728714/0	12	Screw	Vite	Schraube	Vis	
4	322393661/1	1	Cover	Capottina	Haube	Capot	
5	322393668/0	1	Handle	Maniglia	Griff	Poignée	
6	122450470/0	1	Spring	Molla	Feder	Ressort	
7	322524356/0	1	Pin	Perno	Bolzen	Pivot	
8	322600236/0	1	Stone-Guard	Parasassi	Prallblech	Pare-Pierres	
9	322486301/0	1	Grass-Box, R Lower	Sacco, Parte Inf Dx	Korb, R Unterteil	Sac, Partie Inferieure D	
10	322486302/0	1	Grass-Box, L Lower	Sacco, Parte Inf Sx	Korb, L Unterteil	Sac, Partie Inferieure G	
11	322486308/0	1	Grass-Box, Upper	Sacco, Parte Sup	Korb, Oberteil	Sac, Partie Superieure	White
11	322486309/0	1	Grass-Box, Upper	Sacco, Parte Sup	Korb, Oberteil	Sac, Partie Superieure	Red
11	322486323/0	1	Grass-Box, Upper	Sacco, Parte Sup	Korb, Oberteil	Sac, Partie Superieure	Yellow
11	322486329/0	1	Grass-Box, Upper	Sacco, Parte Sup	Korb, Oberteil	Sac, Partie Superieure	Grey
12	322393656/0	1	Handle	Maniglia	Griff	Poignée	
16	322140243/0	1	Mulching Plug	Tappo Mulching	Gummistopfen Mulching	Bouchon Mulching	
17	322393676/0	1	Engine Protection	Protezione Motore	Motorschutz	Protection du moteur	
18	322393670/0	1	Right Engine Cover	Copertura Motore Destra	Recht Motorabdeckung	Couverture du moteur, Droit	
19	322393671/0	1	Left Engine Cover	Copertura Motore Sinistra	Linke Motorabdeckung	Couverture du moteur, Gauche	
20	113300215/0	1	Scraper	Scraper	Scraper	Scraper	

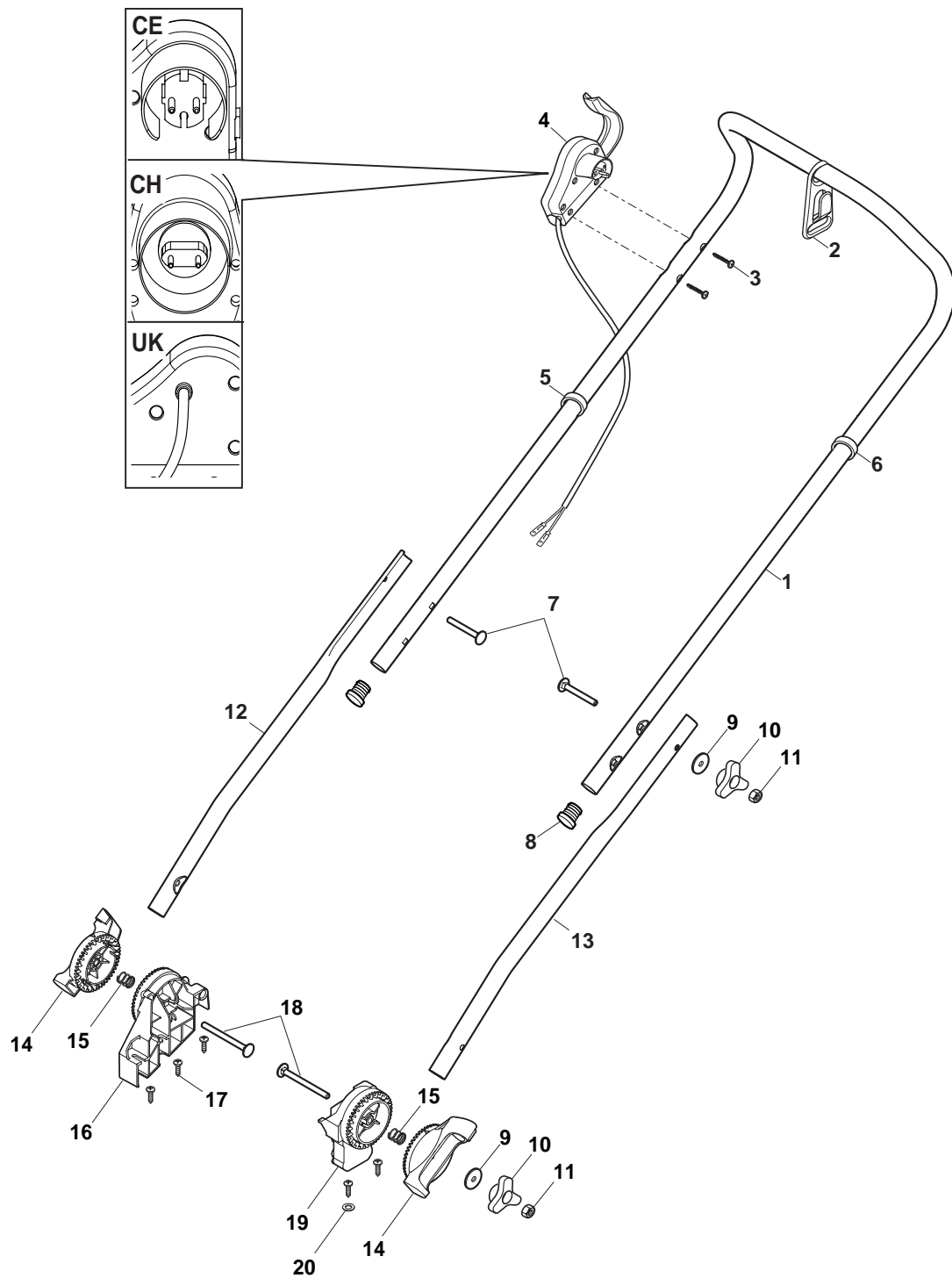


POS	PART. NO	Q.ty	DESCRIPTION	DESCRIZIONE	BESCHREIBUNG	DESCRIPTION	REMARKS
1	322055159/0	1	Deck White	Chassis Bianco	Gehäuse Weiß	Châssis Blanc	
1	322055180/0	1	Deck Yellow	Chassis Giallo	Gehäuse Rouge	Châssis Jaune	
2	322109857/0	1	Side Cover, Grey	Copertura Laterare, Grigio	Grau Seitentür	Couvre latéral Gris	
2	322109867/0	1	Side Cover, Black	Copertura Laterare Nera	Schwarz Seitentür	Couvre latéral Noir	
3	322109855/0	1	Cover Height Adjusting, Grey	Copertura Reg. Altezza, Grigio	Haube Höheverstellung, Grau	Capot Reglage Hauteur, Gris	
3	322109868/0	1	Cover Height Adjusting, Black	Copertura Reg. Altezza, Nero	Haube Höheverstellung, Schwarz	Capot Reglage Hauteur, Noir	
4	322393658/0	1	Cover, Grey	Capottina Grigio	Haube Grau	Capot Jaune	
4	322393665/0	1	Cover, Black	Copertura, Nero	Kappe, Schwarz	Couvre, Noir	
5	322393659/0	1	Handle, Lower Part	Parte Inf Maniglia	Griff, Unterteil	Poignée, Partie Inferieure	
6	122450470/0	1	Spring	Molla	Feder	Ressort	
7	322524356/0	1	Pin	Perno	Bolzen	Pivot	
8	322600243/0	1	Stone-Guard, Grey	Parasassi Grigio	Prallblech, Grau	Pare-Pierres, Gris	
8	322600255/0	1	Stone-Guard, Black	Parasassi, Nero	Prallblech, Schwarz	Pare-Pierres, Noir	
9	322486295/0	1	Grass-Box, R Lower Grey	Sacco, Parte Inf Dx Grigio	Korb, R Unterteil Grau	Sac, Partie Inferieure Droite Gris	
9	322486326/0	1	Grass-Box, R Lower Black	Sacco, Parte Inf Dx Nero	Korb, R Unterteil Schwarz	Sac, Partie Inferieure Droite Noir	
10	322486296/0	1	Grass-Box, L Lower Grey	Sacco, Parte Inf Sx Grigio	Korb, L Unterteil Grau	Sac, Partie Inferieure Gauche Gris	
10	322486327/0	1	Grass-Box, L Lower Black	Sacco, Parte Inf Sx Nero	Korb, L Unterteil Schwarz	Sac, Partie Inferieure Gauche Noir	
11	322486308/0	1	Grass-Box, Upper	Sacco, Parte Sup	Korb, Oberteil	Sac, Partie Superieure	White
11	322486309/0	1	Grass-Box, Upper	Sacco, Parte Sup	Korb, Oberteil	Sac, Partie Superieure	Red
11	322486323/0	1	Grass-Box, Upper	Sacco, Parte Sup	Korb, Oberteil	Sac, Partie Superieure	Yellow
11	322486329/0	1	Grass-Box, Upper	Sacco, Parte Sup	Korb, Oberteil	Sac, Partie Superieure	Grey
12	322393656/0	1	Handle, Grey	Maniglia Grigia	Griff, Grau	Poignée, Gris	
12	322393666/0	1	Handle, Black	Maniglia, Nero	Griff, Schwarz	Poignée, Noir	
13	322140243/0	1	Mulching Plug	Tappo Mulching	Gummistopfen Mulching	Bouchon Mulching	
14	322393672/0	1	Engine Protection	Protezione Motore	Motorschutz	Protection du moteur	
17	112728714/0	12	Screw	Vite	Schraube	Vis	
18	322055168/0	1	Frontal Plate	Piastra Frontale	Front Plättchen	Avant Plaquette	
20	113300215/0	1	Scraper	Scraper	Scraper	Scraper	

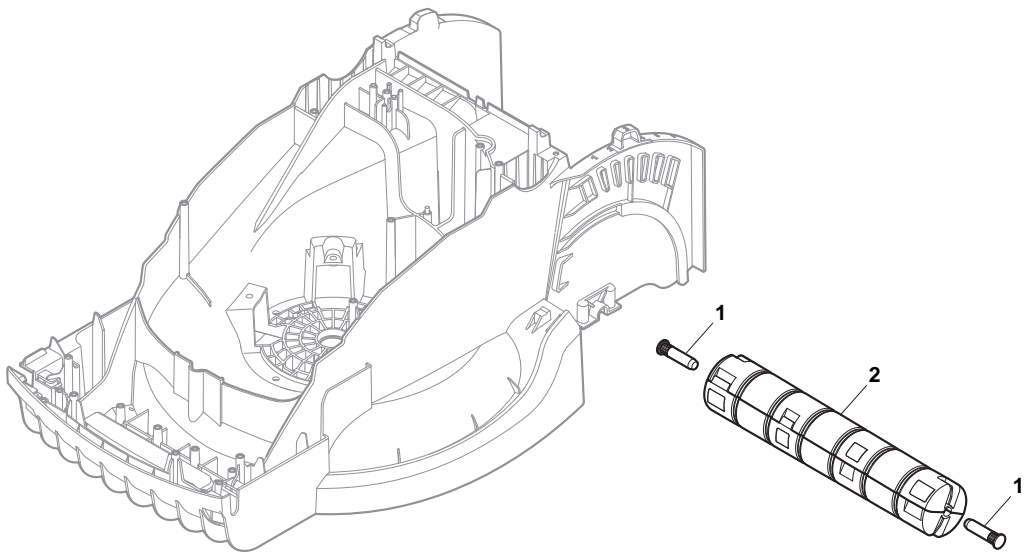
POS	PART. NO	Q.ty	DESCRIPTION	DESCRIZIONE	BESCHREIBUNG	DESCRIPTION	REMARKS
1	322291034/0	1	Upper Half Handgrip Switch	Semiinpugnatura Sup. Salvamotore	Oberteil Hälfte Tot Manschalter	Poignée Demi Sup. Int. Main Morte	
2	381600521/0	1	Dead Hand Switch	Salvamotore	Tot Manschalter	Int. Main Morte	CE
2	381600522/0	1	Dead Hand Switch	Salvamotore	Tot Manschalter	Int. Main Morte	SEV
2	381600523/0	1	Dead Hand Switch	Salvamotore	Tot Manschalter	Int. Main Morte	UK Yellow
2	381600527/0	1	Dead Hand Switch	Salvamotore	Tot Manschalter	Int. Main Morte	UK Red
3	322291035/0	1	Lower Half Handgrip Switch	Semiinpugnatura Inf. Salvamotore	Untere Hälfte Tot Manschalter	Poignée Demi Inferiore Int. Main Morte	
4	112728713/0	11	Screw	Vite	Schraube	Vis	
5	381007515/0	1	Handle,Left Lower Part	Manico, Parte Inf Sx	Holm, Linke Unterteil	Mancheron, Partie Inferieure G	
6	122192000/1	1	Clamp	Staffa	Bride	Etrier	
7	112523050/0	4	Washer	Rosetta	Scheibe	Rondelle	
8	122524352/0	4	Pin	Perno	Bolzen	Pivot	
9	322319519/0	4	Fixing Lever Handle	Leva Fix Manico	Fixing Hebelgriff	Fixation de la poignée de levier	
9	322319520/0	4	Fixing Lever Handle	Leva Fix Manico	Fixing Hebelgriff	Fixation de la poignée de levier	
10	122943016/0	2	Screw	Vite	Schraube	Vis	
11	322246100/0	2	Handle Joint	Giunto	Handle Joint	Handle Joint	
12	122430210/0	2	Spring	Molla	Feder	Ressort	
13	322745052/0	2	Right Joint	Giunto Destro	Gelenk Rechte	Jointe Droit	
14	112728714/0	5	Screw	Vite	Schraube	Vis	
15	322745051/0	1	Left Joint	Giunto Sinistro	Gelenk Linke	Jointe Gauche	
16	122943017/0	2	Screw	Vite	Schraube	Vis	
18	118566112/0	2	Cap	Puntale	Gummistopfen	Bouchon	
19	381007513/0	2	Handle, Lower Part	Parte Inf Maniglia	Griff, Unterteil	Poignée, Partie Inferieure	
20	381007514/0	1	Handle, Right Lower Part	Manico, Parte Inf Dx	Holm, Rechte Unterteil	Mancheron, Partie Inferieure	
21	112521320/0	1	Washer	Rosetta	Scheibe	Rondelle	



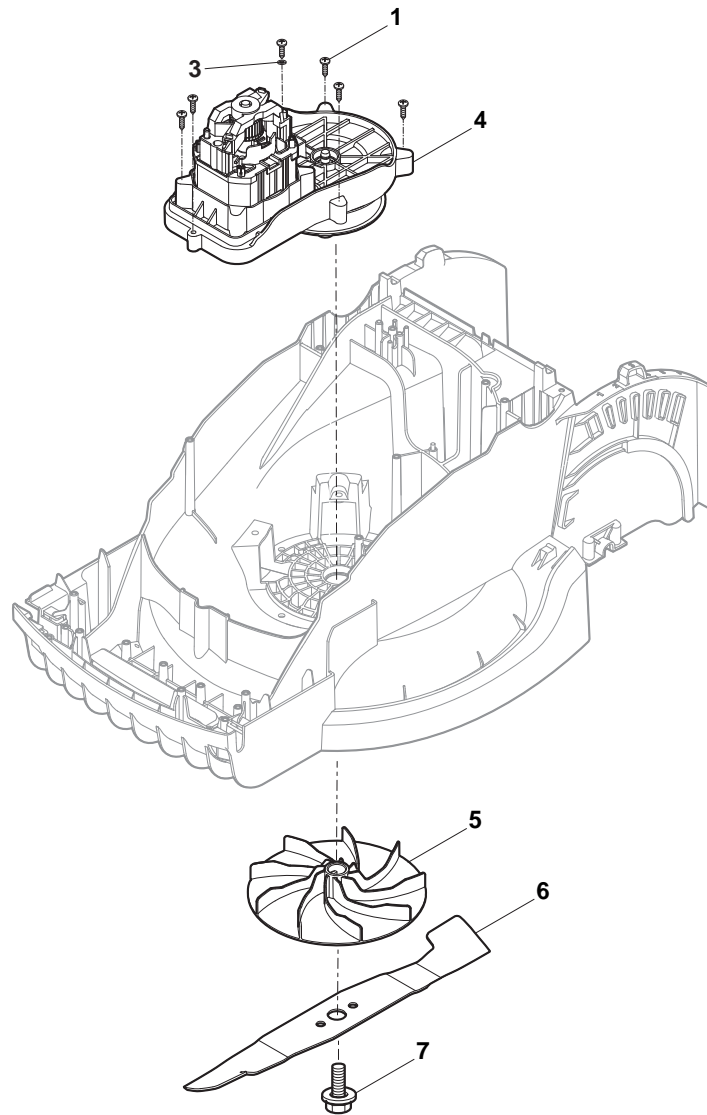
POS	PART. NO	Q.ty	DESCRIPTION	DESCRIZIONE	BESCHREIBUNG	DESCRIPTION	REMARKS
1	381007516/0	1	Handle, Upper Part	Manico, Parte Sup	Holm, Oberteil	Mancheron, Partie Superieure	
2	322195101/4	1	Fairlead	Fermacavo	Kabelbefestigung	Fixation Cable	
3	112728701/0	4	Screw	Vite	Schraube	Vis	
4	122010250/0	1	Rod, Fairlead Bearing	Asta Aggancio Fermacavo	Stange, Kabelhalter	Tige Support Serrecable	
5	122192000/1	1	Clamp	Staffa	Bride	Etrier	
6	381600503/4	1	Dead Hand Switch	Salvamotore	Tot Manschalter	Int. Main Morte	CE
6	381600504/4	1	Dead Hand Switch	Salvamotore	Tot Manschalter	Int. Main Morte	CH
6	381600505/3	1	Dead Hand Switch	Salvamotore	Tot Manschalter	Int. Main Morte	UK
7	322322880/1	1	Lever, Engine Brake Black	Leva Freno Motore Nero	Hebel, Motorbremse Schwarz	Levier Frein Moteur Noir	
7	322322882/1	1	Lever, Engine Brake Red	Leva Freno Motore, Rosso	Hebel, Motorbremse, Rot	Levier Frein Moteur Rouge	
7	322322883/1	1	Lever, Engine Brake Yellow	Leva Freno Motore, Giallo	Hebel, Motorbremse, Gelb	Levier Frein Moteur Jaune	
8	118566112/0	2	Cap	Puntale	Gummistopfen	Bouchon	
9	112523050/0	4	Washer	Rosetta	Scheibe	Rondelle	
10	122399900/0	4	Knob	Manopolina	Griff	Poignée	
11	112154521/0	4	Nut	Dado	Mutter	Ecrou	
12	381007517/0	1	Right Handle, Lower Part	Manico, Parte Inf Dx	Holm, Rechte Unterteil	Mancheron, Partie Inferieure	
13	381007518/0	1	Left Handle, Lower Part	Manico, Parte Inf Sx	Holm, Linke Unterteil	Mancheron, Partie Inferieure G	
14	322246100/0	2	Handle Joint	Giunto	Handle Joint	Handle Joint	
15	122430210/0	2	Spring	Molla	Feder	Ressort	
16	322745052/0	2	Right Joint	Giunto Destro	Gelenk Rechte	Jointe Droit	
17	112728714/0	5	Screw	Vite	Schraube	Vis	
18	122943017/0	2	Screw	Vite	Schraube	Vis	
19	322745051/0	1	Left Joint	Giunto Sinistro	Gelenk Linke	Jointe Gauche	
20	122450115/0	1	Spring	Molla	Feder	Ressort	
21	322230350/2	1	Fulcrum Pin	Perno Fulcro	Gelenkpunkt	Pivot	
22	322785144/1	1	Support	Supporto	Halter	Support	
23	122943016/0	2	Screw	Vite	Schraube	Vis	
24	112521320/0	1	Washer	Rosetta	Scheibe	Rondelle	



POS	PART. NO	Q.ty	DESCRIPTION	DESCRIZIONE	BESCHREIBUNG	DESCRIPTION	REMARKS
1	381007516/0	1	Handle, Upper Part	Manico, Parte Sup	Holm, Oberteil	Mancheron, Partie Superieure	
2	322195101/4	1	Fairlead	Fermacavo	Kabelbefestigung	Fixation Cable	
3	112728701/0	2	Screw	Vite	Schraube	Vis	
4	381600500/2	1	Dead Hand Switch	Salvamotore	Tot Manschalter	Int. Main Morte	CE
4	381600501/2	1	Dead Hand Switch	Salvamotore	Tot Manschalter	Int. Main Morte	CH
4	381600502/2	1	Dead Hand Switch	Salvamotore	Tot Manschalter	Int. Main Morte	UK
5	122192000/1	1	Clamp	Staffa	Bride	Etrier	
6	122192151/0	1	Fairlead	Fermacavo	Kabelbefestigung	Fixation Cable	
7	122943016/0	2	Screw	Vite	Schraube	Vis	
8	118566112/0	2	Cap	Puntale	Gummistopfen	Bouchon	
9	112523050/0	4	Washer	Rosetta	Scheibe	Rondelle	
10	122399900/0	4	Knob	Manopolina	Griff	Poignée	
11	112154521/0	4	Nut	Dado	Mutter	Ecrou	
12	381007517/0	1	Right Handle, Lower Part	Manico, Parte Inf Dx	Holm, Rechte Unterteil	Mancheron, Partie Inferieure	
13	381007518/0	1	Left Handle, Lower Part	Manico, Parte Inf Sx	Holm, Linke Unterteil	Mancheron, Partie Inferieure G	
14	322246100/0	2	Handle Joint	Giunto	Handle Joint	Handle Joint	
15	122430210/0	2	Spring	Molla	Feder	Ressort	
16	322745052/0	2	Right Joint	Giunto Destro	Gelenk Rechte	Jointe Droit	
17	112728714/0	5	Screw	Vite	Schraube	Vis	
18	122943017/0	2	Screw	Vite	Schraube	Vis	
19	322745051/0	1	Left Joint	Giunto Sinistro	Gelenk Linke	Jointe Gauche	
20	112521320/0	1	Washer	Rosetta	Scheibe	Rondelle	



POS	PART. NO	Q.ty	DESCRIPTION	DESCRIZIONE	BESCHREIBUNG	DESCRIPTION	REMARKS
1	122519824/0	2	Pin	Perno	Bolzen	Pivot	
2	322670016/0	2	Roller	Roller	Roller	Roller	



POS	PART. NO	Q.ty	DESCRIPTION	DESCRIZIONE	BESCHREIBUNG	DESCRIPTION	REMARKS
1	112728699/0	4	Screw	Vite	Schraube	Vis	
3	112523020/0	1	Washer	Rosetta	Scheibe	Rondelle	
4	118563696/1	1	Motor	Motore	Motor	Moteur	1600W
4	118563697/1	1	Motor	Motore	Motor	Moteur	1800W
5	322465644/0	1	Hub	Mozzo	Nabe	Moyeu	
6	181004155/0	1	Blade	Coltello	Messer	Lame	
7	381004352/1	1	Screw	Vite	Schraube	Vis	