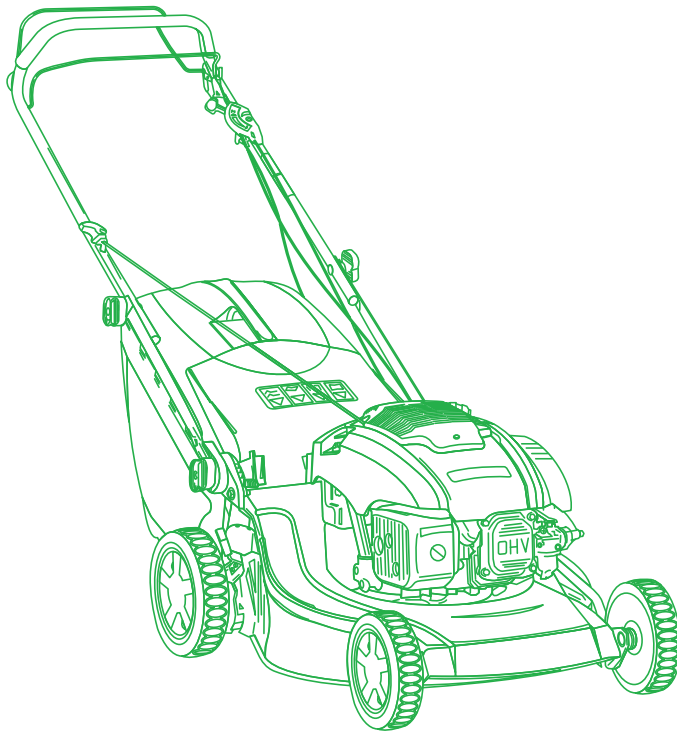


ILLUSTRATED PARTS LIST

CA 480
CAL 480



- Use GLOBAL GARDEN PRODUCT Genuine Spare Parts specified in the parts list for repair and/or replacement.
- The contents described in the parts list may change due to improvement.
- The drawings of the spare parts are only indicative and might not represent the part in question exactly.
- The indications "right" - "left" - "front" - "rear" refer to the position of the operator when using the machine.
- When placing orders of parts for repair and/or replacement, make sure that the illustrated parts list is the one applying to the machine's year of manufacture, as shown on the identification plate attached to the machine.

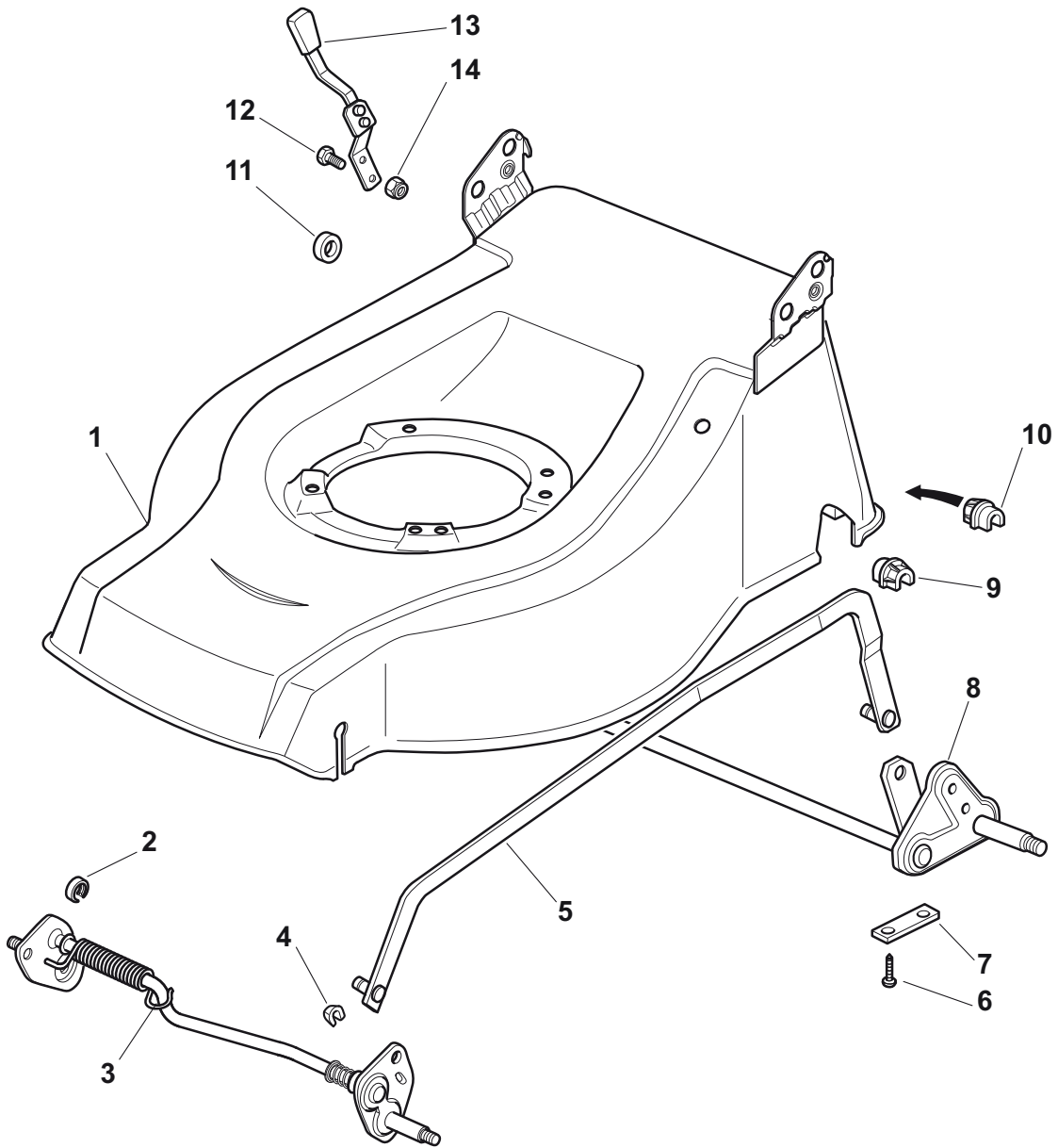
© Copyright 2012 Global Garden Products

All content is subject to copyright by Global Garden Products and may not be reproduced in whole or in part by any means, electronic or otherwise, without prior written approval.

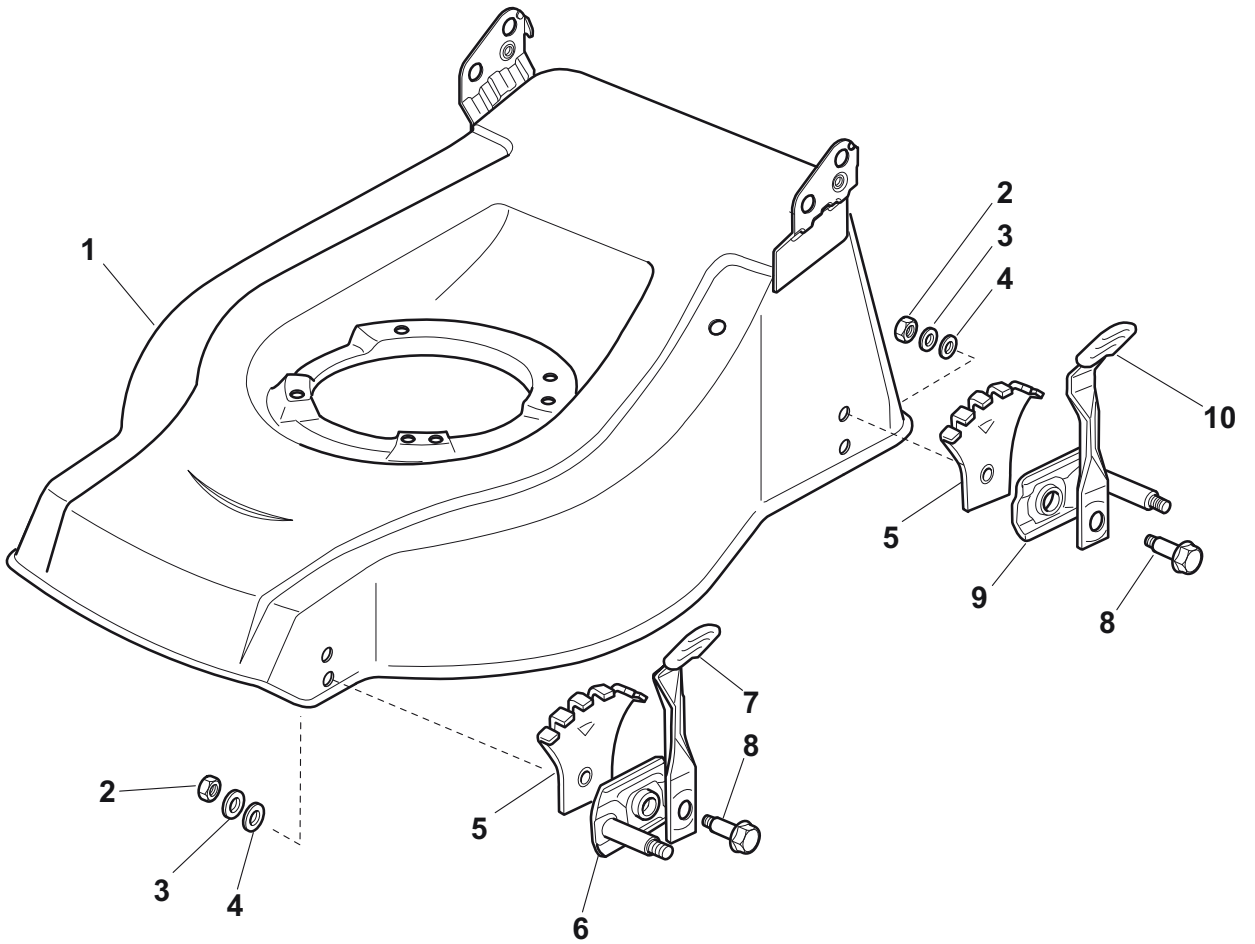
THIS INFORMATION IS NOT INTENDED FOR SALE OR RESALE, AND THIS NOTICE MUST REMAIN ON ALL COPIES.



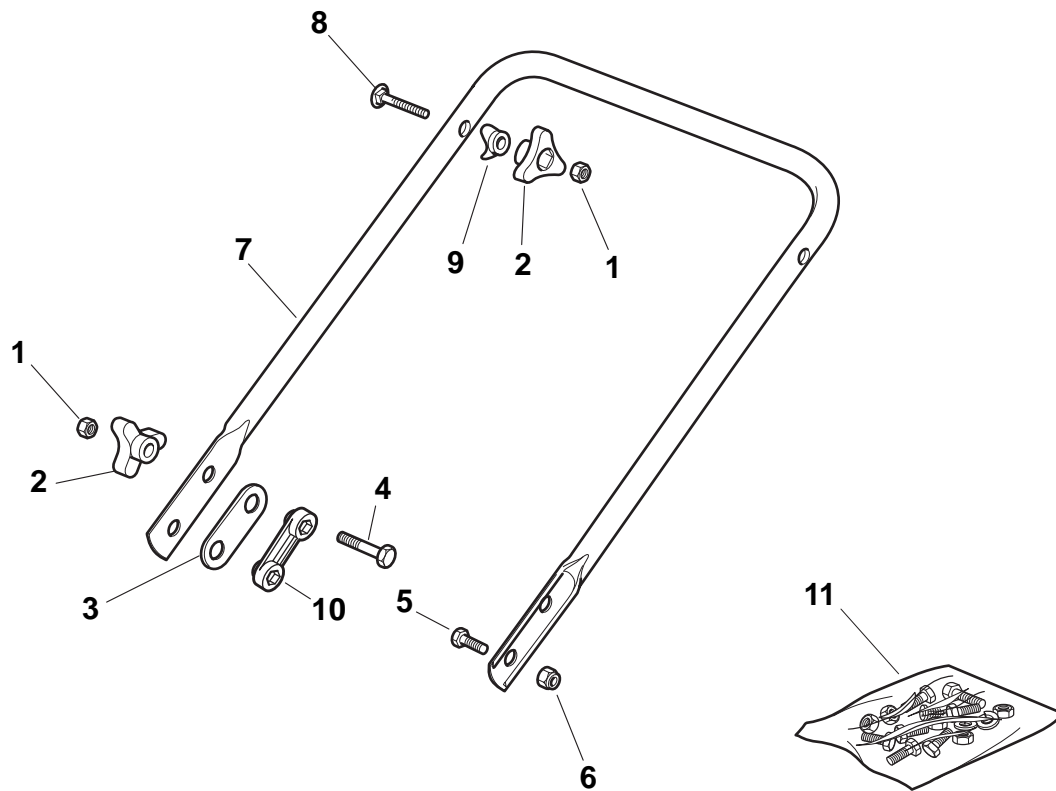
GLOBAL GARDEN PRODUCTS



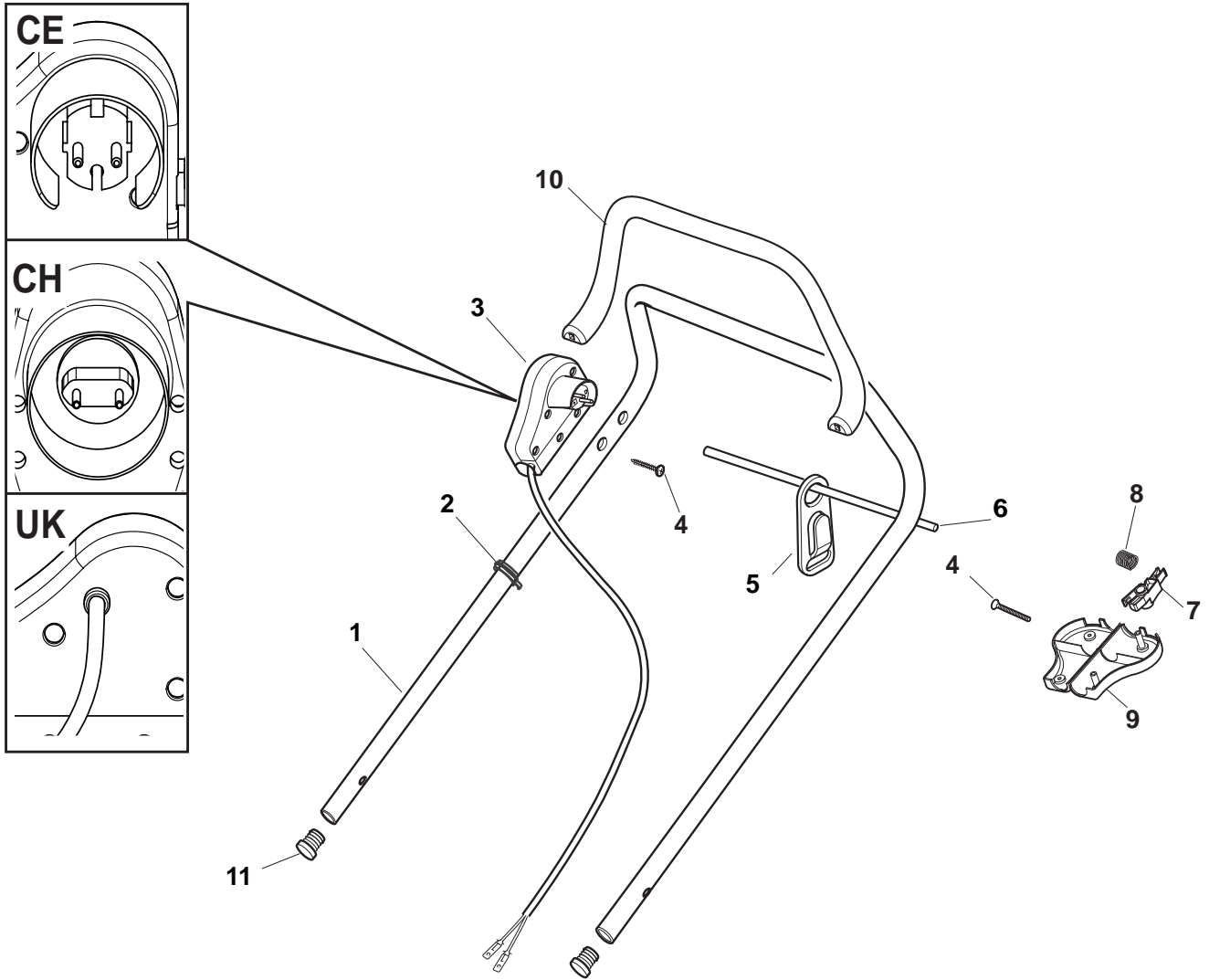
POS	PART. NO	Q.ty	DESCRIPTION	DESCRIZIONE	DESCRIPTION	BESCHREIBUNG	REMARKS
1	381001815/1	1	Deck Red	Chassis Rosso	Châssis Rouge	Gehäuse Rot	
2	122171002/0	1	Spacer	Distanziale	Entretoise	Distanzring	
3	381000141/1	1	Axle, Front Wheels	Asse Ruote Anteriori	Axe Roues Avant	Achse, Vorderrad	
4	112436051/0	2	Plate	Piastrina	Plaquette	Plättchen	
5	381002020/0	1	Rod, Height Adjustment	Asta Comando Regol. Altezza	Tige Commande Reglage Hauteur	Stange, Höheverstellung	
6	112731350/0	4	Screw	Vite	Vis	Schraube	
7	322545142/0	2	Plate	Piastrina	Plaquette	Plättchen	
8	381001278/0	1	Axle, Rear Wheels	Asse Ruote Posteriore	Axe Roues Arriere	Achse, Hinterrad	
9	122038403/0	1	L Bush	Bronzina Sx	Douille G	Linke Buchse	
10	122038402/0	1	R Bush	Bronzina Dx	Douille D	Rechte Buchse	
11	122170800/0	1	Spacer	Distanziale	Entretoise	Distanzring	
12	112789000/0	2	Screw	Vite	Vis	Schraube	
13	381003283/1	1	Lever, Height Adjustment	Leva Regolazione Altezza	Levier Reglage Hauteur	Hebel, Höneverstellung	
14	112154320/0	2	Nut	Dado	Ecrou	Mutter	



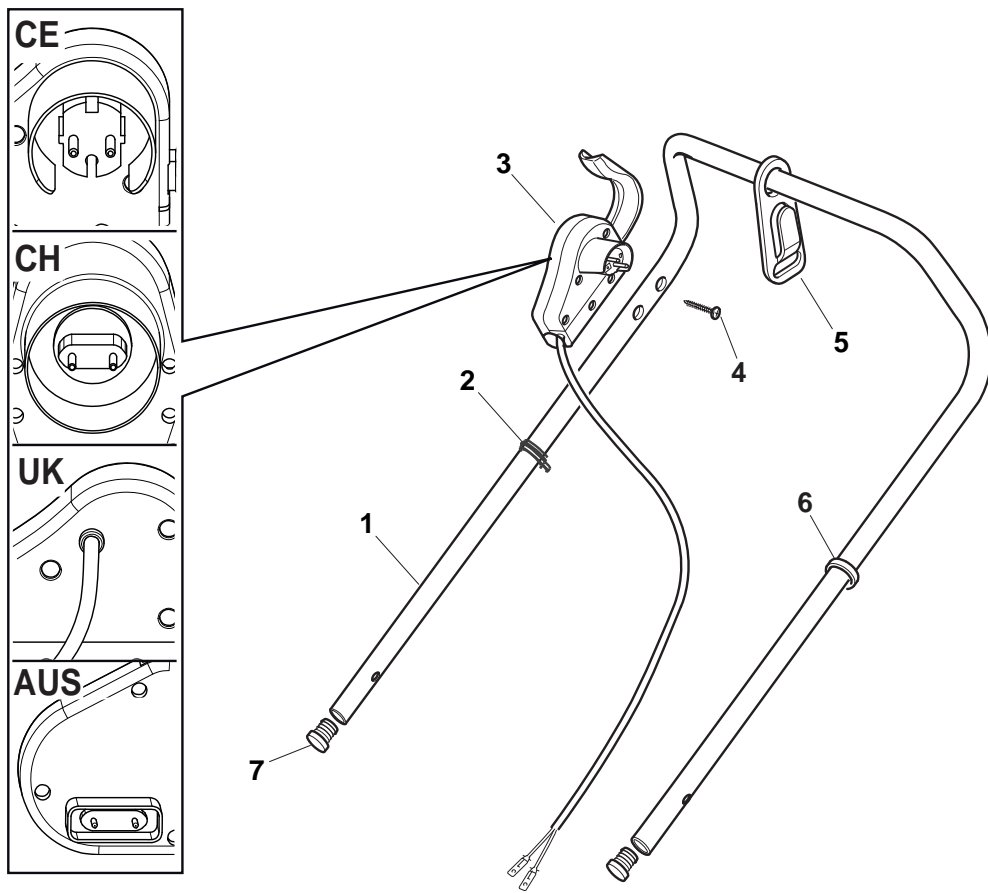
POS	PART. NO	Q.ty	DESCRIPTION	DESCRIZIONE	DESCRIPTION	BESCHREIBUNG	REMARKS
1	381001800/1	1	Deck Red	Chassis Rosso	Châssis Rouge	Gehäuse Rot	
2	112293200/0	4	Nut	Dado	Ecrou	Mutter	
3	112583500/0	4	Grower	Grower	Grower	Federring	
4	112523070/0	4	Washer	Rosetta	Rondelle	Scheibe	
5	322735547/0	4	Sector, Height Adjustment	Settore Regolazione Altezza	Secteur Reglage Hauteur	Sektor, Höheverstellung	
6	381005082/0	2	Support, Wheel	Supporto Ruota	Support Roue	Halter, Rad	
7	481003285/1	2	Lever, Height Adjustment	Leva Regolazione Altezza	Levier Reglage Hauteur	Hebel, Höneverstellung	
8	122519811/0	4	Pin	Perno	Pivot	Bolzen	
9	381005084/0	2	Support, Wheel	Supporto Ruota	Support Roue	Halter, Rad	
10	481003286/0	2	Lever, Height Adjustment	Leva Regolazione Altezza	Levier Reglage Hauteur	Hebel, Höneverstellung	



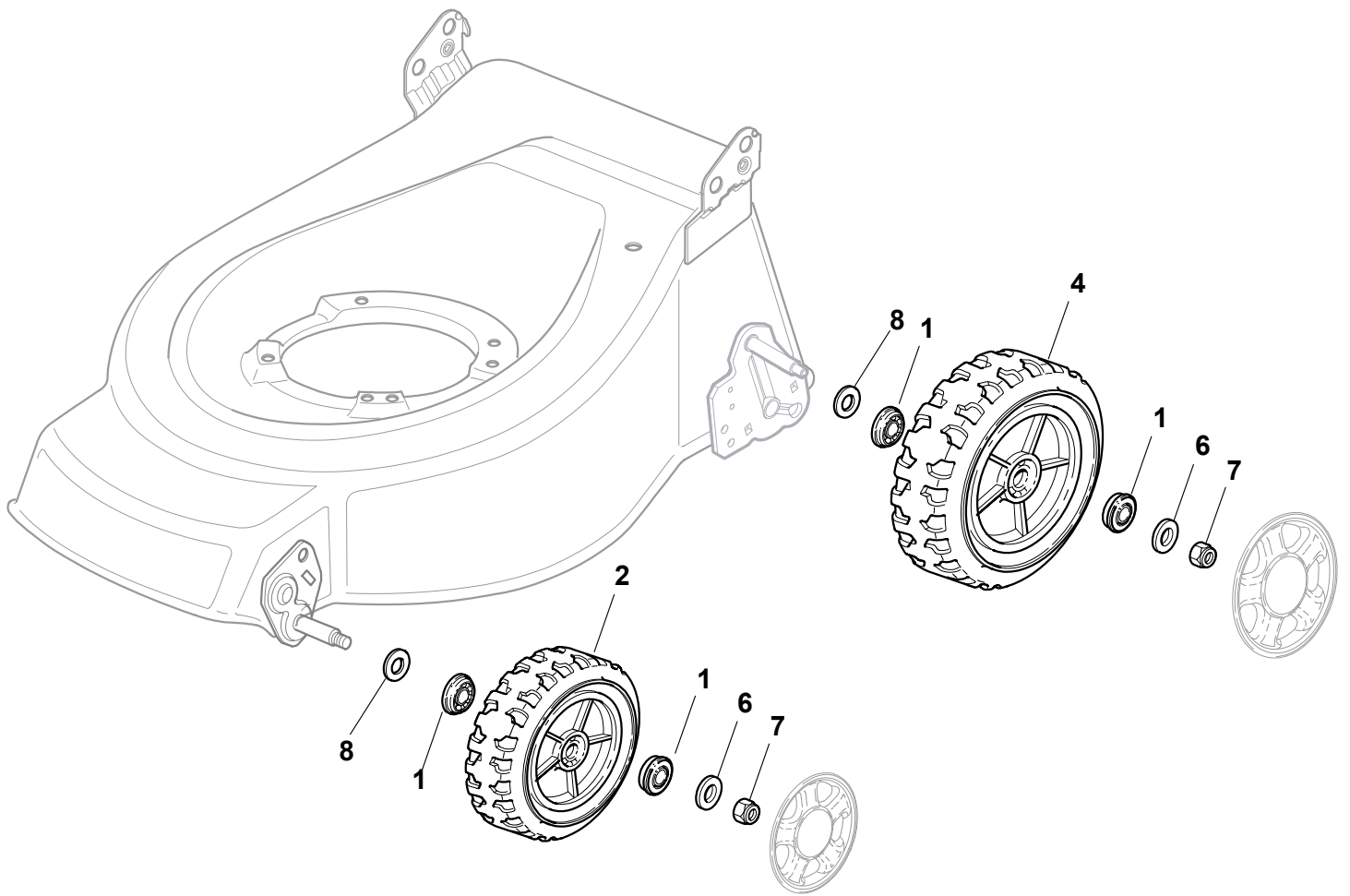
POS	PART. NO	Q.ty	DESCRIPTION	DESCRIZIONE	DESCRIPTION	BESCHREIBUNG	REMARKS
1	112293200/0	4	Nut	Dado	Ecrou	Mutter	
2	122399900/0	4	Knob	Manopolina	Poignée	Griff	
3	122551574/0	2	Plate, Outside	Piastrina Esterna	Plaquette Externe	Platte, Äußere	
4	112691115/0	2	Screw	Vite	Vis	Schraube	
5	112793300/0	2	Screw	Vite	Vis	Schraube	
6	112155000/0	2	Nut	Dado	Ecrou	Mutter	
7	381006512/0	1	Handle, Lower Part	Parte Inf Maniglia	Poignée, Partie Inferieure	Griff, Unterteil	
8	112819201/0	2	Screw	Vite	Vis	Schraube	
9	122680006/1	2	Washer	Rosetta	Rondelle	Scheibe	
10	122551575/0	2	Plate, Inside	Piastrina Interna	Plaquette Interne	Platte, Innere	
11	381008596/1	1	Outfit, Screws	Dotazione Viteria	Dotation Visserie	Satz, Schrauben	



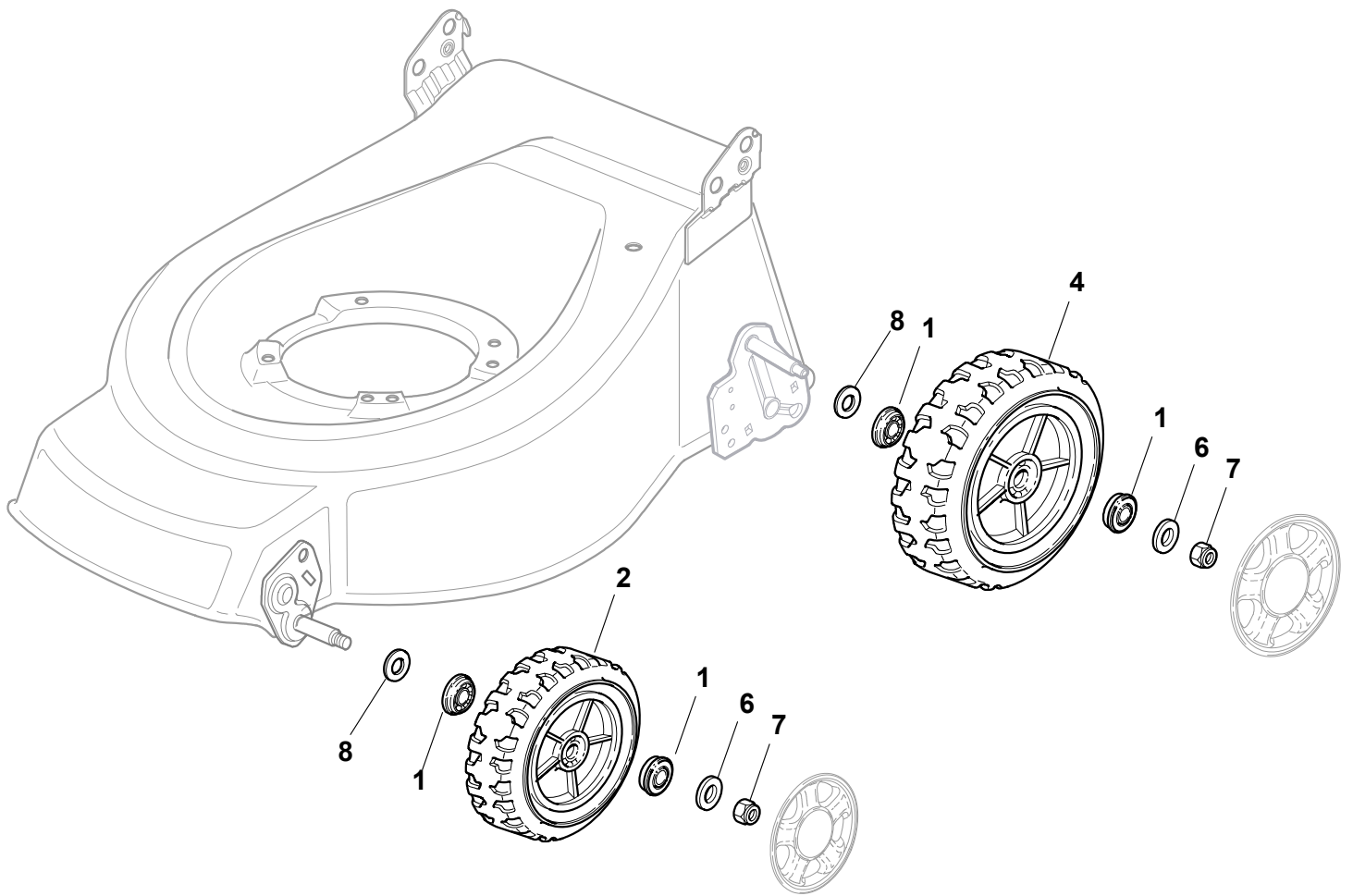
POS	PART. NO	Q.ty	DESCRIPTION	DESCRIZIONE	DESCRIPTION	BESCHREIBUNG	REMARKS
1	381007037/1	1	Handle, Upper Part	Manico, Parte Sup	Mancheron, Partie Superieure	Holm, Oberteil	
2	122192000/1	2	Clamp	Staffa	Etrier	Bride	
3	381600503/4	1	Dead Hand Switch	Salvatore	Int. Main Morte	Tot Manschalter	CE
3	381600504/4	1	Dead Hand Switch	Salvatore	Int. Main Morte	Tot Manschalter	CH
3	381600505/4	1	Dead Hand Switch	Salvatore	Int. Main Morte	Tot Manschalter	UK
4	112728701/0	4	Screw	Vite	Vis	Schraube	
5	322195101/4	1	Fairlead	Fermacavo	Fixation Cable	Kabelbefestigung	
6	122010251/0	1	Rod, Fairlead Bearing	Asta Aggancio Fermacavo	Tige Support Serrecable	Stange, Kabelhalter	
7	322230350/1	1	Fulcrum Pin	Perno Fulcro	Pivot	Gelenkpunkt	
8	122450115/0	1	Spring	Molla	Ressort	Feder	
9	322785144/1	1	Support	Supporto	Support	Halter	
10	322322881/1	1	Lever, Engine Brake Black	Leva Freno Motore Nero	Levier Frein Moteur Noir	Hebel, Motorbremse Schwarz	
10	322322884/1	1	Lever, Engine Brake Red	Leva Freno Motore, Rosso	Levier Frein Moteur Rouge	Hebel, Motorbremse, Rot	
10	322322885/1	1	Lever, Engine Brake Yellow	Leva Freno Motore, Giallo	Levier Frein Moteur Jaune	Hebel, Motorbremse, Gelb	
11	118566112/0	2	Cap	Puntale	Bouchon	Gummistopfen	



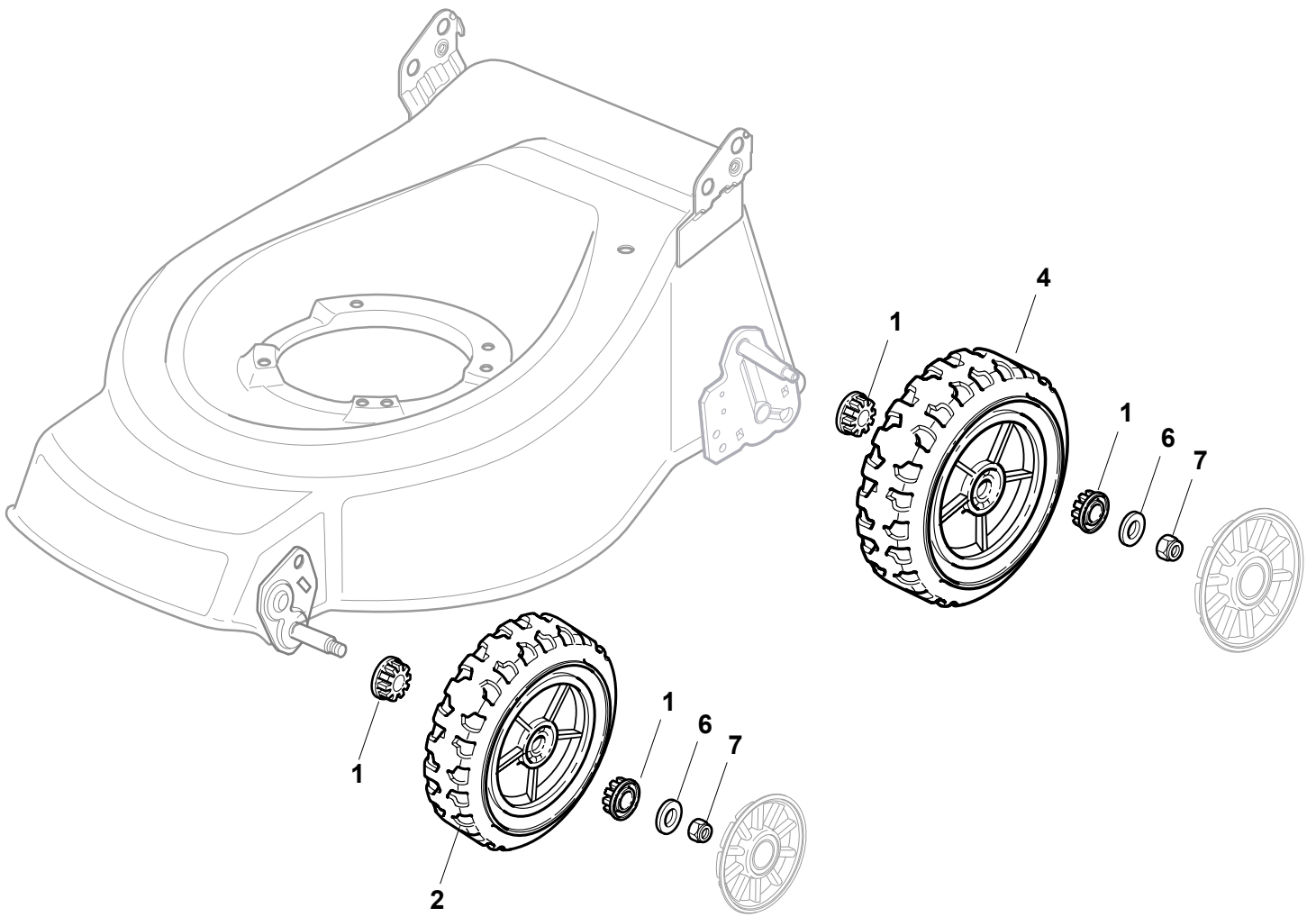
POS	PART. NO	Q.ty	DESCRIPTION	DESCRIZIONE	DESCRIPTION	BESCHREIBUNG	REMARKS
1	381007037/1	1	Handle, Upper Part	Manico, Parte Sup	Mancheron, Partie Superieure	Holm, Oberteil	
2	122192000/1	2	Clamp	Staffa	Etrier	Bride	
3	381600500/2	1	Dead Hand Switch	Salvatore	Int. Main Morte	Tot Manschalter	(CE)
3	381600501/2	1	Dead Hand Switch	Salvatore	Int. Main Morte	Tot Manschalter	(CH)
3	381600502/2	1	Dead Hand Switch	Salvatore	Int. Main Morte	Tot Manschalter	(UK)
4	112728701/0	2	Screw	Vite	Vis	Schraube	
5	322195101/4	1	Fairlead	Fermacavo	Fixation Cable	Kabelbefestigung	
6	122192151/0	1	Fairlead	Fermacavo	Fixation Cable	Kabelbefestigung	
7	118566112/0	2	Cap	Puntale	Bouchon	Gummistopfen	



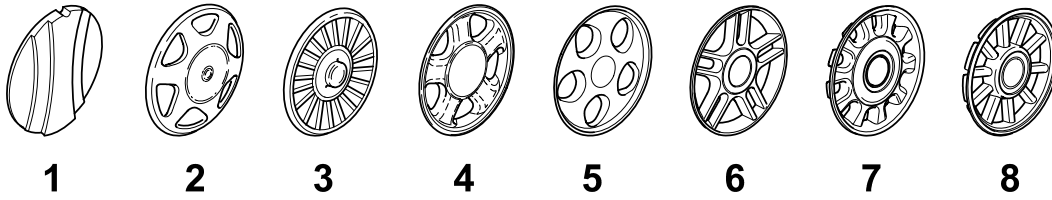
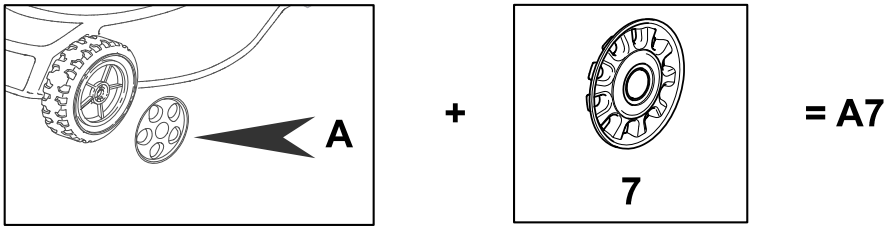
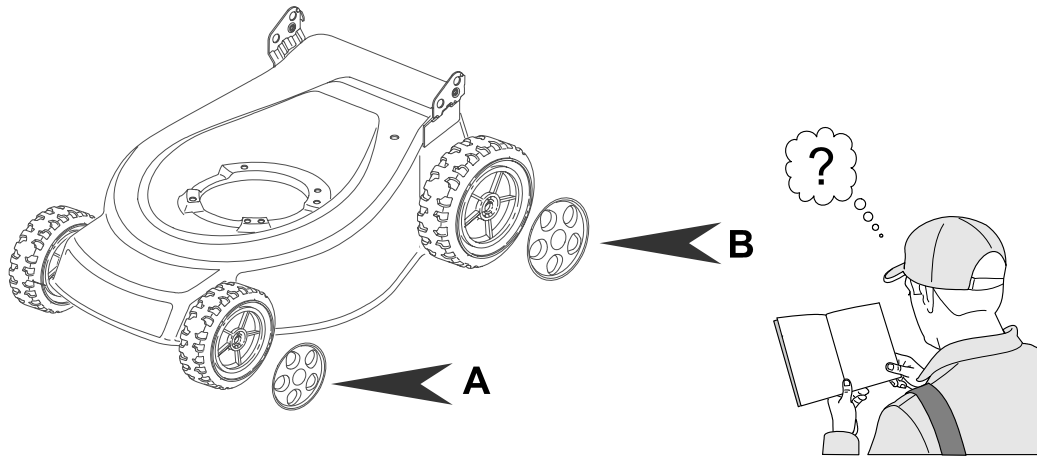
POS	PART. NO	Q.ty	DESCRIPTION	DESCRIZIONE	DESCRIPTION	BESCHREIBUNG	REMARKS
1	122122200/0	8	Bearing	Cuscinetto	Coussinet	Lager	
2	381007351/0	2	Wheel Ø 170	Ruota Ø 170	Roue Ø 170	Rad Ø 170	
4	181007343/0	2	Wheel Ø 210	Ruota Stiga Ø 210	Roue Ø 210	Rad Ø 210	
6	112523060/0	4	Washer	Rosetta	Rondelle	Scheibe	
7	112155000/0	4	Nut	Dado	Ecrou	Mutter	
8	112530150/0	4	Elastic Washer	Disco Elastico	Disque Elastique	Federscheibe	



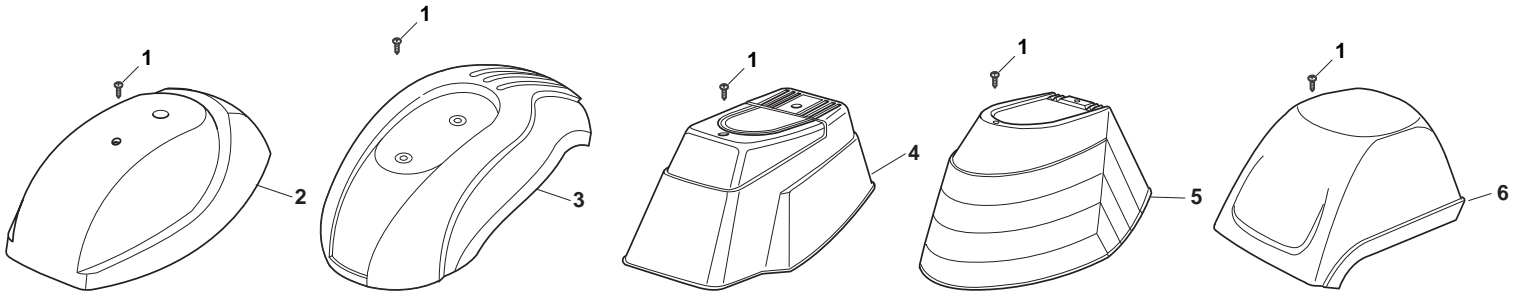
POS	PART. NO	Q.ty	DESCRIPTION	DESCRIZIONE	DESCRIPTION	BESCHREIBUNG	REMARKS
1	122122200/0	8	Bearing	Cuscinetto	Coussinet	Lager	
2	381007420/1	2	Wheel Ø 170	Ruota Ø 170	Roue Ø 170	Rad Ø 170	
4	381007390/1	2	Wheel Ø 210	Ruota Rigata Ø 210	Roue Ø 210	Rad. Ø 210	
6	112523060/0	4	Washer	Rosetta	Rondelle	Scheibe	
7	112155000/0	4	Nut	Dado	Ecrou	Mutter	
8	112530150/0	4	Elastic Washer	Disco Elastico	Disque Elastique	Federscheibe	



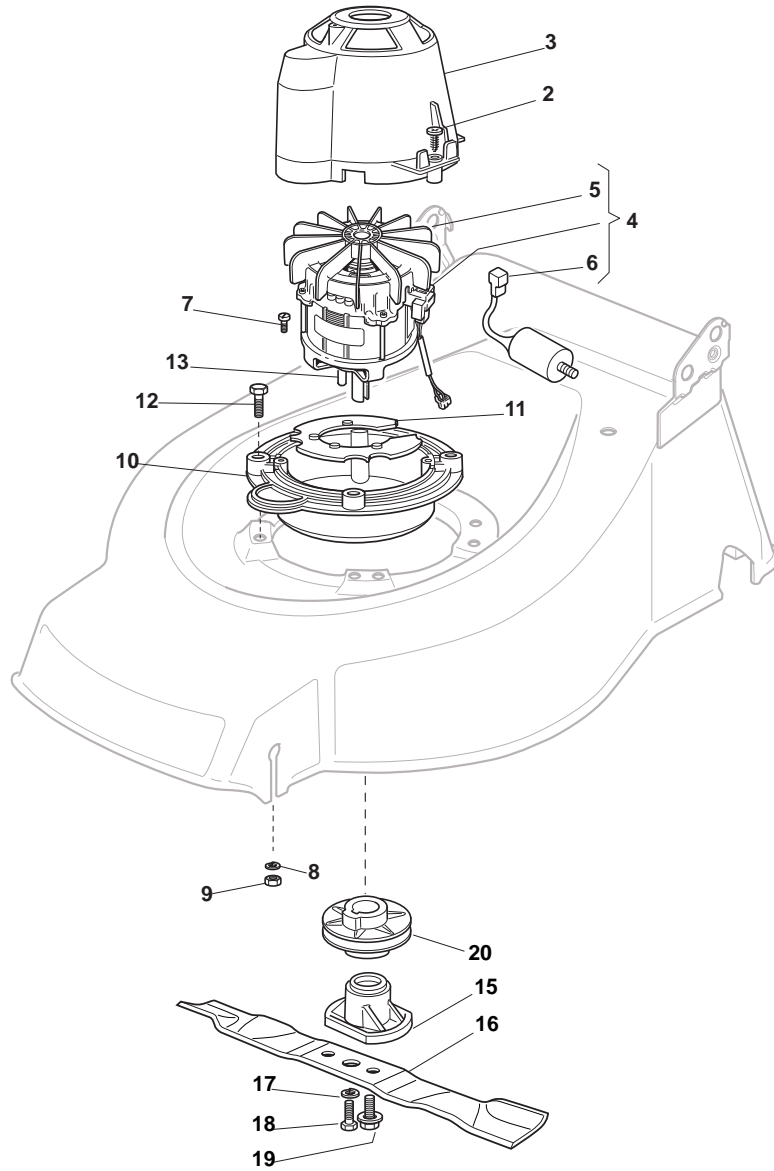
POS	PART. NO	Q.ty	DESCRIPTION	DESCRIZIONE	DESCRIPTION	BESCHREIBUNG	REMARKS
1	122034508/0	8	Bush	Bussola	Douille	Büchse	
2	381007351/0	2	Wheel Ø 170	Ruota Ø 170	Roue Ø 170	Rad Ø 170	
4	181007343/0	2	Wheel Ø 210	Ruota Stiga Ø 210	Roue Ø 210	Rad Ø 210	
6	112523060/0	4	Washer	Rosetta	Rondelle	Scheibe	
7	112155000/0	4	Nut	Dado	Ecrou	Mutter	



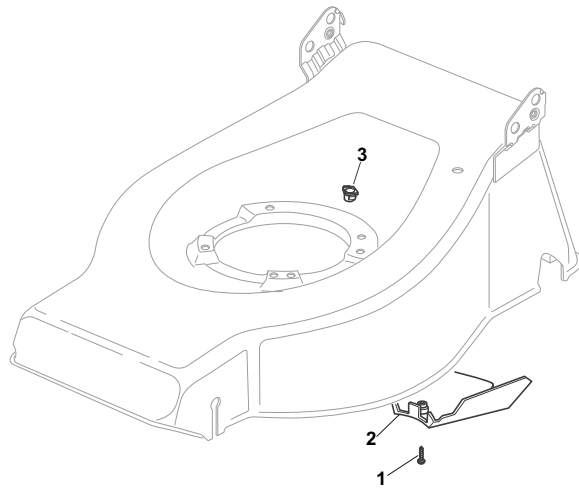
POS	PART. NO	Q.ty	DESCRIPTION	DESCRIZIONE	DESCRIPTION	BESCHREIBUNG	REMARKS
A1	22110252/1	2	Hub Cap White	Coprimito Bianco	Couvre-Moyeu Blanc	Radkappe Weiß	
A1	22110254/1	2	Hub Cap Yellow	Coprimito Giallo	Couvre-Moyeu Jaune	Radkappe Gelb	
A1	22110255/1	2	Hub Cap Red	Coprimito Rosso	Couvre-Moyeu Rouge	Radkappe Rot	
A2	22110344/0	2	Hub Cap White	Coprimito Bianco	Couvre-Moyeu Blanc	Radkappe Weiß	
A2	22110395/0	2	Hub Cap Grey	Coprimito Grigio	Couvre-Moyeu Gris	Radkappe Grau	
A3	22110347/0	2	Hub Cap Grey	Coprimito Grigio	Couvre-Moyeu Gris	Radkappe Grau	
A4	22110381/0	2	Hub Cap Grey	Coprimito Grigio	Couvre-Moyeu Gris	Radkappe Grau	
A5	22110416/0	2	Hub Cap Grey	Coprimito Grigio	Couvre-Moyeu Gris	Radkappe Grau	
A6	22110491/0	2	Hub Cap Grey	Coprimito Grigio	Couvre-Moyeu Gris	Radkappe Grau	
A7	22110493/0	2	Hub Cap Grey	Coprimito Grigio	Couvre-Moyeu Gris	Radkappe Grau	
A8	22110495/0	2	Hub Cap Grey	Coprimito Grigio	Couvre-Moyeu Gris	Radkappe Grau	
B1	22110251/0	2	Hub Cap White	Coprimito Bianco	Couvre-Moyeu Blanc	Radkappe Weiß	
B1	22110253/0	2	Hub Cap Yellow	Coprimito Giallo	Couvre-Moyeu Jaune	Radkappe Gelb	
B1	22110256/0	2	Hub Cap Grey	Coprimito Grigio	Couvre-Moyeu Gris	Radkappe Grau	
B2	22110313/0	2	Hub Cap White	Coprimito Bianco	Couvre-Moyeu Blanc	Radkappe Weiß	
B2	22110314/0	2	Hub Cap Grey	Coprimito Grigio	Couvre-Moyeu Gris	Radkappe Grau	
B3	22110348/0	2	Hub Cap Grey	Coprimito Grigio	Couvre-Moyeu Gris	Radkappe Grau	
B4	22110382/0	2	Hub Cap Grey	Coprimito Grigio	Couvre-Moyeu Gris	Radkappe Grau	
B5	22110417/0	2	Hub Cap Grey	Coprimito Grigio	Couvre-Moyeu Gris	Radkappe Grau	
B6	22110492/0	2	Hub Cap Grey	Coprimito Grigio	Couvre-Moyeu Gris	Radkappe Grau	
B7	22110494/0	2	Hub Cap Grey	Coprimito Grigio	Couvre-Moyeu Gris	Radkappe Grau	
B8	22110496/0	2	Hub Cap Grey	Coprimito Grigio	Couvre-Moyeu Gris	Radkappe Grau	



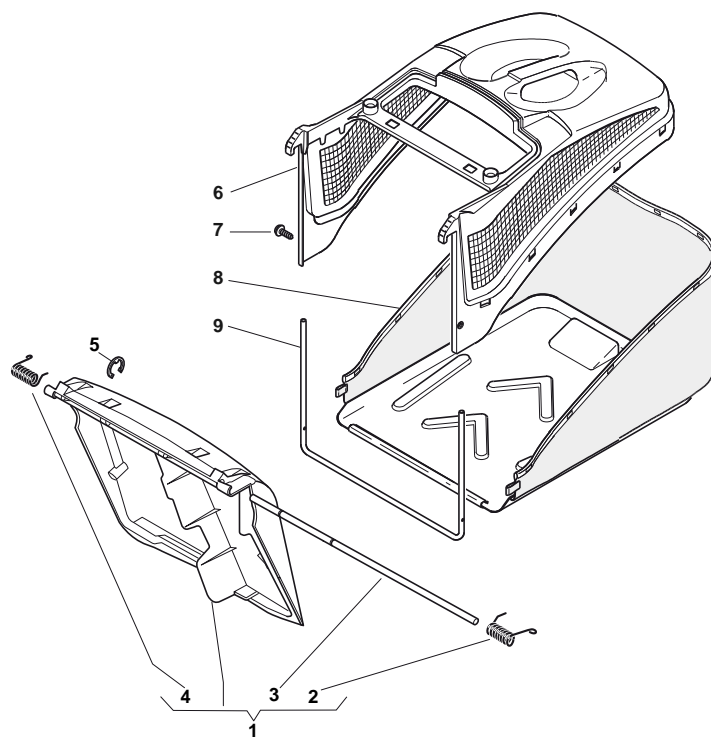
POS	PART. NO	Q.ty	DESCRIPTION	DESCRIZIONE	DESCRIPTION	BESCHREIBUNG	REMARKS
1	1127287100/0	1	Screw	Vite	Vis	Schraube	
2	181000616/1	1	Cover	Capottina	Capot	Haube	
3	122055058/0	1	Cover	Capottina	Capot	Haube	
4	122055045/1	1	Cover	Capottina	Capot	Haube	
5	122055033/1	1	Cover	Capottina	Capot	Haube	
6	322055053/1	1	Cover	Capottina	Capot	Haube	



POS	PART. NO	Q.ty	DESCRIPTION	DESCRIZIONE	DESCRIPTION	BESCHREIBUNG	REMARKS
2	112728710/0	4	Screw	Vite	Vis	Schraube	
3	322785210/0	1	Support, Cover	Supporto Capottina	Support Capot	Halter, Haube	
4	118563605/0	1	Motor ATB	Motore ATB	Moteur ATB	Motor ATB	1600 W
4	118563640/0	1	Motor ATB	Motore ATB	Moteur ATB	Motor ATB	1800 W
6	118222039/0	1	Condenser 25 µf	Condensatore 25 µf	Condenseur 25 µf	Kondensator 25 µf	1800 W
6	118222045/0	1	Condenser 16 µf	Condensatore 16 µf	Condenseur 16 µf	Kondensator 16 µf	1600 W
7	112735410/0	4	Screw	Vite	Vis	Schraube	
8	112583500/0	4	Grower	Grower	Grower	Federring	
9	112293200/0	4	Nut	Dado	Ecrou	Mutter	
10	322207211/4	1	Flange	Flangia	Bride	Flansch	
10	322207216/0	1	Flange	Flangia	Bride	Flansch	
11	322720360/2	1	Fan	Ventola	Ventilateur	Lüfter	
12	112793701/0	4	Ventilation Screen	Schermo	Ecran Ventilation	Lüftungsschirm	
13	112139440/0	1	Screw	Vite	Vis	Schraube	
14	112728680/0	2	Feather	Linguetta	Clavette	Keil	
15	322463186/3	1	Screw	Vite	Vis	Schraube	
16	181004341/3	1	Hub	Mozzo	Moyeu	Nabe	
16	181004346/3	1	Blade Standard	Coltello Standard	Lame Standard	Messer Standard	
16	181004397/0	1	Blade Winged	Coltello Alettato	Lame Ailetteé	Messer Flügel	
17	112583500/0	2	Grower	Grower	Grower	Federring	
18	112793102/0	2	Screw	Vite	Vis	Schraube	
19	381004352/1	1	Screw	Vite	Vis	Schraube	



POS	PART. NO	Q.ty	DESCRIPTION	DESCRIZIONE	DESCRIPTION	BESCHREIBUNG	REMARKS
1	112727791/0	1	Screw	Vite	Vis	Schraube	
2	122060195/0	1	Protection, Belt	Carter Cinghia	Protection Courroie	Schutz, Riemen	
3	322291150/0	1	Rubber Insert	Inserto In Gomma	Insert De	Gummi Einsatz	



POS	PART. NO	Q.ty	DESCRIPTION	DESCRIZIONE	DESCRIPTION	BESCHREIBUNG	REMARKS
1	381008021/2	1	Stone-Guard	Parasassi	Pare-Pierres	Prallblech	
2	122450420/1	1	L Spring	Molla Sx	Ressort G	Linke Feder	
3	122517906/1	1	Pin	Perno	Pivot	Bolzen	
4	122450410/1	1	R Spring	Molla Dx	Ressort D	Rechte Feder	
5	112000930/0	1	Snap Ring	Anello Elastico	Anneau Ressort	Sprengring	
6	122486093/0	1	Grass-Box, Upper	Sacco, Parte Sup	Sac, Partie Superieure	Korb, Oberteil	
7	112728445/0	2	Screw	Vite	Vis	Schraube	
8	181002195/0	1	Box, Fabric	Sacco, Tela	Sac, Toile	Sack, Tuck	
9	122608523/0	1	Stiffening Lower	Rinforzo Inf	Réinforcement Inf	Verstärkung Untere	