

Genuine Spare Parts

T 434

Catalogo delle parti di ricambio
Spare parts catalogue
Catalogue des pieces de rechange
Ersatzteilkatalog

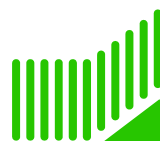
2011

- Use GLOBAL GARDEN PRODUCT Genuine Spare Parts specified in the parts list for repair and/or replacement.
- The contents described in the parts list may change due to improvement.
- The drawings of the spare parts are only indicative and might not represent the part in question exactly.
- The indications "right" - "left" - "front" - "rear" refer to the position of the operator when using the machine.
- When placing orders of parts for repair and/or replacement, make sure that the illustrated parts list is the one applying to the machine's year of manufacture, as shown on the identification plate attached to the machine.

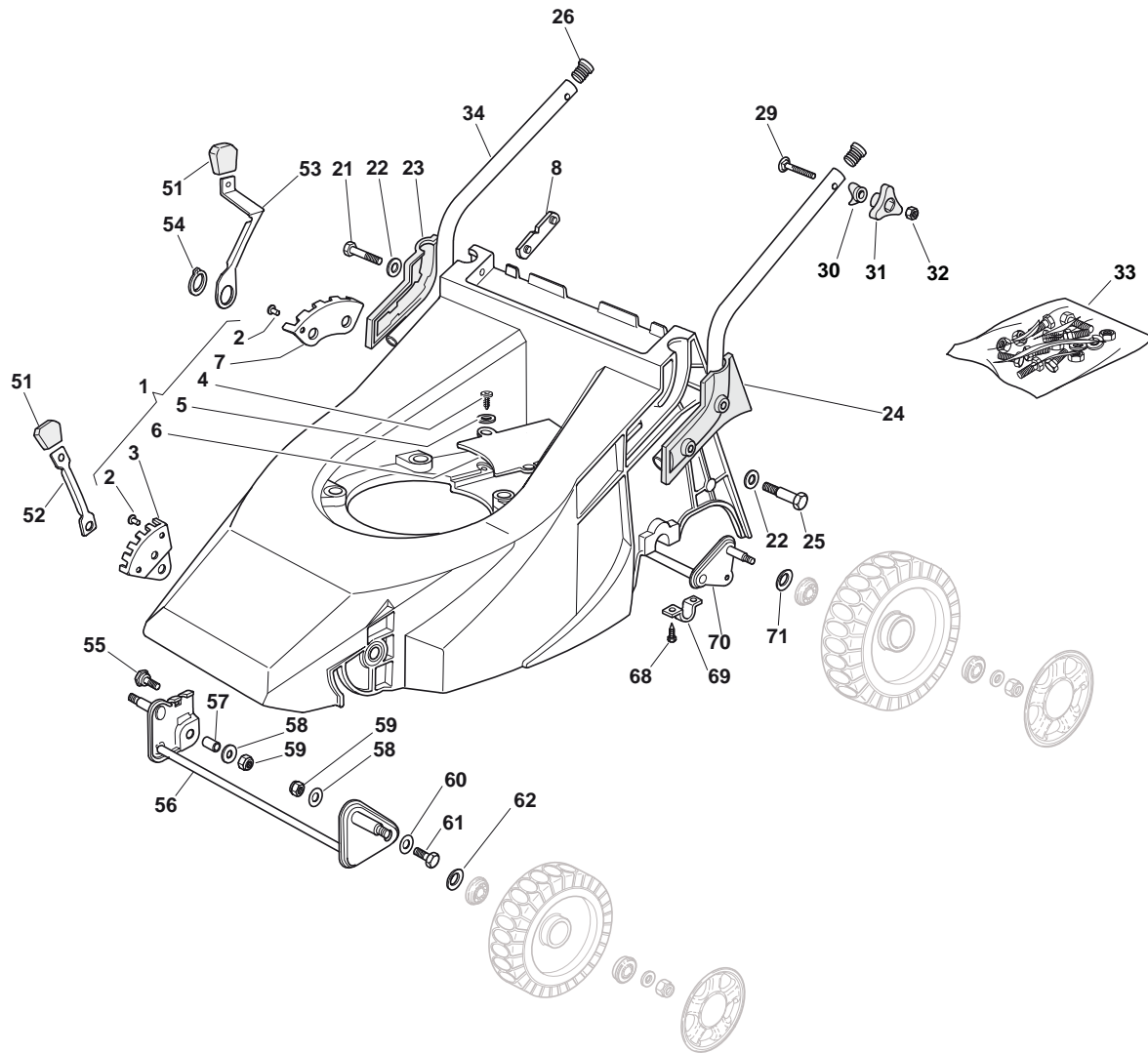
© Copyright 2011 Global Garden Products

All content is subject to copyright by Global Garden Products and may not be reproduced in whole or in part by any means, electronic or otherwise, without prior written approval.

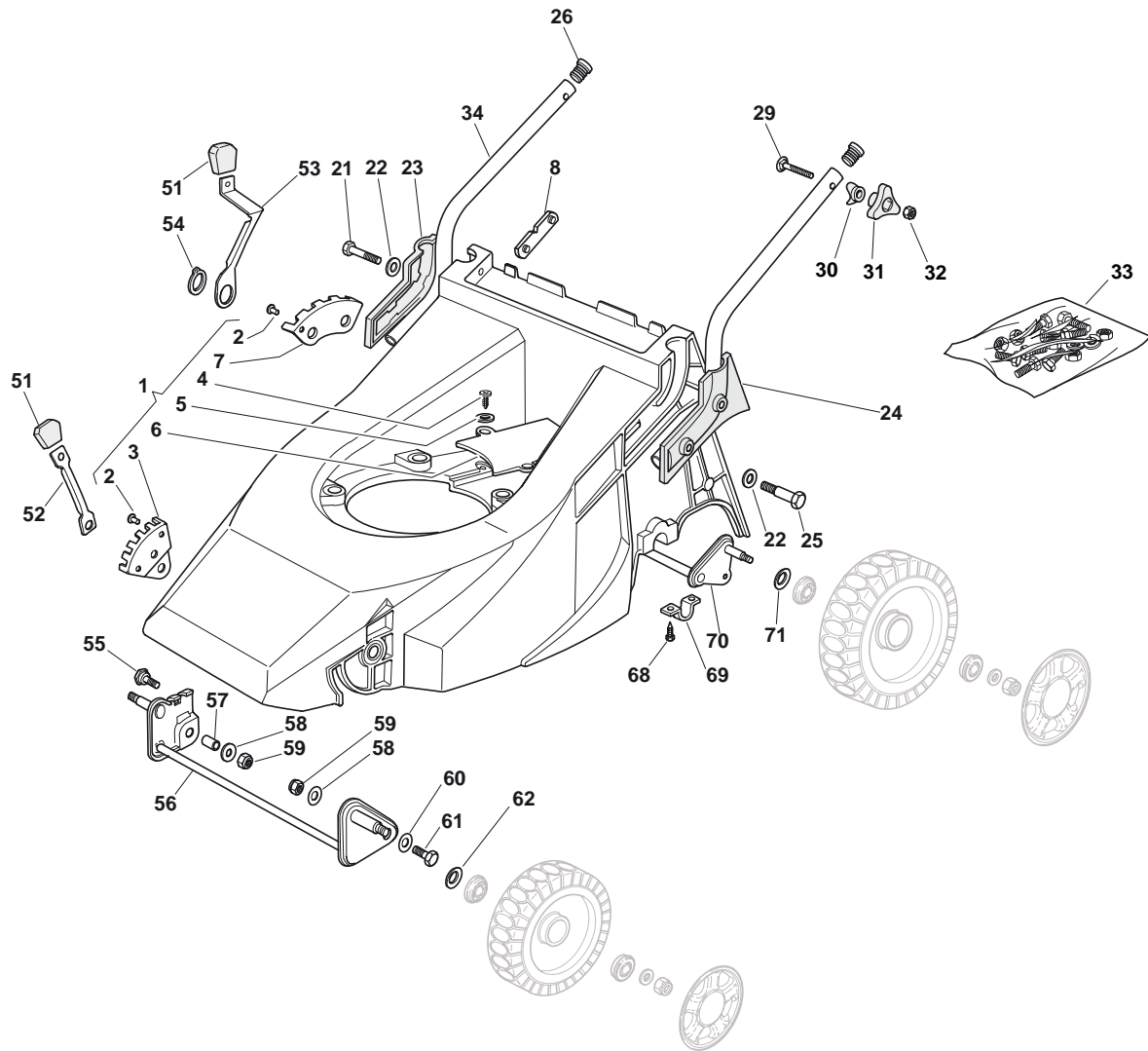
THIS INFORMATION IS NOT INTENDED FOR SALE OR RESALE, AND THIS NOTICE MUST REMAIN ON ALL COPIES.



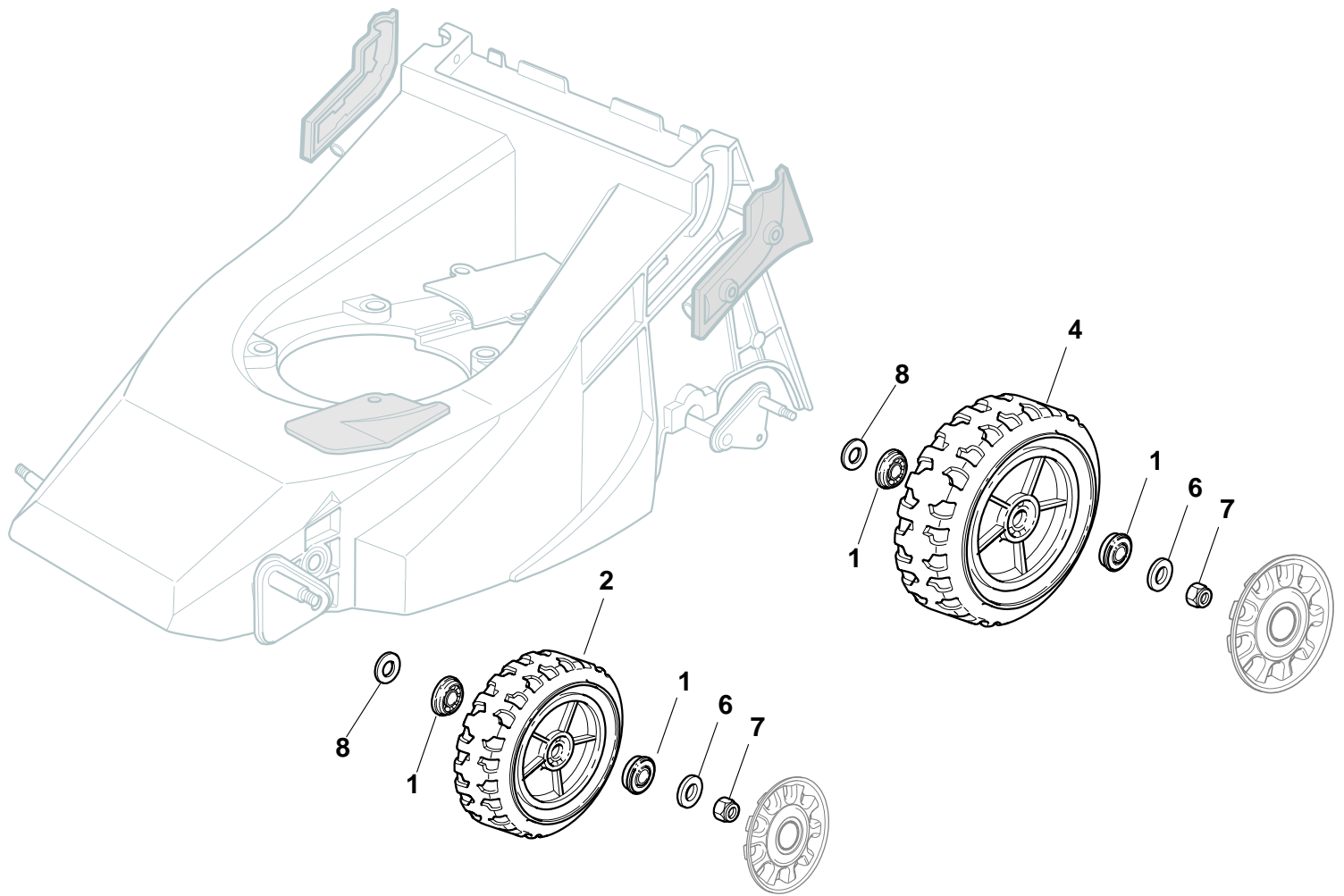
GLOBAL GARDEN PRODUCTS



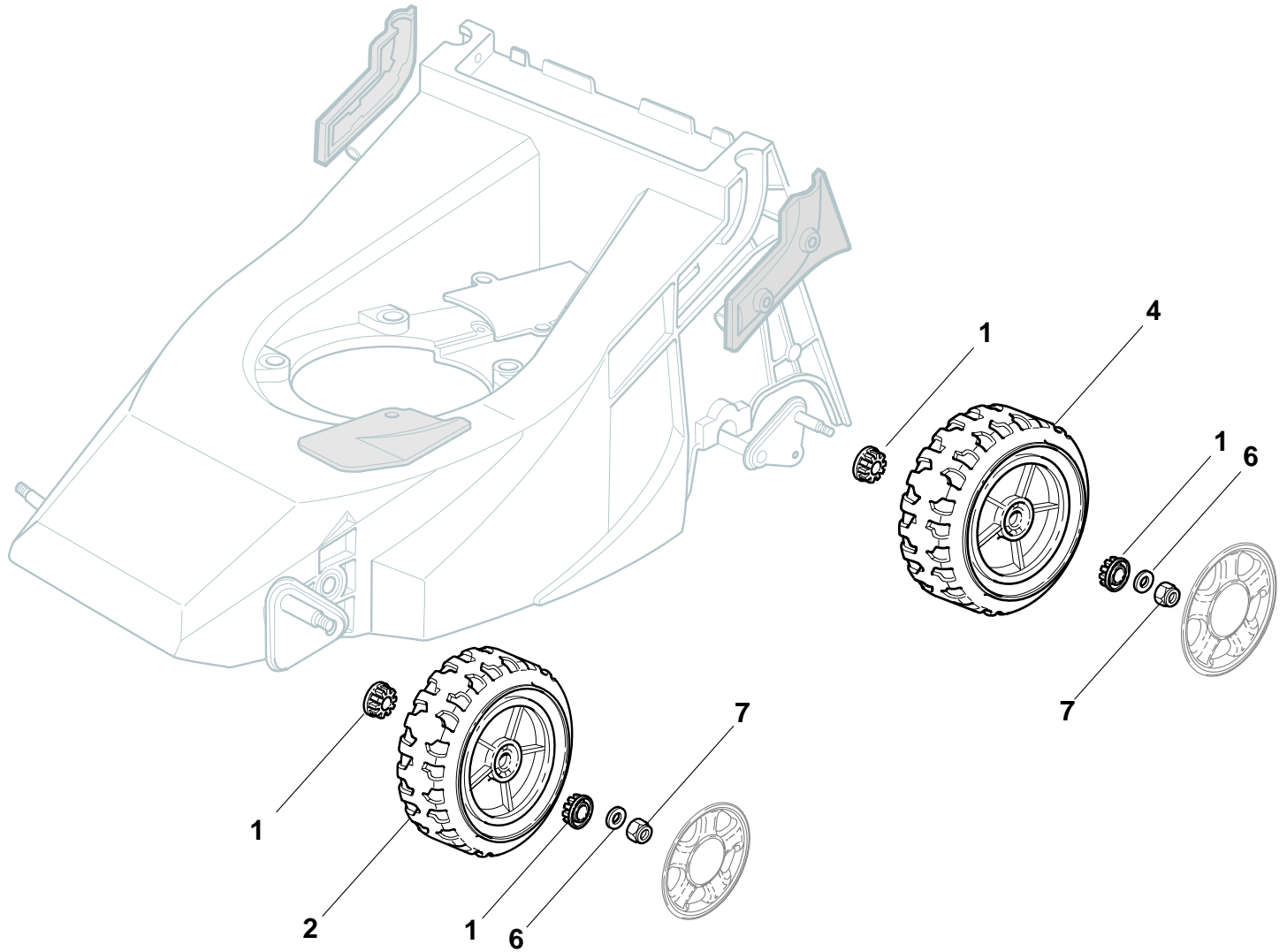
| N. | CODE | Q.TY | DESCRIZIONE | DESCRIPTION | DESCRIPTION | BESCHREIBUNG | REMARK |
|----|------------|------|-----------------------------|----------------------------|------------------------------|-------------------------|--------|
| 1 | 81001415/1 | 1 | Chassis Rosso | Deck Red | Châssis Rouge | Gehäuse Rot | |
| 2 | 12500070/0 | 3 | Rivetto | Rivet | Rivet | Niete | |
| 3 | 22735535/0 | 1 | Settore Regolazione Altezza | Sector, Height Adjustment | Secteur Reglage Hauteur | Sektor, Höheverstellung | |
| 4 | 12728680/0 | 2 | Vite | Screw | Vis | Schraube | |
| 5 | 12523020/0 | 3 | Rosetta | Washer | Rondelle | Scheibe | |
| 6 | 22060171/0 | 1 | Carter Cinghia | Protection, Belt | Protection | Schutz, Riemen | |
| 7 | 22735508/0 | 1 | Settore Regolazione Altezza | Sector, Height Adjustment | Secteur Reglage Hauteur | Sektor, Höheverstellung | |
| 8 | 22551632/1 | 2 | Piastrina Fissaggio Manico | Plate For Handle Fastening | Plaquette Fixage Mancheron | Platte Holmbefestigung | |
| 14 | 22484070/1 | 1 | Paracalore | Muffler Guard | Grille De | Schutzabdeckung | |
| 21 | 12691400/0 | 2 | Vite | Screw | Vis | Schraube | |
| 22 | 12521350/0 | 4 | Rosetta | Washer | Rondelle | Scheibe | |
| 23 | 22600042/0 | 1 | Prot. Manico Dx | Protection, R | Protection Mancheron D | Schutz, | |
| 24 | 22600043/0 | 1 | Prot. Manico Sx | Protection, L | Protection Mancheron G | Schutz, Linkerholm | |
| 25 | 12691900/0 | 2 | Vite | Screw | Vis | Schraube | |
| 26 | 18566110/0 | 2 | Puntale | Cap | Bouchon | Gummistopfen | |
| 29 | 12819120/0 | 2 | Vite | Screw | Vis | Schraube | |
| 30 | 22680006/1 | 2 | Rosetta | Washer | Rondelle | Scheibe | |
| 31 | 22399900/0 | 2 | Manopolina | Knob | Poignée | Griff | |
| 32 | 12293200/0 | 2 | Dado | Nut | Ecrou | Mutter | |
| 33 | 81008606/1 | 1 | Dotazione Viteria | Outfit, Screws | Dotation Visserie | Satz, Schrauben | |
| 34 | 81006917/0 | 2 | Manico, Parte Inf | Handle, Lower Part | Mancheron, Partie Inferieure | Holm, Unterteil | |
| 51 | 22400000/1 | 2 | Manopolina | Knob | Poignée | Griff | |
| 52 | 22321502/1 | 1 | Leva Regolazione Altezza | Lever, Height Adjustment | Levier, Reglage Hauteur | Hebel, Höheverstellung | |
| 53 | 22321497/0 | 1 | Leva Regolazione Altezza | Lever, Height Adjustment | Levier, Reglage Hauteur | Hebel, Höheverstellung | |
| 54 | 12609260/0 | 1 | Anello Arresto | Ring | Anneau De Tenuue | Ring | |
| 55 | 22519510/0 | 1 | Perno | Pin | Pivot | Bolzen | |
| 56 | 81001408/0 | 1 | Asse Ruote Anteriori | Axle, Front Wheels | Axe Roues Avant | Achse, Vorderrad | |



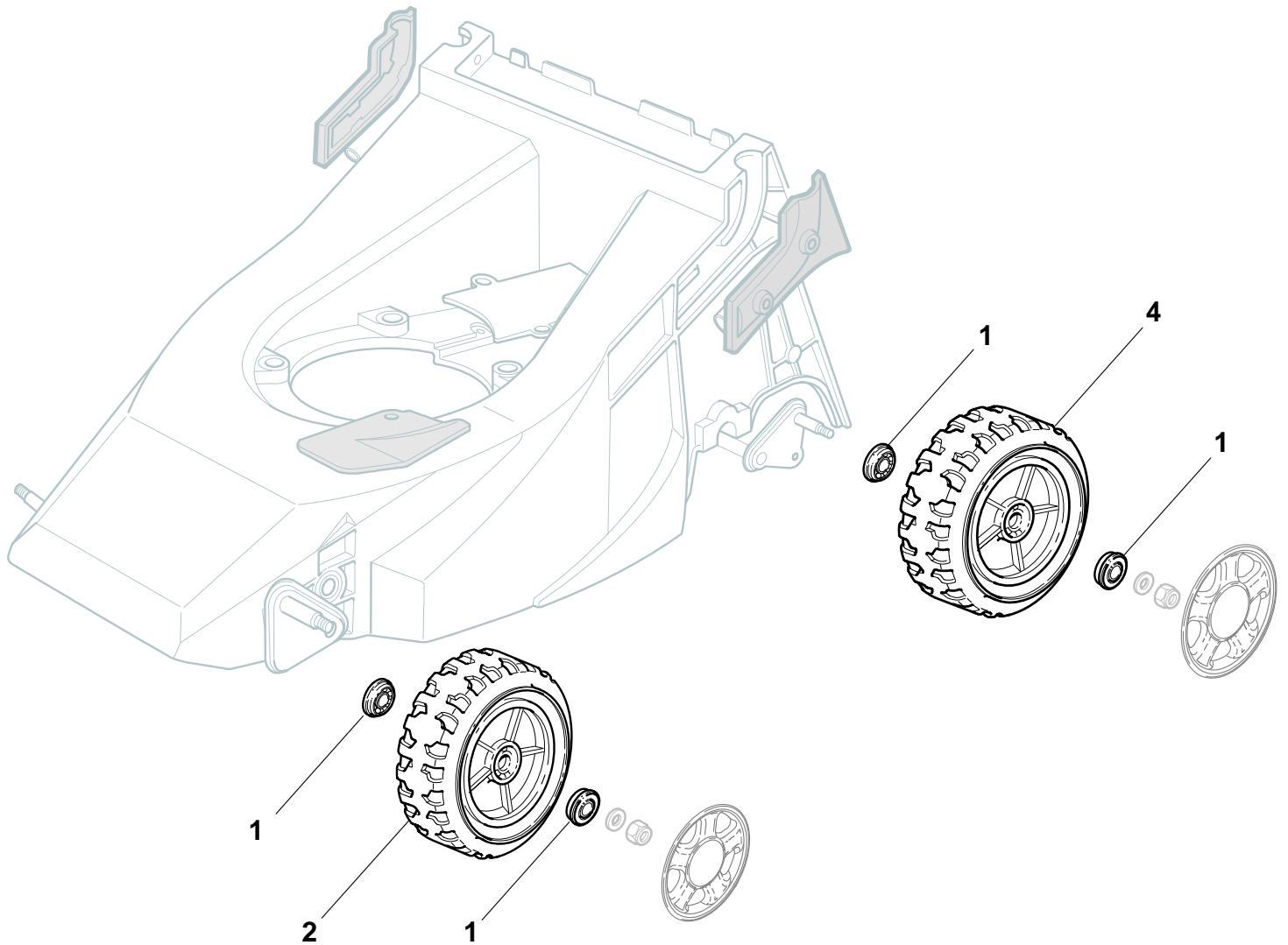
| N. CODE | Q.TY | DESCRIZIONE | DESCRIPTION | DESCRIPTION | BESCHREIBUNG | REMARK | |
|---------|------------|-------------|-----------------------|-------------------|--------------------|---------------------|--|
| 57 | 22170950/0 | 1 | Distanziale Dx | R Spacer | Entretoise D | Rechter Distanzring | |
| 58 | 12523060/0 | 2 | Rosetta | Washer | Rondelle | Scheibe | |
| 59 | 12155000/0 | 2 | Dado | Nut | Ecrou | Mutter | |
| 60 | 12521350/0 | 2 | Rosetta | Washer | Rondelle | Scheibe | |
| 61 | 22519515/0 | 1 | Perno | Pin | Pivot | Bolzen | |
| 62 | 12530150/0 | 2 | Rosetta Elastica | Elastic Washer | Rondelle Elastique | Elastische Scheibe | |
| 68 | 12735402/0 | 4 | Vite | Screw | Vis | Schraube | |
| 69 | 22545154/0 | 2 | Piastrina | Plate | Plaquette | Platte | |
| 70 | 81000151/0 | 1 | Asse Ruote Posteriori | Axle, Rear Wheels | Axe Roues Arriere | Achse, Hinterrad | |
| 71 | 12530150/0 | 2 | Rosetta Elastica | Elastic Washer | Rondelle Elastique | Elastische Scheibe | |



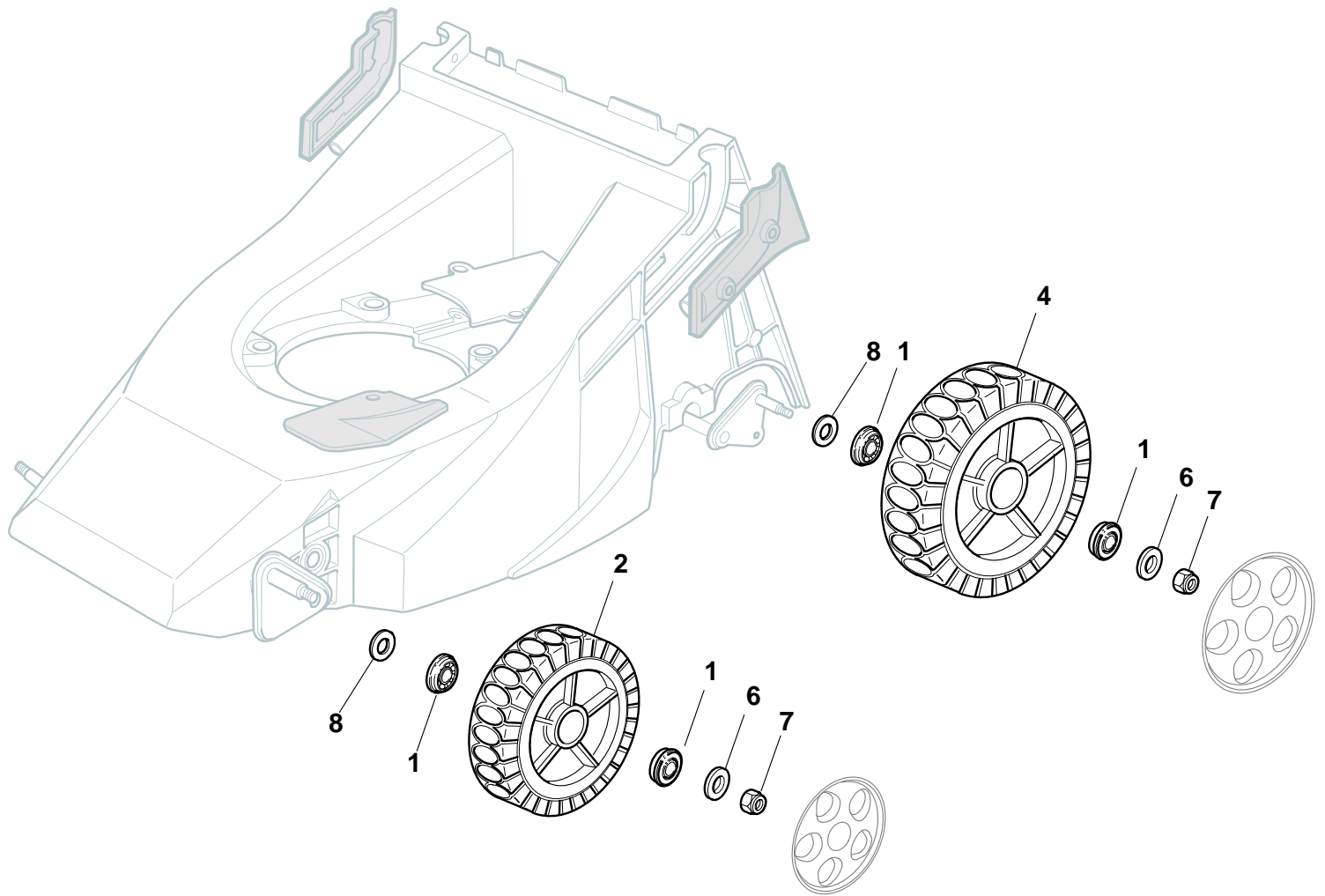
| N. | CODE | Q.TY | DESCRIZIONE | DESCRIPTION | DESCRIPTION | BESCHREIBUNG | REMARK |
|----|-------------|------|------------------|----------------|--------------------|--------------------|--------|
| 1 | 22122200/0 | 8 | Cuscinetto | Bearing | Coussinet | Lager | |
| 2 | 381007420/1 | 2 | Ruota Ø 170 | Wheel Ø 170 | Roue Ø 170 | Rad Ø 170 | |
| 4 | 381007390/1 | 2 | Ruota Ø 210 | Wheel Ø 210 | Roue Ø 210 | Rad. Ø 210 | |
| 6 | 12523060/0 | 4 | Rosetta | Washer | Rondelle | Scheibe | |
| 7 | 12155000/0 | 4 | Dado | Nut | Ecrou | Mutter | |
| 8 | 12530150/0 | 4 | Rosetta Elastica | Elastic Washer | Rondelle Elastique | Elastische Scheibe | |



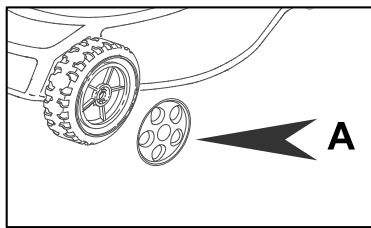
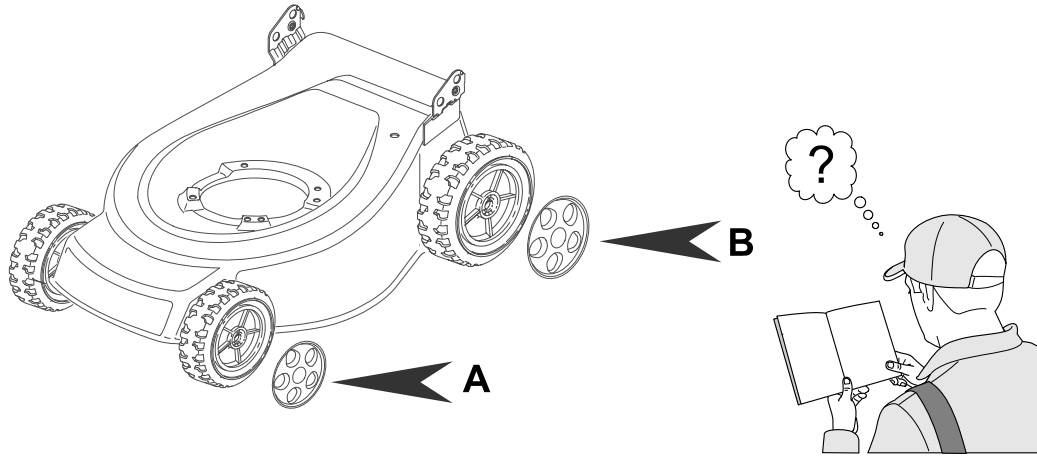
| N. | CODE | Q.TY | DESCRIZIONE | DESCRIPTION | DESCRIPTION | BESCHREIBUNG | REMARK |
|----|-------------|------|-------------------|-------------|-------------|--------------|--------|
| 1 | 22034508/0 | 8 | Bussola | Bush | Douille | Buchse | |
| 2 | 381007351/0 | 2 | Ruota Stiga Ø 170 | Wheel Ø 170 | Roue Ø 170 | Rad Ø 170 | |
| 4 | 181007343/0 | 2 | Ruota Stiga Ø 210 | Wheel Ø 210 | Roue Ø 210 | Rad Ø 210 | |
| 6 | 12523060/0 | 4 | Rosetta | Washer | Rondelle | Scheibe | |
| 7 | 12155000/0 | 4 | Dado | Nut | Ecrou | Mutter | |



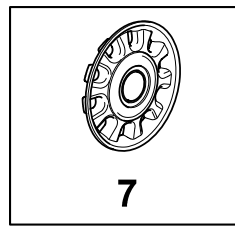
| N. | CODE | Q.TY | DESCRIZIONE | DESCRIPTION | DESCRIPTION | BESCHREIBUNG | REMARK |
|----|-------------|------|-------------------|-------------|-------------|--------------|--------|
| 1 | 22122200/0 | 4 | Cuscinetto | Bearing | Coussinet | Lager | |
| 2 | 381007351/0 | 2 | Ruota Stiga Ø 170 | Wheel Ø 170 | Roue Ø 170 | Rad Ø 170 | |
| 4 | 22122200/0 | 4 | Cuscinetto | Bearing | Coussinet | Lager | |
| 5 | 181007343/0 | 2 | Ruota Stiga Ø 210 | Wheel Ø 210 | Roue Ø 210 | Rad Ø 210 | |



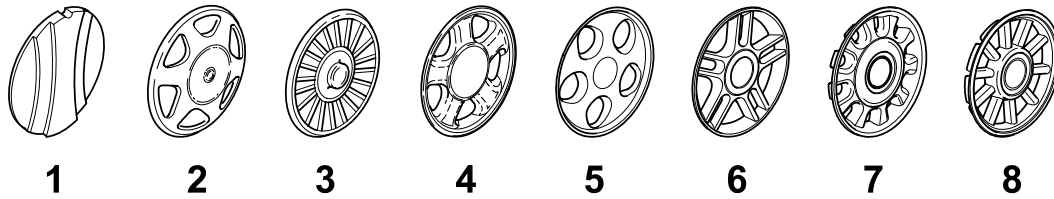
| N. | CODE | Q.TY | DESCRIZIONE | DESCRIPTION | DESCRIPTION | BESCHREIBUNG | REMARK |
|----|------------|------|----------------------|---------------------|---------------------|-------------------------|--------|
| 1 | 22122200/0 | 8 | Cuscinetto | Bearing | Coussinet | Lager | |
| 2 | 81007336/0 | 2 | Ruota Scolpita Ø 170 | Wheel, Knobby Ø 170 | Roue Sculptee Ø 170 | Rad M. Stollenpr. Ø 170 | |
| 4 | 81007337/0 | 2 | Ruota Scolpita Ø 210 | Wheel, Knobby Ø 210 | Roue Sculptee Ø 210 | Rad M. Stollenpr. Ø 210 | |
| 6 | 12523060/0 | 4 | Rosetta | Washer | Rondelle | Scheibe | |
| 7 | 12155000/0 | 4 | Dado | Nut | Ecrou | Mutter | |
| 8 | 12530150/0 | 4 | Rosetta Elastica | Elastic Washer | Rondelle Elastique | Elastische Scheibe | |



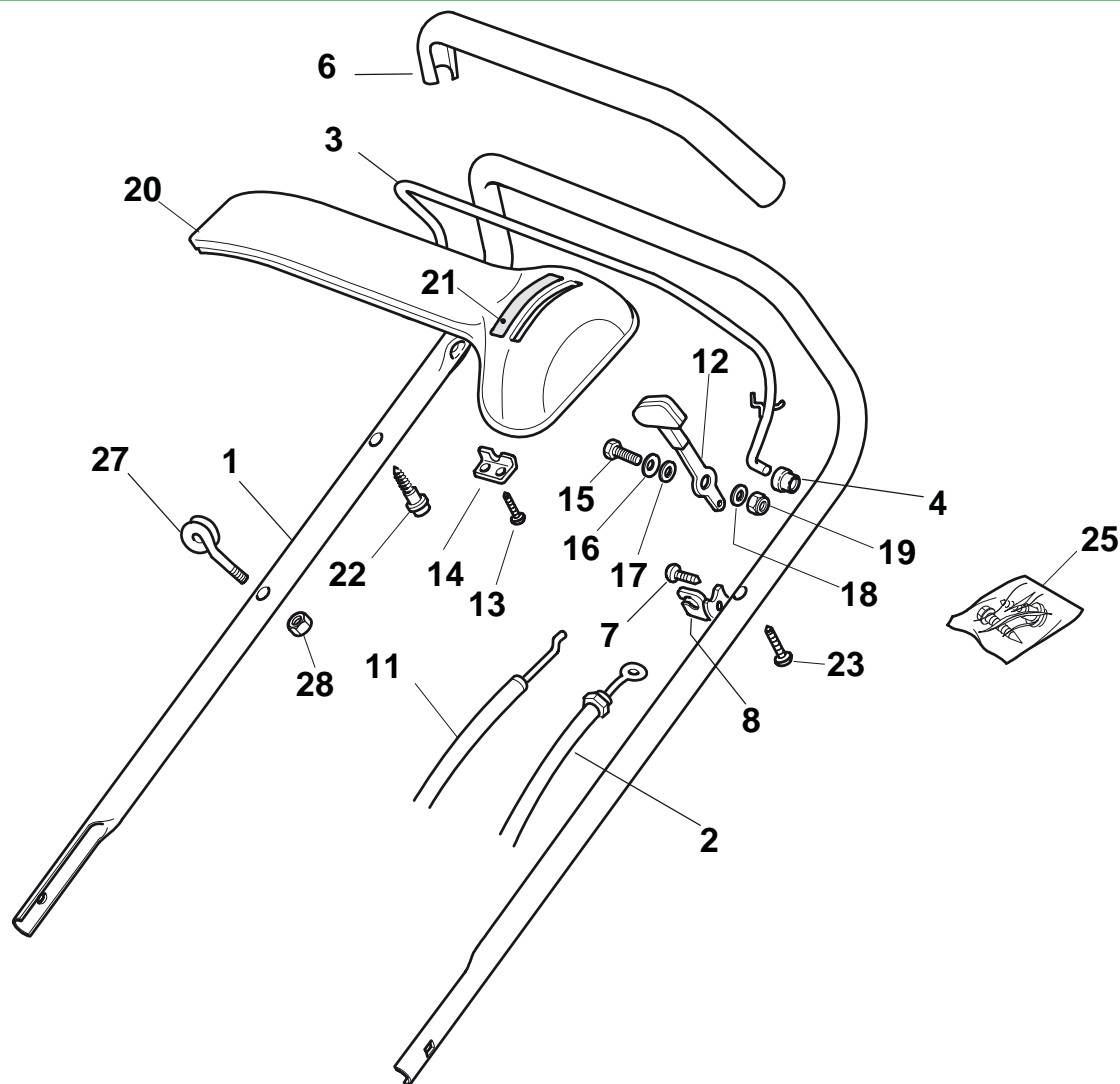
+



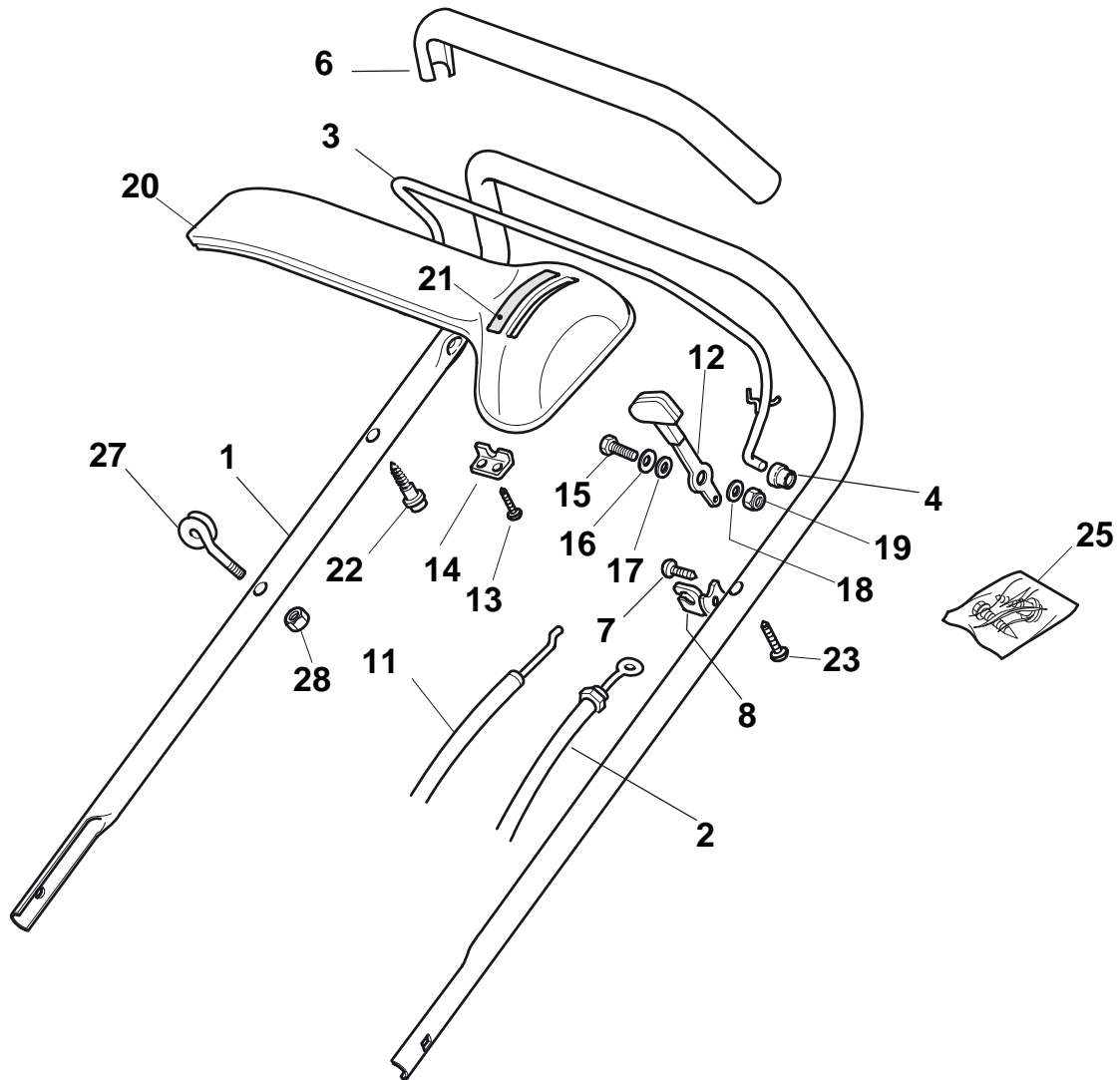
= A7



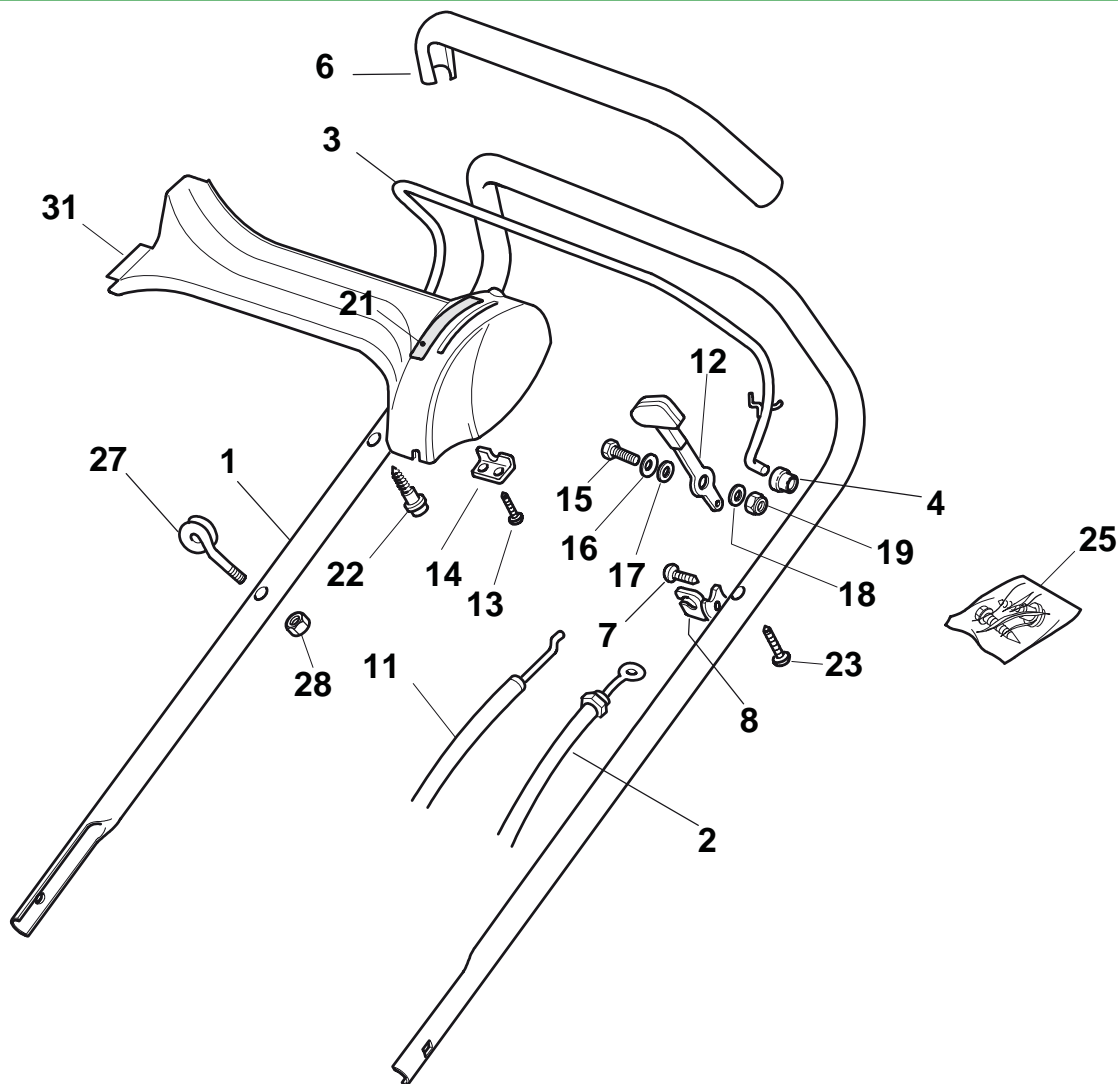
| N. CODE | Q.TY | DESCRIZIONE | DESCRIPTION | DESCRIPTION | BESCHREIBUNG | REMARK | |
|---------|------------|-------------|-----------------|----------------|-------------------|----------------|--|
| B1 | 22110251/0 | 2 | Coprizzo Bianco | Hub Cap White | Couvre-Moyeu | Radkappe Weiße | |
| A1 | 22110252/1 | 2 | Coprizzo Bianco | Hub Cap White | Couvre-Moyeu | Radkappe Weiße | |
| B1 | 22110253/0 | 2 | Coprizzo Giallo | Hub Cap Yellow | Couvre-Moyeu | Radkappe Gelbe | |
| A1 | 22110254/1 | 2 | Coprizzo Giallo | Hub Cap Yellow | Couvre-Moyeu | Radkappe Gelbe | |
| A1 | 22110255/1 | 2 | Coprizzo Rosso | Hub Cap Red | Couvre-Moyeu | Radkappe Rote | |
| B1 | 22110256/0 | 2 | Coprizzo Rosso | Hub Cap Red | Couvre-Moyeu | Radkappe Rote | |
| A1 | 22110381/0 | 2 | Coprizzo Grigio | Hub Cap Grey | Couvre-Moyeu Gris | Radkappe Grau | |
| B1 | 22110382/0 | 2 | Coprizzo Grigio | Hub Cap Grey | Couvre-Moyeu Gris | Radkappe Grau | |
| B2 | 22110313/0 | 2 | Coprizzo Bianco | Hub Cap White | Couvre-Moyeu | Radkappe Weiße | |
| B2 | 22110314/0 | 2 | Coprizzo Grigio | Hub Cap Grey | Couvre-Moyeu Gris | Radkappe Grau | |
| A2 | 22110344/0 | 2 | Coprizzo Bianco | Hub Cap White | Couvre-Moyeu | Radkappe Weiße | |
| A2 | 22110395/0 | 2 | Coprizzo Grigio | Hub Cap Grey | Couvre-Moyeu Gris | Radkappe Grau | |
| A3 | 22110347/0 | 2 | Coprizzo Grigio | Hub Cap Grey | Couvre-Moyeu Gris | Radkappe Grau | |
| B3 | 22110348/0 | 2 | Coprizzo Grigio | Hub Cap Grey | Couvre-Moyeu Gris | Radkappe Grau | |
| A4 | 22110381/0 | 2 | Coprizzo Grigio | Hub Cap Grey | Couvre-Moyeu Gris | Radkappe Grau | |
| B4 | 22110382/0 | 2 | Coprizzo Grigio | Hub Cap Grey | Couvre-Moyeu Gris | Radkappe Grau | |
| A5 | 22110416/0 | 2 | Coprizzo Grigio | Hub Cap Grey | Couvre-Moyeu Gris | Radkappe Grau | |
| B5 | 22110417/0 | 2 | Coprizzo Grigio | Hub Cap Grey | Couvre-Moyeu Gris | Radkappe Grau | |
| A6 | 22110491/0 | 2 | Coprizzo Grigio | Hub Cap Grey | Couvre-Moyeu Gris | Radkappe Grau | |
| B6 | 22110492/0 | 2 | Coprizzo Grigio | Hub Cap Grey | Couvre-Moyeu Gris | Radkappe Grau | |
| A7 | 22110493/0 | 2 | Coprizzo Grigio | Hub Cap Grey | Couvre-Moyeu Gris | Radkappe Grau | |
| B7 | 22110494/0 | 2 | Coprizzo Grigio | Hub Cap Grey | Couvre-Moyeu Gris | Radkappe Grau | |
| A8 | 22110495/0 | 2 | Coprizzo Grigio | Hub Cap Grey | Couvre-Moyeu Gris | Radkappe Grau | |
| B8 | 22110496/0 | 2 | Coprizzo Grigio | Hub Cap Grey | Couvre-Moyeu Gris | Radkappe Grau | |



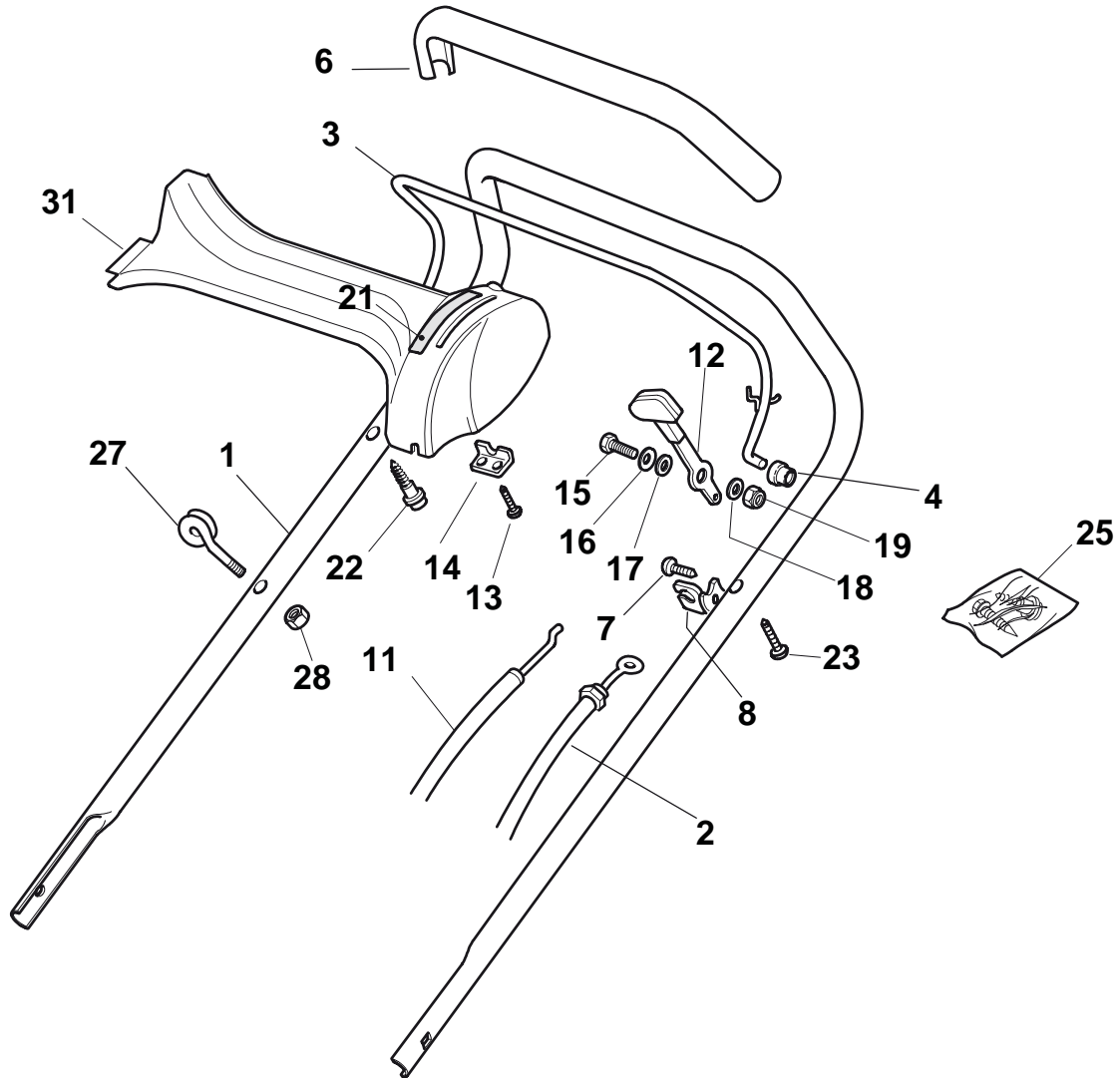
| N. | CODE | Q.TY | DESCRIZIONE | DESCRIPTION | DESCRIPTION | BESCHREIBUNG | REMARK |
|----|-------------|------|-------------------------|----------------------------|------------------------------|---------------------|---|
| 1 | 81006855/0 | 1 | Manico, Parte Sup | Handle, Upper Part | Mancheron, Partie Superieure | Holm, Oberteil | |
| 2 | 81000615/0 | 1 | Cavo Freno Motore | Cable, Thread Engine Brake | Cable Frein Moteur | Kabel, Motorbremse | (Ggp 150 cc) |
| 2 | 81000621/1 | 1 | Cavo Freno Motore | Cable, Thread Engine Brake | Cable Frein Moteur | Kabel, Motorbremse | (B&S 450-500 Series) |
| 2 | 81000633/0 | 1 | Cavo Freno Motore | Cable, Thread Engine Brake | Cable Frein Moteur | Kabel, Motorbremse | (B&S 675 Series) |
| 2 | 81000633/0 | 1 | Cavo Freno Motore | Cable, Thread Engine Brake | Cable Frein Moteur | Kabel, Motorbremse | (Ggp 140 cc) |
| 2 | 81000633/0 | 1 | Cavo Freno Motore | Cable, Thread Engine Brake | Cable Frein Moteur | Kabel, Motorbremse | (Ggp 160 cc) |
| 2 | 81000633/0 | 1 | Cavo Freno Motore | Cable, Thread Engine Brake | Cable Frein Moteur | Kabel, Motorbremse | (B&S 625 Series) |
| 2 | 81000639/0 | 1 | Cavo Freno Motore | Cable, Thread Engine Brake | Cable Frein Moteur | Kabel, Motorbremse | (Honda Gcv 135-160) 484 |
| 3 | 81003291/3 | 1 | Leva Freno Motore | Lever, Engine Brake | Levier Frein Moteur | Hebel, Motorbremse | |
| 4 | 22041966/0 | 2 | Bussola | Bush | Douille | Buchse | |
| 6 | 22291050/0 | 1 | Impugnatura Manico Nera | Handgrip Black | Poignée Noire | Handgriff Schwarz | |
| 7 | 12728518/0 | 1 | Vite | Screw | Vis | Schraube | |
| 8 | 22806612/0 | 1 | Supporto | Support | Support | Halter | |
| 11 | 81007160/0 | 1 | Cavo Acceleratore | Throttle Cable | Cable, Accelérateur | Gashebel Kabel | |
| 12 | 114357646/1 | 1 | Etichetta | Label | Etiquette | Etikette | (Honda 160-190 Autochoke) |
| 12 | 81007221/0 | 1 | Leva, Acceleratore | Lever, Throttle | Levier, | Hebel, Beshleuniger | (B&S 450-500 Series - Ggp 150 cc) |
| 12 | 81007280/2 | 1 | Leva, Acceleratore | Lever, Throttle | Levier, | Hebel, Beshleuniger | (B&S 625-675-700 Series - Honda - Ggp 140-160-196 cc) |
| 13 | 12735105/0 | 2 | Vite | Screw | Vis | Schraube | |
| 14 | 22981467/0 | 1 | Piastrina | Plate | Plaquette | Platte | |
| 15 | 12791500/0 | 1 | Vite | Screw | Vis | Schraube | |
| 16 | 12530060/0 | 1 | Rosetta Elastica | Elastic Washer | Rondelle Elastique | Elastische Scheibe | |
| 18 | 12523040/0 | 2 | Rosetta | Washer | Rondelle | Scheibe | |
| 19 | 12154510/0 | 1 | Dado | Nut | Ecrou | Mutter | |
| 20 | 22120152/0 | 1 | Cruscotto Giallo | Dash Board Yellow | Console Jaune | Konsole Gelbe | |
| 20 | 22120154/0 | 1 | Cruscotto Rosso | Dash Board Red | Console Rouge | Konsole Rote | |
| 20 | 22120158/0 | 1 | Cruscotto Nero | Dash Board Black | Console Noire | Konsole Schwarze | |
| 21 | 114356743/1 | 1 | Etichetta | Label | Etiquette | Etikette | (GGP) |



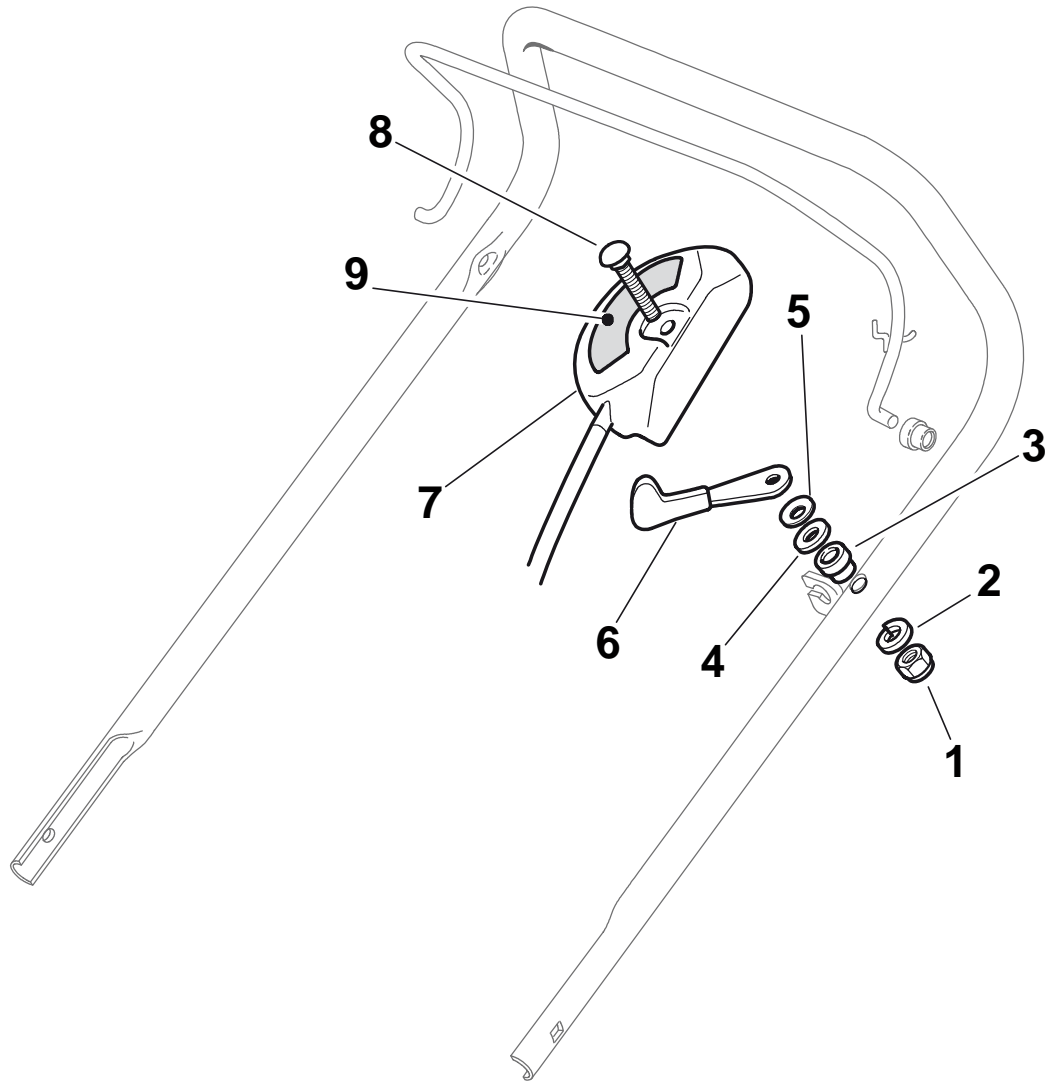
| N. CODE | Q.TY | DESCRIZIONE | DESCRIPTION | DESCRIPTION | BESCHREIBUNG | REMARK | |
|---------|-------------|-------------|-----------------------------|---------------------------|----------------------------|-------------------------|----------------------|
| 21 | 114356743/1 | 1 | Etichetta | Label | Etiquette | Etikette | (Honda) |
| 21 | 114356744/1 | 1 | Etichetta | Label | Etiquette | Etikette | (B&S) |
| 21 | 114356906/1 | 1 | Etichetta | Label | Etiquette | Etikette | (B&S 700 series DOV) |
| 22 | 22943006/0 | 1 | Vite | Screw | Vis | Schraube | |
| 23 | 12728460/0 | 1 | Vite | Screw | Vis | Schraube | |
| 25 | 81008609/0 | 1 | Dotazione Viteria Cruscotto | Outfit, Dash-Board Screws | Dotation Visserie Consolle | Satz, Konsole Schrauben | |
| 27 | 22430309/0 | 1 | Molla Guida | Guide Spring | Ressort De Guide | Feder Führer | |
| 28 | 12154330/0 | 1 | Dado | Nut | Ecrou | Mutter | |



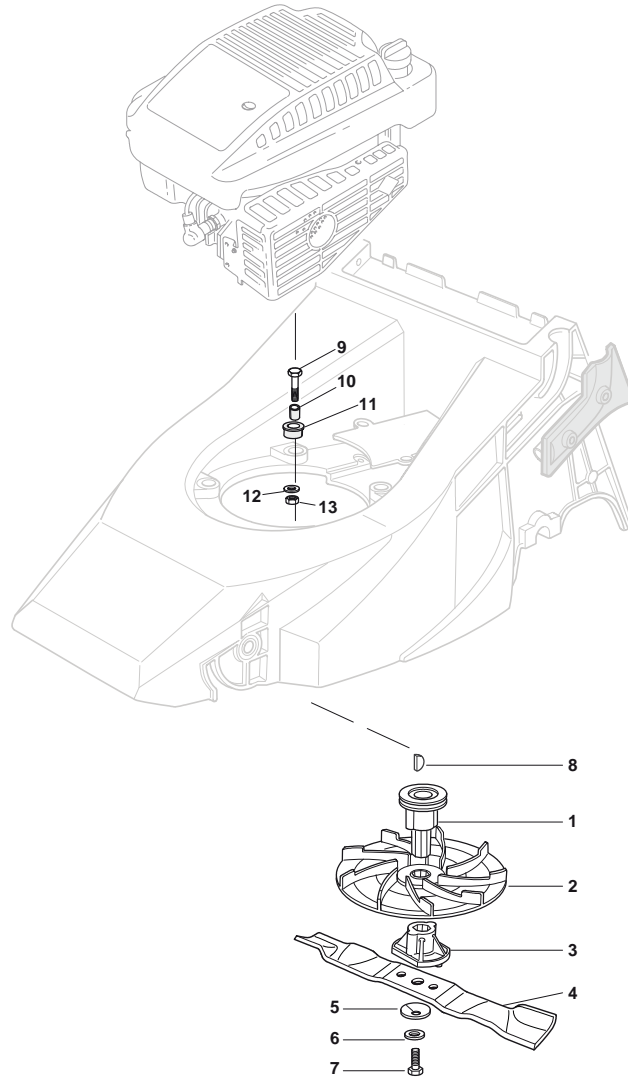
| N. | CODE | Q.TY | DESCRIZIONE | DESCRIPTION | DESCRIPTION | BESCHREIBUNG | REMARK |
|----|-------------|------|-------------------------|----------------------------|------------------------------|---------------------|---|
| 1 | 81006855/0 | 1 | Manico, Parte Sup | Handle, Upper Part | Mancheron, Partie Superieure | Holm, Oberteil | |
| 2 | 81000615/0 | 1 | Cavo Freno Motore | Cable, Thread Engine Brake | Cable Frein Moteur | Kabel, Motorbremse | (Ggp 150 cc) |
| 2 | 81000621/1 | 1 | Cavo Freno Motore | Cable, Thread Engine Brake | Cable Frein Moteur | Kabel, Motorbremse | (B&S 450-500 Series) |
| 2 | 81000633/0 | 1 | Cavo Freno Motore | Cable, Thread Engine Brake | Cable Frein Moteur | Kabel, Motorbremse | (Ggp 140 cc) |
| 2 | 81000633/0 | 1 | Cavo Freno Motore | Cable, Thread Engine Brake | Cable Frein Moteur | Kabel, Motorbremse | (B&S 675 Series) |
| 2 | 81000633/0 | 1 | Cavo Freno Motore | Cable, Thread Engine Brake | Cable Frein Moteur | Kabel, Motorbremse | (Ggp 160 cc) |
| 2 | 81000633/0 | 1 | Cavo Freno Motore | Cable, Thread Engine Brake | Cable Frein Moteur | Kabel, Motorbremse | (B&S 625 Series) |
| 2 | 81000639/0 | 1 | Cavo Freno Motore | Cable, Thread Engine Brake | Cable Frein Moteur | Kabel, Motorbremse | 484 (Honda Gcv 135-160) |
| 3 | 81003291/3 | 1 | Leva Freno Motore | Lever, Engine Brake | Levier Frein Moteur | Hebel, Motorbremse | |
| 4 | 22041966/0 | 2 | Bussola | Bush | Douille | Buchse | |
| 6 | 22291050/0 | 1 | Impugnatura Manico Nera | Handgrip Black | Poignée Noire | Handgriff Schwarz | |
| 7 | 12728518/0 | 1 | Vite | Screw | Vis | Schraube | |
| 8 | 22806612/0 | 1 | Supporto | Support | Support | Halter | |
| 11 | 81007160/0 | 1 | Cavo Acceleratore | Throttle Cable | Cable, Accelérateur | Gashebel Kabel | |
| 12 | 114357646/1 | 1 | Etichetta | Label | Etiquette | Etikette | (Honda 160-190 Autochoke) |
| 12 | 81007221/0 | 1 | Leva, Acceleratore | Lever, Throttle | Levier, | Hebel, Beshleuniger | (B&S 450-500 Series - Ggp 150 cc) |
| 12 | 81007280/2 | 1 | Leva, Acceleratore | Lever, Throttle | Levier, | Hebel, Beshleuniger | (B&S 625-675-700 Series - Honda - Ggp 140-160-196 cc) |
| 13 | 12735105/0 | 2 | Vite | Screw | Vis | Schraube | |
| 14 | 22981467/0 | 1 | Piastrina | Plate | Plaquette | Platte | |
| 15 | 12791500/0 | 1 | Vite | Screw | Vis | Schraube | |
| 16 | 12530060/0 | 1 | Rosetta Elastica | Elastic Washer | Rondelle Elastique | Elastische Scheibe | |
| 18 | 12523040/0 | 2 | Rosetta | Washer | Rondelle | Scheibe | |
| 19 | 12154510/0 | 1 | Dado | Nut | Ecrou | Mutter | |
| 21 | 114356743/1 | 1 | Etichetta | Label | Etiquette | Etikette | (Honda) |
| 21 | 114356743/1 | 1 | Etichetta | Label | Etiquette | Etikette | (GGP) |
| 21 | 114356744/1 | 1 | Etichetta | Label | Etiquette | Etikette | (B&S) |
| 21 | 114356906/1 | 1 | Etichetta | Label | Etiquette | Etikette | (B&S 700 series DOV) |



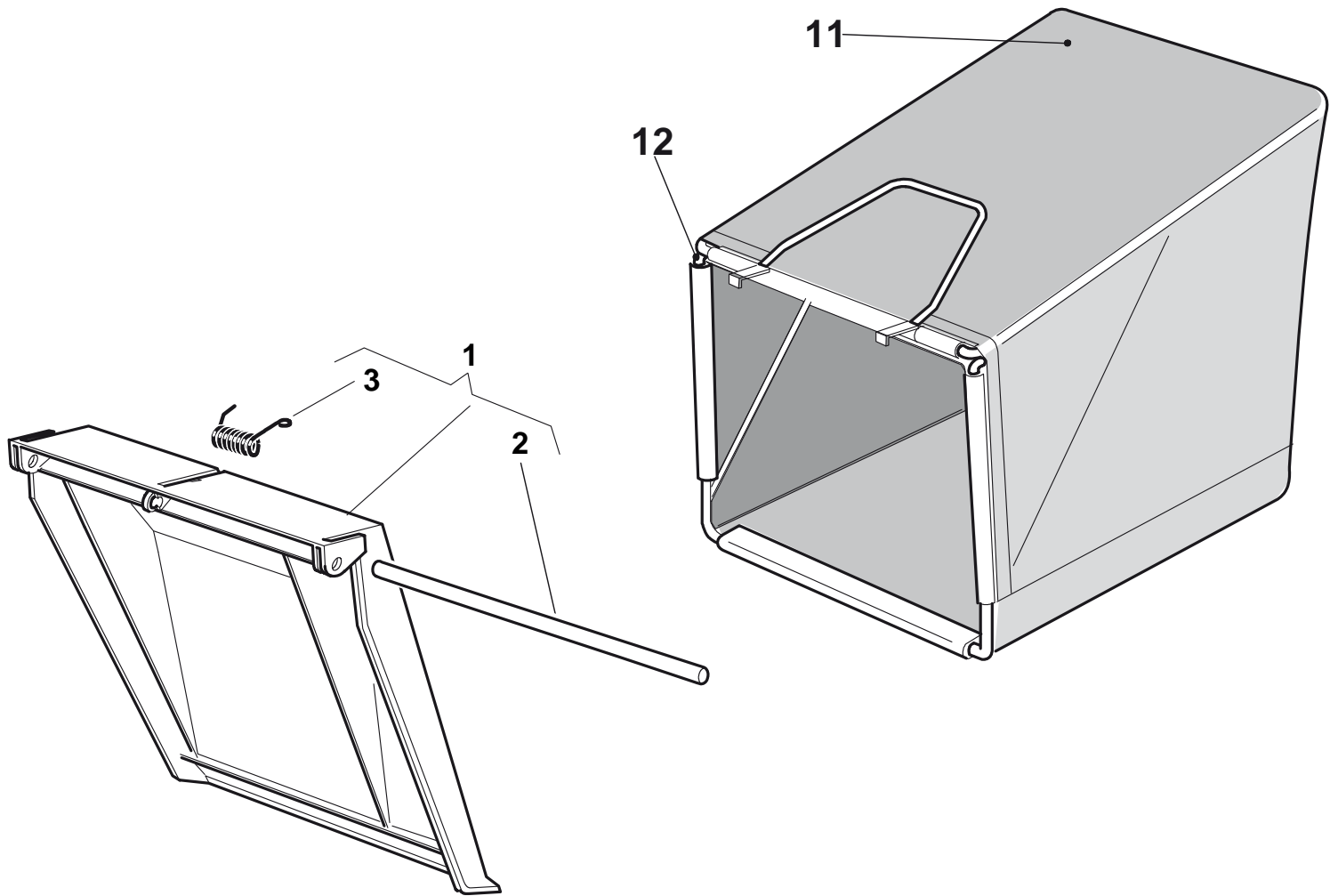
| N. CODE | Q.TY | DESCRIZIONE | DESCRIPTION | DESCRIPTION | BESCHREIBUNG | REMARK | |
|---------|------------|-------------|-----------------------------|---------------------------|----------------------------|-------------------------|--|
| 22 | 22943006/0 | 1 | Vite | Screw | Vis | Schraube | |
| 23 | 12728460/0 | 1 | Vite | Screw | Vis | Schraube | |
| 25 | 81008609/0 | 1 | Dotazione Viteria Cruscotto | Outfit, Dash-Board Screws | Dotation Visserie Consolle | Satz, Konsole Schrauben | |
| 27 | 22430309/0 | 1 | Molla Guida | Guide Spring | Ressort De Guide | Feder Führer | |
| 28 | 12154330/0 | 1 | Dado | Nut | Ecrou | Mutter | |
| 31 | 22120172/0 | 1 | Cruscotto Nero | Dash Board Black | Console Noire | Konsole Schwarze | |
| 31 | 22120173/0 | 1 | Cruscotto Rosso | Dash Board Red | Console Rouge | Konsole Rote | |
| 31 | 22120174/0 | 1 | Cruscotto Giallo | Dash Board Yellow | Console Jaune | Konsole Gelbe | |



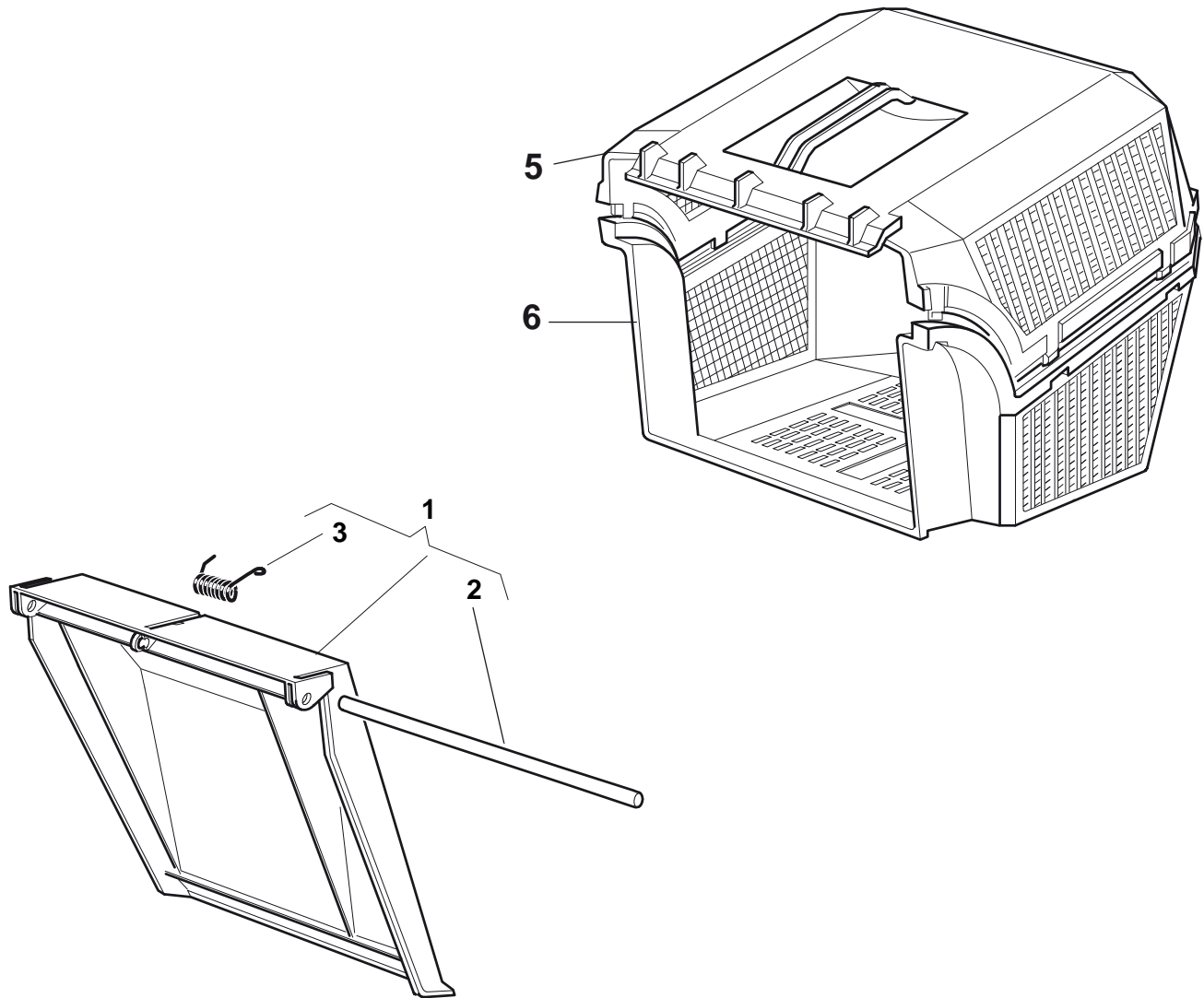
| N. | CODE | Q.TY | DESCRIZIONE | DESCRIPTION | DESCRIPTION | BESCHREIBUNG | REMARK |
|----|-------------|------|--------------------|-----------------|----------------------|---------------------|---|
| 1 | 12291000/0 | 1 | Dado | Nut | Ecrou | Mutter | |
| 2 | 12581500/0 | 1 | Grower | Grower | Grower | Federring | |
| 3 | 22171005/0 | 1 | Distanziale | Spacer | Entretoise | Distanzring | |
| 4 | 12521360/0 | 1 | Rosetta | Washer | Rondelle | Scheibe | |
| 5 | 12508100/0 | 1 | Rosetta Elastica | Spring Washer | Rondelle Elastique | Elastische Scheibe | |
| 6 | 81007220/0 | 1 | Leva, Acceleratore | Lever, Throttle | Levier, Accelérateur | Hebel, Beshleuniger | (B&S 450-500 Series - Ggp 150 cc) |
| 6 | 81007279/1 | 1 | Leva, Acceleratore | Lever, Throttle | Levier, Accelérateur | Hebel, Beshleuniger | (B&S 625-675-700 Series - Honda - Ggp 140-160-196 cc) |
| 7 | 81007080/0 | 1 | Cavo Acceleratore | Throttle Cable | Cable, Accelérateur | Gashebel Kabel | |
| 8 | 12815000/0 | 1 | Vite | Screw | Vis | Schraube | |
| 9 | 114356905/0 | 1 | Etichetta | Label | Etiquette | Etikette | (B&S 700 series DOV) |
| 9 | 114356905/0 | 1 | Etichetta | Label | Etiquette | Etikette | (Honda GCV 160-190 Autochoke) |
| 9 | 114364264/0 | 1 | Etichetta | Label | Etiquette | Etikette | AVS (GGP 160-196) |
| 9 | 14356702/0 | 1 | Etichetta | Label | Etiquette | Etikette | (GGP) |
| 9 | 14356702/0 | 1 | Etichetta | Label | Etiquette | Etikette | (Honda) |
| 9 | 14356703/0 | 1 | Etichetta | Label | Etiquette | Etikette | (B&S) |



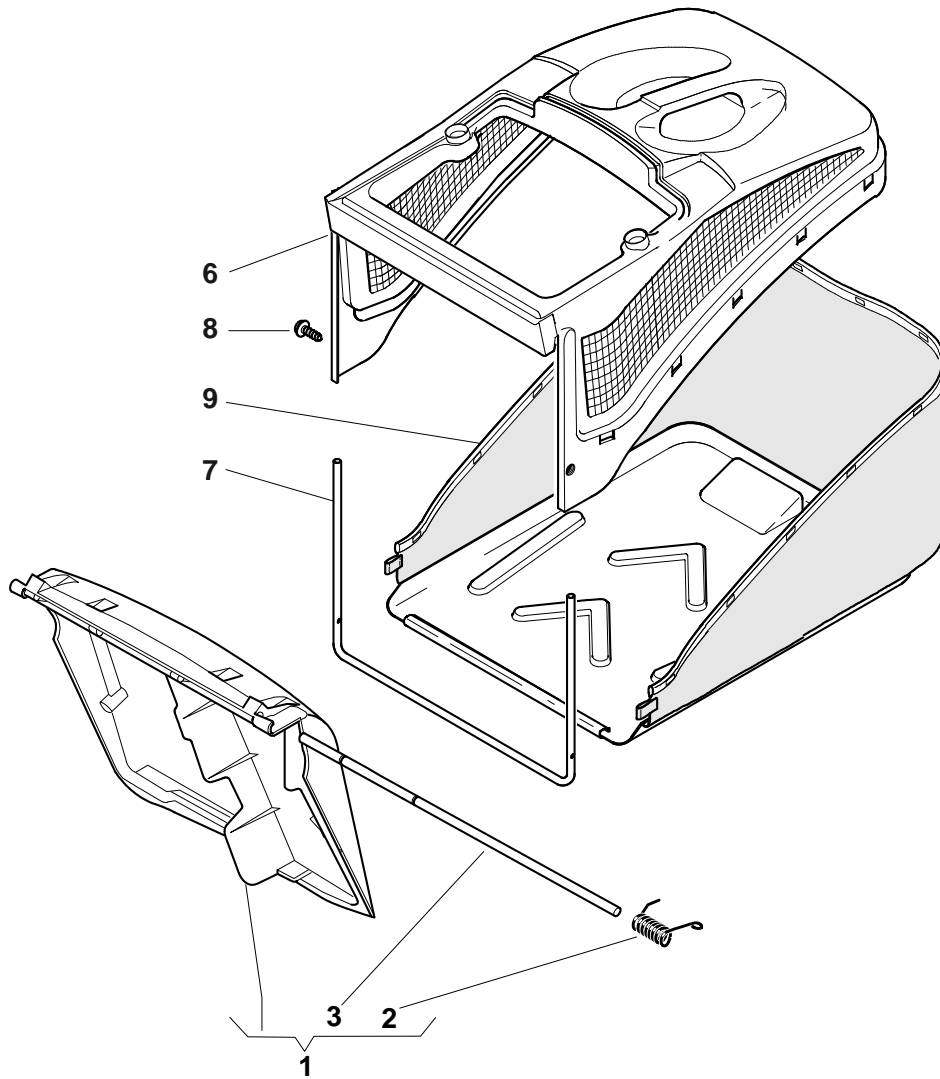
| N. | CODE | Q.TY | DESCRIZIONE | DESCRIPTION | DESCRIPTION | BESCHREIBUNG | REMARK |
|----|-------------|------|-----------------------------------|----------------------------|--------------------------------------|-------------------------------|-------------|
| 1 | 122465606/1 | 1 | Mozzo Girante, Albero Motore Ø 2 | Hub Fan, Crankshaft Ø 25 | Moyeu Ventilateur, Arbre Moteur Ø 2 | Läufendenabe, Motorwelle Ø 25 | (Honda) |
| 1 | 22465605/0 | 1 | Mozzo Girante, Albero Motore Ø 22 | Hub Fan, Crankshaft Ø 22.2 | Moyeu Ventilateur, Arbre Moteur Ø 22 | Läufendenabe, Motorwelle Ø 22 | |
| 2 | 22245080/0 | 1 | Girante | Fan | Ventilateur | Lüfter | |
| 3 | 22465604/0 | 1 | Mozzo | Hub | Moyeu | Halter | |
| 4 | 81004341/3 | 1 | Coltello Standard | Blade Standard | Lame Standard | Messer Standard | |
| 4 | 81004396/0 | 1 | Coltello Alettato | Blade Winged | Lame Ailettée | Messer Flügel | |
| 5 | 22160400/0 | 1 | Disco Elastico | Elastic Washer | Rondelle Elastique | Elastischescheibe | |
| 6 | 12523080/0 | 1 | Rosetta | Washer | Rondelle | Scheibe | |
| 7 | 12736820/0 | 1 | Vite | Screw | Vis | Schraube | |
| 8 | 12139100/0 | 1 | Linguetta, Albero Motore Ø 22.2 | Feather, Crankshaft Ø 22.2 | Clavette, Arbre Moteur Ø 22.2 | Keil, Motorwelle Ø 22.2 | (B&S - GGP) |
| 8 | 12139150/0 | 1 | Linguetta, Albero Motore Ø 25 | Feather, Crankshaft Ø 25 | Clavette, Arbre Moteur Ø 25 | Keil, Motorwelle Ø 25 | (Honda) |
| 9 | 12691800/0 | 3 | Vite | Screw | Vis | Schraube | (B&S - GGP) |
| 9 | 12691900/0 | 3 | Vite | Screw | Vis | Schraube | (Honda) |
| 10 | 22167840/0 | 3 | Distanziale | Spacer | Entretoise | Distanzring | |
| 11 | 22040265/0 | 3 | Bussola | Bush | Douille | Buchse | |
| 12 | 12523070/0 | 3 | Rosetta | Washer | Rondelle | Scheibe | |
| 13 | 12155000/0 | 3 | Dado | Nut | Ecrou | Mutter | |



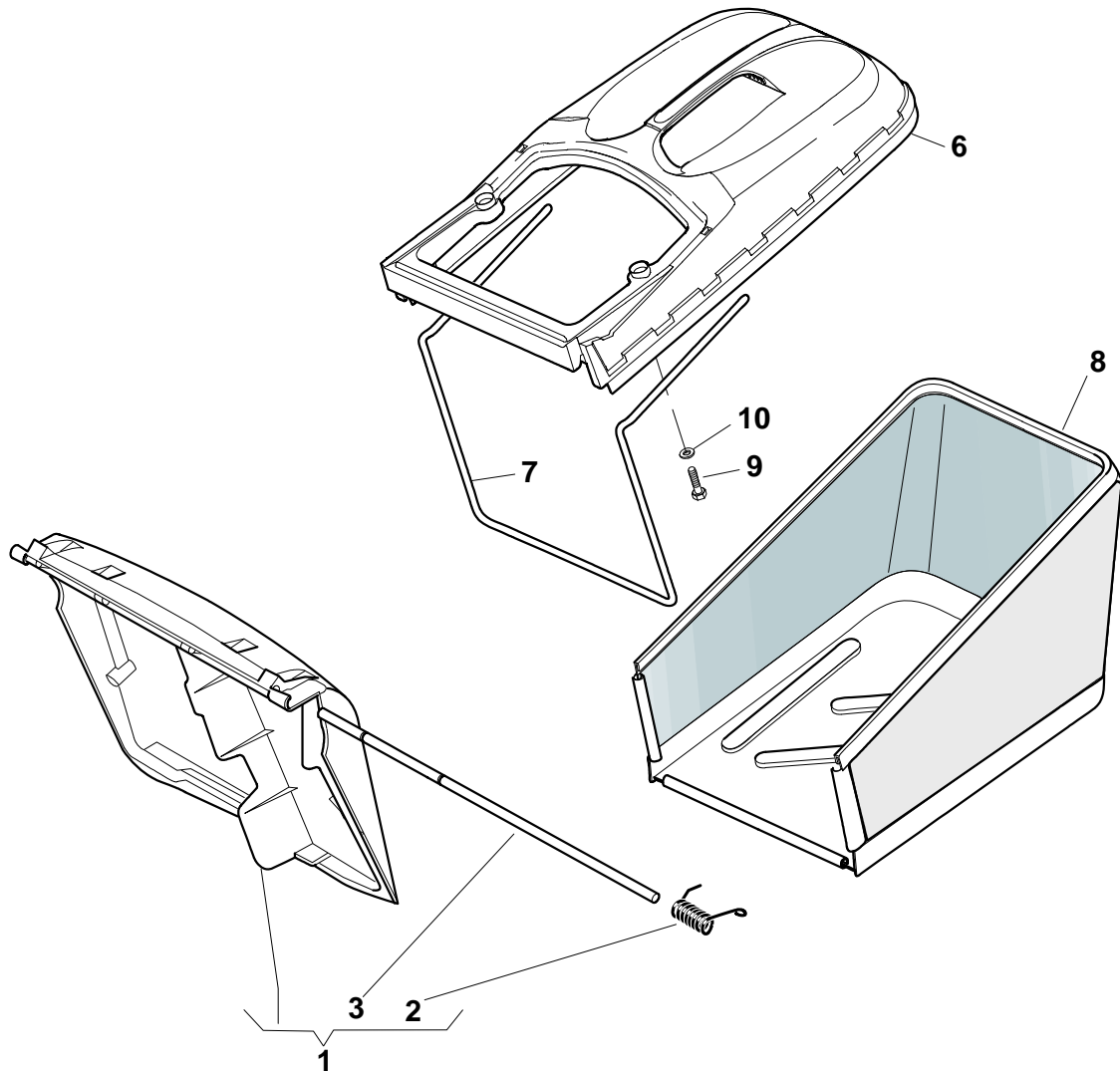
| N. | CODE | Q.TY | DESCRIZIONE | DESCRIPTION | DESCRIPTION | BESCHREIBUNG | REMARK |
|----|-------------|------|------------------|------------------|------------------------|----------------|--------|
| 1 | 381008041/0 | 1 | Parasassi | Stone-Guard | Pare-Pierres | Prallblech | |
| 1 | 381008044/0 | 1 | Parasassi | Stone-Guard | Pare-Pierres | Prallblech | |
| 2 | 22450270/0 | 1 | Molla | Spring | Ressort | Feder | |
| 2 | 22517856/1 | 1 | Perno | Pin | Pivot | Bolzen | |
| 3 | 22450270/0 | 1 | Molla | Spring | Ressort | Feder | |
| 3 | 22517907/0 | 1 | Perno | Pin | Pivot | Bolzen | |
| 5 | 22486065/0 | 1 | Sacco, Parte Sup | Grass-Box, Upper | Sac, Partie Superieure | Korb, Oberteil | |
| 11 | 81002124/1 | 1 | Sacco, Tela | Box, Fabric | Sac, Toile | Sack, Tuck | |
| 12 | 81006430/0 | 1 | Telaio Sacco | Chassis Box | Châssis Bac | Rahmen Sack | |



| N. | CODE | Q.TY | DESCRIZIONE | DESCRIPTION | DESCRIPTION | BESCHREIBUNG | REMARK |
|----|-------------|------|------------------|------------------|------------------------|-----------------|--------|
| 1 | 381008041/0 | 1 | Parasassi | Stone-Guard | Pare-Pierres | Prallblech | |
| 1 | 381008044/0 | 1 | Parasassi | Stone-Guard | Pare-Pierres | Prallblech | |
| 2 | 22450270/0 | 1 | Molla | Spring | Ressort | Feder | |
| 2 | 22517856/1 | 1 | Perno | Pin | Pivot | Bolzen | |
| 3 | 22450270/0 | 1 | Molla | Spring | Ressort | Feder | |
| 3 | 22517907/0 | 1 | Perno | Pin | Pivot | Bolzen | |
| 5 | 22486064/0 | 1 | Sacco, Parte Inf | Grass-Box, Lower | Sac, Partie Inferieure | Korb, Unterteil | |
| 5 | 22486065/0 | 1 | Sacco, Parte Sup | Grass-Box, Upper | Sac, Partie Superieure | Korb, Oberteil | |
| 6 | 22486064/0 | 1 | Sacco, Parte Inf | Grass-Box, Lower | Sac, Partie Inferieure | Korb, Unterteil | |



| N. | CODE | Q.TY | DESCRIZIONE | DESCRIPTION | DESCRIPTION | BESCHREIBUNG | REMARK |
|----|-------------|------|------------------|------------------|-------------------|----------------|--------|
| 1 | 381008042/0 | 1 | Parasassi | Stone-Guard | Pare-Pierres | Prallblech | |
| 1 | 381008050/0 | 1 | Parasassi | Stone-Guard | Pare-Pierres | Prallblech | |
| 2 | 22451000/0 | 1 | Molla | Spring | Ressort | Feder | |
| 3 | 22517857/0 | 1 | Perno | Pin | Pivot | Bolzen | |
| 3 | 22517907/0 | 1 | Perno | Pin | Pivot | Bolzen | |
| 6 | 22486094/0 | 1 | Sacco, Parte Sup | Grass-Box, Upper | Sac, Partie | Korb, Oberteil | |
| 7 | 22608524/0 | 1 | Rinforzo Inf | Stiffening Lower | Réinforcement Inf | Verstärkung | |
| 8 | 12728445/0 | 2 | Vite | Screw | Vis | Schraube | |
| 9 | 81002196/0 | 1 | Sacco, Tela | Box, Fabric | Sac, Toile | Sack, Tuck | |



| N. | CODE | Q.TY | DESCRIZIONE | DESCRIPTION | DESCRIPTION | BESCHREIBUNG | REMARK |
|----|-------------|------|------------------|------------------|-----------------|----------------|--------|
| 1 | 381008042/0 | 1 | Parasassi | Stone-Guard | Pare-Pierres | Prallblech | |
| 1 | 381008050/0 | 1 | Parasassi | Stone-Guard | Pare-Pierres | Prallblech | |
| 2 | 22451000/0 | 1 | Molla | Spring | Ressort | Feder | |
| 3 | 22517857/0 | 1 | Perno | Pin | Pivot | Bolzen | |
| 6 | 22486102/0 | 1 | Sacco, Parte Sup | Grass-Box, Upper | Sac, Partie | Korb, Oberteil | |
| 7 | 22608526/0 | 1 | Rinforzo Inf | Stiffening Lower | Réforcement Inf | Verstärkung | |
| 8 | 81002212/0 | 1 | Sacco, Tela | Box, Fabric | Sac, Toile | Sack, Tuck | |
| 9 | 12728680/0 | 2 | Vite | Screw | Vis | Schraube | |
| 10 | 12523050/0 | 2 | Rosetta | Washer | Rondelle | Scheibe | |