

Genuine Spare Parts

SPL360

Catalogo delle parti di ricambio
Spare parts catalogue
Catalogue des pieces de rechange
Ersatzteilkatalog

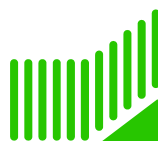
2011

- Use GLOBAL GARDEN PRODUCT Genuine Spare Parts specified in the parts list for repair and/or replacement.
- The contents described in the parts list may change due to improvement.
- The drawings of the spare parts are only indicative and might not represent the part in question exactly.
- The indications "right" - "left" - "front" - "rear" refer to the position of the operator when using the machine.
- When placing orders of parts for repair and/or replacement, make sure that the illustrated parts list is the one applying to the machine's year of manufacture, as shown on the identification plate attached to the machine.

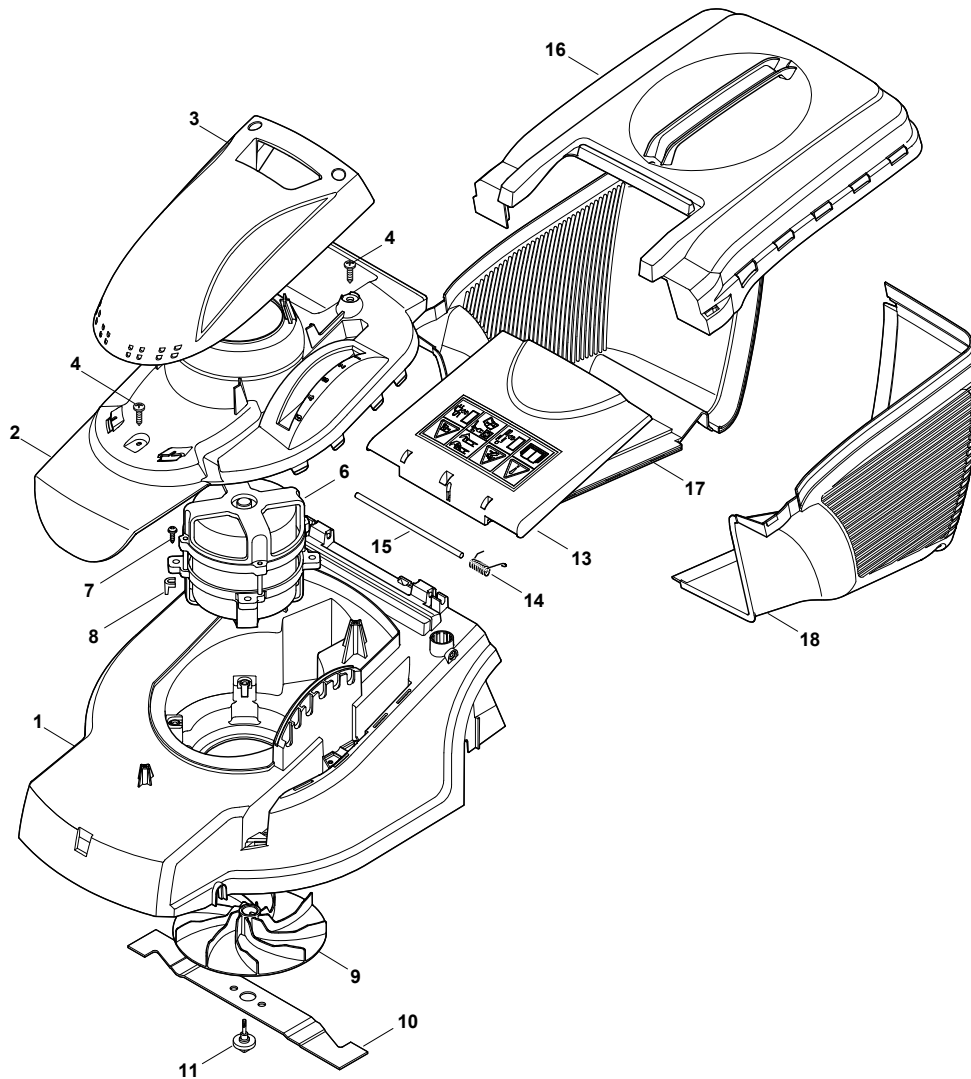
© Copyright 2011 Global Garden Products

All content is subject to copyright by Global Garden Products and may not be reproduced in whole or in part by any means, electronic or otherwise, without prior written approval.

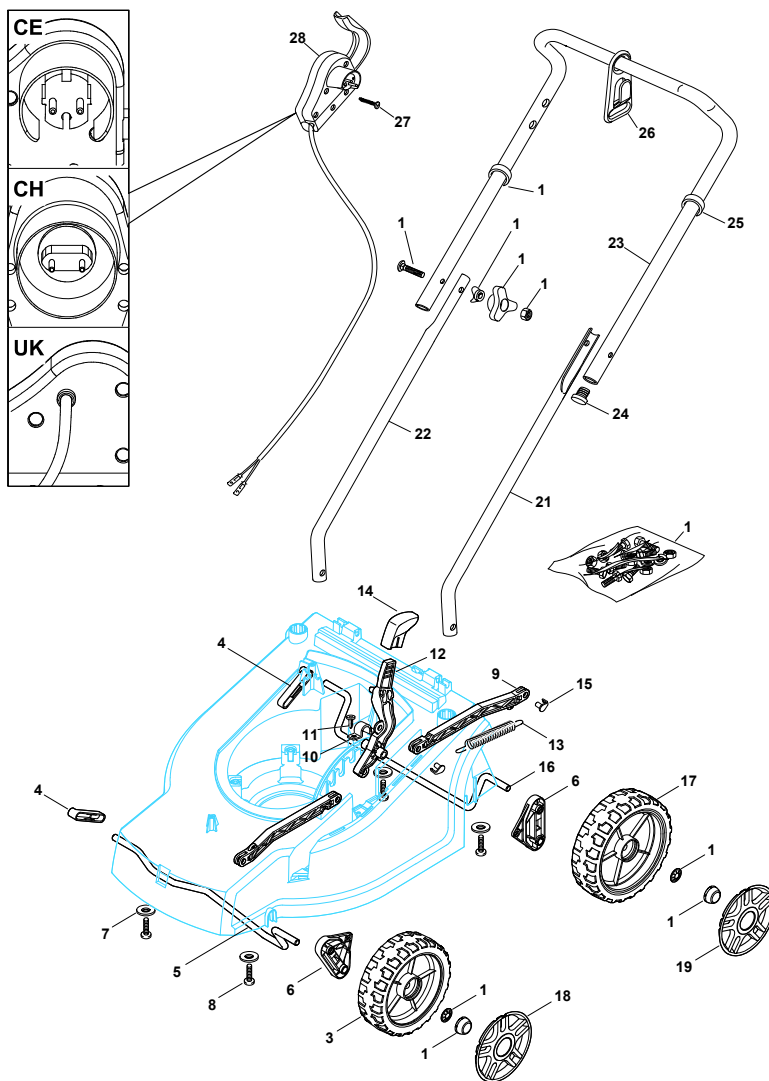
THIS INFORMATION IS NOT INTENDED FOR SALE OR RESALE, AND THIS NOTICE MUST REMAIN ON ALL COPIES.



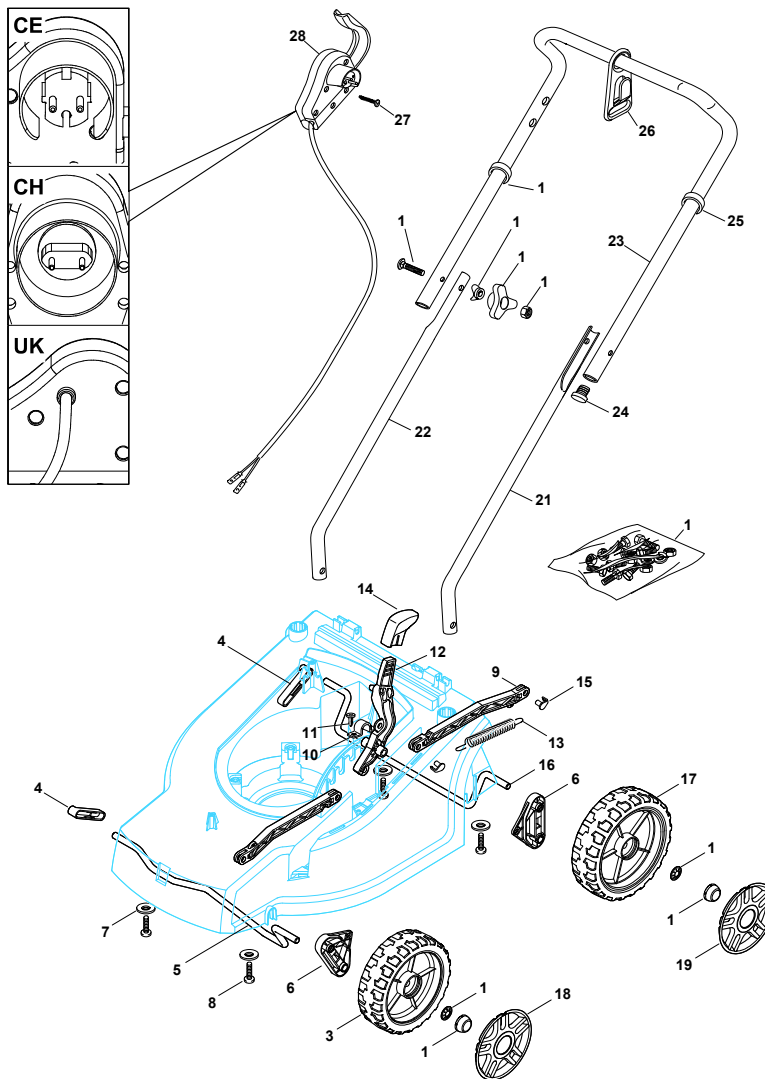
GLOBAL GARDEN PRODUCTS



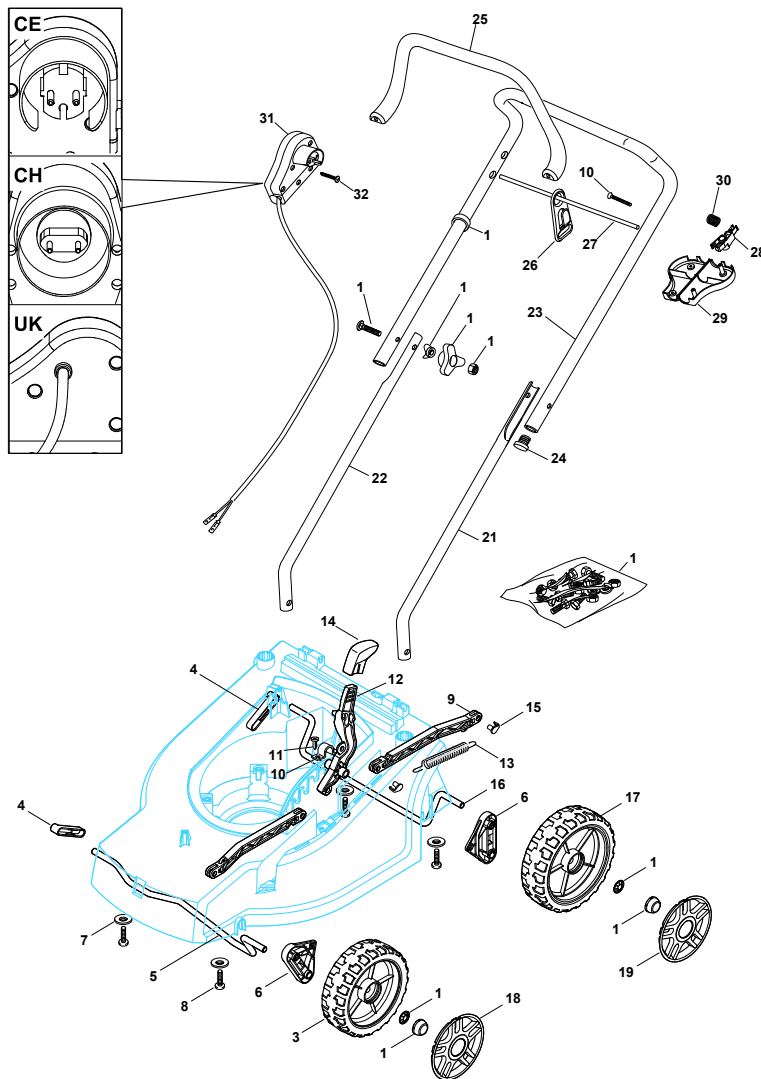
| N. | CODE | Q.TY | DESCRIZIONE | DESCRIPTION | DESCRIPTION | BESCHREIBUNG | REMARK |
|----|-------------|------|---------------------|-----------------------|--------------------------|-------------------|--------|
| 1 | 322066754/0 | 1 | Chassis Rosso | Deck Red | Châssis Rouge | Gehäuse Rot | |
| 2 | 322055153/0 | 1 | Supporto Capottina | Support, Cover | Support Capot | Halter, Haube | |
| 3 | 322785381/0 | 1 | Capottina | Cover | Capot | Haube | |
| 4 | 12728701/0 | 3 | Vite | Screw | Vis | Schraube | |
| 6 | 118563669/0 | 1 | Motore | Motor | Moteur | Motor | |
| 7 | 112735410/0 | 4 | Vite | Screw | Vis | Schraube | |
| 8 | 22167700/0 | 4 | Distanziale | Spacer | Entretoise | Distanzring | |
| 9 | 322465602/1 | 1 | Mozzo | Hub | Moyeu | Halter | |
| 10 | 181004153/0 | 1 | Coltello | Blade | Lame | Messer | |
| 11 | 381004352/1 | 1 | Vite | Screw | Vis | Schraube | |
| 13 | 322600227/0 | 1 | Parasassi | Stone-Guard | Pare-Pierres | Prallblech | |
| 14 | 22450250/0 | 1 | Molla | Spring | Ressort | Feder | |
| 15 | 122512602/0 | 1 | Perno | Pin | Pivot | Bolzen | |
| 16 | 322486274/0 | 1 | Sacco, Parte Sup | Grass-Box, Upper Part | Sac, Partie Superieure | Korb, Oberteil | |
| 17 | 322486275/0 | 1 | Sacco, Parte Inf Dx | Grass-Box, R Lower | Sac, Partie Inferieure D | Korb, R Unterteil | |
| 18 | 322486276/0 | 1 | Sacco, Parte Inf Sx | Grass-Box, L Lower | Sac, Partie Inferieure G | Korb, L Unterteil | |



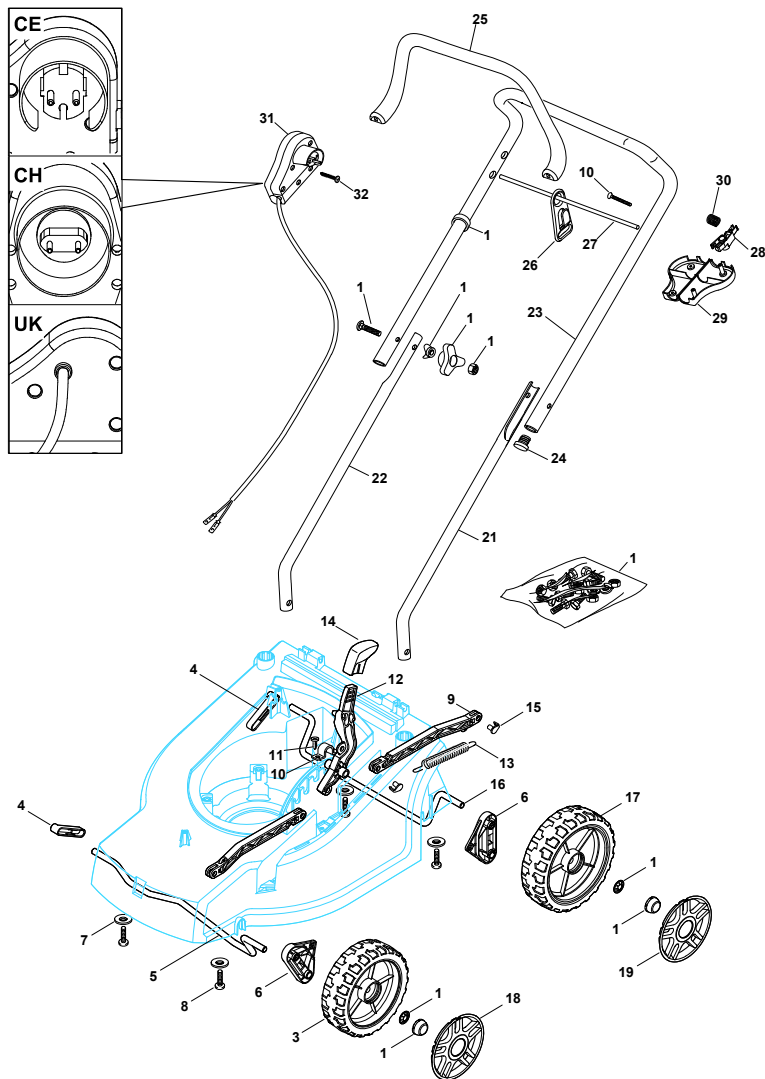
| N. | CODE | Q.TY | DESCRIZIONE | DESCRIPTION | DESCRIPTION | BESCHREIBUNG | REMARK |
|----|-------------|------|-----------------------------|--------------------------|--------------------------------|-------------------------|--------|
| 1 | 381008756/0 | 1 | Dotazione Viteria | Outfit, Screws | Dotation Visserie | Satz, Schrauben | |
| 3 | 322686102/0 | 2 | Ruota Ø 150 | Wheel Ø 150 | Roue Ø 150 | Rad Ø 150 | |
| 4 | 322545220/0 | 2 | Piastrina | Plate | Plaquette | Plättchen | |
| 5 | 122033420/0 | 1 | Asse Ruote Anteriori | Axle, Front Wheels | Axe Roues Avant | Achse, Vorderrad | |
| 6 | 322545221/0 | 2 | Piastrina | Plate | Plaquette | Plättchen | |
| 7 | 12523050/0 | 4 | Rosetta | Washer | Rondelle | Scheibe | |
| 8 | 112728705/0 | 4 | Vite | Screw | Vis | Schraube | |
| 9 | 322869669/0 | 2 | Asta Comando Regol. Altezza | Tie Rod | Tirant | Spannstange | |
| 10 | 25547049/0 | 1 | Piastrina | Plate | Plaquette | Plättchen | |
| 11 | 12728701/0 | 2 | Vite | Screw | Vis | Schraube | |
| 12 | 322321528/0 | 1 | Leva Regolazione Altezza | Lever, Height Adjustment | Levier Reglage Hauteur | Hebel, Höhenverstellung | |
| 13 | 122450425/0 | 1 | Molla | Spring | Ressort | Feder | |
| 14 | 322399827/0 | 1 | Manopolina | Knob | Poignée | Griff | |
| 15 | 22524338/0 | 1 | Perno | Pin | Pivot | Bolzen | |
| 16 | 122033421/0 | 1 | Asse Ruote Posteriori | Axle, Rear Wheels | Axe Roues Arriere | Achse, Hinterrad | |
| 17 | 322686103/0 | 2 | Ruota Ø 165 | Wheel Ø 165 | Roue Ø 165 | Rad Ø 165 | |
| 18 | 322110665/0 | 2 | Coprismozzo Grigio | Hub Cap Grey | Couvre-Moyeu Gris | Radkappe Grau | |
| 19 | 322110491/2 | 2 | Coprismozzo Grigio | Hub Cap Grey | Couvre-Moyeu Gris | Radkappe Grau | |
| 21 | 381006940/2 | 1 | Manico, Parte Inf Sx | Handle, L Lower | Mancheron, Partie Inferieure G | Holm, Linke Unterteil | |
| 22 | 381006939/2 | 1 | Manico, Parte Inf Dx | Handle, R Lower | Mancheron, Partie Inferieure D | Holm, Rechte Unterteil | |
| 23 | 81006941/4 | 1 | Manico, Parte Sup | Handle, Upper Part | Mancheron, Partie Sup. | Holm, Oberteil | |
| 24 | 18566112/0 | 2 | Puntale | Cap | Bouchon | Gummistopfen | |
| 25 | 22192151/0 | 1 | Fermacavo | Fairlead | Fixation Cable | Kabelbefestigung | |
| 26 | 22195101/4 | 1 | Fermacavo | Fairlead | Fixation Cable | Kabelbefestigung | |
| 27 | 12728701/0 | 2 | Vite | Screw | Vis | Schraube | |
| 28 | 81600500/1 | 1 | Salvamotore | Dead Hand Switch | Int. Main Morte | Tot Manschalter | CE |
| 28 | 81600501/1 | 1 | Salvamotore | Dead Hand Switch | Int. Main Morte | Tot Manschalter | CH |



| N. CODE | Q.TY | DESCRIZIONE | DESCRIPTION | DESCRIPTION | BESCHREIBUNG | REMARK | |
|---------|------------|-------------|-------------|------------------|-----------------|-----------------|----|
| 28 | 81600502/1 | 1 | Salvatore | Dead Hand Switch | Int. Main Morte | Tot Manschalter | UK |



| N. | CODE | Q.TY | DESCRIZIONE | DESCRIPTION | DESCRIPTION | BESCHREIBUNG | REMARK |
|----|-------------|------|-----------------------------|--------------------------|--------------------------------|-------------------------|--------|
| 1 | 381008756/0 | 1 | Dotazione Viteria | Outfit, Screws | Dotation Visserie | Satz, Schrauben | |
| 3 | 322686102/0 | 2 | Ruota Ø 150 | Wheel Ø 150 | Roue Ø 150 | Rad Ø 150 | |
| 4 | 322545220/0 | 2 | Piastrina | Plate | Plaquette | Plättchen | |
| 5 | 122033420/0 | 1 | Asse Ruote Anteriori | Axle, Front Wheels | Axe Roues Avant | Achse, Vorderrad | |
| 6 | 322545221/0 | 2 | Piastrina | Plate | Plaquette | Plättchen | |
| 7 | 12523050/0 | 4 | Rosetta | Washer | Rondelle | Scheibe | |
| 8 | 112728705/0 | 4 | Vite | Screw | Vis | Schraube | |
| 9 | 322869669/0 | 2 | Asta Comando Regol. Altezza | Tie Rod | Tirant | Spannstange | |
| 10 | 25547049/0 | 1 | Piastrina | Plate | Plaquette | Plättchen | |
| 11 | 12728701/0 | 2 | Vite | Screw | Vis | Schraube | |
| 12 | 322321528/0 | 1 | Leva Regolazione Altezza | Lever, Height Adjustment | Levier Reglage Hauteur | Hebel, Höhenverstellung | |
| 13 | 122450425/0 | 1 | Molla | Spring | Ressort | Feder | |
| 14 | 322399827/0 | 1 | Manopolina | Knob | Poignée | Griff | |
| 15 | 22524338/0 | 1 | Perno | Pin | Pivot | Bolzen | |
| 16 | 122033421/0 | 1 | Asse Ruote Posteriori | Axle, Rear Wheels | Axe Roues Arriere | Achse, Hinterrad | |
| 17 | 322686103/0 | 2 | Ruota Ø 165 | Wheel Ø 165 | Roue Ø 165 | Rad Ø 165 | |
| 18 | 322110665/0 | 2 | Coprismozzo Grigio | Hub Cap Grey | Couvre-Moyeu Gris | Radkappe Grau | |
| 19 | 322110491/2 | 2 | Coprismozzo Grigio | Hub Cap Grey | Couvre-Moyeu Gris | Radkappe Grau | |
| 21 | 381006940/2 | 1 | Manico, Parte Inf Sx | Handle, L Lower | Mancheron, Partie Inferieure G | Holm, Linke Unterteil | |
| 22 | 381006939/2 | 1 | Manico, Parte Inf Dx | Handle, R Lower | Mancheron, Partie Inferieure D | Holm, Rechte Unterteil | |
| 23 | 81006941/4 | 1 | Manico, Parte Sup | Handle, Upper Part | Mancheron, Partie Sup. | Holm, Oberteil | |
| 24 | 18566112/0 | 2 | Puntale | Cap | Bouchon | Gummistopfen | |
| 25 | 322322880/1 | 1 | Leva Freno Motore, Nero | Lever, Engine Brake | Levier Frein Moteur | Hebel, Motorbremse | |
| 25 | 322322882/1 | 1 | Leva Freno Motore, Rosso | Lever, Engine Brake | Levier Frein Moteur | Hebel, Motorbremse | |
| 25 | 322322883/1 | 1 | Leva Freno Motore, Giallo | Lever, Engine Brake | Levier Frein Moteur | Hebel, Motorbremse | |
| 26 | 22195101/4 | 1 | Fermacavo | Fairlead | Fixation Cable | Kabelbefestigung | |
| 27 | 22010250/0 | 1 | Asta Aggancio Fermacavo | Rod, Fairlead Bearing | Tige Support Serrecable | Stange, Kabelhalter | |



| N. CODE | Q.TY | DESCRIZIONE | DESCRIPTION | DESCRIPTION | BESCHREIBUNG | REMARK | |
|---------|-------------|-------------|-------------|------------------|-----------------|-----------------|----|
| 28 | 322230350/1 | 1 | Fulcro | Fulcrum Pin | Point D'Appui | Gelenkpunkt | |
| 29 | 322785144/1 | 1 | Supporto | Support | Support | Halter | |
| 30 | 22450115/0 | 1 | Molla | Spring | Ressort | Feder | |
| 31 | 381600503/3 | 1 | Salvatore | Dead Hand Switch | Int. Main Morte | Tot Manschalter | CE |
| 31 | 381600504/3 | 1 | Salvatore | Dead Hand Switch | Int. Main Morte | Tot Manschalter | CH |
| 31 | 381600505/3 | 1 | Salvatore | Dead Hand Switch | Int. Main Morte | Tot Manschalter | UK |
| 32 | 12728701/0 | 4 | Vite | Screw | Vis | Schraube | |