

Genuine Spare Parts

ES 464 TR - ES 464 TR-E

Catalogo delle parti di ricambio
Spare parts catalogue
Catalogue des pieces de rechange
Ersatzteilkatalog

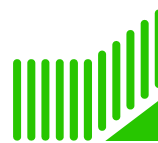
2011

- Use GLOBAL GARDEN PRODUCT Genuine Spare Parts specified in the parts list for repair and/or replacement.
- The contents described in the parts list may change due to improvement.
- The drawings of the spare parts are only indicative and might not represent the part in question exactly.
- The indications "right" - "left" - "front" - "rear" refer to the position of the operator when using the machine.
- When placing orders of parts for repair and/or replacement, make sure that the illustrated parts list is the one applying to the machine's year of manufacture, as shown on the identification plate attached to the machine.

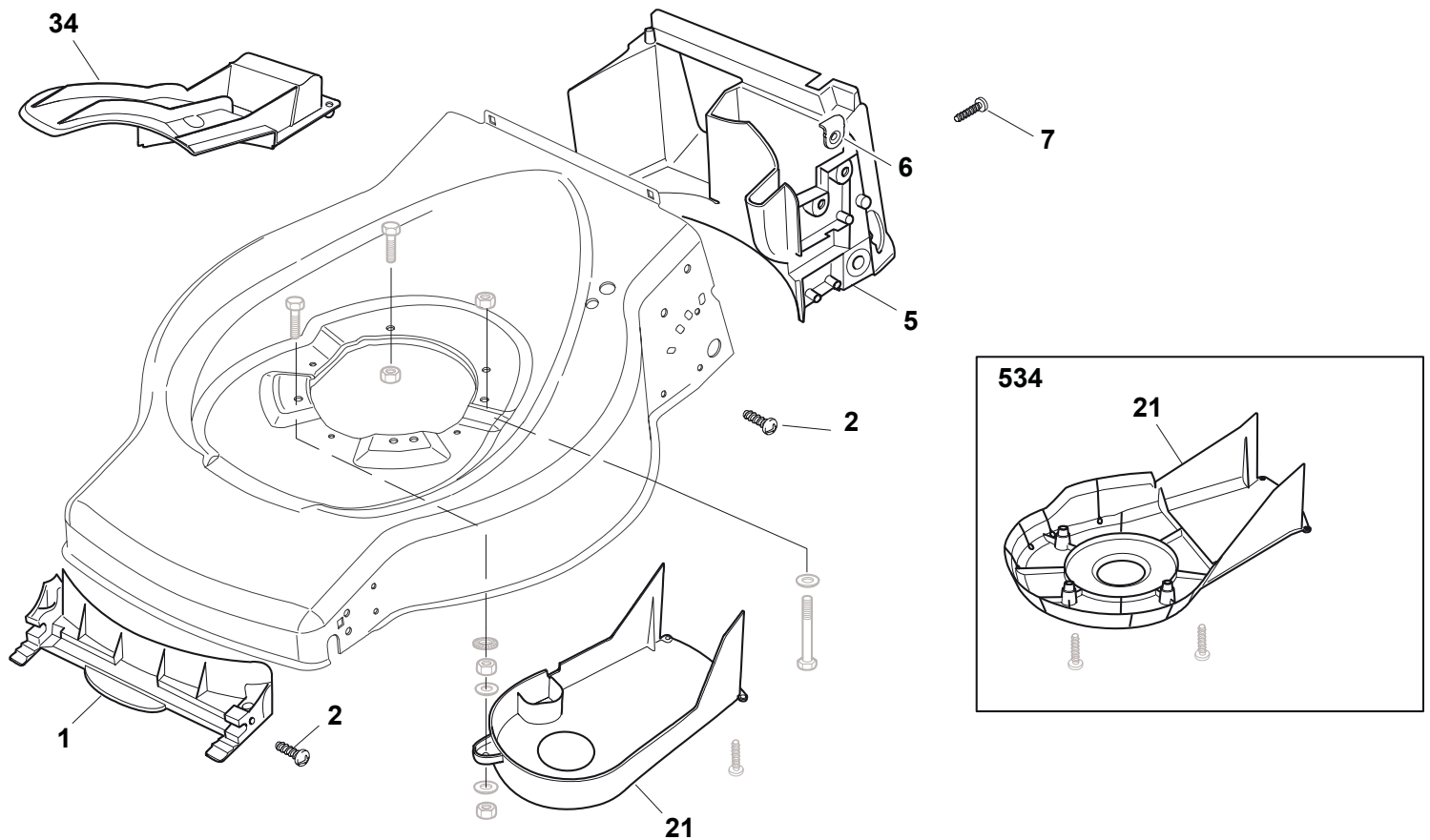
© Copyright 2011 Global Garden Products

All content is subject to copyright by Global Garden Products and may not be reproduced in whole or in part by any means, electronic or otherwise, without prior written approval.

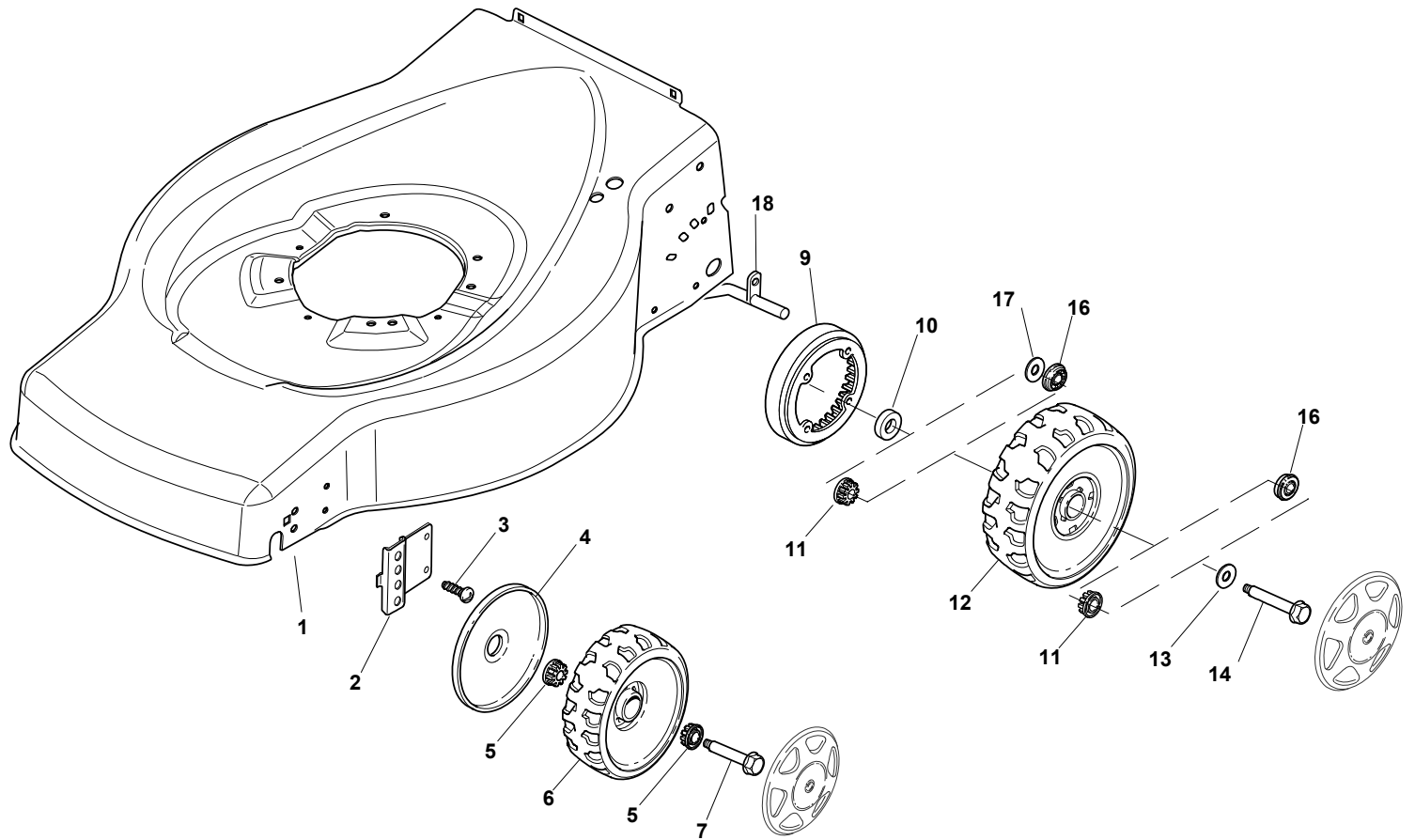
THIS INFORMATION IS NOT INTENDED FOR SALE OR RESALE, AND THIS NOTICE MUST REMAIN ON ALL COPIES.



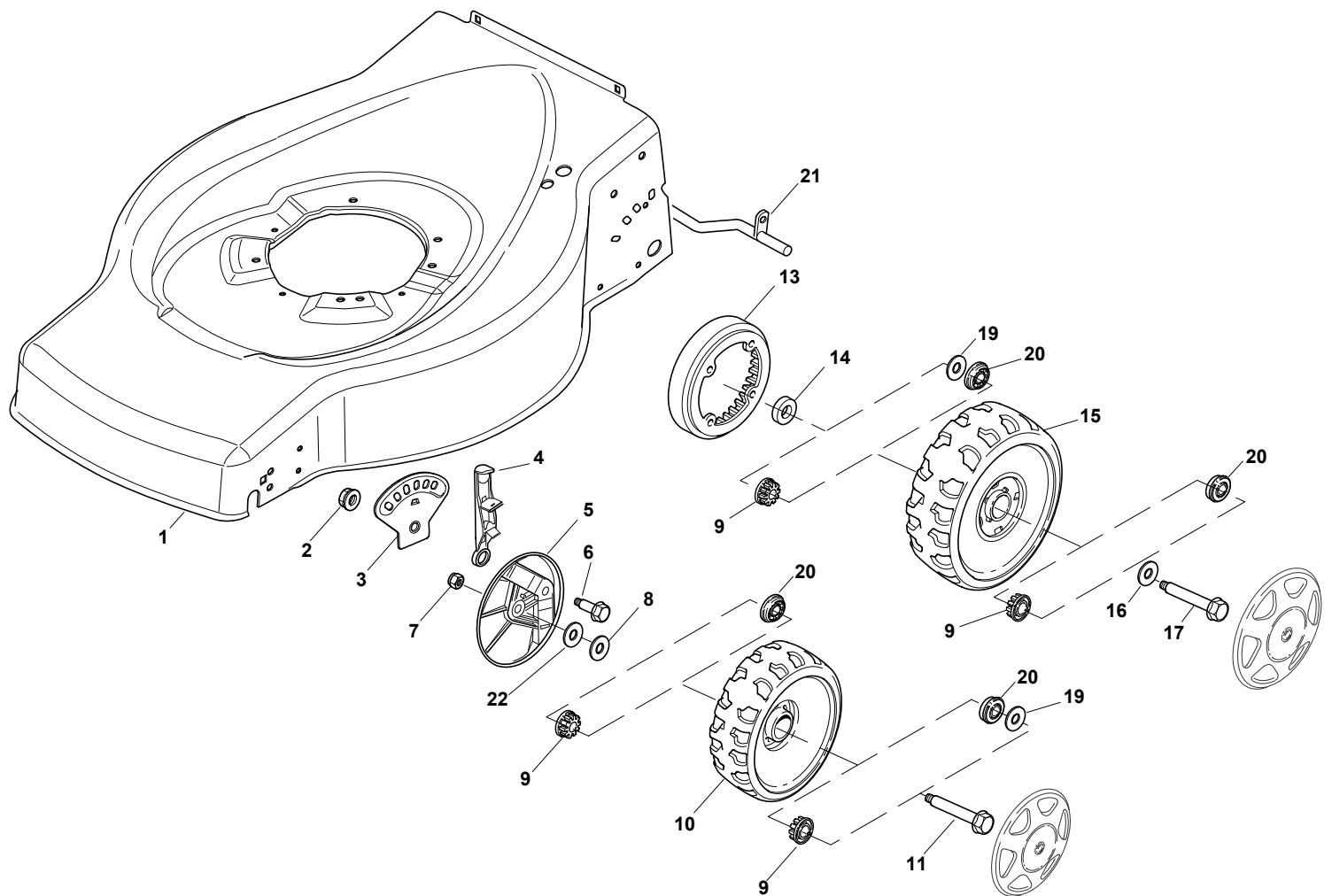
GLOBAL GARDEN PRODUCTS



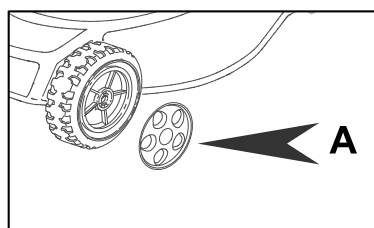
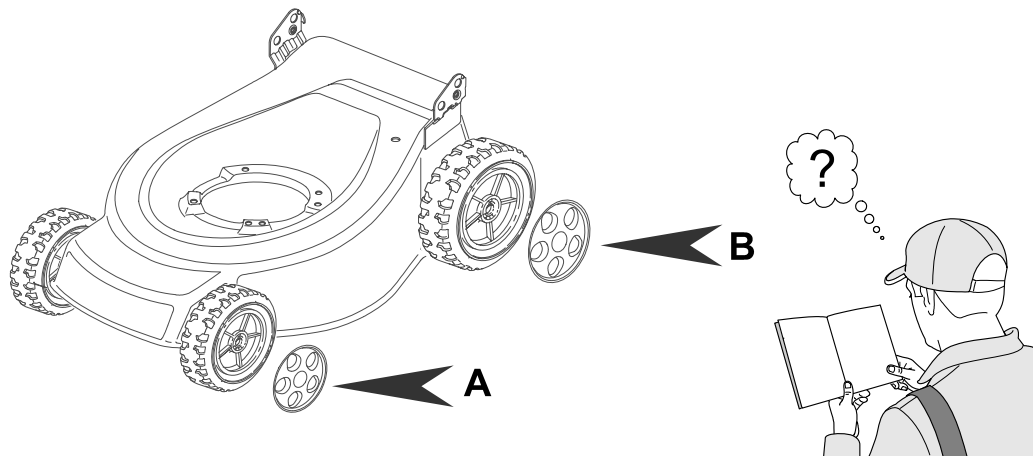
N.	CODE	Q.TY	DESCRIZIONE	DESCRIPTION	DESCRIPTION	BESCHREIBUNG	REMARK
1	22108271/0	1	Convogl. Anteriore	Front Conveyor Assy	Ens. Convoyeur Avant	Hinterleitblechvorder	
2	12728686/0	6	Vite	Screw	Vis	Schraube	
5	22108272/2	1	Convogl. Posteriore	Rear Conveyor Assy	Ens. Convoyeur Post.	Hinterleitblechsatz	
6	322545189/0	4	Piastrina	Plate	Plaquette	Plättchen	
7	12728686/0	2	Vite	Screw	Vis	Schraube	
21	22060212/0	1	Carter Cinghia	Protection, Belt	Protection Courroie	Schutz, Riemen	
34	22140226/0	1	Deflettore	Deflector	Deflecteur	Deflektor	



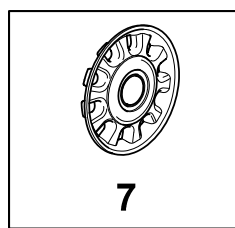
N.	CODE	Q.TY	DESCRIZIONE	DESCRIPTION	DESCRIPTION	BESCHREIBUNG	REMARK
1	81002652/0	1	Chassis Rosso	Deck Red	Châssis Rouge	Gehäuse Rot	
2	22551523/0	2	Piastra Anteriore	Plate, Front	Plaque Antérieure	Platte, Vorder	
3	12728686/0	4	Vite	Screw	Vis	Schraube	
4	22600095/0	2	Prot. Ruote	Protection, Wheel	Protection Roue	Schütz, Räder	
5	22034515/1	4	Bussola	Bush	Douille	Buchse	
6	22686091/1	2	Ruota Ø 165	Wheel Ø 165	Roue Ø 165	Rad Ø 165	
7	22524340/0	2	Perno	Pin	Pivot	Bolzen	
9	22120109/0	2	Corona Trascinamento	Ring Gear	Couronne	Kranz	
10	22170622/0	2	Rosetta Elastica	Elastic Washer	Rondelle Elastique	Elastische Scheibe	
11	22034508/0	4	Bussola	Bush	Douille	Buchse	
12	22686093/0	2	Ruota Ø 190	Wheel Ø 190	Roue Ø190	Rad Ø 190	
13	12523050/0	2	Rosetta	Washer	Rondelle	Scheibe	
14	12735599/0	2	Vite	Screw	Vis	Schraube	
16	22122200/0	4	Cuscinetto	Bearing	Coussinet	Lager	
17	22675100/0	2	Rosetta	Washer	Rondelle	Scheibe	
18	22033393/0	1	Asse Ruote Posteriori	Axle, Rear Wheels	Axe Roues Arriere	Achse, Hinterrad	



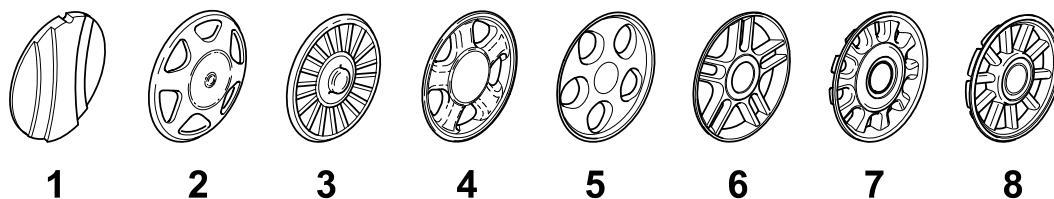
N.	CODE	Q.TY	DESCRIZIONE	DESCRIPTION	DESCRIPTION	BESCHREIBUNG	REMARK
1	81002538/0	1	Chassis Rosso	Deck Red	Châssis Rouge	Gehäuse Rot	
2	22131750/0	2	Dado	Nut	Ecrou	Mutter	
3	22735557/0	2	Settore Di Regolazione	Sector, Height Adjustment	Secteur Reglage	Sektor, Höheverstellung	
4	81003306/0	2	Leva Regolazione Altezza	Lever, Height Adjustment	Levier Reglage Hauteur	Hebel, Höheverstellung	
5	322600170/0	2	Prot. Ruote	Protection, Wheel	Protection Roue	Schütz, Räder	
6	22524324/0	2	Perno	Pin	Pivot	Bolzen	
7	12155000/0	2	Dado	Nut	Ecrou	Mutter	
8	25670011/0	2	Rosetta	Washer	Rondelle	Scheibe	
9	22034508/0	8	Bussola	Bush	Douille	Buchse	
10	22686091/1	2	Ruota Ø 165	Wheel Ø 165	Roue Ø 165	Rad Ø 165	
11	22524341/0	2	Perno	Pin	Pivot	Bolzen	
13	22120109/0	2	Corona Trascinamento	Ring Gear	Couronne	Kranz	
14	22170622/0	2	Rosetta Elastica	Elastic Washer	Rondelle Elastique	Elastische Scheibe	
15	22686093/0	2	Ruota Ø 190	Wheel Ø 190	Roue Ø190	Rad Ø 190	
16	12523050/0	2	Rosetta	Washer	Rondelle	Scheibe	
17	12735599/0	2	Vite	Screw	Vis	Schraube	
19	22675100/0	4	Rosetta	Washer	Rondelle	Scheibe	
20	22122200/0	8	Cuscinetto	Bearing	Coussinet	Lager	
21	22033393/0	1	Asse Ruote Posteriori	Axle, Rear Wheels	Axe Roues Arriere	Achse, Hinterrad	
22	12530150/0	2	Rosetta Elastica	Elastic Washer	Rondelle Elastique	Elastische Scheibe	



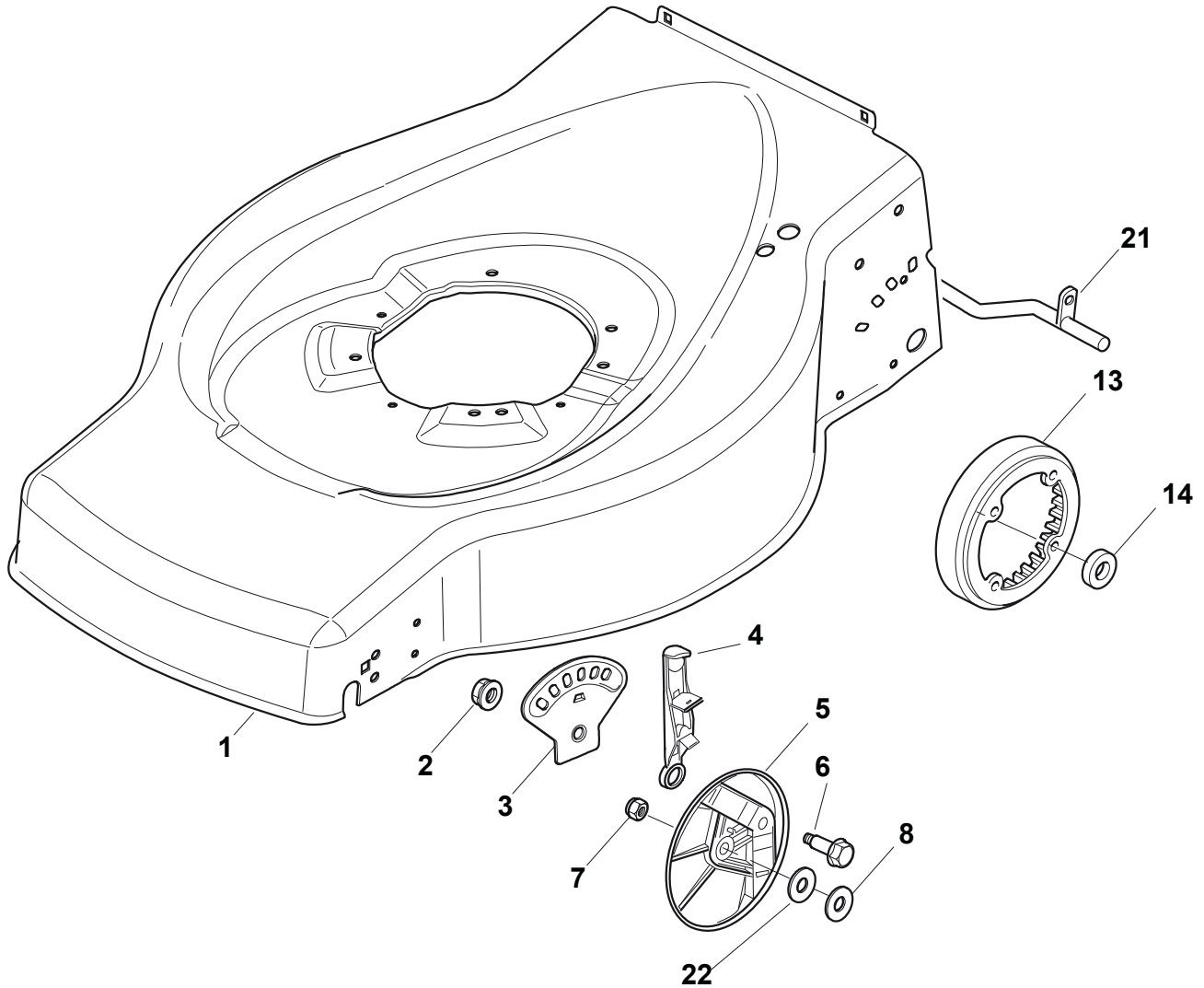
+



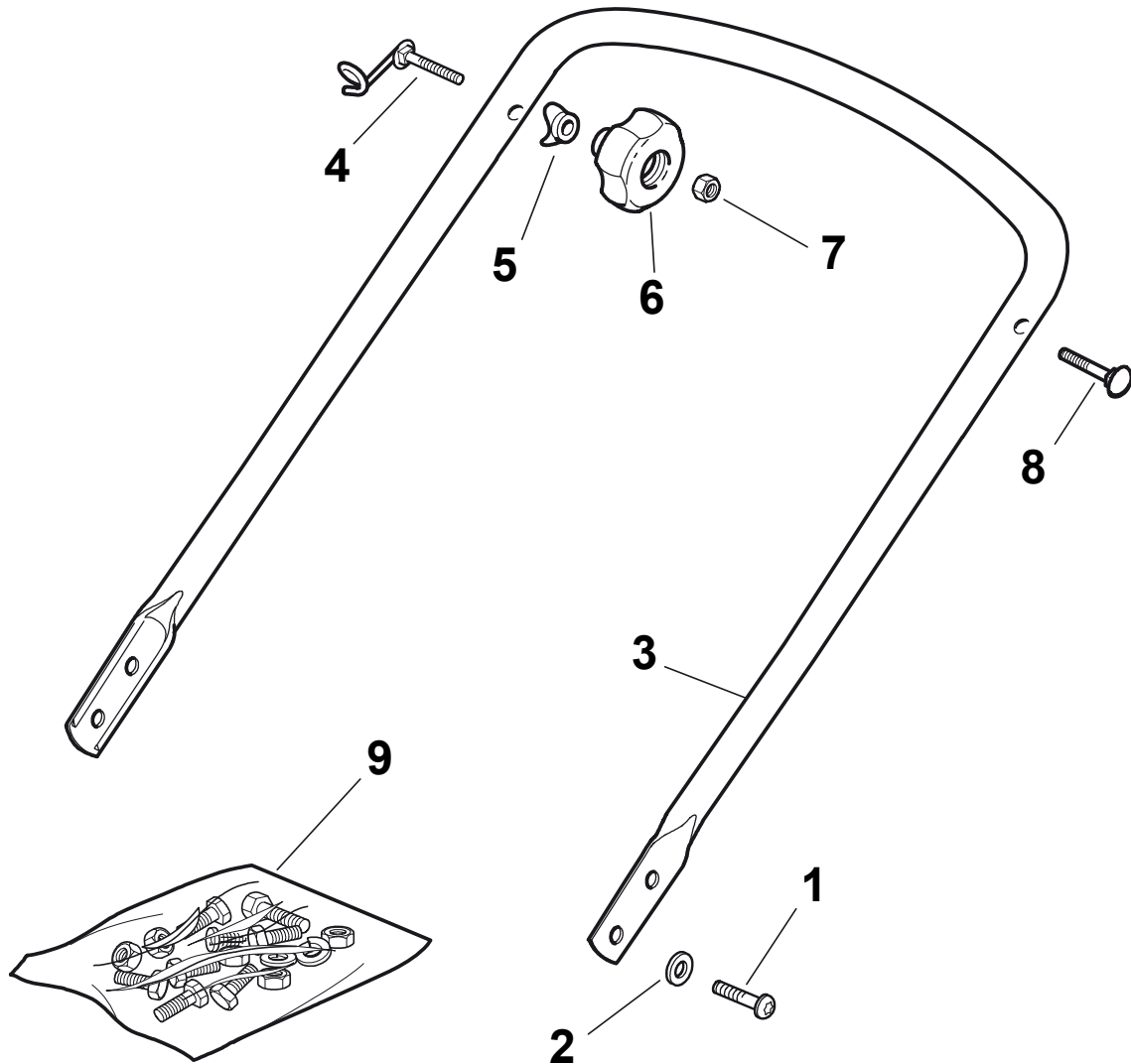
= A7



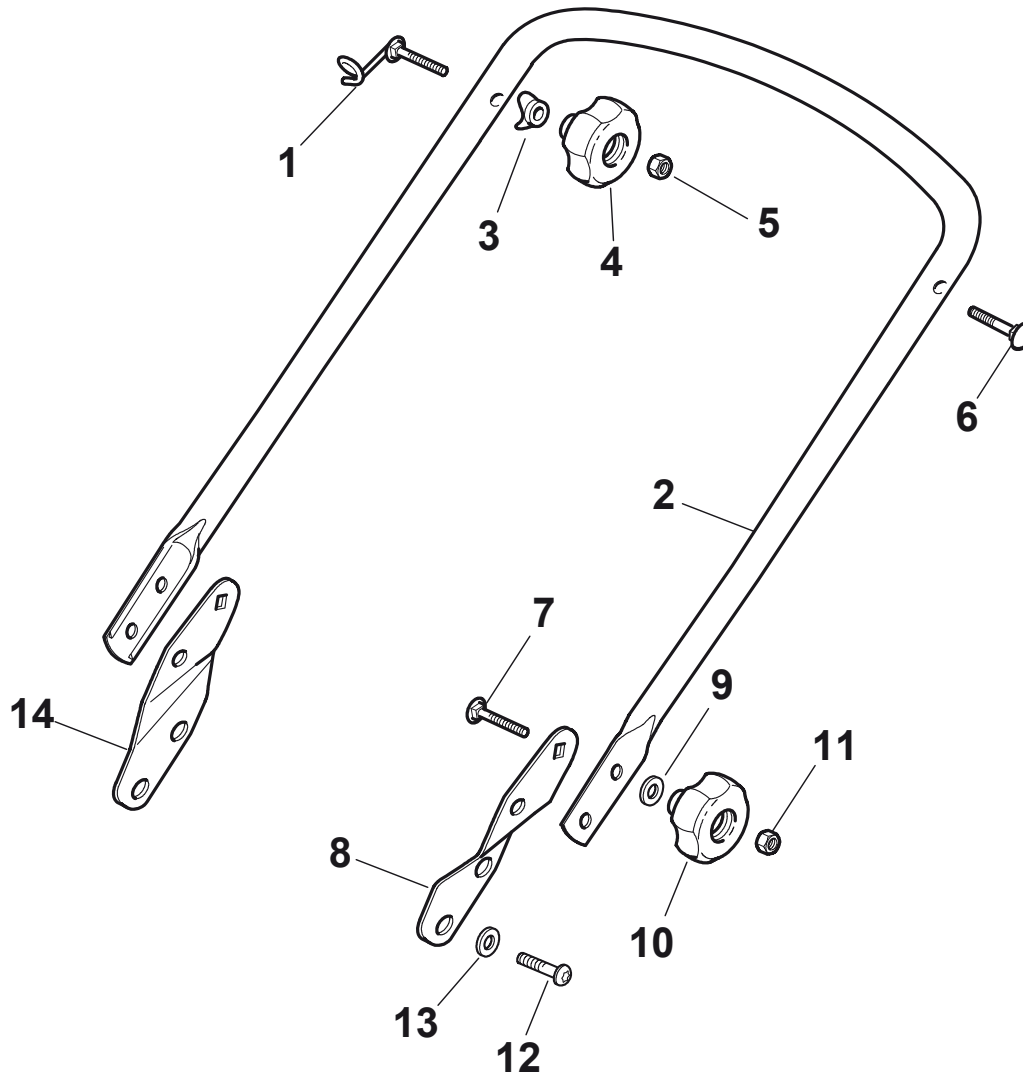
N. CODE	Q.TY	DESCRIZIONE	DESCRIPTION	DESCRIPTION	BESCHREIBUNG	REMARK
B1 22110251/0	2	Coprismozzo Bianco	Hub Cap White	Couvre-Moyeu	Radkappe Weiße	
A1 22110252/1	2	Coprismozzo Bianco	Hub Cap White	Couvre-Moyeu	Radkappe Weiße	
B1 22110253/0	2	Coprismozzo Giallo	Hub Cap Yellow	Couvre-Moyeu	Radkappe Gelbe	
A1 22110254/1	2	Coprismozzo Giallo	Hub Cap Yellow	Couvre-Moyeu	Radkappe Gelbe	
A1 22110255/1	2	Coprismozzo Rosso	Hub Cap Red	Couvre-Moyeu	Radkappe Rote	
B1 22110256/0	2	Coprismozzo Rosso	Hub Cap Red	Couvre-Moyeu	Radkappe Rote	
A1 22110381/0	2	Coprismozzo Grigio	Hub Cap Grey	Couvre-Moyeu Gris	Radkappe Grau	
B1 22110382/0	2	Coprismozzo Grigio	Hub Cap Grey	Couvre-Moyeu Gris	Radkappe Grau	
B2 22110313/0	2	Coprismozzo Bianco	Hub Cap White	Couvre-Moyeu	Radkappe Weiße	
B2 22110314/0	2	Coprismozzo Grigio	Hub Cap Grey	Couvre-Moyeu Gris	Radkappe Grau	
A2 22110344/0	2	Coprismozzo Bianco	Hub Cap White	Couvre-Moyeu	Radkappe Weiße	
A2 22110395/0	2	Coprismozzo Grigio	Hub Cap Grey	Couvre-Moyeu Gris	Radkappe Grau	
A3 22110347/0	2	Coprismozzo Grigio	Hub Cap Grey	Couvre-Moyeu Gris	Radkappe Grau	
B3 22110348/0	2	Coprismozzo Grigio	Hub Cap Grey	Couvre-Moyeu Gris	Radkappe Grau	
A4 22110381/0	2	Coprismozzo Grigio	Hub Cap Grey	Couvre-Moyeu Gris	Radkappe Grau	
B4 22110382/0	2	Coprismozzo Grigio	Hub Cap Grey	Couvre-Moyeu Gris	Radkappe Grau	
A5 22110416/0	2	Coprismozzo Grigio	Hub Cap Grey	Couvre-Moyeu Gris	Radkappe Grau	
B5 22110417/0	2	Coprismozzo Grigio	Hub Cap Grey	Couvre-Moyeu Gris	Radkappe Grau	
A6 22110491/0	2	Coprismozzo Grigio	Hub Cap Grey	Couvre-Moyeu Gris	Radkappe Grau	
B6 22110492/0	2	Coprismozzo Grigio	Hub Cap Grey	Couvre-Moyeu Gris	Radkappe Grau	
A7 22110493/0	2	Coprismozzo Grigio	Hub Cap Grey	Couvre-Moyeu Gris	Radkappe Grau	
B7 22110494/0	2	Coprismozzo Grigio	Hub Cap Grey	Couvre-Moyeu Gris	Radkappe Grau	
A8 22110495/0	2	Coprismozzo Grigio	Hub Cap Grey	Couvre-Moyeu Gris	Radkappe Grau	
B8 22110496/0	2	Coprismozzo Grigio	Hub Cap Grey	Couvre-Moyeu Gris	Radkappe Grau	



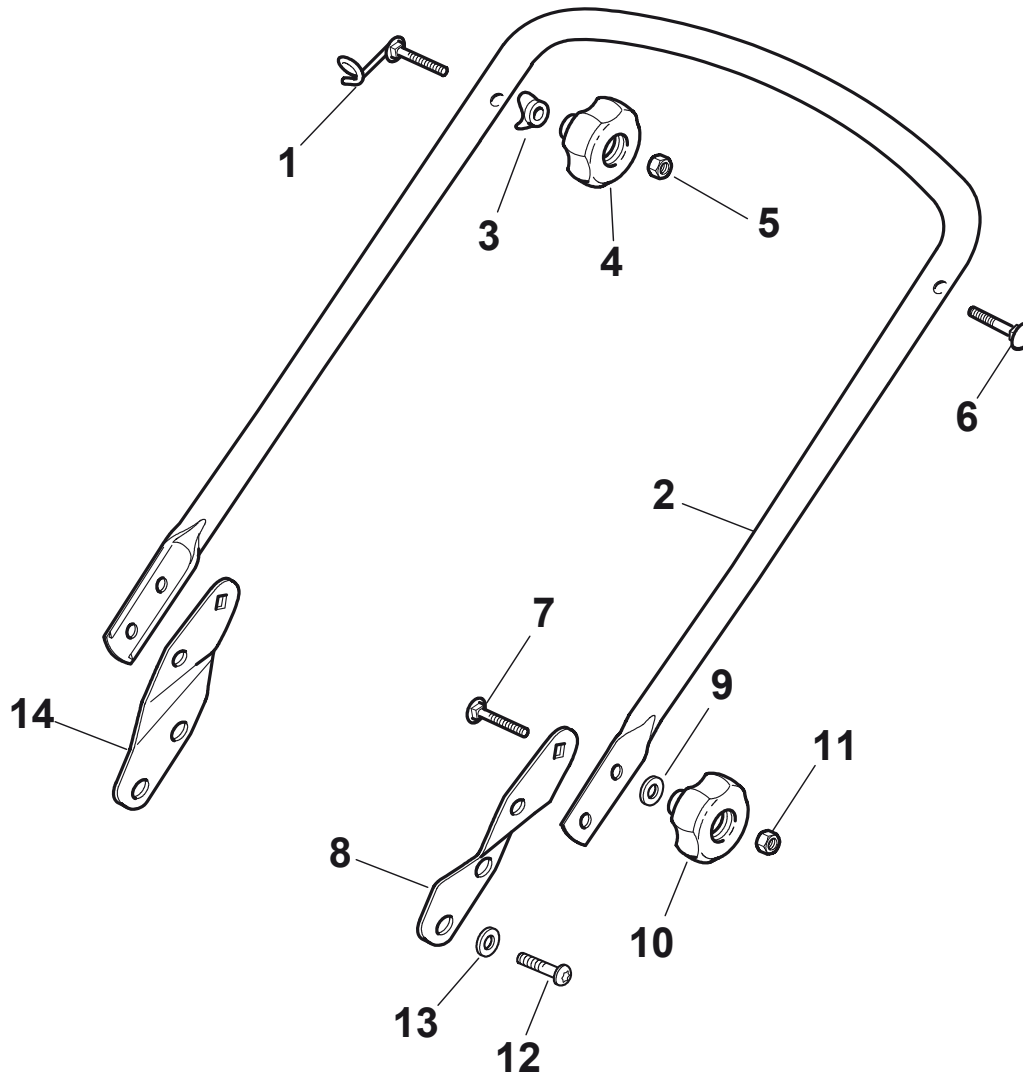
N.	CODE	Q.TY	DESCRIZIONE	DESCRIPTION	DESCRIPTION	BESCHREIBUNG	REMARK
1	81002538/0	1	Chassis Rosso	Deck Red	Châssis Rouge	Gehäuse Rot	
2	22131750/0	2	Dado	Nut	Ecrou	Mutter	
3	22735557/0	2	Settore Di Regolazione	Sector, Height Adjustment	Secteur Reglage	Sektor, Höhenverstellung	
4	81003306/0	2	Leva Regolazione Altezza	Lever, Height Adjustment	Levier Reglage Hauteur	Hebel, Höhenverstellung	
5	322600170/0	2	Prot. Ruote	Protection, Wheel	Protection Roue	Schütz, Räder	
6	22524324/0	2	Perno	Pin	Pivot	Bolzen	
7	12155000/0	2	Dado	Nut	Ecrou	Mutter	
8	25670011/0	2	Rosetta	Washer	Rondelle	Scheibe	
13	22120109/0	2	Corona Trascinamento	Ring Gear	Couronne	Kranz	
14	22170622/0	2	Rosetta Elastica	Elastic Washer	Rondelle Elastique	Elastische Scheibe	
21	22033393/0	1	Asse Ruote Posteriori	Axle, Rear Wheels	Axe Roues Arriere	Achse, Hinterrad	
22	12530150/0	2	Rosetta Elastica	Elastic Washer	Rondelle Elastique	Elastische Scheibe	



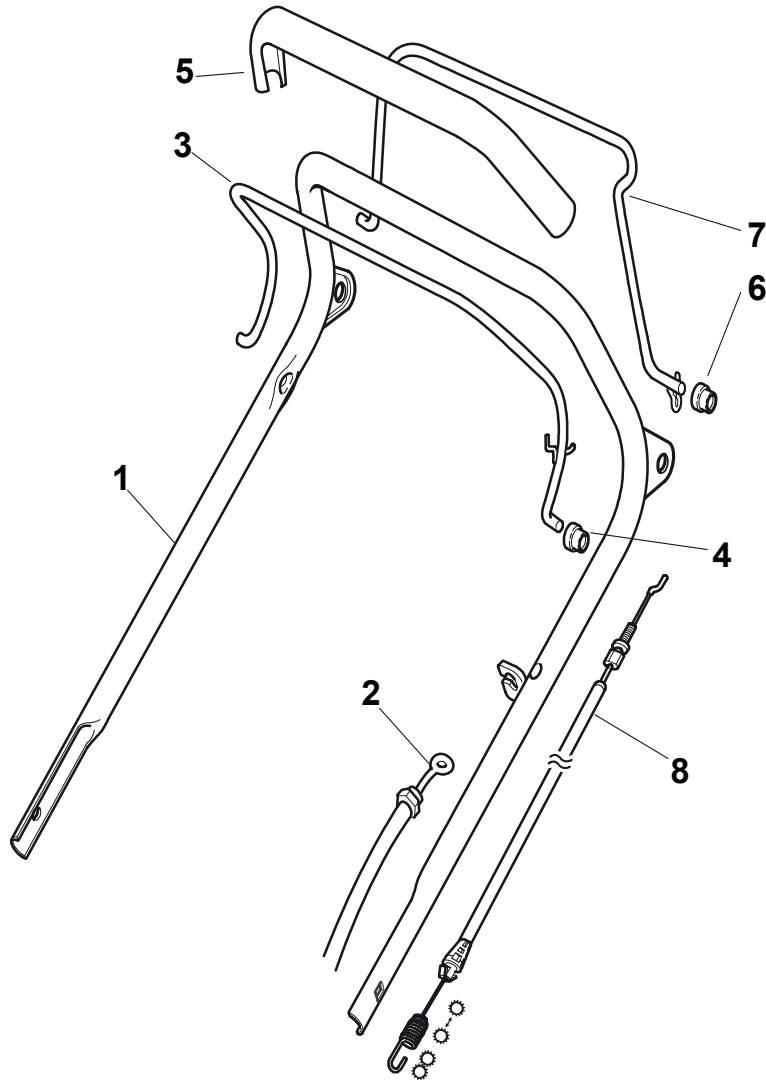
N.	CODE	Q.TY	DESCRIZIONE	DESCRIPTION	DESCRIPTION	BESCHREIBUNG	REMARK
1	12760605/0	4	Vite	Screw	Vis	Schraube	
2	12521350/0	4	Rosetta	Washer	Rondelle	Scheibe	
3	81006570/0	1	Manico, Parte Inf	Handle, Lower Part	Mancheron, Partie Inf.	Holm, Unterteil	
4	81003801/1	1	Molla Guida	Spring	Ressort	Feder	
5	22680006/1	2	Rosetta	Washer	Rondelle	Scheibe	
6	322399804/1	2	Manopolina	Knob	Poignée	Griff	
7	12293200/0	2	Dado	Nut	Ecrou	Mutter	
8	12819201/0	1	Vite	Screw	Vis	Schraube	
9	81008648/1	1	Dotazione Viteria	Outfit, Screws	Dotation Visserie	Satz, Schrauben	



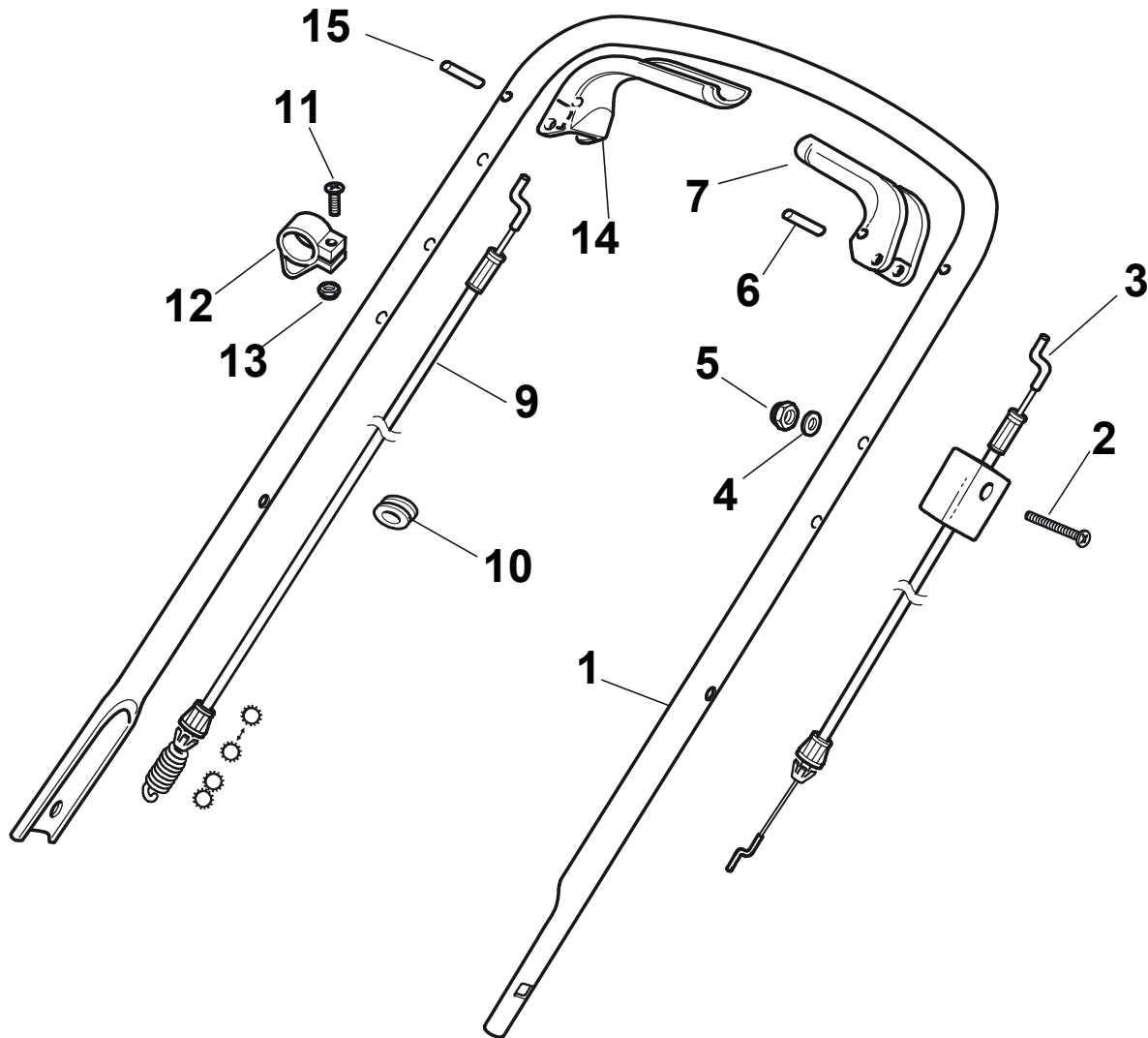
N.	CODE	Q.TY	DESCRIZIONE	DESCRIPTION	DESCRIPTION	BESCHREIBUNG	REMARK
1	81003801/1	1	Molla Guida	Spring	Ressort	Feder	464 - 534
1	81003801/1	1	Molla Guida	Spring	Ressort	Feder	
2	81006576/0	1	Manico, Parte Inf	Handle, Lower Part	Mancheron, Partie Inf.	Holm, Unterteil	
2	81006576/0	1	Manico, Parte Inf	Handle, Lower Part	Mancheron, Partie Inf.	Holm, Unterteil	464
3	22680006/1	2	Rosetta	Washer	Rondelle	Scheibe	
3	22680006/1	2	Rosetta	Washer	Rondelle	Scheibe	464 - 534
4	322399804/1	2	Manopolina	Knob	Poignée	Griff	464 - 534
4	322399804/1	2	Manopolina	Knob	Poignée	Griff	
5	12293200/0	2	Dado	Nut	Ecrou	Mutter	464 - 534
5	12293200/0	2	Dado	Nut	Ecrou	Mutter	
6	12819201/0	1	Vite	Screw	Vis	Schraube	
6	12819201/0	1	Vite	Screw	Vis	Schraube	464 - 534
7	12818900/0	2	Vite	Screw	Vis	Schraube	
7	12818900/0	2	Vite	Screw	Vis	Schraube	464 - 534
8	22778425/0	1	Staffa Sx	Bracket, L	Bride G	Pratze, Linke	
8	22778425/0	1	Staffa Sx	Bracket, L	Bride G	Pratze, Linke	464 - 534
9	22671653/0	2	Rosetta	Washer	Rondelle	Scheibe	
9	22671653/0	2	Rosetta	Washer	Rondelle	Scheibe	464 - 534
10	322399804/1	2	Manopolina	Knob	Poignée	Griff	
10	322399804/1	2	Manopolina	Knob	Poignée	Griff	464 - 534
11	12293200/0	2	Dado	Nut	Ecrou	Mutter	
11	12293200/0	2	Dado	Nut	Ecrou	Mutter	464 - 534
12	12760605/0	4	Vite	Screw	Vis	Schraube	464 - 534
12	12760605/0	4	Vite	Screw	Vis	Schraube	
13	12521350/0	4	Rosetta	Washer	Rondelle	Scheibe	464 - 534
13	12521350/0	4	Rosetta	Washer	Rondelle	Scheibe	
14	22778423/0	1	Staffa Dx	Bracket, R	Bride D	Pratze, Rechte	



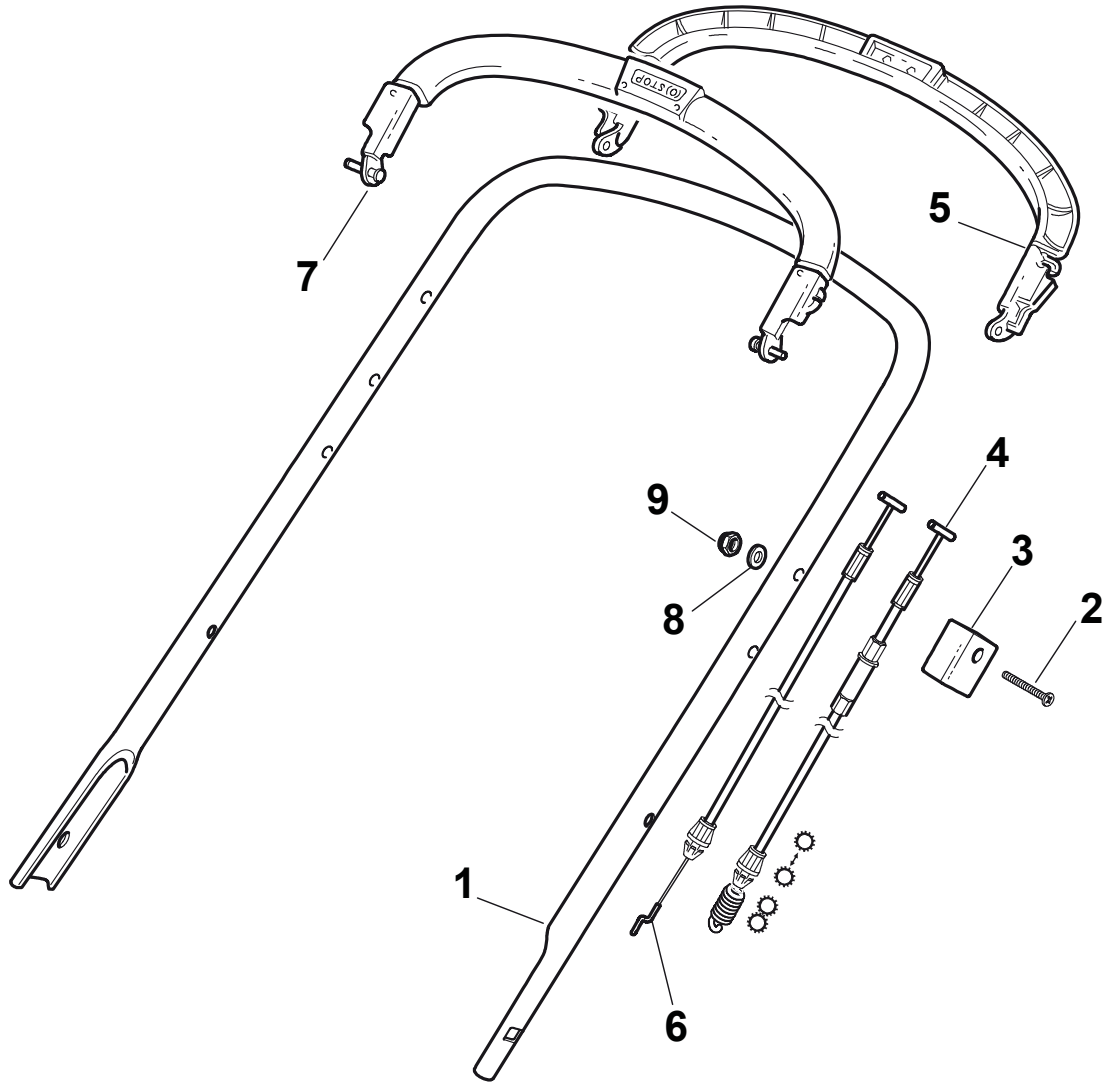
N. CODE	Q.TY	DESCRIZIONE	DESCRIPTION	DESCRIPTION	BESCHREIBUNG	REMARK	
14	22778423/0	1	Staffa Dx	Bracket, R	Bride D	Pratze, Rechte	464 - 534



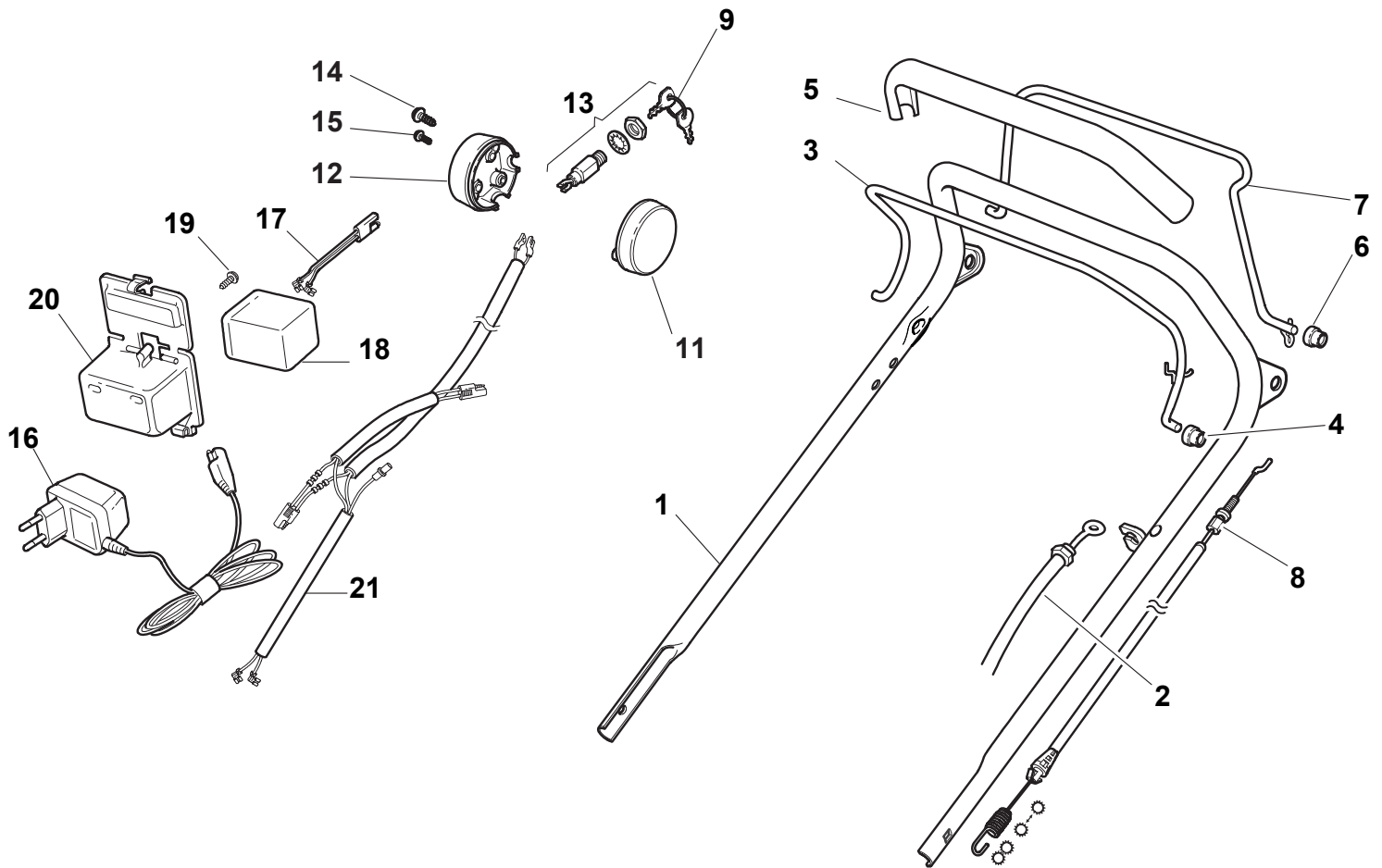
N.	CODE	Q.TY	DESCRIZIONE	DESCRIPTION	DESCRIPTION	BESCHREIBUNG	REMARK
1	81007024/0	1	Manico, Parte Sup	Handle, Upper Part	Mancheron, Partie Superieure	Holm, Oberteil	
2	81000616/1	1	Cavo Freno Motore	Cable, Thread Engine Brake	Cable Frein Moteur	Kabel, Motorbremse	464 (Ggp 160cc)
2	81000616/1	1	Cavo Freno Motore	Cable, Thread Engine Brake	Cable Frein Moteur	Kabel, Motorbremse	464 (Honda Gcv 135-160)
2	81000616/1	1	Cavo Freno Motore	Cable, Thread Engine Brake	Cable Frein Moteur	Kabel, Motorbremse	464 (Ggp 140cc)
2	81000616/1	1	Cavo Freno Motore	Cable, Thread Engine Brake	Cable Frein Moteur	Kabel, Motorbremse	464 (B&S 625-675 Series)
2	81000616/1	1	Cavo Freno Motore	Cable, Thread Engine Brake	Cable Frein Moteur	Kabel, Motorbremse	464 (B&S 450-500 Series)
2	81000622/2	1	Cavo Freno Motore	Cable, Thread Engine Brake	Cable Frein Moteur	Kabel, Motorbremse	464 (Ggp 150cc)
3	81003291/3	1	Leva Freno Motore	Lever, Engine Brake	Levier Frein Moteur	Hebel, Motorbremse	
4	22041966/0	2	Bussola	Bush	Douille	Buchse	
5	22291050/0	1	Impugnatura Manico Nera	Handgrip Black	Poignée Noire	Handgriff Schwarz	
6	22041965/1	2	Bussola	Bush	Douille	Buchse	
7	81003288/1	1	Leva Trazione	Lever, Driving	Levier Traction	Hebel, Antrieb	
8	381000778/0	1	Cavo Comando Trazione	Cable, Rear Drive	Câble, Comma. Traction	Kabel, Antrieb	



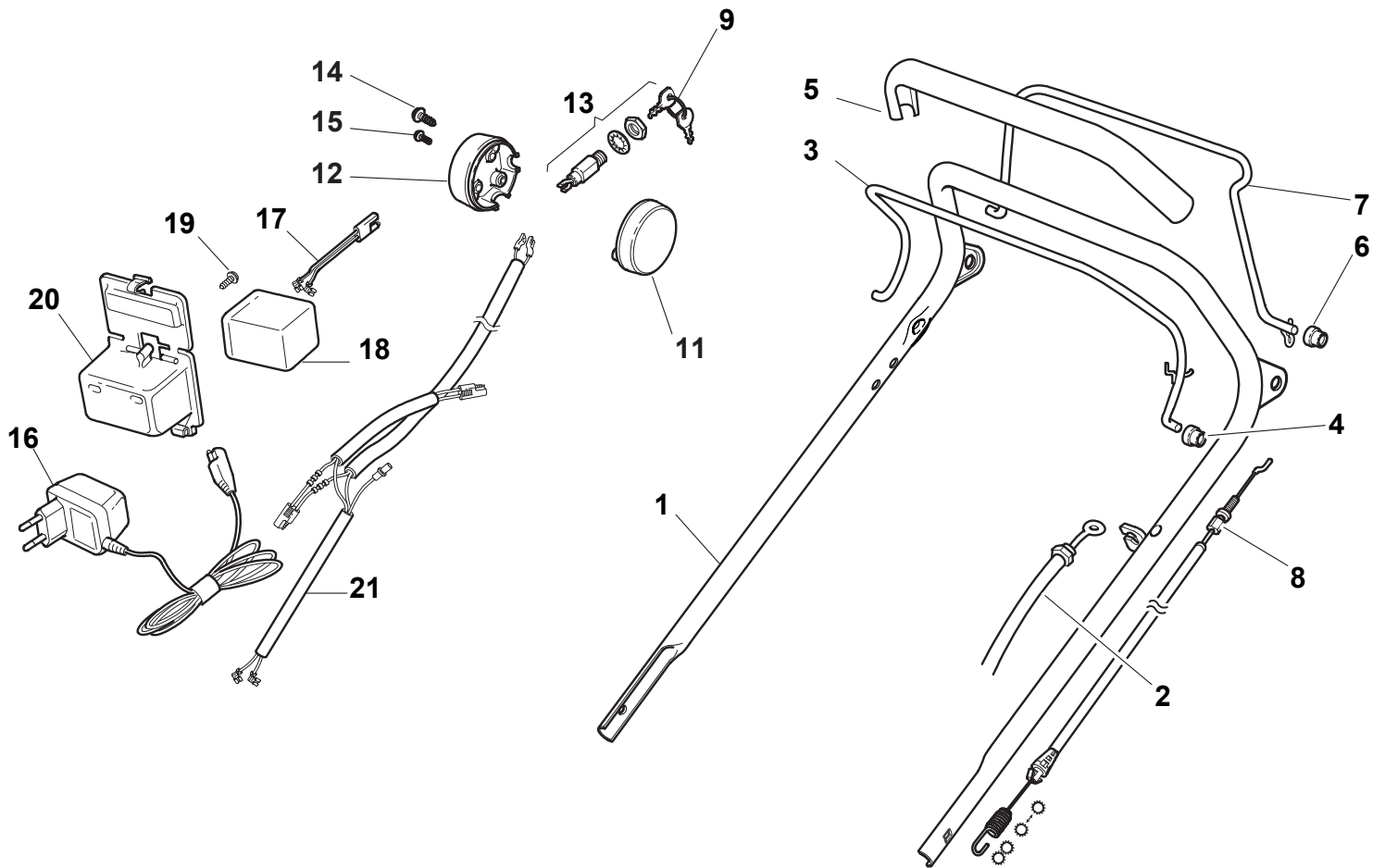
N.	CODE	Q.TY	DESCRIZIONE	DESCRIPTION	DESCRIPTION	BESCHREIBUNG	REMARK
1	81006577/0	1	Manico, Parte Sup	Handle, Upper Part	Mancheron, Partie Sup.	Holm, Oberteil	
2	12674700/0	1	Vite	Screw	Vis	Schraube	
3	181000617/0	1	Cavo Freno Motore	Cable, Thread Eng. Brake	Cable Frein Moteur	Kabel, Motorbremse	464 (B&S 625-675 Series)
3	81000612/0	1	Cavo Freno Motore	Cable, Thread Eng. Brake	Cable Frein Moteur	Kabel, Motorbremse	464 (Ggp 150cc)
3	81000655/0	1	Cavo Freno Motore	Cable, Thread Eng. Brake	Cable Frein Moteur	Kabel, Motorbremse	464 (B&S 450-500 Series)
3	81000655/0	1	Cavo Freno Motore	Cable, Thread Eng. Brake	Cable Frein Moteur	Kabel, Motorbremse	464 (Honda Gcv 135-160-190)
4	12521330/0	1	Rosetta	Washer	Rondelle	Scheibe	
5	12292100/0	1	Dado	Nut	Ecrou	Mutter	
6	12645710/0	1	Spina	Pin	Goupille	Stift	
7	322321700/1	1	Leva Freno Motore	Lever, Eng. Brake	Levier Frein Moteur	Hebel, Motorbremse	
9	81000654/0	1	Cavo Comando Trazione	Cable, Rear Drive	Câble, Comm. Traction	Kabel, Antrieb	
10	18564520/1	1	Passacavo	Fair Lead	Passe Cable	Kabeldurchgang	
11	12769616/0	1	Vite	Screw	Vis	Schraube	
12	22806521/0	1	Fascetta	Clamp	Collier	Bowdenzughalter	
13	12292100/0	1	Dado	Nut	Ecrou	Mutter	
14	22321701/0	1	Leva Trazione	Driving Lever	Levier Traction	Antriebhebel	
15	12645710/0	1	Spina	Pin	Goupille	Stift	



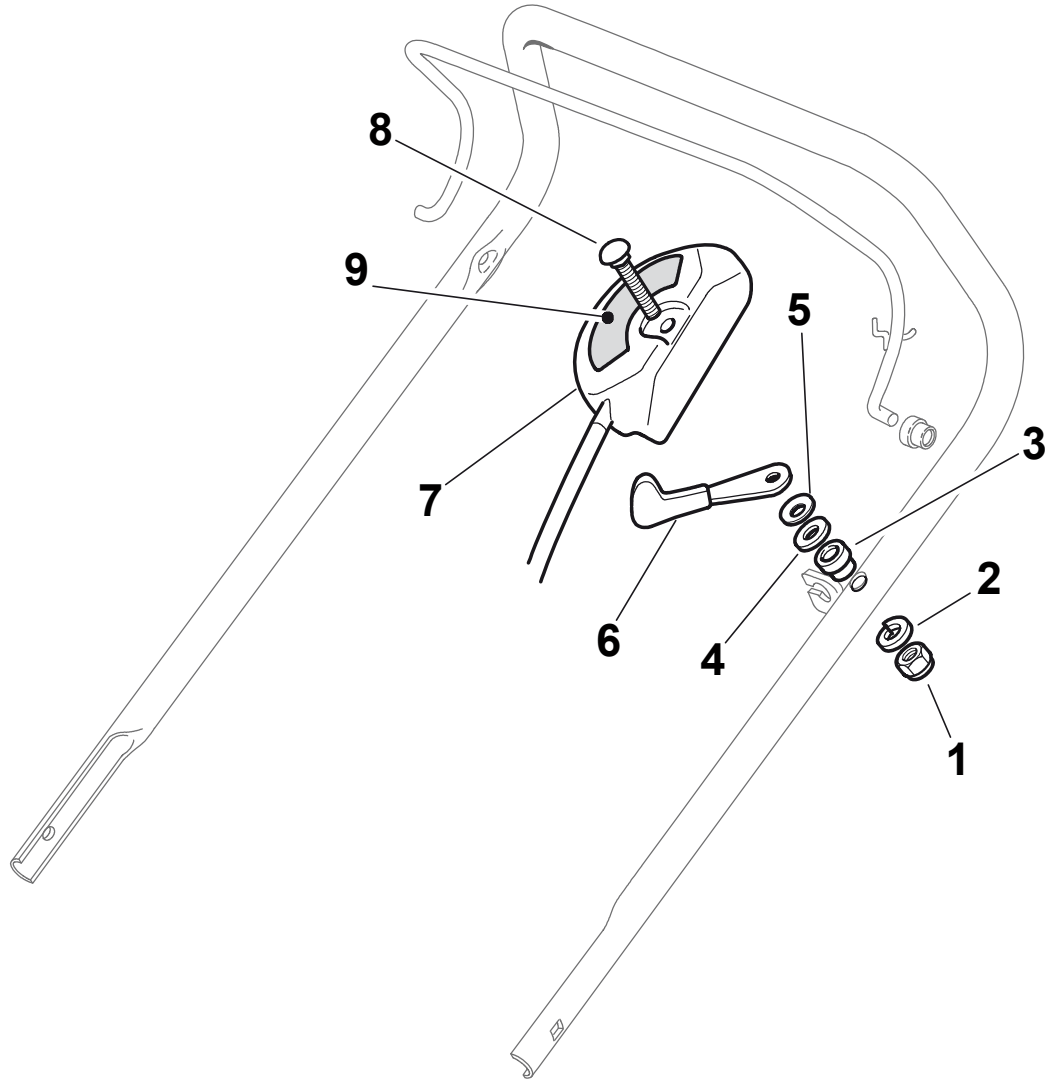
N.	CODE	Q.TY	DESCRIZIONE	DESCRIPTION	DESCRIPTION	BESCHREIBUNG	REMARK
1	381006579/1	1	Manico, Parte Sup	Handle, Upper Part	Mancheron, Partie Sup.	Holm, Oberteil	
2	12689500/0	1	Vite	Screw	Vis	Schraube	
3	22551640/0	1	Piastrina	Plate	Plaquette	Plättchen	
4	81000659/0	1	Cavo Comando Trazione	Cable, Rear Drive	Câble, Comm. Traction	Kabel, Antrieb	
5	81003297/1	1	Leva Trazione	Driving Lever	Levier Traction	Antriebhebel	
6	181030002/0	1	Cavo Freno Motore	Cable, Thread Eng. Brake	Cable Frein Moteur	Kabel, Motorbremse	464 (Ggp 160cc)
6	181030002/0	1	Cavo Freno Motore	Cable, Thread Eng. Brake	Cable Frein Moteur	Kabel, Motorbremse	464 (Ggp 140cc)
6	81000657/0	1	Cavo Freno Motore	Cable, Thread Eng. Brake	Cable Frein Moteur	Kabel, Motorbremse	464 (Honda Gcv 135-160-190)
6	81000657/0	1	Cavo Freno Motore	Cable, Thread Eng. Brake	Cable Frein Moteur	Kabel, Motorbremse	464 (B&S 450-500 Series)
6	81000720/1	1	Cavo Freno Motore	Cable, Thread Eng. Brake	Cable Frein Moteur	Kabel, Motorbremse	464 (B&S 625-675 Series)
6	81000743/0	1	Cavo Freno Motore	Cable, Thread Eng. Brake	Cable Frein Moteur	Kabel, Motorbremse	464 (Ggp 150cc)
7	81003298/1	1	Leva Freno Motore	Lever, Engine Brake	Levier Frein Moteur	Hebel, Motorbremse	
8	12521330/0	1	Rosetta	Washer	Rondelle	Scheibe	
9	12292100/0	1	Dado	Nut	Ecrou	Mutter	



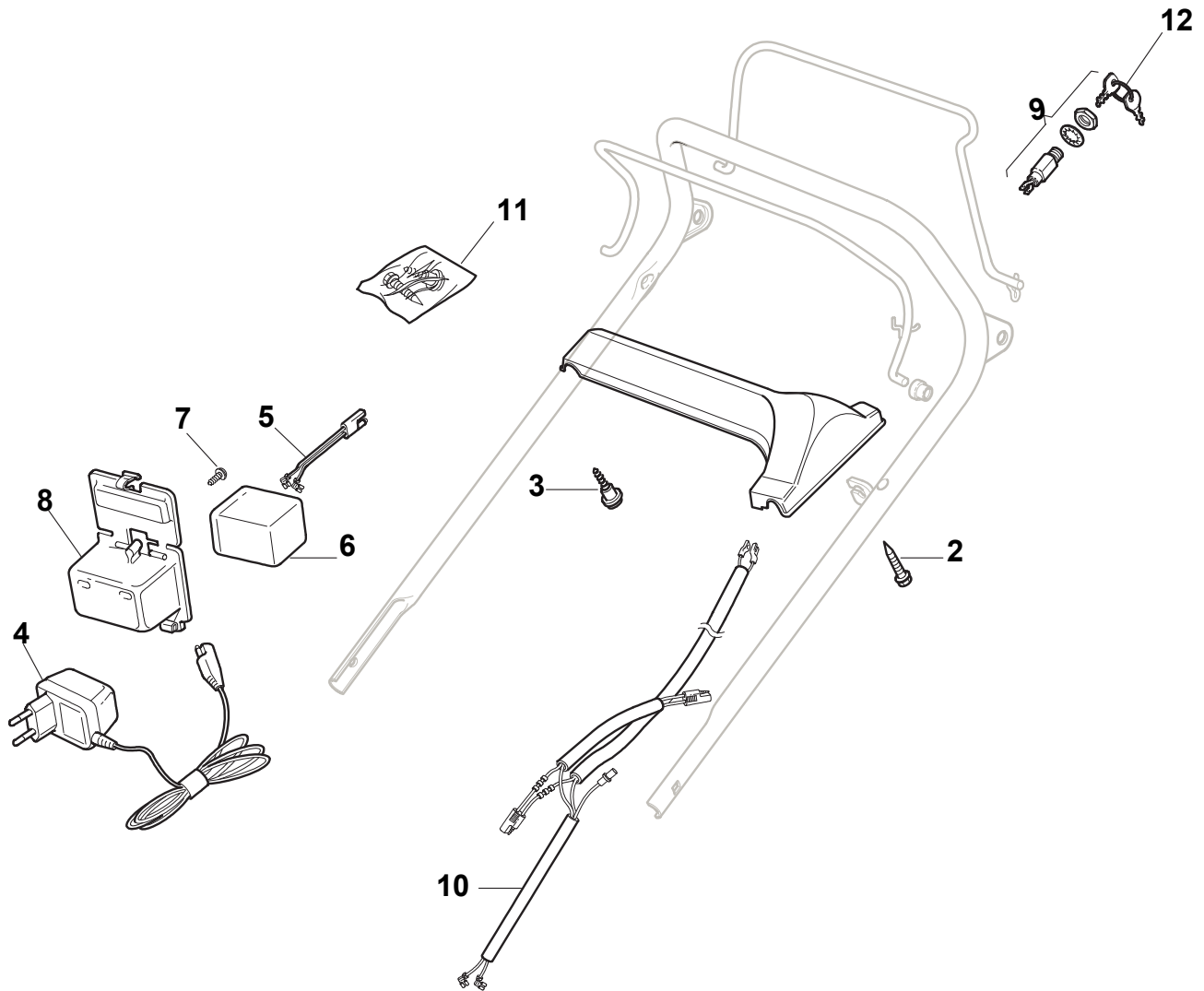
N.	CODE	Q.TY	DESCRIZIONE	DESCRIPTION	DESCRIPTION	BESCHREIBUNG	REMARK
1	81006863/0	1	Manico, Parte Sup	Handle, Upper Part	Mancheron, Partie Superieure	Holm, Oberteil	
2	81000616/1	1	Cavo Freno Motore	Cable, Thread Engine Brake	Cable Frein Moteur	Kabel, Motorbremse	464 (B&S 625-675 Series)
2	81000616/1	1	Cavo Freno Motore	Cable, Thread Engine Brake	Cable Frein Moteur	Kabel, Motorbremse	464 (GGP 140cc)
2	81000616/1	1	Cavo Freno Motore	Cable, Thread Engine Brake	Cable Frein Moteur	Kabel, Motorbremse	464 (GGP 160cc)
2	81000616/1	1	Cavo Freno Motore	Cable, Thread Engine Brake	Cable Frein Moteur	Kabel, Motorbremse	464 (Honda Gcv 135-160)
2	81000622/2	1	Cavo Freno Motore	Cable, Thread Engine Brake	Cable Frein Moteur	Kabel, Motorbremse	464 (GGP 150cc)
3	81003291/3	1	Leva Freno Motore	Lever, Engine Brake	Levier Frein Moteur	Hebel, Motorbremse	
4	22041966/0	2	Bussola	Bush	Douille	Buchse	
5	22291050/0	1	Impugnatura Manico Nera	Handgrip Black	Poignée Noire	Handgriff Schwarz	
6	22041965/1	2	Bussola	Bush	Douille	Buchse	
7	81003288/1	1	Leva Trazione	Lever, Driving	Levier Traction	Hebel, Antrieb	
8	381000778/0	1	Cavo Comando Trazione	Cable, Rear Drive	Câble, Comma. Traction	Kabel, Antrieb	
9	18210016/1	1	Chiave Avviamento	Starting Key	Clef A Demarrage	Schlüssel Für Start	
11	22722801/0	1	Protezione Sx	L Protection	Protection G	Linke Schutz	
12	22722800/0	1	Protezione Dx	R Protection	Protection D	Rechte Schutz	
13	18450050/0	1	Interruttore	Switch	Interrupteur	Schalter	
14	12728300/0	2	Vite	Screw	Vis	Schraube	
15	12728691/0	1	Vite	Screw	Vis	Schraube	
16	18204120/0	1	Carica Batteria	Battery Charger	Chargeur De	Ladgerät	(CE)
16	18204121/0	1	Carica Batteria	Battery Charger	Chargeur De	Ladgerät	(UK)
17	122063002/2	1	Cavo Avviamento	Cable, Start	Cable Démarrage	Kabel, Start	
17	18204121/0	1	Carica Batteria	Battery Charger	Chargeur De	Ladgerät	(UK)
18	122063002/2	1	Cavo Avviamento	Cable, Start	Cable Démarrage	Kabel, Start	
18	18120053/0	1	Batteria	Battery	Batterie	Batterie	
19	12728691/0	1	Vite	Screw	Vis	Schraube	
19	18120053/0	1	Batteria	Battery	Batterie	Batterie	



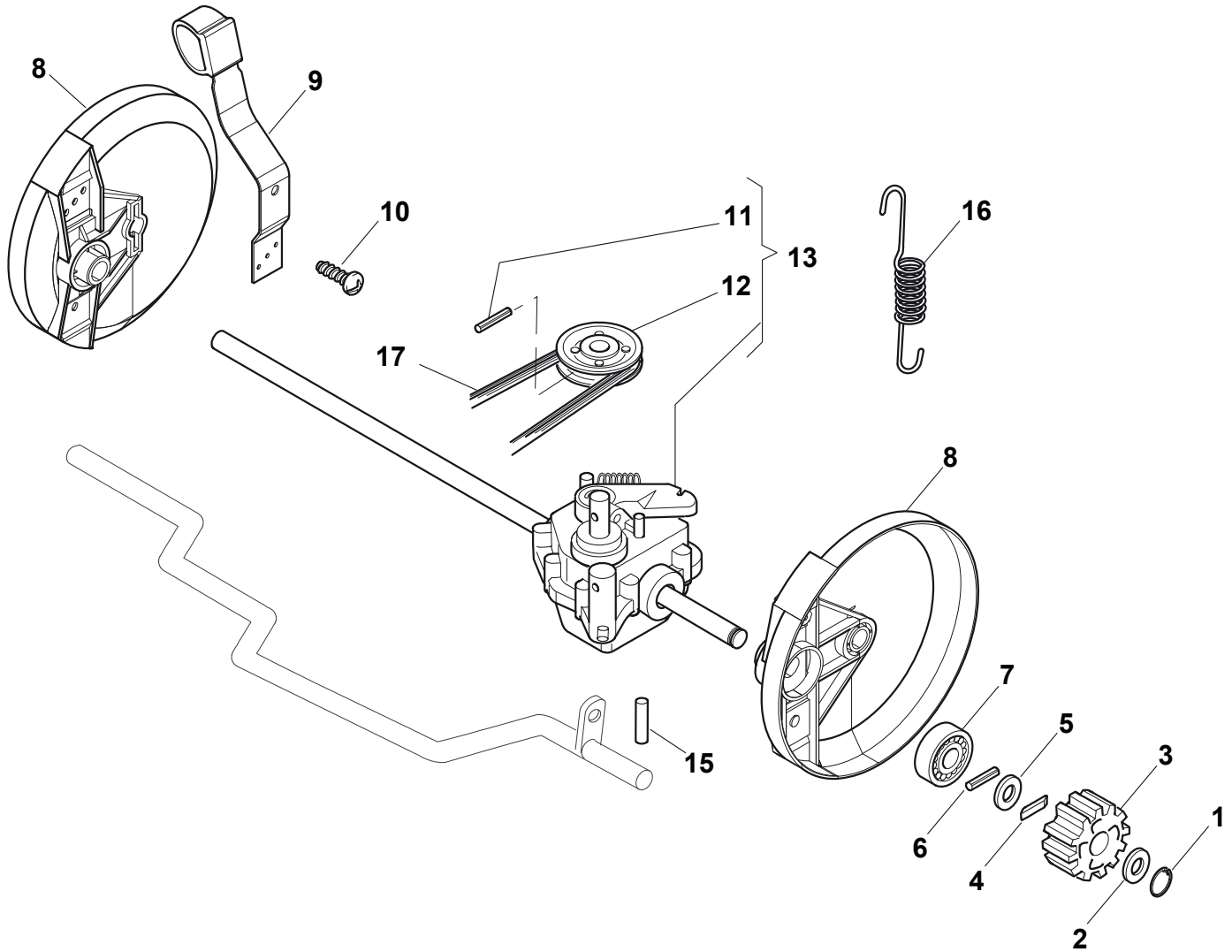
N. CODE	Q.TY	DESCRIZIONE	DESCRIPTION	DESCRIPTION	BESCHREIBUNG	REMARK	
20	12728691/0	1	Vite	Screw	Vis	Schraube	
20	22109533/0	1	Contenitore Batteria	Battery Box	Conteneur De Batterie	Batterie Behälter	
21	18204196/0	1	Cavo Avviamento	Cable, Start	Cable Démarrage	Kabel, Start	
21	22109533/0	1	Contenitore Batteria	Battery Box	Conteneur De Batterie	Batterie Behälter	
22	18204196/0	1	Cavo Avviamento	Cable, Start	Cable Démarrage	Kabel, Start	



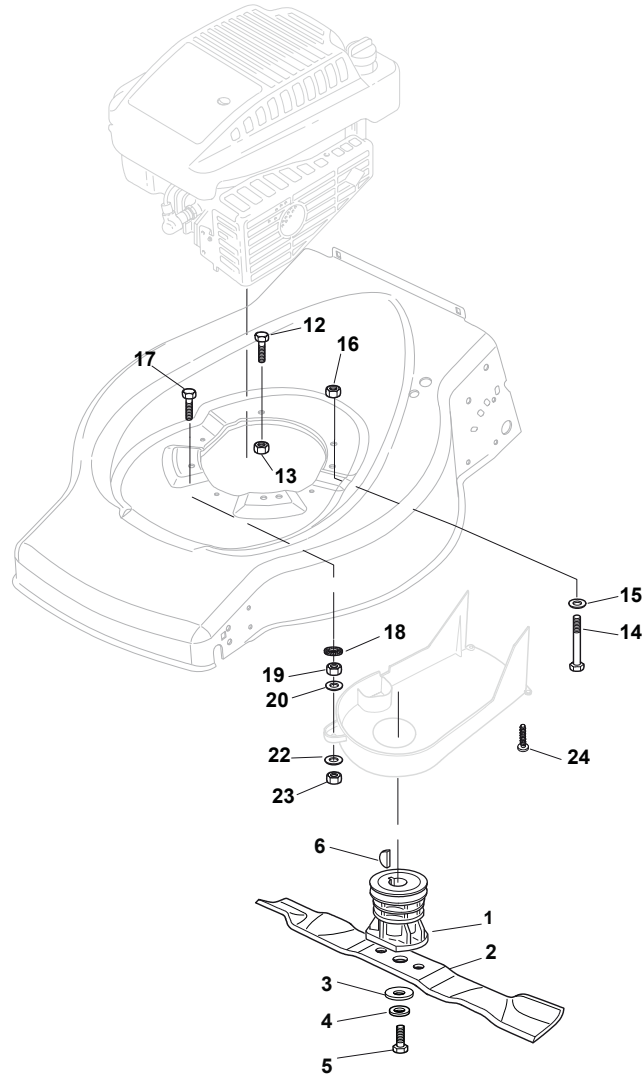
N.	CODE	Q.TY	DESCRIZIONE	DESCRIPTION	DESCRIPTION	BESCHREIBUNG	REMARK
1	12291000/0	1	Dado	Nut	Ecrou	Mutter	
2	12581500/0	1	Grower	Grower	Grower	Federring	
3	22171005/0	1	Distanziale	Spacer	Entretoise	Distanzring	
4	12521360/0	1	Rosetta	Washer	Rondelle	Scheibe	
5	12508100/0	1	Rosetta Elastica	Spring Washer	Rondelle Elastique	Elastische Scheibe	
6	81007220/0	1	Leva, Acceleratore	Lever, Throttle	Levier, Accelérateur	Hebel, Beshleuniger	(B&S 450-500 Series - GGP 150 cc)
6	81007279/1	1	Leva, Acceleratore	Lever, Throttle	Levier, Accelérateur	Hebel, Beshleuniger	(B&S 625-675-700 Series - Honda - GGP 140-160-196 cc)
7	81007080/0	1	Cavo Acceleratore	Throttle Cable	Cable, Accelérateur	Gashebel Kabel	
8	12815000/0	1	Vite	Screw	Vis	Schraube	
9	114356905/0	1	Etichetta	Label	Etiquette	Etikette	(B&S 700 series DOV)
9	114356905/0	1	Etichetta	Label	Etiquette	Etikette	(Honda GCV 160-190 Autochoke)
9	114364264/0	1	Etichetta	Label	Etiquette	Etikette	AVS (GGP 160-196)
9	14356702/0	1	Etichetta	Label	Etiquette	Etikette	(Honda)
9	14356702/0	1	Etichetta	Label	Etiquette	Etikette	(GGP)
9	14356703/0	1	Etichetta	Label	Etiquette	Etikette	(B&S)



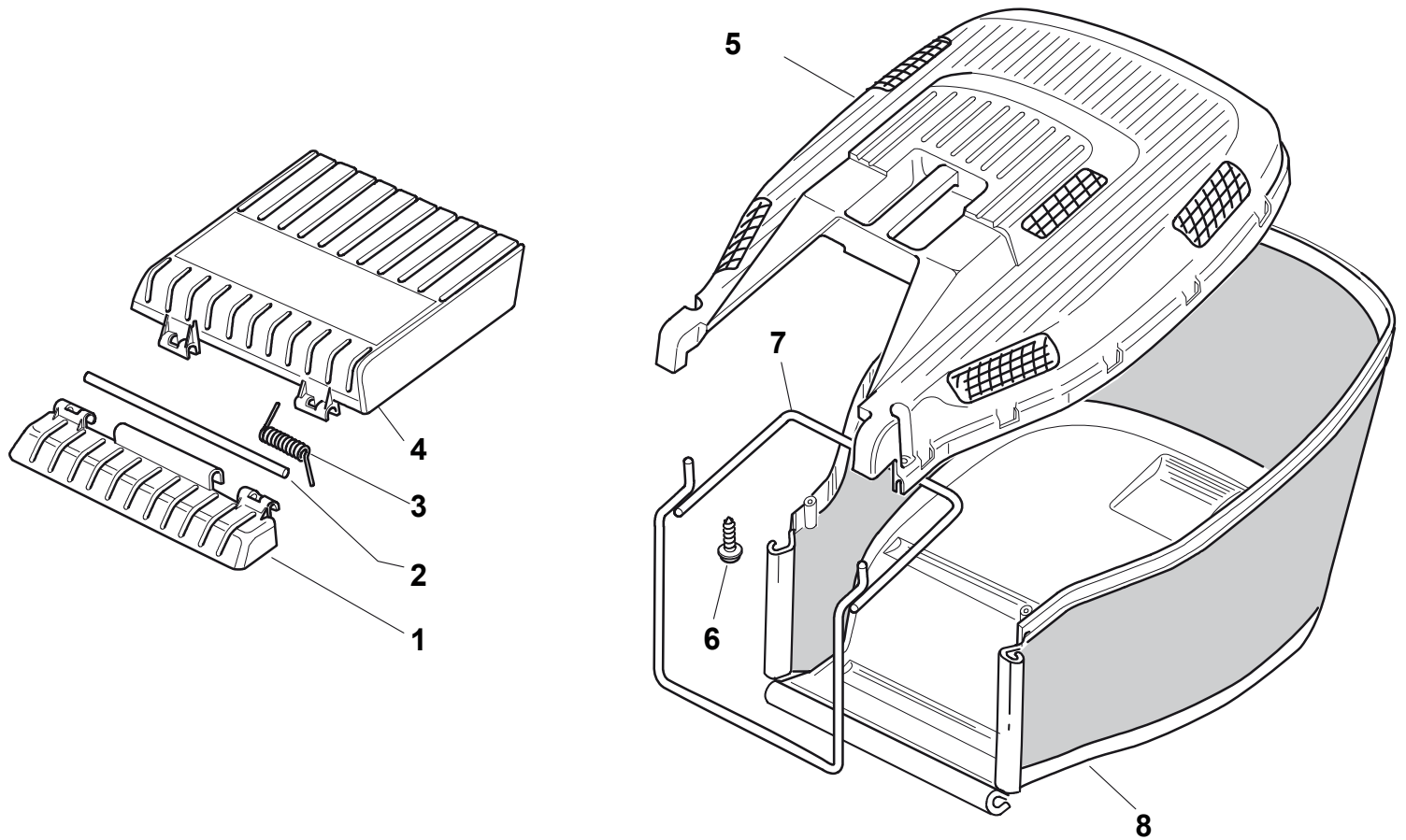
N.	CODE	Q.TY	DESCRIZIONE	DESCRIPTION	DESCRIPTION	BESCHREIBUNG	REMARK
1	22120148/0	1	Cruscotto Giallo	Dash Board Yellow	Console Jaune	Konsole Gelbe	
1	22120150/0	1	Cruscotto Rosso	Dash Board Red	Console Rouge	Konsole Rote	
1	22120164/0	1	Cruscotto Nero	Dash Board Black	Console Noire	Konsole Schwarze	
2	12728460/0	1	Vite	Screw	Vis	Schraube	
3	22943006/0	1	Vite	Screw	Vis	Schraube	
4	18204120/0	1	Carica Batteria	Battery Charger	Chargeur De	Ladgerät	(CE)
4	18204121/0	1	Carica Batteria	Battery Charger	Chargeur De	Ladgerät	(UK)
5	122063002/2	1	Cavo Avviamento	Cable, Start	Cable Démarrage	Kabel, Start	
6	18120053/0	1	Batteria	Battery	Batterie	Batterie	
7	12728691/0	1	Vite	Screw	Vis	Schraube	
8	22109533/0	1	Contenitore Batteria	Battery Box	Conteneur De Batterie	Batterie Behälter	
9	18450050/0	1	Interruttore	Switch	Interrupteur	Schalter	
10	118204192/3	1	Cavo Avviamento	Cable, Start	Cable Démarrage	Kabel, Start	
11	81008609/0	1	Dotazione Viteria Cruscotto	Outfit, Dash-Board Screws	Dotation Visserie Console	Satz, Konsole Schrauben	
12	18210016/1	1	Chiave Avviamento	Starting Key	Clef A Demarrage	Schlüssel Für Start	



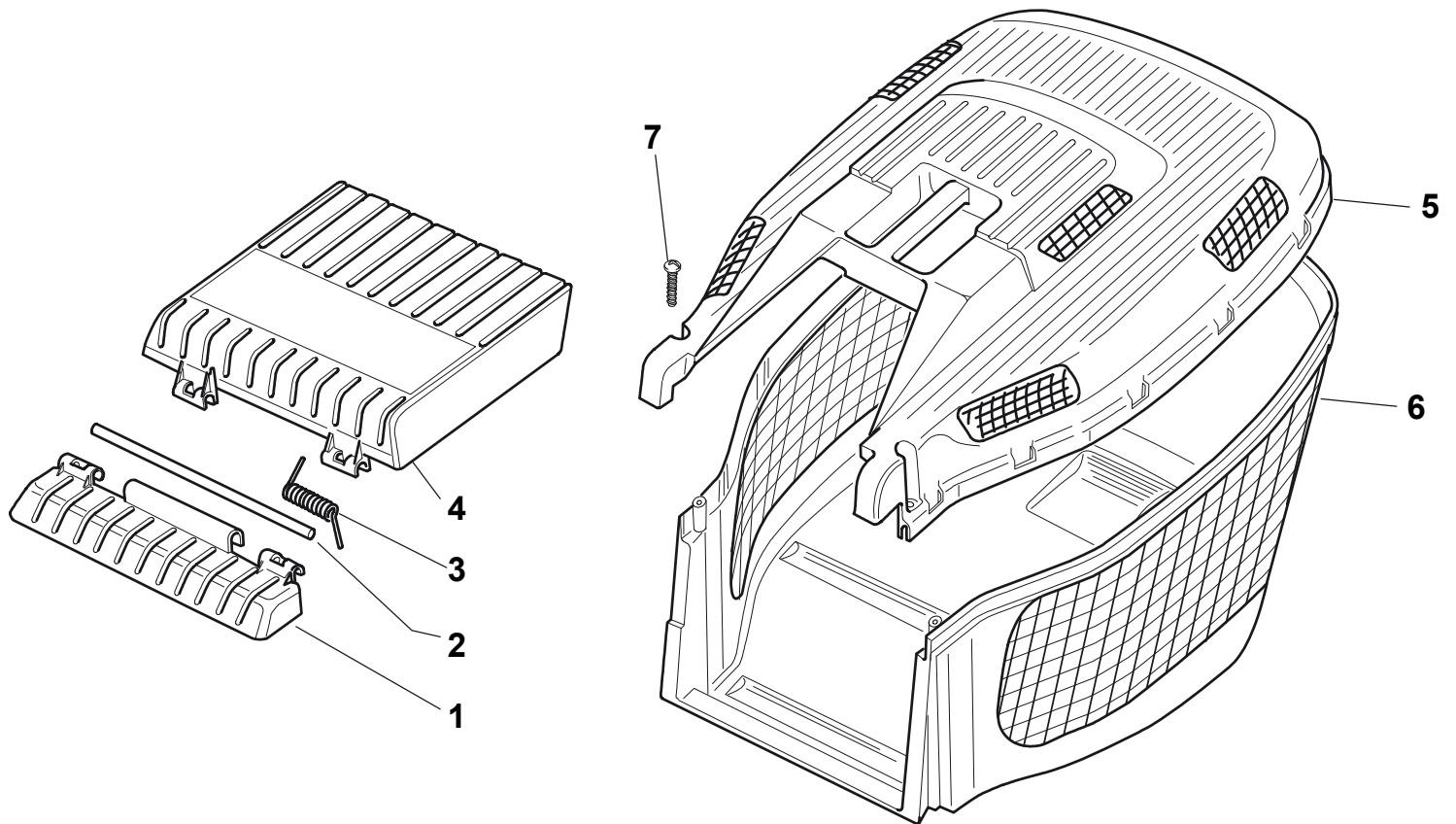
N.	CODE	Q.TY	DESCRIZIONE	DESCRIPTION	DESCRIPTION	BESCHREIBUNG	REMARK
1	12608520/0	2	Seeger	Seeger	Seeger	Seeger	
2	22160520/0	2	Disco Parapolvere	Dust Cover	Protege-Poussiere	Staubschuttscheibe	
3	22570125/0	2	Pignone	Pinion	Pignon	Ritzel	
4	22076645/0	2	Chiave	Key	Clef	Schlüssel	
5	22160520/0	2	Disco Parapolvere	Dust Cover	Protege-Poussiere	Staubschuttscheibe	
6	12622620/0	2	Spina	Pin	Goupille	Stift	
7	22122202/0	2	Cuscinetto	Bearing	Coussinet	Lager	
8	22600106/1	2	Prot. Ruote	Protection, Wheel	Protection Roue	Schütz, Räder	
9	81003303/0	1	Leva Regolazione Altezza	Lever, Height Adjustment	Levier Reglage Hauteur	Hebel, Höhenverstellung	
10	12728689/0	2	Vite	Screw	Vis	Schraube	
11	12713801/0	1	Grano	Dowel	Grain	Stift	
12	22601909/0	1	Puleggia	Pulley	Poulie	Riemenscheibe	
13	181003093/1	1	Gruppo Trazione	Gear Box	Groupe Traction	Antrieb	
15	22753001/0	2	Spina	Pin	Goupille	Stift	
16	22450438/0	1	Molla	Spring	Ressort	Feder	
17	35063750/0	1	Cinghia	Belt	Courroie	Riemen	



N.	CODE	Q.TY	DESCRIZIONE	DESCRIPTION	DESCRIPTION	BESCHREIBUNG	REMARK
1	122465607/3	1	Mozzo, Albero Motore Ø 22.2	Hub, Crankshaft Ø 22.2	Moyeu, Arbre Moteur Ø 22.2	Halter, Motorwelle Ø 22.2	(B&S - GGP)
1	122465608/2	1	Mozzo, Albero Motore Ø 25	Hub, Crankshaft Ø 25	Moyeu, Arbre Moteur Ø 25	Halter, Motorwelle Ø 25	(Honda)
2	81004365/3	1	Coltello Standard	Blade Standard	Lame Standard	Messer Standard	
3	22160400/0	1	Disco Elastico	Elastic Washer	Rondelle Elastique	Elastischescheibe	
4	12523080/0	1	Rosetta	Washer	Rondelle	Scheibe	
5	12735698/0	1	Vite	Screw	Vis	Schraube	
6	12139100/0	1	Linguetta, Albero Motore Ø 22.2	Feather, Crankshaft Ø 22.2	Clavette, Arbre Moteur Ø 22.2	Keil, Motorwelle Ø 22.2	(B&S - GGP)
6	12139150/0	1	Linguetta, Albero Motore Ø 25	Feather, Crankshaft Ø 25	Clavette, Arbre Moteur Ø 25	Keil, Motorwelle Ø 25	(Honda)
12	12793701/0	2	Vite	Screw	Vis	Schraube	
13	12293201/0	2	Dado	Nut	Ecrou	Mutter	
14	12691800/0	1	Vite	Screw	Vis	Schraube	(B&S Quantum)
15	12521350/0	1	Rosetta	Washer	Rondelle	Scheibe	(B&S Quantum)
16	12155000/0	1	Dado	Nut	Ecrou	Mutter	(B&S Quantum)
17	12691115/0	1	Vite	Screw	Vis	Schraube	(GGP)
17	12775000/0	1	Vite	Screw	Vis	Schraube	(B&S Classic/Sprint/Ls/Lc)
17	12793801/0	1	Vite	Screw	Vis	Schraube	(B&S Quantum)
18	12540060/0	1	Rondella	Washer	Rondelle	Scheibe	
19	12293200/0	1	Dado	Nut	Ecrou	Mutter	
20	22671651/0	1	Rosetta	Washer	Rondelle	Scheibe	
22	25670011/0	1	Rosetta	Washer	Rondelle	Scheibe	
23	12155000/0	1	Dado	Nut	Ecrou	Mutter	
24	12728686/0	2	Vite	Screw	Vis	Schraube	



N.	CODE	Q.TY	DESCRIZIONE	DESCRIPTION	DESCRIPTION	BESCHREIBUNG	REMARK
1	22785136/1	1	Supporto	Support	Support	Halter	
2	22517858/0	1	Perno	Pin	Pivot	Bolzen	
3	22450431/0	1	Molla	Spring	Ressort	Feder	
4	322600099/1	1	Parasassi	Stone-Guard	Pare-Pierres	Prallblech	
5	22486122/0	1	Parte Sup.Sacco	Grassbox Upper Part	Sac, Partie Superieure	Korb Oberteil	
6	12728686/0	2	Vite	Screw	Vis	Schraube	
7	81006419/0	1	Telaio Sacco	Chassis Box	Châssis Bac	Rahmen Sack	
8	81002229/0	1	Sacco, Tela	Box, Fabric	Sac, Toile	Sack, Tuck	



N.	CODE	Q.TY	DESCRIZIONE	DESCRIPTION	DESCRIPTION	BESCHREIBUNG	REMARK
1	22785136/1	1	Supporto	Support	Support	Halter	
2	22517858/0	1	Perno	Pin	Pivot	Bolzen	
3	22450431/0	1	Molla	Spring	Ressort	Feder	
4	322600099/1	1	Parasassi	Stone-Guard	Pare-Pierres	Prallblech	
5	22486122/0	1	Parte Sup.Sacco	Grassbox Upper Part	Sac, Partie Superieure	Korb Oberteil	
6	22486128/0	1	Parte Infer. Sacco	Grassbox Lower Part	Sac, Partie Inferieure	Korb Unterteil	
7	12728686/0	2	Vite	Screw	Vis	Schraube	