

Genuine Spare Parts

DML 504 W TR - DML 504 W TR/E

Catalogo delle parti di ricambio
Spare parts catalogue
Catalogue des pieces de rechange
Ersatzteilkatalog

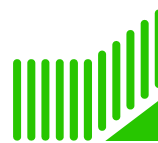
2011

- Use GLOBAL GARDEN PRODUCT Genuine Spare Parts specified in the parts list for repair and/or replacement.
- The contents described in the parts list may change due to improvement.
- The drawings of the spare parts are only indicative and might not represent the part in question exactly.
- The indications "right" - "left" - "front" - "rear" refer to the position of the operator when using the machine.
- When placing orders of parts for repair and/or replacement, make sure that the illustrated parts list is the one applying to the machine's year of manufacture, as shown on the identification plate attached to the machine.

© Copyright 2011 Global Garden Products

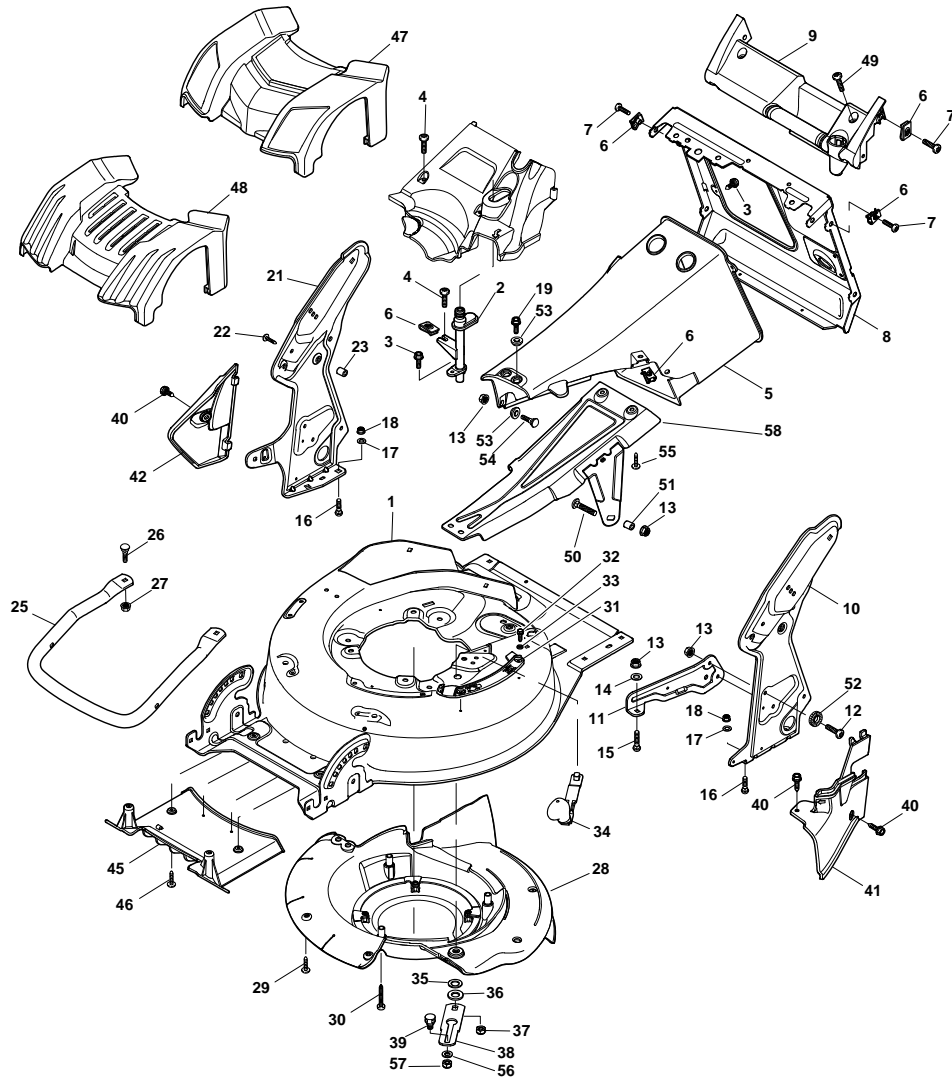
All content is subject to copyright by Global Garden Products and may not be reproduced in whole or in part by any means, electronic or otherwise, without prior written approval.

THIS INFORMATION IS NOT INTENDED FOR SALE OR RESALE, AND THIS NOTICE MUST REMAIN ON ALL COPIES.



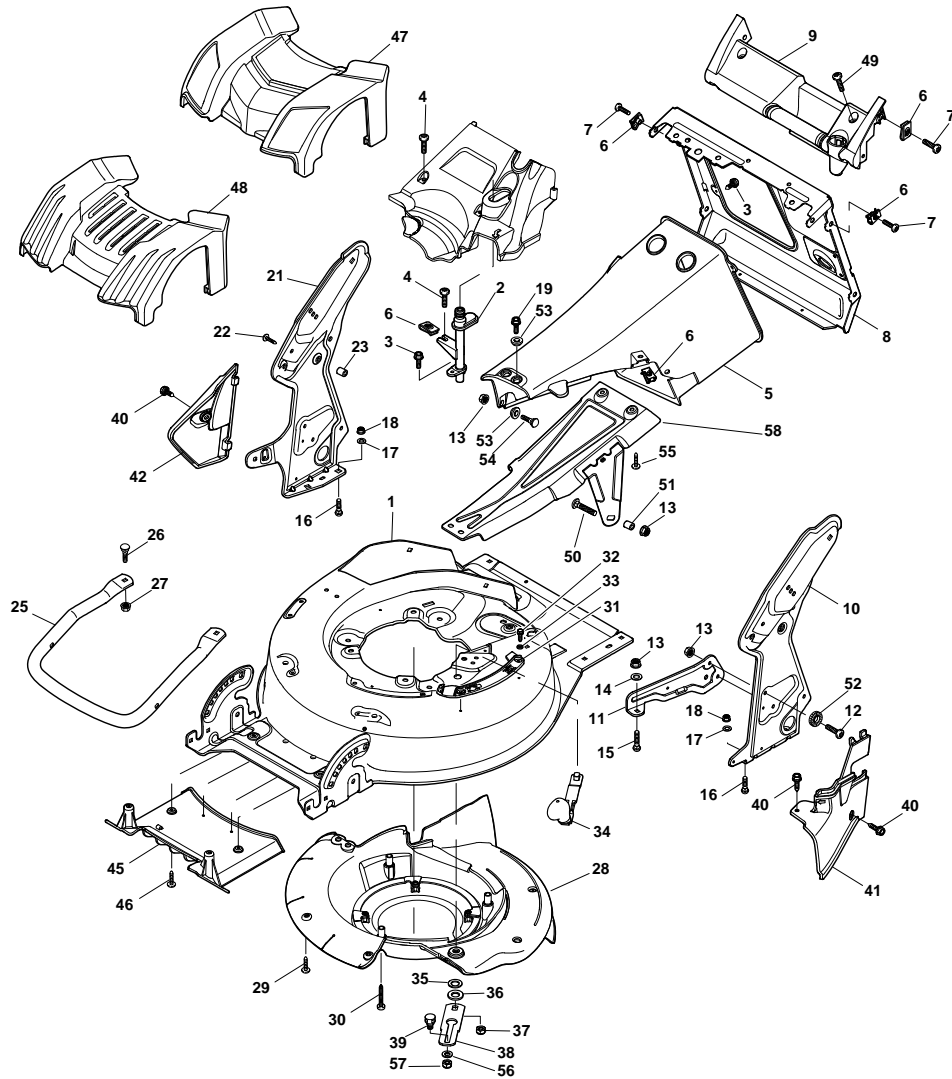
GLOBAL GARDEN PRODUCTS

DML 504 W TR - DML 504 W TR/E



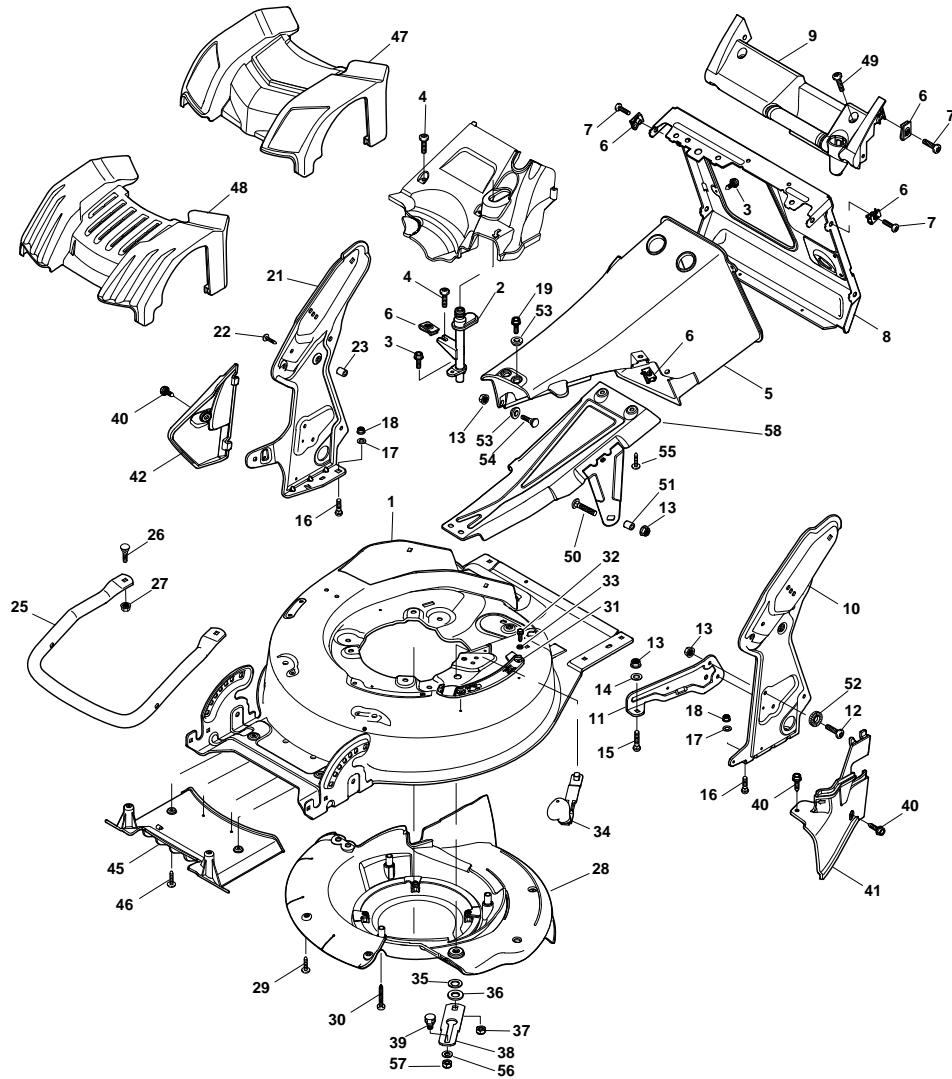
| N. | CODE | Q.TY | DESCRIZIONE | DESCRIPTION | DESCRIPTION | BESCHREIBUNG | REMARK |
|----|-------------|------|------------------------|--------------------|-----------------|--------------------|-----------|
| 1 | 381003865/0 | 1 | Chassis Giallo | Deck Yellow | Châssis Jaune | Gehäuse Gelb | |
| 1 | 381003867/0 | 1 | Chassis Grigio | Deck Grey | Châssis Gris | Gehäuse Grau | |
| 1 | 381003943/0 | 1 | Chassis INOX | Deck INOX | Châssis INOX | Gehäuse INOX | |
| 2 | 322034001/1 | 1 | Attacco Acqua Lavaggio | Washing Connection | Attaque Lavage | Waschenverbindung | |
| 3 | 125943004/0 | 5 | Vite | Screw | Vis | Schraube | |
| 4 | 112727802/0 | 2 | Vite | Screw | Vis | Schraube | |
| 5 | 322108296/0 | 1 | Convogliatore Rosso | Conveyor Red | Convoyeur Rouge | Leitblechsatz Rot | |
| 5 | 322108297/0 | 1 | Convogliatore Giallo | Conveyor Yellow | Convoyeur Jaune | Leitblechsatz Gelb | |
| 6 | 112437507/0 | 12 | Piastrina | Plate | Plaquette | Plättchen | |
| 7 | 112727802/0 | 8 | Vite | Screw | Vis | Schraube | |
| 8 | 381545321/1 | 1 | Piastra Posteriore | Rear Plate | Plaque Arriere | Hintere Platte | |
| 8 | 381545323/1 | 1 | Piastra Posteriore | Rear Plate | Plaque Arriere | Hintere Platte | only TR-E |
| 9 | 322785282/0 | 1 | Supporto | Support | Support | Halter | |
| 10 | 381545333/0 | 1 | Staffa Sx | Bracket, L | Bride G | Pratze, Linke | |
| 11 | 322545191/0 | 1 | Supporto | Support | Support | Halter | |
| 12 | 112727803/0 | 2 | Vite | Screw | Vis | Schraube | |
| 13 | 12154510/0 | 4 | Dado | Nut | Ecrou | Mutter | |
| 14 | 12521330/0 | 1 | Rosetta | Washer | Rondelle | Scheibe | |
| 15 | 12815200/0 | 1 | Vite | Screw | Vis | Schraube | |
| 16 | 12818690/0 | 4 | Vite | Screw | Vis | Schraube | |
| 17 | 12521350/0 | 4 | Rosetta | Washer | Rondelle | Scheibe | |
| 18 | 12155000/0 | 4 | Dado | Nut | Ecrou | Mutter | |
| 19 | 12729601/1 | 2 | Vite | Screw | Vis | Schraube | |
| 21 | 381545331/0 | 1 | Staffa Dx | Bracket, R | Bride D | Pratze, Rechte | |
| 22 | 112735662/1 | 2 | Vite | Screw | Vis | Schraube | |
| 23 | 122534128/0 | 2 | Piolo | Pin | Bondon | Dübel | |
| 25 | 381393701/1 | 2 | Protezione | Protection | Protection | Schutz | |

DML 504 W TR - DML 504 W TR/E



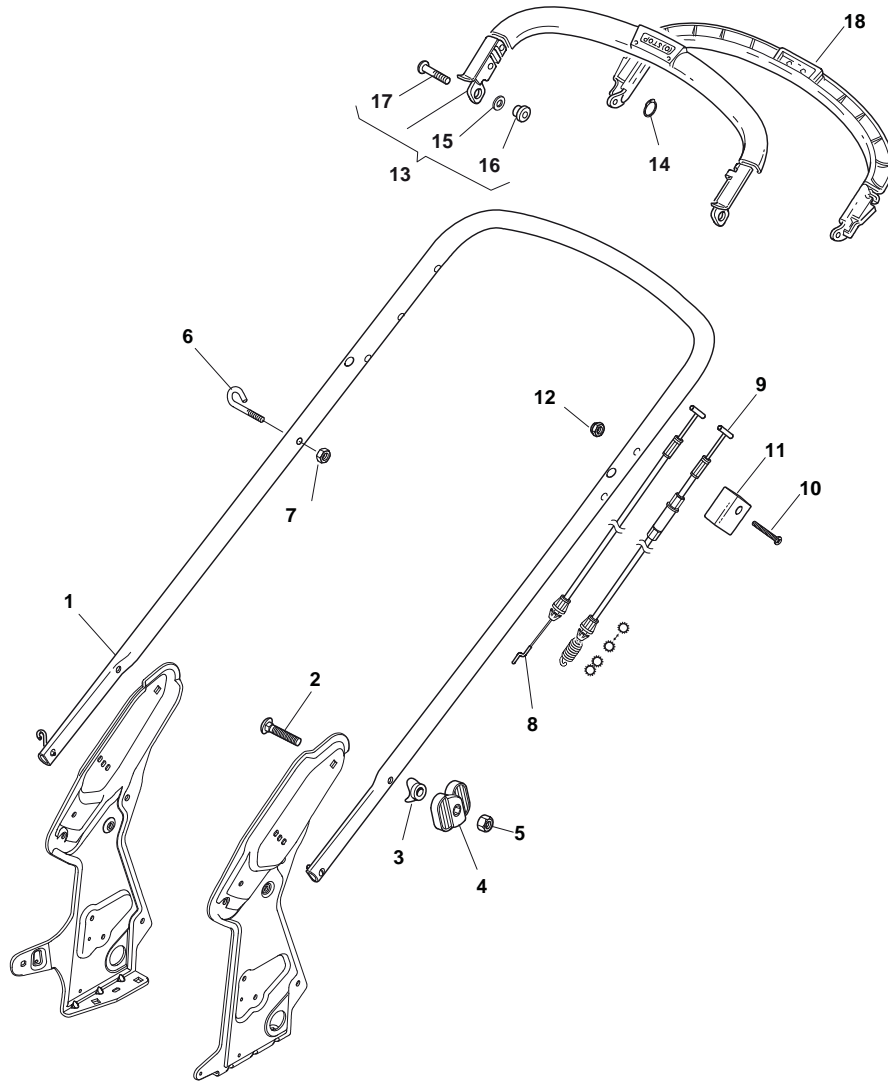
| N. | CODE | Q.TY | DESCRIZIONE | DESCRIPTION | DESCRIPTION | BESCHREIBUNG | REMARK |
|----|-------------|------|---------------------|---------------------|---------------------|-----------------|--------|
| 26 | 12815205/0 | 2 | Vite | Screw | Vis | Schraube | |
| 27 | 12154510/0 | 2 | Dado | Nut | Ecrou | Mutter | |
| 28 | 381102202/0 | 1 | Carter Mulching | Protection Mulching | Protection Mulching | Schutz Mulching | |
| 29 | 125943004/0 | 2 | Vite | Screw | Vis | Schraube | |
| 30 | 112735115/0 | 3 | Vite | Screw | Vis | Schraube | |
| 31 | 322500052/2 | 1 | Pattino | Shoe | Bloc De Glissement | Gleitblock | |
| 32 | 12731580/0 | 2 | Vite | Screw | Vis | Schraube | |
| 33 | 12521331/0 | 2 | Rosetta | Washer | Rondelle | Scheibe | |
| 34 | 381003338/0 | 1 | Leva Comando | Lever | Levier | Hebel | |
| 35 | 21660100/0 | 1 | Rosetta | Washer | Rondelle | Scheibe | |
| 36 | 12521370/0 | 1 | Rondella | Washer | Rondelle | Scheibe | |
| 37 | 12154210/0 | 1 | Dado | Nut | Ecrou | Mutter | |
| 38 | 322320009/0 | 1 | Leva | Lever | Levier | Hebel | |
| 39 | 122042022/0 | 1 | Bussola | Bush | Douille | Buchse | |
| 40 | 125943004/0 | 3 | Vite | Screw | Vis | Schraube | |
| 41 | 322109826/0 | 1 | Carter Nero | Guard Black | Carter Noire | Blech Schwarz | |
| 42 | 322109825/0 | 1 | Carter Nero | Guard Black | Carter Noire | Blech Schwarz | |
| 45 | 322500100/0 | 1 | Griglia Aspirazione | Air Intake Grill | Grille D'Aspiration | Ansauggitter | |
| 46 | 112728706/0 | 6 | Vite | Screw | Vis | Schraube | |
| 47 | 322226134/0 | 1 | Mascherina, Rosso | Mask, Red | Mesque, Rouge | Maske, Rot | |
| 48 | 322226135/0 | 1 | Mascherina, Giallo | Mask, Yellow | Mesque, Jaune | Maske, Gelb | |
| 48 | 322226138/0 | 1 | Mascherina, Grigio | Mask, Grey | Mesque, Gris | Maske, Grau | |
| 49 | 112727801/0 | 2 | Vite | Screw | Vis | Schraube | |
| 50 | 112815270/0 | 2 | Vite | Screw | Vis | Schraube | |
| 51 | 122671664/0 | 2 | Distanziale | Spacer | Entretoise | Distanzring | |
| 52 | 12540040/0 | 2 | Rosetta | Washer | Rondelle | Scheibe | |
| 53 | 325160039/0 | 6 | Distanziale | Spacer | Entretoise | Distanzring | |

DML 504 W TR - DML 504 W TR/E

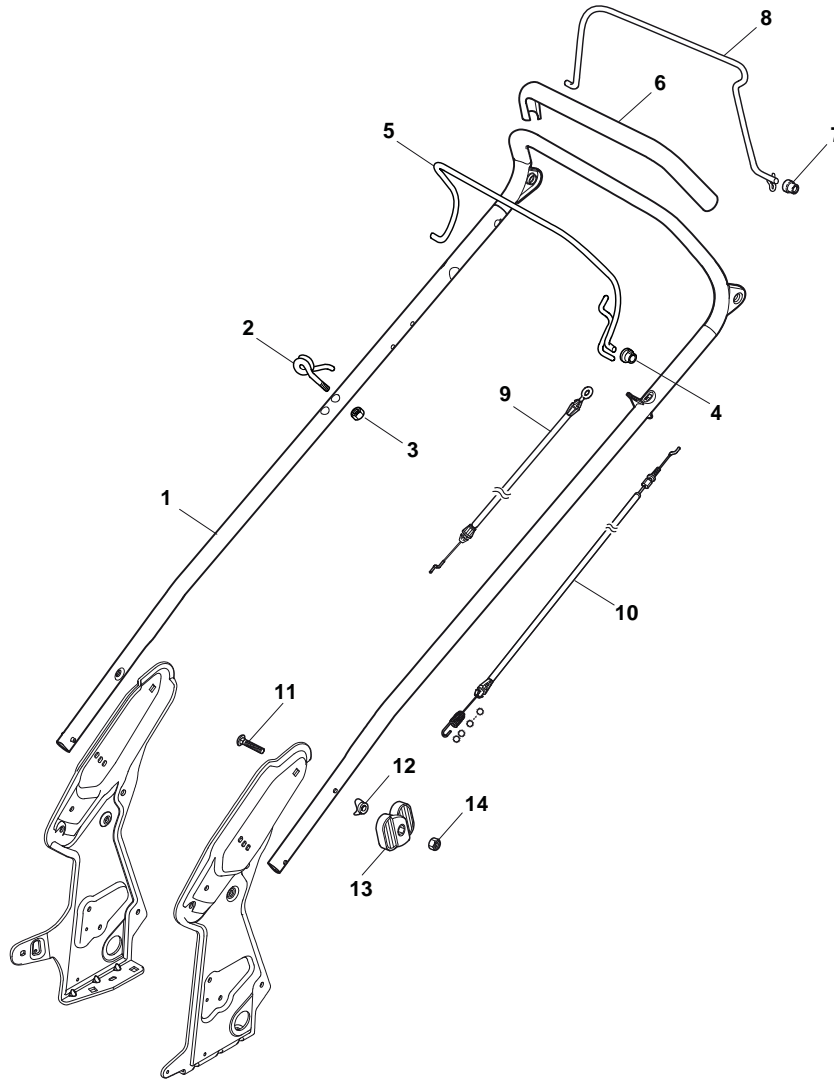


| N. CODE | Q.TY | DESCRIZIONE | DESCRIPTION | DESCRIPTION | BESCHREIBUNG | REMARK | |
|---------|-------------|-------------|--------------|------------------|-------------------|-------------|--|
| 54 | 112794986/0 | 1 | Vite | Screw | Vis | Schraube | |
| 55 | 112727799/0 | 2 | Vite | Screw | Vis | Schraube | |
| 56 | 12521350/0 | 1 | Rosetta | Washer | Rondelle | Scheibe | |
| 57 | 12155000/0 | 1 | Dado | Nut | Ecrou | Mutter | |
| 58 | 381608501/0 | 1 | Rinforzo Inf | Stiffening Lower | Réinforcement Inf | Verstärkung | |

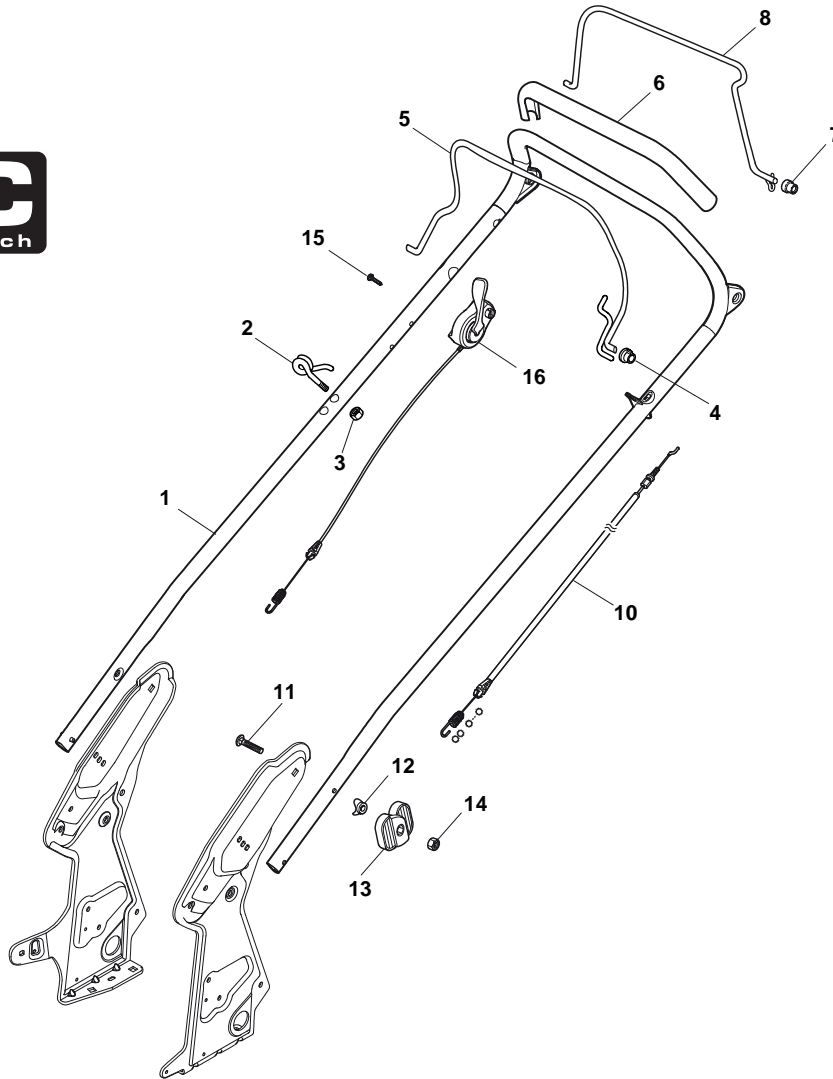
DML 504 W TR - DML 504 W TR/E



| N. | CODE | Q.TY | DESCRIZIONE | DESCRIPTION | DESCRIPTION | BESCHREIBUNG | REMARK |
|----|-------------|------|-----------------------|----------------------------|------------------------------|--------------------|----------------------|
| 1 | 381006877/0 | 1 | Manico, Parte Sup | Handle, Upper Part | Mancheron, Partie Superieure | Holm, Oberteil | |
| 2 | 12819120/0 | 2 | Vite | Screw | Vis | Schraube | |
| 3 | 22680006/1 | 2 | Rosetta | Washer | Rondelle | Scheibe | |
| 4 | 22399803/0 | 2 | Manopolina | Knob | Poignée | Griff | |
| 5 | 12293200/0 | 2 | Dado | Nut | Ecrou | Mutter | |
| 6 | 22430313/0 | 1 | Molla Guida | Guide Spring | Ressort De Guide | Feder Führer | |
| 7 | 12154510/0 | 1 | Dado | Nut | Ecrou | Mutter | |
| 8 | 181030041/1 | 1 | Cavo Freno Motore | Cable, Thread Engine Brake | Cable Frein Moteur | Kabel, Motorbremse | (Honda GCV 160) |
| 8 | 181030043/0 | 1 | Cavo Freno Motore | Cable, Thread Engine Brake | Cable Frein Moteur | Kabel, Motorbremse | (Ggp 140-160-196 cc) |
| 8 | 181030043/0 | 1 | Cavo Freno Motore | Cable, Thread Engine Brake | Cable Frein Moteur | Kabel, Motorbremse | (B&S 625-675 series) |
| 9 | 381030059/0 | 1 | Cavo Comando Trazione | Cable, Rear Drive | Câble, Commande Traction | Kabel, Antrieb | |
| 10 | 12727783/0 | 1 | Vite | Screw | Vis | Schraube | |
| 11 | 22551640/0 | 1 | Piastrina | Plate | Plaquette | Plättchen | |
| 12 | 12154510/0 | 1 | Dado | Nut | Ecrou | Mutter | |
| 13 | 381003330/0 | 1 | Leva Freno Motore | Lever, Engine Brake | Levier Frein Moteur | Hebel, Motorbremse | |
| 14 | 12000930/0 | 2 | Anello Elastico | Snap Ring | Anneau Ressort | Sprengring | |
| 15 | 12523010/0 | 2 | Rosetta | Washer | Rondelle | Scheibe | |
| 16 | 22041960/0 | 2 | Bussola | Bush | Douille | Buchse | |
| 17 | 122524328/0 | 2 | Perno | Pin | Pivot | Bolzen | |
| 18 | 81003297/1 | 1 | Leva Trazione | Driving Lever | Levier Traction | Antriebhebel | |

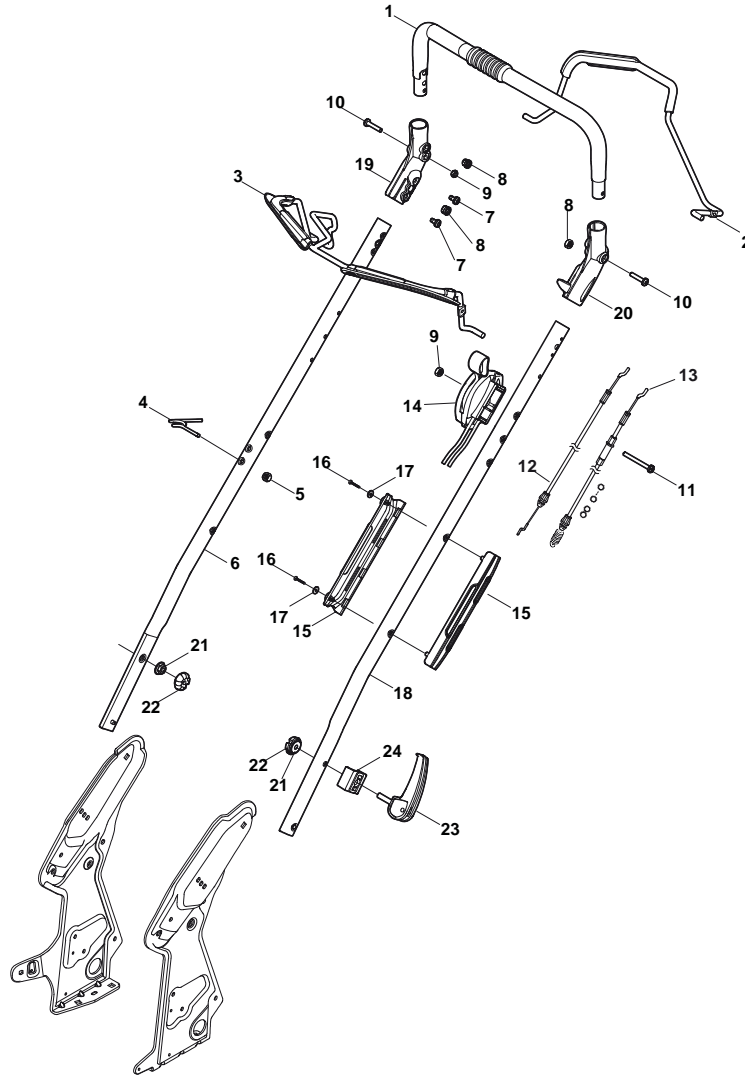


| N. | CODE | Q.TY | DESCRIZIONE | DESCRIPTION | DESCRIPTION | BESCHREIBUNG | REMARK |
|----|-------------|------|---------------------------|----------------------------|-------------------------------------|-------------------------|----------------------|
| 1 | 381006881/0 | 1 | Manico, Parte Sup. - Nero | Handle, Upper Part, Black | Mancheron, Partie Superieure, Noire | Holm, Oberteil, Schwarz | |
| 2 | 22430309/0 | 1 | Molla Guida | Guide Spring | Ressort De Guide | Feder Führer | |
| 3 | 12154330/0 | 1 | Dado | Nut | Ecrou | Mutter | |
| 4 | 22041966/0 | 2 | Bussola | Bush | Douille | Buchse | |
| 5 | 81003291/3 | 1 | Leva Freno Motore | Lever, Engine Brake | Levier Frein Moteur | Hebel, Motorbremse | |
| 6 | 22291050/0 | 1 | Impugnatura Manico Nera | Handgrip Black | Poignée Noire | Handgriff Schwarz | |
| 7 | 22041965/1 | 2 | Bussola | Bush | Douille | Buchse | |
| 8 | 81003288/1 | 1 | Leva Trazione | Lever, Driving | Levier Traction | Hebel, Antrieb | |
| 9 | 181030058/0 | 1 | Cavo Freno Motore | Cable, Thread Engine Brake | Cable Frein Moteur | Kabel, Motorbremse | (Honda GCV 160) |
| 9 | 81000760/0 | 1 | Cavo Freno Motore | Cable, Thread Engine Brake | Cable Frein Moteur | Kabel, Motorbremse | (B&S 625-675 Series) |
| 10 | 81000668/1 | 1 | Cavo Comando Trazione | Cable, Rear Drive | Câble, Commande Traction | Kabel, Antrieb | |
| 11 | 12819120/0 | 2 | Vite | Screw | Vis | Schraube | |
| 12 | 22680006/1 | 2 | Rosetta | Washer | Rondelle | Scheibe | |
| 13 | 22399803/0 | 2 | Manopoliina | Knob | Poignée | Griff | |
| 14 | 12293202/0 | 2 | Dado | Nut | Ecrou | Mutter | |



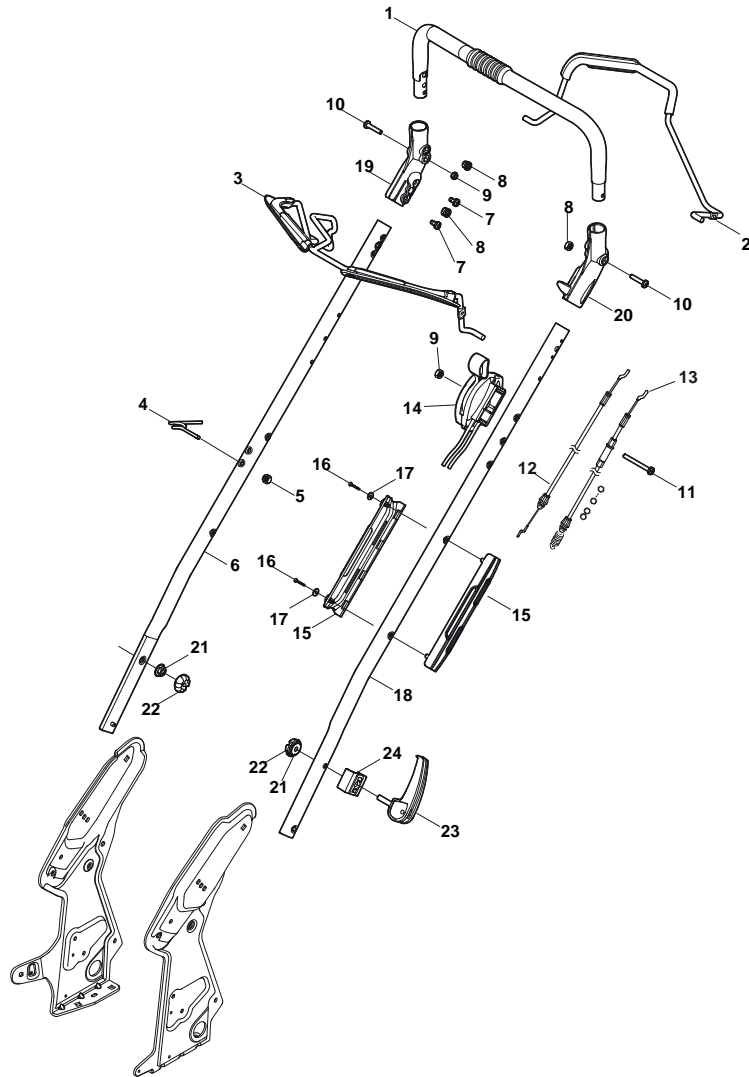
| N. | CODE | Q.TY | DESCRIZIONE | DESCRIPTION | DESCRIPTION | BESCHREIBUNG | REMARK |
|----|-------------|------|---------------------------------|---------------------------|-------------------------------------|-----------------------------|--------|
| 1 | 381006879/0 | 1 | Manico, Parte Sup. - Grigio | Handle, Upper Part, Grey | Mancheron, Partie Superieure, Gris | Holm, Oberteil, Grau | |
| 1 | 381006881/0 | 1 | Manico, Parte Sup. - Nero | Handle, Upper Part, Black | Mancheron, Partie Superieure, Noire | Holm, Oberteil, Schwarz | |
| 2 | 22430309/0 | 1 | Molla Guida | Guide Spring | Ressort De Guide | Feder Führer | |
| 3 | 12154330/0 | 1 | Dado | Nut | Ecrou | Mutter | |
| 4 | 22041966/0 | 2 | Bussola | Bush | Douille | Buchse | |
| 5 | 181003332/1 | 1 | Leva Freno Motore | Lever, Engine Brake | Levier Frein Moteur | Hebel, Motorbremse | |
| 6 | 22291050/0 | 1 | Impugnatura Manico Nera | Handgrip Black | Poignée Noire | Handgriff Schwarz | |
| 7 | 22041965/1 | 2 | Bussola | Bush | Douille | Buchse | |
| 8 | 81003288/1 | 1 | Leva Trazione | Lever, Driving | Levier Traction | Hebel, Antrieb | |
| 10 | 81000668/1 | 1 | Cavo Comando Trazione | Cable, Rear Drive | Câble, Commande Traction | Kabel, Antrieb | |
| 11 | 12819120/0 | 2 | Vite | Screw | Vis | Schraube | |
| 12 | 22680006/1 | 2 | Rosetta | Washer | Rondelle | Scheibe | |
| 13 | 22399803/0 | 2 | Manopolina | Knob | Poignée | Griff | |
| 14 | 12293202/0 | 2 | Dado | Nut | Ecrou | Mutter | |
| 15 | 12727784/0 | 1 | Vite | Screw | Vis | Schraube | |
| 16 | 381030046/0 | 1 | Cavo Comando Frizione Meccanica | Cable, Mechanical Clutch | Câble, Commande Embrayage Mecanique | Kabel, Mechanische Kupplung | |

DML 504 W TR - DML 504 W TR/E

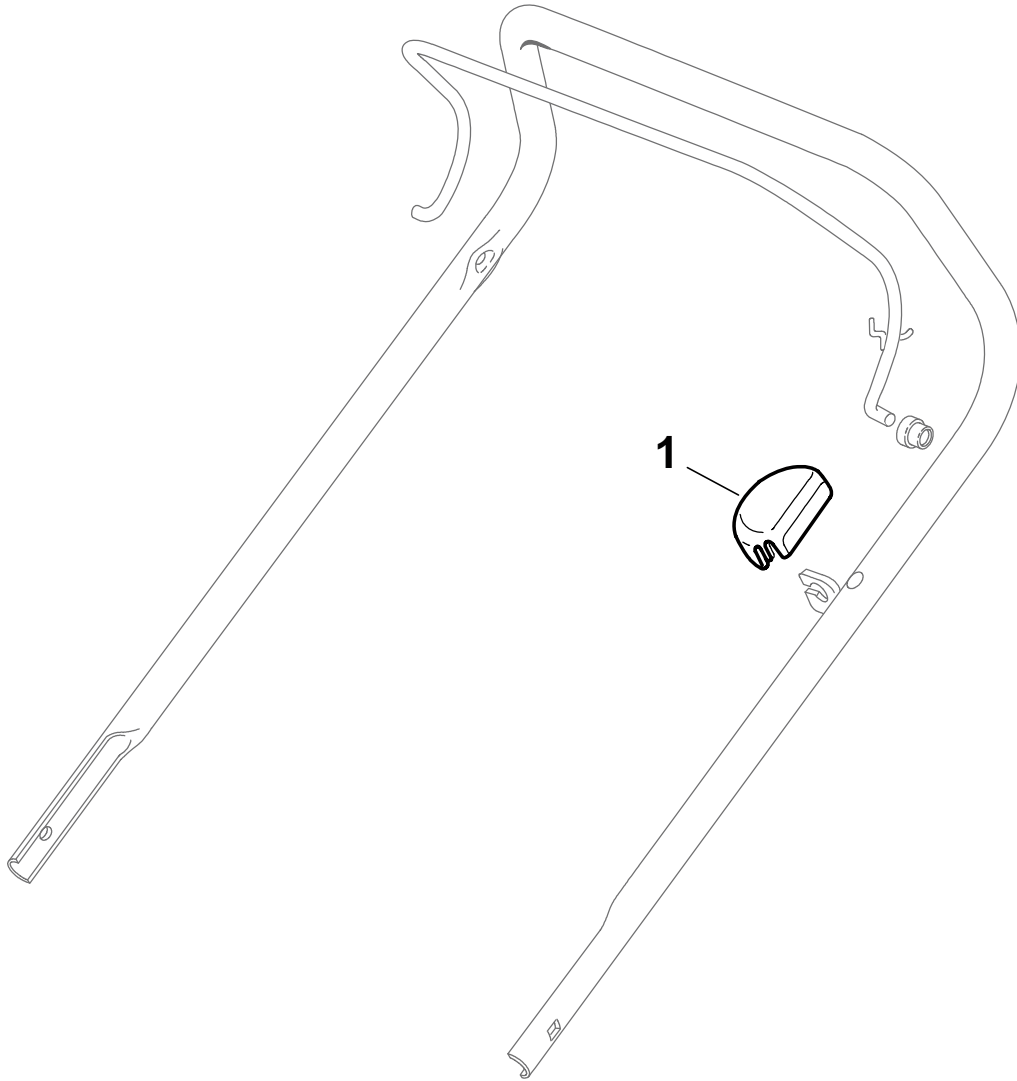


| N. | CODE | Q.TY | DESCRIZIONE | DESCRIPTION | DESCRIPTION | BESCHREIBUNG | REMARK |
|----|-------------|------|-------------------------|--------------------------|--------------------------|----------------------|-------------------------------|
| 1 | 381006670/2 | 1 | Impugnatura Manico | Handgrip | Poignée | Handgriff | |
| 2 | 381003349/0 | 1 | Leva Trazione | Lever, Driving | Levier Traction | Hebel, Antrieb | |
| 3 | 381003344/0 | 1 | Leva Freno Motore | Lever, Engine Brake | Levier Frein Moteur | Hebel, Motorbremse | |
| 4 | 22430309/0 | 1 | Molla Guida | Guide Spring | Ressort De Guide | Feder Führer | |
| 5 | 12154330/0 | 1 | Dado | Nut | Ecrou | Mutter | |
| 6 | 381006821/0 | 1 | Manico Grigio, Parte Dx | Handle Grey, R | Mancheron Gris, D | Holm Grau, Rechte | |
| 6 | 381006895/0 | 1 | Manico Nero, Parte Dx | Handle Black, R | Mancheron Noire, D | Holm Schwarz, Rechte | |
| 7 | 112735662/1 | 4 | Vite | Screw | Vis | Schraube | |
| 8 | 322041967/0 | 4 | Bussola | Bush | Douille | Buchse | |
| 9 | 12154510/0 | 3 | Dado | Nut | Ecrou | Mutter | |
| 10 | 112728721/0 | 2 | Vite | Screw | Vis | Schraube | |
| 11 | 12727786/0 | 1 | Vite | Screw | Vis | Schraube | |
| 12 | 181030065/0 | 1 | Cavo Freno Motore | Cable, Thread Eng. Brake | Cable Frein Moteur | Kabel, Motorbremse | |
| 13 | 381030067/0 | 1 | Cavo Comando Trazione | Cable, Rear Drive | Câble, Commande Traction | Kabel, Antrieb | |
| 14 | 181005501/1 | 1 | Cavo Acceleratore | Throttle Cable | Cable, Accelérateur | Gashebel Kabel | (GGP 140-160-190 cc) |
| 14 | 181005502/1 | 1 | Cavo Acceleratore | Throttle Cable | Cable, Accelérateur | Gashebel Kabel | (B&S 450-500-550-625-675-700) |
| 14 | 181005503/1 | 1 | Cavo Acceleratore | Throttle Cable | Cable, Accelérateur | Gashebel Kabel | (Honda GCV 135-160-190) |
| 15 | 322806644/0 | 1 | Protezione | Protection | Protection | Schutz | |
| 16 | 12727812/0 | 2 | Vite | Screw | Vis | Schraube | |
| 17 | 112523000/1 | 2 | Rosetta | Washer | Rondelle | Scheibe | |
| 18 | 381006823/0 | 1 | Manico Grigio, Parte Sx | Handle Grey, L | Mancheron Gris, G | Holm Grau, Linke | |
| 18 | 381006897/0 | 1 | Manico Nero, Parte Sx | Handle Black, L | Mancheron Noire, G | Holm Schwarz, Linke | |
| 19 | 322488301/0 | 1 | Supporto | Support | Support | Halter | |
| 20 | 322488303/0 | 1 | Supporto | Support | Support | Halter | |
| 21 | 112154220/0 | 2 | Dado | Nut | Ecrou | Mutter | |
| 22 | 322399835/0 | 2 | Manopolina | Knob | Poignée | Griff | |
| 23 | 381003253/0 | 2 | Maniglia | Handle | Poignée | Griff | |

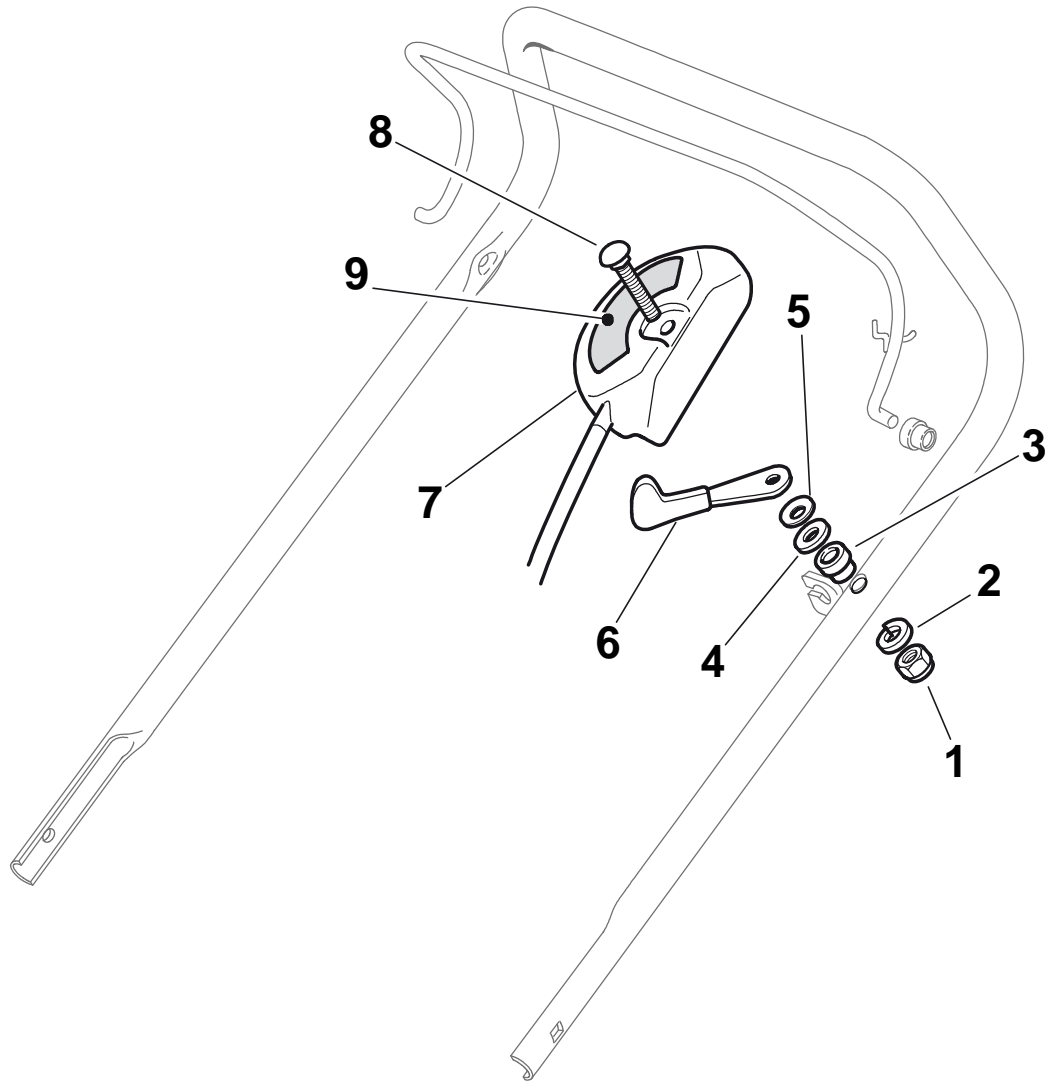
DML 504 W TR - DML 504 W TR/E



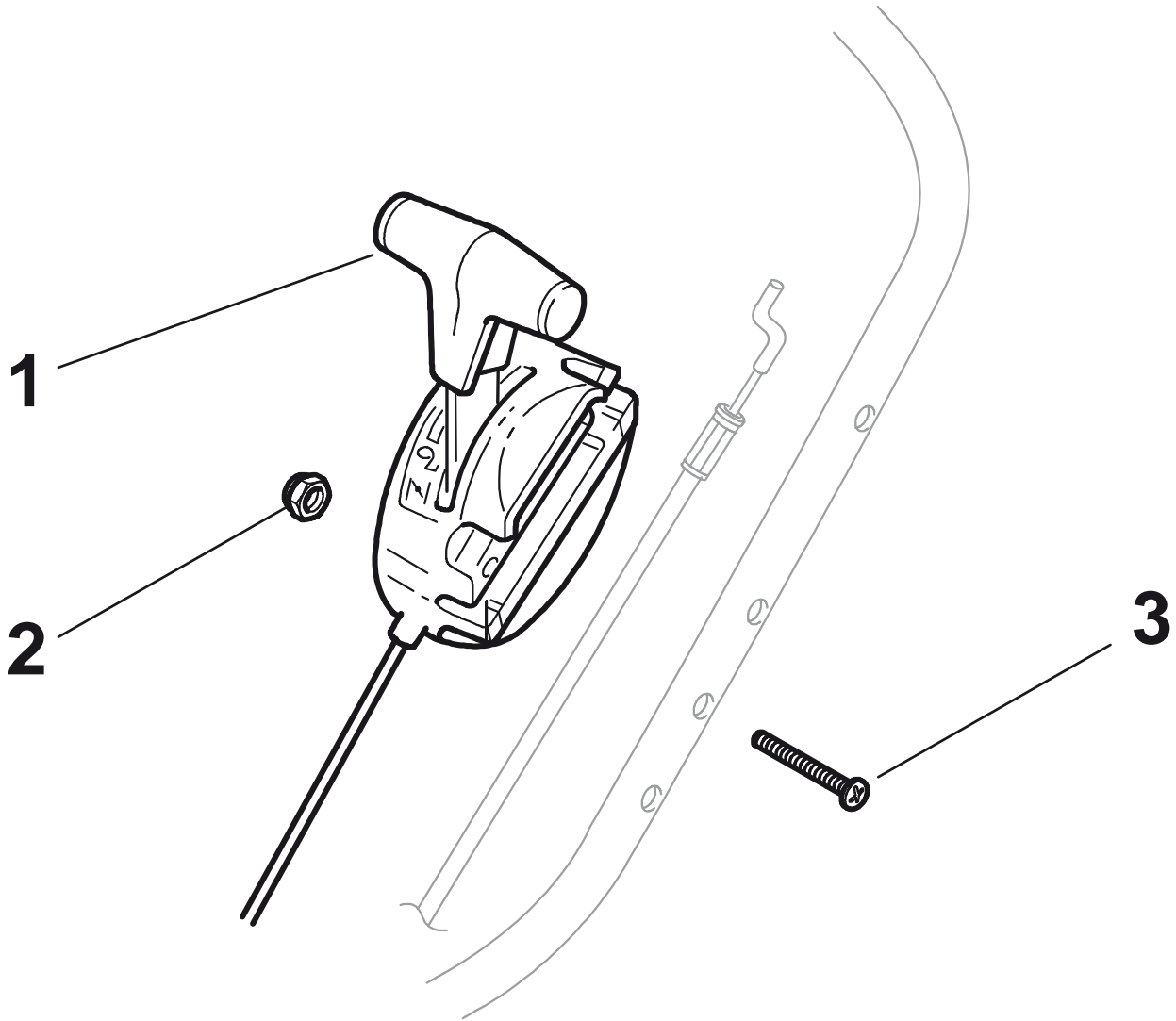
| N. CODE | Q.TY | DESCRIZIONE | DESCRIPTION | DESCRIPTION | BESCHREIBUNG | REMARK |
|---------|-------------|-------------|-------------|-------------|--------------|--------|
| 24 | 322680017/0 | 2 | Supporto | Support | Halter | |



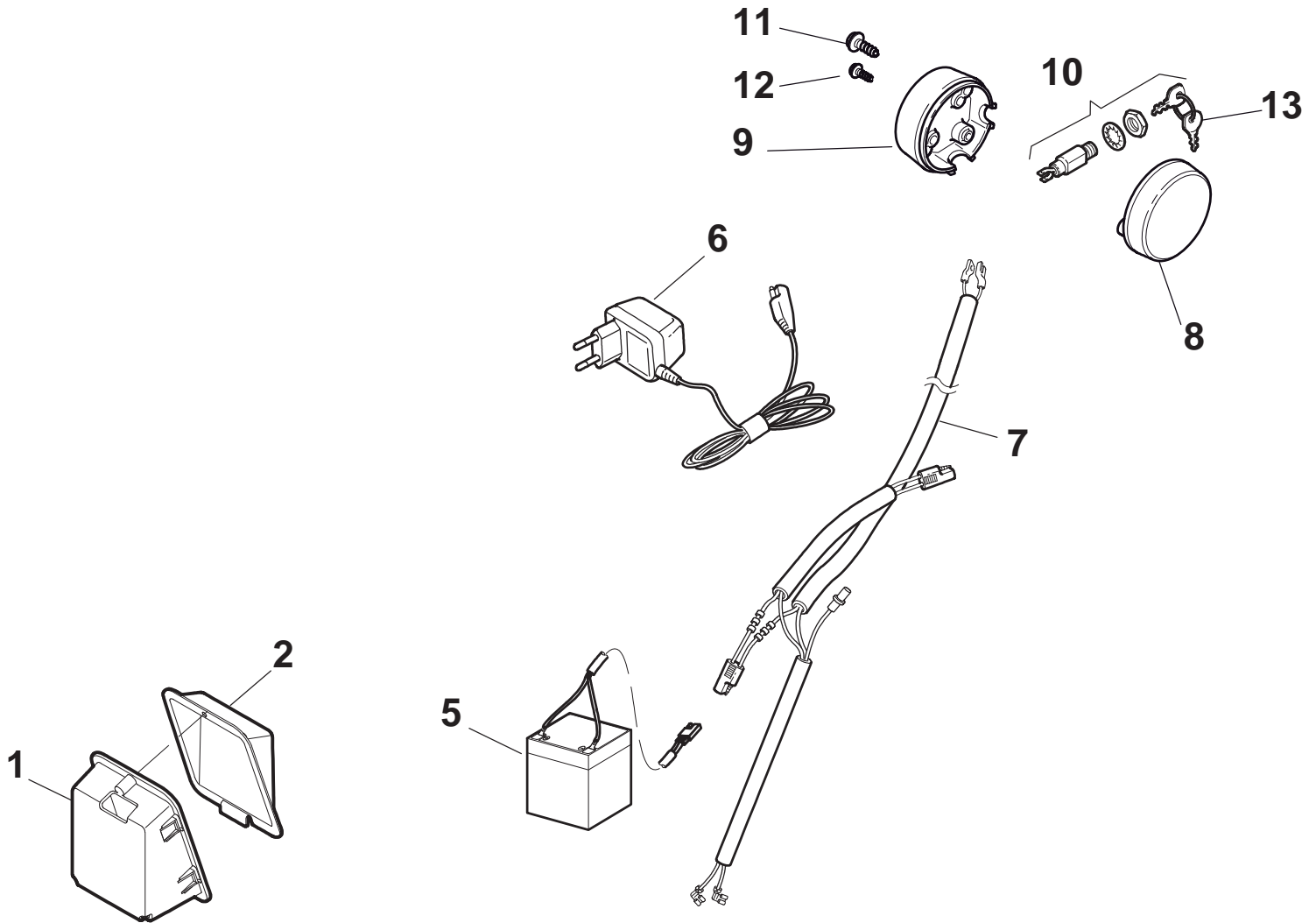
| N. | CODE | Q.TY | DESCRIZIONE | DESCRIPTION | DESCRIPTION | BESCHREIBUNG | REMARK |
|----|------------|------|-------------|-------------|-------------|--------------|--------|
| 1 | 22601000/0 | 1 | Protezione | Protection | Protection | Schutz | |



| N. | CODE | Q.TY | DESCRIZIONE | DESCRIPTION | DESCRIPTION | BESCHREIBUNG | REMARK |
|----|-------------|------|--------------------|-----------------|----------------------|---------------------|---|
| 1 | 12291000/0 | 1 | Dado | Nut | Ecrou | Mutter | |
| 2 | 12581500/0 | 1 | Grower | Grower | Grower | Federring | |
| 3 | 22171005/0 | 1 | Distanziale | Spacer | Entretoise | Distanzring | |
| 4 | 12521360/0 | 1 | Rosetta | Washer | Rondelle | Scheibe | |
| 5 | 12508100/0 | 1 | Rosetta Elastica | Spring Washer | Rondelle Elastique | Elastische Scheibe | |
| 6 | 81007220/0 | 1 | Leva, Acceleratore | Lever, Throttle | Levier, Accelérateur | Hebel, Beshleuniger | (B&S 450-500 Series - GGP 150 cc) |
| 6 | 81007279/1 | 1 | Leva, Acceleratore | Lever, Throttle | Levier, Accelérateur | Hebel, Beshleuniger | (B&S 625-675-700 Series - Honda - GGP 140-160-196 cc) |
| 7 | 81007080/0 | 1 | Cavo Acceleratore | Throttle Cable | Cable, Accelérateur | Gashebel Kabel | |
| 8 | 12815000/0 | 1 | Vite | Screw | Vis | Schraube | |
| 9 | 114356905/0 | 1 | Etichetta | Label | Etiquette | Etikette | (B&S 700 series DOV) |
| 9 | 114356905/0 | 1 | Etichetta | Label | Etiquette | Etikette | (Honda GCV 160-190 Autochoke) |
| 9 | 114364264/0 | 1 | Etichetta | Label | Etiquette | Etikette | AVS (GGP 160-196) |
| 9 | 14356702/0 | 1 | Etichetta | Label | Etiquette | Etikette | (GGP) |
| 9 | 14356702/0 | 1 | Etichetta | Label | Etiquette | Etikette | (Honda) |
| 9 | 14356703/0 | 1 | Etichetta | Label | Etiquette | Etikette | (B&S) |

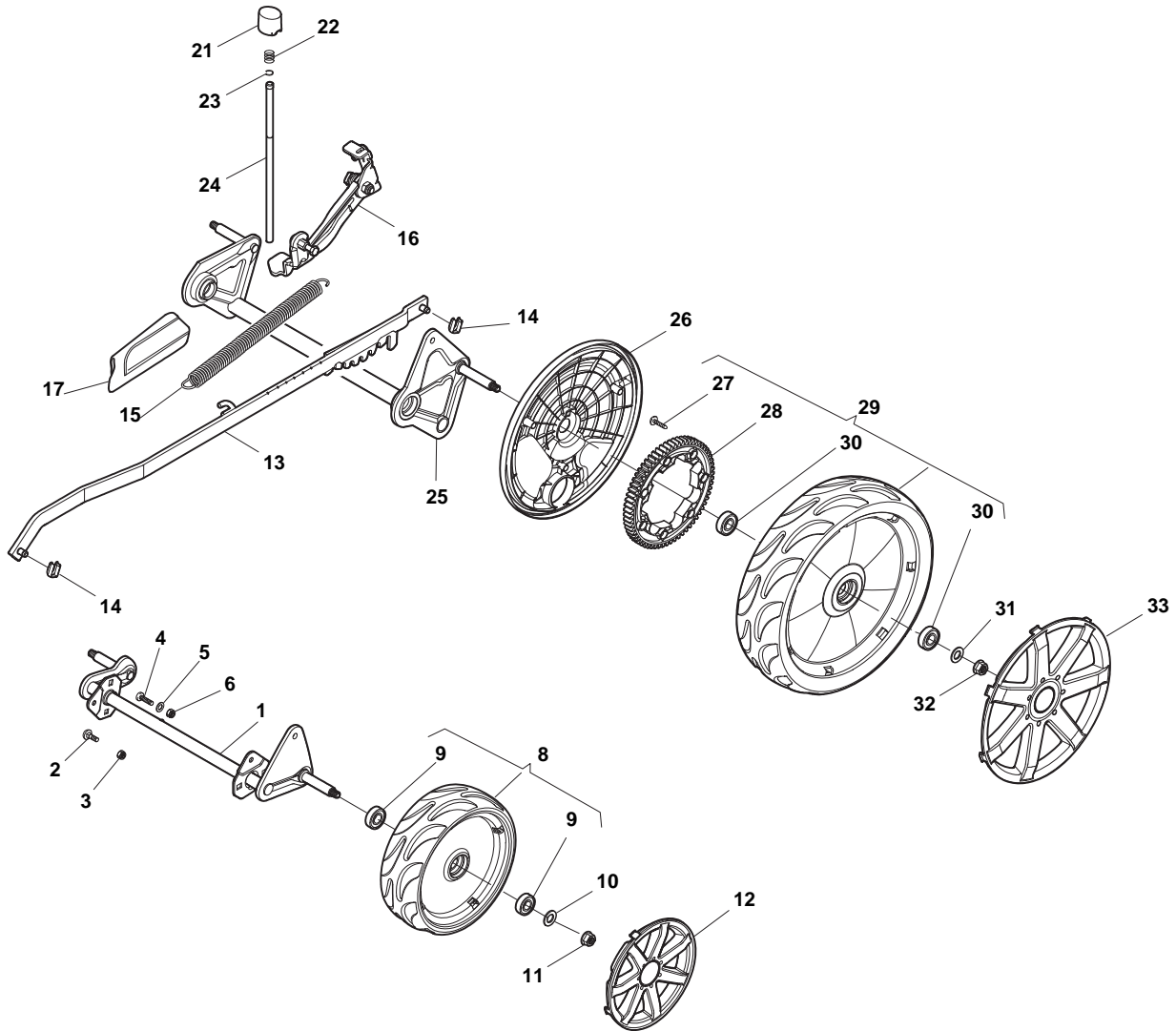


| N. | CODE | Q.TY | DESCRIZIONE | DESCRIPTION | DESCRIPTION | BESCHREIBUNG | REMARK |
|----|------------|------|-------------------|----------------|---------------------|----------------|---------|
| 1 | 81007130/0 | 1 | Cavo Acceleratore | Throttle Cable | Cable, Accelérateur | Gashebel Kabel | (Honda) |
| 2 | 12154510/0 | 1 | Dado | Nut | Ecrou | Mutter | |
| 3 | 12727786/0 | 1 | Vite | Screw | Vis | Schraube | |



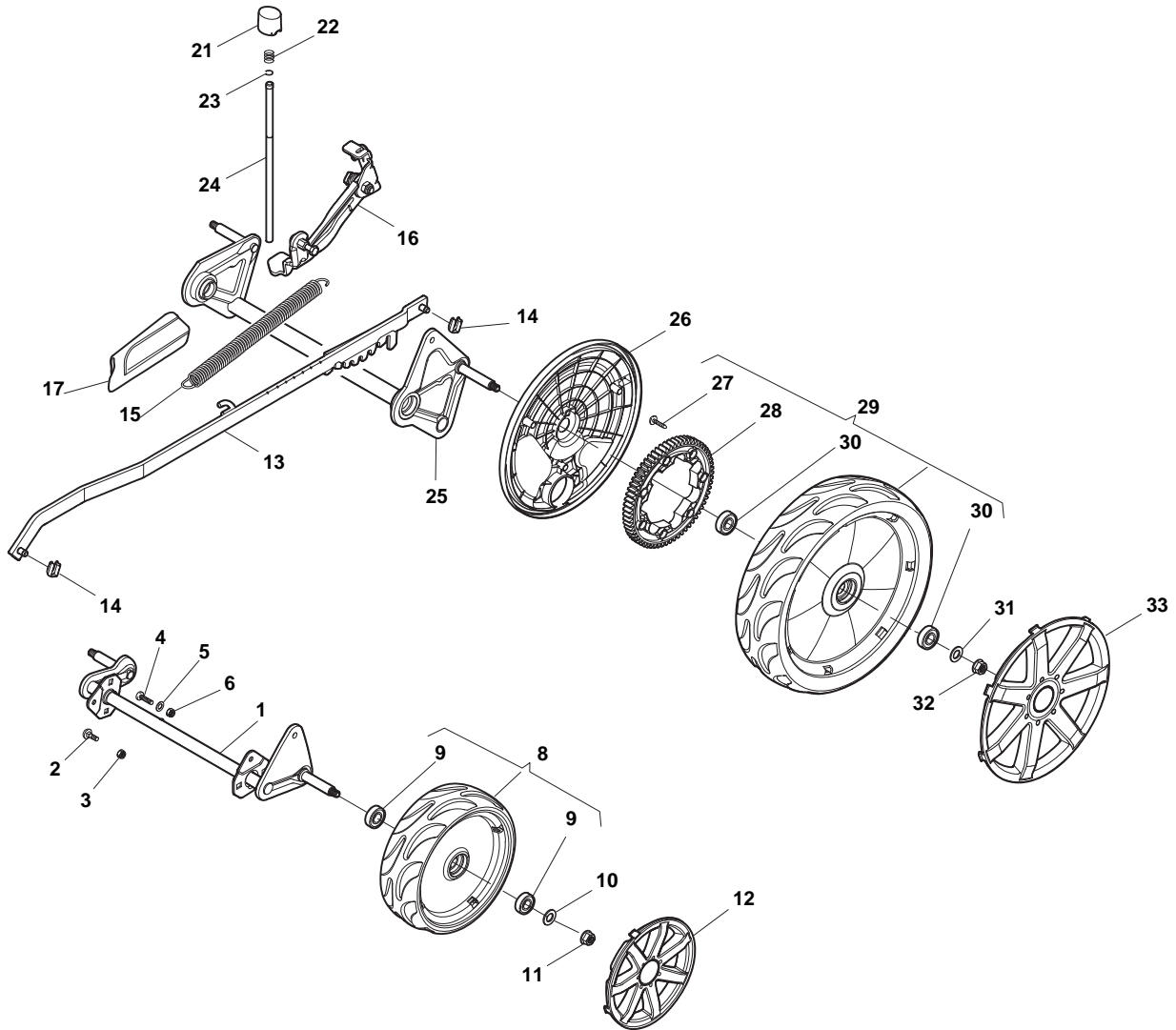
| N. | CODE | Q.TY | DESCRIZIONE | DESCRIPTION | DESCRIPTION | BESCHREIBUNG | REMARK |
|----|-------------|------|-------------------|------------------|------------------|---------------------|--------|
| 1 | 322109548/1 | 1 | Supporto Batteria | Support, Battery | Support Batterie | Halter, Batterie | |
| 2 | 322109549/0 | 1 | Coperchio | Cover | Couvercle | Deckel | |
| 5 | 18120052/0 | 1 | Batteria | Battery | Batterie | Batterie | |
| 6 | 18204120/0 | 1 | Carica Batteria | Battery Charger | Chargeur De | Ladgerät | CE |
| 6 | 18204121/0 | 1 | Carica Batteria | Battery Charger | Chargeur De | Ladgerät | UK |
| 7 | 18204196/0 | 1 | Cavo Avviamento | Cable, Start | Cable Démarrage | Kabel, Start | |
| 8 | 22722800/0 | 1 | Protezione Dx | R Protection | Protection D | Rechte Schutz | |
| 9 | 22722801/0 | 1 | Protezione Sx | L Protection | Protection G | Linke Schutz | |
| 10 | 12728702/0 | 2 | Vite | Screw | Vis | Schraube | |
| 11 | 12728691/0 | 1 | Vite | Screw | Vis | Schraube | |
| 12 | 18450050/0 | 1 | Interruttore | Switch | Interrupteur | Schalter | |
| 13 | 18210016/1 | 1 | Chiave Avviamento | Starting Key | Clef A Demarrage | Schlüssel Für Start | |

DML 504 W TR - DML 504 W TR/E

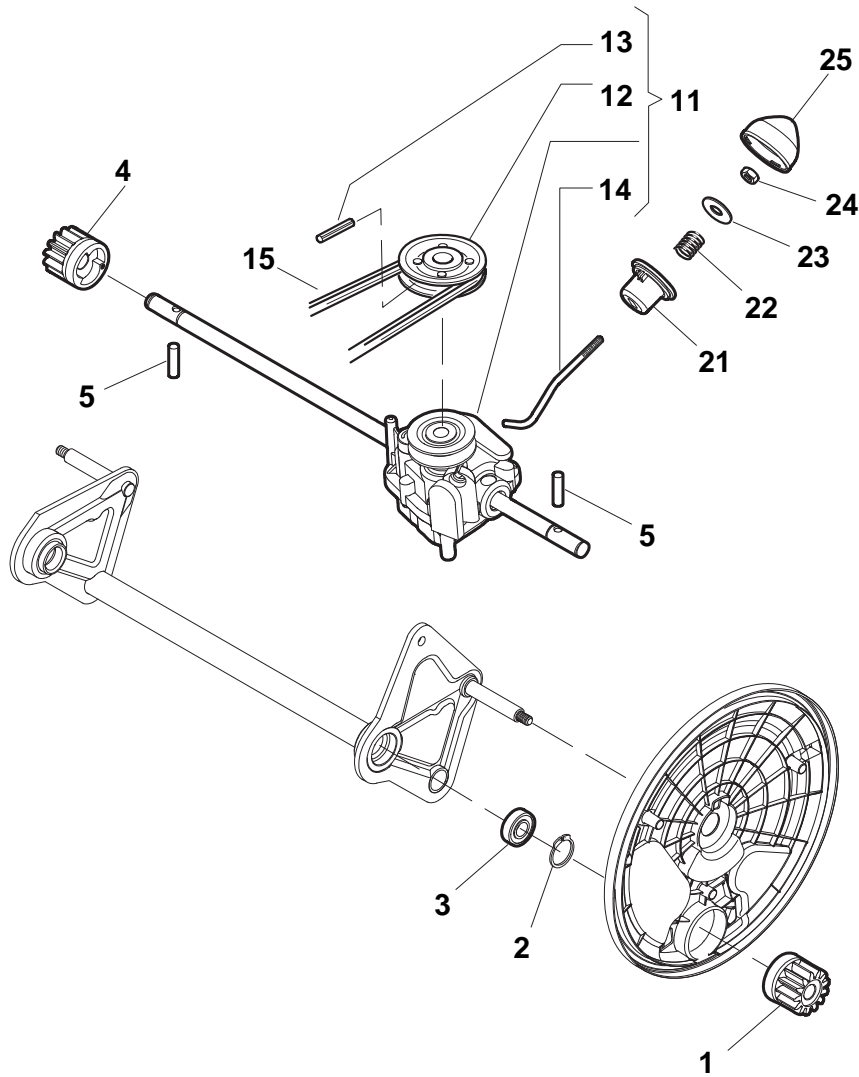


| N. | CODE | Q.TY | DESCRIZIONE | DESCRIPTION | DESCRIPTION | BESCHREIBUNG | REMARK |
|----|-------------|------|-----------------------------|--------------------------|-------------------------------|-------------------------|--------|
| 1 | 381002869/1 | 1 | Asse Ruote Anteriori | Axle, Front Wheels | Axe Roues Avant | Achse, Vorderrad | |
| 2 | 12815205/0 | 4 | Vite | Screw | Vis | Schraube | |
| 3 | 12154510/0 | 4 | Dado | Nut | Ecrou | Mutter | |
| 4 | 112727799/0 | 2 | Vite | Screw | Vis | Schraube | |
| 5 | 12523040/0 | 2 | Rosetta | Washer | Rondelle | Scheibe | |
| 6 | 12154510/0 | 2 | Dado | Nut | Ecrou | Mutter | |
| 8 | 381007394/1 | 2 | Ruota Ø 210 | Wheel Ø 210 | Roue Ø 210 | Rad Ø 210 | |
| 9 | 19216035/0 | 4 | Cuscinetto | Bearing | Coussinet | Lager | |
| 10 | 12521350/0 | 2 | Rosetta | Washer | Rondelle | Scheibe | |
| 11 | 12155000/0 | 2 | Dado | Nut | Ecrou | Mutter | |
| 12 | 322110597/0 | 2 | Coprismozzo | Hub Cap | Couvre-Moyeu | Radkappe | |
| 13 | 381002034/0 | 1 | Asta Comando Regol. Altezza | Rod, Height Adjustment | Tige Commande Reglage Hauteur | Stange, Höheverstellung | |
| 14 | 112436051/0 | 2 | Piastrina | Plate | Plaquette | Plättchen | |
| 15 | 122450459/1 | 1 | Molla | Spring | Ressort | Feder | |
| 16 | 381003337/1 | 1 | Leva Regolazione Altezza | Lever, Height Adjustment | Levier, Reglage Hauteur | Hebel, Höheverstellung | |
| 17 | 322570202/0 | 1 | Copertura | Cover | Couvre | Kappe | |
| 21 | 322602012/1 | 1 | Pulsante | Button | Poussoir | Druckknopf | |
| 22 | 122450462/0 | 1 | Molla | Spring | Ressort | Feder | |
| 23 | 12000930/0 | 1 | Anello Elastico | Snap Ring | Anneau Ressort | Sprengring | |
| 24 | 122033351/1 | 1 | Astina | Rod | Tige | Stange | |
| 25 | 381002899/0 | 1 | Asse Ruote Posteriori | Axle, Rear Wheels | Axe Roues Arriere | Achse, Hinterrad | |
| 26 | 322600179/0 | 2 | Prot. Ruote | Protection, Wheel | Protection Roue | Schütz | |
| 27 | 12728691/0 | 6 | Vite | Screw | Vis | Schraube | |
| 28 | 322120113/0 | 2 | Corona Trascinamento | Ring Gear | Couronne | Kranz | |
| 29 | 381007398/1 | 2 | Ruota Ø 300 | Wheel Ø 300 | Roue Ø 300 | Rad Ø 300 | |
| 30 | 19216035/0 | 4 | Cuscinetto | Bearing | Coussinet | Lager | |
| 31 | 12521350/0 | 2 | Rosetta | Washer | Rondelle | Scheibe | |

DML 504 W TR - DML 504 W TR/E

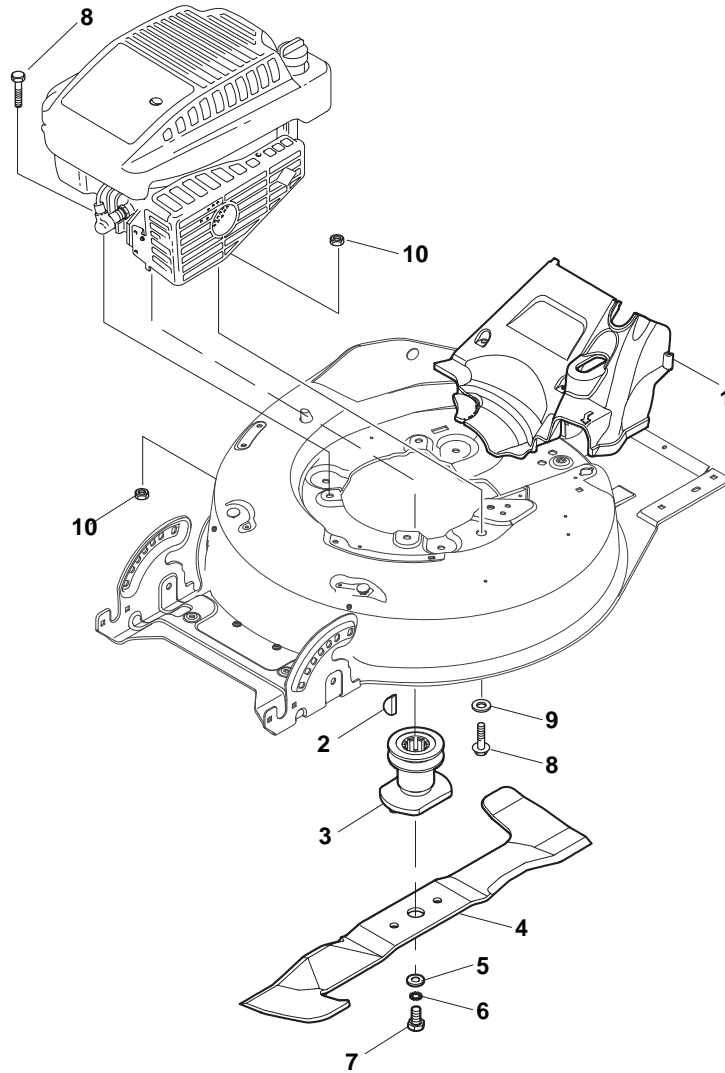


| N. CODE | Q.TY | DESCRIZIONE | DESCRIPTION | DESCRIPTION | BESCHREIBUNG | REMARK | |
|---------|-------------|-------------|-------------|-------------|--------------|----------|--|
| 32 | 12155000/0 | 2 | Dado | Nut | Ecrou | Mutter | |
| 33 | 322110598/0 | 2 | Coprimozzo | Hub Cap | Couvre-Moyeu | Radkappe | |

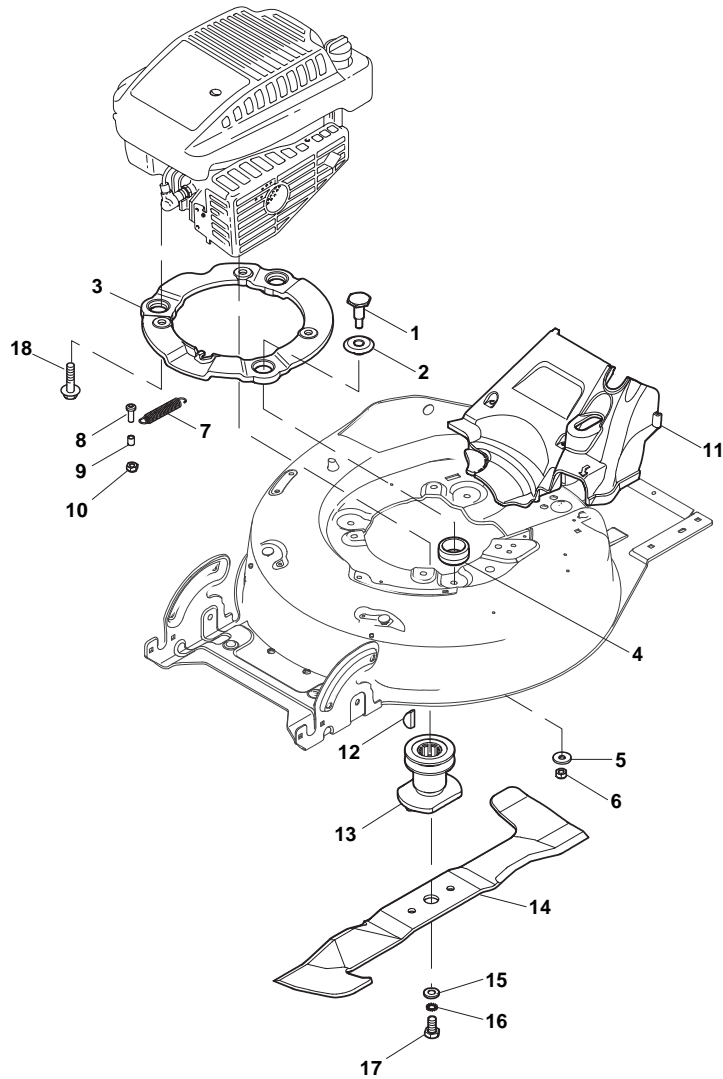


| N. | CODE | Q.TY | DESCRIZIONE | DESCRIPTION | DESCRIPTION | BESCHREIBUNG | REMARK |
|----|-------------|------|------------------|----------------|-----------------|-------------------|--------|
| 1 | 122570132/0 | 1 | Pignone Sx | Pinion L | Pignon G | Ritzel Linkes | |
| 2 | 12608600/0 | 4 | Seeger | Seeger | Seeger | Seeger | |
| 3 | 19216035/0 | 2 | Cuscinetto | Bearing | Coussinet | Lager | |
| 4 | 122570131/0 | 1 | Pignone Dx | Pinion R | Pignon D | Ritzel Rechtes | |
| 5 | 22753000/0 | 2 | Spina | Pin | Goupille | Stift | |
| 11 | 181003106/0 | 1 | Gruppo Trazione | Gear Box | Groupe Traction | Antrieb | |
| 12 | 122601908/1 | 1 | Puleggia | Pulley | Poulie | Riemenscheibe | |
| 13 | 12645705/0 | 1 | Spina | Pin | Goupille | Stift | |
| 14 | 122033290/0 | 1 | Asta Regolazione | Adjustment Rod | Tige Reglage | Verstellungstange | |
| 15 | 135064391/0 | 1 | Cinghia X 10 | Belt X 10 | Courroie X 10 | Riemen X 10 | |
| 21 | 22041957/1 | 1 | Bussola | Bush | Douille | Buchse | |
| 22 | 22450063/0 | 1 | Molla | Spring | Ressort | Feder | |
| 23 | 22680009/0 | 1 | Rosetta | Washer | Rondelle | Scheibe | |
| 24 | 12154510/0 | 1 | Dado | Nut | Ecrou | Mutter | |
| 25 | 322109550/0 | 1 | Tappo | Cap | Bouchon | Gummistopfen | |

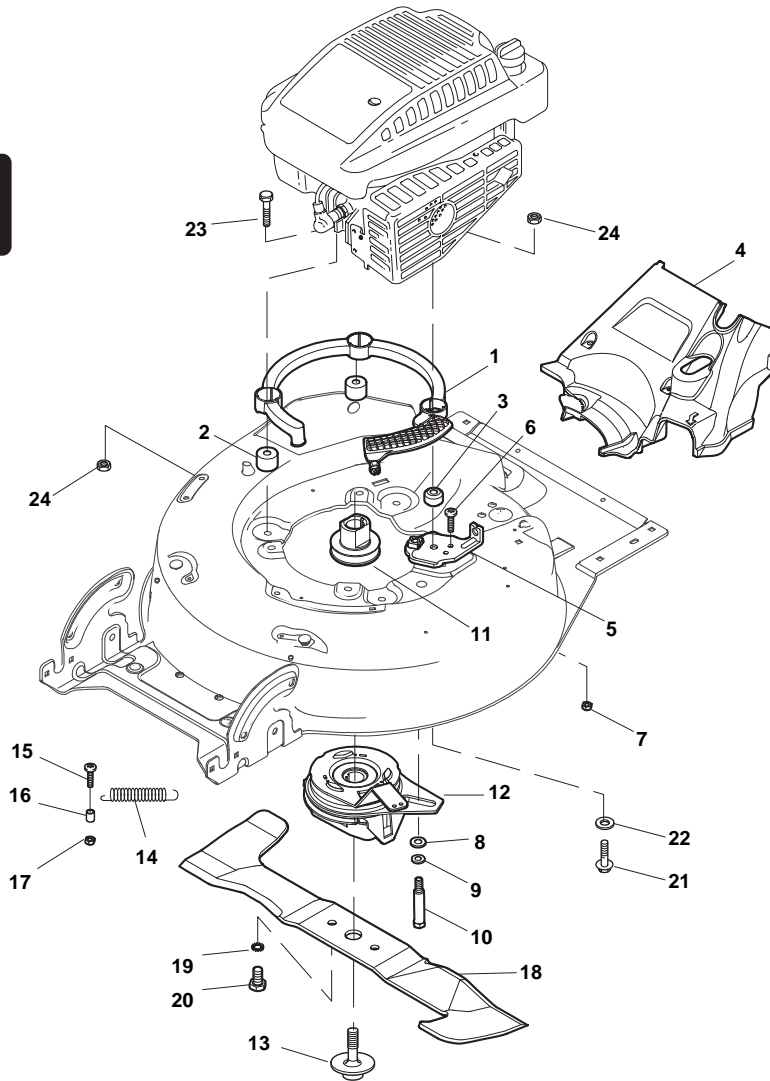
DML 504 W TR - DML 504 W TR/E



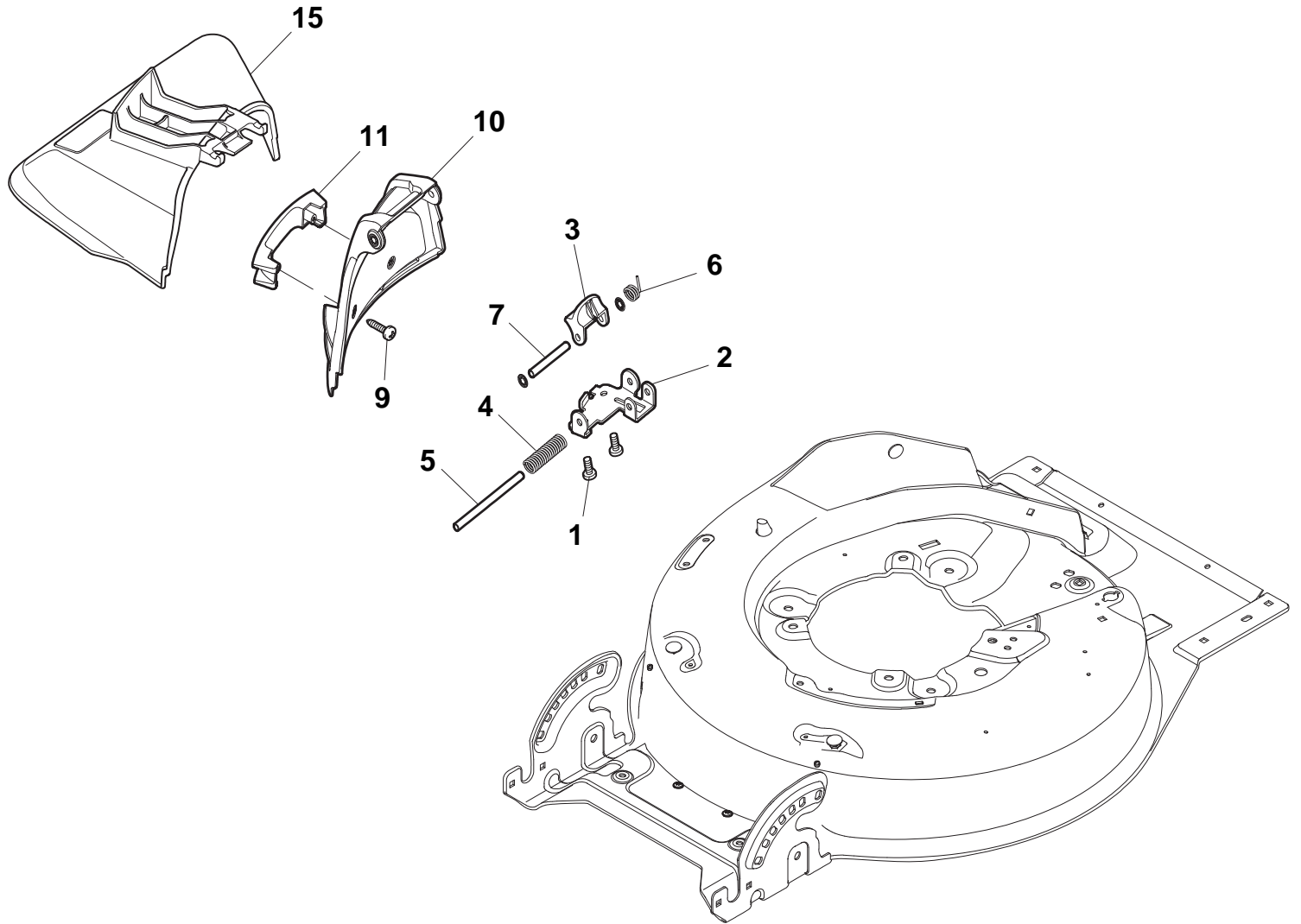
| N. | CODE | Q.TY | DESCRIZIONE | DESCRIPTION | DESCRIPTION | BESCHREIBUNG | REMARK |
|----|-------------|------|---------------------------------|----------------------------|-------------------------------|---------------------------|-----------------------------|
| 1 | 322060230/0 | 1 | Carter | Protection | Protection | Schutz | |
| 2 | 12139100/0 | 1 | Linguetta, Albero Motore Ø 22.2 | Feather, Crankshaft Ø 22.2 | Clavette, Arbre Moteur Ø 22.2 | Keil, Motorwelle Ø 22.2 | (B&S - GGP) |
| 2 | 12139150/0 | 1 | Linguetta, Albero Motore Ø 25 | Feather, Crankshaft Ø 25 | Clavette, Arbre Moteur Ø 25 | Keil, Motorwelle Ø 25 | (Honda) |
| 3 | 122465607/3 | 1 | Mozzo, Albero Motore Ø 22.2 | Hub, Crankshaft Ø 22.2 | Moyeu, Arbre Moteur Ø 22.2 | Halter, Motorwelle Ø 22.2 | (B&S - GGP) |
| 3 | 122465608/2 | 1 | Mozzo, Albero Motore Ø 25 | Hub, Crankshaft Ø 25 | Moyeu, Arbre Moteur Ø 25 | Halter, Motorwelle Ø 25 | (Honda) |
| 4 | 181004450/0 | 1 | Coltello Standard | Blade Standard | Lame Standard | Messer Standard | |
| 5 | 22160400/0 | 1 | Disco Elastico | Elastic Washer | Rondelle Elastique | Elastischescheibe | |
| 6 | 12523080/0 | 1 | Rosetta | Washer | Rondelle | Scheibe | |
| 7 | 12735698/0 | 1 | Vite | Screw | Vis | Schraube | |
| 8 | 12691100/0 | 2 | Vite | Screw | Vis | Schraube | (B&S 675 Series) |
| 8 | 12691100/0 | 3 | Vite | Screw | Vis | Schraube | (B&S 625-750 Series) |
| 8 | 12691100/0 | 3 | Vite | Screw | Vis | Schraube | (Honda GCV 160-190) |
| 8 | 12691115/0 | 3 | Vite | Screw | Vis | Schraube | (GGP Engine 140-160-196 cc) |
| 8 | 12691800/0 | 1 | Vite | Screw | Vis | Schraube | (B&S 675 Series) |
| 9 | 12521350/0 | 1 | Rosetta | Washer | Rondelle | Scheibe | |
| 10 | 12154210/0 | 3 | Dado | Nut | Ecrou | Mutter | |



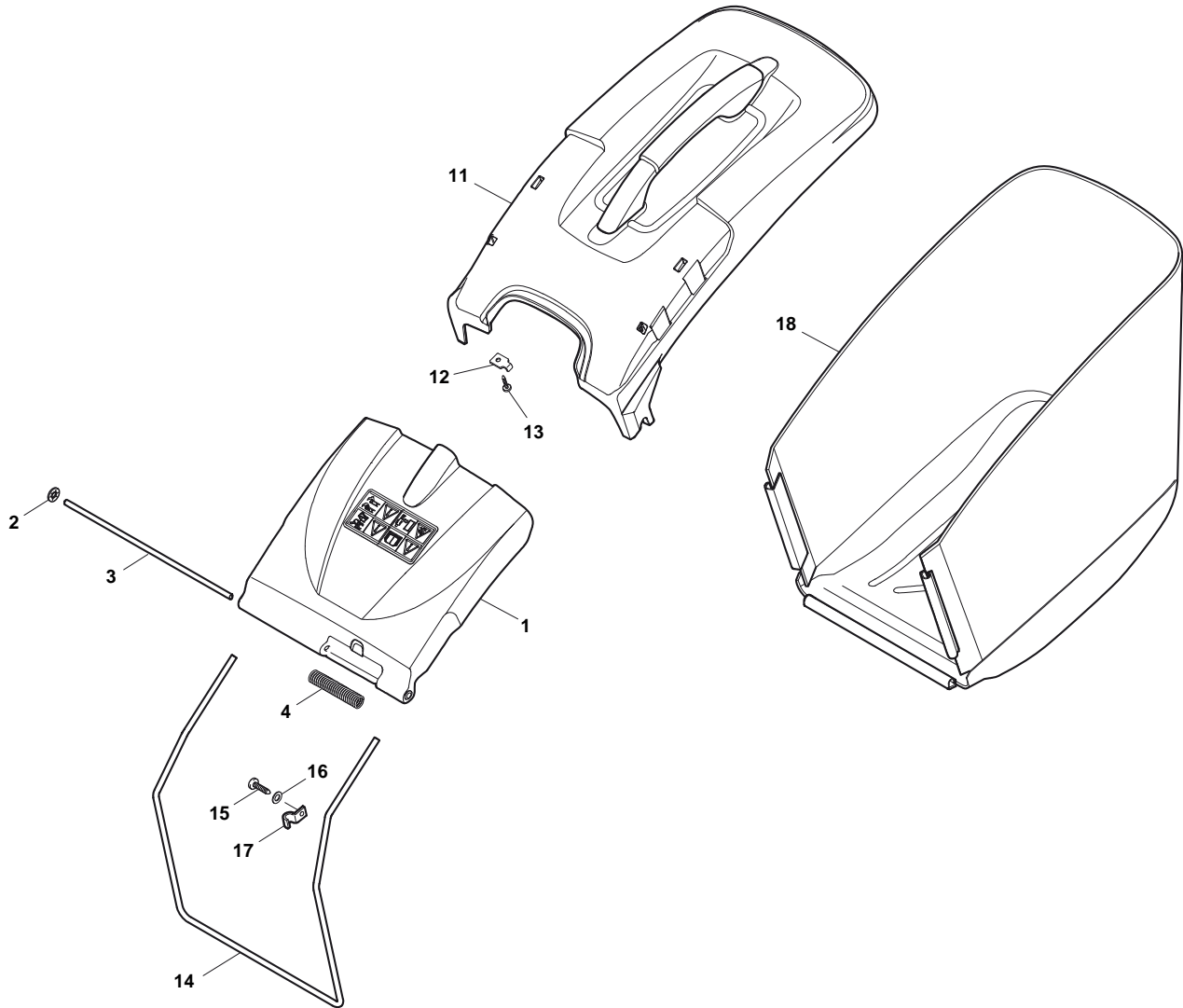
| N. | CODE | Q.TY | DESCRIZIONE | DESCRIPTION | DESCRIPTION | BESCHREIBUNG | REMARK |
|----|-------------|------|--|------------------------------------|--|-------------------------------------|-------------|
| 1 | 122519816/0 | 3 | Perno | Pin | Pivot | Bolzen | |
| 2 | 22672201/0 | 3 | Rondella | Washer | Rondelle | Scheibe | |
| 3 | 322207226/0 | 1 | Flangia | Flange | Bride | Flansch | |
| 4 | 322250014/0 | 3 | Gommino | Grommet | Caoutchouc | Gummi | |
| 5 | 122170850/0 | 3 | Distanziale | Spacer | Entretoise | Distanzring | |
| 6 | 12155000/0 | 3 | Dado | Nut | Ecrou | Mutter | |
| 7 | 122450461/0 | 1 | Molla | Spring | Ressort | Feder | |
| 8 | 112727801/0 | 1 | Vite | Screw | Vis | Schraube | |
| 9 | 122170846/0 | 1 | Distanziale | Spacer | Entretoise | Distanzring | |
| 10 | 12154510/0 | 1 | Dado | Nut | Ecrou | Mutter | |
| 11 | 322060230/0 | 1 | Carter | Protection | Protection | Schutz | |
| 12 | 12139100/0 | 1 | Linguetta, Albero Motore Ø 22.2 | Feather, Crankshaft Ø 22.2 | Clavette, Arbre Moteur Ø 22.2 | Keil, Motorwelle Ø 22.2 | (B&S - GGP) |
| 12 | 12139150/0 | 1 | Linguetta, Albero Motore Ø 25 | Feather, Crankshaft Ø 25 | Clavette, Arbre Moteur Ø 25 | Keil, Motorwelle Ø 25 | (Honda) |
| 13 | 122465638/1 | 1 | Mozzo Con Puleggia, Albero Motore Ø 22.2 | Hub With Pulley, Crankshaft Ø 22.2 | Moyeu Avec Poulie, Arbre Moteur Ø 22.2 | Nabe Mit Scheibe, Motorwelle Ø 22.2 | (B&S - GGP) |
| 13 | 122465639/1 | 1 | Mozzo Con Puleggia, Albero Motore Ø 25 | Hub With Pulley, Crankshaft Ø 25 | Moyeu Avec Poulie, Arbre Moteur Ø 25 | Nabe Mit Scheibe, Motorwelle Ø 25 | (Honda) |
| 14 | 181004451/0 | 1 | Coltello | Blade | Lame | Messer | |
| 15 | 22160400/0 | 1 | Disco Elastico | Elastic Washer | Rondelle Elastique | Elastischescheibe | |
| 16 | 12523080/0 | 1 | Rosetta | Washer | Rondelle | Scheibe | |
| 17 | 12736815/0 | 1 | Vite | Screw | Vis | Schraube | |
| 18 | 112735108/1 | 3 | Vite | Screw | Vis | Schraube | |



| N. | CODE | Q.TY | DESCRIZIONE | DESCRIPTION | DESCRIPTION | BESCHREIBUNG | REMARK |
|----|-------------|------|--------------------------------|---------------------------|-----------------------------|----------------------------|-------------|
| 1 | 322170962/0 | 1 | Protezione | Protection | Protection | Schutz | |
| 2 | 22170835/0 | 2 | Distanziale | Spacer | Entretoise | Distanzring | |
| 3 | 122170836/1 | 1 | Distanziale | Spacer | Entretoise | Distanzring | |
| 4 | 322060232/1 | 1 | Carter | Protection | Protection | Schutz | |
| 5 | 381545329/0 | 1 | Supporto | Support | Support | Halter | |
| 6 | 112727802/0 | 1 | Vite | Screw | Vis | Schraube | |
| 7 | 12154510/0 | 1 | Dado | Nut | Ecrou | Mutter | |
| 8 | 22671653/0 | 1 | Rosetta | Washer | Rondelle | Scheibe | |
| 9 | 12540060/0 | 1 | Rondella | Washer | Rondelle | Scheibe | |
| 10 | 122534127/0 | 1 | Piolo | Pin | Bondon | Dübel | |
| 11 | 122601922/0 | 1 | Puleggia, Albero Motore Ø 22.2 | Pulley, Crankshaft Ø 22.2 | Poulie, Arbre Moteur Ø 22.2 | Scheibe, Motorwelle Ø 22.2 | (B&S - GGP) |
| 11 | 122601923/0 | 1 | Puleggia, Albero Motore Ø 25 | Pulley, Crankshaft Ø 25 | Poulie, Arbre Moteur Ø 25 | Scheibe, Motorwelle Ø 25 | (Honda) |
| 12 | 118399051/0 | 1 | Ass. Frizione Meccanica | Mechanical Clutch | Embrayage Mecanique | Mechanische Kupplung | |
| 13 | 12735460/0 | 1 | Vite | Screw | Vis | Schraube | |
| 14 | 122446188/0 | 1 | Molla | Spring | Ressort | Feder | |
| 15 | 112727801/0 | 1 | Vite | Screw | Vis | Schraube | |
| 16 | 122170846/0 | 1 | Distanziale | Spacer | Entretoise | Distanzring | |
| 17 | 12154510/0 | 1 | Dado | Nut | Ecrou | Mutter | |
| 18 | 181004452/0 | 1 | Coltello | Blade | Lame | Messer | |
| 19 | 12540060/0 | 2 | Rondella | Washer | Rondelle | Scheibe | |
| 20 | 12794110/0 | 2 | Vite | Screw | Vis | Schraube | |
| 21 | 12692050/0 | 1 | Vite | Screw | Vis | Schraube | |
| 22 | 12521350/0 | 1 | Rosetta | Washer | Rondelle | Scheibe | |
| 23 | 12691700/0 | 2 | Vite | Screw | Vis | Schraube | |
| 24 | 12154210/0 | 3 | Dado | Nut | Ecrou | Mutter | |



| N. | CODE | Q.TY | DESCRIZIONE | DESCRIPTION | DESCRIPTION | BESCHREIBUNG | REMARK |
|----|-------------|------|-------------------|----------------|-------------------|---------------|--------|
| 1 | 112727803/0 | 2 | Vite | Screw | Vis | Schraube | |
| 2 | 322806635/1 | 1 | Fulcro | Fulcrum Pin | Point D'Appui | Gelenkpunkt | |
| 3 | 322783010/1 | 1 | Pulsante | Button | Poussoir | Druckknopf | |
| 4 | 122450456/0 | 1 | Molla | Spring | Ressort | Feder | |
| 5 | 122517864/0 | 1 | Perno | Pin | Pivot | Bolzen | |
| 6 | 122450457/0 | 1 | Molla | Spring | Ressort | Feder | |
| 7 | 122517866/0 | 1 | Perno | Pin | Pivot | Bolzen | |
| 9 | 112728706/0 | 2 | Vite | Screw | Vis | Schraube | |
| 10 | 322600200/0 | 1 | Protezione Uscita | Ejection Guard | Protection Sortie | Auswurfschutz | |
| 11 | 322393633/0 | 1 | Maniglia | Handle | Poignee | Griff | |
| 15 | 322108289/0 | 1 | Protezione Uscita | Ejection Guard | Protection Sortie | Auswurfschutz | |



| N. | CODE | Q.TY | DESCRIZIONE | DESCRIPTION | DESCRIPTION | BESCHREIBUNG | REMARK |
|----|-------------|------|--------------------|------------------|---------------------|--------------------|--------------|
| 1 | 322600180/3 | 1 | Parasassi | Stone-Guard | Pare-Pierres | Prallblech | |
| 2 | 12604899/0 | 2 | Fissatore A Corona | Crown Fastener | Fixateur A Couronne | Kronescheibe | |
| 3 | 122517863/0 | 1 | Perno | Pin | Pivot | Bolzen | |
| 4 | 122450455/1 | 1 | Molla | Spring | Ressort | Feder | |
| 11 | 381486007/0 | 1 | Sacco, Parte Sup | Grass-Box, Upper | Sac, Partie | Korb, Oberteil | |
| 12 | 322545159/0 | 2 | Piastrina | Plate | Plaquette | Plättchen | |
| 13 | 12728689/0 | 2 | Vite | Screw | Vis | Schraube | |
| 14 | 122608542/0 | 1 | Rinforzo Inf | Stiffening Lower | Réinforcement Inf | Verstärkung Untere | |
| 15 | 12728689/0 | 2 | Vite | Screw | Vis | Schraube | |
| 16 | 12521320/0 | 2 | Rosetta | Washer | Rondelle | Scheibe | |
| 17 | 325774220/0 | 2 | Piastrina | Plate | Plaquette | Plättchen | |
| 18 | 181002298/1 | 1 | Sacco, Tela | Box, Fabric | Sac, Toile | Sack, Tuck | Mountfield |
| 18 | 181002302/2 | 1 | Sacco, Tela | Box, Fabric | Sac, Toile | Sack, Tuck | Stiga |
| 18 | 181002303/2 | 1 | Sacco, Tela | Box, Fabric | Sac, Toile | Sack, Tuck | Castelgarden |