

Genuine Spare Parts

CRL 484 S - CSL 484 S

Catalogo delle parti di ricambio
Spare parts catalogue
Catalogue des pieces de rechange
Ersatzteilkatalog

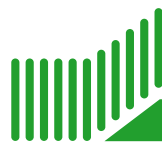
2011

- Use GLOBAL GARDEN PRODUCT Genuine Spare Parts specified in the parts list for repair and/or replacement.
- The contents described in the parts list may change due to improvement.
- The drawings of the spare parts are only indicative and might not represent the part in question exactly.
- The indications "right" - "left" - "front" - "rear" refer to the position of the operator when using the machine.
- When placing orders of parts for repair and/or replacement, make sure that the illustrated parts list is the one applying to the machine's year of manufacture, as shown on the identification plate attached to the machine.

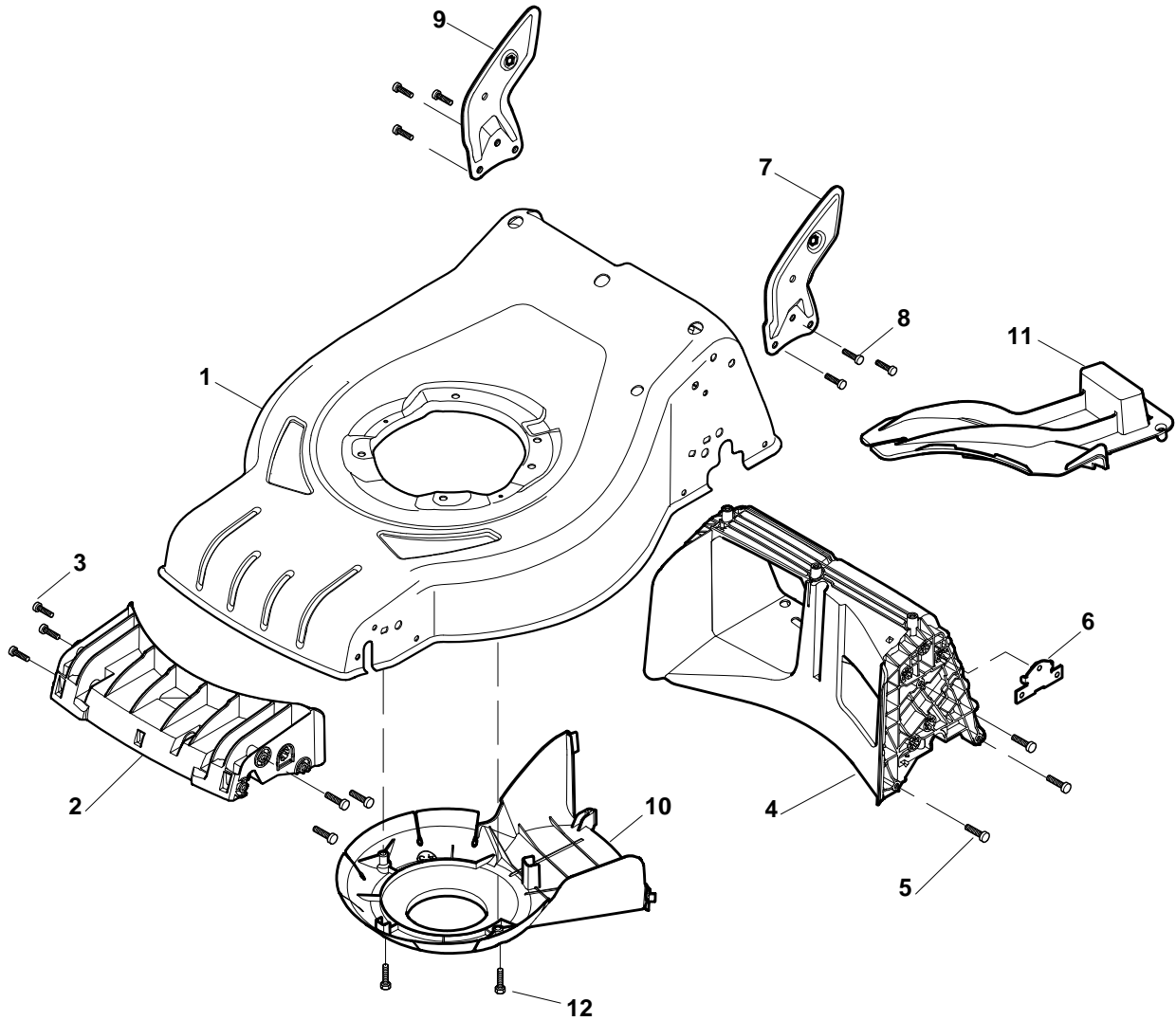
© Copyright 2011 Global Garden Products

All content is subject to copyright by Global Garden Products and may not be reproduced in whole or in part by any means, electronic or otherwise, without prior written approval.

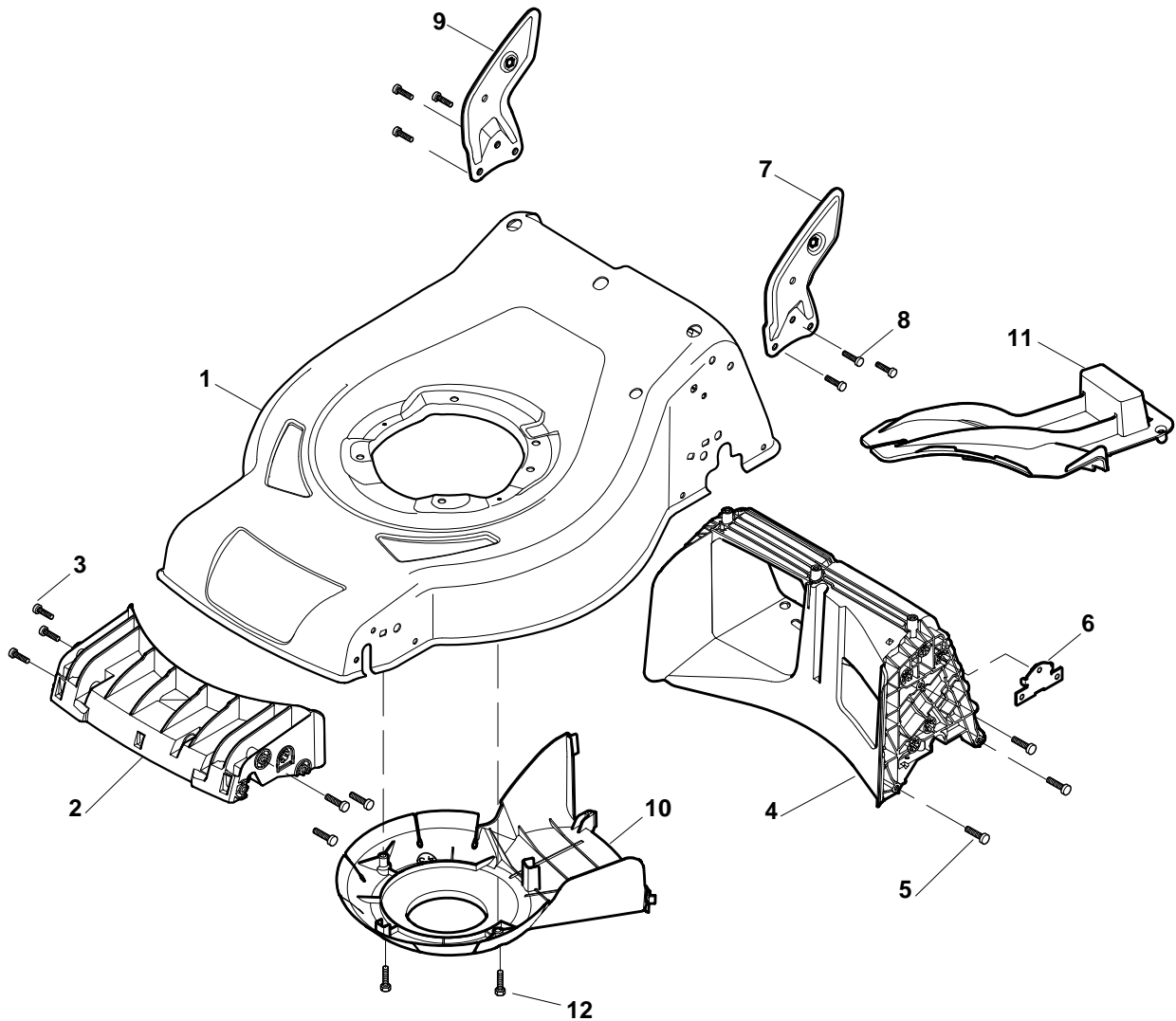
THIS INFORMATION IS NOT INTENDED FOR SALE OR RESALE, AND THIS NOTICE MUST REMAIN ON ALL COPIES.



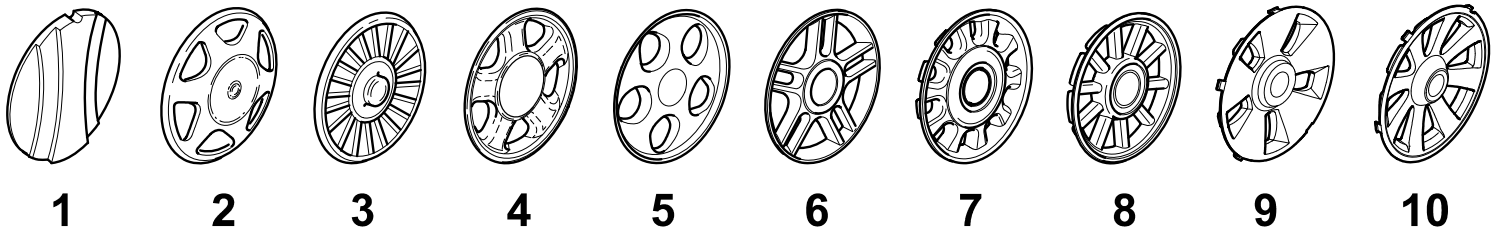
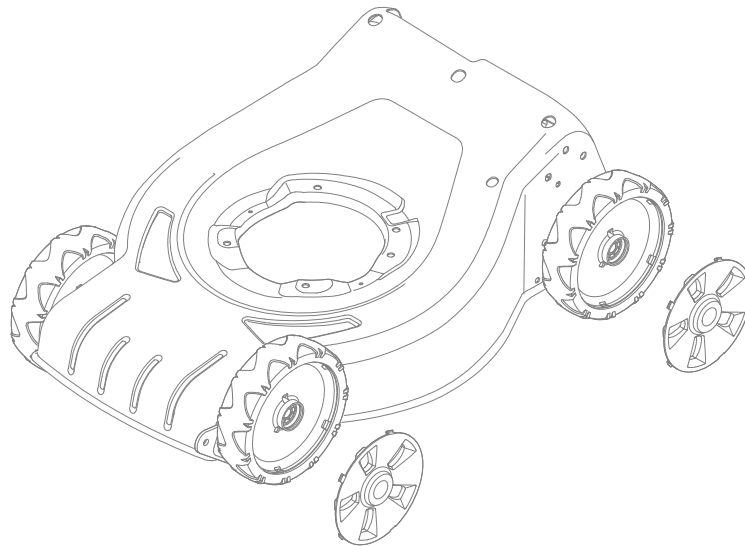
GLOBAL GARDEN PRODUCTS



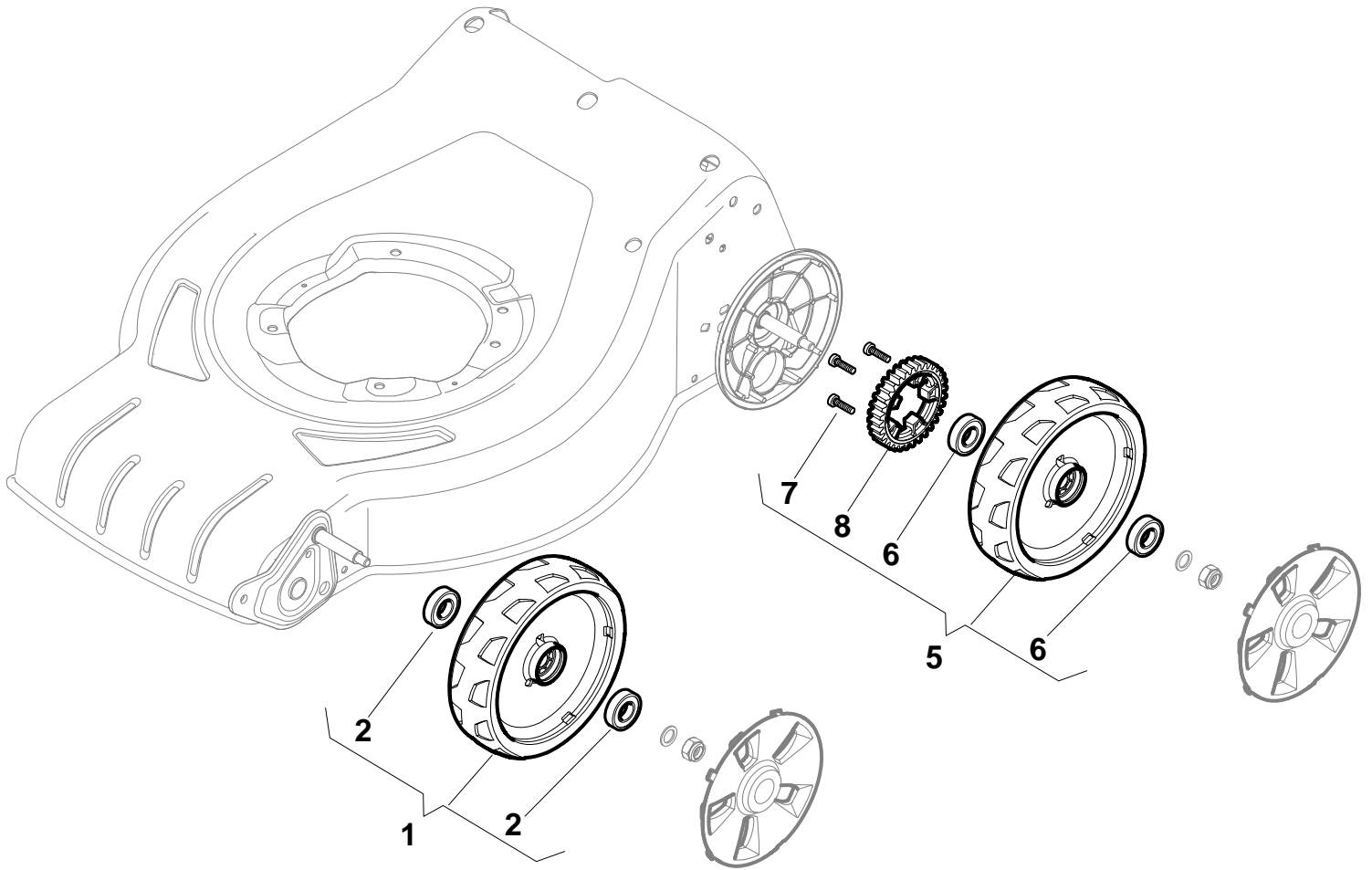
N.	CODE	Q.TY	DESCRIZIONE	DESCRIPTION	DESCRIPTION	BESCHREIBUNG	REMARK
1	381004018/0	1	Chassis Rosso	Deck Red	Châssis Rouge	Gehäuse Rot	
1	381004024/0	1	Chassis Nero	Deck Black	Châssis Noir	Gehäuse Schwarz	
2	322108301/0	1	Convogl. Anteriore	Front Conveyor Assy	Ens. Convoyeur Avant	Hinterleitblechvorder	
3	112728699/0	6	Vite	Screw	Vis	Schraube	
4	322108302/0	1	Convogl. Posteriore	Rear Conveyor Assy	Ens. Convoyeur Post.	Hinterleitblechsatz	
5	112728699/0	6	Vite	Screw	Vis	Schraube	
6	322545213/0	2	Piastrina	Plate	Plaquette	Platte	
7	381005139/0	1	Staffa Sx	Bracket, L	Bride G	Pratze, Linke	
8	112727801/0	6	Vite	Screw	Vis	Schraube	
9	381005137/0	1	Staffa Dx	Bracket, R	Bride D	Pratze, Rechte	
10	322060242/0	1	Carter Cinghia	Protection, Belt	Protection Courroie	Schutz, Riemen	
11	322140239/0	1	Deflettore	Deflector	Deflecteur	Deflektor	
12	12728530/0	2	Vite	Screw	Vis	Schraube	



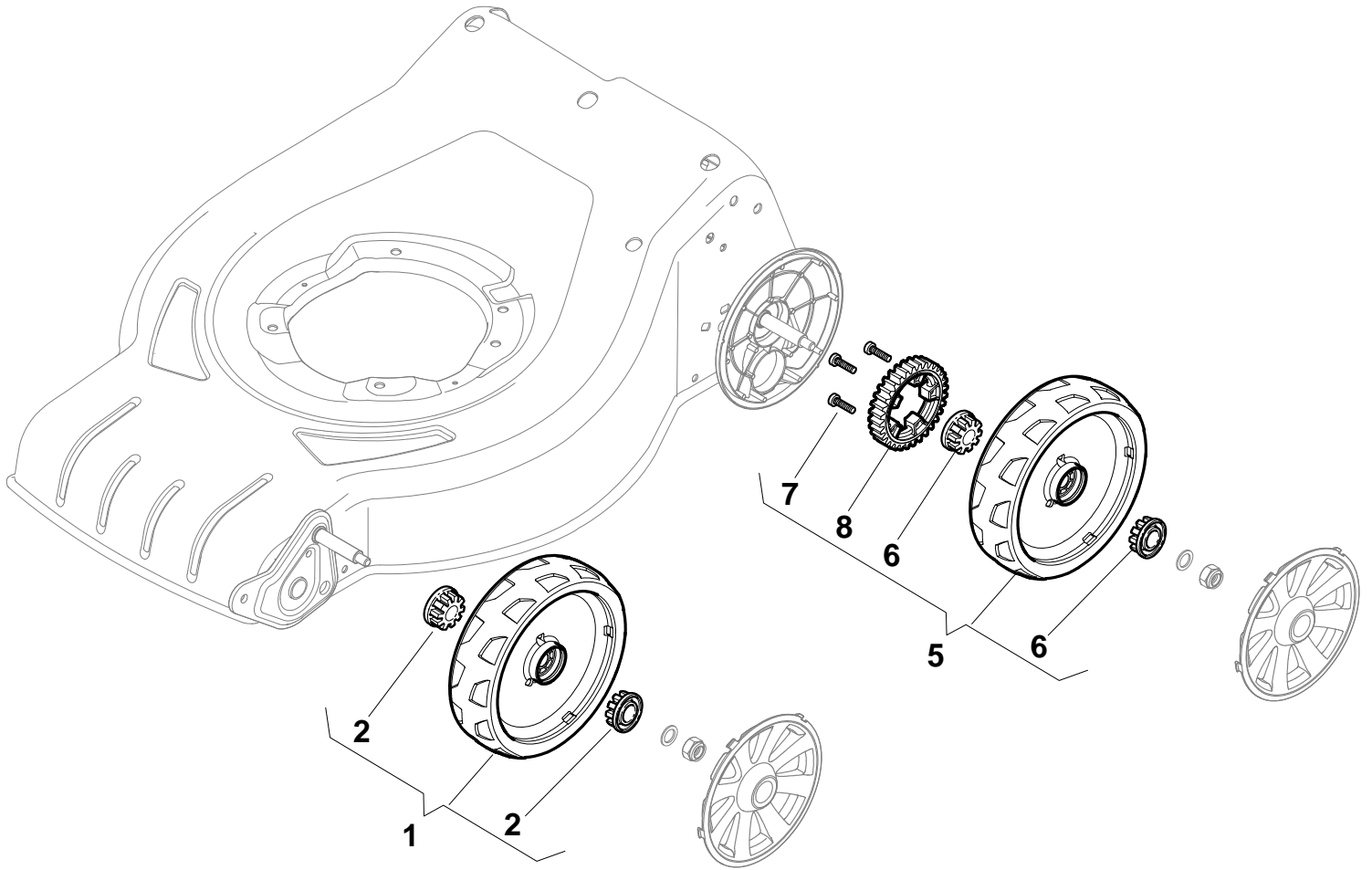
N.	CODE	Q.TY	DESCRIZIONE	DESCRIPTION	DESCRIPTION	BESCHREIBUNG	REMARK
1	381004020/0	1	Chassis Rosso	Deck Red	Châssis Rouge	Gehäuse Rot	
1	381004051/0	1	Chassis Nero	Deck Black	Châssis Noir	Gehäuse Schwarz	
2	322108301/0	1	Convogl. Anteriore	Front Conveyor Assy	Ens. Convoyeur Avant	Hinterleitblechvorder	
3	112728699/0	6	Vite	Screw	Vis	Schraube	
4	322108302/0	1	Convogl. Posteriore	Rear Conveyor Assy	Ens. Convoyeur Post.	Hinterleitblechsatz	
5	112728699/0	6	Vite	Screw	Vis	Schraube	
6	322545213/0	2	Piastrina	Plate	Plaquette	Platte	
7	381005139/0	1	Staffa Sx	Bracket, L	Bride G	Pratze, Linke	
8	112727801/0	6	Vite	Screw	Vis	Schraube	
9	381005137/0	1	Staffa Dx	Bracket, R	Bride D	Pratze, Rechte	
10	322060242/0	1	Carter Cinghia	Protection, Belt	Protection Courroie	Schutz, Riemen	
11	322140239/0	1	Deflettore	Deflector	Deflecteur	Deflektor	
12	12728530/0	2	Vite	Screw	Vis	Schraube	



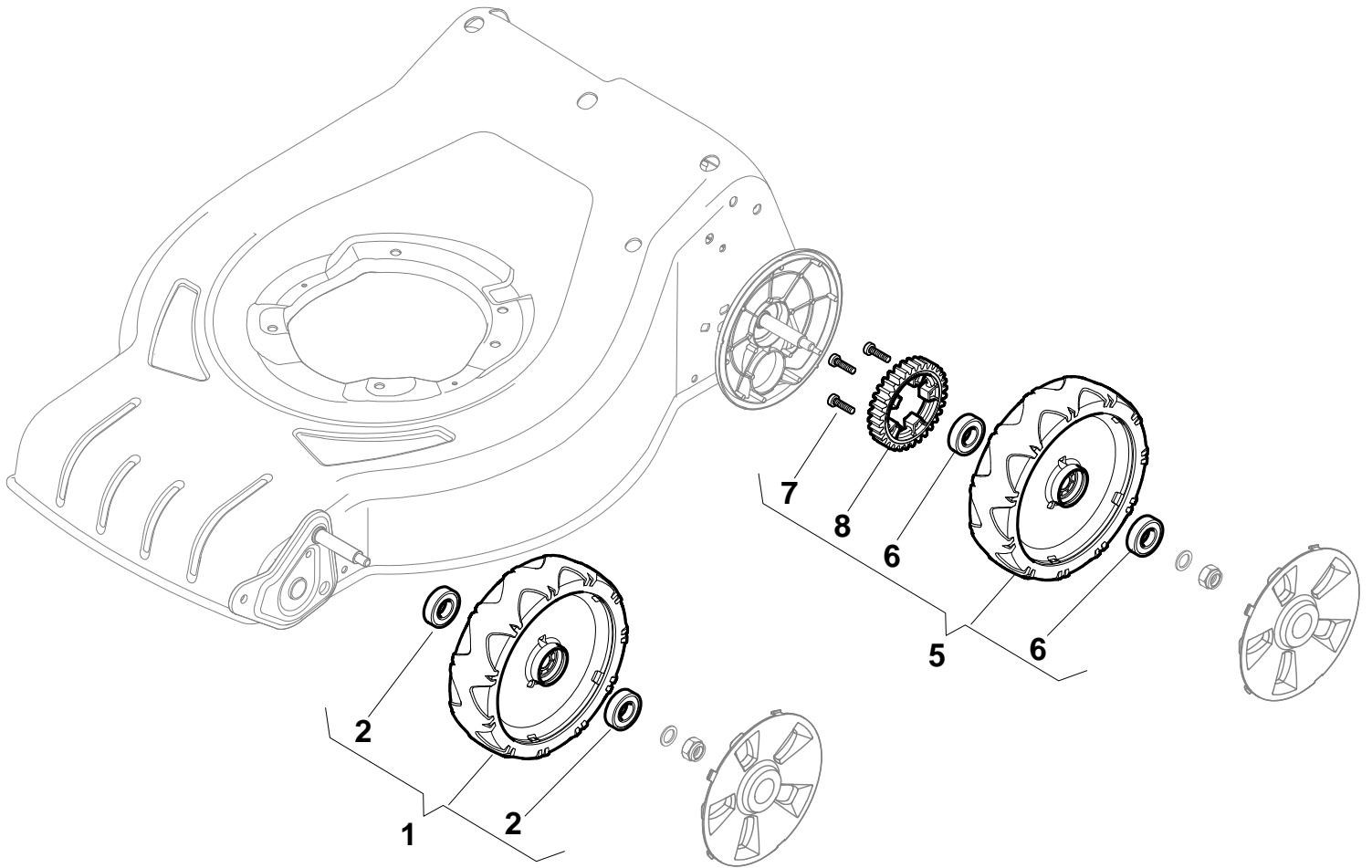
N.	CODE	Q.TY	DESCRIZIONE	DESCRIPTION	DESCRIPTION	BESCHREIBUNG	REMARK
A1	22110252/1	4	Coprimezzo Bianco	Hub Cap White	Couvre-Moyeu	Radkappe Weiße	
A1	22110254/1	4	Coprimezzo Giallo	Hub Cap Yellow	Couvre-Moyeu	Radkappe Gelbe	
A1	22110255/1	4	Coprimezzo Rosso	Hub Cap Red	Couvre-Moyeu	Radkappe Rote	
A1	22110381/0	4	Coprimezzo Grigio	Hub Cap Grey	Couvre-Moyeu Gris	Radkappe Grau	
A2	22110344/0	4	Coprimezzo Bianco	Hub Cap White	Couvre-Moyeu	Radkappe Weiße	
A2	22110395/0	4	Coprimezzo Grigio	Hub Cap Grey	Couvre-Moyeu Gris	Radkappe Grau	
A3	22110347/0	4	Coprimezzo Grigio	Hub Cap Grey	Couvre-Moyeu Gris	Radkappe Grau	
A4	22110381/0	4	Coprimezzo Grigio	Hub Cap Grey	Couvre-Moyeu Gris	Radkappe Grau	
A5	22110416/0	4	Coprimezzo Grigio	Hub Cap Grey	Couvre-Moyeu Gris	Radkappe Grau	
A6	22110491/0	4	Coprimezzo Grigio	Hub Cap Grey	Couvre-Moyeu Gris	Radkappe Grau	
A7	22110493/0	4	Coprimezzo Grigio	Hub Cap Grey	Couvre-Moyeu Gris	Radkappe Grau	
A8	22110495/0	4	Coprimezzo Grigio	Hub Cap Grey	Couvre-Moyeu Gris	Radkappe Grau	
A9	322110636/0	4	Coprimezzo Grigio	Hub Cap Grey	Couvre-Moyeu	Radkappe	
A10	322110638/0	4	Coprimezzo Grigio	Hub Cap Grey	Couvre-Moyeu	Radkappe	



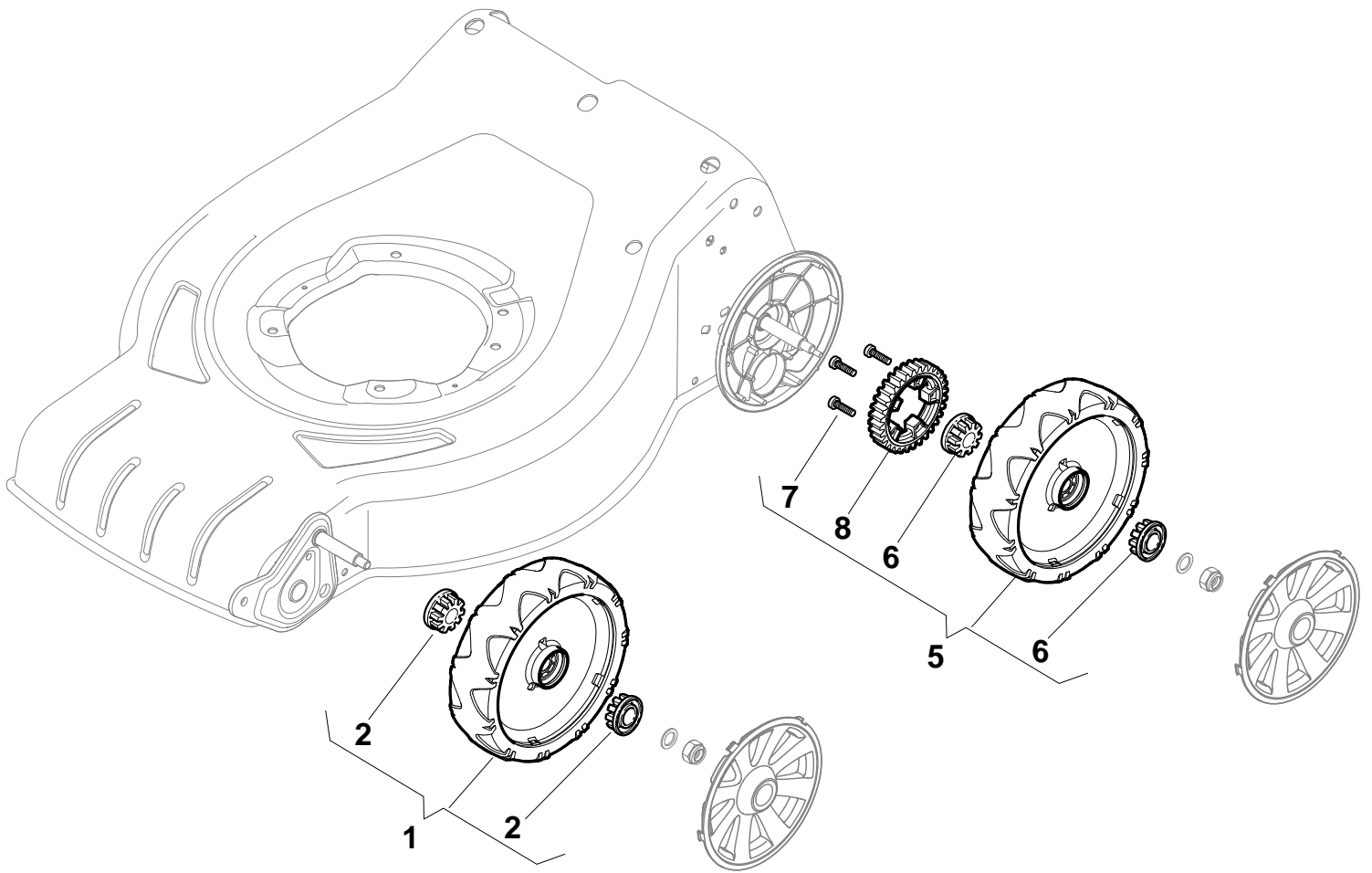
N.	CODE	Q.TY	DESCRIZIONE	DESCRIPTION	DESCRIPTION	BESCHREIBUNG	REMARK
1	381007448/0	2	Ruota Ø 180	Wheel Ø 180	Roue Ø 180	Rad Ø 180	
2	19216035/0	4	Cuscinetto	Bearing	Coussinet	Lager	
5	381007461/0	2	Ruota Ø 180	Wheel Ø 180	Roue Ø 180	Rad Ø 180	
6	19216035/0	4	Cuscinetto	Bearing	Coussinet	Lager	
7	112728706/0	6	Vite	Screw	Vis	Schraube	
8	322120116/0	2	Corona Trascinamento	Ring Gear	Couronne	Kranz	



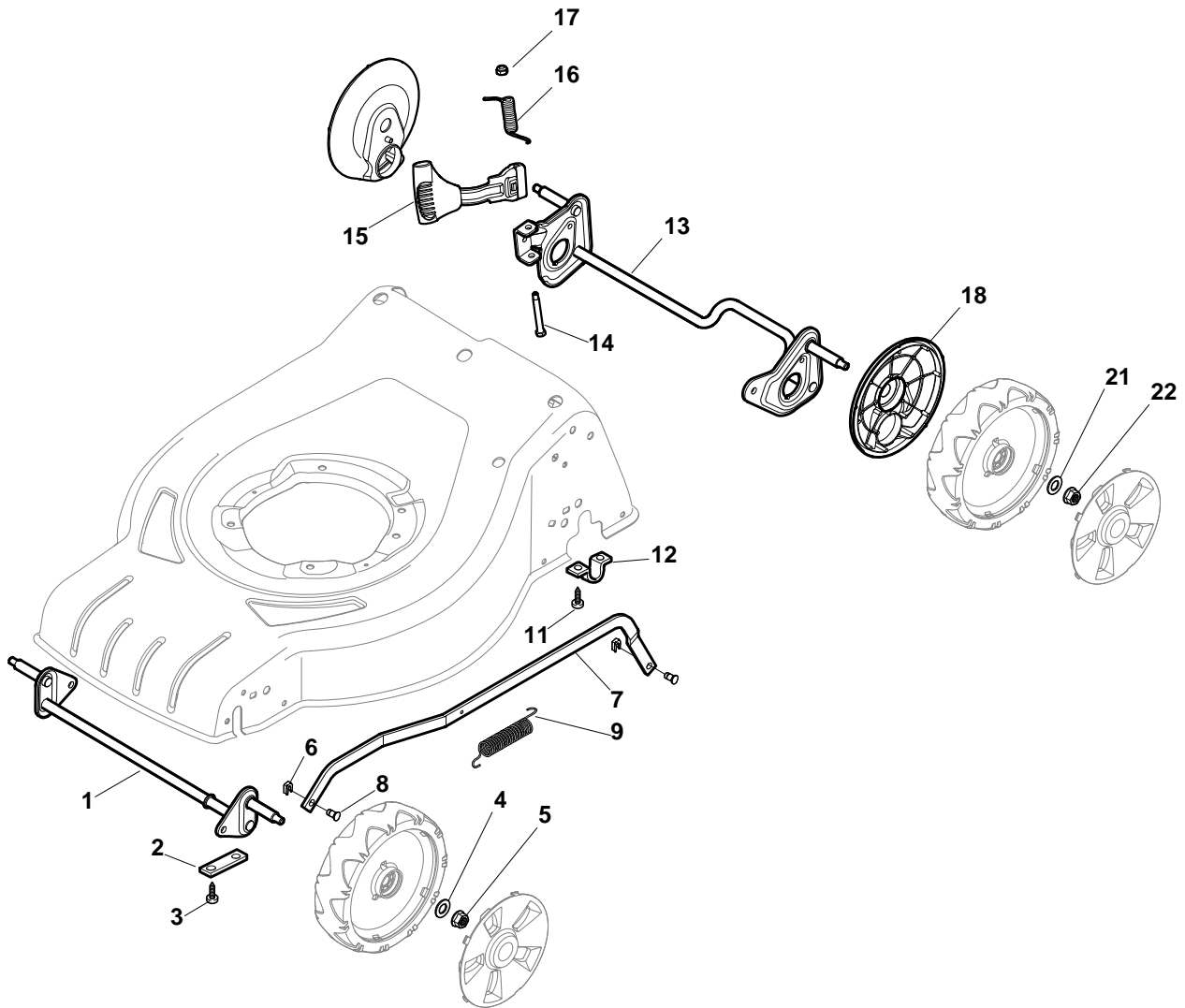
N.	CODE	Q.TY	DESCRIZIONE	DESCRIPTION	DESCRIPTION	BESCHREIBUNG	REMARK
1	381007442/0	2	Ruota Ø 180	Wheel Ø 180	Roue Ø 180	Rad Ø 180	
2	322042064/0	4	Bussola	Bush	Douille	Buchse	
5	381007460/0	2	Ruota Ø 180	Wheel Ø 180	Roue Ø 180	Rad Ø 180	
6	322042064/0	4	Bussola	Bush	Douille	Buchse	
7	112728706/0	6	Vite	Screw	Vis	Schraube	
8	322120116/0	2	Corona Trascinamento	Ring Gear	Couronne	Kranz	



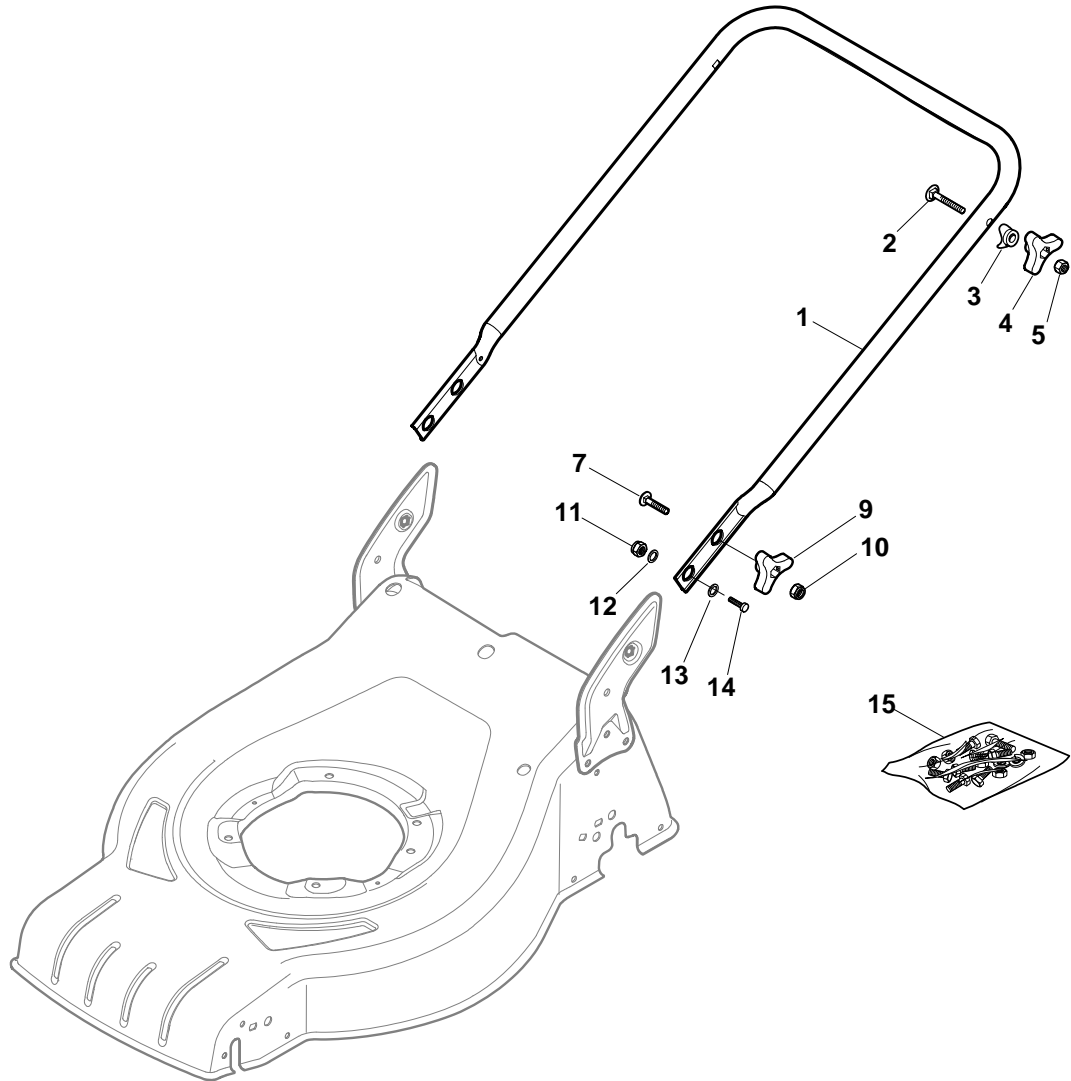
N.	CODE	Q.TY	DESCRIZIONE	DESCRIPTION	DESCRIPTION	BESCHREIBUNG	REMARK
1	381007455/0	2	Ruota Ø 180	Wheel Ø 180	Roue Ø 180	Rad Ø 180	
2	19216035/0	4	Cuscinetto	Bearing	Coussinet	Lager	
5	381007465/0	2	Ruota Ø 180	Wheel Ø 180	Roue Ø 180	Rad Ø 180	
6	19216035/0	4	Cuscinetto	Bearing	Coussinet	Lager	
7	112728706/0	6	Vite	Screw	Vis	Schraube	
8	322120116/0	2	Corona Trascinamento	Ring Gear	Couronne	Kranz	



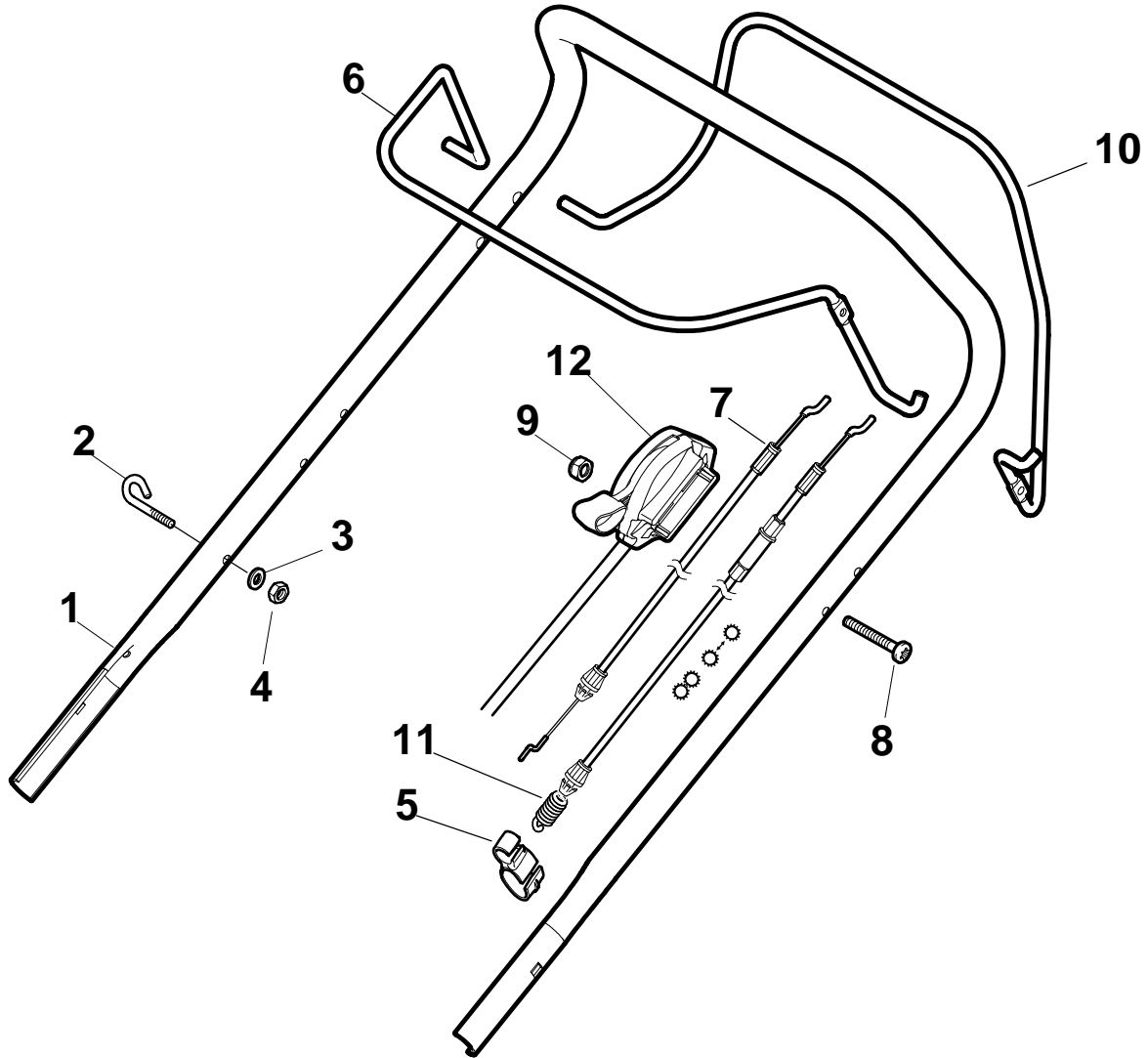
N.	CODE	Q.TY	DESCRIZIONE	DESCRIPTION	DESCRIPTION	BESCHREIBUNG	REMARK
1	381007445/0	2	Ruota Ø 180	Wheel Ø 180	Roue Ø 180	Rad Ø 180	
2	322042064/0	4	Bussola	Bush	Douille	Buchse	
5	381007464/0	2	Ruota Ø 180	Wheel Ø 180	Roue Ø 180	Rad Ø 180	
6	322042064/0	4	Bussola	Bush	Douille	Buchse	
7	112728706/0	6	Vite	Screw	Vis	Schraube	
8	322120116/0	2	Corona Trascinamento	Ring Gear	Couronne	Kranz	



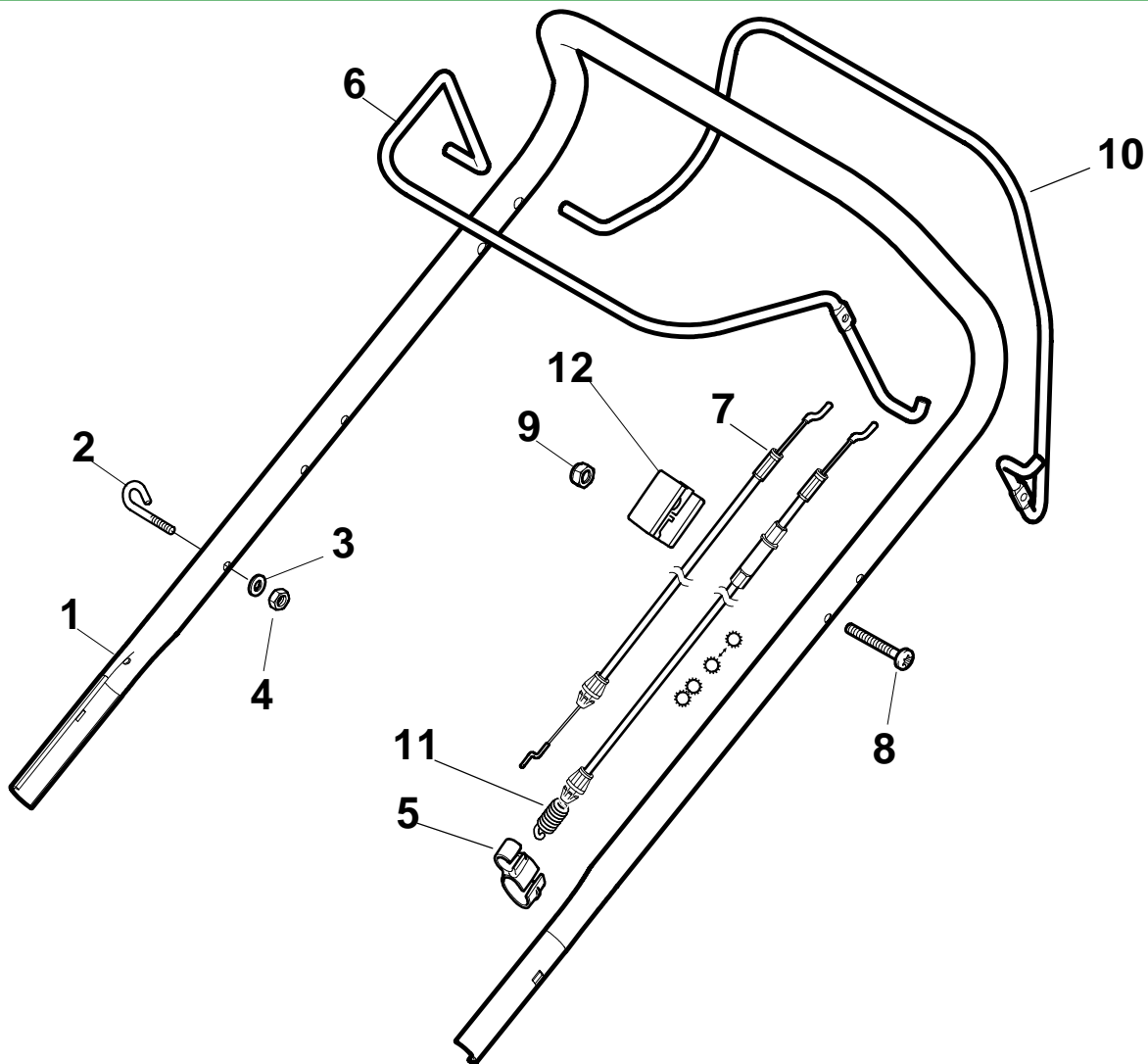
N.	CODE	Q.TY	DESCRIZIONE	DESCRIPTION	DESCRIPTION	BESCHREIBUNG	REMARK
1	381302821/0	1	Asse Ruote Anteriori	Axle, Front Wheels	Axe Roues Avant	Achse, Vorderrad	
2	22545142/0	2	Piastrina	Plate	Plaquette	Platte	
3	112728698/0	4	Vite	Screw	Vis	Schraube	
4	12521350/0	2	Rosetta	Washer	Rondelle	Scheibe	
5	12155000/0	2	Dado	Nut	Ecrou	Mutter	
6	112436051/0	2	Piastrina	Plate	Plaquette	Plättchen	
7	322869671/0	1	Asta Comando Regol. Altezza	Rod, Height Adjustment	Tige Commande Reglage Hauteur	Stange, Höheverstellung	
8	122519820/0	2	Perno	Pin	Pivot	Bolzen	
9	122446193/0	1	Molla	Spring	Ressort	Feder	
11	112728698/0	4	Vite	Screw	Vis	Schraube	
12	22545152/0	2	Piastrina	Plate	Plaquette	Platte	
13	381302819/0	1	Asse Ruote Posteriori	Axle, Rear Wheels	Axe Roues Arriere	Achse, Hinterrad	
14	122534131/0	1	Perno	Pin	Pivot	Bolzen	
15	381003356/0	1	Leva Regolazione Altezza	Lever, Height Adjustment	Levier, Reglage Hauteur	Hebel, Höheverstellung	
16	122446192/0	1	Molla	Spring	Ressort	Feder	
17	12154510/0	1	Dado	Nut	Ecrou	Mutter	
18	322600204/0	2	Prot. Ruote	Wheel Protection	Protection Roue	Schütz, Rechtes	
21	12521350/0	2	Rosetta	Washer	Rondelle	Scheibe	
22	12155000/0	2	Dado	Nut	Ecrou	Mutter	



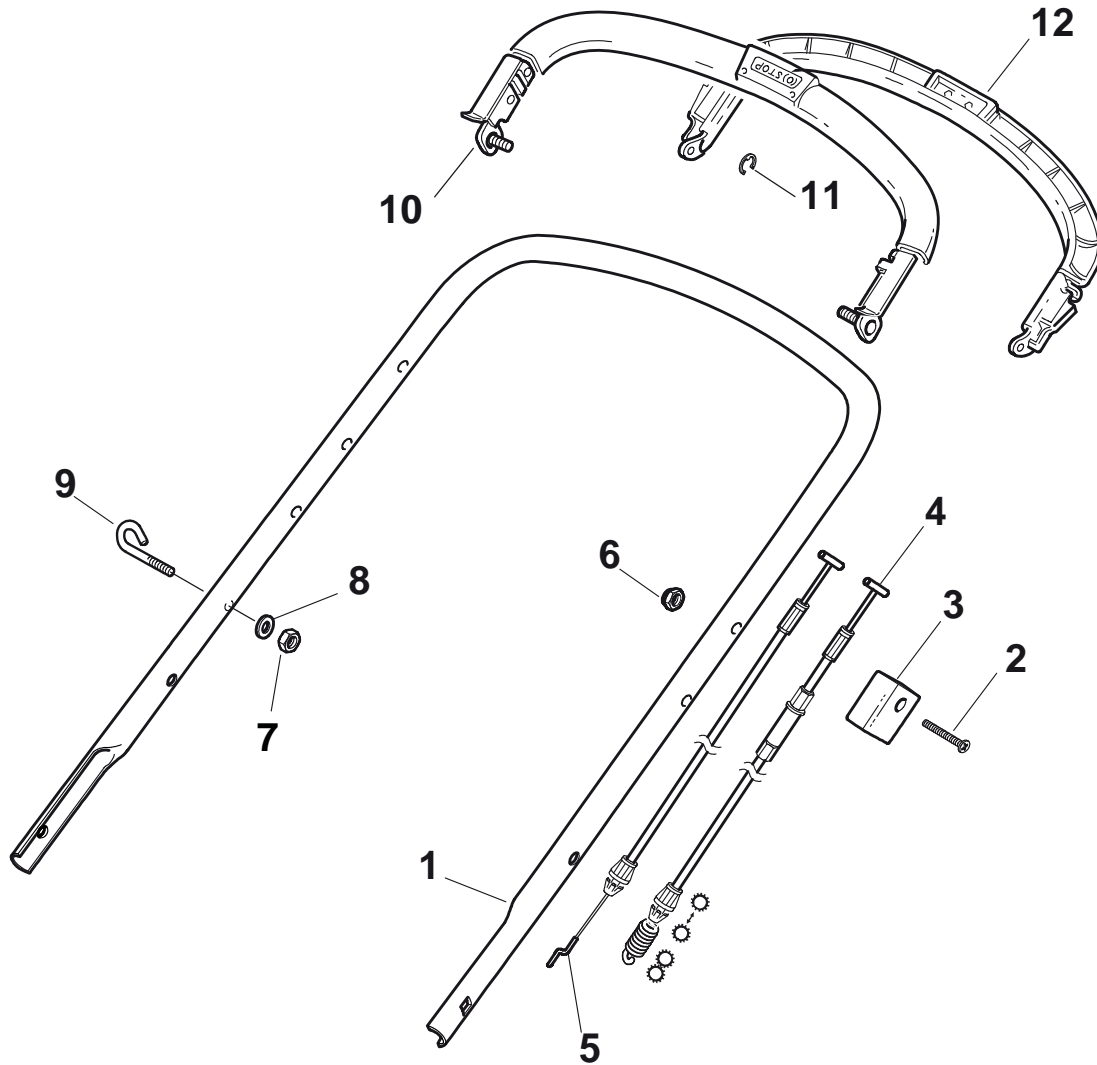
N.	CODE	Q.TY	DESCRIZIONE	DESCRIPTION	DESCRIPTION	BESCHREIBUNG	REMARK
1	381006737/0	1	Manico, Parte Inf	Handle, Lower Part	Mancheron, Partie Inferieure	Holm, Unterteil	
2	12819120/0	2	Vite	Screw	Vis	Schraube	
3	22680006/1	2	Rosetta	Washer	Rondelle	Scheibe	
4	22399900/0	2	Manopolina	Knob	Poignée	Griff	
5	12293200/0	2	Dado	Nut	Ecrou	Mutter	
7	12818900/0	2	Vite	Screw	Vis	Schraube	
9	22399900/0	2	Manopolina	Knob	Poignée	Griff	
10	12293200/0	2	Dado	Nut	Ecrou	Mutter	
11	12155000/0	2	Dado	Nut	Ecrou	Mutter	
12	12521350/0	2	Rosetta	Washer	Rondelle	Scheibe	
13	12369500/0	2	Rosetta Elastica	Elastic Washer	Rondelle Elastique	Elastische Scheibe	
14	12760605/0	2	Vite	Screw	Vis	Schraube	
15	381008691/0	1	Dotazione Viteria	Outfit, Screws	Dotation Visserie	Satz, Schrauben	



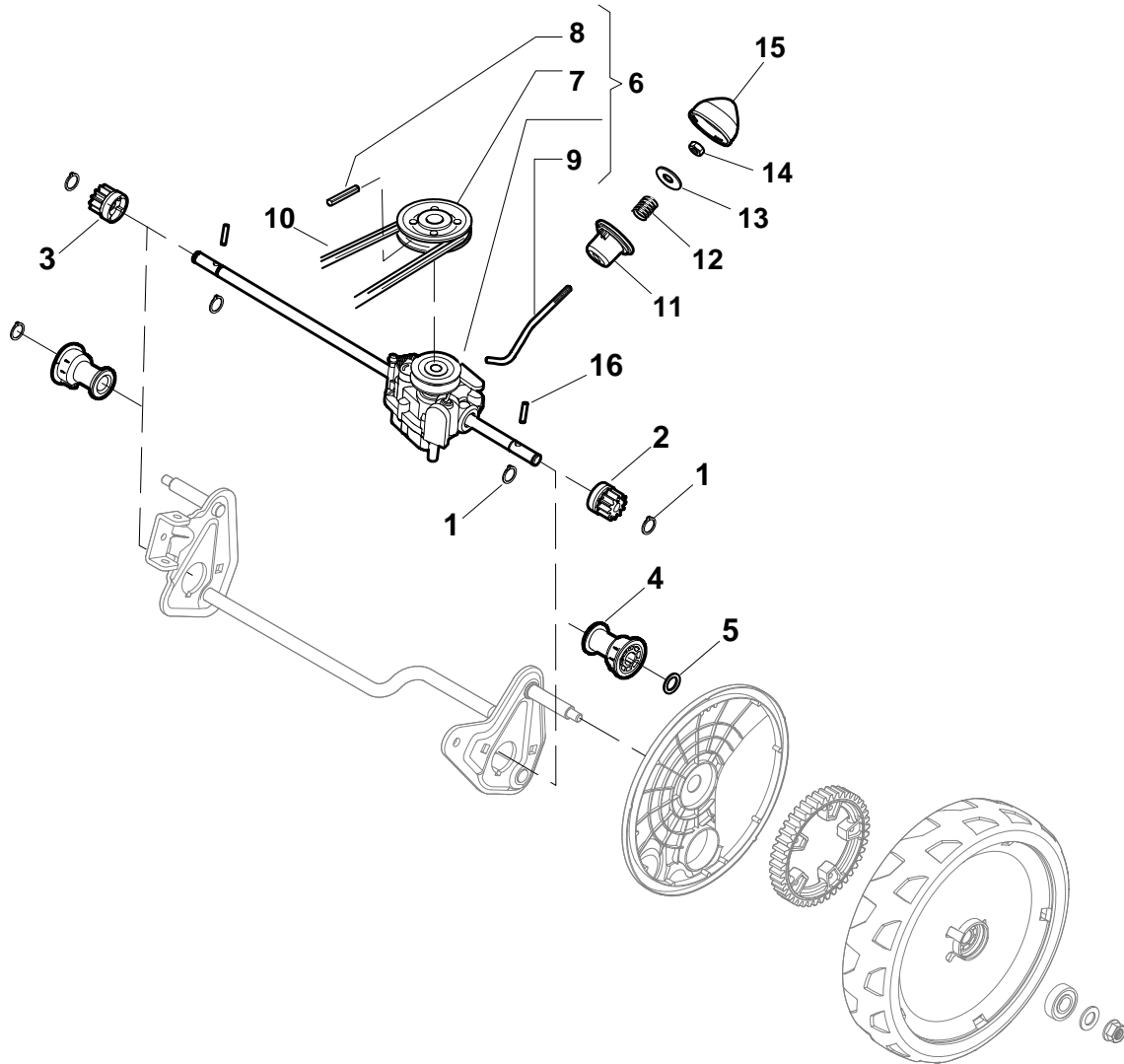
N.	CODE	Q.TY	DESCRIZIONE	DESCRIPTION	DESCRIPTION	BESCHREIBUNG	REMARK
1	381006739/0	1	Manico, Parte Sup	Handle, Upper Part	Mancheron, Partie Superieure	Holm, Oberteil	
1	381006745/0	1	Manico, Parte Sup. con impugantura in spugna	Handle, Upper Part with sponge handgrip	Mancheron, Partie Superieure avec éponge poignée	Holm, Oberteil Handgriff Schwamm	
2	22430313/0	1	Molla Guida	Guide Spring	Ressort De Guide	Feder Führer	
3	12521330/0	1	Rosetta	Washer	Rondelle	Scheibe	
4	12154510/0	1	Dado	Nut	Ecrou	Mutter	
5	118390020/0	1	Fermacavo	Fairlead	Fixation Cable	Kabelbefestigung	
6	181003363/1	1	Leva Freno Motore	Lever, Engine Brake	Levier Frein Moteur	Hebel, Motorbremse	Black
6	381003365/0	1	Leva Freno Motore	Lever, Engine Brake	Levier Frein Moteur	Hebel, Motorbremse	Yellow
6	381003376/0	1	Leva Freno Motore	Lever, Engine Brake	Levier Frein Moteur	Hebel, Motorbremse	Red
7	181030054/0	1	Cavo Freno Motore	Cable, Thread Engine Brake	Cable Frein Moteur	Kabel, Motorbremse	GGP
7	181030056/0	1	Cavo Freno Motore	Cable, Thread Engine Brake	Cable Frein Moteur	Kabel, Motorbremse	GGP
7	181030056/0	1	Cavo Freno Motore	Cable, Thread Engine Brake	Cable Frein Moteur	Kabel, Motorbremse	B&S
7	181030069/0	1	Cavo Freno Motore	Cable, Thread Eng. Brake	Cable Frein Moteur	Kabel, Motorbremse	HONDA
8	12727783/0	1	Vite	Screw	Vis	Schraube	
9	12154510/0	1	Dado	Nut	Ecrou	Mutter	
10	181003364/0	1	Leva Trazione	Lever, Driving	Levier Traction	Hebel, Antrieb	Black
10	381003366/0	1	Leva Trazione	Lever, Driving	Levier Traction	Hebel, Antrieb	Yellow
10	381003377/0	1	Leva Trazione	Lever, Driving	Levier Traction	Hebel, Antrieb	Red
11	381030051/0	1	Cavo Comando Trazione	Cable, Rear Drive	Câble, Commande Traction	Kabel, Antrieb	
12	181005504/1	1	Cavo Acceleratore	Throttle Cable	Cable, Accelérateur	Gashebel Kabel	(GGP 150cc)
12	181005511/0	1	Cavo Acceleratore	Throttle Cable	Cable, Accelérateur	Gashebel Kabel	B&S
12	181005517/0	1	Cavo Acceleratore	Throttle Cable	Cable, Accelérateur	Gashebel Kabel	HONDA
12	181005517/0	1	Cavo Acceleratore	Throttle Cable	Cable, Accelérateur	Gashebel Kabel	GGP



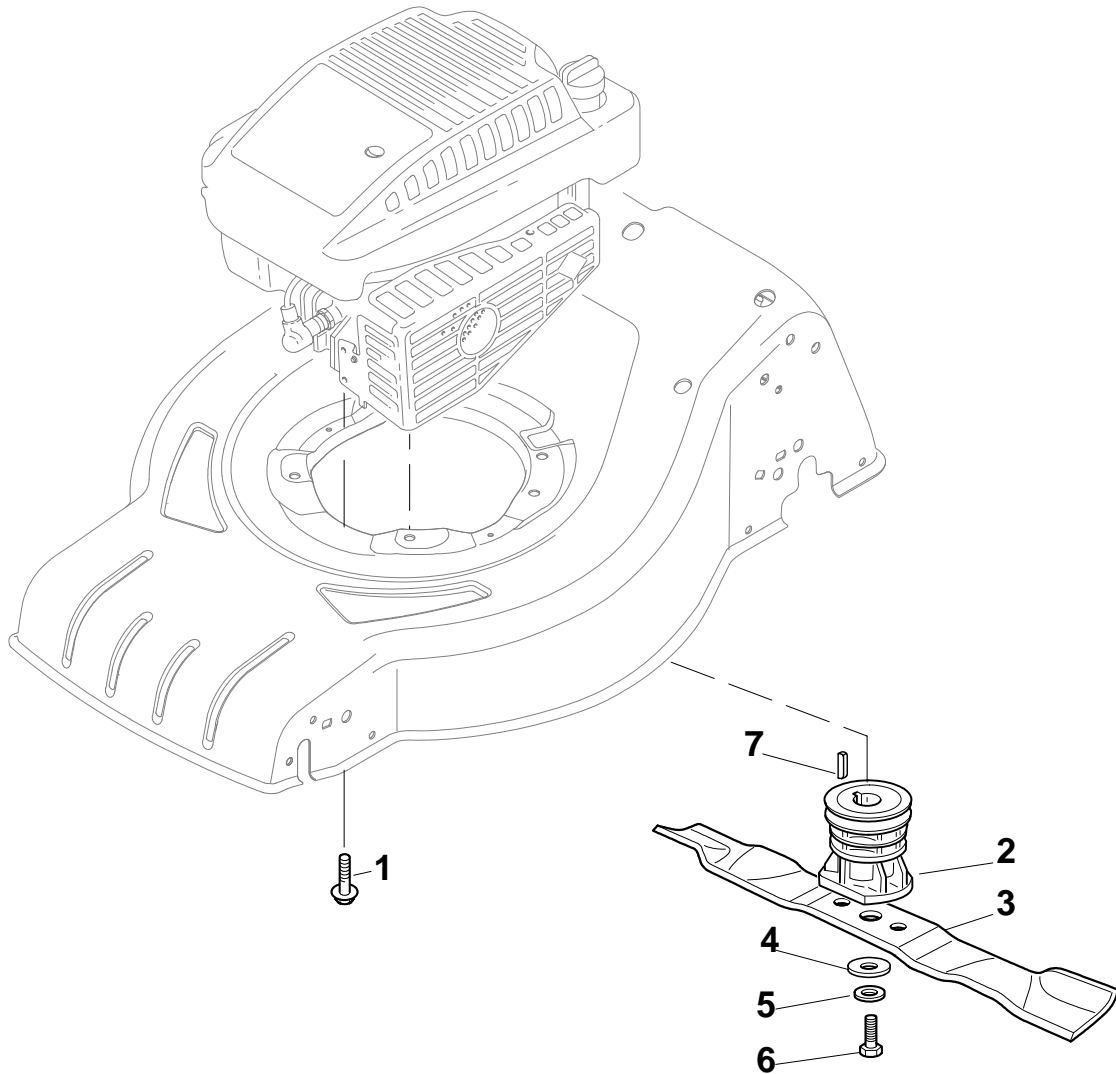
N.	CODE	Q.TY	DESCRIZIONE	DESCRIPTION	DESCRIPTION	BESCHREIBUNG	REMARK
1	381006739/0	1	Manico, Parte Sup	Handle, Upper Part	Mancheron, Partie Superieure	Holm, Oberteil	
1	381006745/0	1	Manico, Parte Sup. con impugantura in spugna	Handle, Upper Part with sponge handgrip	Mancheron, Partie Superieure avec éponge poignée	Holm, Oberteil Handgriff Schwamm	
2	22430313/0	1	Molla Guida	Guide Spring	Ressort De Guide	Feder Führer	
3	12521330/0	1	Rosetta	Washer	Rondelle	Scheibe	
4	12154510/0	1	Dado	Nut	Ecrou	Mutter	
5	118390020/0	1	Fermacavo	Fairlead	Fixation Cable	Kabelbefestigung	
6	181003363/1	1	Leva Freno Motore	Lever, Engine Brake	Levier Frein Moteur	Hebel, Motorbremse	Black
6	381003365/0	1	Leva Freno Motore	Lever, Engine Brake	Levier Frein Moteur	Hebel, Motorbremse	Yellow
6	381003376/0	1	Leva Freno Motore	Lever, Engine Brake	Levier Frein Moteur	Hebel, Motorbremse	Red
7	181030054/0	1	Cavo Freno Motore	Cable, Thread Engine Brake	Cable Frein Moteur	Kabel, Motorbremse	GGP
7	181030056/0	1	Cavo Freno Motore	Cable, Thread Engine Brake	Cable Frein Moteur	Kabel, Motorbremse	GGP
7	181030056/0	1	Cavo Freno Motore	Cable, Thread Engine Brake	Cable Frein Moteur	Kabel, Motorbremse	B&S
7	181030069/0	1	Cavo Freno Motore	Cable, Thread Eng. Brake	Cable Frein Moteur	Kabel, Motorbremse	HONDA
8	12727783/0	1	Vite	Screw	Vis	Schraube	
9	12154510/0	1	Dado	Nut	Ecrou	Mutter	
10	181003364/0	1	Leva Trazione	Lever, Driving	Levier Traction	Hebel, Antrieb	Black
10	381003366/0	1	Leva Trazione	Lever, Driving	Levier Traction	Hebel, Antrieb	Yellow
10	381003377/0	1	Leva Trazione	Lever, Driving	Levier Traction	Hebel, Antrieb	Red
11	381030051/0	1	Cavo Comando Trazione	Cable, Rear Drive	Câble, Commande Traction	Kabel, Antrieb	
12	22551640/0	1	Piastrina	Plate	Plaquette	Plättchen	



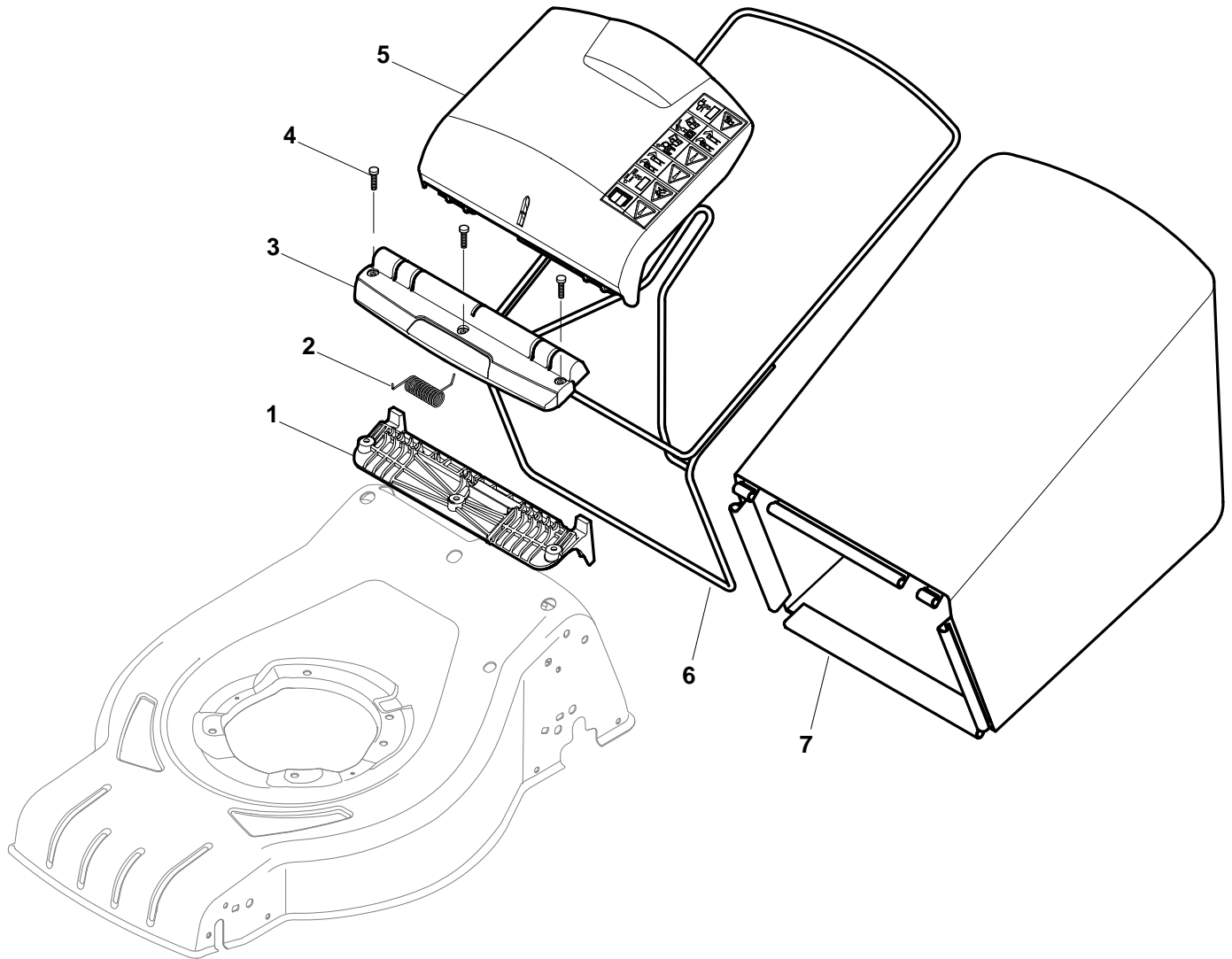
N.	CODE	Q.TY	DESCRIZIONE	DESCRIPTION	DESCRIPTION	BESCHREIBUNG	REMARK
1	381006740/0	1	Manico, Parte Sup	Handle, Upper Part	Mancheron, Partie Superieure	Holm, Oberteil	
2	12727787/0	1	Vite	Screw	Vis	Schraube	
3	22551640/0	1	Piastrina	Plate	Plaquette	Plättchen	
4	381030085/0	1	Cavo Comando Trazione	Cable, Rear Drive	Câble, Comm. Traction	Kabel, Antrieb	
5	181030054/0	1	Cavo Freno Motore	Cable, Thread Engine Brake	Cable Frein Moteur	Kabel, Motorbremse	
5	181030056/0	1	Cavo Freno Motore	Cable, Thread Engine Brake	Cable Frein Moteur	Kabel, Motorbremse	(GGP 150cc)
5	181030057/0	1	Cavo Freno Motore	Cable, Thread Engine Brake	Cable Frein Moteur	Kabel, Motorbremse	
6	12154510/0	1	Dado	Nut	Ecrou	Mutter	
7	12154510/0	1	Dado	Nut	Ecrou	Mutter	
8	12521330/0	1	Rosetta	Washer	Rondelle	Scheibe	
9	22430313/0	1	Molla Guida	Guide Spring	Ressort De Guide	Feder Führer	
10	181003369/0	1	Leva Freno Motore	Lever, Engine Brake	Levier Frein Moteur	Hebel, Motorbremse	
11	181003371/0	1	Leva Trazione	Driving Lever	Levier Traction	Antriebhebel	
12	12000930/0	1	Anello Elastico	Snap Ring	Anneau Ressort	Sprenging	



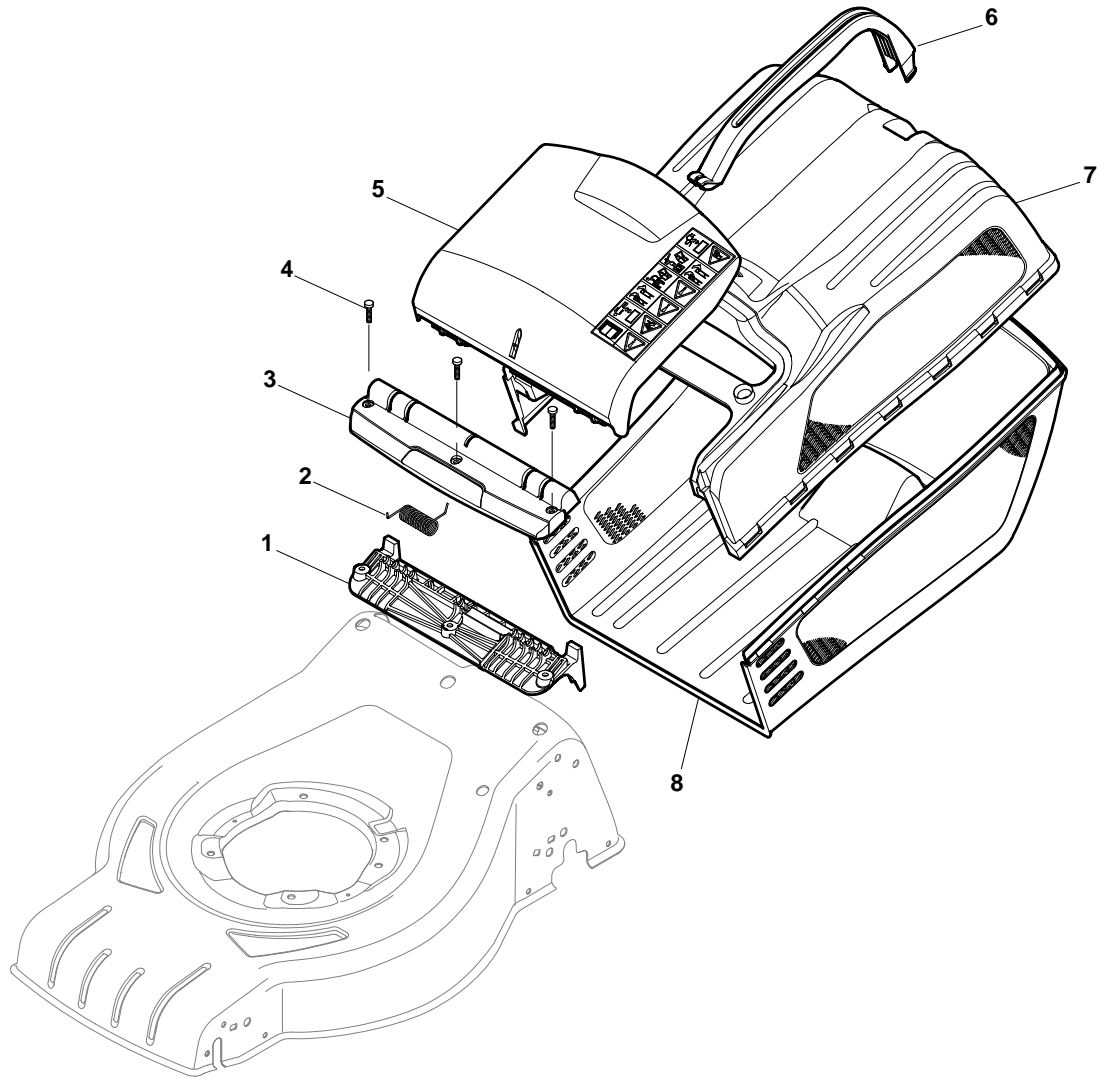
N.	CODE	Q.TY	DESCRIZIONE	DESCRIPTION	DESCRIPTION	BESCHREIBUNG	REMARK
1	12608600/0	4	Seeger	Seeger	Seeger	Seeger	
2	22570120/1	1	Pignone Sx	Pinion L	Pignon G	Ritzel Linkes	
3	22570110/1	1	Pignone Dx	Pinion R	Pignon D	Ritzel Rechtes	
4	322042066/0	2	Bussola	Bush	Douille	Buchse	
5	112521371/0	2	Rosetta	Washer	Rondelle	Scheibe	
6	81003092/0	1	Gruppo Trazione	Gear Box	Groupe Traction	Antrieb	
7	22601904/0	1	Puleggia	Pulley	Poulie	Riemenscheibe	
8	12645700/0	1	Spina	Pin	Goupille	Stift	
9	22033283/0	1	Asta Regolazione	Adjustment Rod	Tige Reglage	Verstellungstange	
10	35063800/0	1	Cinghia Z 27	Belt Z 27	Courroie Z 27	Riemen Z 27	
11	22041957/1	1	Bussola	Bush	Douille	Buchse	
12	22450063/0	1	Molla	Spring	Ressort	Feder	
13	22680009/0	1	Rosetta	Washer	Rondelle	Scheibe	
14	12154510/0	1	Dado	Nut	Ecrou	Mutter	
15	22110230/0	1	Tappo	Cap	Bouchon	Gummistopfen	
16	22753000/0	2	Spina	Pin	Goupille	Stift	



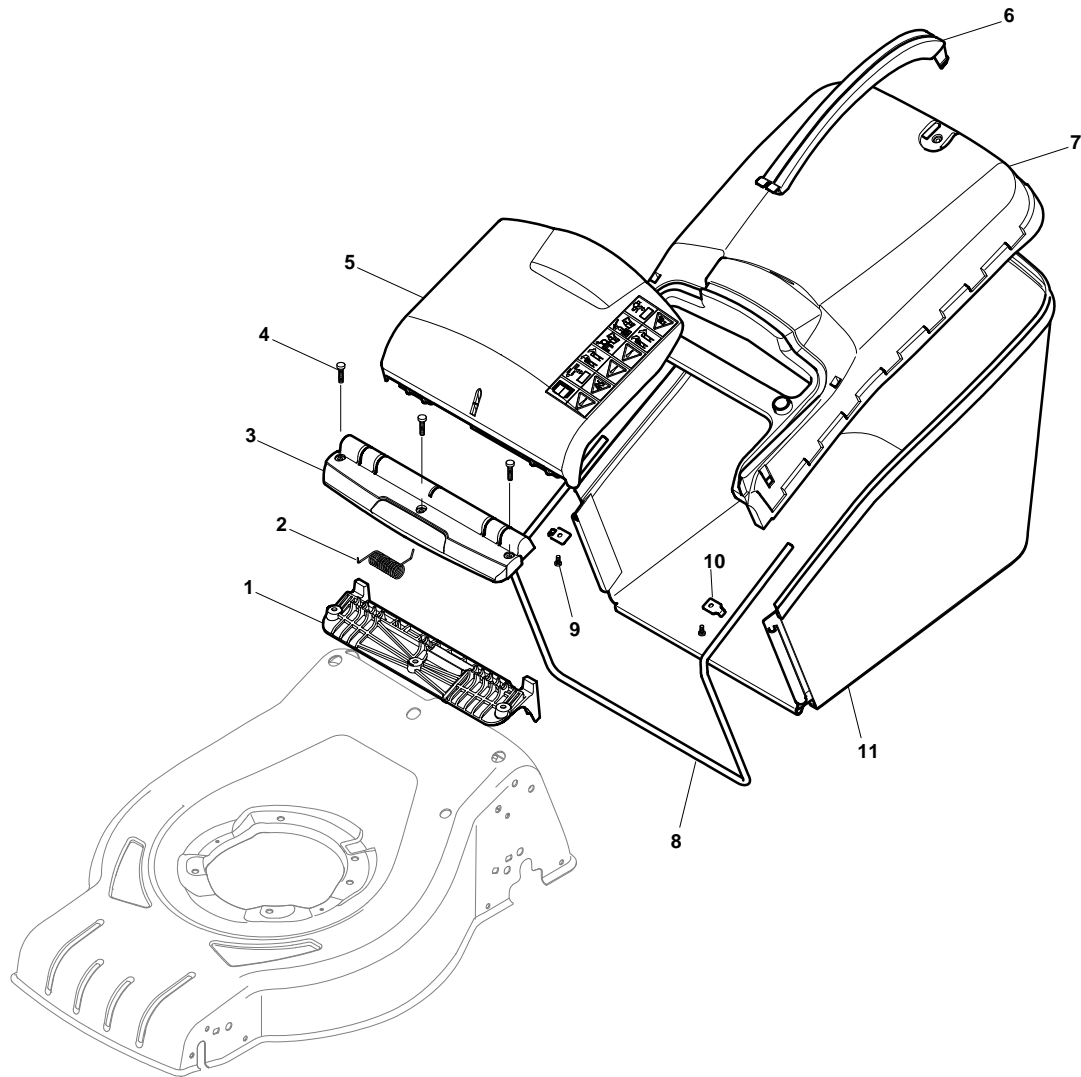
N.	CODE	Q.TY	DESCRIZIONE	DESCRIPTION	DESCRIPTION	BESCHREIBUNG	REMARK
1	112735108/1	3	Vite	Screw	Vis	Schraube	
1	112735108/1	2	Vite	Screw	Vis	Schraube	
1	112735109/1	1	Vite	Screw	Vis	Schraube	
2	122465607/3	1	Mozzo, Albero Motore Ø 22.2	Hub, Crankshaft Ø 22.2	Moyeu, Arbre Moteur Ø 22.2	Halter, Motorwelle Ø 22.2	B&S-GGP
2	122465608/2	1	Mozzo, Albero Motore Ø 25	Hub, Crankshaft Ø 25	Moyeu, Arbre Moteur Ø 25	Halter, Motorwelle Ø 25	HONDA
3	81004346/3	1	Coltello Standard	Blade Standard	Lame Standard	Messer Standard	484
4	22160400/0	1	Disco Elastico	Elastic Washer	Rondelle Elastique	Elastischescheibe	
5	12523080/0	1	Rosetta	Washer	Rondelle	Scheibe	
6	12735698/0	1	Vite	Screw	Vis	Schraube	
7	12139100/0	1	Linguetta, Albero Motore Ø 22.2	Feather, Crankshaft Ø 22.2	Clavette, Arbre Moteur Ø 22.2	Keil, Motorwelle Ø 22.2	B&S-GGP
7	12139150/0	1	Linguetta, Albero Motore Ø 25	Feather, Crankshaft Ø 25	Clavette, Arbre Moteur Ø 25	Keil, Motorwelle Ø 25	HONDA



N.	CODE	Q.TY	DESCRIZIONE	DESCRIPTION	DESCRIPTION	BESCHREIBUNG	REMARK
1	322785331/0	1	Supporto	Support	Support	Halter	
2	122450464/0	1	Molla	Spring	Ressort	Feder	
3	322109556/0	1	Copertura	Cover	Couvre	Kappe	Yellow
3	322109557/0	1	Copertura	Cover	Couvre	Kappe	Grey
4	112728699/0	3	Vite	Screw	Vis	Schraube	
5	322600214/0	1	Parasassi	Stone-Guard	Pare-Pierres	Prallblech	Yellow
5	322600216/0	1	Parasassi	Stone-Guard	Pare-Pierres	Prallblech	Grey
6	181006409/0	1	Telaio Sacco	Chassis Box	Châssis Bac	Rahmen Sack	
7	181002319/0	1	Sacco, Tela	Box, Fabric	Sac, Toile	Sack, Tuck	



N.	CODE	Q.TY	DESCRIZIONE	DESCRIPTION	DESCRIPTION	BESCHREIBUNG	REMARK
1	322785331/0	1	Supporto	Support	Support	Halter	
2	122450464/0	1	Molla	Spring	Ressort	Feder	
3	322109556/0	1	Copertura	Cover	Couvre	Kappe	Yellow
3	322109557/0	1	Copertura	Cover	Couvre	Kappe	Grey
4	112728699/0	3	Vite	Screw	Vis	Schraube	
5	322600214/0	1	Parasassi	Stone-Guard	Pare-Pierres	Prallblech	Yellow
5	322600216/0	1	Parasassi	Stone-Guard	Pare-Pierres	Prallblech	Grey
6	322393645/0	1	Maniglia	Handle	Poignée	Griff	
7	322486263/0	1	Parte Sup.Sacco	Grassbox Upper Part	Sac, Partie Superieure	Korb Oberteil	
8	322486267/0	1	Parte Infer. Sacco	Grassbox Lower Part	Sac, Partie Inferieure	Korb Unterteil	



N.	CODE	Q.TY	DESCRIZIONE	DESCRIPTION	DESCRIPTION	BESCHREIBUNG	REMARK
1	322785331/0	1	Supporto	Support	Support	Halter	
2	122450464/0	1	Molla	Spring	Ressort	Feder	
3	322109556/0	1	Copertura	Cover	Couvre	Kappe	Yellow
3	322109557/0	1	Copertura	Cover	Couvre	Kappe	Grey
4	112728699/0	3	Vite	Screw	Vis	Schraube	
5	322600214/0	1	Parasassi	Stone-Guard	Pare-Pierres	Prallblech	Yellow
5	322600216/0	1	Parasassi	Stone-Guard	Pare-Pierres	Prallblech	Grey
6	322393646/0	1	Maniglia	Handle	Poignée	Griff	
6	322393649/0	1	Maniglia	Handle	Poignée	Griff	
7	322486264/0	1	Parte Sup.Sacco	Grassbox Upper Part	Sac, Partie Superieure	Korb Oberteil	
7	322486270/0	1	Parte Sup.Sacco	Grassbox Upper Part	Sac, Partie Superieure	Korb Oberteil	
8	122608561/0	1	Rinforzo Inf	Stiffening Lower	Réinforcement Inf	Verstärkung	
9	322545159/0	2	Piastrina	Plate	Plaquette	Plättchen	
10	12728692/0	2	Vite	Screw	Vis	Schraube	
11	181002318/0	1	Sacco, Tela	Box, Fabric	Sac, Toile	Sack, Tuck	