

# Genuine Spare Parts

7F@) ' ( 'KE!'7G@) ' ( 'KE

Catalogo delle parti di ricambio  
Spare parts catalogue  
Catalogue des pieces de rechange  
Ersatzteilkatalog

# 2011

- Use GLOBAL GARDEN PRODUCT Genuine Spare Parts specified in the parts list for repair and/or replacement.
- The contents described in the parts list may change due to improvement.
- The drawings of the spare parts are only indicative and might not represent the part in question exactly.
- The indications "right" - "left" - "front" - "rear" refer to the position of the operator when using the machine.
- When placing orders of parts for repair and/or replacement, make sure that the illustrated parts list is the one applying to the machine's year of manufacture, as shown on the identification plate attached to the machine.

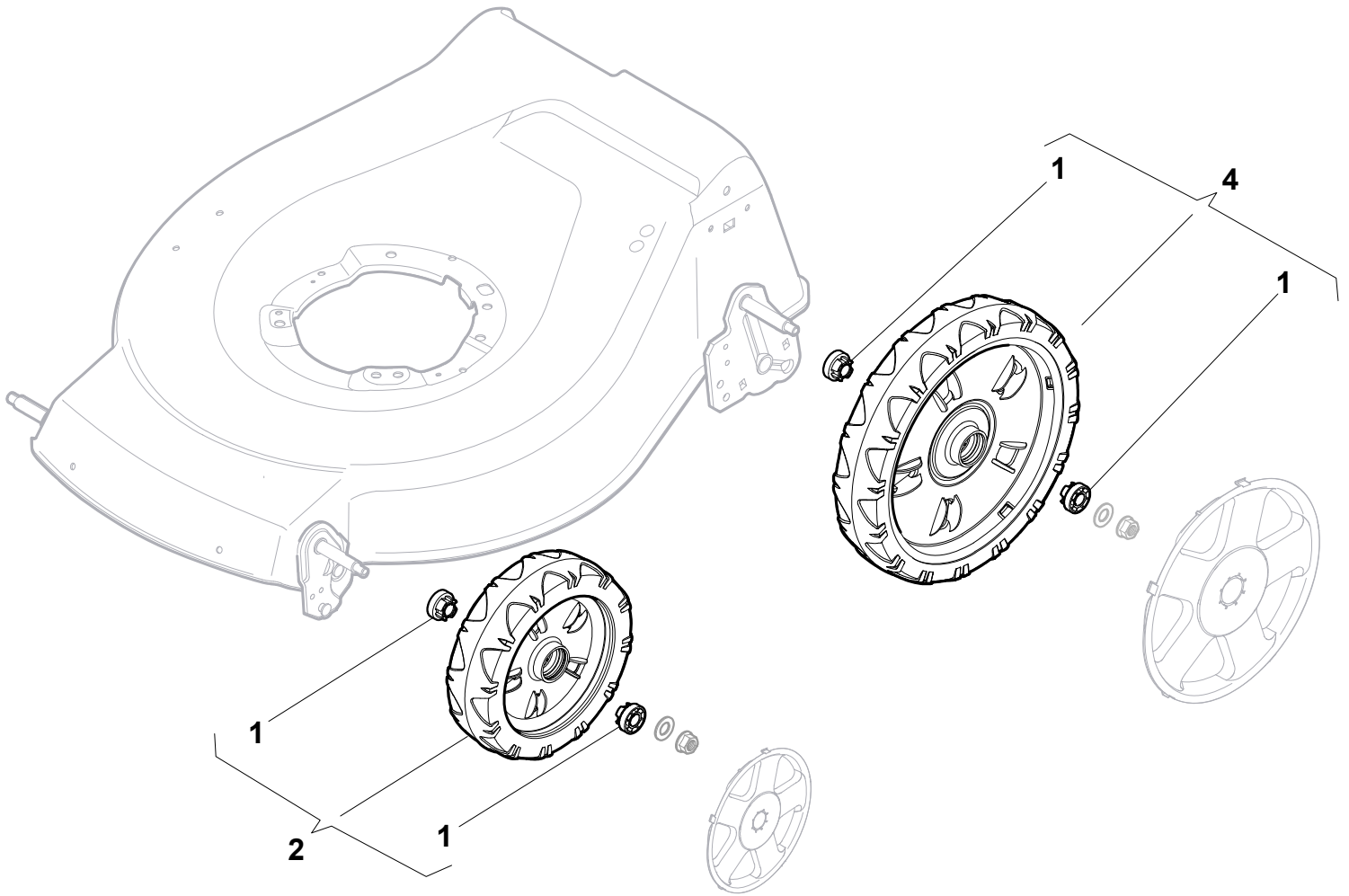
© Copyright 2011 Global Garden Products

All content is subject to copyright by Global Garden Products and may not be reproduced in whole or in part by any means, electronic or otherwise, without prior written approval.

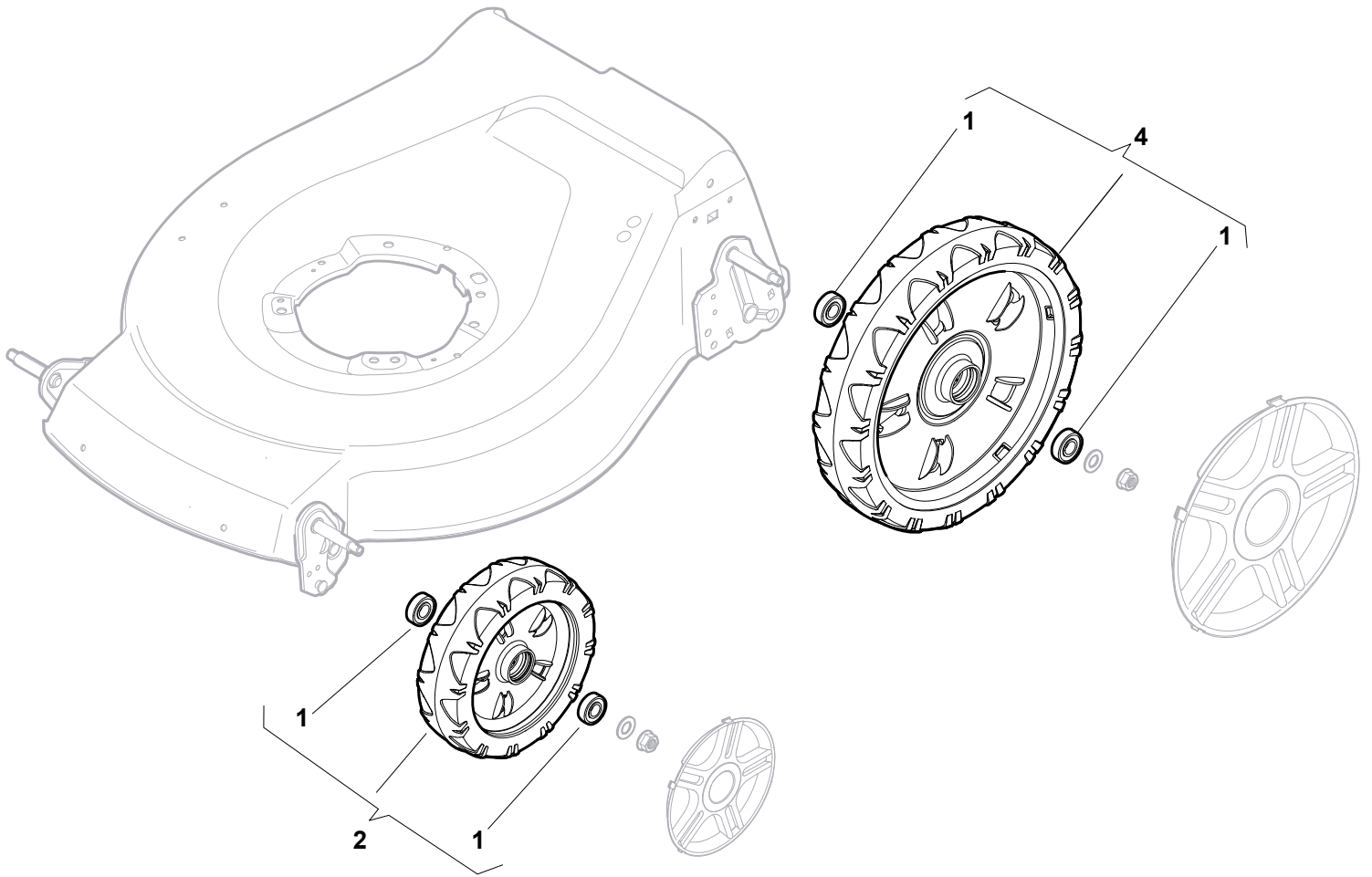
THIS INFORMATION IS NOT INTENDED FOR SALE OR RESALE, AND THIS NOTICE MUST REMAIN ON ALL COPIES.



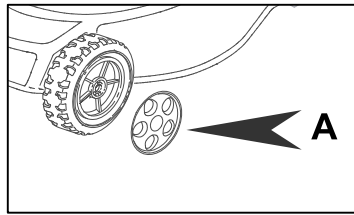
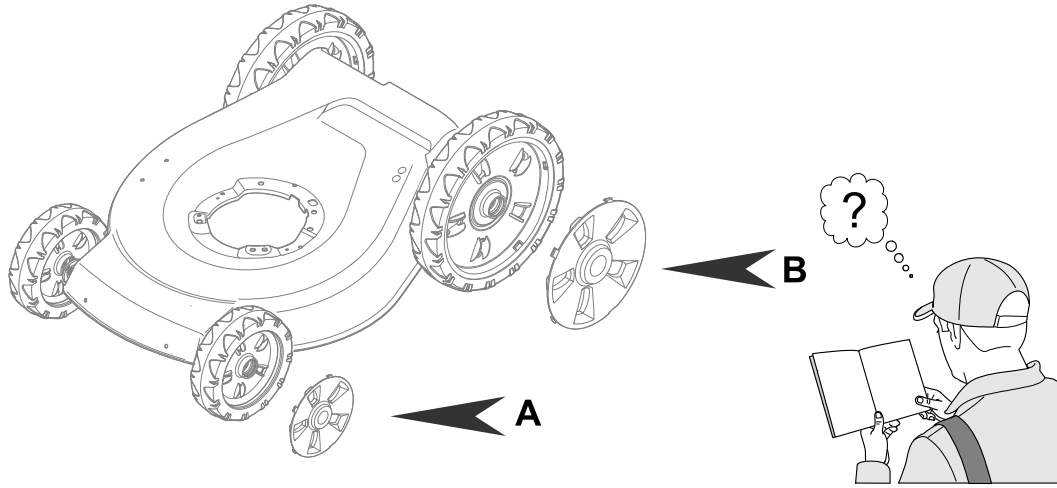
GLOBAL GARDEN PRODUCTS



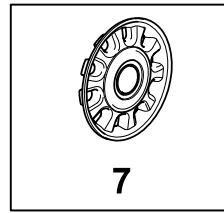
N.	CODE	Q.TY	DESCRIZIONE	DESCRIPTION	DESCRIPTION	BESCHREIBUNG	REMARK
1	322042063/0	8	Bussola	Bearing	Coussinet	Lager	
2	381007435/0	2	Ruota Ø 200	Ruota Ø 200	Roue Ø 200	Rad Ø 200	
4	381007436/0	2	Ruota Ø 280	Ruota Ø 280	Roue Ø 280	Rad Ø 280	



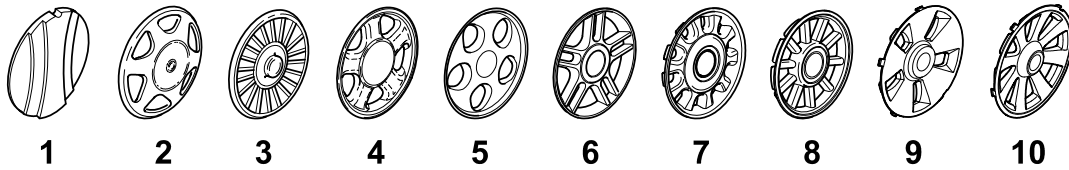
N.	CODE	Q.TY	DESCRIZIONE	DESCRIPTION	DESCRIPTION	BESCHREIBUNG	REMARK
1	19216035/0	8	Cuscinetto	Bearing	Coussinet	Lager	
2	381007416/1	2	Ruota Ø 200	Ruota Ø 200	Roue Ø 200	Rad Ø 200	
4	381007417/1	2	Ruota Ø 280	Ruota Ø 280	Roue Ø 280	Rad Ø 280	



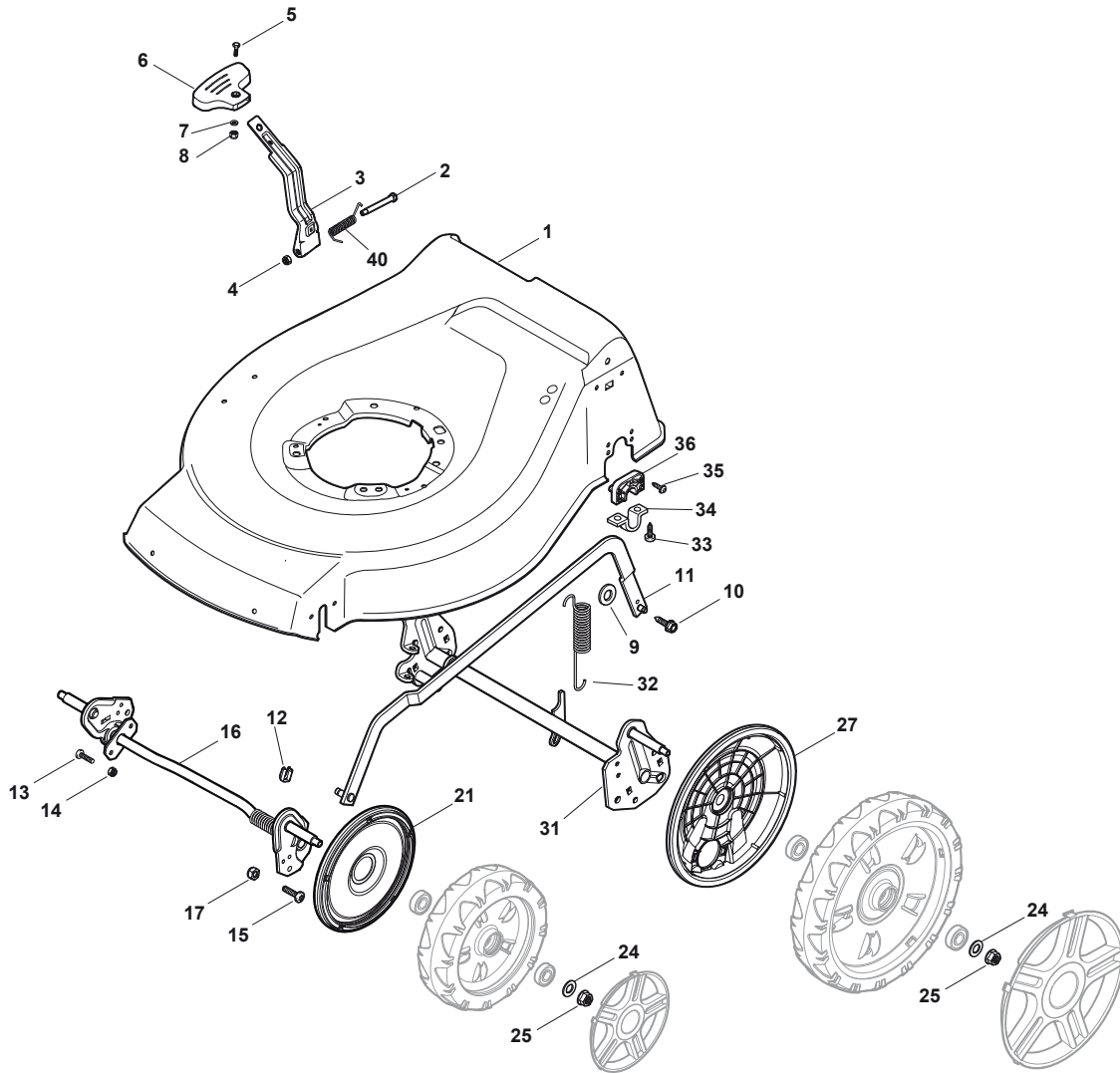
+



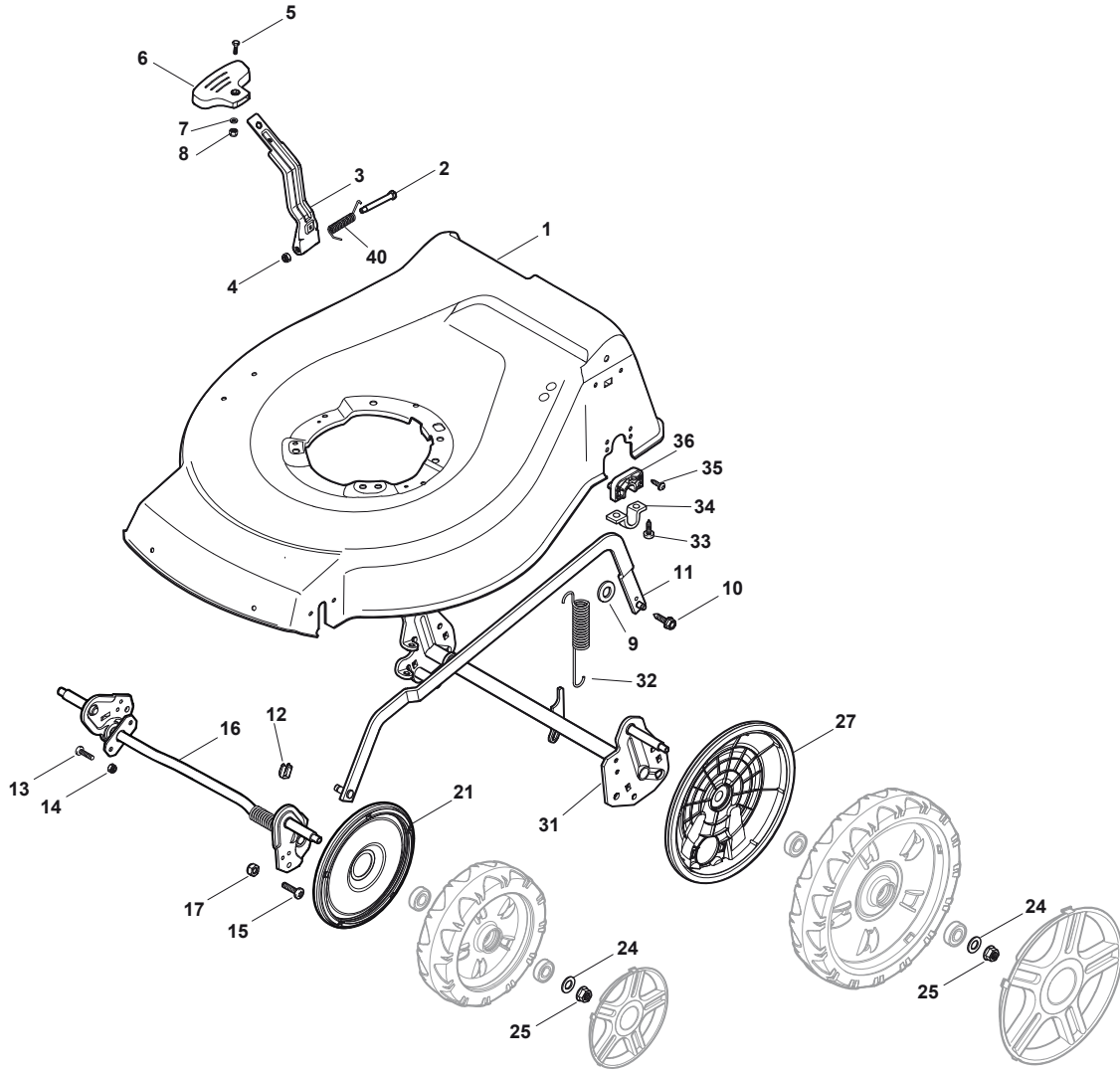
= A7



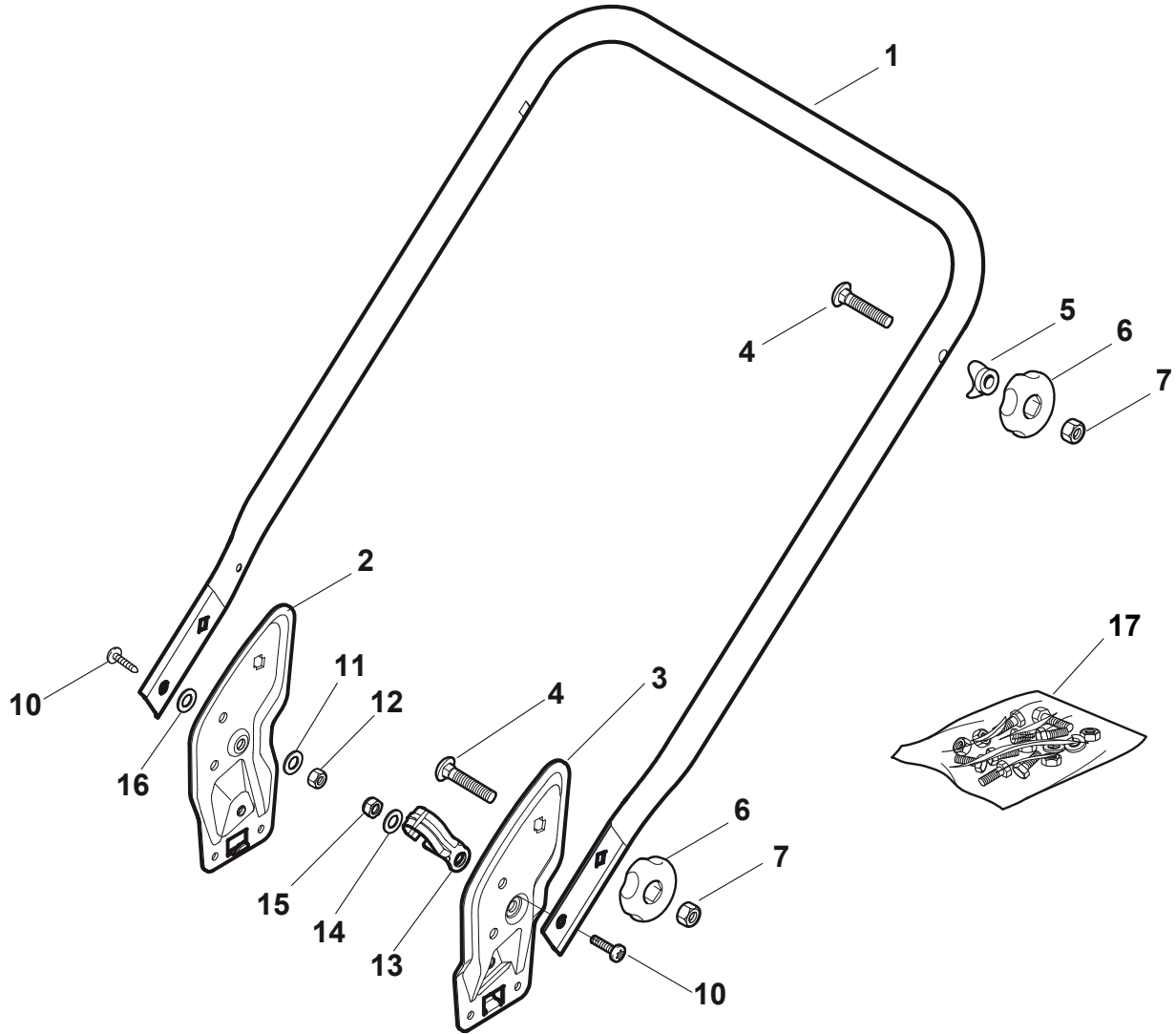
N. CODE	Q.TY	DESCRIZIONE	DESCRIPTION	DESCRIPTION	BESCHREIBUNG	REMARK	
A1	22110251/0	2	Coprimezzo Bianco	Hub Cap White	Couvre-Moyeu	Radkappe Weiße	
A1	22110253/0	2	Coprimezzo Giallo	Hub Cap Yellow	Couvre-Moyeu	Radkappe Gelbe	
A1	22110256/0	2	Coprimezzo Rosso	Hub Cap Red	Couvre-Moyeu	Radkappe Rote	
A1	22110382/0	2	Coprimezzo Grigio	Hub Cap Grey	Couvre-Moyeu Gris	Radkappe Grau	
A2	22110313/0	2	Coprimezzo Bianco	Hub Cap White	Couvre-Moyeu	Radkappe Weiße	
A2	22110314/0	2	Coprimezzo Grigio	Hub Cap Grey	Couvre-Moyeu Gris	Radkappe Grau	
A3	22110348/0	2	Coprimezzo Grigio	Hub Cap Grey	Couvre-Moyeu Gris	Radkappe Grau	
A4	22110382/0	2	Coprimezzo Grigio	Hub Cap Grey	Couvre-Moyeu Gris	Radkappe Grau	
B4	22110511/0	2	Coprimezzo Grigio	Hub Cap Grey	Couvre-Moyeu Gris	Radkappe Grau	
A5	22110417/0	2	Coprimezzo Grigio	Hub Cap Grey	Couvre-Moyeu Gris	Radkappe Grau	
B5	322110590/0	2	Coprimezzo Grigio	Hub Cap Grey	Couvre-Moyeu Gris	Radkappe Grau	
A6	22110492/0	2	Coprimezzo Grigio	Hub Cap Grey	Couvre-Moyeu Gris	Radkappe Grau	
B6	322110560/0	2	Coprimezzo Grigio	Hub Cap Grey	Couvre-Moyeu Gris	Radkappe Grau	
A7	22110494/0	2	Coprimezzo Grigio	Hub Cap Grey	Couvre-Moyeu Gris	Radkappe Grau	
A8	22110496/0	2	Coprimezzo Grigio	Hub Cap Grey	Couvre-Moyeu Gris	Radkappe Grau	
A9	322110643/0	2	Coprimezzo Grigio	Hub Cap Grey	Couvre-Moyeu	Radkappe	
B9	322110644/0	2	Coprimezzo	Hub Cap	Couvre-Moyeu	Radkappe	
A10	322110645/0	2	Coprimezzo Grigio	Hub Cap Grey	Couvre-Moyeu	Radkappe	
B10	322110646/0	2	Coprimezzo	Hub Cap	Couvre-Moyeu	Radkappe	



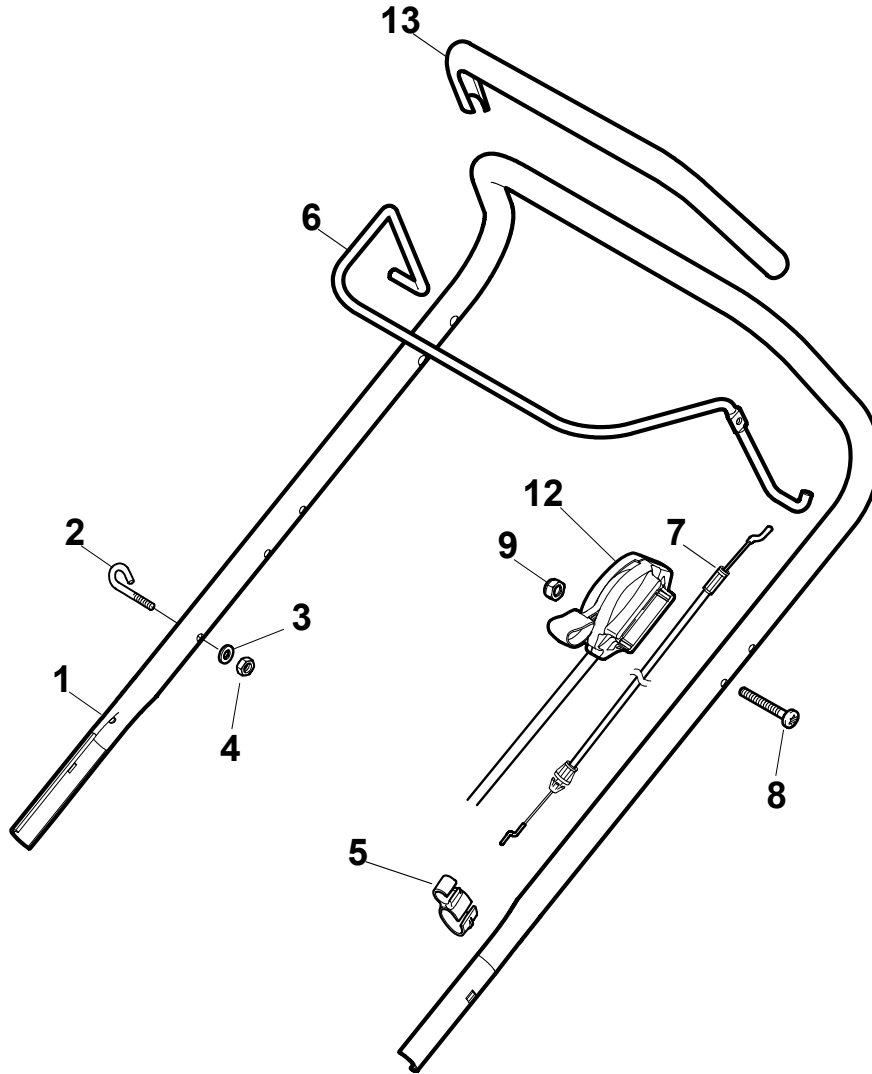
N.	CODE	Q.TY	DESCRIZIONE	DESCRIPTION	DESCRIPTION	BESCHREIBUNG	REMARK
1	381003911/0	1	Chassis Rosso	Deck Red	Châssis Rouge	Gehäuse Rot	
1	381003918/0	1	Chassis Nero	Deck Black	Châssis Noir	Gehäuse Schwarz	
1	381003978/0	1	Chassis Grigio	Deck Grey	Châssis Gris	Gehäuse Grau	
2	122534131/0	1	Perno	Pin	Pivot	Bolzen	
3	322322853/0	1	Leva Regolazione Altezza	Lever, Height Adjustment	Levier, Reglage Hauteur	Hebel, Höheverstellung	
4	112154510/0	1	Dado	Nut	Ecrou	Mutter	
5	12788512/0	1	Vite	Screw	Vis	Schraube	
6	322394503/0	1	Manopolina	Knob	Poignée	Griff	
7	12521310/0	1	Rondella	Washer	Rondelle	Scheibe	
8	12150000/0	1	Dado	Nut	Ecrou	Mutter	
10	122943013/0	1	Vite	Screw	Vis	Schraube	
11	381002032/0	1	Asta Comando Regol. Altezza	Rod, Height Adjustment	Tige Commande Reglage Hauteur	Stange, Höheverstellung	
12	112436051/0	1	Piastrina	Plate	Plaquette	Plättchen	
13	112727803/0	3	Vite	Screw	Vis	Schraube	
14	12154510/0	3	Dado	Nut	Ecrou	Mutter	
15	112727801/0	1	Vite	Screw	Vis	Schraube	
16	381002887/0	1	Asse Ruote Anteriori	Axle, Front Wheels	Axe Roues Avant	Achse, Vorderrad	
17	12154510/0	1	Dado	Nut	Ecrou	Mutter	
21	322600145/0	2	Prot. Ruote	Protection, Wheel	Protection Roue	Schütz, Räder	
24	12521350/0	4	Rosetta	Washer	Rondelle	Scheibe	
25	12155000/0	4	Dado	Nut	Ecrou	Mutter	
27	322600194/0	2	Prot. Ruote	Protection, Wheel	Protection Roue	Schütz, Räder	
31	381302831/0	1	Asse Ruote Posteriori	Axle, Rear Wheels	Axe Roues Arriere	Achse, Hinterrad	
32	122450460/0	1	Molla	Spring	Ressort	Feder	
33	112728697/0	4	Vite	Screw	Vis	Schraube	
34	22545152/0	2	Piastrina	Plate	Plaquette	Platte	
35	112728697/0	4	Vite	Screw	Vis	Schraube	



N. CODE	Q.TY	DESCRIZIONE	DESCRIPTION	DESCRIPTION	BESCHREIBUNG	REMARK	
36	322785304/0	2	Supporto	Support	Support	Halter	
40	122446192/0	1	Molla	Spring	Ressort	Feder	

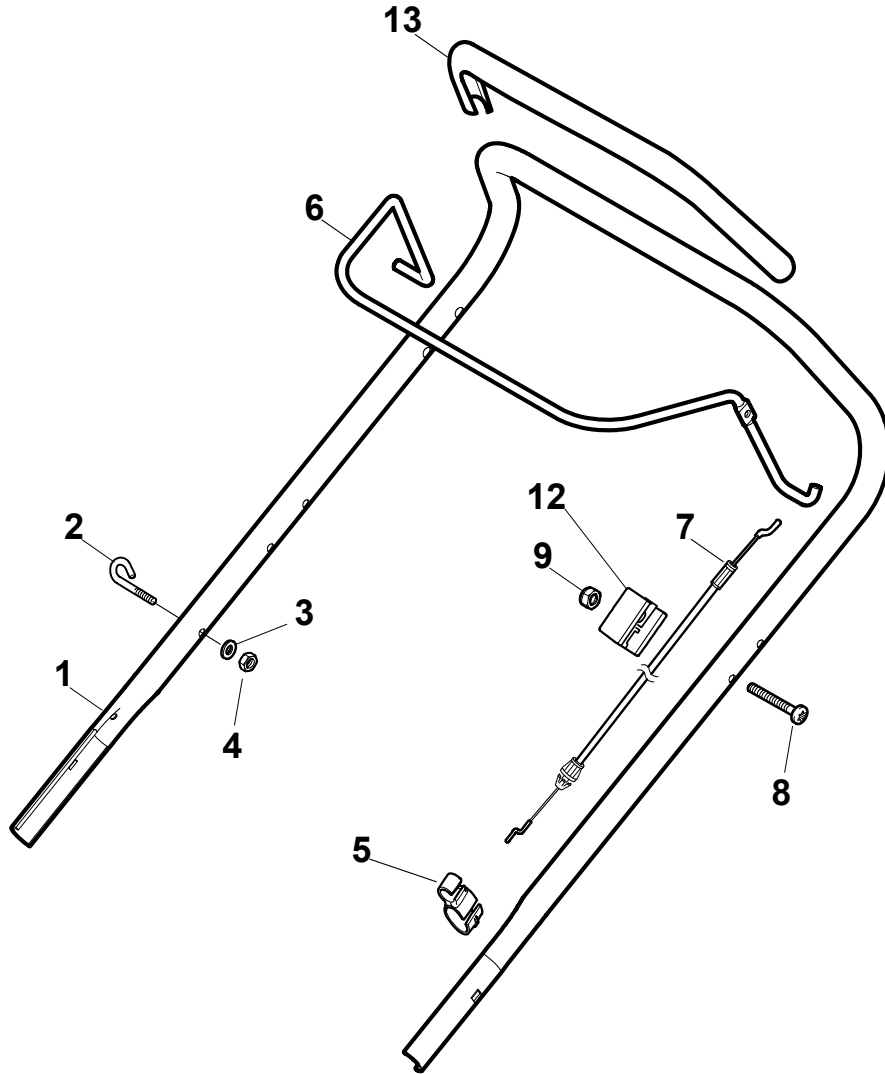


N.	CODE	Q.TY	DESCRIZIONE	DESCRIPTION	DESCRIPTION	BESCHREIBUNG	REMARK
1	381007043/0	1	Manico, Parte Inf	Handle, Lower Part	Mancheron, Partie Inferieure	Holm, Unterteil	
2	381005149/0	1	Staffa Dx	Bracket, R	Bride D	Pratze, Rechte	
3	381005151/0	1	Staffa Sx	Bracket, L	Bride G	Pratze, Linke	
4	12819120/0	4	Vite	Screw	Vis	Schraube	
5	22680006/1	4	Rosetta	Washer	Rondelle	Scheibe	
6	322399804/1	4	Manopolina	Knob	Poignée	Griff	
7	12293200/0	4	Dado	Nut	Ecrou	Mutter	
10	12760605/0	3	Vite	Screw	Vis	Schraube	
11	12521350/0	2	Rosetta	Washer	Rondelle	Scheibe	
12	12155000/0	2	Dado	Nut	Ecrou	Mutter	
13	322192156/0	1	Fascetta	Fair Led	Fixation De Cable	Kabelbefestigung	
14	12523040/0	1	Rosetta	Washer	Rondelle	Scheibe	
15	12154510/0	1	Dado	Nut	Ecrou	Mutter	
16	12369500/0	2	Rosetta Elastica	Elastic Washer	Rondelle Elastique	Elastische Scheibe	

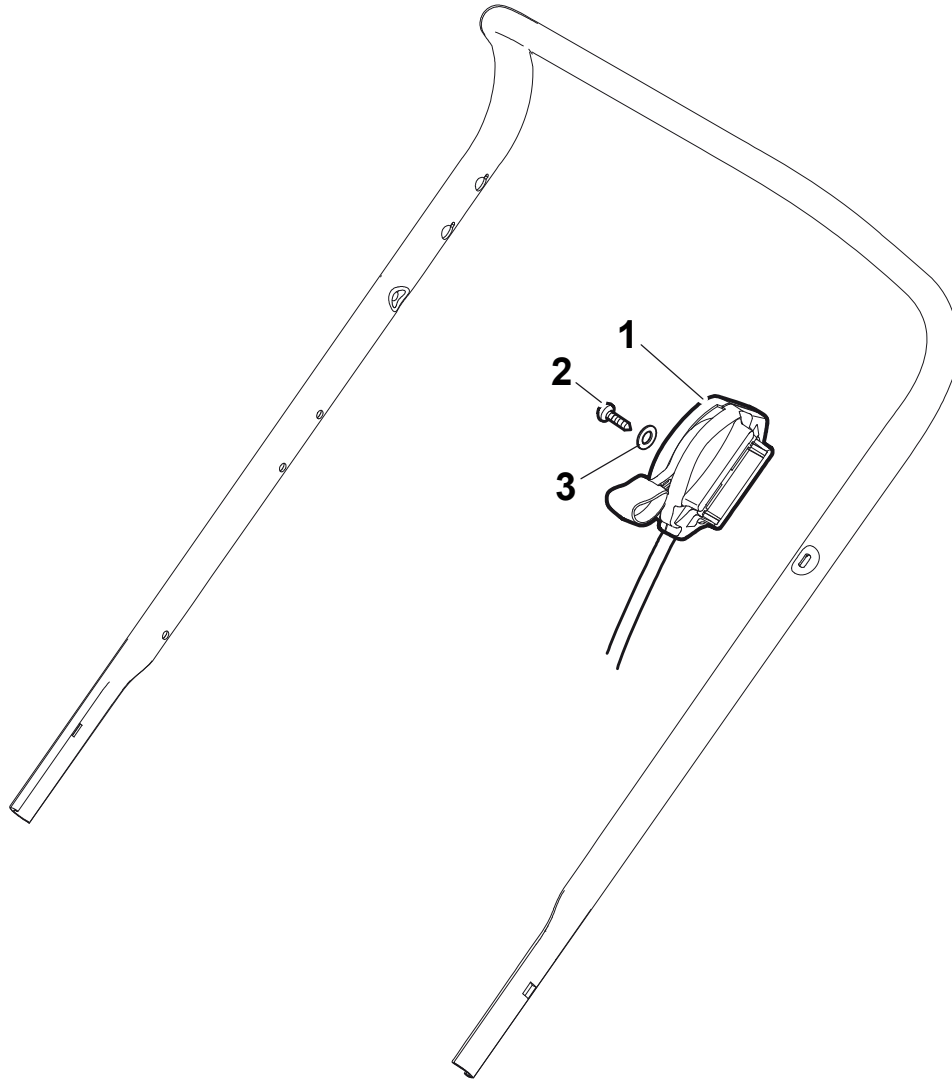


N.	CODE	Q.TY	DESCRIZIONE	DESCRIPTION	DESCRIPTION	BESCHREIBUNG	REMARK
1	381006739/0	1	Manico, Parte Sup	Handle, Upper Part	Mancheron, Partie Superieure	Holm, Oberteil	
1	381006745/0	1	Manico, Parte Sup. con impugnatura in spugna	Handle, Upper Part with sponge handgrip	Mancheron, Partie Superieure avec éponge poignée	Holm, Oberteil Handgriff Schwamm	
2	22430313/0	1	Molla Guida	Guide Spring	Ressort De Guide	Feder Führer	
3	12521330/0	1	Rosetta	Washer	Rondelle	Scheibe	
4	12154510/0	1	Dado	Nut	Ecrou	Mutter	
5	118390020/0	1	Fermacavo	Fairlead	Fixation Cable	Kabelbefestigung	
6	181003363/1	1	Leva Freno Motore	Lever, Engine Brake	Levier Frein Moteur	Hebel, Motorbremse	Black
6	381003365/0	1	Leva Freno Motore	Lever, Engine Brake	Levier Frein Moteur	Hebel, Motorbremse	Yellow
6	381003376/0	1	Leva Freno Motore	Lever, Engine Brake	Levier Frein Moteur	Hebel, Motorbremse	Red
7	181030053/0	1	Cavo Freno Motore	Cable, Thread Eng. Brake	Cable Frein Moteur	Kabel, Motorbremse	B&S
7	181030053/0	1	Cavo Freno Motore	Cable, Thread Eng. Brake	Cable Frein Moteur	Kabel, Motorbremse	GGP
7	181030070/0	1	Cavo Freno Motore	Cable, Thread Eng. Brake	Cable Frein Moteur	Kabel, Motorbremse	HONDA
8	12727783/0	1	Vite	Screw	Vis	Schraube	
9	12154510/0	1	Dado	Nut	Ecrou	Mutter	
12	181005504/1	1	Cavo Acceleratore	Throttle Cable	Cable, Accelérateur	Gashebel Kabel	GGP 150 cc
12	181005511/0	1	Cavo Acceleratore	Throttle Cable	Cable, Accelérateur	Gashebel Kabel	B&S
12	181005517/0	1	Cavo Acceleratore	Throttle Cable	Cable, Accelérateur	Gashebel Kabel	GGP
12	181005517/0	1	Cavo Acceleratore	Throttle Cable	Cable, Accelérateur	Gashebel Kabel	HONDA
13	22291050/0	1	Impugnatura Manico Nera	Handgrip Black	Poignée Noire	Handgriff Schwarz	only for handle part no. 381007508/0

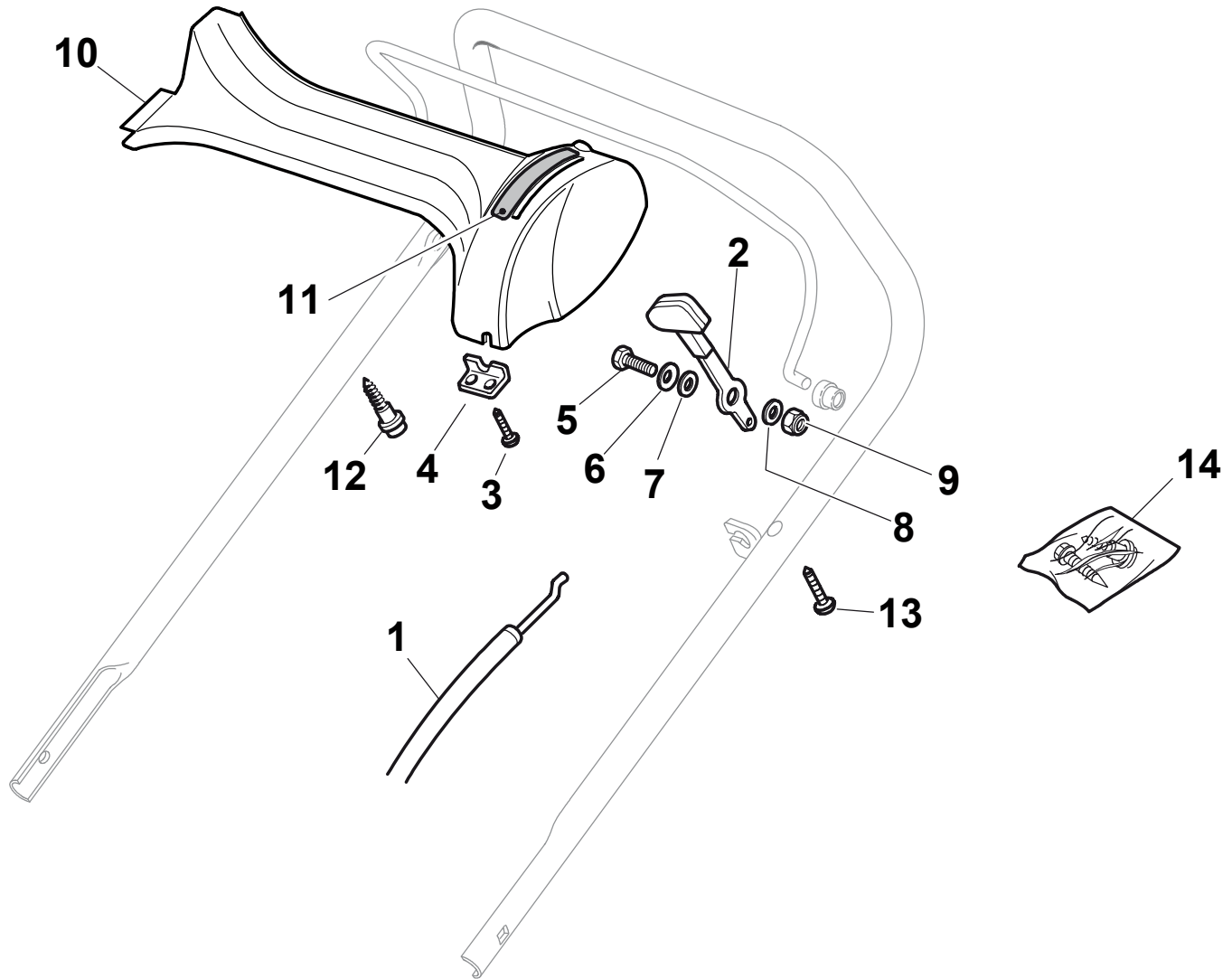




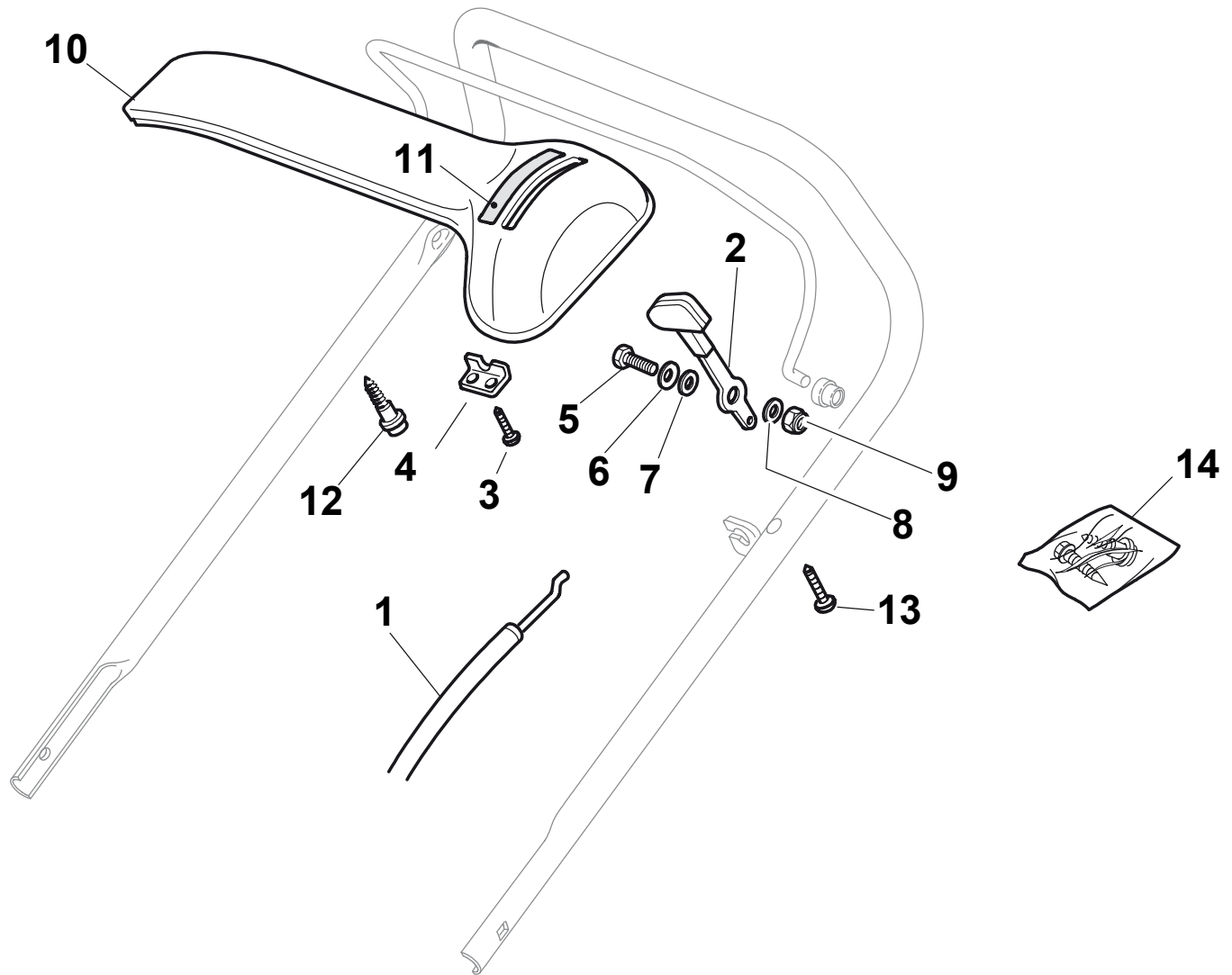
N.	CODE	Q.TY	DESCRIZIONE	DESCRIPTION	DESCRIPTION	BESCHREIBUNG	REMARK
1	381006739/0	1	Manico, Parte Sup	Handle, Upper Part	Mancheron, Partie Superieure	Holm, Oberteil	
1	381006745/0	1	Manico, Parte Sup. con impugnatura in spugna	Handle, Upper Part with sponge handgrip	Mancheron, Partie Superieure avec éponge poignée	Holm, Oberteil Handgriff Schwamm	
2	22430313/0	1	Molla Guida	Guide Spring	Ressort De Guide	Feder Führer	
3	12521330/0	1	Rosetta	Washer	Rondelle	Scheibe	
4	12154510/0	1	Dado	Nut	Ecrou	Mutter	
5	118390020/0	1	Fermacavo	Fairlead	Fixation Cable	Kabelbefestigung	
6	181003363/1	1	Leva Freno Motore	Lever, Engine Brake	Levier Frein Moteur	Hebel, Motorbremse	Black
6	381003365/0	1	Leva Freno Motore	Lever, Engine Brake	Levier Frein Moteur	Hebel, Motorbremse	Yellow
6	381003376/0	1	Leva Freno Motore	Lever, Engine Brake	Levier Frein Moteur	Hebel, Motorbremse	Red
7	181030053/0	1	Cavo Freno Motore	Cable, Thread Eng. Brake	Cable Frein Moteur	Kabel, Motorbremse	GGP
7	181030053/0	1	Cavo Freno Motore	Cable, Thread Eng. Brake	Cable Frein Moteur	Kabel, Motorbremse	B&S
7	181030070/0	1	Cavo Freno Motore	Cable, Thread Eng. Brake	Cable Frein Moteur	Kabel, Motorbremse	HONDA
8	12727783/0	1	Vite	Screw	Vis	Schraube	
9	12154510/0	1	Dado	Nut	Ecrou	Mutter	
12	22551640/0	1	Piastrina	Plate	Plaquette	Plättchen	
13	22291050/0	1	Impugnatura Manico Nera	Handgrip Black	Poignée Noire	Handgriff Schwarz	only for handle part no. 381007508/0



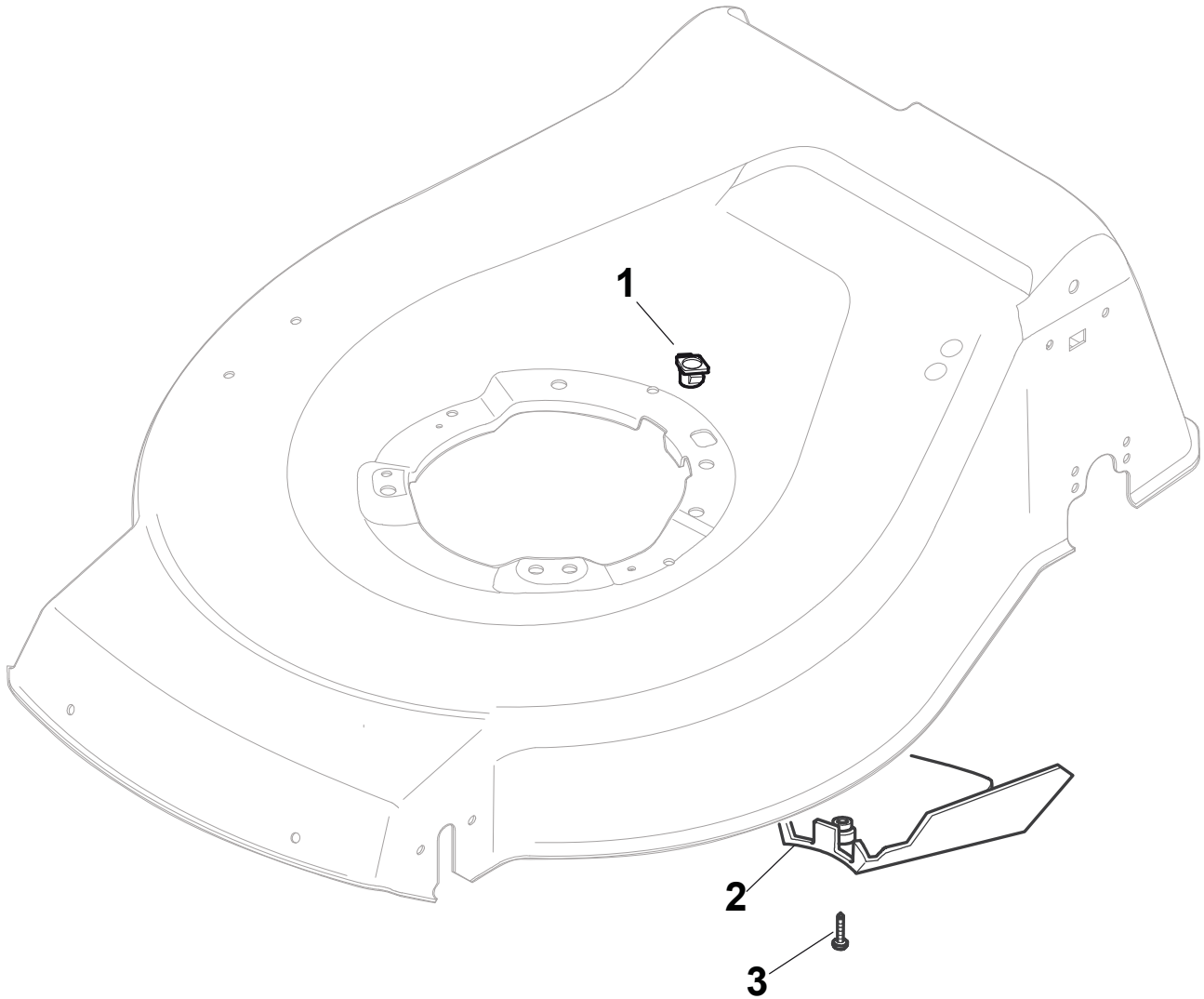
N.	CODE	Q.TY	DESCRIZIONE	DESCRIPTION	DESCRIPTION	BESCHREIBUNG	REMARK
1	181005501/1	1	Cavo Acceleratore	Throttle Cable	Cable, Accelérateur	Gashebel Kabel	(GGP 140-160-190 cc)
1	181005501/1	1	Cavo Acceleratore	Throttle Cable	Cable, Accelérateur	Gashebel Kabel	(Honda GCV 135-160-190)
1	181005502/1	1	Cavo Acceleratore	Throttle Cable	Cable, Accelérateur	Gashebel Kabel	(B&S 450-500-550-625-675-700)
1	181005503/1	1	Cavo Acceleratore	Throttle Cable	Cable, Accelérateur	Gashebel Kabel	(Honda GCV 135-160-190 Autochoke)
1	181005504/1	1	Cavo Acceleratore	Throttle Cable	Cable, Accelérateur	Gashebel Kabel	(Ggp 150cc)
1	181005505/1	1	Cavo Acceleratore	Throttle Cable	Cable, Accelérateur	Gashebel Kabel	534 BBC (B&S 675)
1	181005506/1	1	Cavo Acceleratore	Throttle Cable	Cable, Accelérateur	Gashebel Kabel	534 BBC (Honda GCV 190)
2	12735103/0	1	Vite	Screw	Vis	Schraube	
3	12523040/0	1	Rosetta	Washer	Rondelle	Scheibe	



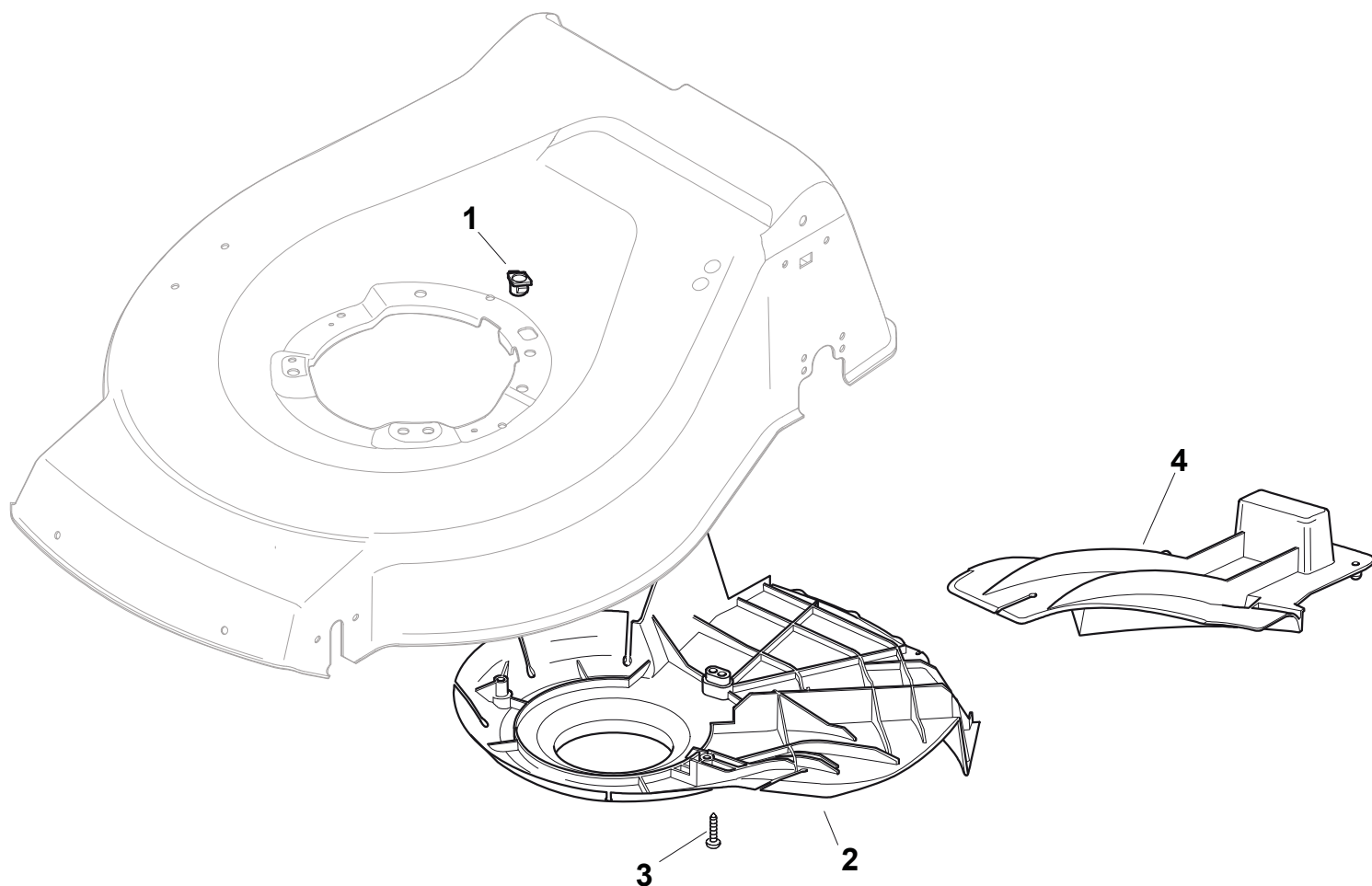
N.	CODE	Q.TY	DESCRIZIONE	DESCRIPTION	DESCRIPTION	BESCHREIBUNG	REMARK
1	81007160/0	1	Cavo Acceleratore	Throttle Cable	Cable, Accelérateur	Gashebel Kabel	
2	81007221/0	1	Leva, Acceleratore	Lever, Throttle	Levier,	Hebel, Beschleuniger	(B&S 450-500 Series - GGP 150 cc)
2	81007280/2	1	Leva, Acceleratore	Lever, Throttle	Levier,	Hebel, Beschleuniger	(B&S 625-675-700 Series - Honda - GGP 140-160-196 cc)
3	12735105/0	2	Vite	Screw	Vis	Schraube	
4	22981467/0	1	Piastrina	Plate	Plaquette	Platte	
5	12791500/0	1	Vite	Screw	Vis	Schraube	
6	12530060/0	1	Rosetta Elastica	Elastic Washer	Rondelle Elastique	Elastische Scheibe	
7	12523040/0	1	Rosetta	Washer	Rondelle	Scheibe	
8	12523040/0	1	Rosetta	Washer	Rondelle	Scheibe	
9	12154510/0	1	Dado	Nut	Ecrou	Mutter	
10	22120172/0	1	Cruscotto Nero	Dash Board Black	Console Noire	Konsole Schwarze	
10	22120173/0	1	Cruscotto Rosso	Dash Board Red	Console Rouge	Konsole Rote	
10	22120174/0	1	Cruscotto Giallo	Dash Board Yellow	Console Jaune	Konsole Gelbe	
11	114356743/1	1	Etichetta	Label	Etiquette	Etikette	(GGP)
11	114356743/1	1	Etichetta	Label	Etiquette	Etikette	(Honda)
11	114356744/1	1	Etichetta	Label	Etiquette	Etikette	(B&S)
11	114356906/1	1	Etichetta	Label	Etiquette	Etikette	(B&S 700 series DOV)
11	114357646/1	1	Etichetta	Label	Etiquette	Etikette	(Honda GCV 160-190 Autochoke)
12	22943006/0	1	Vite	Screw	Vis	Schraube	
13	12728460/0	1	Vite	Screw	Vis	Schraube	
14	81008609/0	1	Dotazione Viteria Cruscotto	Outfit, Dash-Board Screws	Dotation Visserie Consolle	Satz, Konsole Schrauben	



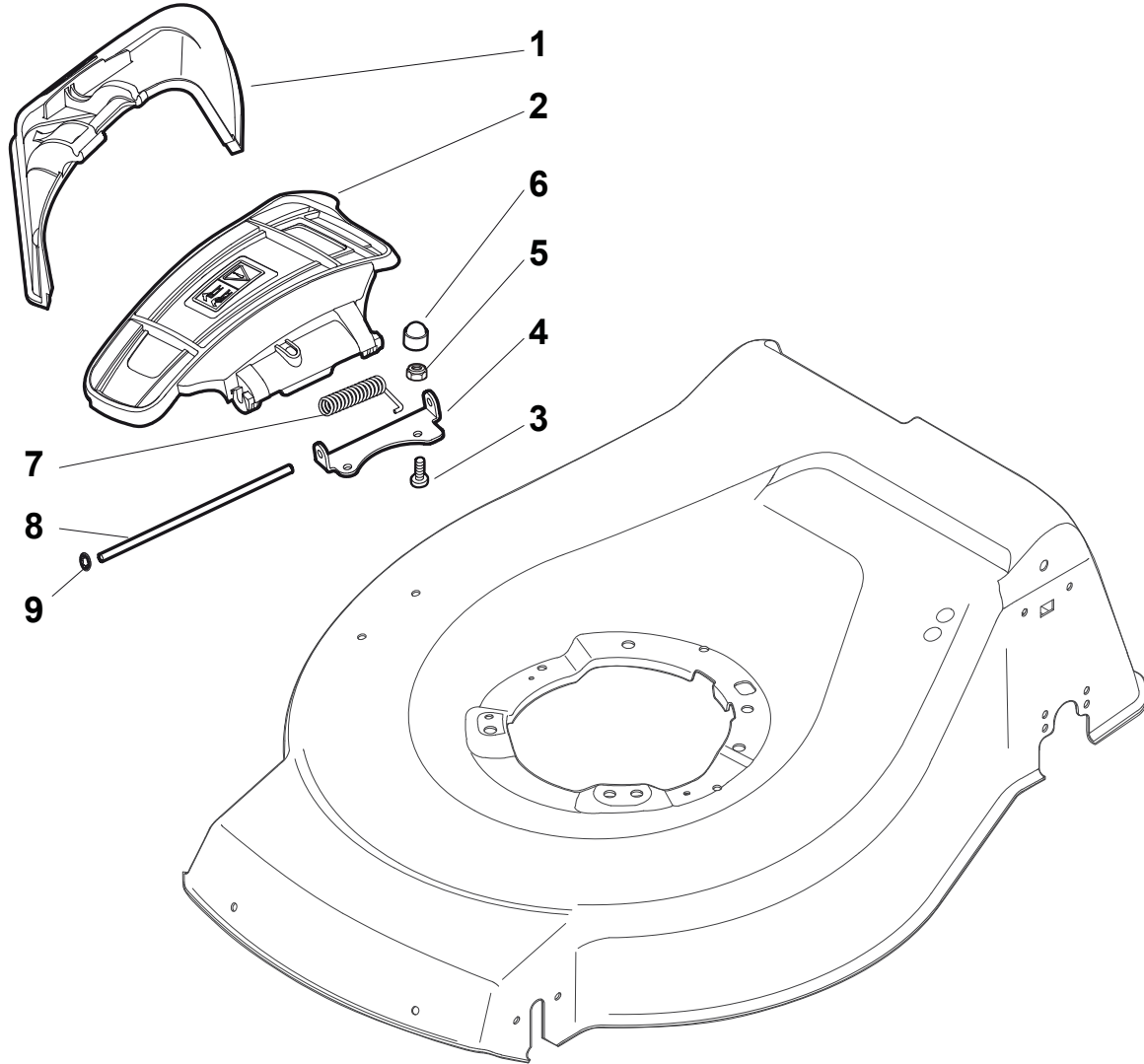
N.	CODE	Q.TY	DESCRIZIONE	DESCRIPTION	DESCRIPTION	BESCHREIBUNG	REMARK
1	81007160/0	1	Cavo Acceleratore	Throttle Cable	Cable, Accelérateur	Gashebel Kabel	
2	81007221/0	1	Leva, Acceleratore	Lever, Throttle	Levier,	Hebel, Beschleuniger	(B&S 450-500 Series - GGP 150 cc)
2	81007280/2	1	Leva, Acceleratore	Lever, Throttle	Levier,	Hebel, Beschleuniger	(B&S 625-675-700 Series - Honda - GGP 140-160-196 cc)
3	12735105/0	2	Vite	Screw	Vis	Schraube	
4	22981467/0	1	Piastrina	Plate	Plaquette	Platte	
5	12791500/0	1	Vite	Screw	Vis	Schraube	
6	12530060/0	1	Rosetta Elastica	Elastic Washer	Rondelle Elastique	Elastische Scheibe	
7	12523040/0	1	Rosetta	Washer	Rondelle	Scheibe	
8	12523040/0	1	Rosetta	Washer	Rondelle	Scheibe	
9	12154510/0	1	Dado	Nut	Ecrou	Mutter	
10	22120152/0	1	Cruscotto Giallo	Dash Board Yellow	Console Jaune	Konsole Gelbe	
10	22120154/0	1	Cruscotto Rosso	Dash Board Red	Console Rouge	Konsole Rote	
10	22120158/0	1	Cruscotto Nero	Dash Board Black	Console Noire	Konsole Schwarze	
11	114356743/1	1	Etichetta	Label	Etiquette	Etikette	(GGP)
11	114356743/1	1	Etichetta	Label	Etiquette	Etikette	(Honda)
11	114356744/1	1	Etichetta	Label	Etiquette	Etikette	(B&S)
11	114356906/1	1	Etichetta	Label	Etiquette	Etikette	(B&S 700 series DOV)
11	114357646/1	1	Etichetta	Label	Etiquette	Etikette	(Honda GCV 160-190 Autochoke)
12	22943006/0	1	Vite	Screw	Vis	Schraube	
13	12728460/0	1	Vite	Screw	Vis	Schraube	
14	81008609/0	1	Dotazione Viteria Cruscotto	Outfit, Dash-Board Screws	Dotation Visserie Console	Satz, Konsole Schrauben	



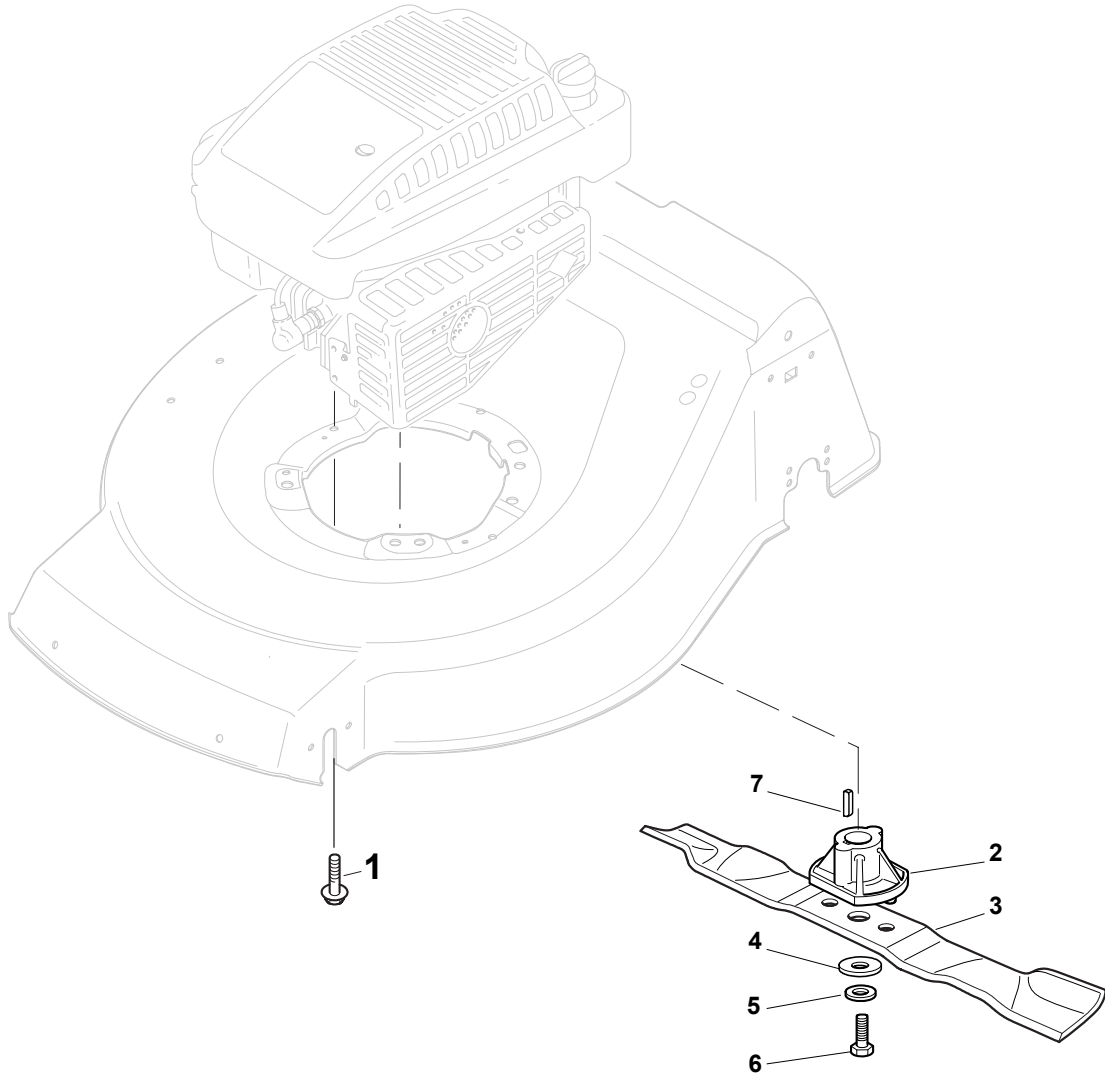
N.	CODE	Q.TY	DESCRIZIONE	DESCRIPTION	DESCRIPTION	BESCHREIBUNG	REMARK
1	22291150/0	1	Inserto In Gomma	Rubber Insert	Insert De	Gummi Einsatz	
2	22060193/0	1	Carter Cinghia	Protection, Belt	Protection	Schutz, Riemen	
3	12728530/0	1	Vite	Screw	Vis	Schraube	



N.	CODE	Q.TY	DESCRIZIONE	DESCRIPTION	DESCRIPTION	BESCHREIBUNG	REMARK
1	22291150/0	1	Inserto In Gomma	Rubber Insert	Insert De	Gummi Einsatz	
2	322060197/2	1	Carter Cinghia	Protection, Belt	Protection	Schutz, Riemen	
2	322060238/0	1	Carter Cinghia	Protection, Belt	Protection	Schutz, Riemen	only for BBC
3	12728530/0	3	Vite	Screw	Vis	Schraube	
4	22140222/0	1	Deflettore	Deflector	Deflecteur	Deflektor	

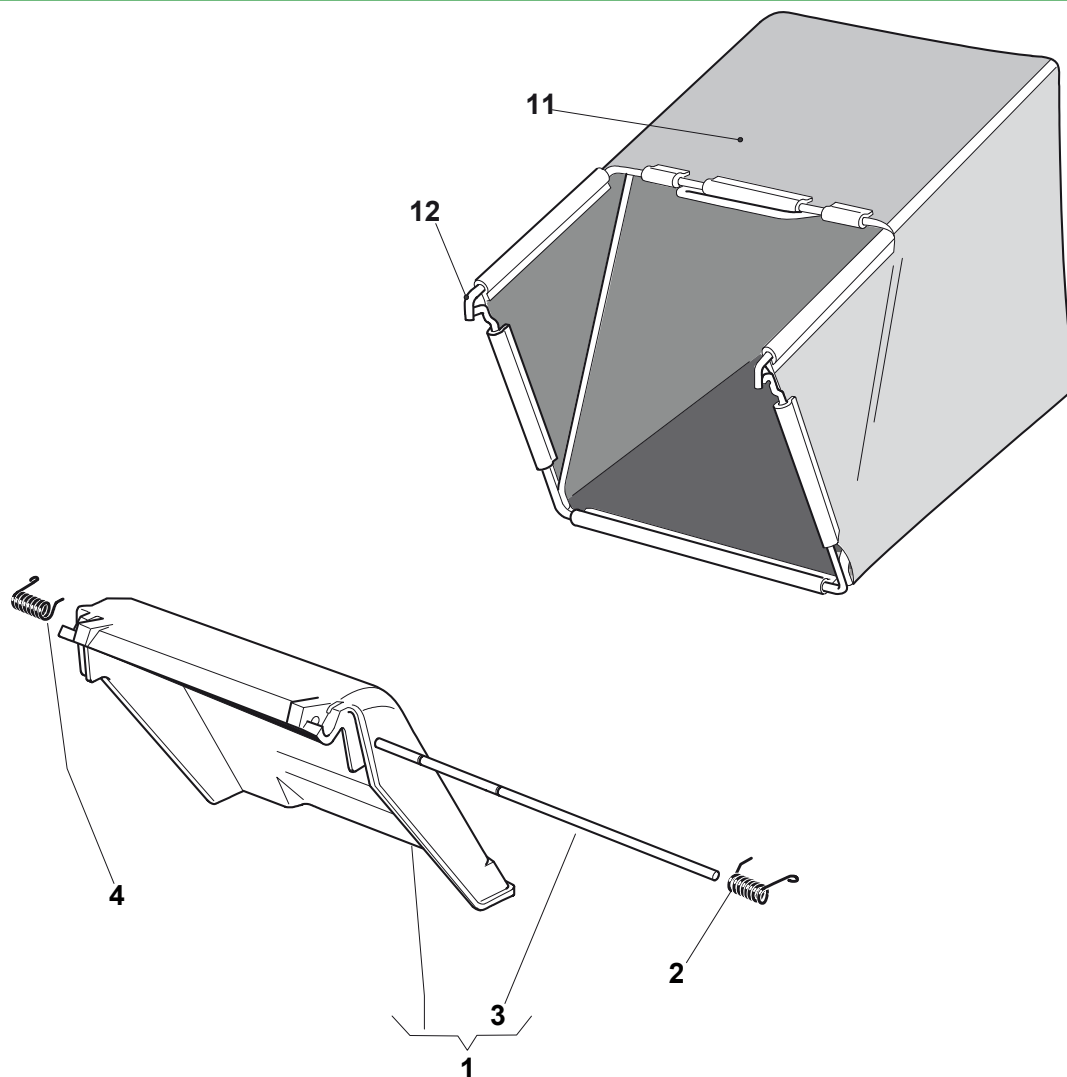


N.	CODE	Q.TY	DESCRIZIONE	DESCRIPTION	DESCRIPTION	BESCHREIBUNG	REMARK
1	322108295/0	1	Parasassi	Stone-Guard	Pare-Pierres	Prallblech	
2	322600195/0	1	Protezione Uscita	Ejection Guard	Protection Sortie	Auswurfschutz	
3	112727803/0	2	Vite	Screw	Vis	Schraube	
4	322806639/0	1	Fulcro	Fulcrum Pin	Point D'Appui	Gelenkpunkt	
4	322806643/0	1	Fulcro	Fulcrum Pin	Point D'Appui	Gelenkpunkt	
5	12154510/0	2	Dado	Nut	Ecrou	Mutter	
6	18203853/0	2	Cappuccio	Protection	Capuchon	Stecker	
7	122450456/0	1	Molla	Spring	Ressort	Feder	
8	122517869/0	1	Perno	Pin	Pivot	Bolzen	
9	12604896/0	2	Fissatore A Corona	Crown Fastener	Fixateur A Couronne	Kronescheibe	

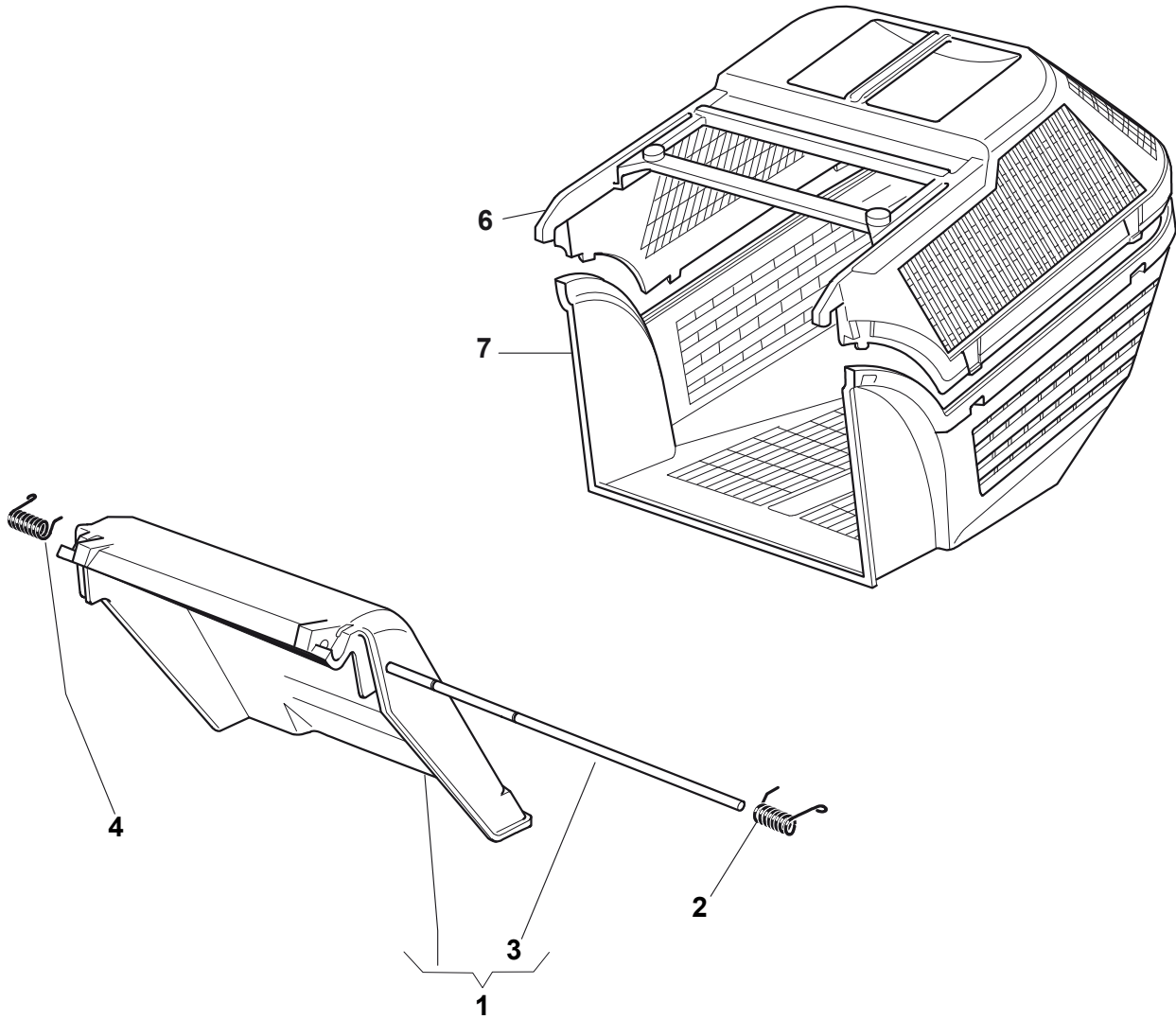


N.	CODE	Q.TY	DESCRIZIONE	DESCRIPTION	DESCRIPTION	BESCHREIBUNG	REMARK
1	112735108/1	2	Vite	Screw	Vis	Schraube	(GGP 196cc)
1	112735108/1	3	Vite	Screw	Vis	Schraube	
1	112735109/1	1	Vite	Screw	Vis	Schraube	(GGP 196cc)
2	122463020/1	1	Mozzo, Albero Motore Ø 25	Hub, Crankshaft Ø 25	Moyeu, Arbre Moteur Ø 25	Halter, Motorwelle Ø 25	(Honda)
2	22463012/2	1	Mozzo, Albero Motore Ø 22.2	Hub, Crankshaft Ø 22.2	Moyeu, Arbre Moteur Ø 22.2	Halter, Motorwelle Ø 22.2	(B&S/GGP)
3	81004381/1	1	Coltello Standard	Blade Standard	Lame Standard	Messer Standard	
4	22160400/0	1	Disco Elastico	Elastic Washer	Rondelle Elastique	Elastischescheibe	
5	12523080/0	1	Rosetta	Washer	Rondelle	Scheibe	
6	12735698/0	1	Vite	Screw	Vis	Schraube	
7	12139100/0	1	Linguetta, Albero Motore Ø 22.2	Feather, Crankshaft Ø 22.2	Clavette, Arbre Moteur Ø 22.2	Keil, Motorwelle Ø 22.2	
7	12139150/0	1	Linguetta, Albero Motore Ø 25	Feather, Crankshaft Ø 25	Clavette, Arbre Moteur Ø 25	Keil, Motorwelle Ø 25	

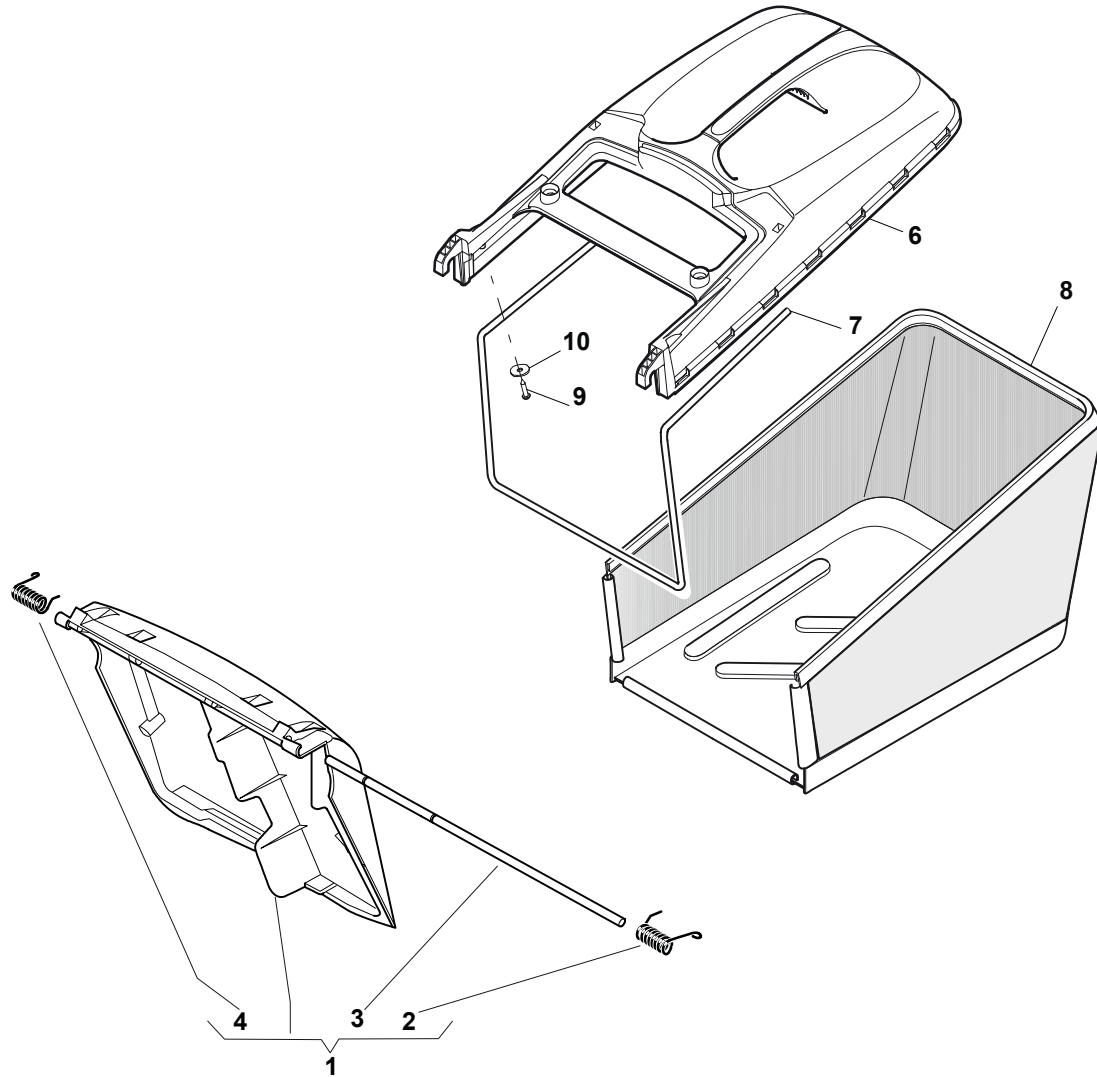




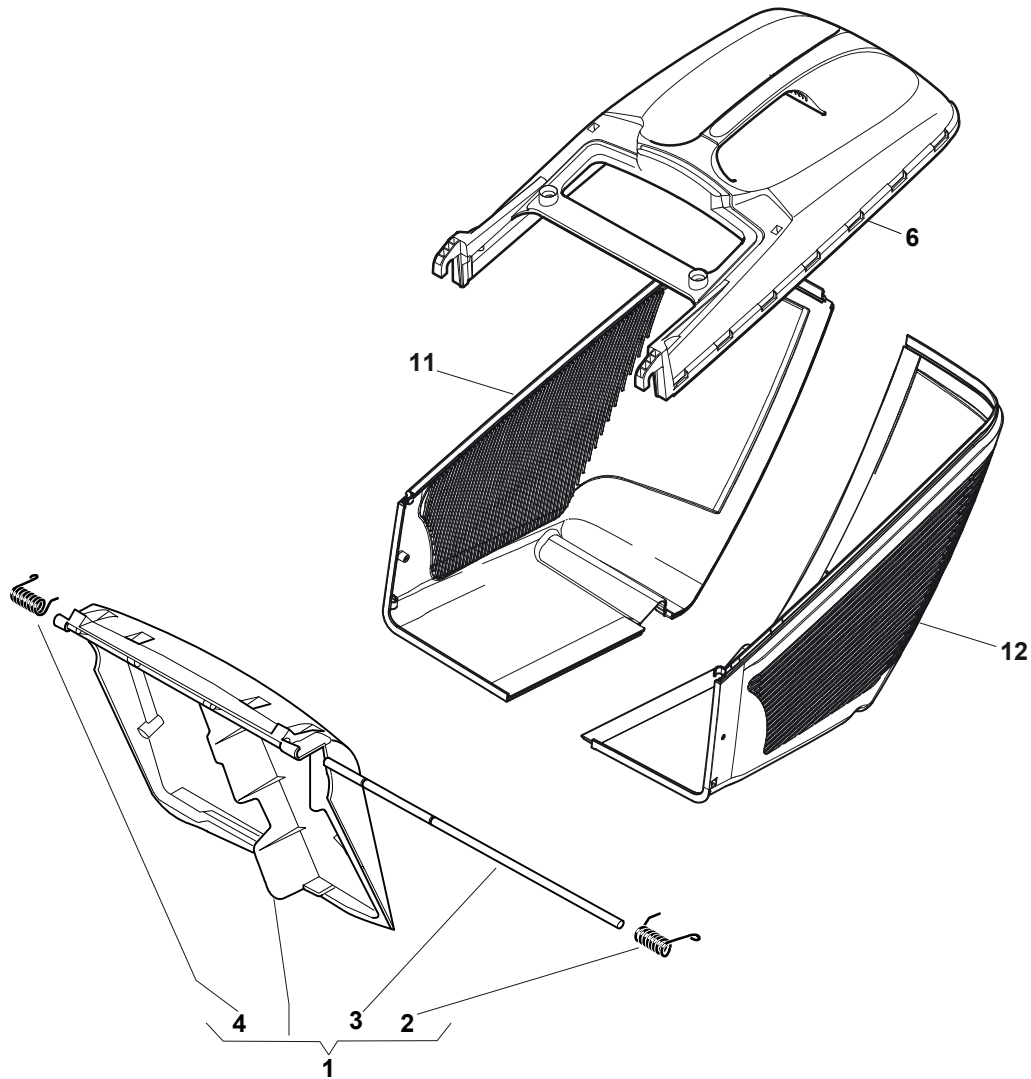
N.	CODE	Q.TY	DESCRIZIONE	DESCRIPTION	DESCRIPTION	BESCHREIBUNG	REMARK
1	381007308/2	1	Parasassi	Stone-Guard	Pare-Pierres	Prallblech	
2	122450466/0	1	Molla Sx	L Spring	Ressort G	Linke Feder	
3	122517882/0	1	Perno	Pin	Pivot	Bolzen	
4	122450465/0	1	Molla Dx	R Spring	Ressort D	Rechte Feder	
6	322486073/1	1	Sacco, Parte Sup	Grass-Box, Upper	Sac, Partie Superieure	Korb, Oberteil	
11	81002105/2	1	Sacco, Tela	Box, Fabric	Sac, Toile	Sack, Tuck	
12	81006418/0	1	Telaio Sacco	Chassis Box	Châssis Bac	Rahmen Sack	



N.	CODE	Q.TY	DESCRIZIONE	DESCRIPTION	DESCRIPTION	BESCHREIBUNG	REMARK
1	381007308/2	1	Parasassi	Stone-Guard	Pare-Pierres	Prallblech	
2	122450466/0	1	Molla Sx	L Spring	Ressort G	Linke Feder	
3	122517882/0	1	Perno	Pin	Pivot	Bolzen	
4	122450465/0	1	Molla Dx	R Spring	Ressort D	Rechte Feder	
6	322486073/1	1	Sacco, Parte Sup	Grass-Box, Upper	Sac, Partie Superieure	Korb, Oberteil	
7	22486074/0	1	Sacco, Parte Inf	Grass-Box, Lower	Sac, Partie Inferieure	Korb, Unterteil	



N.	CODE	Q.TY	DESCRIZIONE	DESCRIPTION	DESCRIPTION	BESCHREIBUNG	REMARK
1	381008081/0	1	Parasassi	Stone-Guard	Pare-Pierres	Prallblech	
2	122450466/0	1	Molla Sx	L Spring	Ressort G	Linke Feder	
3	122517882/0	1	Perno	Pin	Pivot	Bolzen	
4	122450465/0	1	Molla Dx	R Spring	Ressort D	Rechte Feder	
6	22486101/0	1	Sacco, Parte Sup	Grass-Box, Upper	Sac, Partie	Korb, Oberteil	
7	22608525/0	1	Rinforzo Inf	Stiffening Lower	Réinforcement Inf	Verstärkung	
8	81002211/0	1	Sacco, Tela	Box, Fabric	Sac, Toile	Sack, Tuck	
9	12728680/0	2	Vite	Screw	Vis	Schraube	
10	12523050/0	2	Rosetta	Washer	Rondelle	Scheibe	



N.	CODE	Q.TY	DESCRIZIONE	DESCRIPTION	DESCRIPTION	BESCHREIBUNG	REMARK
1	381008081/1	1	Parasassi	Stone-Guard	Pare-Pierres	Prallblech	
2	122450466/0	1	Molla Sx	L Spring	Ressort G	Linke Feder	
3	122517882/0	1	Perno	Pin	Pivot	Bolzen	
4	122450465/0	1	Molla Dx	R Spring	Ressort D	Rechte Feder	
6	22486101/0	1	Sacco, Parte Sup	Grass-Box, Upper	Sac, Partie	Korb, Oberteil	
11	322486150/1	1	Sacco, Parte Inf Dx	Grass-Box, R Lower	Sac, Partie Inferieure D	Korb, R Unterteil	
12	322486151/1	1	Sacco, Parte Inf Sx	Grass-Box, L Lower	Sac, Partie Inferieure G	Korb, L Unterteil	