

Genuine Spare Parts

CR 434 W - CS 434 W

Catalogo delle parti di ricambio
Spare parts catalogue
Catalogue des pieces de rechange
Ersatzteilkatalog

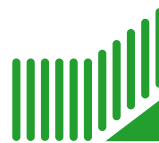
2011

- Use GLOBAL GARDEN PRODUCT Genuine Spare Parts specified in the parts list for repair and/or replacement.
- The contents described in the parts list may change due to improvement.
- The drawings of the spare parts are only indicative and might not represent the part in question exactly.
- The indications "right" - "left" - "front" - "rear" refer to the position of the operator when using the machine.
- When placing orders of parts for repair and/or replacement, make sure that the illustrated parts list is the one applying to the machine's year of manufacture, as shown on the identification plate attached to the machine.

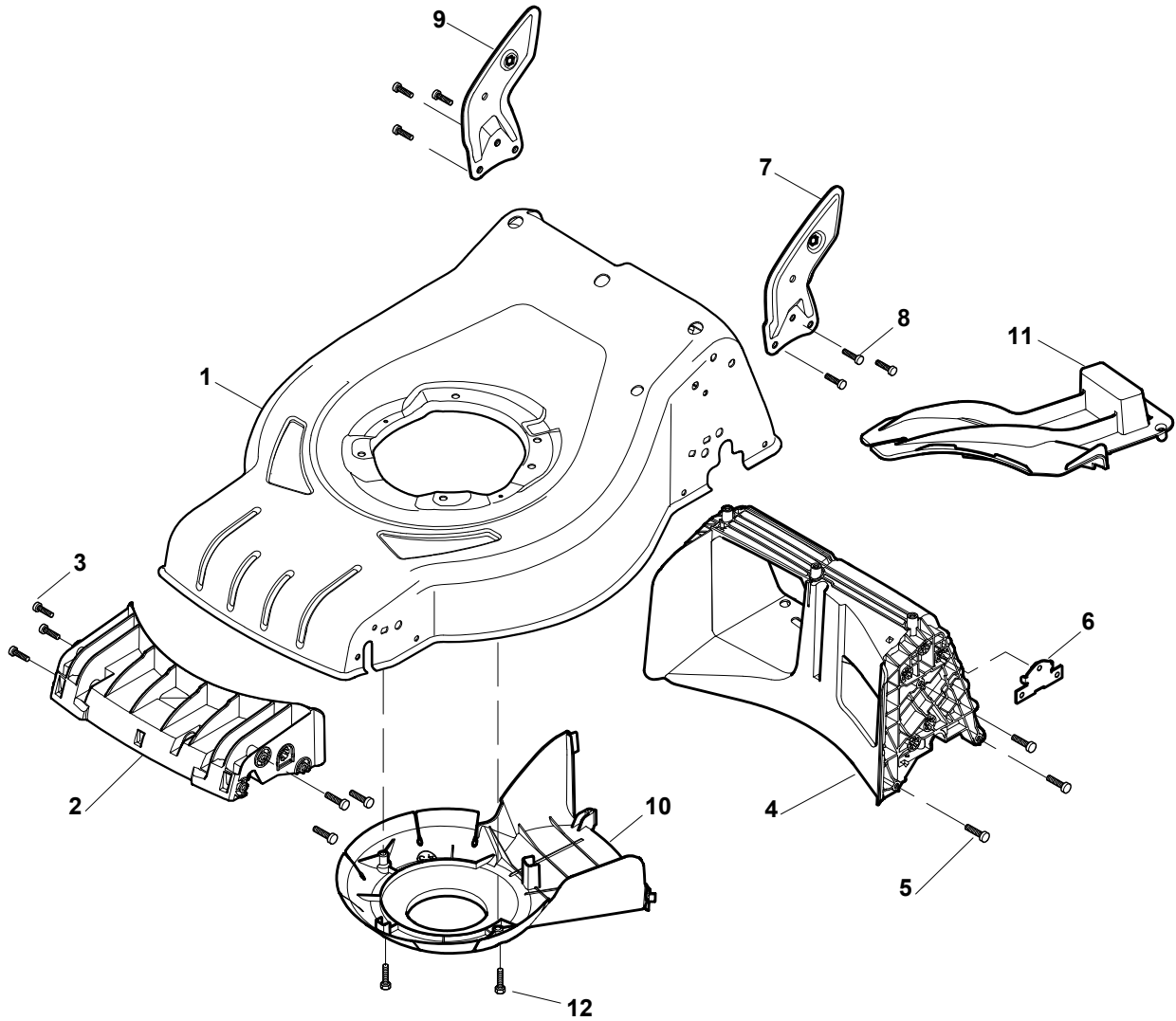
© Copyright 2011 Global Garden Products

All content is subject to copyright by Global Garden Products and may not be reproduced in whole or in part by any means, electronic or otherwise, without prior written approval.

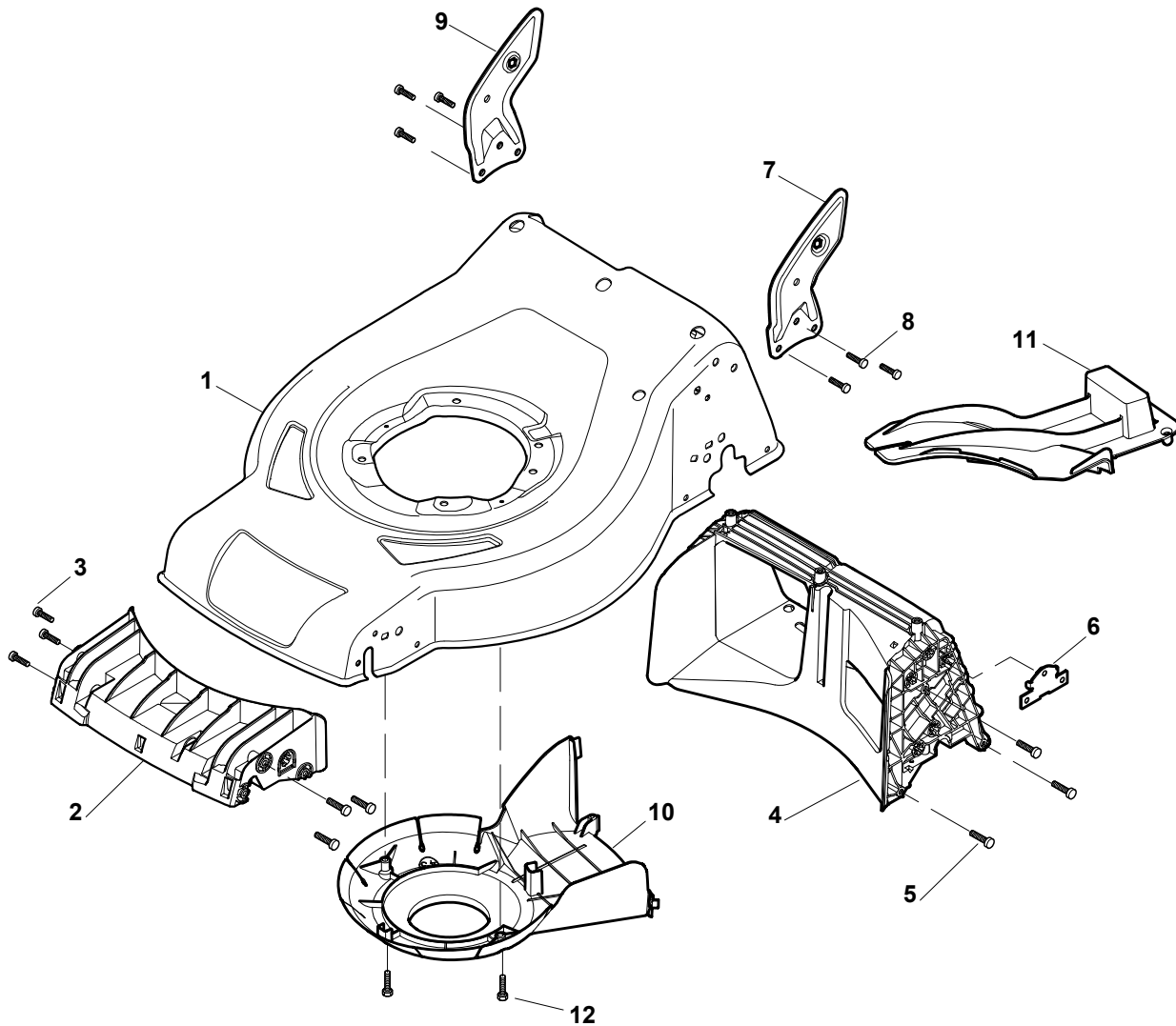
THIS INFORMATION IS NOT INTENDED FOR SALE OR RESALE, AND THIS NOTICE MUST REMAIN ON ALL COPIES.



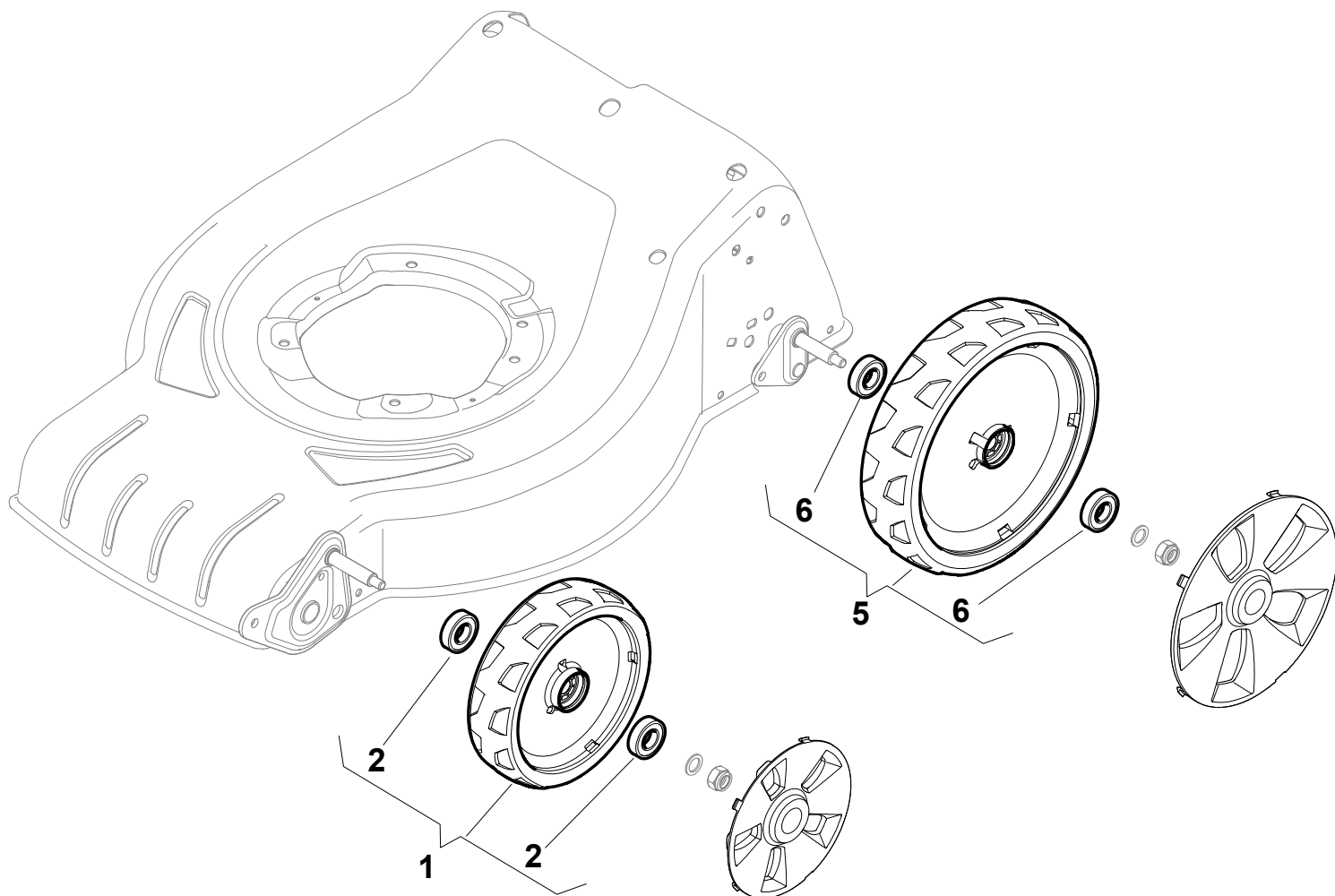
GLOBAL GARDEN PRODUCTS



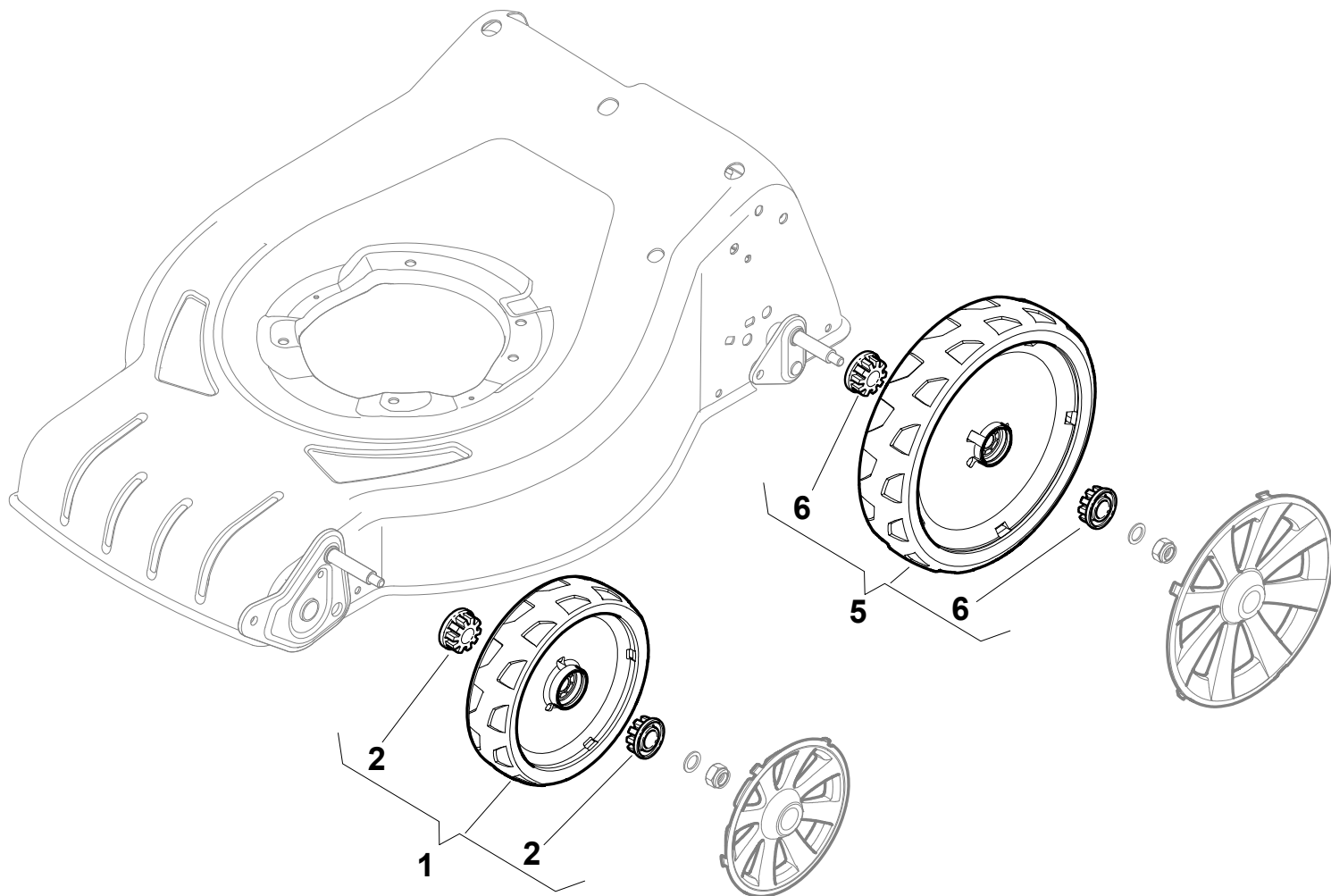
N.	CODE	Q.TY	DESCRIZIONE	DESCRIPTION	DESCRIPTION	BESCHREIBUNG	REMARK
1	381004017/0	1	Chassis Rosso	Deck Red	Châssis Rouge	Gehäuse Rot	
2	322108300/0	1	Convogl. Anteriore	Front Conveyor Assy	Ens. Convoyeur Avant	Hinterleitblechvorder	
3	112728699/0	6	Vite	Screw	Vis	Schraube	
4	322108302/0	1	Convogl. Posteriore	Rear Conveyor Assy	Ens. Convoyeur Post.	Hinterleitblechsatz	
5	112728699/0	6	Vite	Screw	Vis	Schraube	
6	322545213/0	2	Piastrina	Plate	Plaquette	Platte	
7	381005139/0	1	Staffa Sx	Bracket, L	Bride G	Pratze, Linke	
8	112727801/0	6	Vite	Screw	Vis	Schraube	
9	381005137/0	1	Staffa Dx	Bracket, R	Bride D	Pratze, Rechte	
10	322060241/0	1	Carter Cinghia	Protection, Belt	Protection Courroie	Schutz, Riemen	
11	322140240/0	1	Deflettore	Deflector	Deflecteur	Deflektor	
12	12728530/0	2	Vite	Screw	Vis	Schraube	



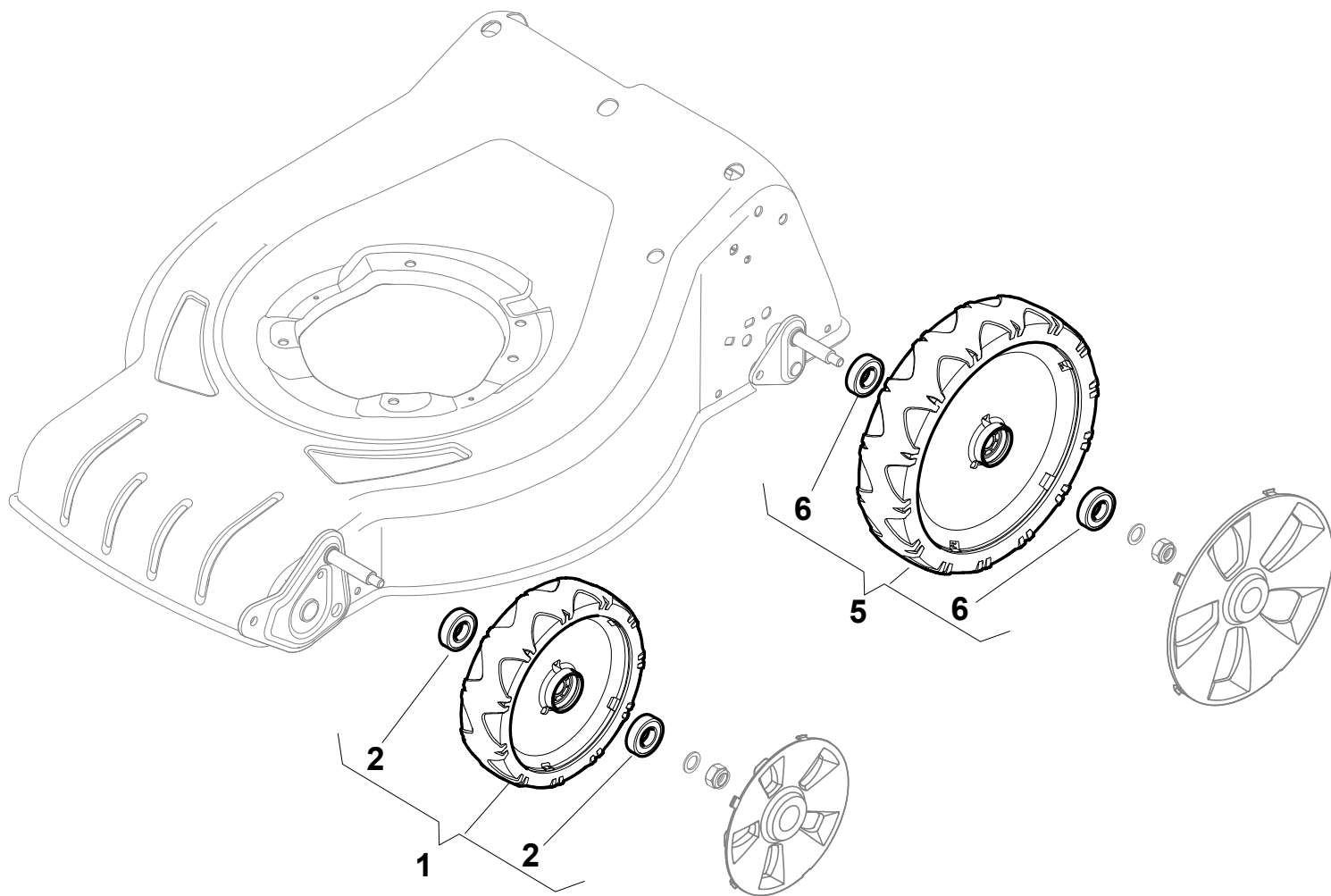
N.	CODE	Q.TY	DESCRIZIONE	DESCRIPTION	DESCRIPTION	BESCHREIBUNG	REMARK
1	381004019/0	1	Chassis Rosso	Deck Red	Châssis Rouge	Gehäuse Rot	
1	381004050/0	1	Chassis Nero	Deck Black	Châssis Noir	Gehäuse Schwarz	
2	322108300/0	1	Convogl. Anteriore	Front Conveyor Assy	Ens. Convoyeur Avant	Hinterleitblechvorder	
3	112728699/0	6	Vite	Screw	Vis	Schraube	
4	322108302/0	1	Convogl. Posteriore	Rear Conveyor Assy	Ens. Convoyeur Post.	Hinterleitblechsatz	
5	112728699/0	6	Vite	Screw	Vis	Schraube	
6	322545213/0	2	Piastrina	Plate	Plaquette	Platte	
7	381005139/0	1	Staffa Sx	Bracket, L	Bride G	Pratze, Linke	
8	112727801/0	6	Vite	Screw	Vis	Schraube	
9	381005137/0	1	Staffa Dx	Bracket, R	Bride D	Pratze, Rechte	
10	322060241/0	1	Carter Cinghia	Protection, Belt	Protection Courroie	Schutz, Riemen	
11	322140240/0	1	Deflettore	Deflector	Deflecteur	Deflektor	
12	12728530/0	2	Vite	Screw	Vis	Schraube	



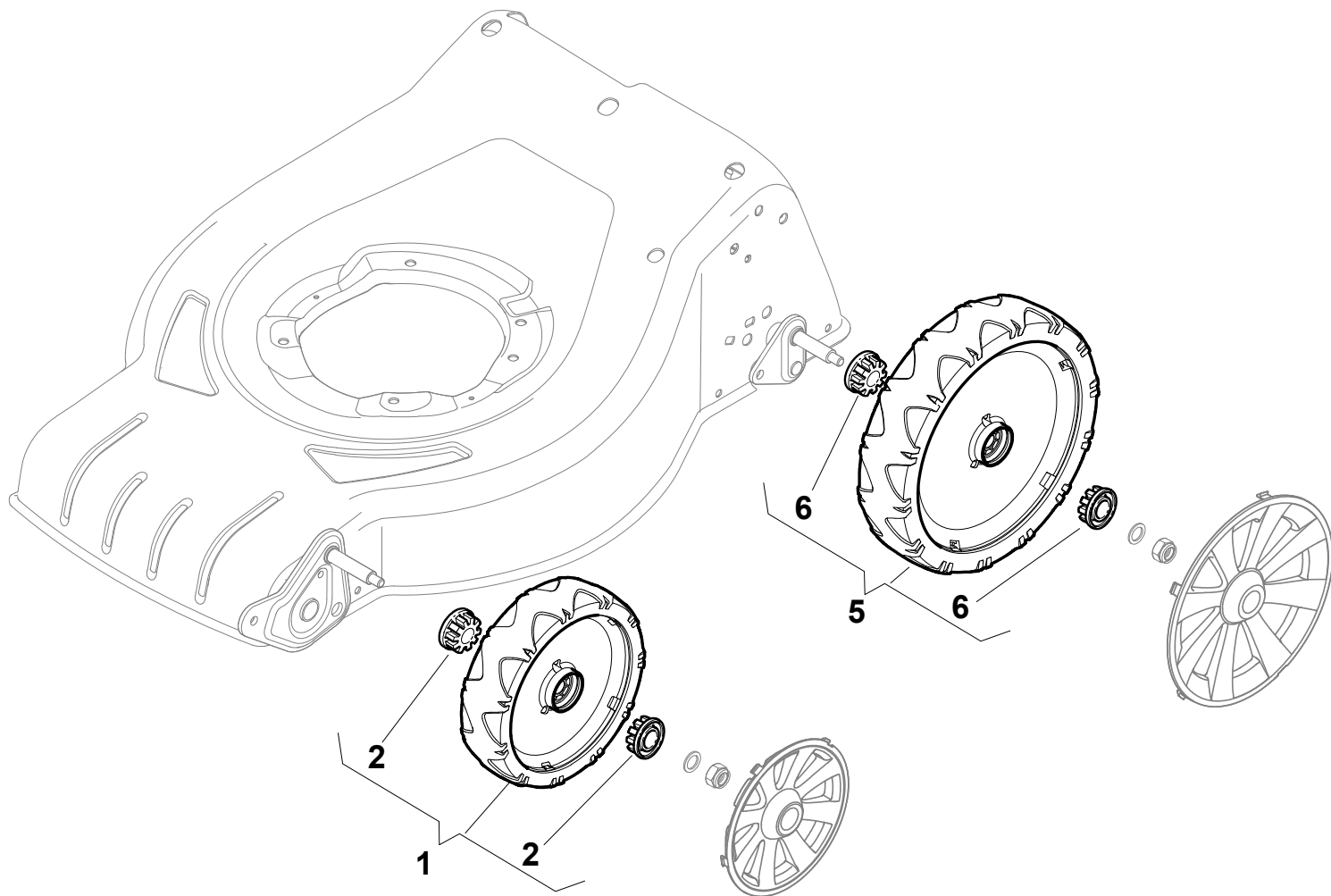
N.	CODE	Q.TY	DESCRIZIONE	DESCRIPTION	DESCRIPTION	BESCHREIBUNG	REMARK
1	381007448/0	2	Ruota Ø 180	Wheel Ø 180	Roue Ø 180	Rad Ø 180	
2	19216035/0	4	Cuscinetto	Bearing	Coussinet	Lager	
5	381007449/0	2	Ruota Ø 240	Wheel Ø 240	Roue Ø 240	Rad Ø 240	
6	19216035/0	4	Cuscinetto	Bearing	Coussinet	Lager	



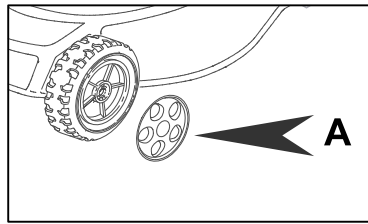
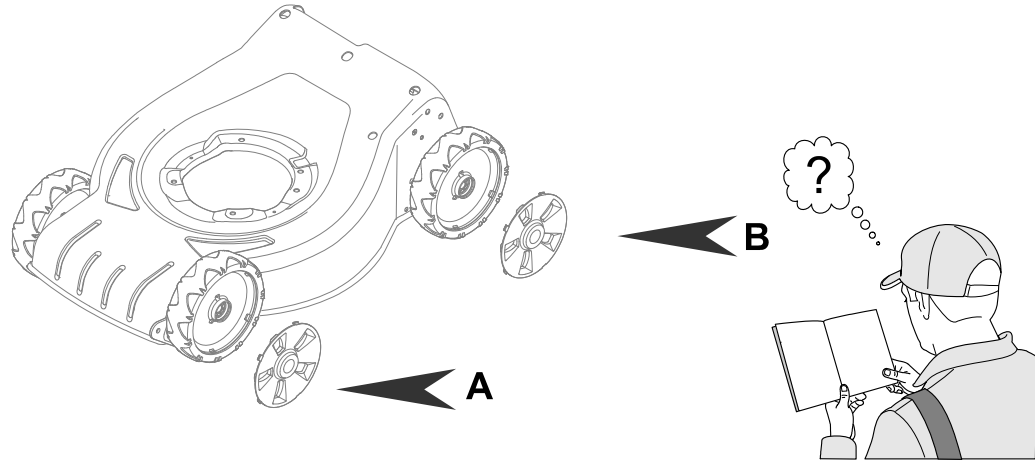
N.	CODE	Q.TY	DESCRIZIONE	DESCRIPTION	DESCRIPTION	BESCHREIBUNG	REMARK
1	381007442/0	2	Ruota Ø 180	Wheel Ø 180	Roue Ø 180	Rad Ø 180	
2	322042064/0	4	Bussola	Bush	Douille	Buchse	
5	381007443/0	2	Ruota Ø 240	Wheel Ø 240	Roue Ø 240	Rad Ø 240	
6	322042064/0	4	Bussola	Bush	Douille	Buchse	



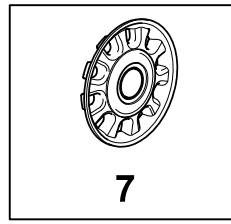
N. CODE	Q.TY	DESCRIZIONE	DESCRIPTION	DESCRIPTION	BESCHREIBUNG	REMARK	
1	381007450/0	2	Ruota Ø 180	Wheel Ø 180	Roue Ø 180	Rad Ø 180	
2	19216035/0	4	Cuscinetto	Bearing	Coussinet	Lager	
5	381007456/0	2	Ruota Ø 240	Wheel Ø 240	Roue Ø 240	Rad Ø 240	
6	19216035/0	4	Cuscinetto	Bearing	Coussinet	Lager	



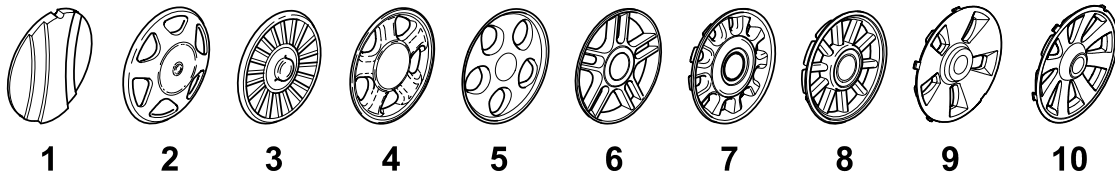
N.	CODE	Q.TY	DESCRIZIONE	DESCRIPTION	DESCRIPTION	BESCHREIBUNG	REMARK
1	381007444/0	2	Ruota Ø 180	Wheel Ø 180	Roue Ø 180	Rad Ø 180	
2	322042064/0	4	Bussola	Bush	Douille	Buchse	
5	381007446/0	2	Ruota Ø 240	Wheel Ø 240	Roue Ø 240	Rad Ø 240	
6	322042064/0	4	Bussola	Bush	Douille	Buchse	



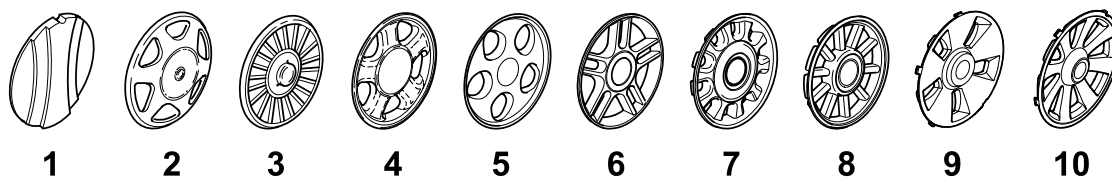
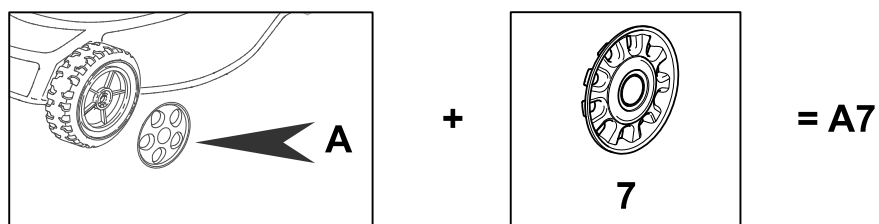
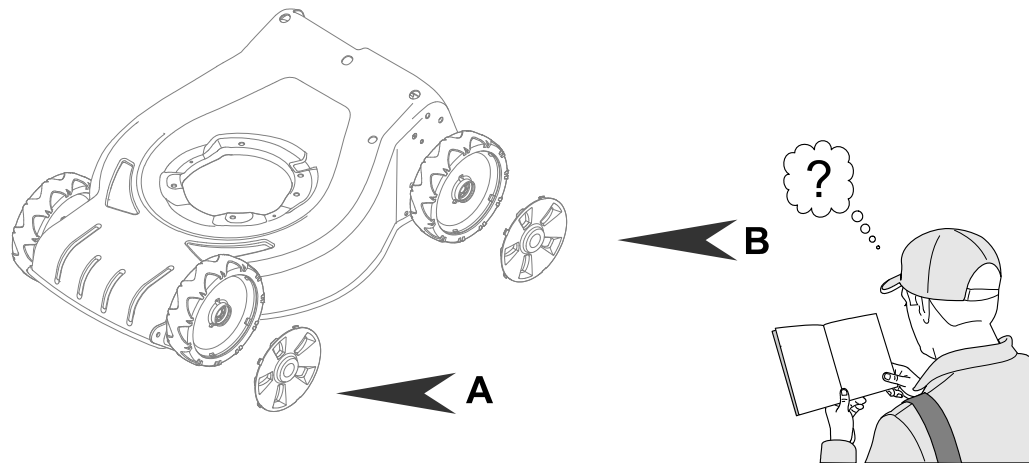
+



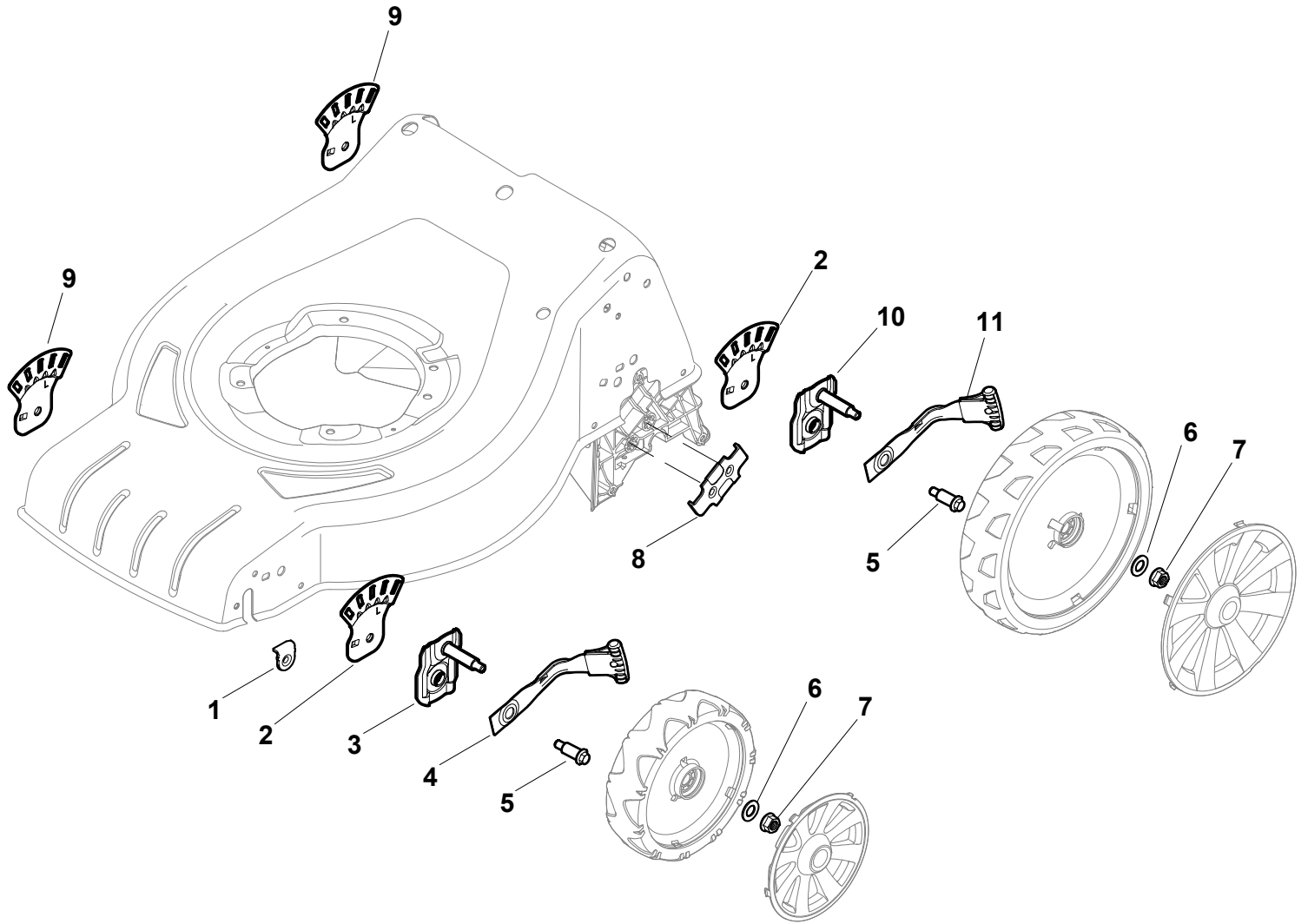
= A7



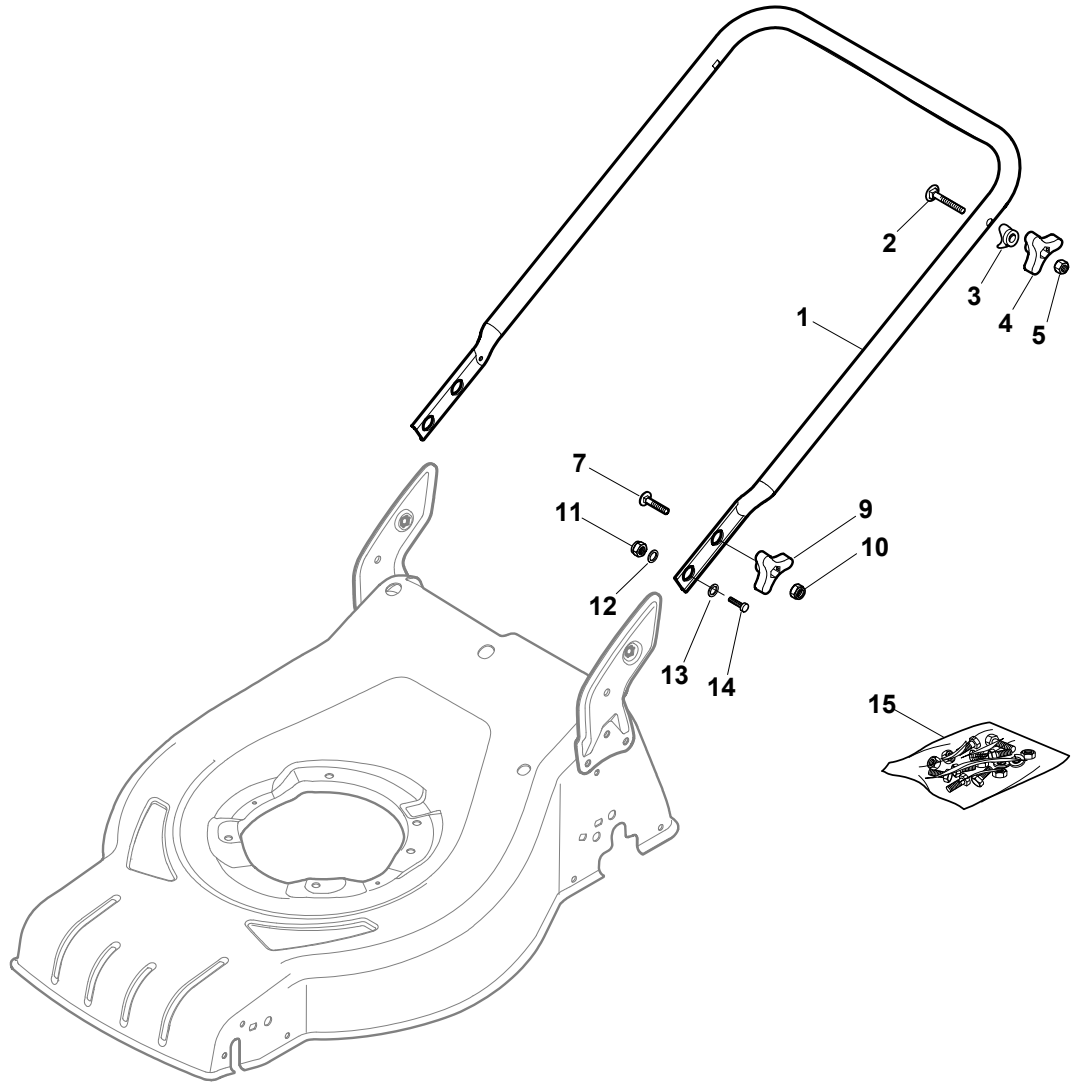
N.	CODE	Q.TY	DESCRIZIONE	DESCRIPTION	DESCRIPTION	BESCHREIBUNG	REMARK
B1	22110251/0	2	Coprizzo Bianco	Hub Cap White	Couvre-Moyeu	Radkappe Weiße	
A1	22110252/1	2	Coprizzo Bianco	Hub Cap White	Couvre-Moyeu	Radkappe Weiße	
B1	22110253/0	2	Coprizzo Giallo	Hub Cap Yellow	Couvre-Moyeu	Radkappe Gelbe	
A1	22110254/1	2	Coprizzo Giallo	Hub Cap Yellow	Couvre-Moyeu	Radkappe Gelbe	
A1	22110255/1	2	Coprizzo Rosso	Hub Cap Red	Couvre-Moyeu	Radkappe Rote	
B1	22110256/0	2	Coprizzo Rosso	Hub Cap Red	Couvre-Moyeu	Radkappe Rote	
A1	22110381/0	2	Coprizzo Grigio	Hub Cap Grey	Couvre-Moyeu Gris	Radkappe Grau	
B1	22110382/0	2	Coprizzo Grigio	Hub Cap Grey	Couvre-Moyeu Gris	Radkappe Grau	
B2	22110313/0	2	Coprizzo Bianco	Hub Cap White	Couvre-Moyeu	Radkappe Weiße	
B2	22110314/0	2	Coprizzo Grigio	Hub Cap Grey	Couvre-Moyeu Gris	Radkappe Grau	
A2	22110344/0	2	Coprizzo Bianco	Hub Cap White	Couvre-Moyeu	Radkappe Weiße	
A2	22110395/0	2	Coprizzo Grigio	Hub Cap Grey	Couvre-Moyeu Gris	Radkappe Grau	
A3	22110347/0	2	Coprizzo Grigio	Hub Cap Grey	Couvre-Moyeu Gris	Radkappe Grau	
B3	22110348/0	2	Coprizzo Grigio	Hub Cap Grey	Couvre-Moyeu Gris	Radkappe Grau	
A4	22110381/0	2	Coprizzo Grigio	Hub Cap Grey	Couvre-Moyeu Gris	Radkappe Grau	
B4	22110382/0	2	Coprizzo Grigio	Hub Cap Grey	Couvre-Moyeu Gris	Radkappe Grau	
A5	22110416/0	2	Coprizzo Grigio	Hub Cap Grey	Couvre-Moyeu Gris	Radkappe Grau	
B5	22110417/0	2	Coprizzo Grigio	Hub Cap Grey	Couvre-Moyeu Gris	Radkappe Grau	
A6	22110491/0	2	Coprizzo Grigio	Hub Cap Grey	Couvre-Moyeu Gris	Radkappe Grau	
B6	22110492/0	2	Coprizzo Grigio	Hub Cap Grey	Couvre-Moyeu Gris	Radkappe Grau	
A7	22110493/0	2	Coprizzo Grigio	Hub Cap Grey	Couvre-Moyeu Gris	Radkappe Grau	
B7	22110494/0	2	Coprizzo Grigio	Hub Cap Grey	Couvre-Moyeu Gris	Radkappe Grau	
A8	22110495/0	2	Coprizzo Grigio	Hub Cap Grey	Couvre-Moyeu Gris	Radkappe Grau	
B8	22110496/0	2	Coprizzo Grigio	Hub Cap Grey	Couvre-Moyeu Gris	Radkappe Grau	
A9	322110636/0	2	Coprizzo Grigio	Hub Cap Grey	Couvre-Moyeu	Radkappe	
B9	322110643/0	2	Coprizzo Grigio	Hub Cap Grey	Couvre-Moyeu	Radkappe	
A10	322110638/0	2	Coprizzo Grigio	Hub Cap Grey	Couvre-Moyeu	Radkappe	



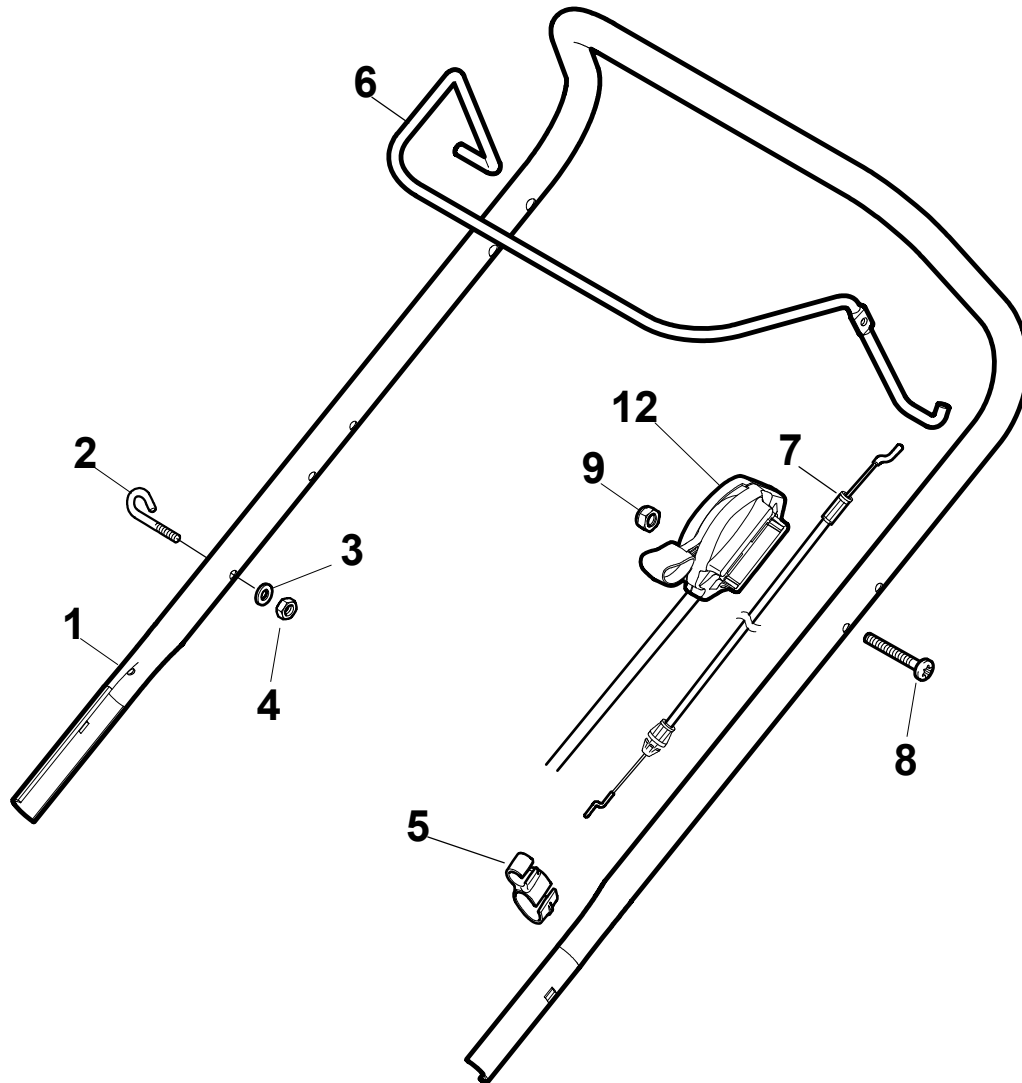
N. CODE	Q.TY	DESCRIZIONE	DESCRIPTION	DESCRIPTION	BESCHREIBUNG	REMARK
B10 322110645/0	2	Coprimezzo Grigio	Hub Cap Grey	Couvre-Moyeu	Radkappe	



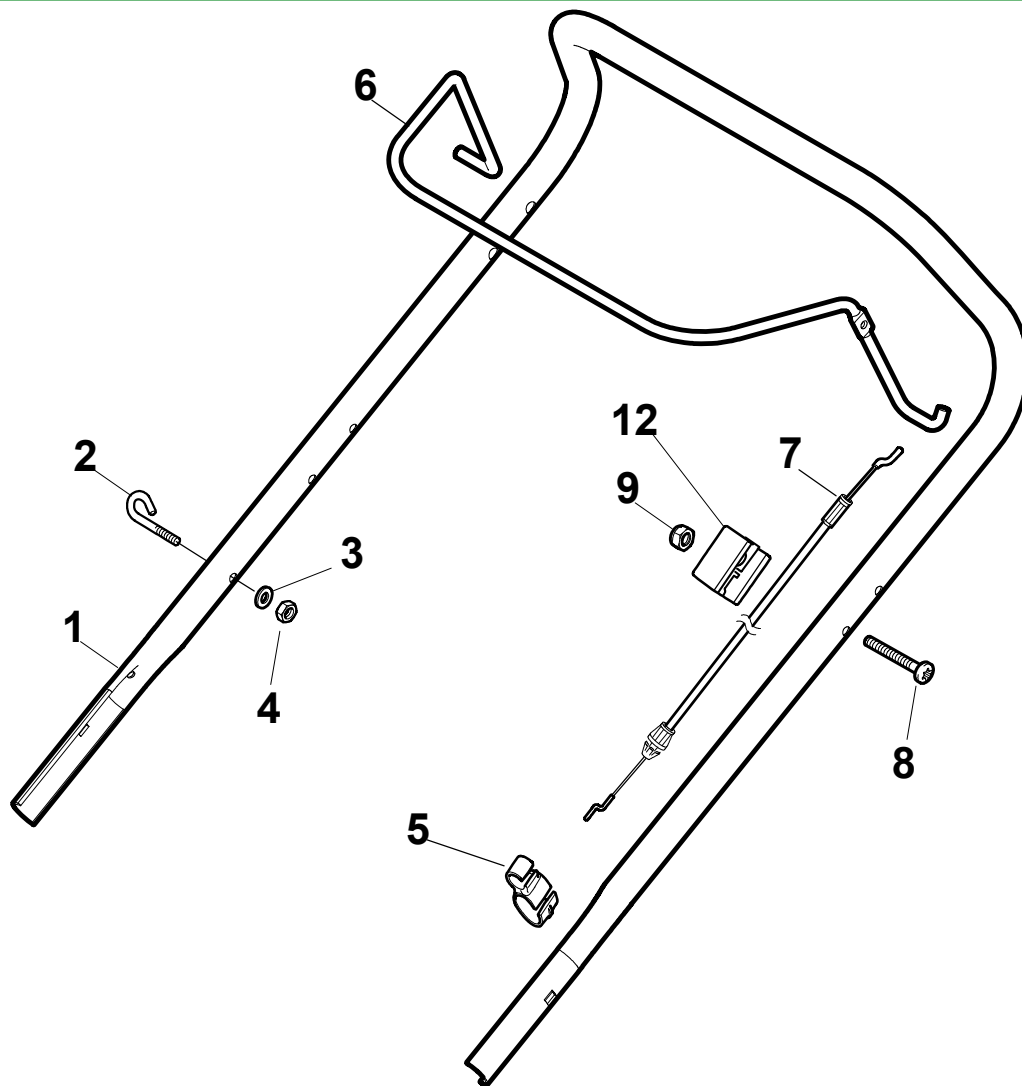
N.	CODE	Q.TY	DESCRIZIONE	DESCRIPTION	DESCRIPTION	BESCHREIBUNG	REMARK
1	322545189/0	2	Piastrina	Plate	Plaquette	Plättchen	
2	322735597/0	2	Settore Di Regolazione	Sector, Height Adjustment	Secteur Reglage	Sektor, Höheverstellung	
3	381005141/0	2	Supporto Ruota	Support, Wheel	Support Roue	Halter, Rad	
4	381003354/0	2	Leva Regolazione Altezza	Lever, Height Adjustment	Levier, Reglage Hauteur	Hebel, Höheverstellung	
5	22519811/0	4	Perno	Pin	Pivot	Bolzen	
6	12521350/0	4	Rosetta	Washer	Rondelle	Scheibe	
7	12155000/0	4	Dado	Nut	Ecrou	Mutter	
8	322545211/0	2	Piastrina	Plate	Plaquette	Plättchen	
9	322735595/0	2	Settore Di Regolazione	Sector, Height Adjustment	Secteur Reglage	Sektor, Höheverstellung	
10	381005143/0	2	Supporto Ruota	Support, Wheel	Support Roue	Halter, Rad	
11	381003357/0	2	Leva Regolazione Altezza	Lever, Height Adjustment	Levier, Reglage Hauteur	Hebel, Höheverstellung	



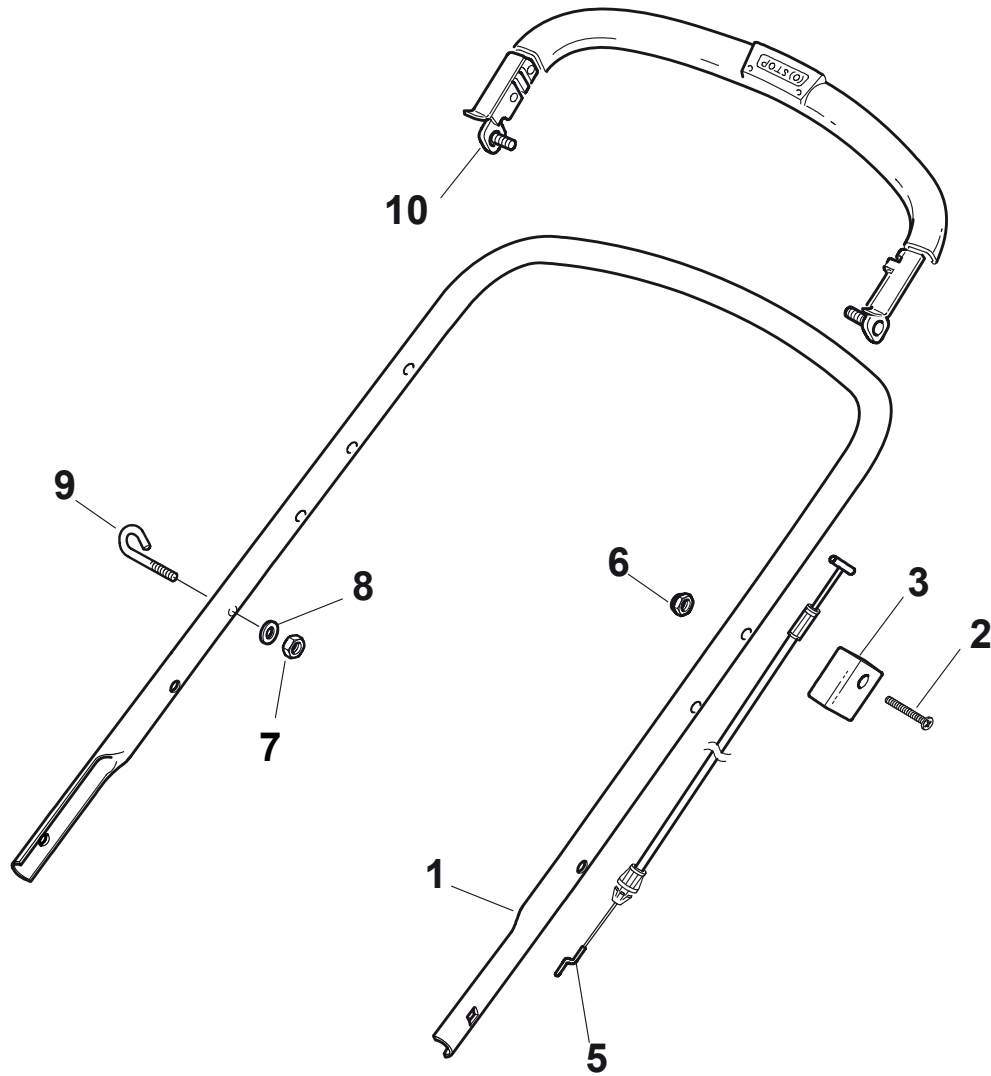
N.	CODE	Q.TY	DESCRIZIONE	DESCRIPTION	DESCRIPTION	BESCHREIBUNG	REMARK
1	381006737/0	1	Manico, Parte Inf	Handle, Lower Part	Mancheron, Partie Inferieure	Holm, Unterteil	
2	12819120/0	2	Vite	Screw	Vis	Schraube	
3	22680006/1	2	Rosetta	Washer	Rondelle	Scheibe	
4	22399900/0	2	Manopolina	Knob	Poignée	Griff	
5	12293200/0	2	Dado	Nut	Ecrou	Mutter	
7	12818900/0	2	Vite	Screw	Vis	Schraube	
9	22399900/0	2	Manopolina	Knob	Poignée	Griff	
10	12293200/0	2	Dado	Nut	Ecrou	Mutter	
11	12155000/0	2	Dado	Nut	Ecrou	Mutter	
12	12521350/0	2	Rosetta	Washer	Rondelle	Scheibe	
13	12369500/0	2	Rosetta Elastica	Elastic Washer	Rondelle Elastique	Elastische Scheibe	
14	12760605/0	2	Vite	Screw	Vis	Schraube	
15	381008691/0	1	Dotazione Viteria	Outfit, Screws	Dotation Visserie	Satz, Schrauben	



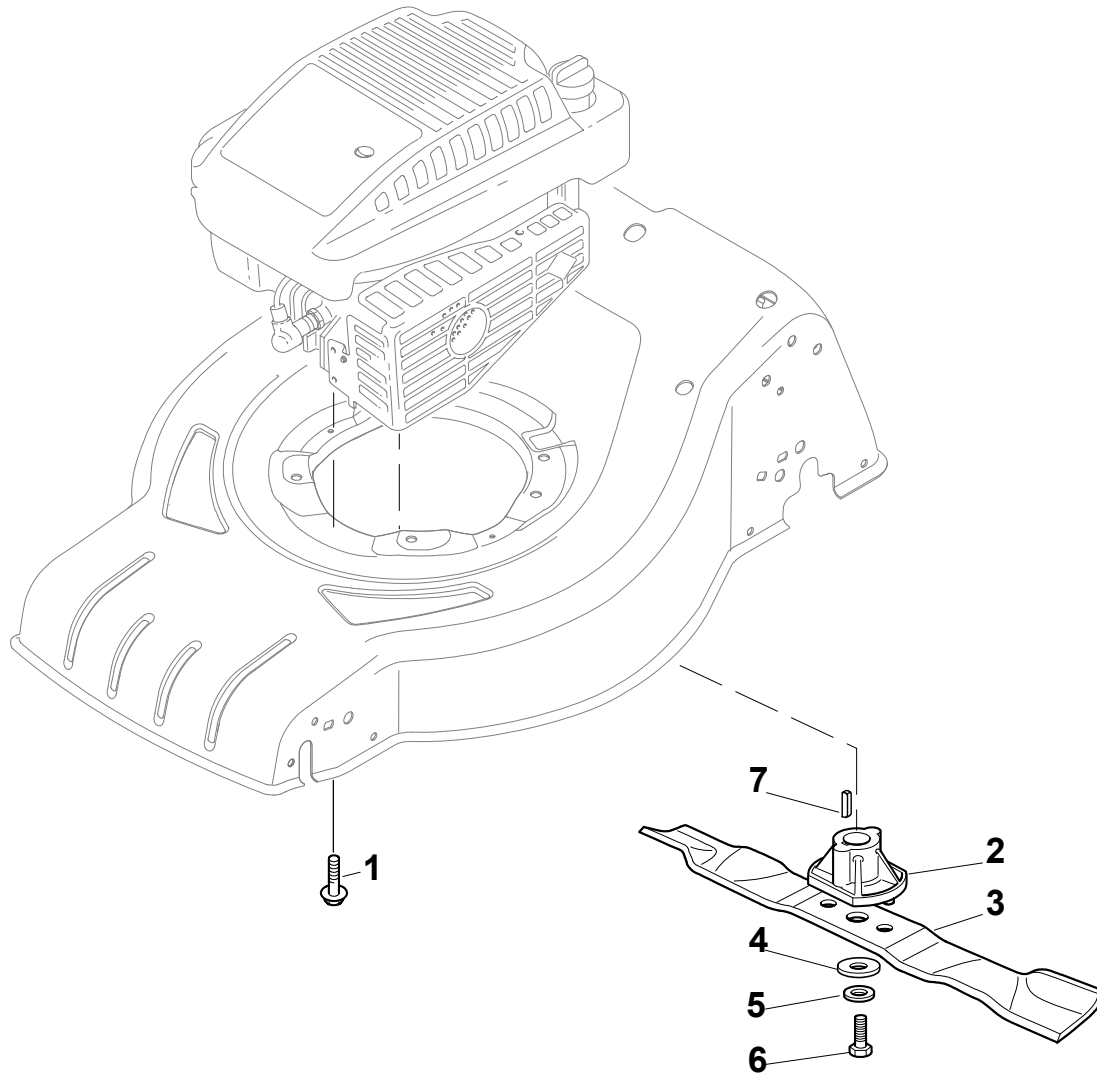
N.	CODE	Q.TY	DESCRIZIONE	DESCRIPTION	DESCRIPTION	BESCHREIBUNG	REMARK
1	381006739/0	1	Manico, Parte Sup	Handle, Upper Part	Mancheron, Partie Superieure	Holm, Oberteil	
1	381006745/0	1	Manico, Parte Sup. con impugantura in spugna	Handle, Upper Part with sponge handgrip	Mancheron, Partie Superieure avec eponge poignée	Holm, Oberteil Handgriff Schwamm	
2	22430313/0	1	Molla Guida	Guide Spring	Ressort De Guide	Feder Führer	
3	12521330/0	1	Rosetta	Washer	Rondelle	Scheibe	
4	12154510/0	1	Dado	Nut	Ecrou	Mutter	
5	118390020/0	1	Fermacavo	Fairlead	Fixation Cable	Kabelbefestigung	
6	181003363/1	1	Leva Freno Motore	Lever, Engine Brake	Levier Frein Moteur	Hebel, Motorbremse	Black
6	381003365/0	1	Leva Freno Motore	Lever, Engine Brake	Levier Frein Moteur	Hebel, Motorbremse	Yellow
6	381003376/0	1	Leva Freno Motore	Lever, Engine Brake	Levier Frein Moteur	Hebel, Motorbremse	Red
7	181030054/0	1	Cavo Freno Motore	Cable, Thread Engine Brake	Cable Frein Moteur	Kabel, Motorbremse	GGP
7	181030056/0	1	Cavo Freno Motore	Cable, Thread Engine Brake	Cable Frein Moteur	Kabel, Motorbremse	B&S
7	181030056/0	1	Cavo Freno Motore	Cable, Thread Engine Brake	Cable Frein Moteur	Kabel, Motorbremse	GGP
7	181030069/0	1	Cavo Freno Motore	Cable, Thread Eng. Brake	Cable Frein Moteur	Kabel, Motorbremse	HONDA
8	12727783/0	1	Vite	Screw	Vis	Schraube	
9	12154510/0	1	Dado	Nut	Ecrou	Mutter	
12	181005504/1	1	Cavo Acceleratore	Throttle Cable	Cable, Accelérateur	Gashebel Kabel	GGP
12	181005511/0	1	Cavo Acceleratore	Throttle Cable	Cable, Accelérateur	Gashebel Kabel	
12	181005517/0	1	Cavo Acceleratore	Throttle Cable	Cable, Accelérateur	Gashebel Kabel	GGP
12	181005517/0	1	Cavo Acceleratore	Throttle Cable	Cable, Accelérateur	Gashebel Kabel	HONDA



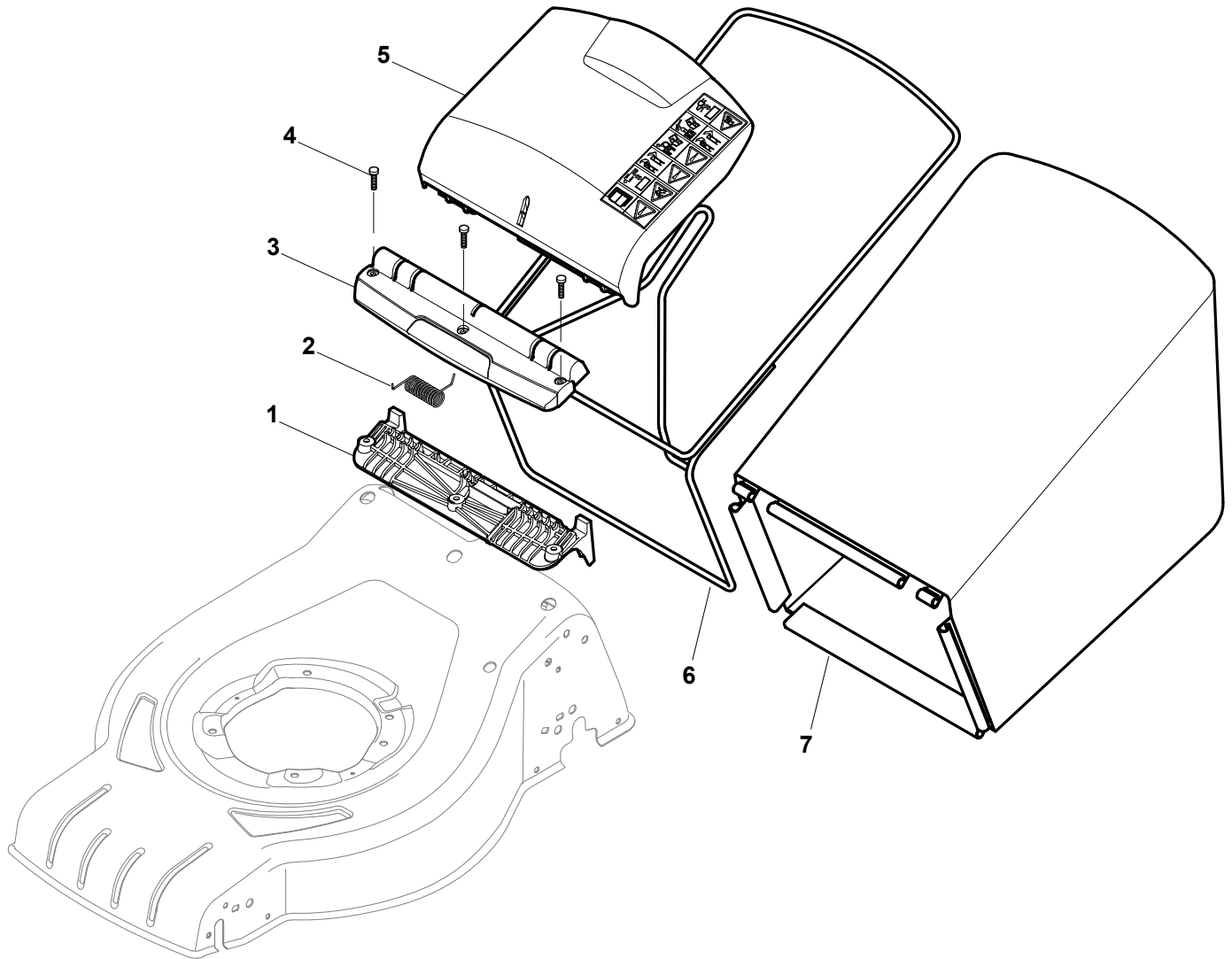
N.	CODE	Q.TY	DESCRIZIONE	DESCRIPTION	DESCRIPTION	BESCHREIBUNG	REMARK
1	381006739/0	1	Manico, Parte Sup	Handle, Upper Part	Mancheron, Partie Superieure	Holm, Oberteil	
1	381006745/0	1	Manico, Parte Sup. con impugantura in spugna	Handle, Upper Part with sponge handgrip	Mancheron, Partie Superieure avec éponge poignée	Holm, Oberteil Handgriff Schwamm	
2	22430313/0	1	Molla Guida	Guide Spring	Ressort De Guide	Feder Führer	
3	12521330/0	1	Rosetta	Washer	Rondelle	Scheibe	
4	12154510/0	1	Dado	Nut	Ecrou	Mutter	
5	118390020/0	1	Fermacavo	Fairlead	Fixation Cable	Kabelbefestigung	
6	181003363/1	1	Leva Freno Motore	Lever, Engine Brake	Levier Frein Moteur	Hebel, Motorbremse	Black
6	381003365/0	1	Leva Freno Motore	Lever, Engine Brake	Levier Frein Moteur	Hebel, Motorbremse	Yellow
6	381003376/0	1	Leva Freno Motore	Lever, Engine Brake	Levier Frein Moteur	Hebel, Motorbremse	Red
7	181030054/0	1	Cavo Freno Motore	Cable, Thread Engine Brake	Cable Frein Moteur	Kabel, Motorbremse	GGP
7	181030056/0	1	Cavo Freno Motore	Cable, Thread Engine Brake	Cable Frein Moteur	Kabel, Motorbremse	B&S
7	181030056/0	1	Cavo Freno Motore	Cable, Thread Engine Brake	Cable Frein Moteur	Kabel, Motorbremse	GGP
7	181030069/0	1	Cavo Freno Motore	Cable, Thread Eng. Brake	Cable Frein Moteur	Kabel, Motorbremse	HONDA
8	12727783/0	1	Vite	Screw	Vis	Schraube	
9	12154510/0	1	Dado	Nut	Ecrou	Mutter	
12	22551640/0	1	Piastrina	Plate	Plaquette	Plättchen	



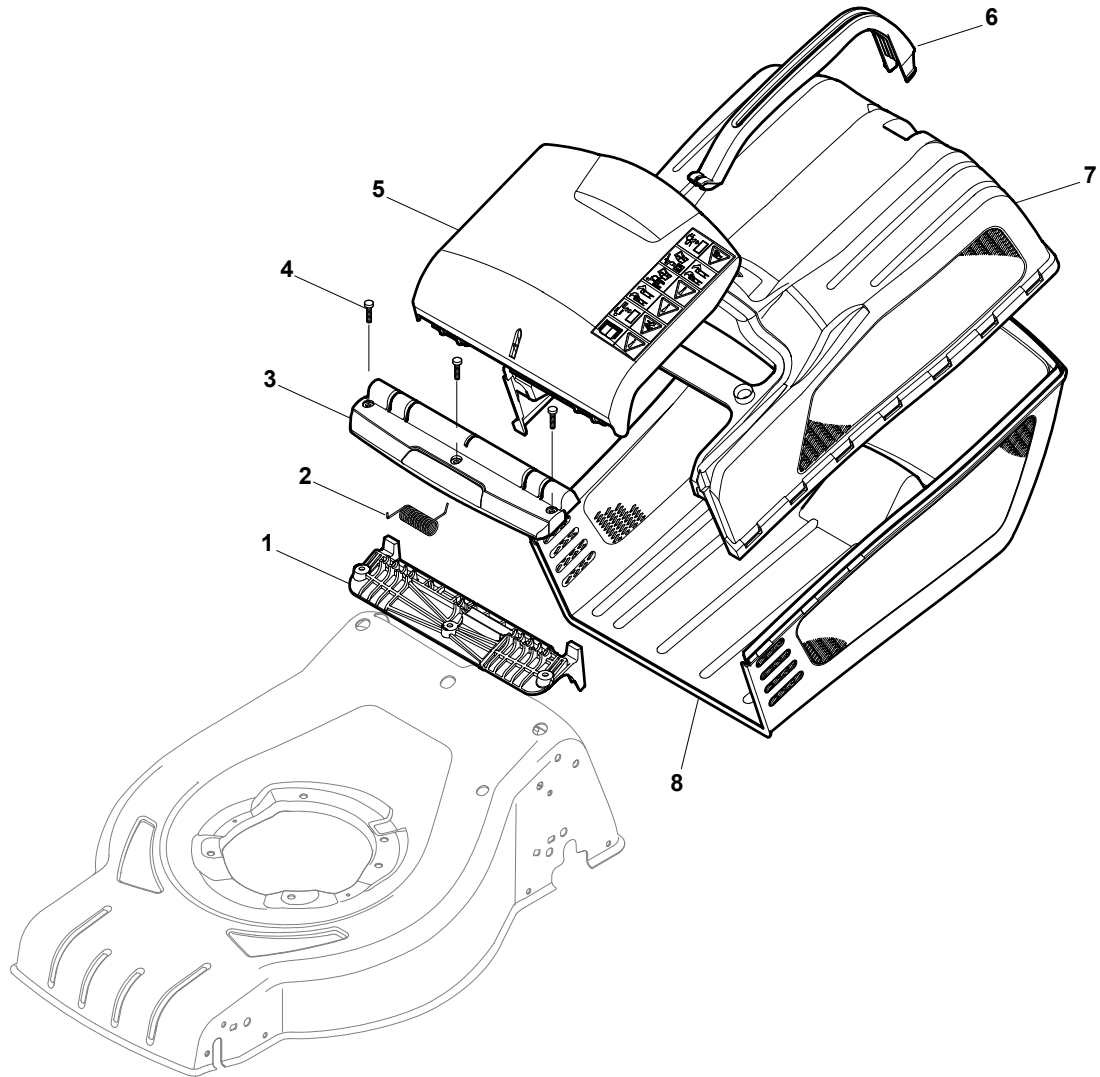
N.	CODE	Q.TY	DESCRIZIONE	DESCRIPTION	DESCRIPTION	BESCHREIBUNG	REMARK
1	81006979/2	1	Manico, Parte Sup	Handle, Upper Part	Mancheron, Partie Superieure	Holm, Oberteil	
2	12727787/0	1	Vite	Screw	Vis	Schraube	
3	22551640/0	1	Piastrina	Plate	Plaquette	Plättchen	
5	181030056/0	1	Cavo Freno Motore	Cable, Thread Engine Brake	Cable Frein Moteur	Kabel, Motorbremse	(Ggp 150cc)
5	181030057/0	1	Cavo Freno Motore	Cable, Thread Engine Brake	Cable Frein Moteur	Kabel, Motorbremse	
6	12154510/0	1	Dado	Nut	Ecrou	Mutter	
7	12154510/0	1	Dado	Nut	Ecrou	Mutter	
8	12521330/0	1	Rosetta	Washer	Rondelle	Scheibe	
9	22430313/0	1	Molla Guida	Guide Spring	Ressort De Guide	Feder Führer	
10	381003330/0	1	Leva Freno Motore	Lever, Engine Brake	Levier Frein Moteur	Hebel, Motorbremse	



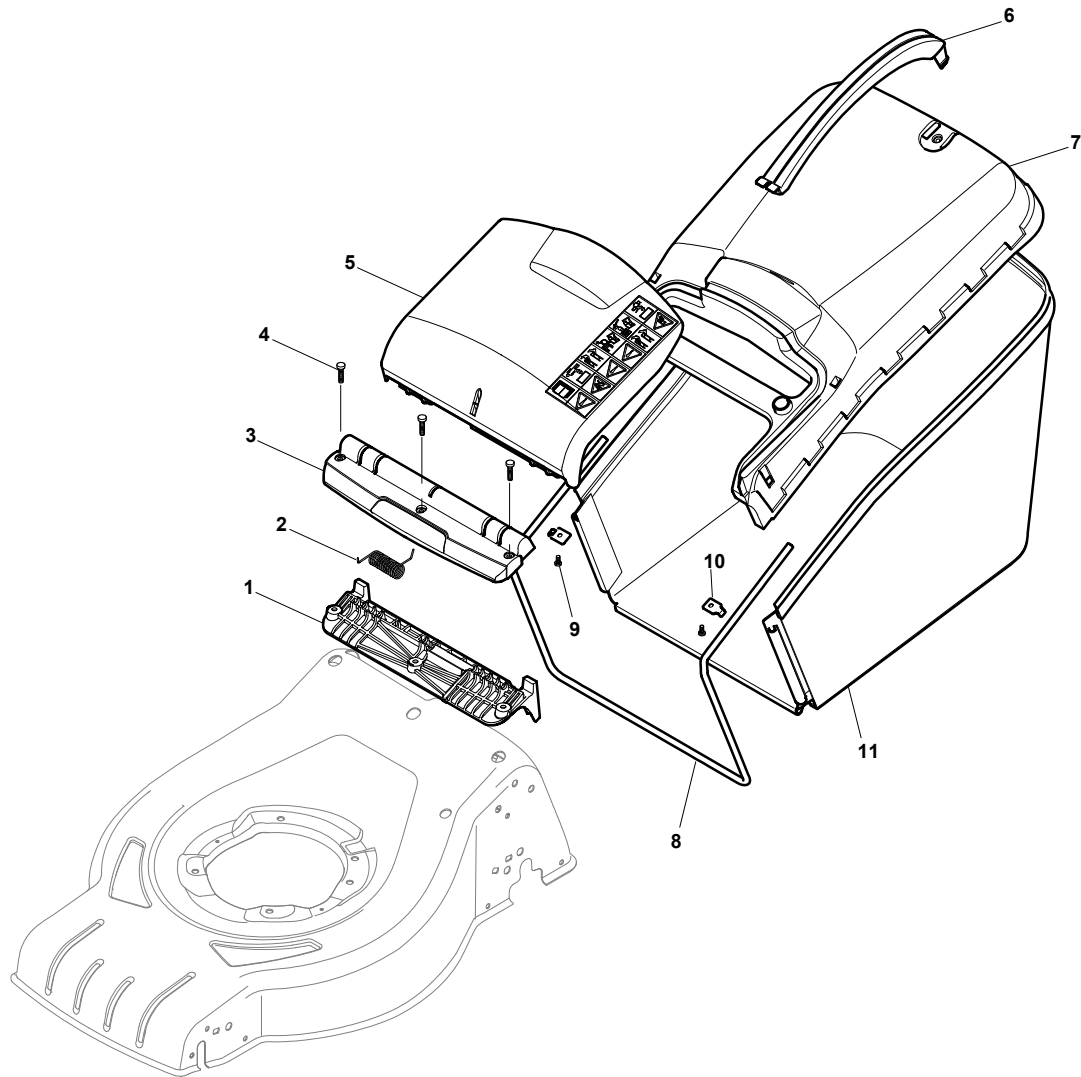
N.	CODE	Q.TY	DESCRIZIONE	DESCRIPTION	DESCRIPTION	BESCHREIBUNG	REMARK
1	112735108/1	3	Vite	Screw	Vis	Schraube	
1	112735108/1	2	Vite	Screw	Vis	Schraube	
1	112735109/1	1	Vite	Screw	Vis	Schraube	
2	122463020/1	1	Mozzo, Albero Motore Ø 25	Hub, Crankshaft Ø 25	Moyeu, Arbre Moteur Ø 25	Halter, Motorwelle Ø 25	HONDA
2	22463012/2	1	Mozzo, Albero Motore Ø 22.2	Hub, Crankshaft Ø 22.2	Moyeu, Arbre Moteur Ø 22.2	Halter, Motorwelle Ø 22.2	B&S-GGP
3	81004341/3	1	Coltello Standard	Blade Standard	Lame Standard	Messer Standard	434
4	22160400/0	1	Disco Elastico	Elastic Washer	Rondelle Elastique	Elastischescheibe	
5	12523080/0	1	Rosetta	Washer	Rondelle	Scheibe	
6	12735698/0	1	Vite	Screw	Vis	Schraube	
7	12139100/0	1	Linguetta, Albero Motore Ø 22.2	Feather, Crankshaft Ø 22.2	Clavette, Arbre Moteur Ø 22.2	Keil, Motorwelle Ø 22.2	B&S-GGP
7	12139150/0	1	Linguetta, Albero Motore Ø 25	Feather, Crankshaft Ø 25	Clavette, Arbre Moteur Ø 25	Keil, Motorwelle Ø 25	HONDA



N.	CODE	Q.TY	DESCRIZIONE	DESCRIPTION	DESCRIPTION	BESCHREIBUNG	REMARK
1	322785331/0	1	Supporto	Support	Support	Halter	
2	122450464/0	1	Molla	Spring	Ressort	Feder	
3	322109556/0	1	Copertura	Cover	Couvre	Kappe	Yellow
3	322109557/0	1	Copertura	Cover	Couvre	Kappe	Grey
4	112728699/0	3	Vite	Screw	Vis	Schraube	
5	322600214/0	1	Parasassi	Stone-Guard	Pare-Pierres	Prallblech	Yellow
5	322600216/0	1	Parasassi	Stone-Guard	Pare-Pierres	Prallblech	Grey
6	181006409/0	1	Telaio Sacco	Chassis Box	Châssis Bac	Rahmen Sack	
7	181002319/0	1	Sacco, Tela	Box, Fabric	Sac, Toile	Sack, Tuck	



N.	CODE	Q.TY	DESCRIZIONE	DESCRIPTION	DESCRIPTION	BESCHREIBUNG	REMARK
1	322785331/0	1	Supporto	Support	Support	Halter	
2	122450464/0	1	Molla	Spring	Ressort	Feder	
3	322109556/0	1	Copertura	Cover	Couvre	Kappe	Yellow
3	322109557/0	1	Copertura	Cover	Couvre	Kappe	Grey
4	112728699/0	3	Vite	Screw	Vis	Schraube	
5	322600214/0	1	Parasassi	Stone-Guard	Pare-Pierres	Prallblech	Yellow
5	322600216/0	1	Parasassi	Stone-Guard	Pare-Pierres	Prallblech	Grey
6	322393645/0	1	Maniglia	Handle	Poignée	Griff	
7	322486263/0	1	Parte Sup.Sacco	Grassbox Upper Part	Sac, Partie Superieure	Korb Oberteil	
8	322486267/0	1	Parte Infer. Sacco	Grassbox Lower Part	Sac, Partie Inferieure	Korb Unterteil	



N.	CODE	Q.TY	DESCRIZIONE	DESCRIPTION	DESCRIPTION	BESCHREIBUNG	REMARK
1	322785331/0	1	Supporto	Support	Support	Halter	
2	122450464/0	1	Molla	Spring	Ressort	Feder	
3	322109556/0	1	Copertura	Cover	Couvre	Kappe	Yellow
3	322109557/0	1	Copertura	Cover	Couvre	Kappe	Grey
4	112728699/0	3	Vite	Screw	Vis	Schraube	
5	322600214/0	1	Parasassi	Stone-Guard	Pare-Pierres	Prallblech	Yellow
5	322600216/0	1	Parasassi	Stone-Guard	Pare-Pierres	Prallblech	Grey
6	322393646/0	1	Maniglia	Handle	Poignée	Griff	
6	322393649/0	1	Maniglia	Handle	Poignée	Griff	
7	322486264/0	1	Parte Sup.Sacco	Grassbox Upper Part	Sac, Partie Superieure	Korb Oberteil	
7	322486270/0	1	Parte Sup.Sacco	Grassbox Upper Part	Sac, Partie Superieure	Korb Oberteil	
8	122608561/0	1	Rinforzo Inf	Stiffening Lower	Réinforcement Inf	Verstärkung	
9	322545159/0	2	Piastrina	Plate	Plaquette	Plättchen	
10	12728692/0	2	Vite	Screw	Vis	Schraube	
11	181002318/0	1	Sacco, Tela	Box, Fabric	Sac, Toile	Sack, Tuck	