

Genuine Spare Parts

7F)' ('K !7G)' ('K

Catalogo delle parti di ricambio
Spare parts catalogue
Catalogue des pieces de rechange
Ersatzteilkatalog

2011

- Use GLOBAL GARDEN PRODUCT Genuine Spare Parts specified in the parts list for repair and/or replacement.
- The contents described in the parts list may change due to improvement.
- The drawings of the spare parts are only indicative and might not represent the part in question exactly.
- The indications "right" - "left" - "front" - "rear" refer to the position of the operator when using the machine.
- When placing orders of parts for repair and/or replacement, make sure that the illustrated parts list is the one applying to the machine's year of manufacture, as shown on the identification plate attached to the machine.

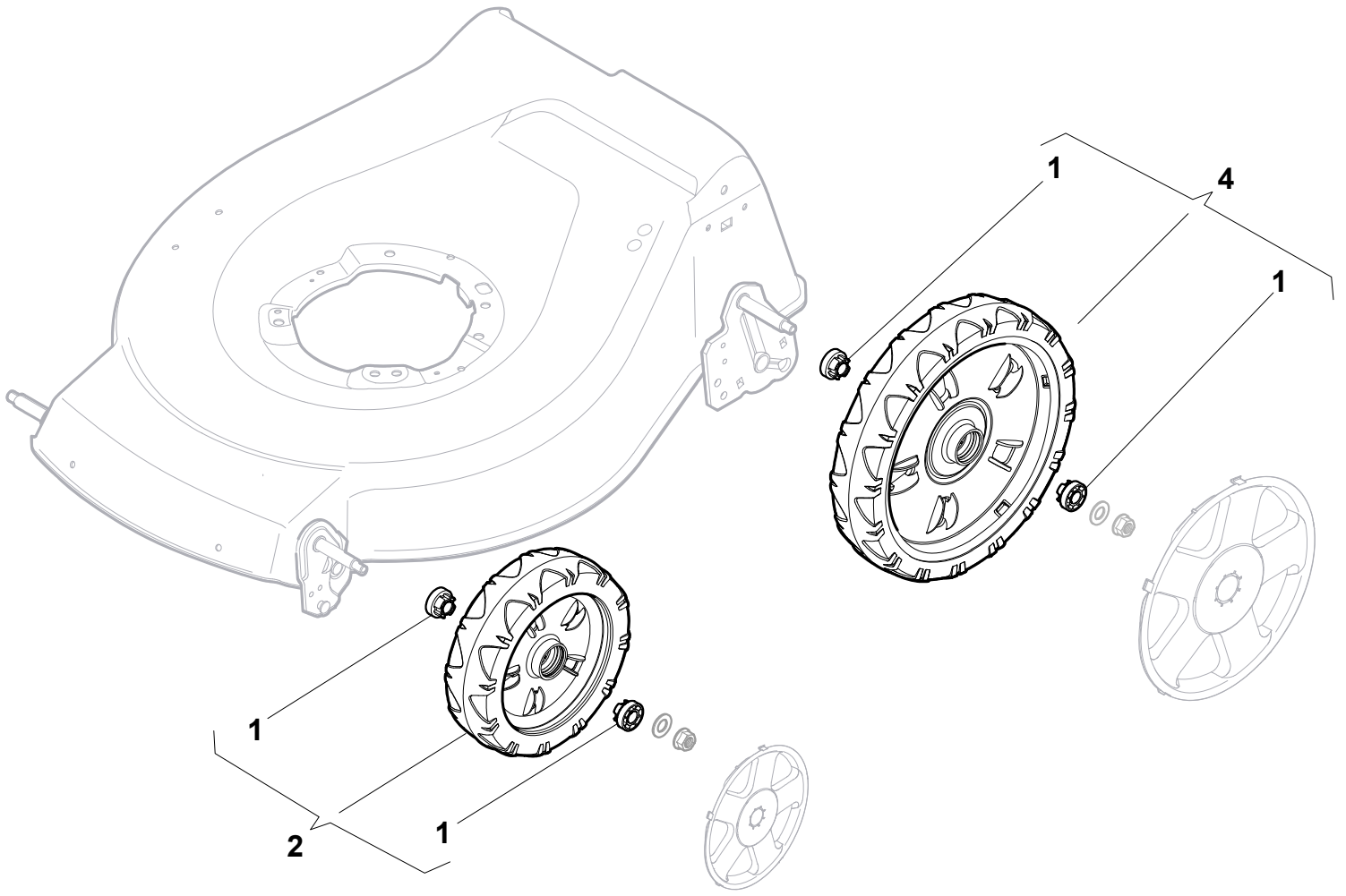
© Copyright 2011 Global Garden Products

All content is subject to copyright by Global Garden Products and may not be reproduced in whole or in part by any means, electronic or otherwise, without prior written approval.

THIS INFORMATION IS NOT INTENDED FOR SALE OR RESALE, AND THIS NOTICE MUST REMAIN ON ALL COPIES.

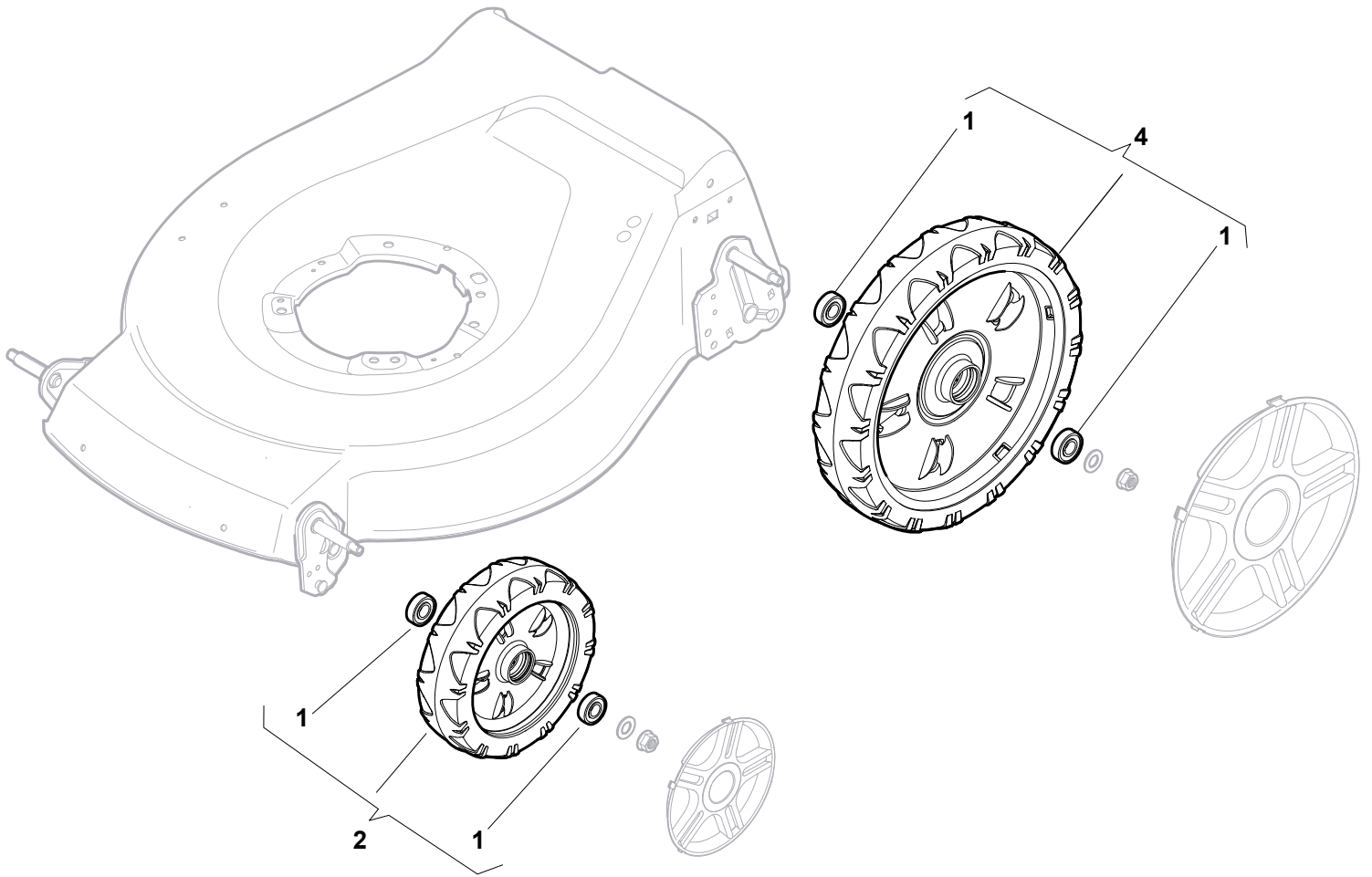


GLOBAL GARDEN PRODUCTS

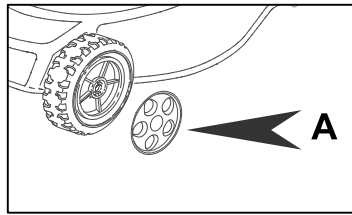
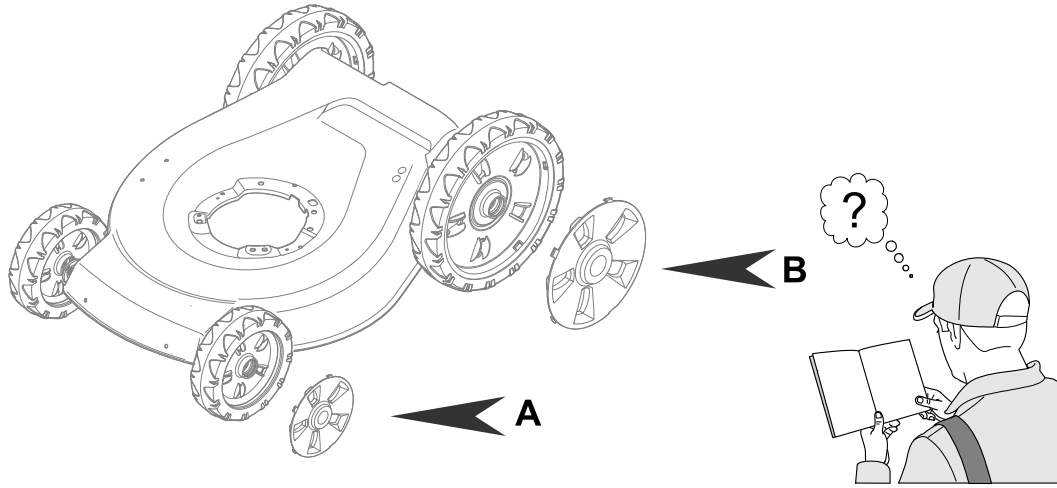


| N. | CODE | Q.TY | DESCRIZIONE | DESCRIPTION | DESCRIPTION | BESCHREIBUNG | REMARK |
|----|-------------|------|-------------|-------------|-------------|--------------|--------|
| 1 | 322042063/0 | 8 | Bussola | Bearing | Coussinet | Lager | |
| 2 | 381007435/0 | 2 | Ruota Ø 200 | Ruota Ø 200 | Roue Ø 200 | Rad Ø 200 | |
| 4 | 381007436/0 | 2 | Ruota Ø 280 | Ruota Ø 280 | Roue Ø 280 | Rad Ø 280 | |

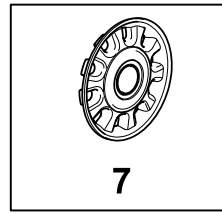
7F)'('K!7G)'('K'



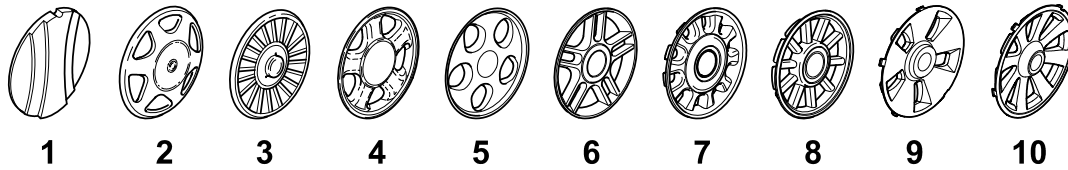
| N. CODE | Q.TY | DESCRIZIONE | DESCRIPTION | DESCRIPTION | BESCHREIBUNG | REMARK | |
|---------|-------------|-------------|-------------|-------------|--------------|-----------|--|
| 1 | 19216035/0 | 8 | Cuscinetto | Bearing | Coussinet | Lager | |
| 2 | 381007416/1 | 2 | Ruota Ø 200 | Ruota Ø 200 | Roue Ø 200 | Rad Ø 200 | |
| 4 | 381007417/1 | 2 | Ruota Ø 280 | Ruota Ø 280 | Roue Ø 280 | Rad Ø 280 | |



+

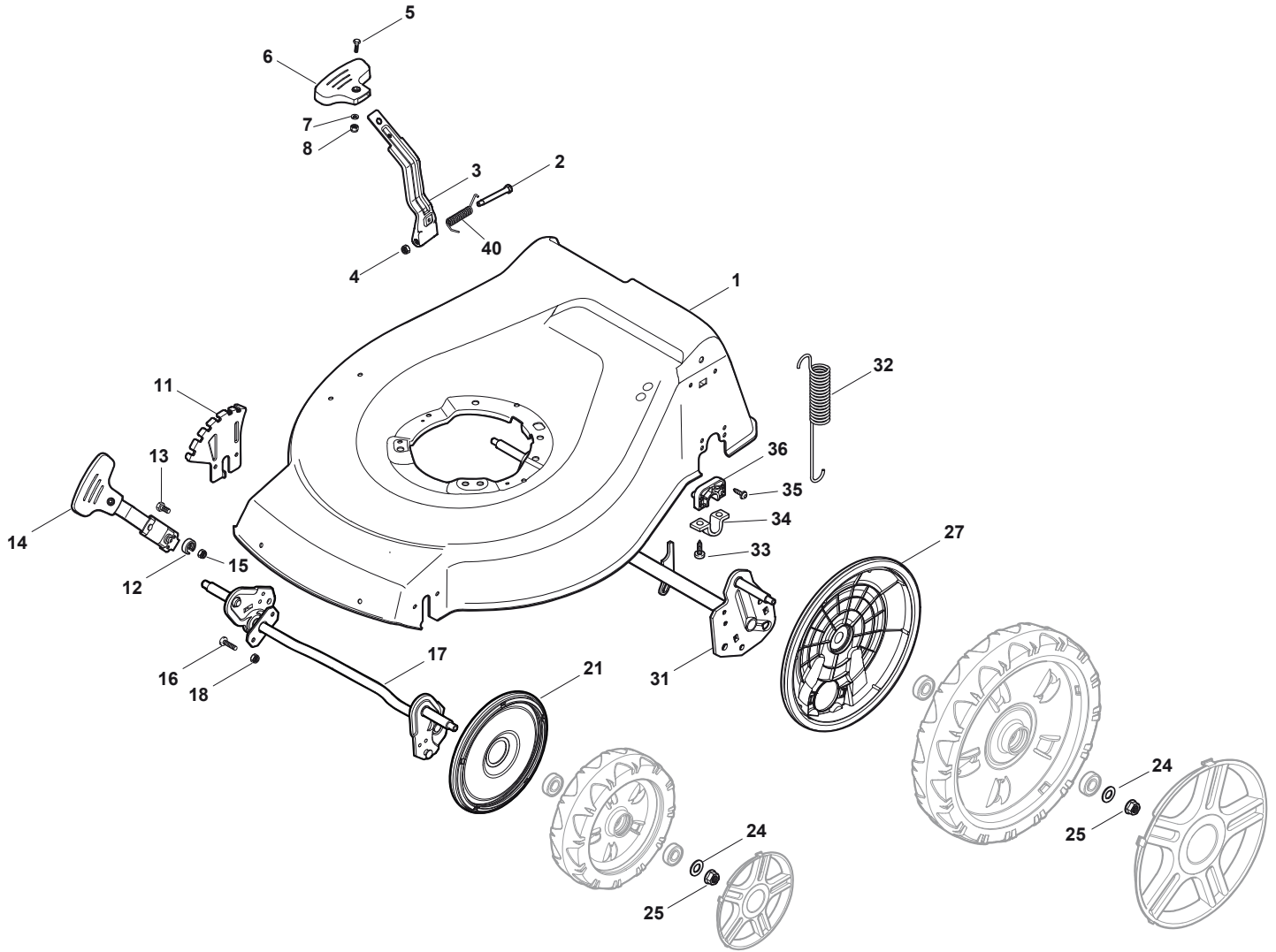


= A7



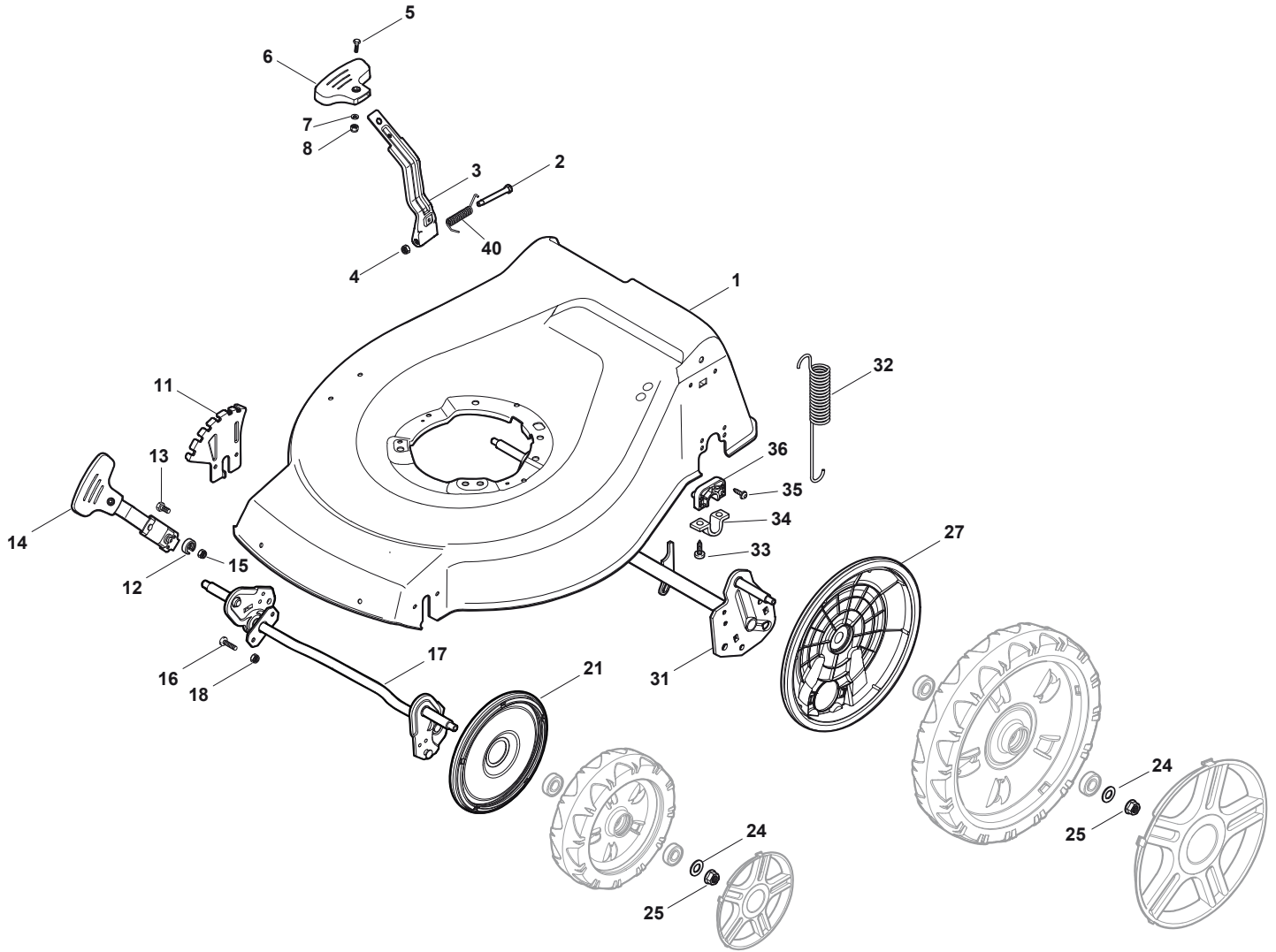
| N. CODE | Q.TY | DESCRIZIONE | DESCRIPTION | DESCRIPTION | BESCHREIBUNG | REMARK | |
|---------|-------------|-------------|-------------------|----------------|-------------------|----------------|--|
| A1 | 22110251/0 | 2 | Coprimezzo Bianco | Hub Cap White | Couvre-Moyeu | Radkappe Weiße | |
| A1 | 22110253/0 | 2 | Coprimezzo Giallo | Hub Cap Yellow | Couvre-Moyeu | Radkappe Gelbe | |
| A1 | 22110256/0 | 2 | Coprimezzo Rosso | Hub Cap Red | Couvre-Moyeu | Radkappe Rote | |
| A1 | 22110382/0 | 2 | Coprimezzo Grigio | Hub Cap Grey | Couvre-Moyeu Gris | Radkappe Grau | |
| A2 | 22110313/0 | 2 | Coprimezzo Bianco | Hub Cap White | Couvre-Moyeu | Radkappe Weiße | |
| A2 | 22110314/0 | 2 | Coprimezzo Grigio | Hub Cap Grey | Couvre-Moyeu Gris | Radkappe Grau | |
| A3 | 22110348/0 | 2 | Coprimezzo Grigio | Hub Cap Grey | Couvre-Moyeu Gris | Radkappe Grau | |
| A4 | 22110382/0 | 2 | Coprimezzo Grigio | Hub Cap Grey | Couvre-Moyeu Gris | Radkappe Grau | |
| B4 | 22110511/0 | 2 | Coprimezzo Grigio | Hub Cap Grey | Couvre-Moyeu Gris | Radkappe Grau | |
| A5 | 22110417/0 | 2 | Coprimezzo Grigio | Hub Cap Grey | Couvre-Moyeu Gris | Radkappe Grau | |
| B5 | 322110590/0 | 2 | Coprimezzo Grigio | Hub Cap Grey | Couvre-Moyeu Gris | Radkappe Grau | |
| A6 | 22110492/0 | 2 | Coprimezzo Grigio | Hub Cap Grey | Couvre-Moyeu Gris | Radkappe Grau | |
| B6 | 322110560/0 | 2 | Coprimezzo Grigio | Hub Cap Grey | Couvre-Moyeu Gris | Radkappe Grau | |
| A7 | 22110494/0 | 2 | Coprimezzo Grigio | Hub Cap Grey | Couvre-Moyeu Gris | Radkappe Grau | |
| A8 | 22110496/0 | 2 | Coprimezzo Grigio | Hub Cap Grey | Couvre-Moyeu Gris | Radkappe Grau | |
| A9 | 322110643/0 | 2 | Coprimezzo Grigio | Hub Cap Grey | Couvre-Moyeu | Radkappe | |
| B9 | 322110644/0 | 2 | Coprimezzo | Hub Cap | Couvre-Moyeu | Radkappe | |
| A10 | 322110645/0 | 2 | Coprimezzo Grigio | Hub Cap Grey | Couvre-Moyeu | Radkappe | |
| B10 | 322110646/0 | 2 | Coprimezzo | Hub Cap | Couvre-Moyeu | Radkappe | |

7F)'('K!7G)'('K'



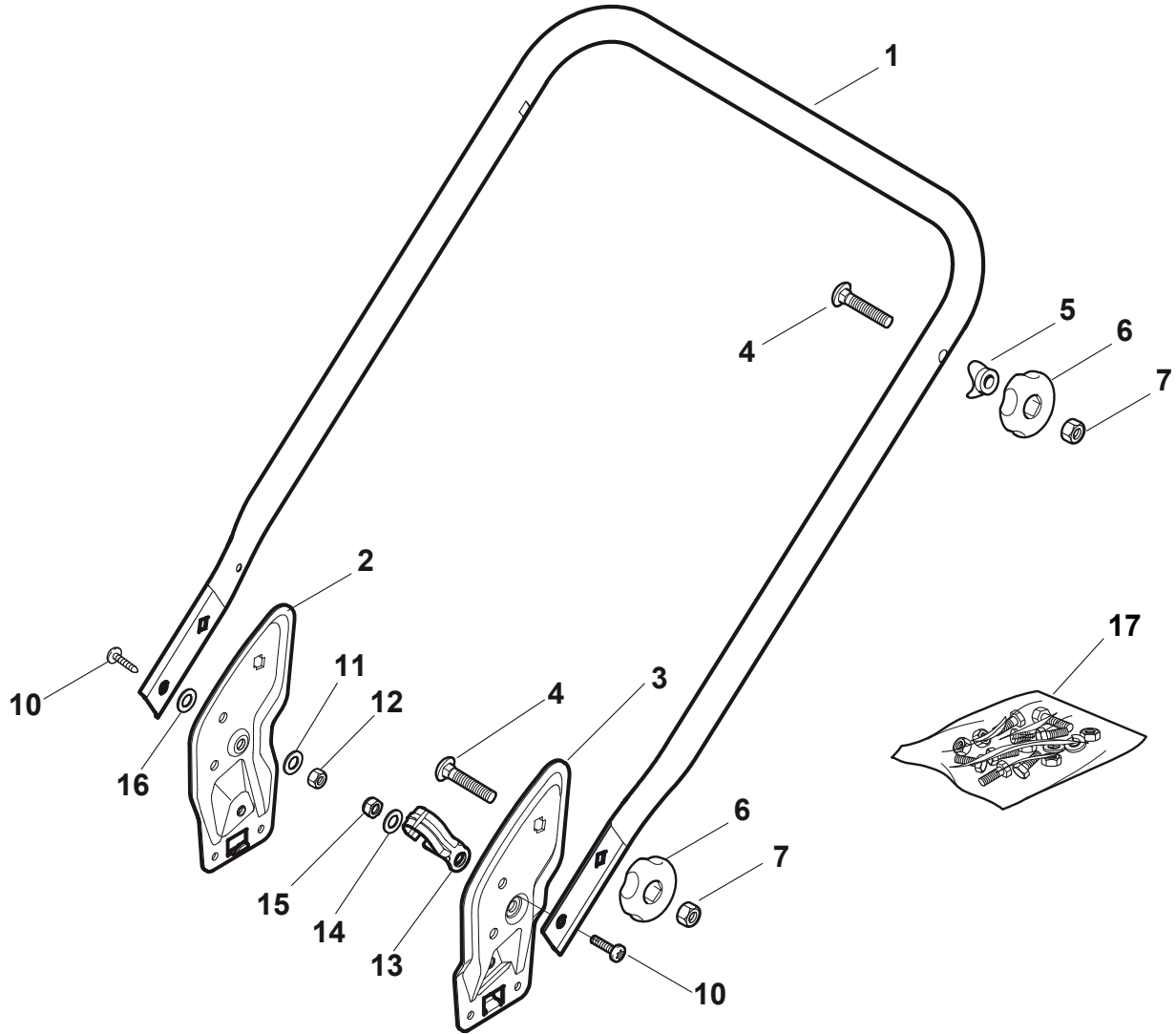
| N. | CODE | Q.TY | DESCRIZIONE | DESCRIPTION | DESCRIPTION | BESCHREIBUNG | REMARK |
|----|-------------|------|-----------------------------|---------------------------|-------------------------|--------------------------|--------|
| 1 | 381003909/0 | 1 | Chassis Rosso | Deck Red | Châssis Rouge | Gehäuse Rot | |
| 1 | 381003915/0 | 1 | Chassis Giallo | Deck Yellow | Châssis Jaune | Gehäuse Gelb | |
| 1 | 381003945/0 | 1 | Chassis Nero | Deck Black | Châssis Noir | Gehäuse Schwarz | |
| 1 | 381003984/0 | 1 | Chassis Grigio | Deck Grey | Châssis Gris | Gehäuse Grau | |
| 2 | 122534131/0 | 1 | Perno | Pin | Pivot | Bolzen | |
| 3 | 322322853/0 | 1 | Leva Regolazione Altezza | Lever, Height Adjustment | Levier, Reglage Hauteur | Hebel, Höhenverstellung | |
| 4 | 112154510/0 | 1 | Dado | Nut | Ecrou | Mutter | |
| 5 | 12788512/0 | 1 | Vite | Screw | Vis | Schraube | |
| 6 | 322394503/0 | 1 | Manopolina | Knob | Poignée | Griff | |
| 7 | 12521310/0 | 1 | Rondella | Washer | Rondelle | Scheibe | |
| 8 | 12150000/0 | 1 | Dado | Nut | Ecrou | Mutter | |
| 9 | 322042063/0 | 2 | Bussola | Bearing | Coussinet | Lager | |
| 11 | 322735589/0 | 1 | Settore Regolazione Altezza | Sector, Height Adjustment | Secteur Reglage Hauteur | Sektor, Höhenverstellung | |
| 12 | 22171002/0 | 2 | Distanziale | Spacer | Entretoise | Distanzring | |
| 13 | 12789000/0 | 2 | Vite | Screw | Vis | Schraube | |
| 14 | 381003351/0 | 1 | Leva Regolazione Altezza | Lever, Height Adjustment | Levier Reglage Hauteur | Hebel, Höhenverstellung | |
| 15 | 12154330/0 | 2 | Dado | Nut | Ecrou | Mutter | |
| 16 | 112727803/0 | 4 | Vite | Screw | Vis | Schraube | |
| 17 | 381002885/1 | 1 | Asse Ruote Anteriori | Axle, Front Wheels | Axe Roues Avant | Achse, Vorderrad | 534 |
| 18 | 12154510/0 | 4 | Dado | Nut | Ecrou | Mutter | |
| 21 | 322600145/0 | 2 | Prot. Ruote | Protection, Wheel | Protection Roue | Schütz, Räder | |
| 24 | 12521350/0 | 4 | Rosetta | Washer | Rondelle | Scheibe | |
| 25 | 12155000/0 | 4 | Dado | Nut | Ecrou | Mutter | |
| 27 | 322600194/0 | 2 | Prot. Ruote | Protection, Wheel | Protection Roue | Schütz, Räder | |
| 31 | 381302831/0 | 1 | Asse Ruote Posteriori | Axle, Rear Wheels | Axe Roues Arriere | Achse, Hinterrad | |
| 32 | 122450460/0 | 1 | Molla | Spring | Ressort | Feder | |
| 33 | 112728697/0 | 4 | Vite | Screw | Vis | Schraube | |

7F)'('K!7G)'('K'

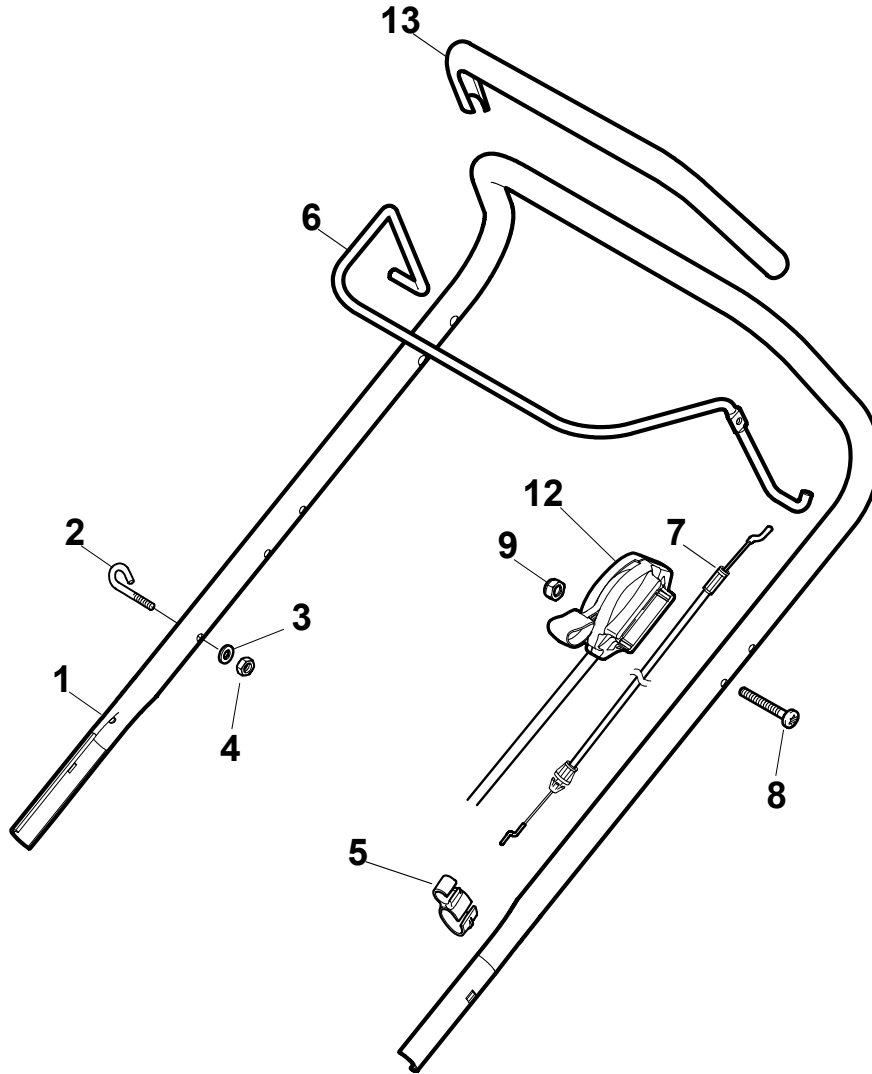


| N. CODE | Q.TY | DESCRIZIONE | DESCRIPTION | DESCRIPTION | BESCHREIBUNG | REMARK | |
|---------|-------------|-------------|-------------|-------------|--------------|----------|--|
| 34 | 22545152/0 | 2 | Piastrina | Plate | Plaquette | Platte | |
| 35 | 112728697/0 | 4 | Vite | Screw | Vis | Schraube | |
| 36 | 322785304/0 | 2 | Supporto | Support | Support | Halter | |
| 40 | 122446192/0 | 1 | Molla | Spring | Ressort | Feder | |

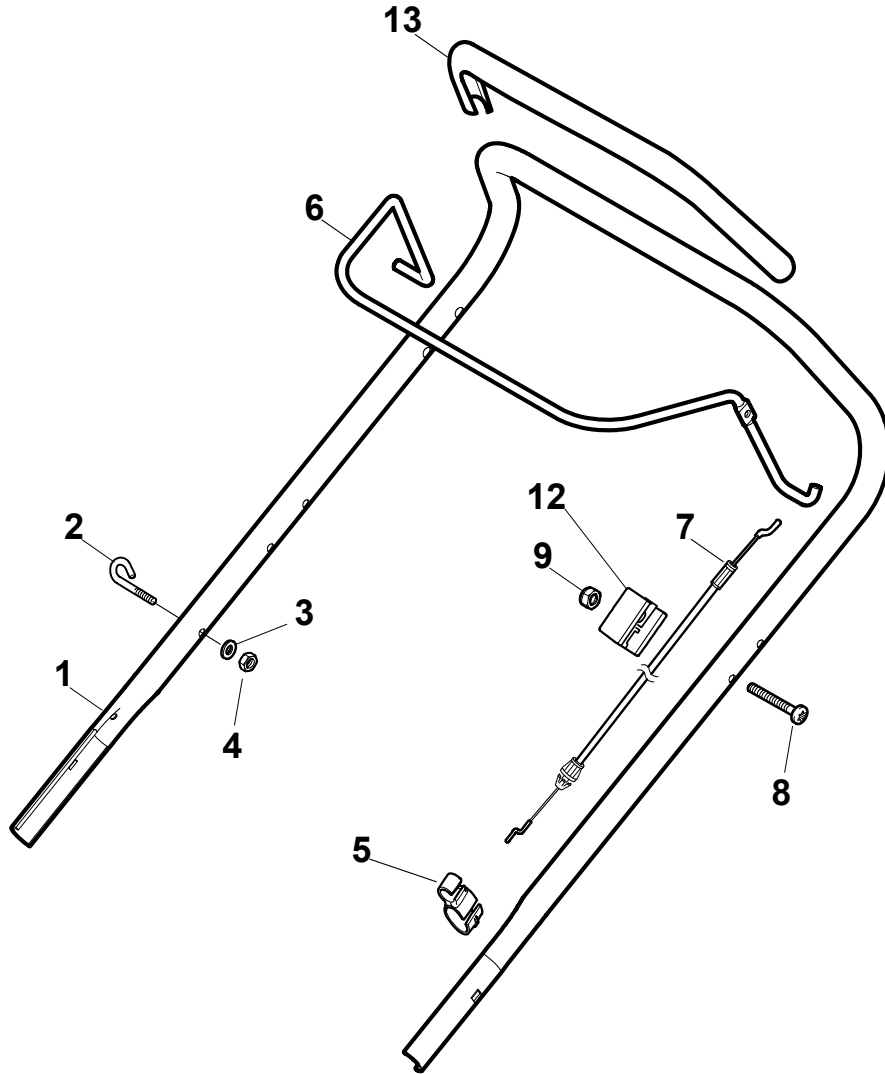
7F)'('K!7G)'('K'



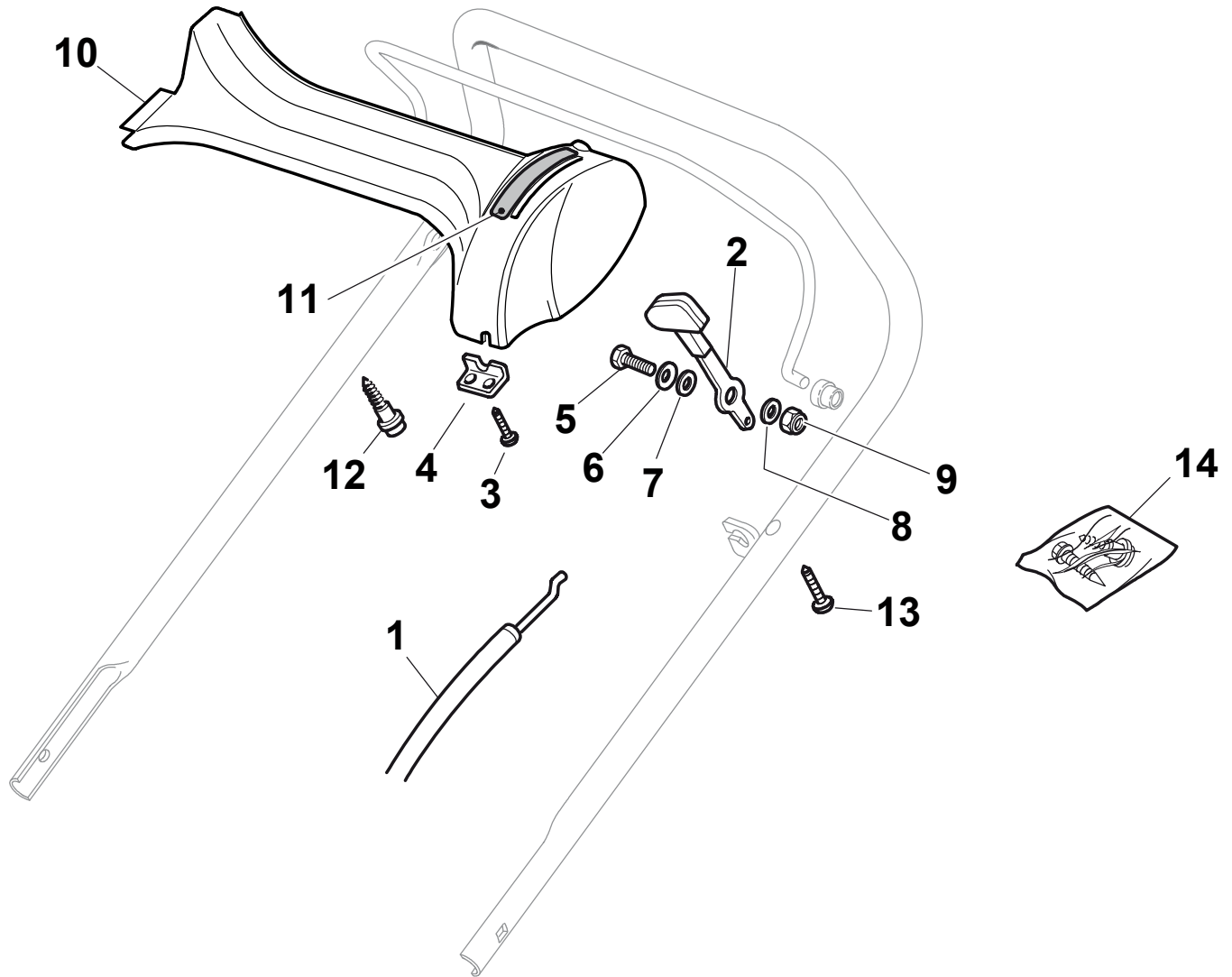
| N. | CODE | Q.TY | DESCRIZIONE | DESCRIPTION | DESCRIPTION | BESCHREIBUNG | REMARK |
|----|-------------|------|-------------------|--------------------|------------------------------|--------------------|--------|
| 1 | 381007043/0 | 1 | Manico, Parte Inf | Handle, Lower Part | Mancheron, Partie Inferieure | Holm, Unterteil | |
| 2 | 381005149/0 | 1 | Staffa Dx | Bracket, R | Bride D | Pratze, Rechte | |
| 3 | 381005151/0 | 1 | Staffa Sx | Bracket, L | Bride G | Pratze, Linke | |
| 4 | 12819120/0 | 4 | Vite | Screw | Vis | Schraube | |
| 5 | 22680006/1 | 4 | Rosetta | Washer | Rondelle | Scheibe | |
| 6 | 322399804/1 | 4 | Manopolina | Knob | Poignée | Griff | |
| 7 | 12293200/0 | 4 | Dado | Nut | Ecrou | Mutter | |
| 10 | 12760605/0 | 3 | Vite | Screw | Vis | Schraube | |
| 11 | 12521350/0 | 2 | Rosetta | Washer | Rondelle | Scheibe | |
| 12 | 12155000/0 | 2 | Dado | Nut | Ecrou | Mutter | |
| 13 | 322192156/0 | 1 | Fascetta | Fair Led | Fixation De Cable | Kabelbefestigung | |
| 14 | 12523040/0 | 1 | Rosetta | Washer | Rondelle | Scheibe | |
| 15 | 12154510/0 | 1 | Dado | Nut | Ecrou | Mutter | |
| 16 | 12369500/0 | 2 | Rosetta Elastica | Elastic Washer | Rondelle Elastique | Elastische Scheibe | |



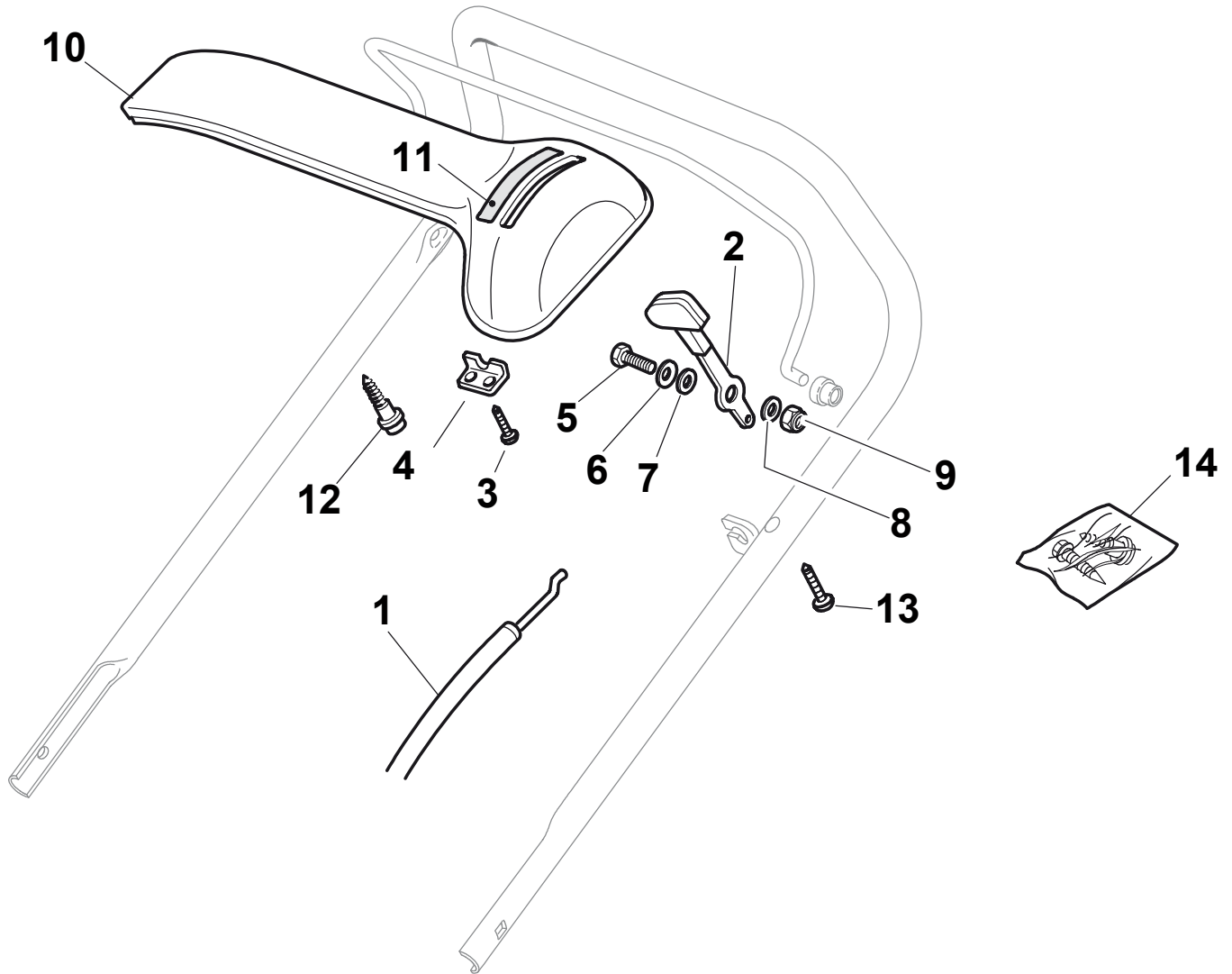
| N. | CODE | Q.TY | DESCRIZIONE | DESCRIPTION | DESCRIPTION | BESCHREIBUNG | REMARK |
|----|-------------|------|--|---|--|----------------------------------|--------------------------------------|
| 1 | 381006739/0 | 1 | Manico, Parte Sup | Handle, Upper Part | Mancheron, Partie Superieure | Holm, Oberteil | |
| 1 | 381006745/0 | 1 | Manico, Parte Sup. con impugnatura in spugna | Handle, Upper Part with sponge handgrip | Mancheron, Partie Superieure avec éponge poignée | Holm, Oberteil Handgriff Schwamm | |
| 2 | 22430313/0 | 1 | Molla Guida | Guide Spring | Ressort De Guide | Feder Führer | |
| 3 | 12521330/0 | 1 | Rosetta | Washer | Rondelle | Scheibe | |
| 4 | 12154510/0 | 1 | Dado | Nut | Ecrou | Mutter | |
| 5 | 118390020/0 | 1 | Fermacavo | Fairlead | Fixation Cable | Kabelbefestigung | |
| 6 | 181003363/1 | 1 | Leva Freno Motore | Lever, Engine Brake | Levier Frein Moteur | Hebel, Motorbremse | Black |
| 6 | 381003365/0 | 1 | Leva Freno Motore | Lever, Engine Brake | Levier Frein Moteur | Hebel, Motorbremse | Yellow |
| 6 | 381003376/0 | 1 | Leva Freno Motore | Lever, Engine Brake | Levier Frein Moteur | Hebel, Motorbremse | Red |
| 7 | 181030053/0 | 1 | Cavo Freno Motore | Cable, Thread Eng. Brake | Cable Frein Moteur | Kabel, Motorbremse | B&S |
| 7 | 181030053/0 | 1 | Cavo Freno Motore | Cable, Thread Eng. Brake | Cable Frein Moteur | Kabel, Motorbremse | GGP |
| 7 | 181030070/0 | 1 | Cavo Freno Motore | Cable, Thread Eng. Brake | Cable Frein Moteur | Kabel, Motorbremse | HONDA |
| 8 | 12727783/0 | 1 | Vite | Screw | Vis | Schraube | |
| 9 | 12154510/0 | 1 | Dado | Nut | Ecrou | Mutter | |
| 12 | 181005504/1 | 1 | Cavo Acceleratore | Throttle Cable | Cable, Accelérateur | Gashebel Kabel | GGP 150 cc |
| 12 | 181005511/0 | 1 | Cavo Acceleratore | Throttle Cable | Cable, Accelérateur | Gashebel Kabel | B&S |
| 12 | 181005517/0 | 1 | Cavo Acceleratore | Throttle Cable | Cable, Accelérateur | Gashebel Kabel | GGP |
| 12 | 181005517/0 | 1 | Cavo Acceleratore | Throttle Cable | Cable, Accelérateur | Gashebel Kabel | HONDA |
| 13 | 22291050/0 | 1 | Impugnatura Manico Nera | Handgrip Black | Poignée Noire | Handgriff Schwarz | only for handle part no. 381007508/0 |



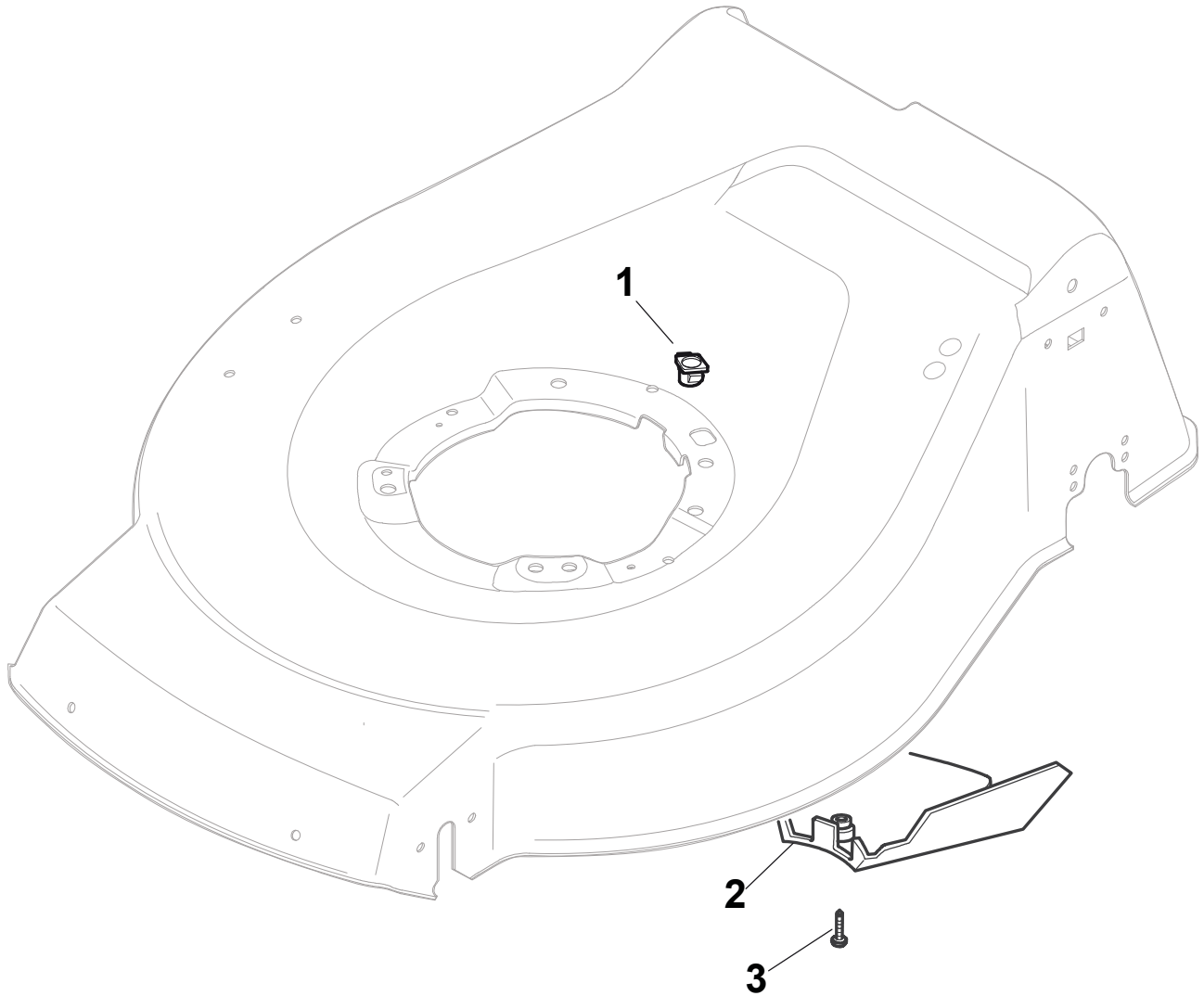
| N. | CODE | Q.TY | DESCRIZIONE | DESCRIPTION | DESCRIPTION | BESCHREIBUNG | REMARK |
|----|-------------|------|--|---|--|----------------------------------|--------------------------------------|
| 1 | 381006739/0 | 1 | Manico, Parte Sup | Handle, Upper Part | Mancheron, Partie Superieure | Holm, Oberteil | |
| 1 | 381006745/0 | 1 | Manico, Parte Sup. con impugnatura in spugna | Handle, Upper Part with sponge handgrip | Mancheron, Partie Superieure avec éponge poignée | Holm, Oberteil Handgriff Schwamm | |
| 2 | 22430313/0 | 1 | Molla Guida | Guide Spring | Ressort De Guide | Feder Führer | |
| 3 | 12521330/0 | 1 | Rosetta | Washer | Rondelle | Scheibe | |
| 4 | 12154510/0 | 1 | Dado | Nut | Ecrou | Mutter | |
| 5 | 118390020/0 | 1 | Fermacavo | Fairlead | Fixation Cable | Kabelbefestigung | |
| 6 | 181003363/1 | 1 | Leva Freno Motore | Lever, Engine Brake | Levier Frein Moteur | Hebel, Motorbremse | Black |
| 6 | 381003365/0 | 1 | Leva Freno Motore | Lever, Engine Brake | Levier Frein Moteur | Hebel, Motorbremse | Yellow |
| 6 | 381003376/0 | 1 | Leva Freno Motore | Lever, Engine Brake | Levier Frein Moteur | Hebel, Motorbremse | Red |
| 7 | 181030053/0 | 1 | Cavo Freno Motore | Cable, Thread Eng. Brake | Cable Frein Moteur | Kabel, Motorbremse | GGP |
| 7 | 181030053/0 | 1 | Cavo Freno Motore | Cable, Thread Eng. Brake | Cable Frein Moteur | Kabel, Motorbremse | B&S |
| 7 | 181030070/0 | 1 | Cavo Freno Motore | Cable, Thread Eng. Brake | Cable Frein Moteur | Kabel, Motorbremse | HONDA |
| 8 | 12727783/0 | 1 | Vite | Screw | Vis | Schraube | |
| 9 | 12154510/0 | 1 | Dado | Nut | Ecrou | Mutter | |
| 12 | 22551640/0 | 1 | Piastrina | Plate | Plaquette | Plättchen | |
| 13 | 22291050/0 | 1 | Impugnatura Manico Nera | Handgrip Black | Poignée Noire | Handgriff Schwarz | only for handle part no. 381007508/0 |



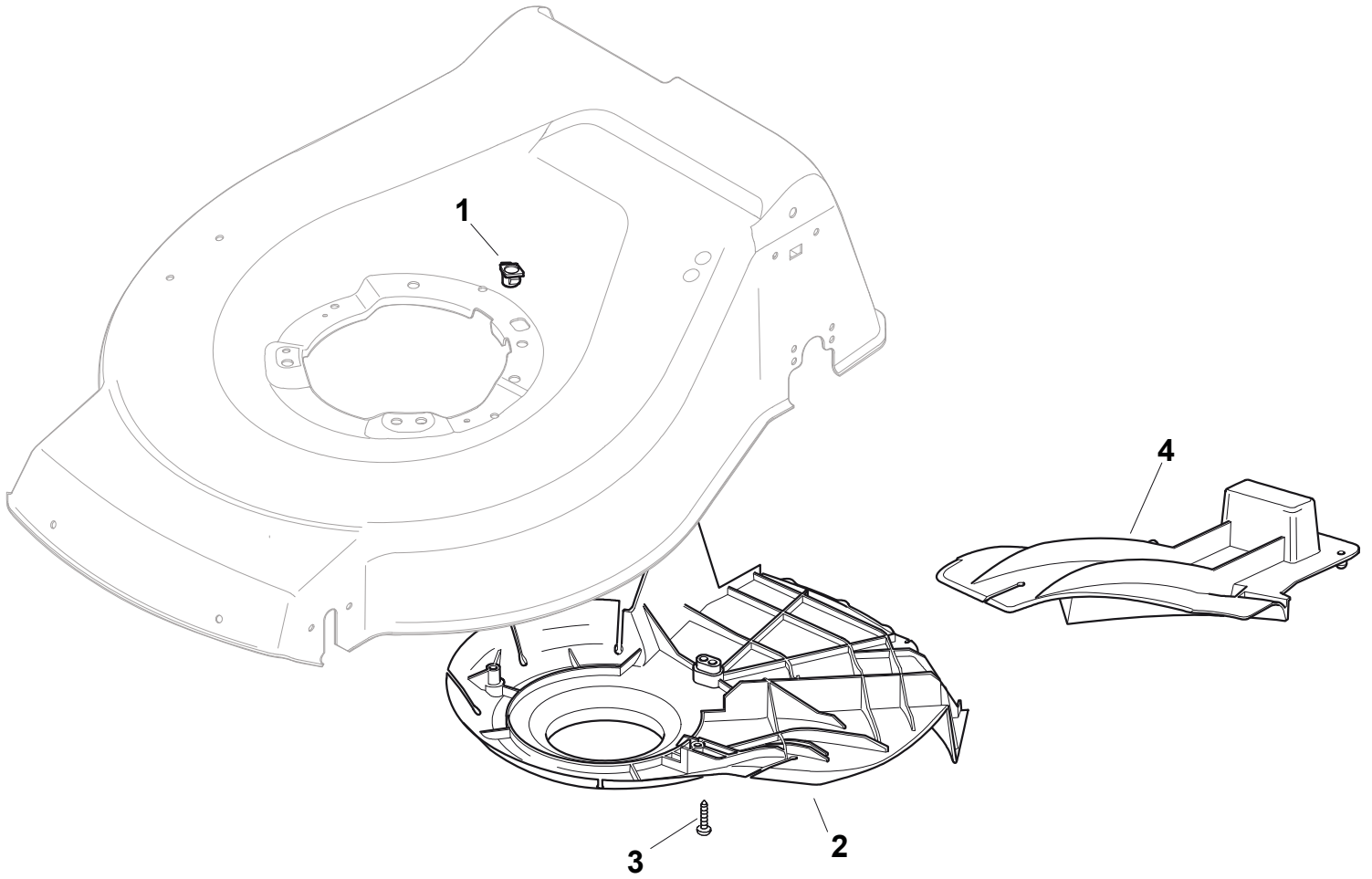
| N. | CODE | Q.TY | DESCRIZIONE | DESCRIPTION | DESCRIPTION | BESCHREIBUNG | REMARK |
|----|-------------|------|-----------------------------|---------------------------|---------------------------|-------------------------|---|
| 1 | 81007160/0 | 1 | Cavo Acceleratore | Throttle Cable | Cable, Accelérateur | Gashebel Kabel | |
| 2 | 81007221/0 | 1 | Leva, Acceleratore | Lever, Throttle | Levier, | Hebel, Beschleuniger | (B&S 450-500 Series - GGP 150 cc) |
| 2 | 81007280/2 | 1 | Leva, Acceleratore | Lever, Throttle | Levier, | Hebel, Beschleuniger | (B&S 625-675-700 Series - Honda - GGP 140-160-196 cc) |
| 3 | 12735105/0 | 2 | Vite | Screw | Vis | Schraube | |
| 4 | 22981467/0 | 1 | Piastrina | Plate | Plaquette | Platte | |
| 5 | 12791500/0 | 1 | Vite | Screw | Vis | Schraube | |
| 6 | 12530060/0 | 1 | Rosetta Elastica | Elastic Washer | Rondelle Elastique | Elastische Scheibe | |
| 7 | 12523040/0 | 1 | Rosetta | Washer | Rondelle | Scheibe | |
| 8 | 12523040/0 | 1 | Rosetta | Washer | Rondelle | Scheibe | |
| 9 | 12154510/0 | 1 | Dado | Nut | Ecrou | Mutter | |
| 10 | 22120172/0 | 1 | Cruscotto Nero | Dash Board Black | Console Noire | Konsole Schwarze | |
| 10 | 22120173/0 | 1 | Cruscotto Rosso | Dash Board Red | Console Rouge | Konsole Rote | |
| 10 | 22120174/0 | 1 | Cruscotto Giallo | Dash Board Yellow | Console Jaune | Konsole Gelbe | |
| 11 | 114356743/1 | 1 | Etichetta | Label | Etiquette | Etikette | (GGP) |
| 11 | 114356743/1 | 1 | Etichetta | Label | Etiquette | Etikette | (Honda) |
| 11 | 114356744/1 | 1 | Etichetta | Label | Etiquette | Etikette | (B&S) |
| 11 | 114356906/1 | 1 | Etichetta | Label | Etiquette | Etikette | (B&S 700 series DOV) |
| 11 | 114357646/1 | 1 | Etichetta | Label | Etiquette | Etikette | (Honda GCV 160-190 Autochoke) |
| 12 | 22943006/0 | 1 | Vite | Screw | Vis | Schraube | |
| 13 | 12728460/0 | 1 | Vite | Screw | Vis | Schraube | |
| 14 | 81008609/0 | 1 | Dotazione Viteria Cruscotto | Outfit, Dash-Board Screws | Dotation Visserie Console | Satz, Konsole Schrauben | |



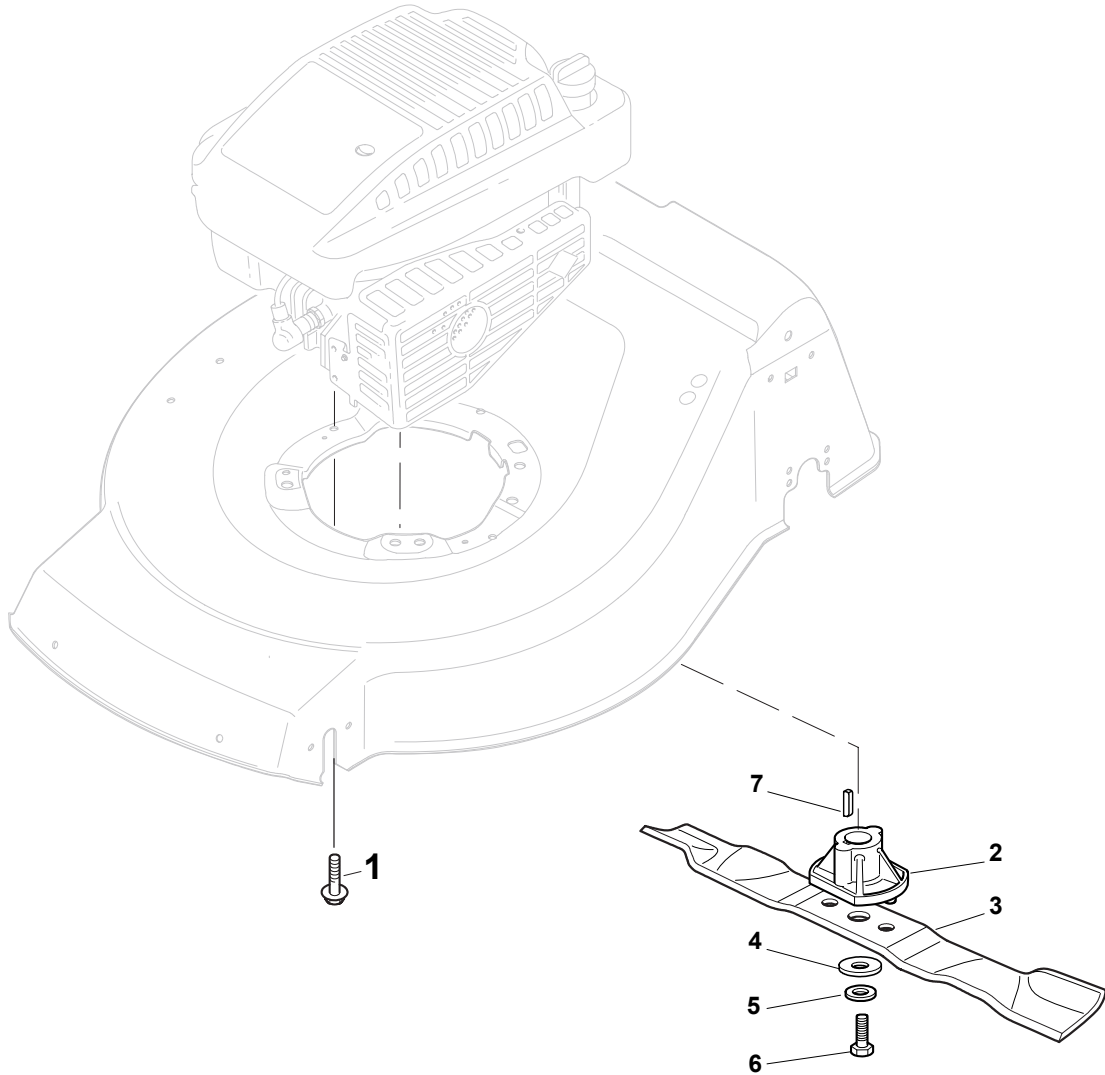
| N. | CODE | Q.TY | DESCRIZIONE | DESCRIPTION | DESCRIPTION | BESCHREIBUNG | REMARK |
|----|-------------|------|-----------------------------|---------------------------|---------------------------|-------------------------|---|
| 1 | 81007160/0 | 1 | Cavo Acceleratore | Throttle Cable | Cable, Accelérateur | Gashebel Kabel | |
| 2 | 81007221/0 | 1 | Leva, Acceleratore | Lever, Throttle | Levier, | Hebel, Beschleuniger | (B&S 450-500 Series - GGP 150 cc) |
| 2 | 81007280/2 | 1 | Leva, Acceleratore | Lever, Throttle | Levier, | Hebel, Beschleuniger | (B&S 625-675-700 Series - Honda - GGP 140-160-196 cc) |
| 3 | 12735105/0 | 2 | Vite | Screw | Vis | Schraube | |
| 4 | 22981467/0 | 1 | Piastrina | Plate | Plaquette | Platte | |
| 5 | 12791500/0 | 1 | Vite | Screw | Vis | Schraube | |
| 6 | 12530060/0 | 1 | Rosetta Elastica | Elastic Washer | Rondelle Elastique | Elastische Scheibe | |
| 7 | 12523040/0 | 1 | Rosetta | Washer | Rondelle | Scheibe | |
| 8 | 12523040/0 | 1 | Rosetta | Washer | Rondelle | Scheibe | |
| 9 | 12154510/0 | 1 | Dado | Nut | Ecrou | Mutter | |
| 10 | 22120152/0 | 1 | Cruscotto Giallo | Dash Board Yellow | Console Jaune | Konsole Gelbe | |
| 10 | 22120154/0 | 1 | Cruscotto Rosso | Dash Board Red | Console Rouge | Konsole Rote | |
| 10 | 22120158/0 | 1 | Cruscotto Nero | Dash Board Black | Console Noire | Konsole Schwarze | |
| 11 | 114356743/1 | 1 | Etichetta | Label | Etiquette | Etikette | (GGP) |
| 11 | 114356743/1 | 1 | Etichetta | Label | Etiquette | Etikette | (Honda) |
| 11 | 114356744/1 | 1 | Etichetta | Label | Etiquette | Etikette | (B&S) |
| 11 | 114356906/1 | 1 | Etichetta | Label | Etiquette | Etikette | (B&S 700 series DOV) |
| 11 | 114357646/1 | 1 | Etichetta | Label | Etiquette | Etikette | (Honda GCV 160-190 Autochoke) |
| 12 | 22943006/0 | 1 | Vite | Screw | Vis | Schraube | |
| 13 | 12728460/0 | 1 | Vite | Screw | Vis | Schraube | |
| 14 | 81008609/0 | 1 | Dotazione Viteria Cruscotto | Outfit, Dash-Board Screws | Dotation Visserie Console | Satz, Konsole Schrauben | |



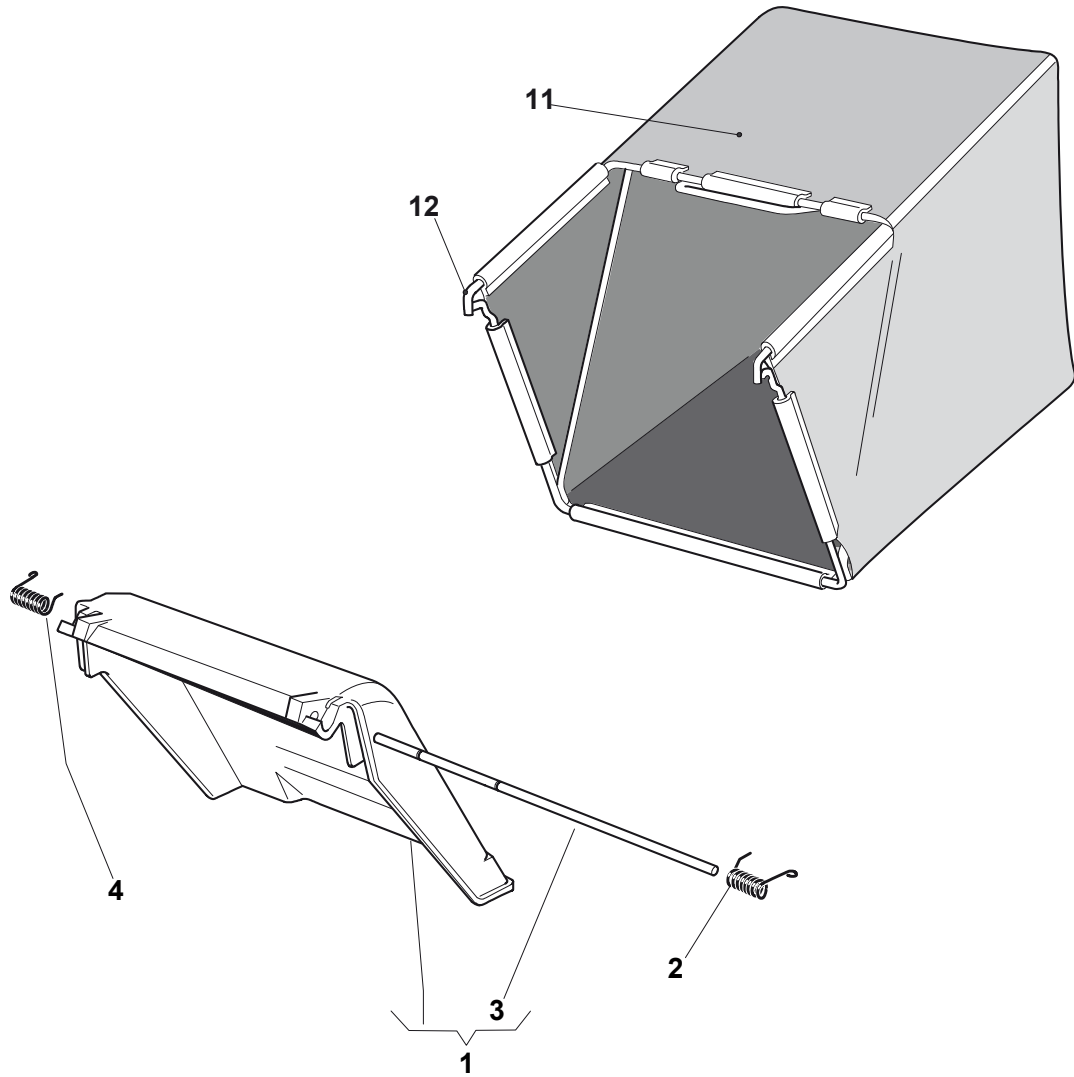
| N. | CODE | Q.TY | DESCRIZIONE | DESCRIPTION | DESCRIPTION | BESCHREIBUNG | REMARK |
|----|------------|------|------------------|------------------|-------------|----------------|--------|
| 1 | 22291150/0 | 1 | Inserto In Gomma | Rubber Insert | Insert De | Gummi Einsatz | |
| 2 | 22060193/0 | 1 | Carter Cinghia | Protection, Belt | Protection | Schutz, Riemen | |
| 3 | 12728530/0 | 1 | Vite | Screw | Vis | Schraube | |



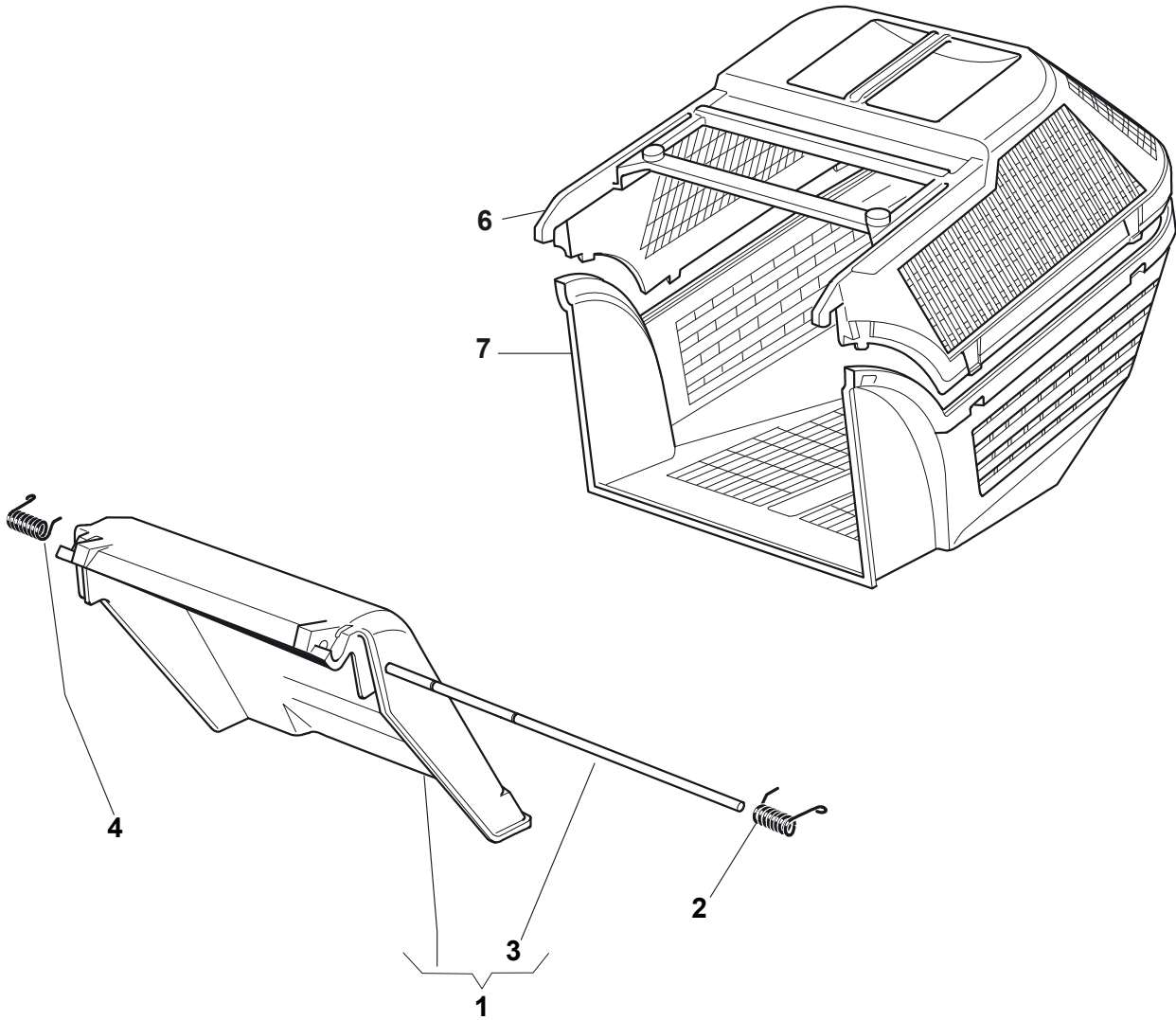
| N. | CODE | Q.TY | DESCRIZIONE | DESCRIPTION | DESCRIPTION | BESCHREIBUNG | REMARK |
|----|-------------|------|------------------|------------------|-------------|----------------|--------------|
| 1 | 22291150/0 | 1 | Inserto In Gomma | Rubber Insert | Insert De | Gummi Einsatz | |
| 2 | 322060197/2 | 1 | Carter Cinghia | Protection, Belt | Protection | Schutz, Riemen | |
| 2 | 322060238/0 | 1 | Carter Cinghia | Protection, Belt | Protection | Schutz, Riemen | only for BBC |
| 3 | 12728530/0 | 3 | Vite | Screw | Vis | Schraube | |
| 4 | 22140222/0 | 1 | Deflettore | Deflector | Deflecteur | Deflektor | |



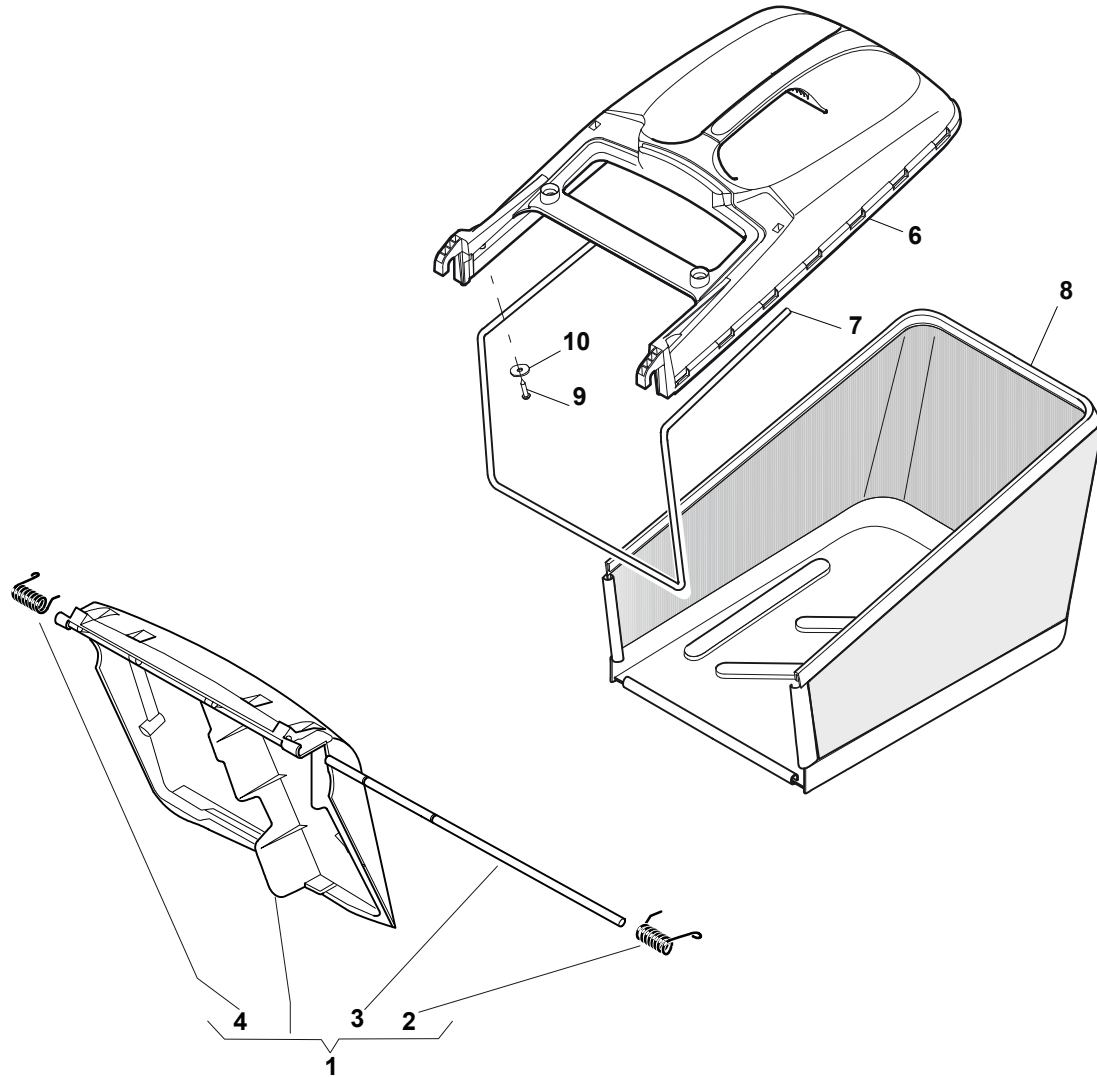
| N. | CODE | Q.TY | DESCRIZIONE | DESCRIPTION | DESCRIPTION | BESCHREIBUNG | REMARK |
|----|-------------|------|---------------------------------|----------------------------|-------------------------------|---------------------------|-------------|
| 1 | 112735108/1 | 2 | Vite | Screw | Vis | Schraube | (GGP 196cc) |
| 1 | 112735108/1 | 3 | Vite | Screw | Vis | Schraube | |
| 1 | 112735109/1 | 1 | Vite | Screw | Vis | Schraube | (GGP 196cc) |
| 2 | 122463020/1 | 1 | Mozzo, Albero Motore Ø 25 | Hub, Crankshaft Ø 25 | Moyeu, Arbre Moteur Ø 25 | Halter, Motorwelle Ø 25 | (Honda) |
| 2 | 22463012/2 | 1 | Mozzo, Albero Motore Ø 22.2 | Hub, Crankshaft Ø 22.2 | Moyeu, Arbre Moteur Ø 22.2 | Halter, Motorwelle Ø 22.2 | (B&S/GGP) |
| 3 | 81004381/1 | 1 | Coltello Standard | Blade Standard | Lame Standard | Messer Standard | |
| 4 | 22160400/0 | 1 | Disco Elastico | Elastic Washer | Rondelle Elastique | Elastischescheibe | |
| 5 | 12523080/0 | 1 | Rosetta | Washer | Rondelle | Scheibe | |
| 6 | 12735698/0 | 1 | Vite | Screw | Vis | Schraube | |
| 7 | 12139100/0 | 1 | Linguetta, Albero Motore Ø 22.2 | Feather, Crankshaft Ø 22.2 | Clavette, Arbre Moteur Ø 22.2 | Keil, Motorwelle Ø 22.2 | |
| 7 | 12139150/0 | 1 | Linguetta, Albero Motore Ø 25 | Feather, Crankshaft Ø 25 | Clavette, Arbre Moteur Ø 25 | Keil, Motorwelle Ø 25 | |



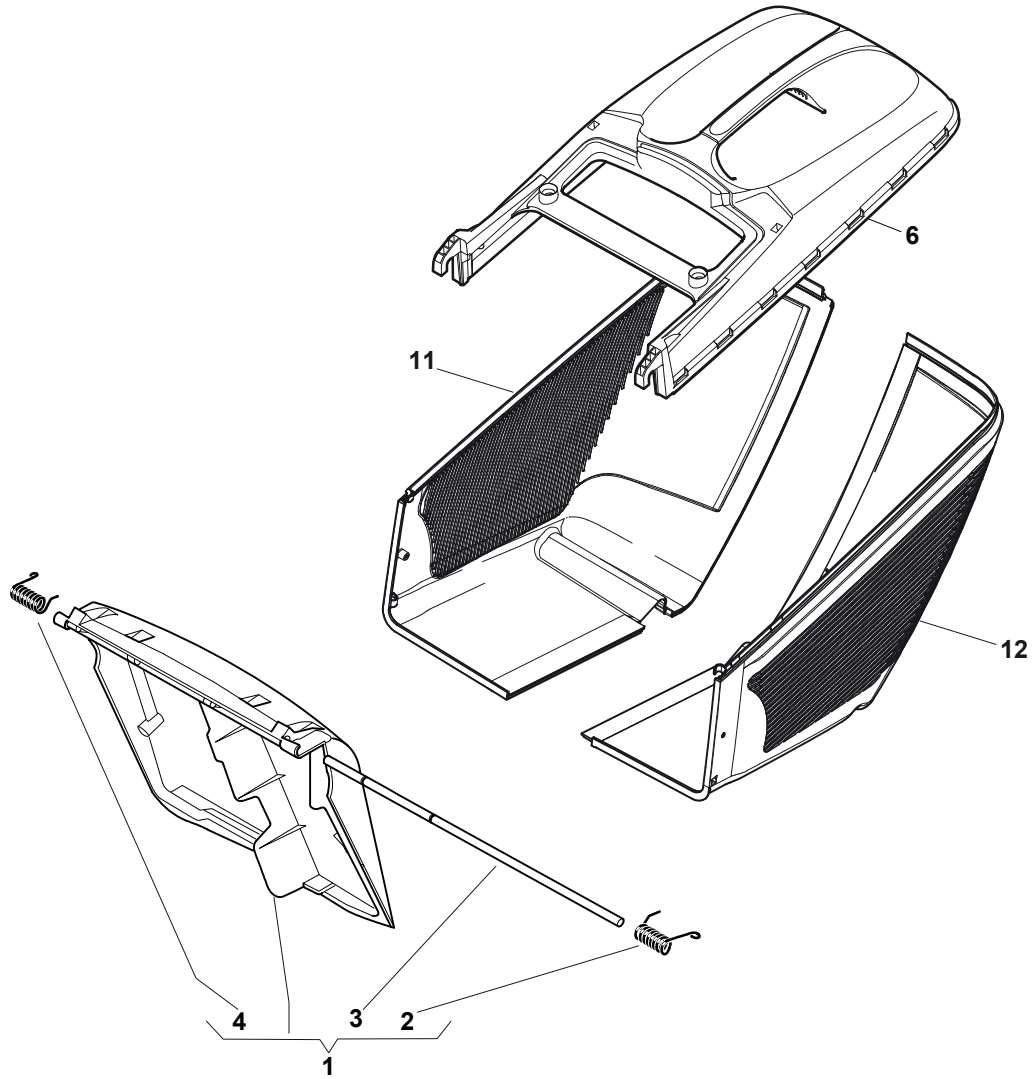
| N. | CODE | Q.TY | DESCRIZIONE | DESCRIPTION | DESCRIPTION | BESCHREIBUNG | REMARK |
|----|-------------|------|------------------|------------------|------------------------|----------------|--------|
| 1 | 381007308/2 | 1 | Parasassi | Stone-Guard | Pare-Pierres | Prallblech | |
| 2 | 122450466/0 | 1 | Molla Sx | L Spring | Ressort G | Linke Feder | |
| 3 | 122517882/0 | 1 | Perno | Pin | Pivot | Bolzen | |
| 4 | 122450465/0 | 1 | Molla Dx | R Spring | Ressort D | Rechte Feder | |
| 6 | 322486073/1 | 1 | Sacco, Parte Sup | Grass-Box, Upper | Sac, Partie Superieure | Korb, Oberteil | |
| 11 | 81002105/2 | 1 | Sacco, Tela | Box, Fabric | Sac, Toile | Sack, Tuck | |
| 12 | 81006418/0 | 1 | Telaio Sacco | Chassis Box | Châssis Bac | Rahmen Sack | |



| N. | CODE | Q.TY | DESCRIZIONE | DESCRIPTION | DESCRIPTION | BESCHREIBUNG | REMARK |
|----|-------------|------|------------------|------------------|------------------------|-----------------|--------|
| 1 | 381007308/2 | 1 | Parasassi | Stone-Guard | Pare-Pierres | Prallblech | |
| 2 | 122450466/0 | 1 | Molla Sx | L Spring | Ressort G | Linke Feder | |
| 3 | 122517882/0 | 1 | Perno | Pin | Pivot | Bolzen | |
| 4 | 122450465/0 | 1 | Molla Dx | R Spring | Ressort D | Rechte Feder | |
| 6 | 322486073/1 | 1 | Sacco, Parte Sup | Grass-Box, Upper | Sac, Partie Superieure | Korb, Oberteil | |
| 7 | 22486074/0 | 1 | Sacco, Parte Inf | Grass-Box, Lower | Sac, Partie Inferieure | Korb, Unterteil | |



| N. | CODE | Q.TY | DESCRIZIONE | DESCRIPTION | DESCRIPTION | BESCHREIBUNG | REMARK |
|----|-------------|------|------------------|------------------|-------------------|----------------|--------|
| 1 | 381008081/0 | 1 | Parasassi | Stone-Guard | Pare-Pierres | Prallblech | |
| 2 | 122450466/0 | 1 | Molla Sx | L Spring | Ressort G | Linke Feder | |
| 3 | 122517882/0 | 1 | Perno | Pin | Pivot | Bolzen | |
| 4 | 122450465/0 | 1 | Molla Dx | R Spring | Ressort D | Rechte Feder | |
| 6 | 22486101/0 | 1 | Sacco, Parte Sup | Grass-Box, Upper | Sac, Partie | Korb, Oberteil | |
| 7 | 22608525/0 | 1 | Rinforzo Inf | Stiffening Lower | Réinforcement Inf | Verstärkung | |
| 8 | 81002211/0 | 1 | Sacco, Tela | Box, Fabric | Sac, Toile | Sack, Tuck | |
| 9 | 12728680/0 | 2 | Vite | Screw | Vis | Schraube | |
| 10 | 12523050/0 | 2 | Rosetta | Washer | Rondelle | Scheibe | |



| N. | CODE | Q.TY | DESCRIZIONE | DESCRIPTION | DESCRIPTION | BESCHREIBUNG | REMARK |
|----|-------------|------|---------------------|--------------------|--------------------------|-------------------|--------|
| 1 | 381008081/1 | 1 | Parasassi | Stone-Guard | Pare-Pierres | Prallblech | |
| 2 | 122450466/0 | 1 | Molla Sx | L Spring | Ressort G | Linke Feder | |
| 3 | 122517882/0 | 1 | Perno | Pin | Pivot | Bolzen | |
| 4 | 122450465/0 | 1 | Molla Dx | R Spring | Ressort D | Rechte Feder | |
| 6 | 22486101/0 | 1 | Sacco, Parte Sup | Grass-Box, Upper | Sac, Partie | Korb, Oberteil | |
| 11 | 322486150/1 | 1 | Sacco, Parte Inf Dx | Grass-Box, R Lower | Sac, Partie Inferieure D | Korb, R Unterteil | |
| 12 | 322486151/1 | 1 | Sacco, Parte Inf Sx | Grass-Box, L Lower | Sac, Partie Inferieure G | Korb, L Unterteil | |