

# Genuine Spare Parts

## CR480W - CS480W

Catalogo delle parti di ricambio  
Spare parts catalogue  
Catalogue des pieces de rechange  
Ersatzteilkatalog

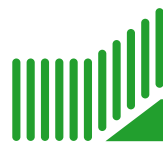
# 2011

- Use GLOBAL GARDEN PRODUCT Genuine Spare Parts specified in the parts list for repair and/or replacement.
- The contents described in the parts list may change due to improvement.
- The drawings of the spare parts are only indicative and might not represent the part in question exactly.
- The indications "right" - "left" - "front" - "rear" refer to the position of the operator when using the machine.
- When placing orders of parts for repair and/or replacement, make sure that the illustrated parts list is the one applying to the machine's year of manufacture, as shown on the identification plate attached to the machine.

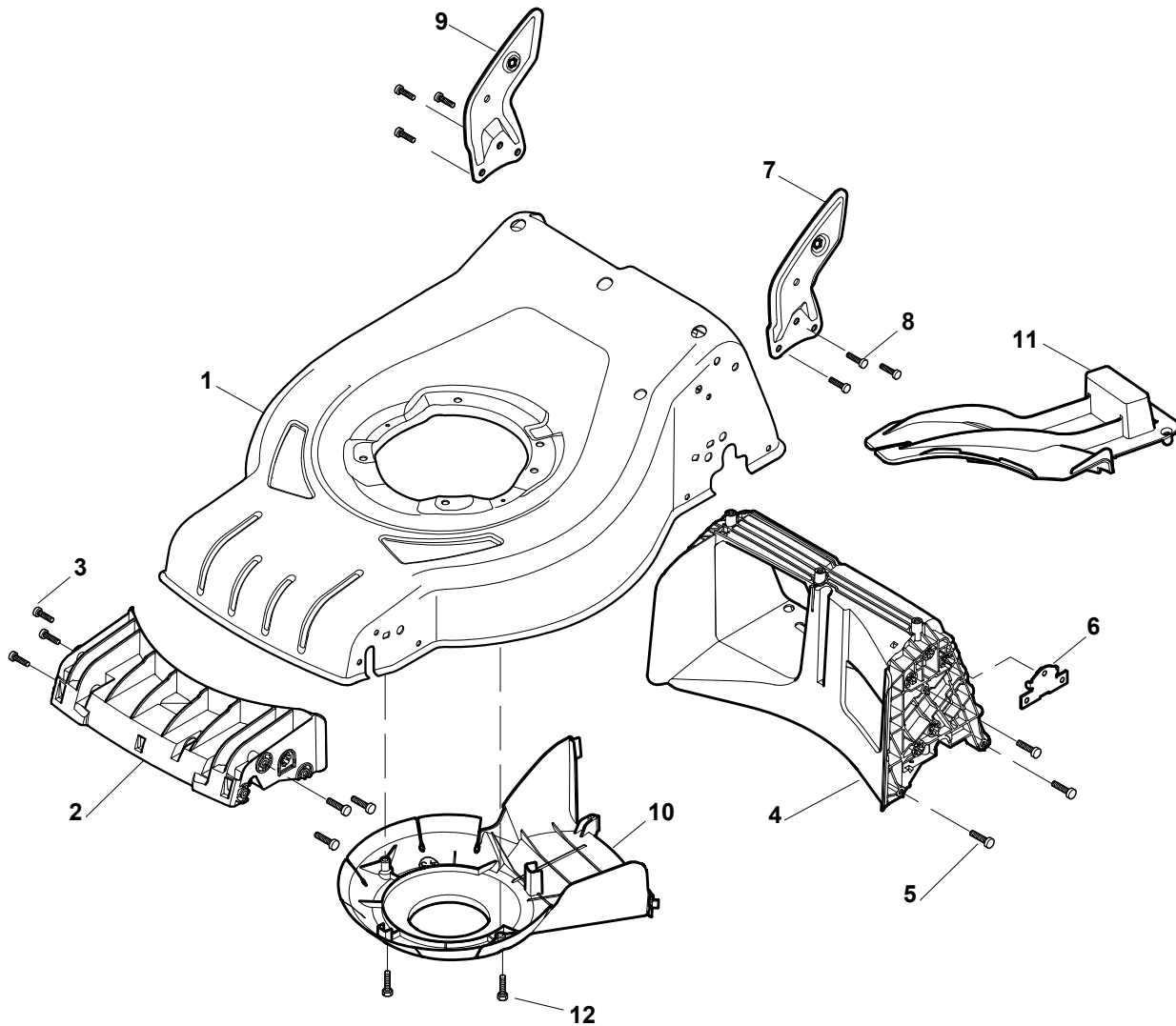
© Copyright 2011 Global Garden Products

All content is subject to copyright by Global Garden Products and may not be reproduced in whole or in part by any means, electronic or otherwise, without prior written approval.

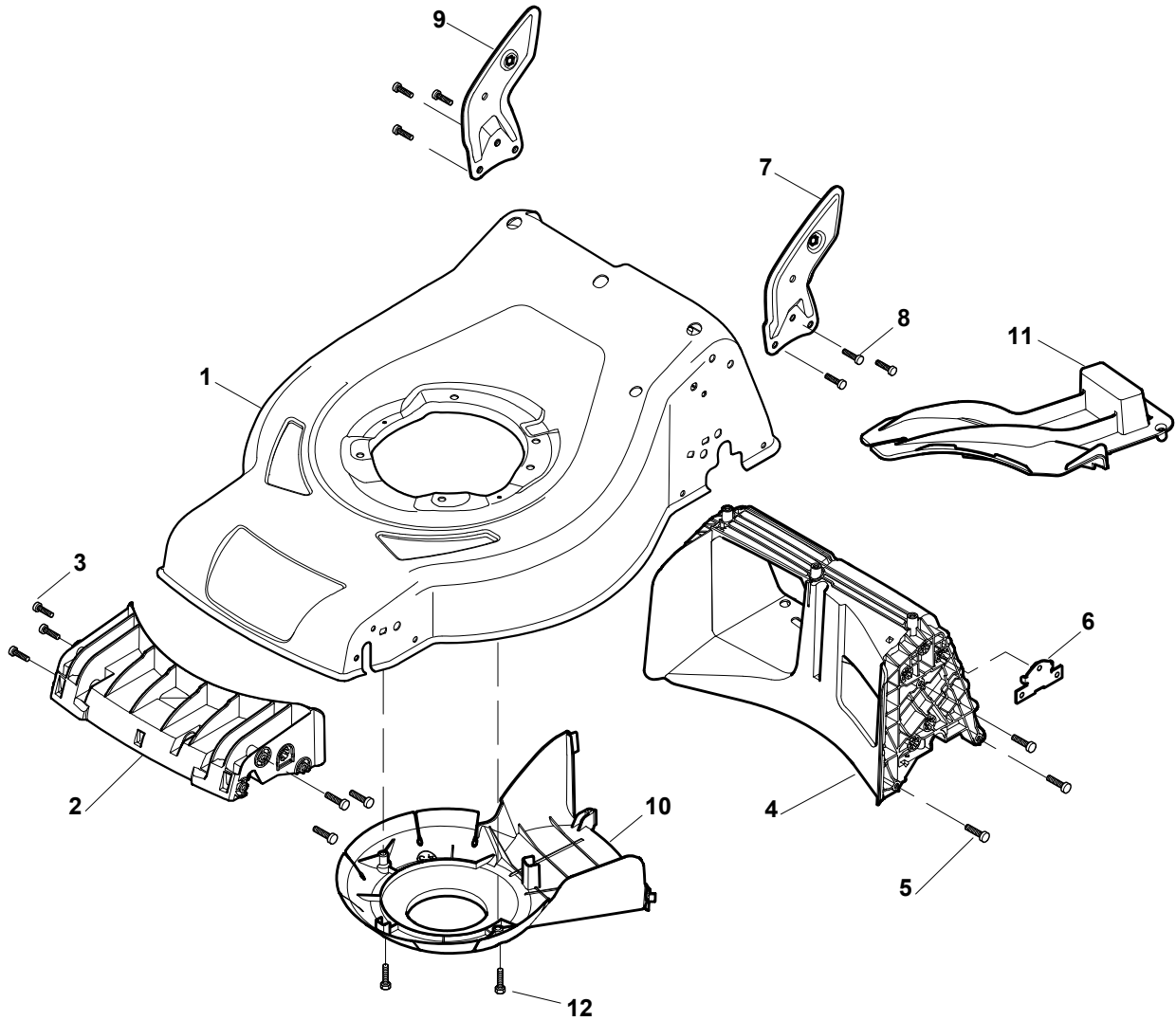
THIS INFORMATION IS NOT INTENDED FOR SALE OR RESALE, AND THIS NOTICE MUST REMAIN ON ALL COPIES.



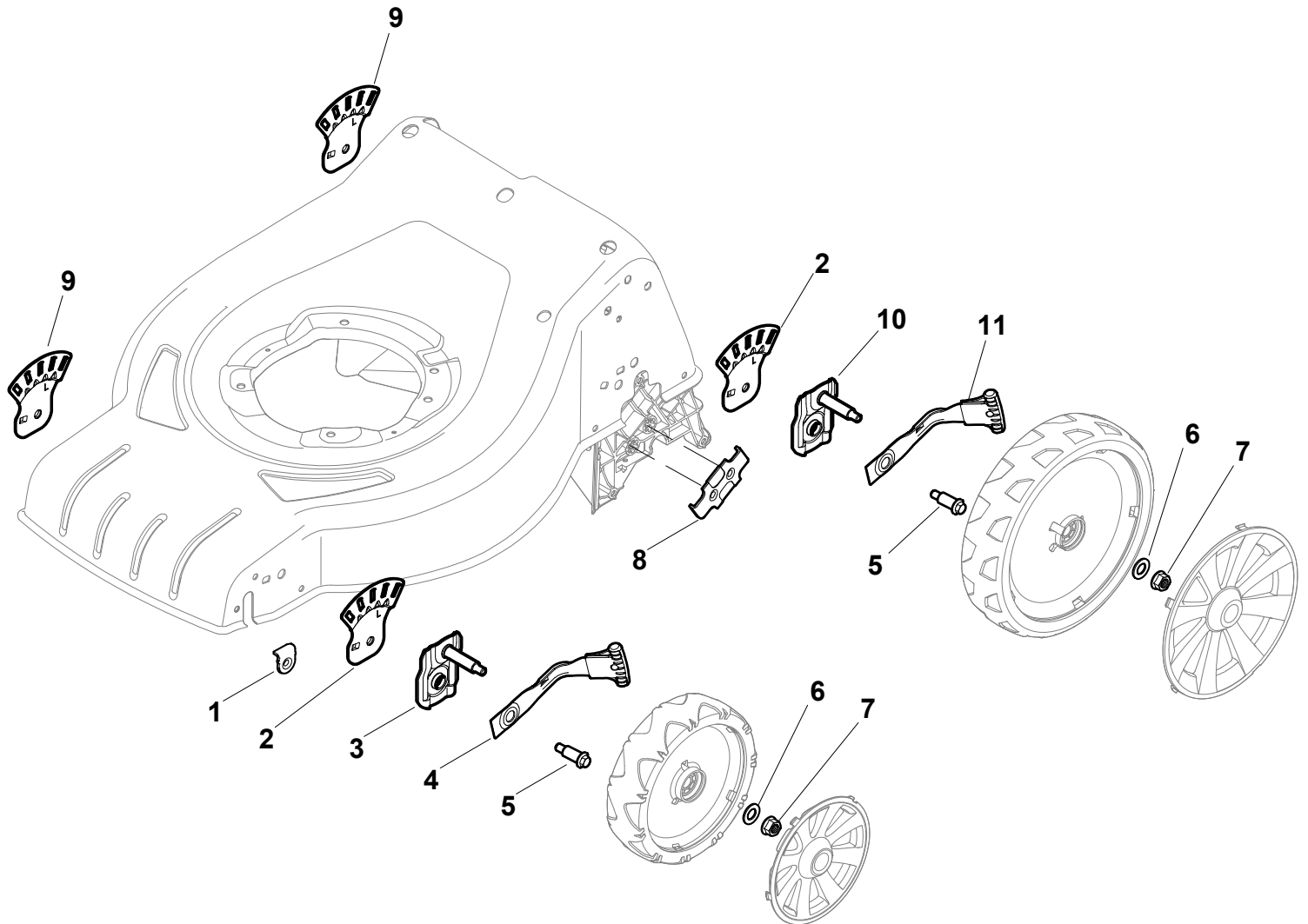
GLOBAL GARDEN PRODUCTS



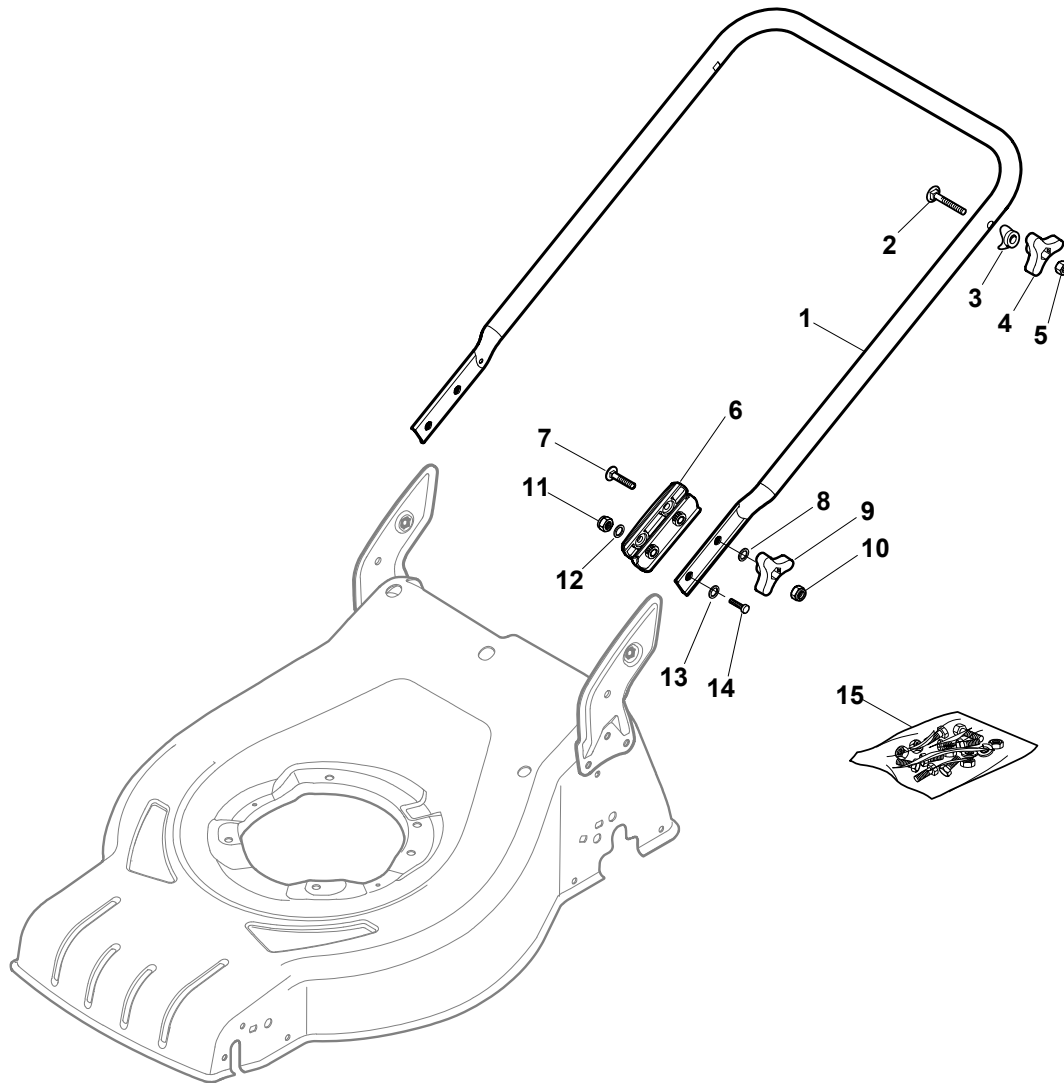
N.	CODE	Q.TY	DESCRIZIONE	DESCRIPTION	DESCRIPTION	BESCHREIBUNG	REMARK
1	381004018/0	1	Chassis Rosso	Deck Red	Châssis Rouge	Gehäuse Rot	
1	381004018/0	1	Chassis Rosso	Deck Red	Châssis Rouge	Gehäuse Rot	
1	381004024/0	1	Chassis Nero	Deck Black	Châssis Noir	Gehäuse Schwarz	
1	381004024/0	1	Chassis Nero	Deck Black	Châssis Noir	Gehäuse Schwarz	
2	322108301/0	1	Convogl. Anteriore	Front Conveyor Assy	Ens. Convoyeur Avant	Hinterleitblechvorder	
3	112728699/0	6	Vite	Screw	Vis	Schraube	
4	322108302/0	1	Convogl. Posteriore	Rear Conveyor Assy	Ens. Convoyeur Post.	Hinterleitblechsatz	
5	112728699/0	6	Vite	Screw	Vis	Schraube	
6	322545213/0	2	Piastrina	Plate	Plaquette	Platte	
7	381005139/0	1	Staffa Sx	Bracket, L	Bride G	Pratze, Linke	
8	112727801/0	6	Vite	Screw	Vis	Schraube	
9	381005137/0	1	Staffa Dx	Bracket, R	Bride D	Pratze, Rechte	
10	322060242/0	1	Carter Cinghia	Protection, Belt	Protection Courroire	Schutz, Riemen	
11	322140239/0	1	Deflettore	Deflector	Deflecteur	Deflektor	
12	12728530/0	2	Vite	Screw	Vis	Schraube	



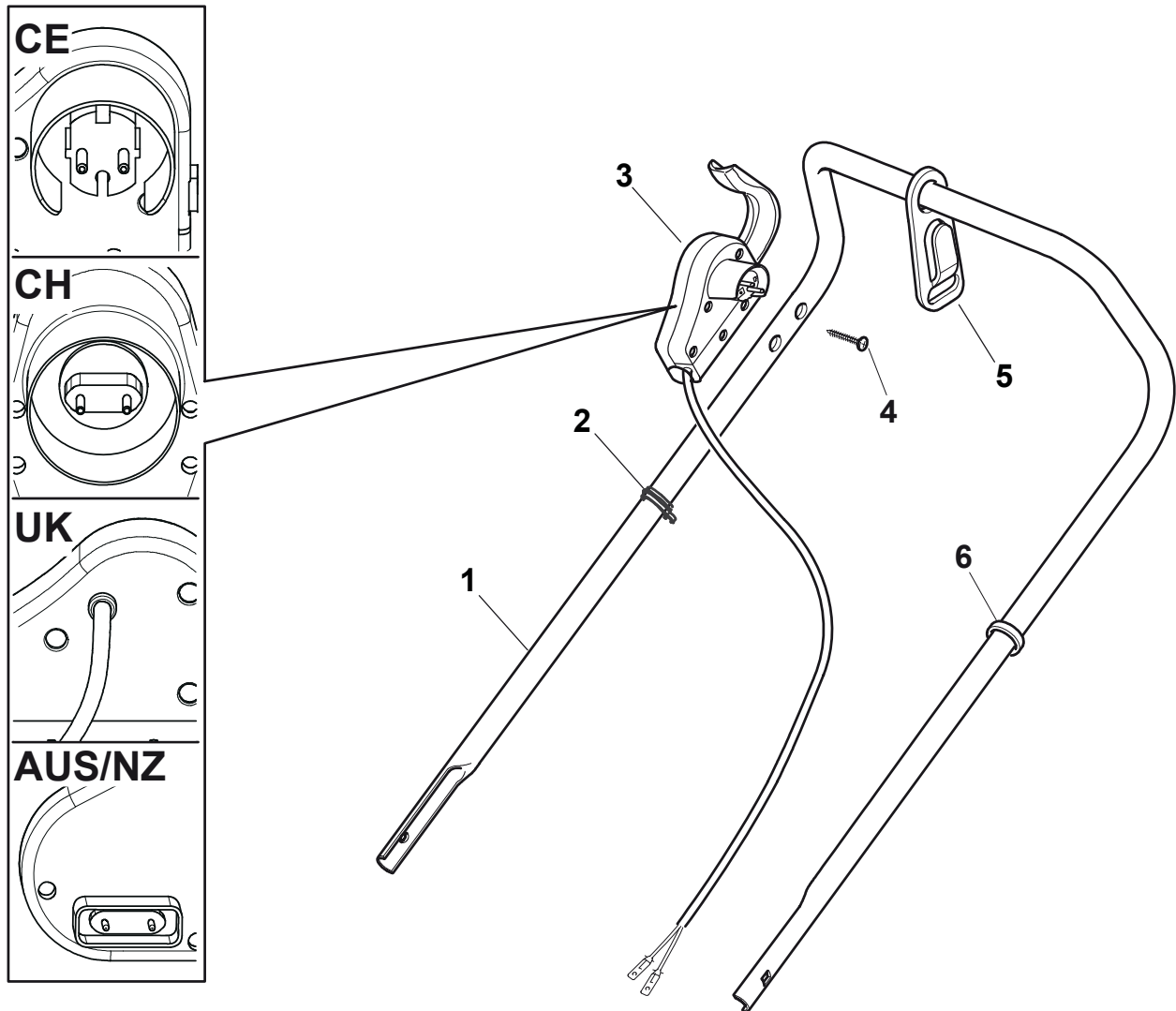
N.	CODE	Q.TY	DESCRIZIONE	DESCRIPTION	DESCRIPTION	BESCHREIBUNG	REMARK
1	381004020/0	1	Chassis Rosso	Deck Red	Châssis Rouge	Gehäuse Rot	
1	381004020/0	1	Chassis Rosso	Deck Red	Châssis Rouge	Gehäuse Rot	
1	381004051/0	1	Chassis Nero	Deck Black	Châssis Noir	Gehäuse Schwarz	
1	381004051/0	1	Chassis Nero	Deck Black	Châssis Noir	Gehäuse Schwarz	
2	322108301/0	1	Convogl. Anteriore	Front Conveyor Assy	Ens. Convoyeur Avant	Hinterleitblechvorder	
3	112728699/0	6	Vite	Screw	Vis	Schraube	
4	322108302/0	1	Convogl. Posteriore	Rear Conveyor Assy	Ens. Convoyeur Post.	Hinterleitblechsatz	
5	112728699/0	6	Vite	Screw	Vis	Schraube	
6	322545213/0	2	Piastrina	Plate	Plaquette	Platte	
7	381005139/0	1	Staffa Sx	Bracket, L	Bride G	Pratze, Linke	
8	112727801/0	6	Vite	Screw	Vis	Schraube	
9	381005137/0	1	Staffa Dx	Bracket, R	Bride D	Pratze, Rechte	
10	322060242/0	1	Carter Cinghia	Protection, Belt	Protection Courroire	Schutz, Riemen	
11	322140239/0	1	Deflettore	Deflector	Deflecteur	Deflektor	
12	12728530/0	2	Vite	Screw	Vis	Schraube	



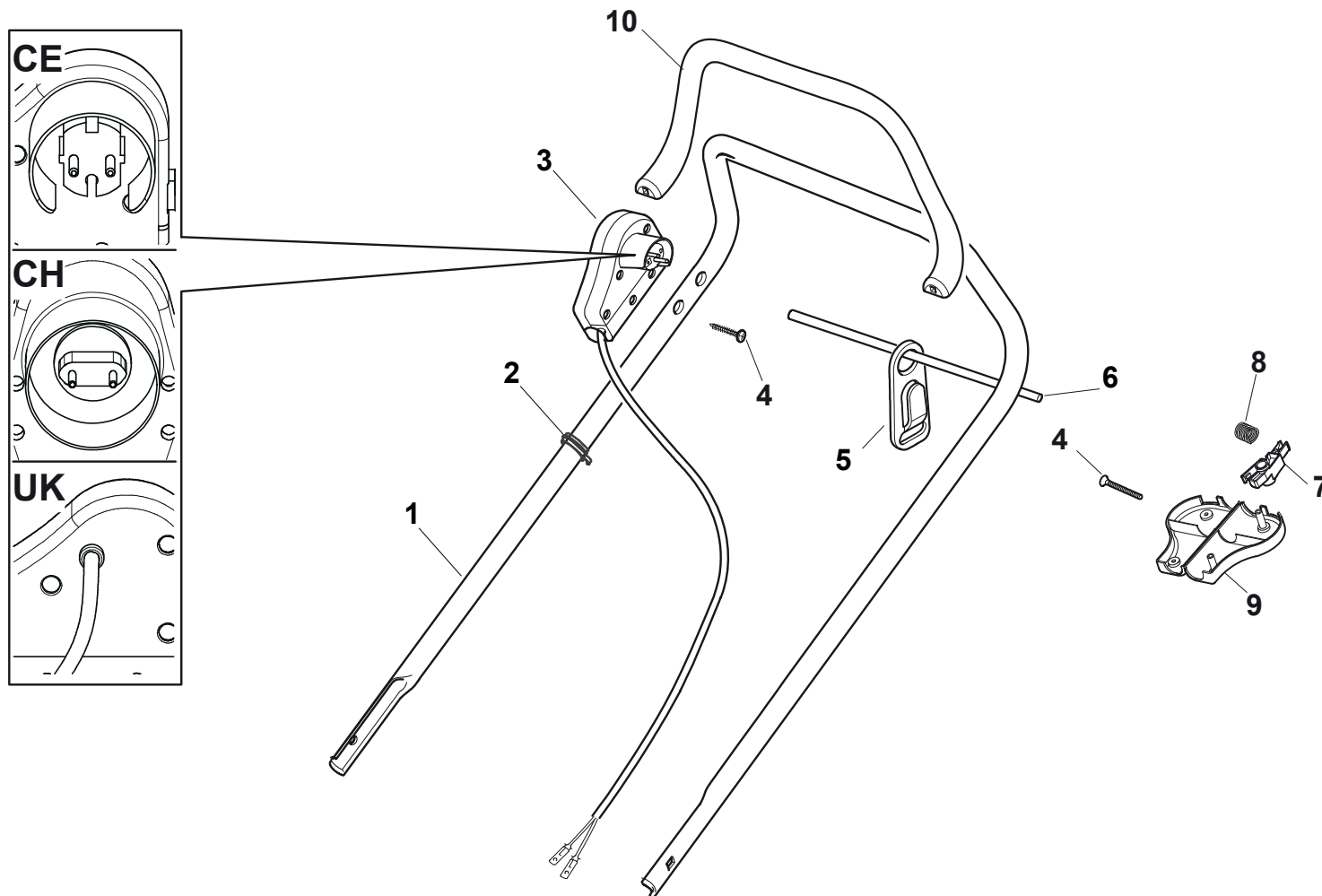
N.	CODE	Q.TY	DESCRIZIONE	DESCRIPTION	DESCRIPTION	BESCHREIBUNG	REMARK
1	322545189/0	2	Piastrina	Plate	Plaquette	Plättchen	
2	322735597/0	2	Settore Di Regolazione	Sector, Height Adjustment	Secteur Reglage	Sektor, Höheverstellung	
3	381005141/0	2	Supporto Ruota	Support, Wheel	Support Roue	Halter, Rad	
4	381003354/0	2	Leva Regolazione Altezza	Lever, Height Adjustment	Levier, Reglage Hauteur	Hebel, Höheverstellung	
5	22519811/0	4	Perno	Pin	Pivot	Bolzen	
6	12521350/0	4	Rosetta	Washer	Rondelle	Scheibe	
7	12155000/0	4	Dado	Nut	Ecrou	Mutter	
8	322545211/0	2	Piastrina	Plate	Plaquette	Plättchen	
9	322735595/0	2	Settore Di Regolazione	Sector, Height Adjustment	Secteur Reglage	Sektor, Höheverstellung	
10	381005143/0	2	Supporto Ruota	Support, Wheel	Support Roue	Halter, Rad	
11	381003357/0	2	Leva Regolazione Altezza	Lever, Height Adjustment	Levier, Reglage Hauteur	Hebel, Höheverstellung	



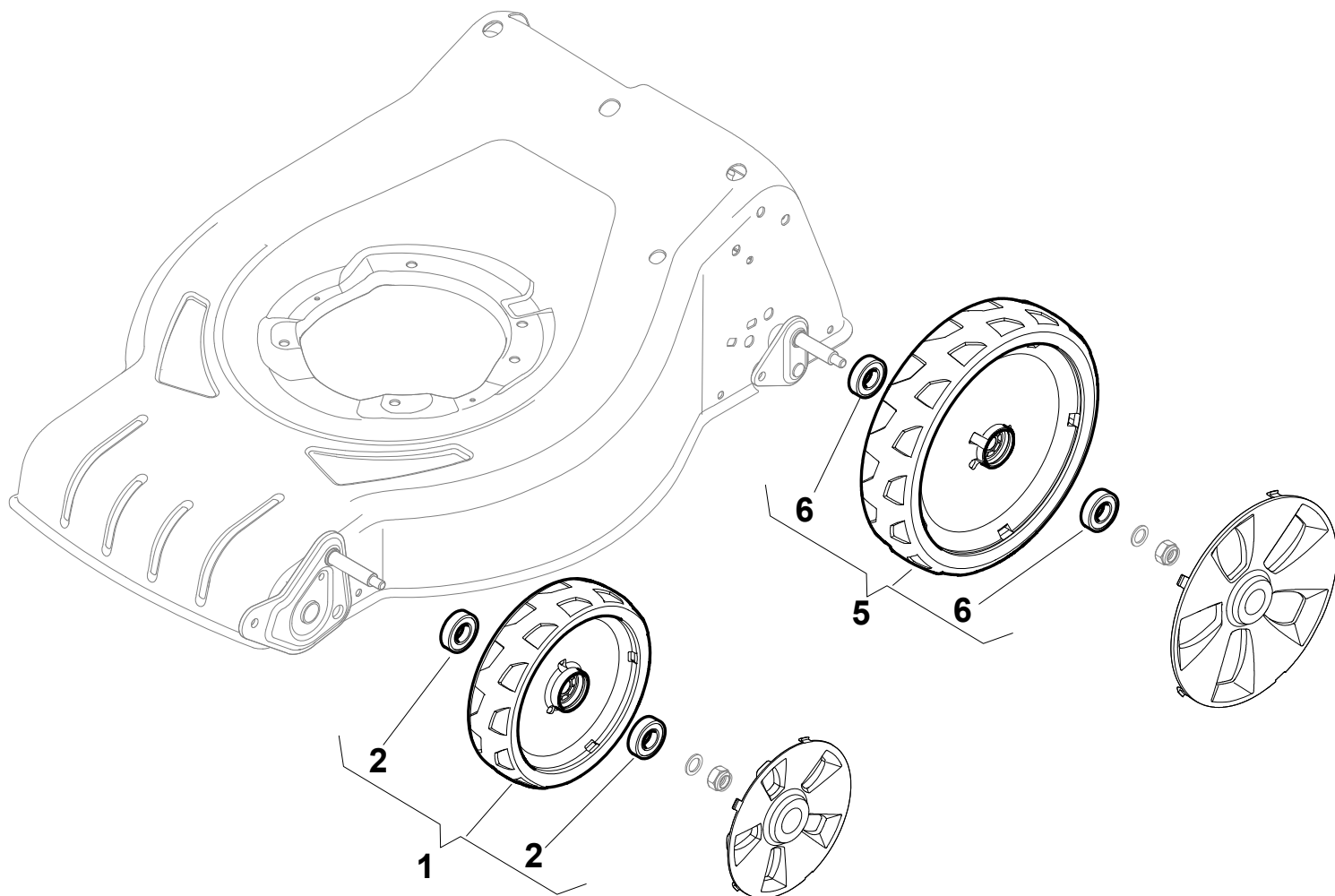
N.	CODE	Q.TY	DESCRIZIONE	DESCRIPTION	DESCRIPTION	BESCHREIBUNG	REMARK
1	381006735/0	1	Manico, Parte Inf	Handle, Lower Part	Mancheron, Partie Inferieure	Holm, Unterteil	
2	12819120/0	2	Vite	Screw	Vis	Schraube	
3	22680006/1	2	Rosetta	Washer	Rondelle	Scheibe	
4	22399900/0	2	Manopolina	Knob	Poignée	Griff	
5	12293200/0	2	Dado	Nut	Ecrou	Mutter	
6	322551582/0	2	Piastrina Isolamento	Plate	Plaquette	Platte	
7	12819110/0	2	Vite	Screw	Vis	Schraube	
8	12523060/0	2	Rosetta	Washer	Rondelle	Scheibe	
9	22399900/0	2	Manopolina	Knob	Poignée	Griff	
10	12293200/0	2	Dado	Nut	Ecrou	Mutter	
11	12155000/0	2	Dado	Nut	Ecrou	Mutter	
12	12521350/0	2	Rosetta	Washer	Rondelle	Scheibe	
13	12521350/0	2	Rosetta	Washer	Rondelle	Scheibe	
14	12793701/0	2	Vite	Screw	Vis	Schraube	
15	381008689/0	1	Dotazione Viteria	Outfit, Screws	Dotation Visserie	Satz, Schrauben	



N.	CODE	Q.TY	DESCRIZIONE	DESCRIPTION	DESCRIPTION	BESCHREIBUNG	REMARK
1	81007017/2	1	Manico, Parte Sup	Handle, Upper Part	Mancheron, Partie Superieure	Holm, Oberteil	
2	22192000/1	2	Fascetta	Anchor Clamp	Collier Ancrage	Bowdenzughalter	
3	18710628/0	1	Salvatore	Dead Hand Switch	Int. Main Morte	Tot Manschalter	AUS/NZ
3	81600500/1	1	Salvatore	Dead Hand Switch	Int. Main Morte	Tot Manschalter	CE
3	81600501/1	1	Salvatore	Dead Hand Switch	Int. Main Morte	Tot Manschalter	CH
3	81600502/1	1	Salvatore	Dead Hand Switch	Int. Main Morte	Tot Manschalter	UK
4	12728701/0	2	Vite	Screw	Vis	Schraube	
5	22195101/4	1	Fermacavo	Fairlead	Fixation Cable	Kabelbefestigung	
6	22192151/0	1	Fermacavo	Fairlead	Fixation Cable	Kabelbefestigung	

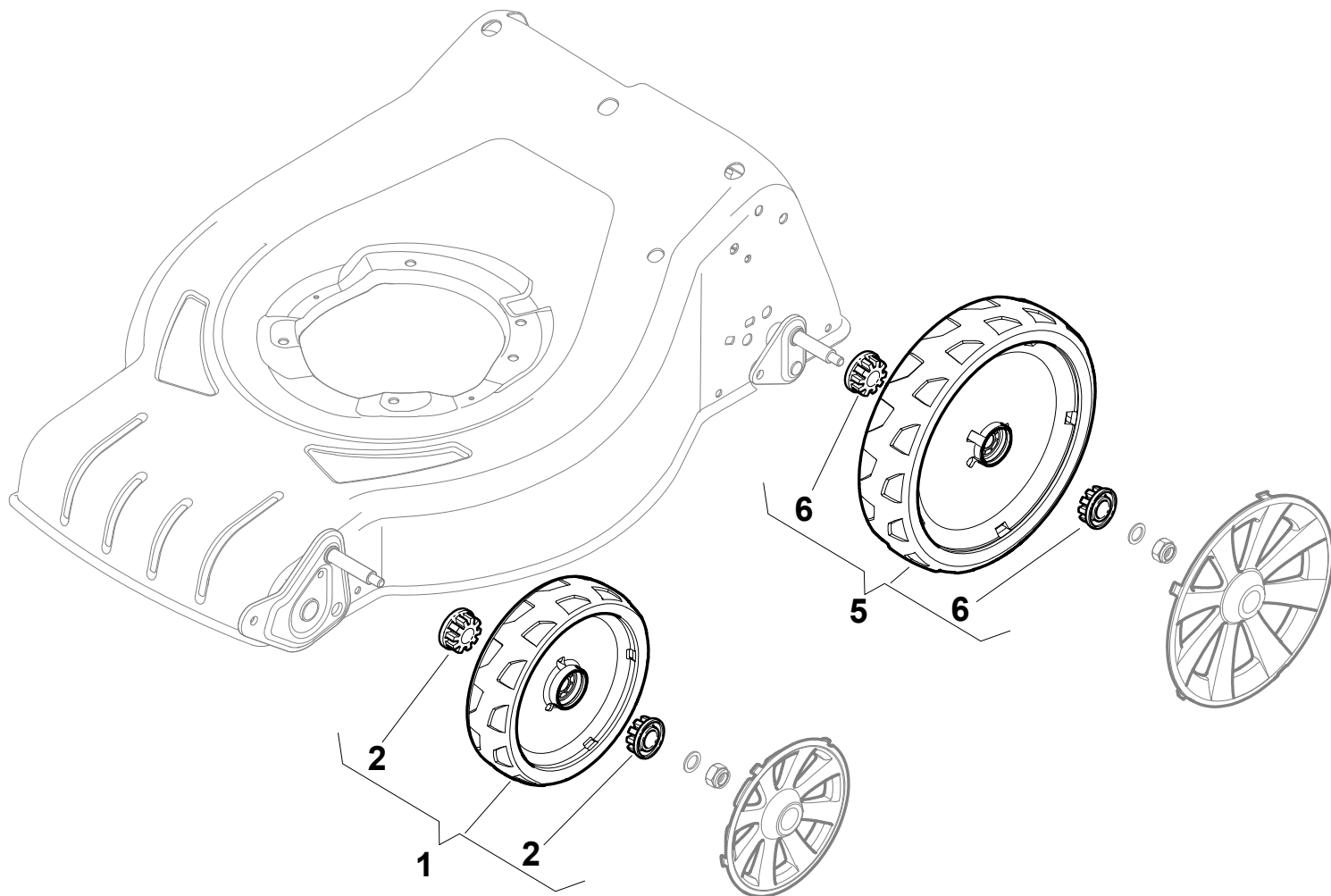


N.	CODE	Q.TY	DESCRIZIONE	DESCRIPTION	DESCRIPTION	BESCHREIBUNG	REMARK
1	81007017/2	1	Manico, Parte Sup	Handle, Upper Part	Mancheron, Partie Superieure	Holm, Oberteil	
2	22192000/1	2	Fascetta	Anchor Clamp	Collier Ancrage	Bowdenzughalter	
3	381600503/3	1	Salvatore	Dead Hand Switch	Int. Main Morte	Tot Manschalter	CE
3	381600504/3	1	Salvatore	Dead Hand Switch	Int. Main Morte	Tot Manschalter	CH
3	381600505/3	1	Salvatore	Dead Hand Switch	Int. Main Morte	Tot Manschalter	UK
4	12728701/0	4	Vite	Screw	Vis	Schraube	
5	22195101/4	1	Fermacavo	Fairlead	Fixation Cable	Kabelbefestigung	
6	22010251/0	1	Asta Aggancio Fermacavo	Rod, Fairlead Bearing	Tige Support Serrecable	Stange, Kabelhalter	
7	322230350/1	1	Fulcro	Fulcrum Pin	Point D'Appui	Gelenkpunkt	
8	22450115/0	1	Molla	Spring	Ressort	Feder	
9	322785144/1	1	Supporto	Support	Support	Halter	
10	322322881/1	1	Leva Freno Motore, Nero	Lever, Engine Brake	Levier Frein Moteur	Hebel, Motorbremse	
10	322322885/1	1	Leva Freno Motore, Giallo	Lever, Engine Brake	Levier Frein Moteur	Hebel, Motorbremse	

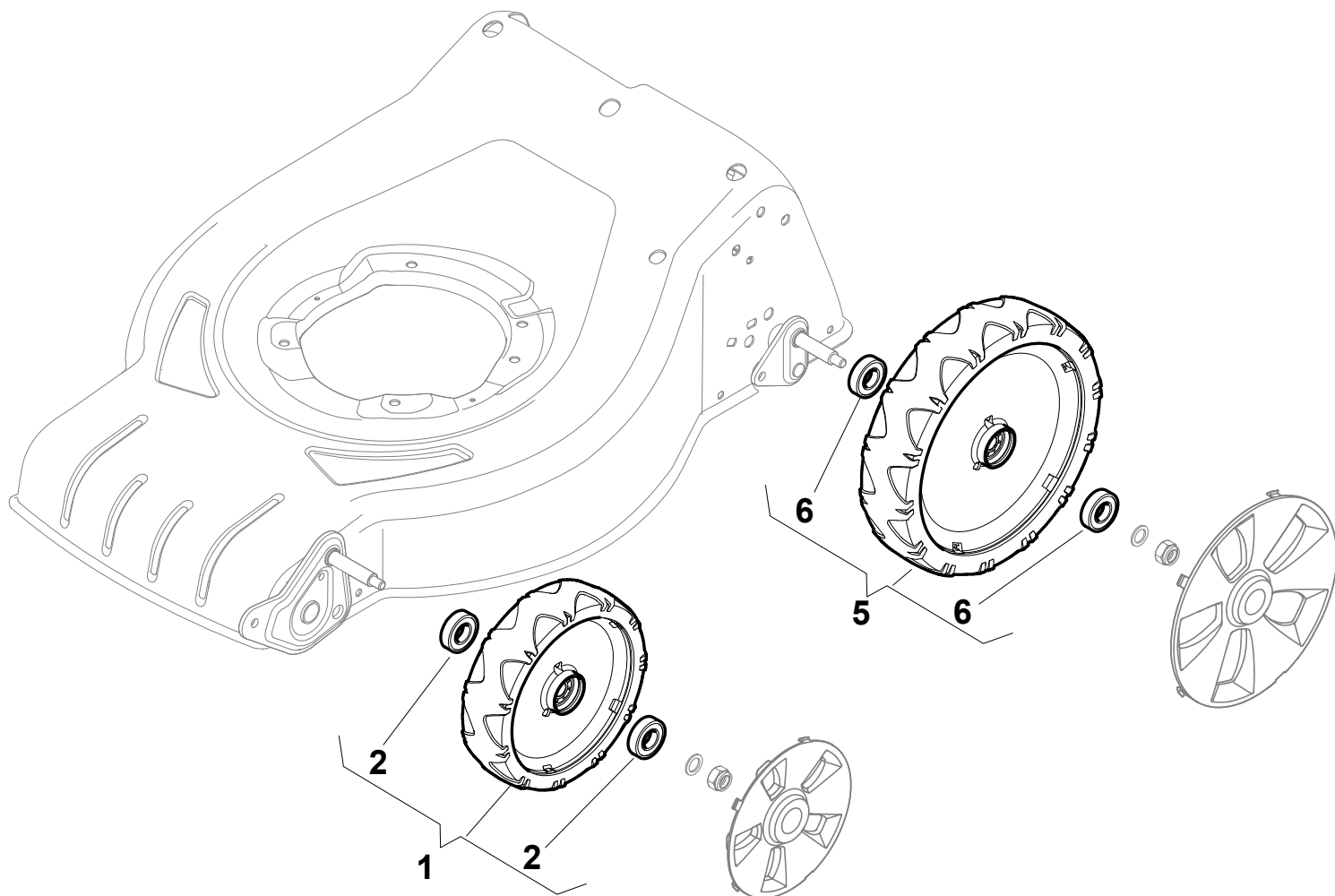


N.	CODE	Q.TY	DESCRIZIONE	DESCRIPTION	DESCRIPTION	BESCHREIBUNG	REMARK
1	381007448/0	2	Ruota Ø 180	Wheel Ø 180	Roue Ø 180	Rad Ø 180	
2	19216035/0	4	Cuscinetto	Bearing	Coussinet	Lager	
5	381007449/0	2	Ruota Ø 240	Wheel Ø 240	Roue Ø 240	Rad Ø 240	
6	19216035/0	4	Cuscinetto	Bearing	Coussinet	Lager	

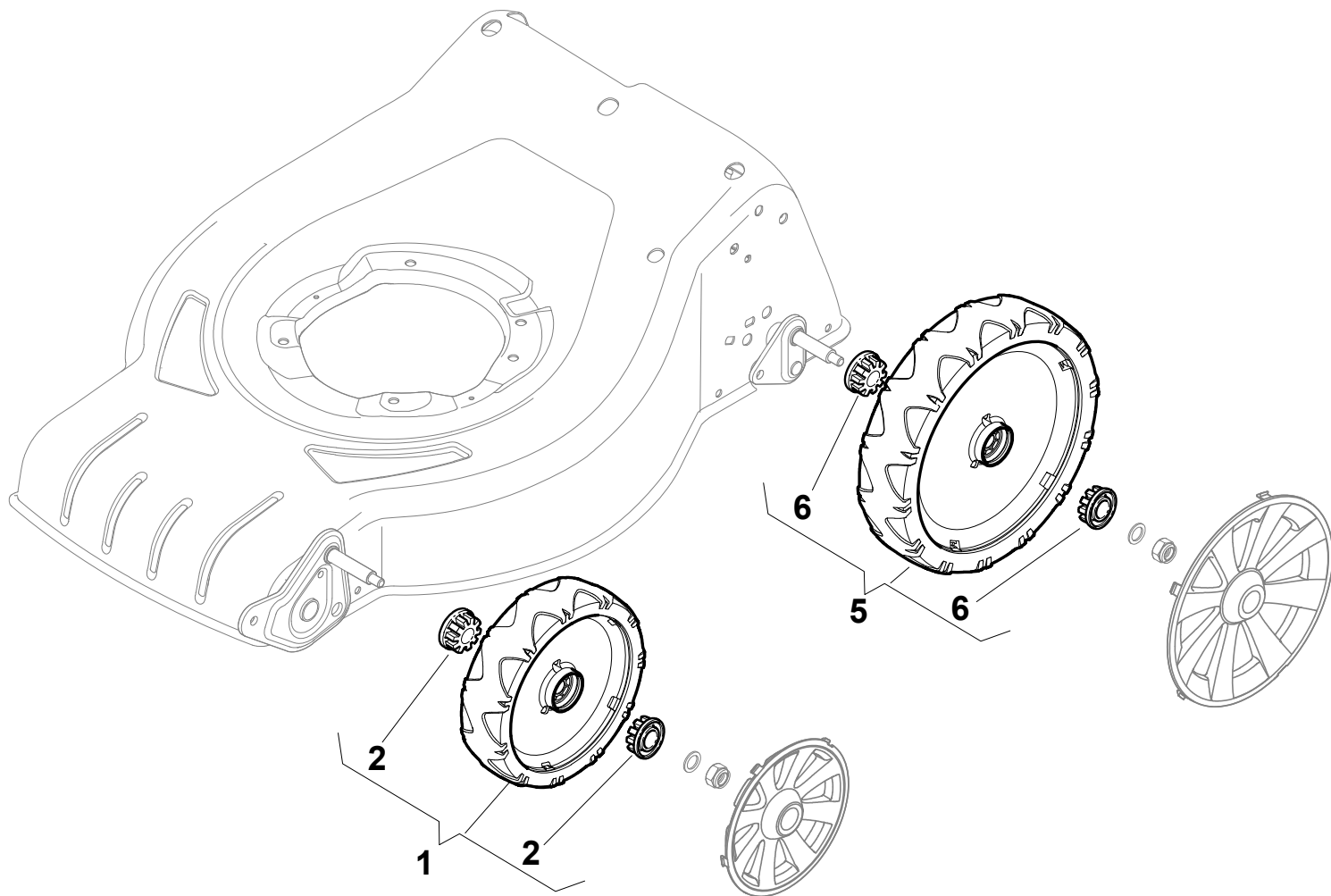




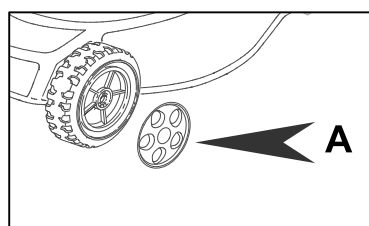
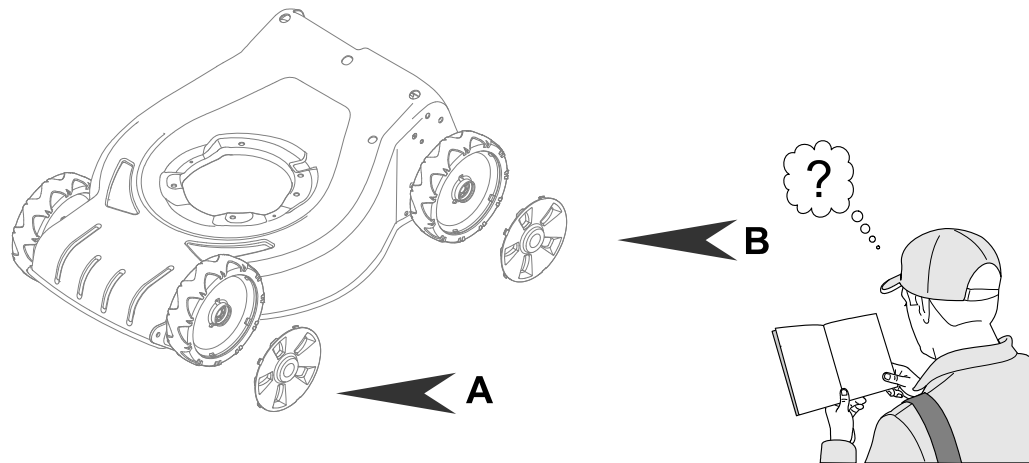
N.	CODE	Q.TY	DESCRIZIONE	DESCRIPTION	DESCRIPTION	BESCHREIBUNG	REMARK
1	381007442/0	2	Ruota Ø 180	Wheel Ø 180	Roue Ø 180	Rad Ø 180	
2	322042064/0	4	Bussola	Bush	Douille	Buchse	
5	381007443/0	2	Ruota Ø 240	Wheel Ø 240	Roue Ø 240	Rad Ø 240	
6	322042064/0	4	Bussola	Bush	Douille	Buchse	



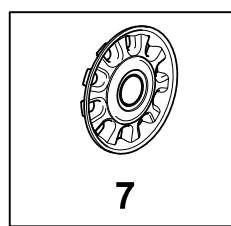
N.	CODE	Q.TY	DESCRIZIONE	DESCRIPTION	DESCRIPTION	BESCHREIBUNG	REMARK
1	381007450/0	2	Ruota Ø 180	Wheel Ø 180	Roue Ø 180	Rad Ø 180	
2	19216035/0	4	Cuscinetto	Bearing	Coussinet	Lager	
5	381007456/0	2	Ruota Ø 240	Wheel Ø 240	Roue Ø 240	Rad Ø 240	
6	19216035/0	4	Cuscinetto	Bearing	Coussinet	Lager	



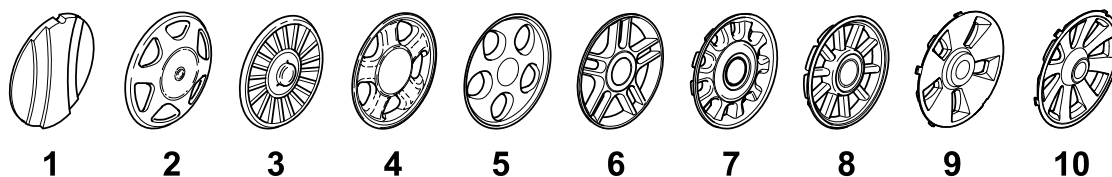
N.	CODE	Q.TY	DESCRIZIONE	DESCRIPTION	DESCRIPTION	BESCHREIBUNG	REMARK
1	381007444/0	2	Ruota Ø 180	Wheel Ø 180	Roue Ø 180	Rad Ø 180	
2	322042064/0	4	Bussola	Bush	Douille	Buchse	
5	381007446/0	2	Ruota Ø 240	Wheel Ø 240	Roue Ø 240	Rad Ø 240	
6	322042064/0	4	Bussola	Bush	Douille	Buchse	



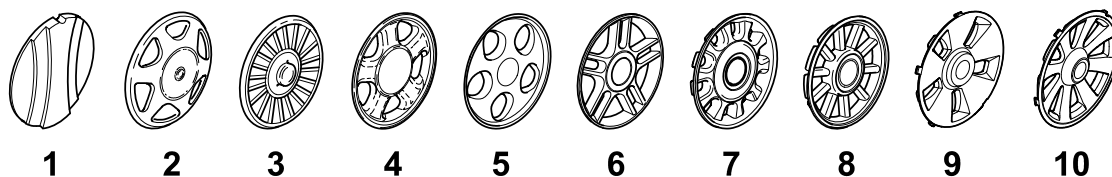
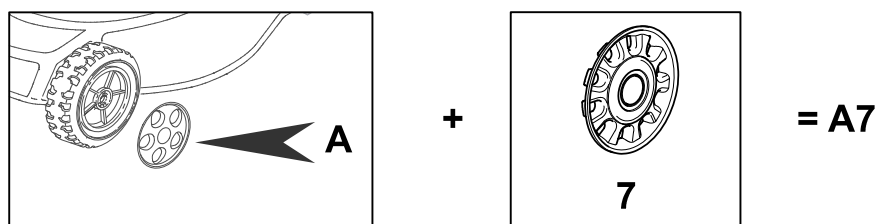
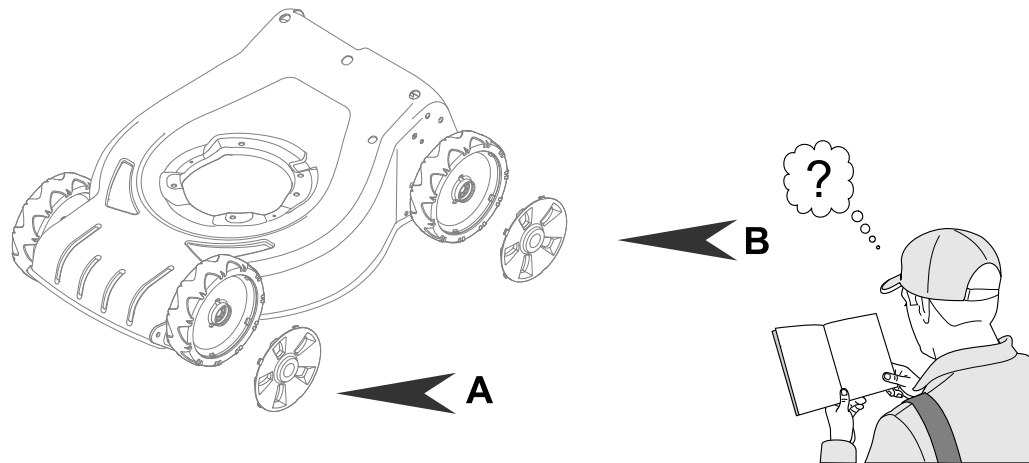
+



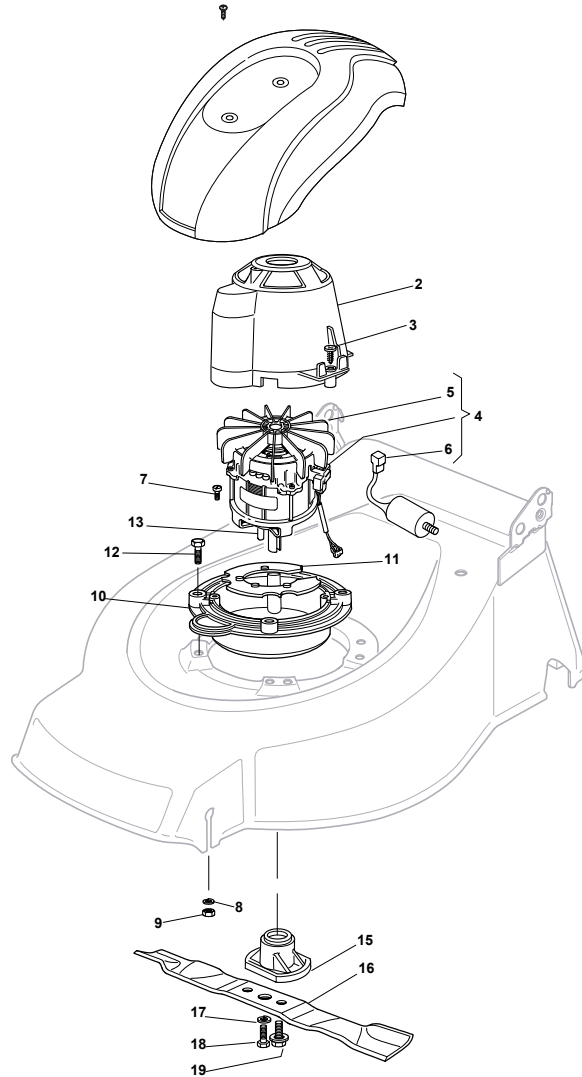
= A7



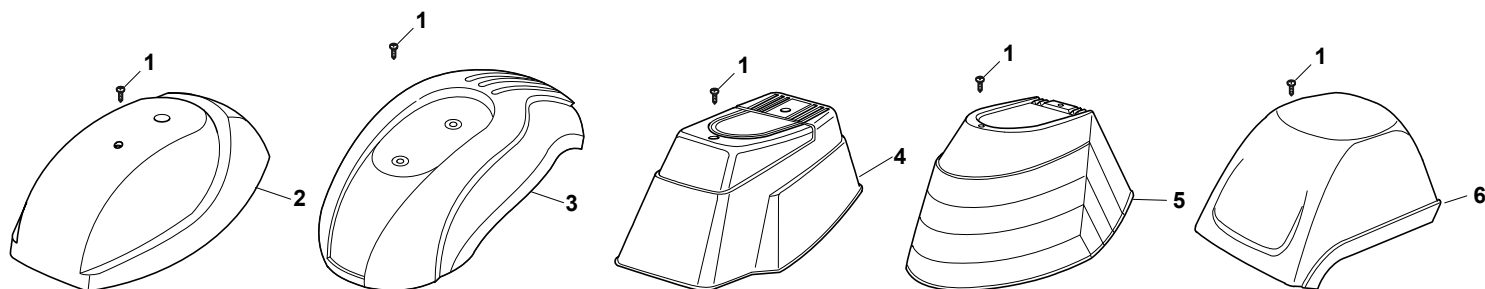
N.	CODE	Q.TY	DESCRIZIONE	DESCRIPTION	DESCRIPTION	BESCHREIBUNG	REMARK
B1	22110251/0	2	Coprismozzo Bianco	Hub Cap White	Couvre-Moyeu	Radkappe Weiße	
A1	22110252/1	2	Coprismozzo Bianco	Hub Cap White	Couvre-Moyeu	Radkappe Weiße	
B1	22110253/0	2	Coprismozzo Giallo	Hub Cap Yellow	Couvre-Moyeu	Radkappe Gelbe	
A1	22110254/1	2	Coprismozzo Giallo	Hub Cap Yellow	Couvre-Moyeu	Radkappe Gelbe	
A1	22110255/1	2	Coprismozzo Rosso	Hub Cap Red	Couvre-Moyeu	Radkappe Rote	
B1	22110256/0	2	Coprismozzo Rosso	Hub Cap Red	Couvre-Moyeu	Radkappe Rote	
A1	22110381/0	2	Coprismozzo Grigio	Hub Cap Grey	Couvre-Moyeu Gris	Radkappe Grau	
B1	22110382/0	2	Coprismozzo Grigio	Hub Cap Grey	Couvre-Moyeu Gris	Radkappe Grau	
B2	22110313/0	2	Coprismozzo Bianco	Hub Cap White	Couvre-Moyeu	Radkappe Weiße	
B2	22110314/0	2	Coprismozzo Grigio	Hub Cap Grey	Couvre-Moyeu Gris	Radkappe Grau	
A2	22110344/0	2	Coprismozzo Bianco	Hub Cap White	Couvre-Moyeu	Radkappe Weiße	
A2	22110395/0	2	Coprismozzo Grigio	Hub Cap Grey	Couvre-Moyeu Gris	Radkappe Grau	
A3	22110347/0	2	Coprismozzo Grigio	Hub Cap Grey	Couvre-Moyeu Gris	Radkappe Grau	
B3	22110348/0	2	Coprismozzo Grigio	Hub Cap Grey	Couvre-Moyeu Gris	Radkappe Grau	
A4	22110381/0	2	Coprismozzo Grigio	Hub Cap Grey	Couvre-Moyeu Gris	Radkappe Grau	
B4	22110382/0	2	Coprismozzo Grigio	Hub Cap Grey	Couvre-Moyeu Gris	Radkappe Grau	
A5	22110416/0	2	Coprismozzo Grigio	Hub Cap Grey	Couvre-Moyeu Gris	Radkappe Grau	
B5	22110417/0	2	Coprismozzo Grigio	Hub Cap Grey	Couvre-Moyeu Gris	Radkappe Grau	
A6	22110491/0	2	Coprismozzo Grigio	Hub Cap Grey	Couvre-Moyeu Gris	Radkappe Grau	
B6	22110492/0	2	Coprismozzo Grigio	Hub Cap Grey	Couvre-Moyeu Gris	Radkappe Grau	
A7	22110493/0	2	Coprismozzo Grigio	Hub Cap Grey	Couvre-Moyeu Gris	Radkappe Grau	
B7	22110494/0	2	Coprismozzo Grigio	Hub Cap Grey	Couvre-Moyeu Gris	Radkappe Grau	
A8	22110495/0	2	Coprismozzo Grigio	Hub Cap Grey	Couvre-Moyeu Gris	Radkappe Grau	
B8	22110496/0	2	Coprismozzo Grigio	Hub Cap Grey	Couvre-Moyeu Gris	Radkappe Grau	
A9	322110636/0	2	Coprismozzo Grigio	Hub Cap Grey	Couvre-Moyeu	Radkappe	
B9	322110643/0	2	Coprismozzo Grigio	Hub Cap Grey	Couvre-Moyeu	Radkappe	
A10	322110638/0	2	Coprismozzo Grigio	Hub Cap Grey	Couvre-Moyeu	Radkappe	



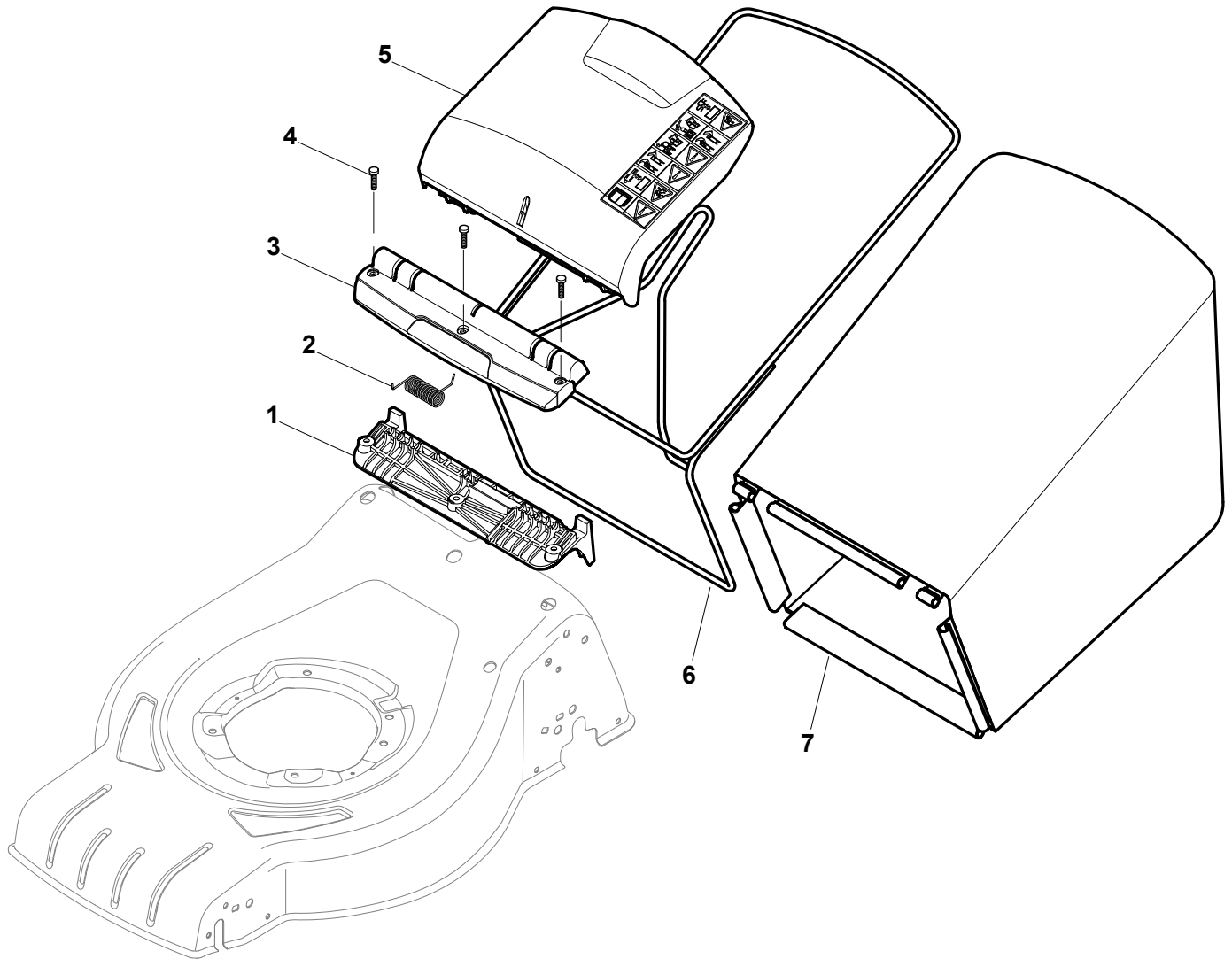
N. CODE	Q.TY	DESCRIZIONE	DESCRIPTION	DESCRIPTION	BESCHREIBUNG	REMARK
B10 322110645/0	2	Coprimezzo Grigio	Hub Cap Grey	Couvre-Moyeu	Radkappe	



N.	CODE	Q.TY	DESCRIZIONE	DESCRIPTION	DESCRIPTION	BESCHREIBUNG	REMARK
2	22785210/0	1	Supporto Capottina	Support, Cover	Support Capot	Halter, Haube	
3	12728710/0	4	Vite	Screw	Vis	Schraube	
4	18563605/0	1	Motore Atb	Motor Atb	Moteur Atb	Motor Atb	230V (1600W)
5	18740054/0	1	Ventola Per Motore Atb	Fan Motor Atb	Ventilateur Moteur Atb	Lüfter Motor Atb	
6	18222045/0	1	Condensatore 16 µf	Condenser 16 µf	Condenseur 16 µf	Kondensator 16 µf	(Atb - 1600W)
7	12735410/0	4	Vite	Screw	Vis	Schraube	
8	12583500/0	4	Grower	Grower	Grower	Federring	
9	12293200/0	4	Dado	Nut	Ecrou	Mutter	
10	322207211/4	1	Flangia	Flange	Bride	Flansch	
11	322720360/2	1	Schermo	Ventilation Screen	Ecran Ventilation	Lüftungschirm	
12	12793700/0	4	Vite	Screw	Vis	Schraube	
13	12139440/0	1	Linguetta	Feather	Clavette	Keil	
15	322463186/3	1	Mozzo	Hub	Moyeu	Halter	
16	81004346/3	1	Coltello Standard	Blade Standard	Lame Standard	Messer Standard	
16	81004397/0	1	Coltello Alettato	Blade Winged	Lame Ailette	Messer Flügel	
17	12583500/0	2	Grower	Grower	Grower	Federring	
18	12793101/0	2	Vite	Screw	Vis	Schraube	
19	381004352/1	1	Vite	Screw	Vis	Schraube	

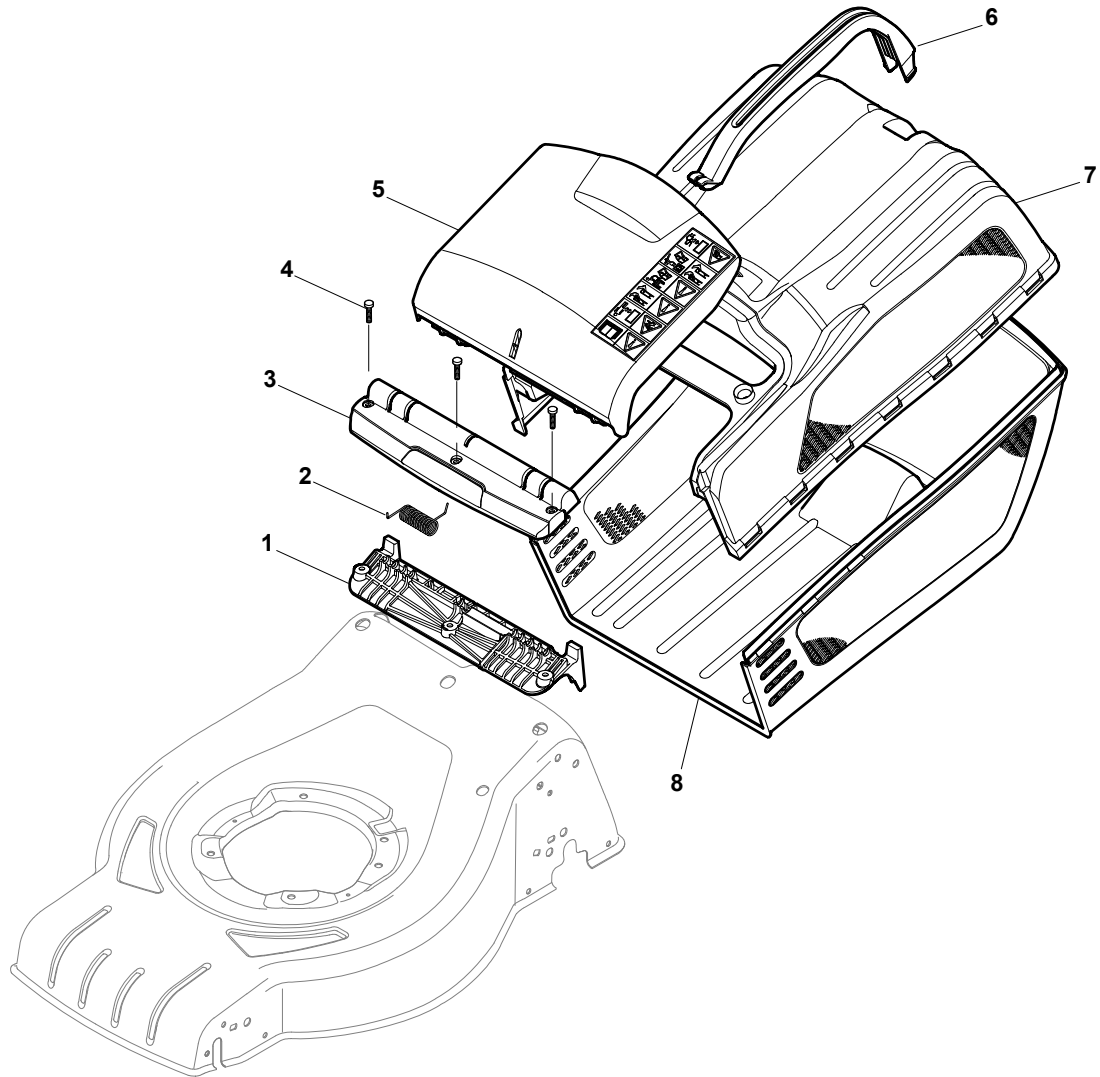


N.	CODE	Q.TY	DESCRIZIONE	DESCRIPTION	DESCRIPTION	BESCHREIBUNG	REMARK
1	12728680/0	2	Vite	Screw	Vis	Schraube	
2	22055058/0	1	Capottina	Cover	Capot	Haube	
3	22055065/0	1	Capottina	Cover	Capot	Haube	
4	22055045/1	1	Capottina	Cover	Capot	Haube	
5	22055033/1	1	Capottina	Cover	Capot	Haube	
6	22055053/1	1	Capottina	Cover	Capot	Haube	

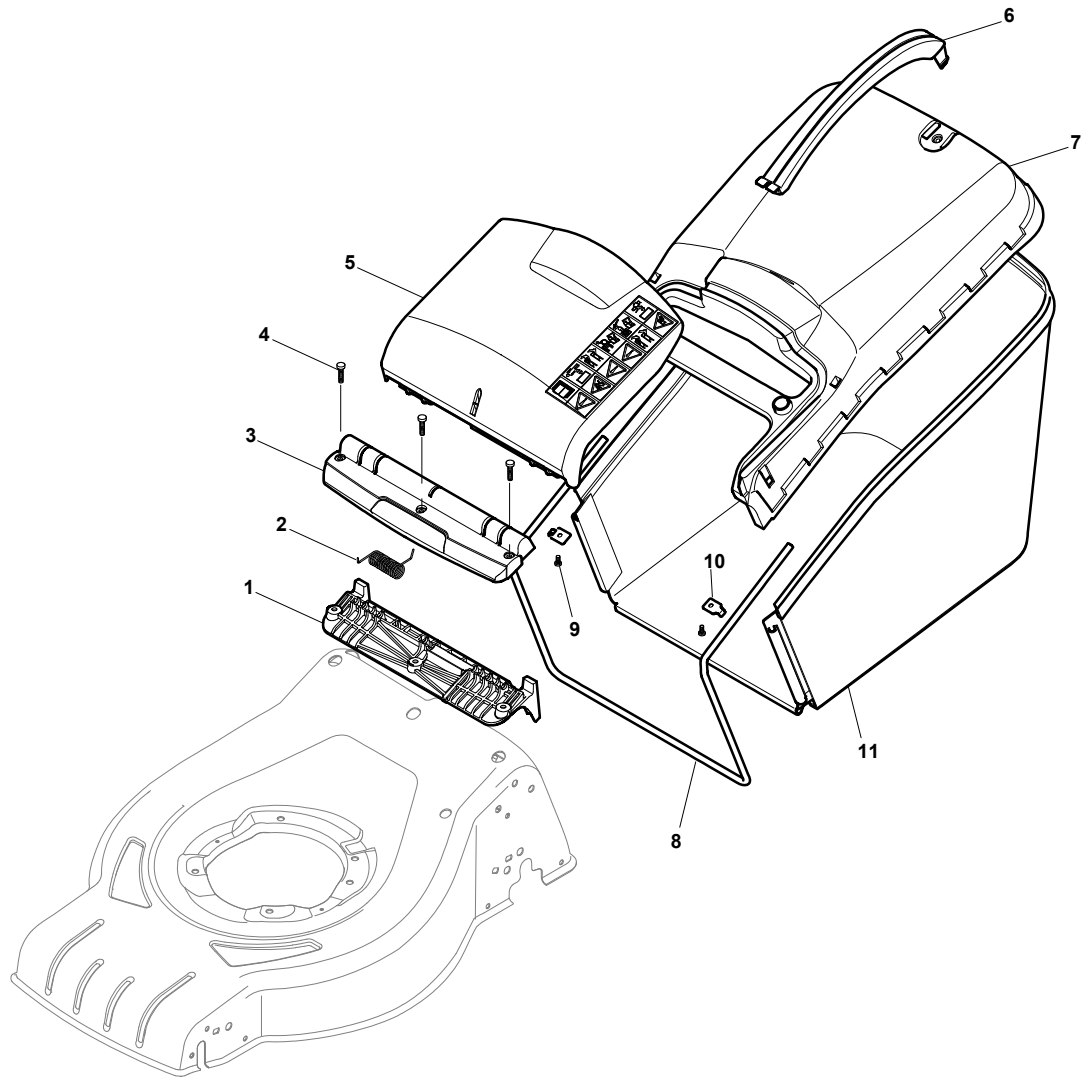


N.	CODE	Q.TY	DESCRIZIONE	DESCRIPTION	DESCRIPTION	BESCHREIBUNG	REMARK
1	322785331/0	1	Supporto	Support	Support	Halter	
2	122450464/0	1	Molla	Spring	Ressort	Feder	
3	322109556/0	1	Copertura	Cover	Couvre	Kappe	Yellow
3	322109557/0	1	Copertura	Cover	Couvre	Kappe	Grey
3	322109557/0	1	Copertura	Cover	Couvre	Kappe	
4	112728699/0	3	Vite	Screw	Vis	Schraube	
5	322600214/0	1	Parasassi	Stone-Guard	Pare-Pierres	Prallblech	Yellow
5	322600216/0	1	Parasassi	Stone-Guard	Pare-Pierres	Prallblech	Grey
5	322600216/0	1	Parasassi	Stone-Guard	Pare-Pierres	Prallblech	
6	181006409/0	1	Telaio Sacco	Chassis Box	Châssis Bac	Rahmen Sack	
7	181002319/0	1	Sacco, Tela	Box, Fabric	Sac, Toile	Sack, Tuck	





N.	CODE	Q.TY	DESCRIZIONE	DESCRIPTION	DESCRIPTION	BESCHREIBUNG	REMARK
1	322785331/0	1	Supporto	Support	Support	Halter	
2	122450464/0	1	Molla	Spring	Ressort	Feder	
3	322109556/0	1	Copertura	Cover	Couvre	Kappe	Yellow
3	322109557/0	1	Copertura	Cover	Couvre	Kappe	Grey
3	322109557/0	1	Copertura	Cover	Couvre	Kappe	
4	112728699/0	3	Vite	Screw	Vis	Schraube	
5	322600214/0	1	Parasassi	Stone-Guard	Pare-Pierres	Prallblech	Yellow
5	322600216/0	1	Parasassi	Stone-Guard	Pare-Pierres	Prallblech	Grey
5	322600216/0	1	Parasassi	Stone-Guard	Pare-Pierres	Prallblech	
6	322393645/0	1	Maniglia	Handle	Poignée	Griff	
7	322486263/0	1	Parte Sup.Sacco	Grassbox Upper Part	Sac, Partie Superieure	Korb Oberteil	
8	322486267/0	1	Parte Infer. Sacco	Grassbox Lower Part	Sac, Partie Inferieure	Korb Unterteil	



N.	CODE	Q.TY	DESCRIZIONE	DESCRIPTION	DESCRIPTION	BESCHREIBUNG	REMARK
1	322785331/0	1	Supporto	Support	Support	Halter	
2	122450464/0	1	Molla	Spring	Ressort	Feder	
3	322109556/0	1	Copertura	Cover	Couvre	Kappe	Yellow
3	322109557/0	1	Copertura	Cover	Couvre	Kappe	
3	322109557/0	1	Copertura	Cover	Couvre	Kappe	Grey
4	112728699/0	3	Vite	Screw	Vis	Schraube	
5	322600214/0	1	Parasassi	Stone-Guard	Pare-Pierres	Prallblech	Yellow
5	322600216/0	1	Parasassi	Stone-Guard	Pare-Pierres	Prallblech	
5	322600216/0	1	Parasassi	Stone-Guard	Pare-Pierres	Prallblech	Grey
6	322393646/0	1	Maniglia	Handle	Poignée	Griff	
6	322393649/0	1	Maniglia	Handle	Poignée	Griff	
7	322486264/0	1	Parte Sup.Sacco	Grassbox Upper Part	Sac, Partie Superieure	Korb Oberteil	
7	322486270/0	1	Parte Sup.Sacco	Grassbox Upper Part	Sac, Partie Superieure	Korb Oberteil	
8	122608561/0	1	Rinforzo Inf	Stiffening Lower	Réinforcement Inf	Verstärkung	
9	322545159/0	2	Piastrina	Plate	Plaquette	Plättchen	
10	12728692/0	2	Vite	Screw	Vis	Schraube	
11	181002318/0	1	Sacco, Tela	Box, Fabric	Sac, Toile	Sack, Tuck	