

# Genuine Spare Parts

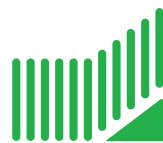
Catalogo delle parti di ricambio  
Spare parts catalogue  
Catalogue des pieces de rechange  
Ersatzteilkatalog

# 2010

- Use GLOBAL GARDEN PRODUCT Genuine Spare Parts specified in the parts list for repair and/or replacement.
- The contents described in the parts list may change due to improvement.
- The drawings of the spare parts are only indicative and might not represent the part in question exactly.
- The indications "right" - "left" - "front" - "rear" refer to the position of the operator when using the machine.
- When placing orders of parts for repair and/or replacement, make sure that the illustrated parts list is the one applying to the machine's year of manufacture, as shown on the identification plate attached to the machine.

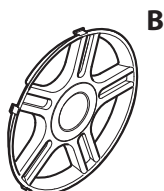
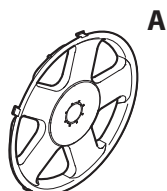
COPYRIGHT by GLOBAL GARDEN PRODUCTS

All rights reserved. No part of this material may be reproduced or transmitted, in any form or by any means, electronic or mechanical, including photocopying, recording or by any information storage and retrieval system, without permission in writing from GLOBAL GARDEN PRODUCTS.



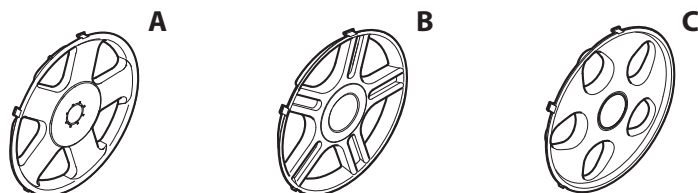
**GLOBAL GARDEN PRODUCTS**

## ENCLOSURE 2



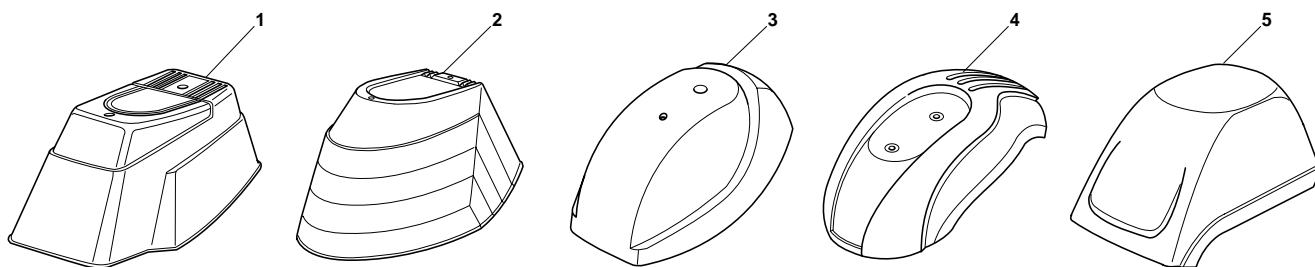
| POS. | CODE       | Q.TY | DESCRIZIONE       | DESCRIPTION  | DESCRIPTION       | BESCHREIBUNG  | REMARKS |
|------|------------|------|-------------------|--------------|-------------------|---------------|---------|
| A    | 22110382/0 |      | Coprimezzo Grigio | Hub Cap Grey | Couvre-Moyeu Gris | Radkappe Grau |         |
| B    | 22110492/0 |      | Coprimezzo Grigio | Hub Cap Grey | Couvre-Moyeu Gris | Radkappe Grau |         |
| C    | 22110417/0 |      | Coprimezzo Grigio | Hub Cap Grey | Couvre-Moyeu Gris | Radkappe Grau |         |

## ENCLOSURE 3

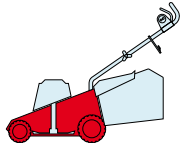


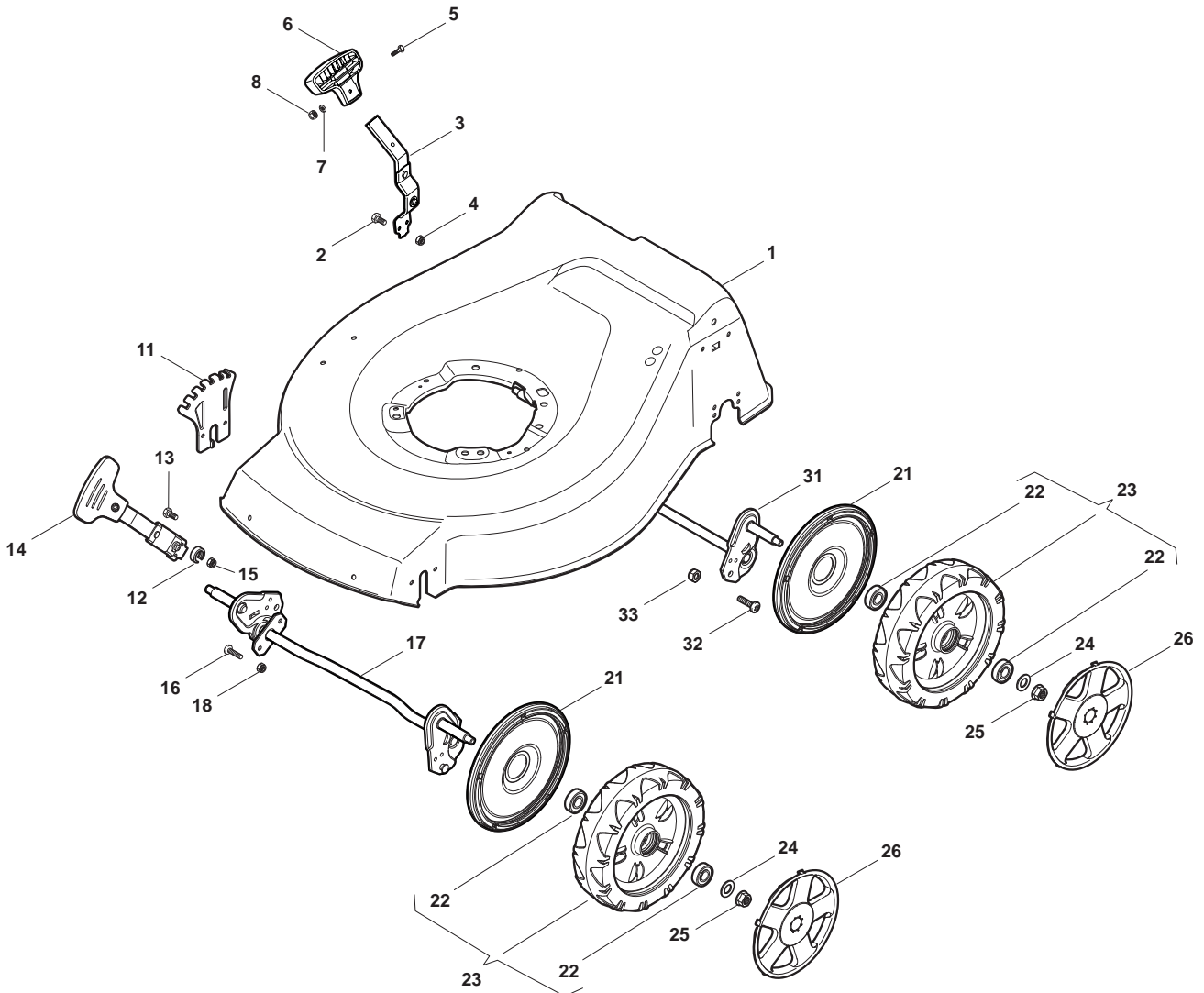
| POS. | CODE        | Q.TY | DESCRIZIONE     | DESCRIPTION  | DESCRIPTION       | BESCHREIBUNG  | REMARKS |
|------|-------------|------|-----------------|--------------|-------------------|---------------|---------|
| A    | 22110511/0  |      | Coprizzo Grigio | Hub Cap Grey | Couvre-Moyeu Gris | Radkappe Grau |         |
| B    | 322110560/0 |      | Coprizzo Grigio | Hub Cap Grey | Couvre-Moyeu Gris | Radkappe Grau |         |
| C    | 322110590/0 |      | Coprizzo Grigio | Hub Cap Grey | Couvre-Moyeu Gris | Radkappe Grau |         |

## ENCLOSURE 6



| POS. | CODE       | Q.TY | DESCRIZIONE | DESCRIPTION | DESCRIPTION | BESCHREIBUNG | REMARKS |
|------|------------|------|-------------|-------------|-------------|--------------|---------|
| 1    | 22055045/1 | 1    | Capottina   | Cover       | Capot       | Haube        |         |
| 2    | 22055033/1 | 1    | Capottina   | Cover       | Capot       | Haube        |         |
| 3    | 22055058/0 | 1    | Capottina   | Cover       | Capot       | Haube        |         |
| 4    | 22055065/0 | 1    | Capottina   | Cover       | Capot       | Haube        |         |
| 5    | 22055053/1 | 1    | Capottina   | Cover       | Capot       | Haube        |         |

|     |       |       |        |  |
|-----|-------|-------|--------|--|
| NT  |       | NTL   |        |  |
| 480 | 480 Q | 480 W | 480 WQ |  |



| POS. | CODE        | Q.TY | DESCRIZIONE                 | DESCRIPTION               | DESCRIPTION             | BESCHREIBUNG            | REMARKS |
|------|-------------|------|-----------------------------|---------------------------|-------------------------|-------------------------|---------|
| 1    | 381003908/0 | 1    | Chassis Rosso               | Deck Red                  | Châssis Rouge           | Gehäuse Rot             |         |
| 1    | 381003977/0 | 1    | Chassis Grigio              | Deck Grey                 | Châssis Gris            | Gehäuse Grau            |         |
| 1    | 381003914/0 | 1    | Chassis Giallo              | Deck Yellow               | Châssis Jaune           | Gehäuse Gelb            |         |
| 1    | 381003916/0 | 1    | Chassis Nero                | Deck Black                | Châssis Noir            | Gehäuse Schwarz         |         |
| 2    | 12789000/0  | 2    | Vite                        | Screw                     | Vis                     | Schraube                |         |
| 3    | 381003339/1 | 1    | Leva Regolazione Altezza    | Lever, Height Adjustment  | Levier, Reglage Hauteur | Hebel, Höheverstellung  |         |
| 4    | 12154330/0  | 2    | Dado                        | Nut                       | Ecrou                   | Mutter                  |         |
| 5    | 12788512/0  | 1    | Vite                        | Screw                     | Vis                     | Schraube                |         |
| 6    | 322394503/0 | 1    | Manopolina                  | Knob                      | Poignée                 | Griff                   |         |
| 7    | 12521310/0  | 1    | Rondella                    | Washer                    | Rondelle                | Scheibe                 |         |
| 8    | 12150000/0  | 1    | Dado                        | Nut                       | Ecrou                   | Mutter                  |         |
| 11   | 322735587/0 | 1    | Settore Regolazione Altezza | Sector, Height Adjustment | Secteur Reglage Hauteur | Sektor, Höheverstellung |         |
| 12   | 22171002/0  | 2    | Distanziale                 | Spacer                    | Entretoise              | Distanzring             |         |
| 13   | 12789000/0  | 2    | Vite                        | Screw                     | Vis                     | Schraube                |         |
| 14   | 381003351/0 | 1    | Leva Regolazione Altezza    | Lever, Height Adjustment  | Levier Reglage Hauteur  | Hebel, Höheverstellung  |         |

| POS. | CODE        | Q.TY | DESCRIZIONE           | DESCRIPTION        | DESCRIPTION       | BESCHREIBUNG     | REMARKS           |
|------|-------------|------|-----------------------|--------------------|-------------------|------------------|-------------------|
| 15   | 12154330/0  | 2    | Dado                  | Nut                | Ecrou             | Mutter           |                   |
| 16   | 112727803/0 | 4    | Vite                  | Screw              | Vis               | Schraube         |                   |
| 17   | 381002881/0 | 1    | Asse Ruote Anteriori  | Axle, Front Wheels | Axe Roues Avant   | Achse, Vorderrad |                   |
| 18   | 12154510/0  | 4    | Dado                  | Nut                | Ecrou             | Mutter           |                   |
| 21   | 322600145/0 | 4    | Prot. Ruote           | Protection, Wheel  | Protection Roue   | Schütz, Räder    |                   |
| 22   | 19216035/0  | 8    | Cuscinetto            | Bearing            | Coussinet         | Lager            |                   |
| 23   | 381007416/0 | 4    | Ruota Ø 200           | Ruota Ø 200        | Roue Ø 200        | Rad Ø 200        |                   |
| 24   | 12521350/0  | 4    | Rondella              | Washer             | Rondelle          | Scheibe          |                   |
| 25   | 12155000/0  | 4    | Dado                  | Nut                | Ecrou             | Mutter           |                   |
| 26   | -           | 4    | Coprimozzo            | Hub Cap            | Couvre-Moyeu      | Radkappe         | (See Enclosure 2) |
| 31   | 381002889/0 | 1    | Asse Ruote Posteriori | Axle, Rear Wheels  | Axe Roues Arriere | Achse, Hinterrad |                   |
| 32   | 112727803/0 | 4    | Vite                  | Screw              | Vis               | Schraube         |                   |
| 33   | 12154510/0  | 4    | Dado                  | Nut                | Ecrou             | Mutter           |                   |

NT

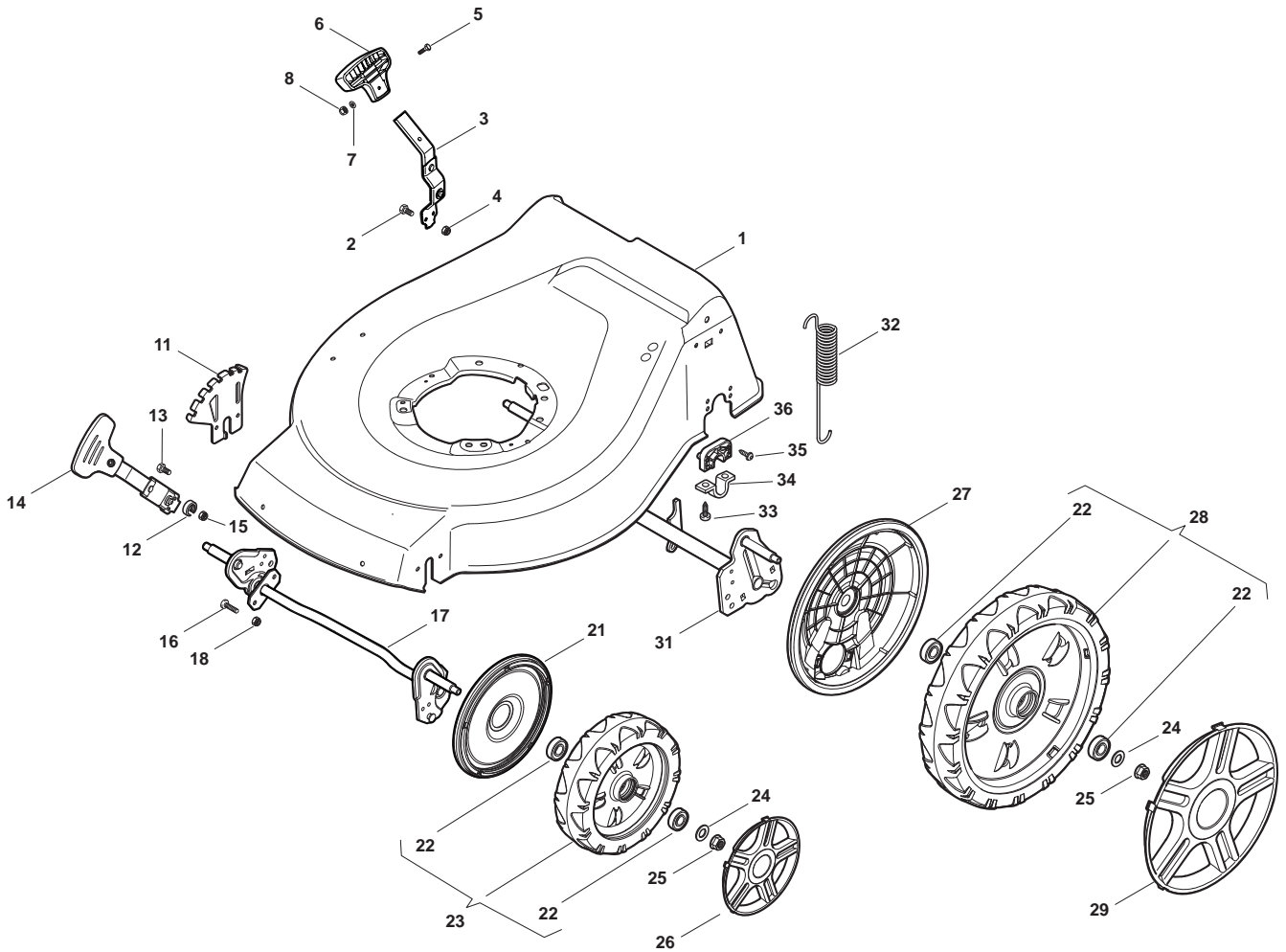
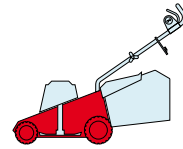
NTL

480

480 Q

480 W

480 WQ

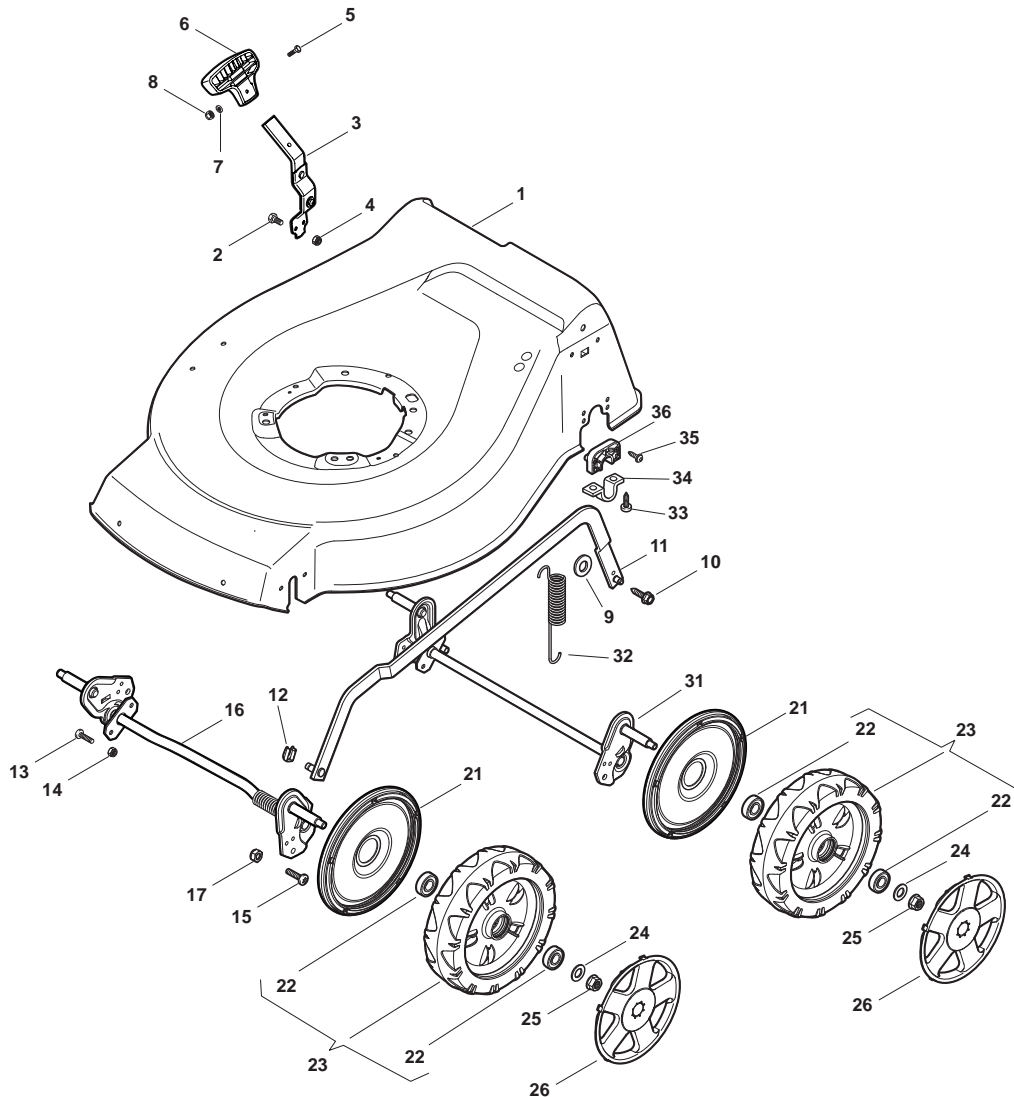
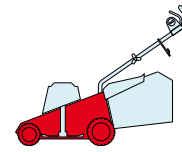


| POS. | CODE        | Q.TY | DESCRIZIONE                    | DESCRIPTION                  | DESCRIPTION             | BESCHREIBUNG            | REMARKS |
|------|-------------|------|--------------------------------|------------------------------|-------------------------|-------------------------|---------|
| 1    | 381003908/0 | 1    | Chassis Rosso                  | Deck Red                     | Châssis Rouge           | Gehäuse Rot             |         |
| 1    | 381003977/0 | 1    | Chassis Grigio                 | Deck Grey                    | Châssis Gris            | Gehäuse Grau            |         |
| 1    | 381003914/0 | 1    | Chassis Giallo                 | Deck Yellow                  | Châssis Jaune           | Gehäuse Gelb            |         |
| 1    | 381003916/0 | 1    | Chassis Nero                   | Deck Black                   | Châssis Noir            | Gehäuse Schwarz         |         |
| 2    | 12789000/0  | 2    | Vite                           | Screw                        | Vis                     | Schraube                |         |
| 3    | 381003341/1 | 1    | Leva Regolazione<br>Altezza    | Lever, Height Adjustment     | Levier, Reglage Hauteur | Hebel, Höheverstellung  |         |
| 4    | 12154330/0  | 2    | Dado                           | Nut                          | Ecrou                   | Mutter                  |         |
| 5    | 12788512/0  | 1    | Vite                           | Screw                        | Vis                     | Schraube                |         |
| 6    | 322394503/0 | 1    | Manopolina                     | Knob                         | Poignée                 | Griff                   |         |
| 7    | 12521310/0  | 1    | Rondella                       | Washer                       | Rondelle                | Scheibe                 |         |
| 8    | 12150000/0  | 1    | Dado                           | Nut                          | Ecrou                   | Mutter                  |         |
| 11   | 322735589/0 | 1    | Settore Regolazione<br>Altezza | Sector, Height<br>Adjustment | Secteur Reglage Hauteur | Sektor, Höheverstellung |         |
| 12   | 22171002/0  | 2    | Distanziale                    | Spacer                       | Entretoise              | Distanzring             |         |
| 13   | 12789000/0  | 2    | Vite                           | Screw                        | Vis                     | Schraube                |         |
| 14   | 381003351/0 | 1    | Leva Regolazione<br>Altezza    | Lever, Height Adjustment     | Levier Reglage Hauteur  | Hebel, Höneverstellung  |         |

| POS. | CODE        | Q.TY | DESCRIZIONE           | DESCRIPTION        | DESCRIPTION       | BESCHREIBUNG     | REMARKS           |
|------|-------------|------|-----------------------|--------------------|-------------------|------------------|-------------------|
| 15   | 12154330/0  | 2    | Dado                  | Nut                | Ecrou             | Mutter           |                   |
| 16   | 112727803/0 | 4    | Vite                  | Screw              | Vis               | Schraube         |                   |
| 17   | 381002881/0 | 1    | Asse Ruote Anteriori  | Axle, Front Wheels | Axe Roues Avant   | Achse, Vorderrad |                   |
| 18   | 12154510/0  | 4    | Dado                  | Nut                | Ecrou             | Mutter           |                   |
| 21   | 322600145/0 | 2    | Prot. Ruote           | Protection, Wheel  | Protection Roue   | Schütz, Räder    |                   |
| 22   | 19216035/0  | 8    | Cuscinetto            | Bearing            | Coussinet         | Lager            |                   |
| 23   | 381007416/0 | 2    | Ruota Ø 200           | Ruota Ø 200        | Roue Ø 200        | Rad Ø 200        |                   |
| 24   | 12521350/0  | 4    | Rondella              | Washer             | Rondelle          | Scheibe          |                   |
| 25   | 12155000/0  | 4    | Dado                  | Nut                | Ecrou             | Mutter           |                   |
| 26   | -           | 2    | Coprizzo              | Hub Cap            | Couvre-Moyeu      | Radkappe         | (See Enclosure 2) |
| 27   | 322600194/0 | 2    | Prot. Ruote           | Protection, Wheel  | Protection Roue   | Schütz, Räder    |                   |
| 28   | 381007417/0 | 2    | Ruota Ø 280           | Ruota Ø 280        | Roue Ø 280        | Rad Ø 280        |                   |
| 29   | -           | 2    | Coprizzo              | Hub Cap            | Couvre-Moyeu      | Radkappe         | (See Enclosure 3) |
| 31   | 381002893/0 | 1    | Asse Ruote Posteriori | Axle, Rear Wheels  | Axe Roues Arriere | Achse, Hinterrad |                   |
| 32   | 122450460/0 | 1    | Molla                 | Spring             | Ressort           | Feder            |                   |
| 33   | 112728697/0 | 4    | Vite                  | Screw              | Vis               | Schraube         |                   |
| 34   | 22545152/0  | 2    | Piastrina             | Plate              | Plaquette         | Platte           |                   |
| 35   | 112728697/0 | 4    | Vite                  | Screw              | Vis               | Schraube         |                   |
| 36   | 322785304/0 | 2    | Supporto              | Support            | Support           | Halter           |                   |



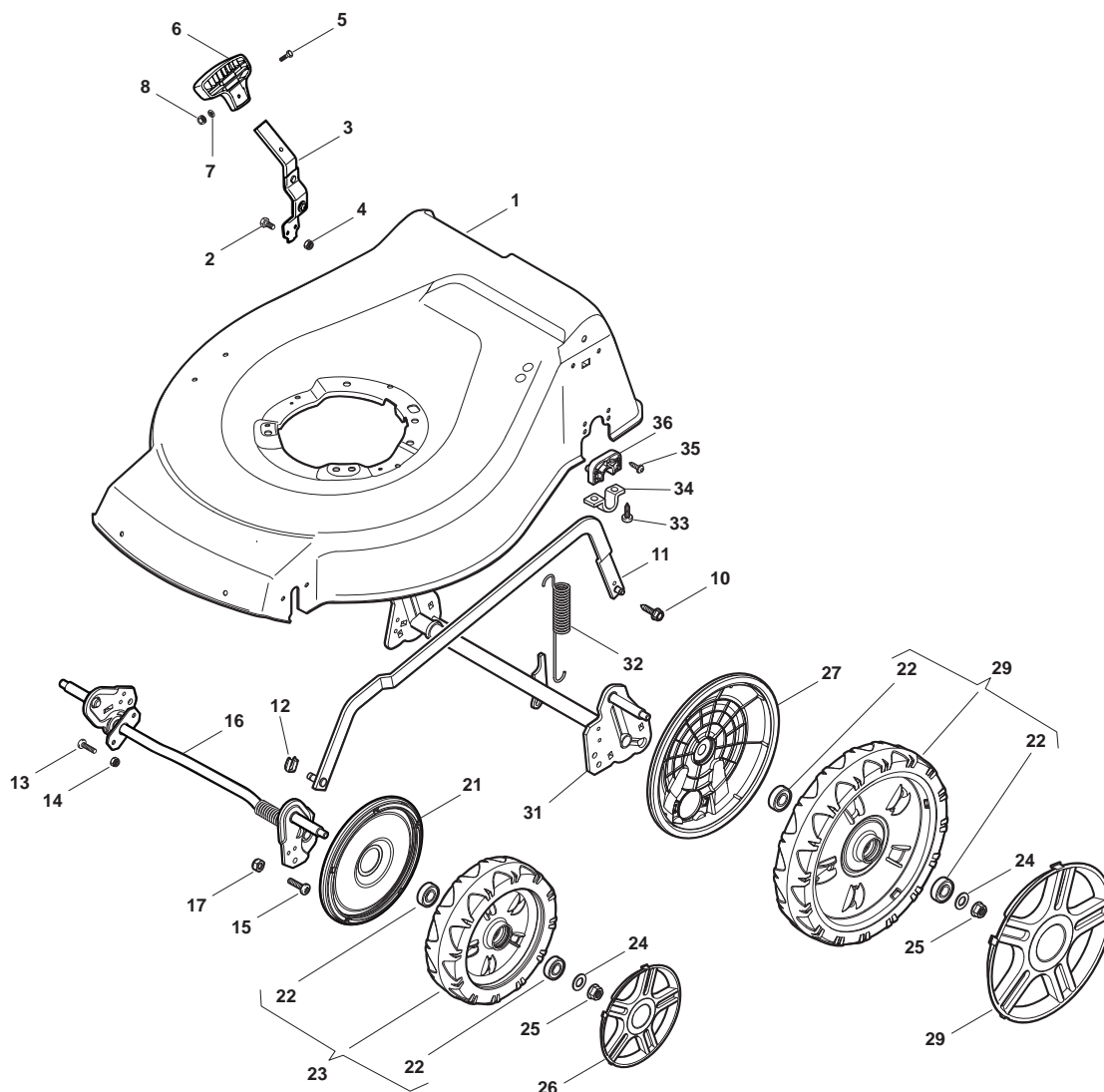
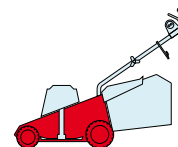
| NT  |       | NTL   |        |
|-----|-------|-------|--------|
| 480 | 480 Q | 480 W | 480 WQ |



| POS. | CODE        | Q.TY | DESCRIZIONE                    | DESCRIPTION              | DESCRIPTION                      | BESCHREIBUNG            | REMARKS |
|------|-------------|------|--------------------------------|--------------------------|----------------------------------|-------------------------|---------|
| 1    | 381003908/0 | 1    | Chassis Rosso                  | Deck Red                 | Châssis Rouge                    | Gehäuse Rot             |         |
| 1    | 381003977/0 | 1    | Chassis Grigio                 | Deck Grey                | Châssis Gris                     | Gehäuse Grau            |         |
| 1    | 381003914/0 | 1    | Chassis Giallo                 | Deck Yellow              | Châssis Jaune                    | Gehäuse Gelb            |         |
| 1    | 381003916/0 | 1    | Chassis Nero                   | Deck Black               | Châssis Noir                     | Gehäuse Schwarz         |         |
| 2    | 12789000/0  | 2    | Vite                           | Screw                    | Vis                              | Schraube                |         |
| 3    | 381003339/1 | 1    | Leva Regolazione<br>Altezza    | Lever, Height Adjustment | Levier, Reglage Hauteur          | Hebel, Höheverstellung  |         |
| 4    | 12154330/0  | 2    | Dado                           | Nut                      | Ecrou                            | Mutter                  |         |
| 5    | 12788512/0  | 1    | Vite                           | Screw                    | Vis                              | Schraube                |         |
| 6    | 322394503/0 | 1    | Manopolina                     | Knob                     | Poignée                          | Griff                   |         |
| 7    | 12521310/0  | 1    | Rondella                       | Washer                   | Rondelle                         | Scheibe                 |         |
| 8    | 12150000/0  | 1    | Dado                           | Nut                      | Ecrou                            | Mutter                  |         |
| 9    | 12369500/0  | 1    | Disco Elastico                 | Elastic Washer           | Disque Elastique                 | Federscheibe            |         |
| 10   | 122943013/0 | 1    | Vite                           | Screw                    | Vis                              | Schraube                |         |
| 11   | 381002029/0 | 1    | Asta Comando Regol.<br>Altezza | Rod, Height Adjustment   | Tige Commande Reglage<br>Hauteur | Stange, Höheverstellung |         |
| 12   | 112436051/0 | 1    | Piastrina                      | Plate                    | Plaquette                        | Plättchen               |         |
| 13   | 112727803/0 | 3    | Vite                           | Screw                    | Vis                              | Schraube                |         |

| POS. | CODE        | Q.TY | DESCRIZIONE           | DESCRIPTION        | DESCRIPTION       | BESCHREIBUNG     | REMARKS           |
|------|-------------|------|-----------------------|--------------------|-------------------|------------------|-------------------|
| 14   | 12154510/0  | 3    | Dado                  | Nut                | Ecrou             | Mutter           |                   |
| 15   | 112727801/0 | 1    | Vite                  | Screw              | Vis               | Schraube         |                   |
| 16   | 381002883/0 | 1    | Asse Ruote Anteriori  | Axle, Front Wheels | Axe Roues Avant   | Achse, Vorderrad |                   |
| 17   | 12154510/0  | 1    | Dado                  | Nut                | Ecrou             | Mutter           |                   |
| 21   | 322600145/0 | 4    | Prot. Ruote           | Protection, Wheel  | Protection Roue   | Schütz, Räder    |                   |
| 22   | 19216035/0  | 8    | Cuscinetto            | Bearing            | Coussinet         | Lager            |                   |
| 23   | 381007416/0 | 4    | Ruota Ø 200           | Ruota Ø 200        | Roue Ø 200        | Rad Ø 200        |                   |
| 24   | 12521350/0  | 4    | Rondella              | Washer             | Rondelle          | Scheibe          |                   |
| 25   | 12155000/0  | 4    | Dado                  | Nut                | Ecrou             | Mutter           |                   |
| 26   | -           | 4    | Coprimozzo            | Hub Cap            | Couvre-Moyeu      | Radkappe         | (See Enclosure 2) |
| 31   | 381002889/0 | 1    | Asse Ruote Posteriori | Axle, Rear Wheels  | Axe Roues Arriere | Achse, Hinterrad |                   |
| 32   | 122450460/0 | 1    | Molla                 | Spring             | Ressort           | Feder            |                   |
| 33   | 112728697/0 | 4    | Vite                  | Screw              | Vis               | Schraube         |                   |
| 34   | 22545152/0  | 2    | Piastrina             | Plate              | Plaquette         | Platte           |                   |
| 35   | 112728697/0 | 4    | Vite                  | Screw              | Vis               | Schraube         |                   |
| 36   | 322785304/0 | 2    | Supporto              | Support            | Support           | Halter           |                   |
| 36   | 322785304/0 | 2    | Supporto              | Support            | Support           | Halter           |                   |

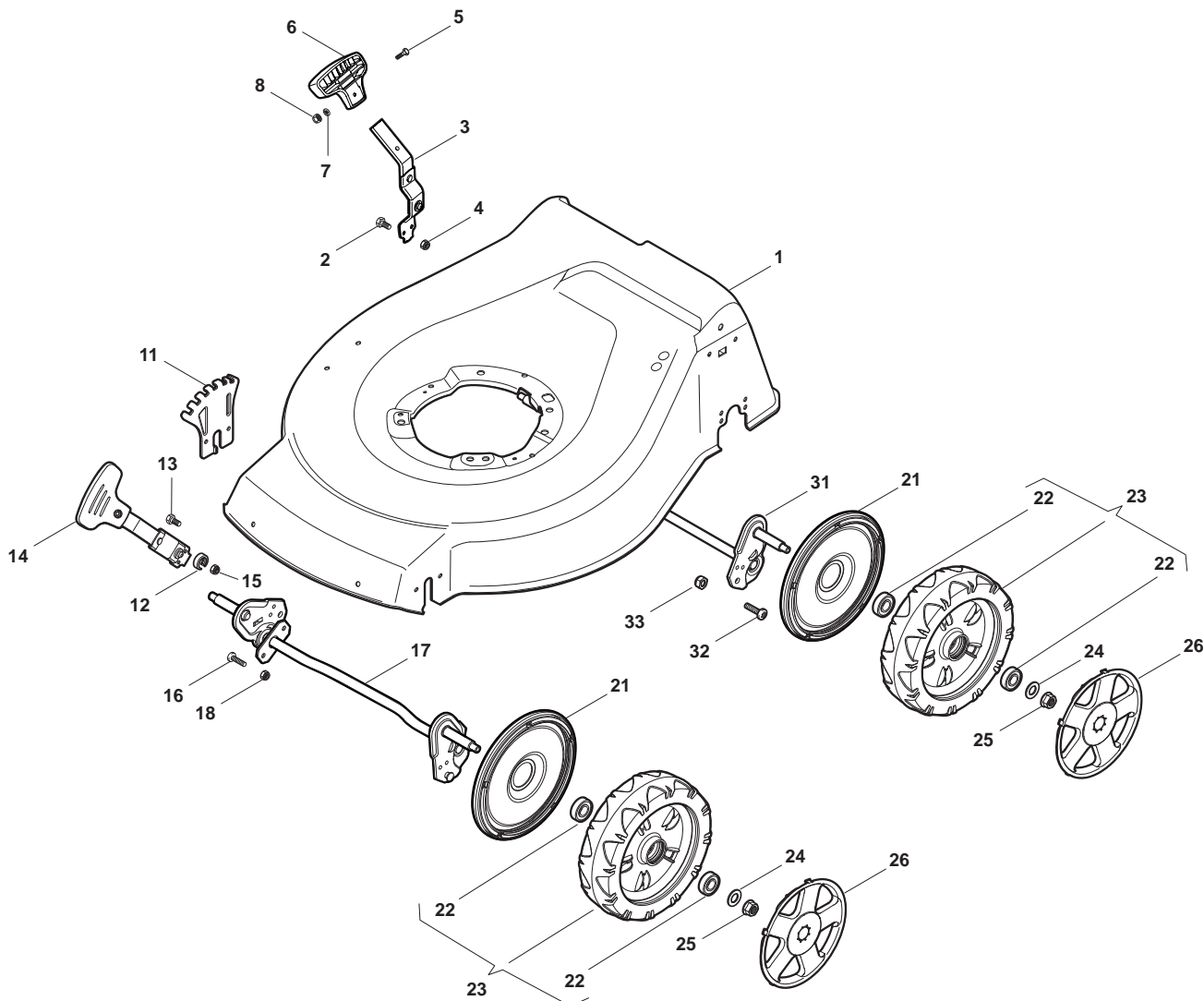
| NT  |       | NTL   |        |
|-----|-------|-------|--------|
| 480 | 480 Q | 480 W | 480 WQ |



| POS. | CODE        | Q.TY | DESCRIZIONE                    | DESCRIPTION              | DESCRIPTION             | BESCHREIBUNG            | REMARKS |
|------|-------------|------|--------------------------------|--------------------------|-------------------------|-------------------------|---------|
| 1    | 381003908/0 | 1    | Chassis Rosso                  | Deck Red                 | Châssis Rouge           | Gehäuse Rot             |         |
| 1    | 381003977/0 | 1    | Chassis Grigio                 | Deck Grey                | Châssis Gris            | Gehäuse Grau            |         |
| 1    | 381003914/0 | 1    | Chassis Giallo                 | Deck Yellow              | Châssis Jaune           | Gehäuse Gelb            |         |
| 1    | 381003916/0 | 1    | Chassis Nero                   | Deck Black               | Châssis Noir            | Gehäuse Schwarz         |         |
| 2    | 12789000/0  | 2    | Vite                           | Screw                    | Vis                     | Schraube                |         |
| 3    | 381003339/1 | 1    | Leva Regolazione<br>Altezza    | Lever, Height Adjustment | Levier, Reglage Hauteur | Hebel, Höheverstellung  |         |
| 4    | 12154330/0  | 2    | Dado                           | Nut                      | Ecrou                   | Mutter                  |         |
| 5    | 12788512/0  | 1    | Vite                           | Screw                    | Vis                     | Schraube                |         |
| 6    | 322394503/0 | 1    | Manopolina                     | Knob                     | Poignée                 | Griff                   |         |
| 7    | 12521310/0  | 1    | Rondella                       | Washer                   | Rondelle                | Scheibe                 |         |
| 8    | 12150000/0  | 1    | Dado                           | Nut                      | Ecrou                   | Mutter                  |         |
| 10   | 122943013/0 | 1    | Vite                           | Screw                    | Vis                     | Schraube                |         |
| 11   | 381002030/0 | 1    | Asta Comando Regol.<br>Altezza | Rod, Height Adjustment   | Tige Commande Reglage   | Stange, Höheverstellung |         |
| 12   | 112436051/0 | 1    | Piastrina                      | Plate                    | Plaquette               | Plättchen               |         |
| 13   | 112727803/0 | 3    | Vite                           | Screw                    | Vis                     | Schraube                |         |
| 14   | 12154510/0  | 3    | Dado                           | Nut                      | Ecrou                   | Mutter                  |         |

| POS. | CODE        | Q.TY | DESCRIZIONE           | DESCRIPTION        | DESCRIPTION       | BESCHREIBUNG     | REMARKS           |
|------|-------------|------|-----------------------|--------------------|-------------------|------------------|-------------------|
| 15   | 112727801/0 | 1    | Vite                  | Screw              | Vis               | Schraube         |                   |
| 16   | 381002883/0 | 1    | Asse Ruote Anteriori  | Axle, Front Wheels | Axe Roues Avant   | Achse, Vorderrad |                   |
| 17   | 12154510/0  | 1    | Dado                  | Nut                | Ecrou             | Mutter           |                   |
| 21   | 322600145/0 | 2    | Prot. Ruote           | Protection, Wheel  | Protection Roue   | Schütz, Räder    |                   |
| 22   | 19216035/0  | 8    | Cuscinetto            | Bearing            | Coussinet         | Lager            |                   |
| 23   | 381007416/0 | 2    | Ruota Ø 200           | Ruota Ø 200        | Roue Ø 200        | Rad Ø 200        |                   |
| 24   | 12521350/0  | 4    | Rondella              | Washer             | Rondelle          | Scheibe          |                   |
| 25   | 12155000/0  | 4    | Dado                  | Nut                | Ecrou             | Mutter           |                   |
| 26   | -           | 4    | Coprimozzo            | Hub Cap            | Couvre-Moyeu      | Radkappe         | (See Enclosure 2) |
| 27   | 322600194/0 | 2    | Prot. Ruote           | Protection, Wheel  | Protection Roue   | Schütz, Räder    |                   |
| 28   | 381007417/0 | 2    | Ruota Ø 280           | Ruota Ø 280        | Roue Ø 280        | Rad Ø 280        |                   |
| 29   | -           | 2    | Coprimozzo            | Hub Cap            | Couvre-Moyeu      | Radkappe         | (See Enclosure 3) |
| 31   | 381002893/0 | 1    | Asse Ruote Posteriori | Axle, Rear Wheels  | Axe Roues Arriere | Achse, Hinterrad |                   |
| 32   | 122450460/0 | 1    | Molla                 | Spring             | Ressort           | Feder            |                   |
| 33   | 112728697/0 | 4    | Vite                  | Screw              | Vis               | Schraube         |                   |
| 34   | 22545152/0  | 2    | Piastrina             | Plate              | Plaquette         | Platte           |                   |
| 35   | 112728697/0 | 4    | Vite                  | Screw              | Vis               | Schraube         |                   |
| 36   | 322785304/0 | 2    | Supporto              | Support            | Support           | Halter           |                   |

|     |       |       |        |  |
|-----|-------|-------|--------|--|
| NT  |       | NTL   |        |  |
| 480 | 480 Q | 480 W | 480 WQ |  |



| POS. | CODE        | Q.TY | DESCRIZIONE                    | DESCRIPTION                  | DESCRIPTION             | BESCHREIBUNG            | REMARKS |
|------|-------------|------|--------------------------------|------------------------------|-------------------------|-------------------------|---------|
| 1    | 381003912/0 | 1    | Chassis Rosso                  | Deck Red                     | Châssis Rouge           | Gehäuse Rot             |         |
| 1    | 381003917/0 | 1    | Chassis Nero                   | Deck Black                   | Châssis Noir            | Gehäuse Schwarz         |         |
| 2    | 12789000/0  | 2    | Vite                           | Screw                        | Vis                     | Schraube                |         |
| 3    | 381003339/1 | 1    | Leva Regolazione<br>Altezza    | Lever, Height Adjustment     | Levier, Reglage Hauteur | Hebel, Höheverstellung  |         |
| 4    | 12154330/0  | 2    | Dado                           | Nut                          | Ecrou                   | Mutter                  |         |
| 5    | 12788512/0  | 1    | Vite                           | Screw                        | Vis                     | Schraube                |         |
| 6    | 322394503/0 | 1    | Manopolina                     | Knob                         | Poignée                 | Griff                   |         |
| 7    | 12521310/0  | 1    | Rondella                       | Washer                       | Rondelle                | Scheibe                 |         |
| 8    | 12150000/0  | 1    | Dado                           | Nut                          | Ecrou                   | Mutter                  |         |
| 11   | 322735587/0 | 1    | Settore Regolazione<br>Altezza | Sector, Height<br>Adjustment | Secteur Reglage Hauteur | Sektor, Höheverstellung |         |
| 12   | 22171002/0  | 2    | Distanziale                    | Spacer                       | Entretoise              | Distanzring             |         |
| 13   | 12789000/0  | 2    | Vite                           | Screw                        | Vis                     | Schraube                |         |
| 14   | 381003351/0 | 1    | Leva Regolazione<br>Altezza    | Lever, Height Adjustment     | Levier Reglage Hauteur  | Hebel, Höheverstellung  |         |
| 15   | 12154330/0  | 2    | Dado                           | Nut                          | Ecrou                   | Mutter                  |         |

| POS. | CODE        | Q.TY | DESCRIZIONE           | DESCRIPTION        | DESCRIPTION       | BESCHREIBUNG     | REMARKS           |
|------|-------------|------|-----------------------|--------------------|-------------------|------------------|-------------------|
| 16   | 112727803/0 | 4    | Vite                  | Screw              | Vis               | Schraube         |                   |
| 17   | 381002881/0 | 1    | Asse Ruote Anteriori  | Axle, Front Wheels | Axe Roues Avant   | Achse, Vorderrad |                   |
| 18   | 12154510/0  | 4    | Dado                  | Nut                | Ecrou             | Mutter           |                   |
| 21   | 322600145/0 | 4    | Prot. Ruote           | Protection, Wheel  | Protection Roue   | Schütz, Räder    |                   |
| 22   | 19216035/0  | 8    | Cuscinetto            | Bearing            | Coussinet         | Lager            |                   |
| 23   | 381007416/0 | 4    | Ruota Ø 200           | Ruota Ø 200        | Roue Ø 200        | Rad Ø 200        |                   |
| 24   | 12521350/0  | 4    | Rondella              | Washer             | Rondelle          | Scheibe          |                   |
| 25   | 12155000/0  | 4    | Dado                  | Nut                | Ecrou             | Mutter           |                   |
| 26   | -           | 4    | Coprimozzo            | Hub Cap            | Couvre-Moyeu      | Radkappe         | (See Enclosure 2) |
| 31   | 381002889/0 | 1    | Asse Ruote Posteriori | Axle, Rear Wheels  | Axe Roues Arriere | Achse, Hinterrad |                   |
| 32   | 112727803/0 | 4    | Vite                  | Screw              | Vis               | Schraube         |                   |
| 33   | 12154510/0  | 4    | Dado                  | Nut                | Ecrou             | Mutter           |                   |

NT

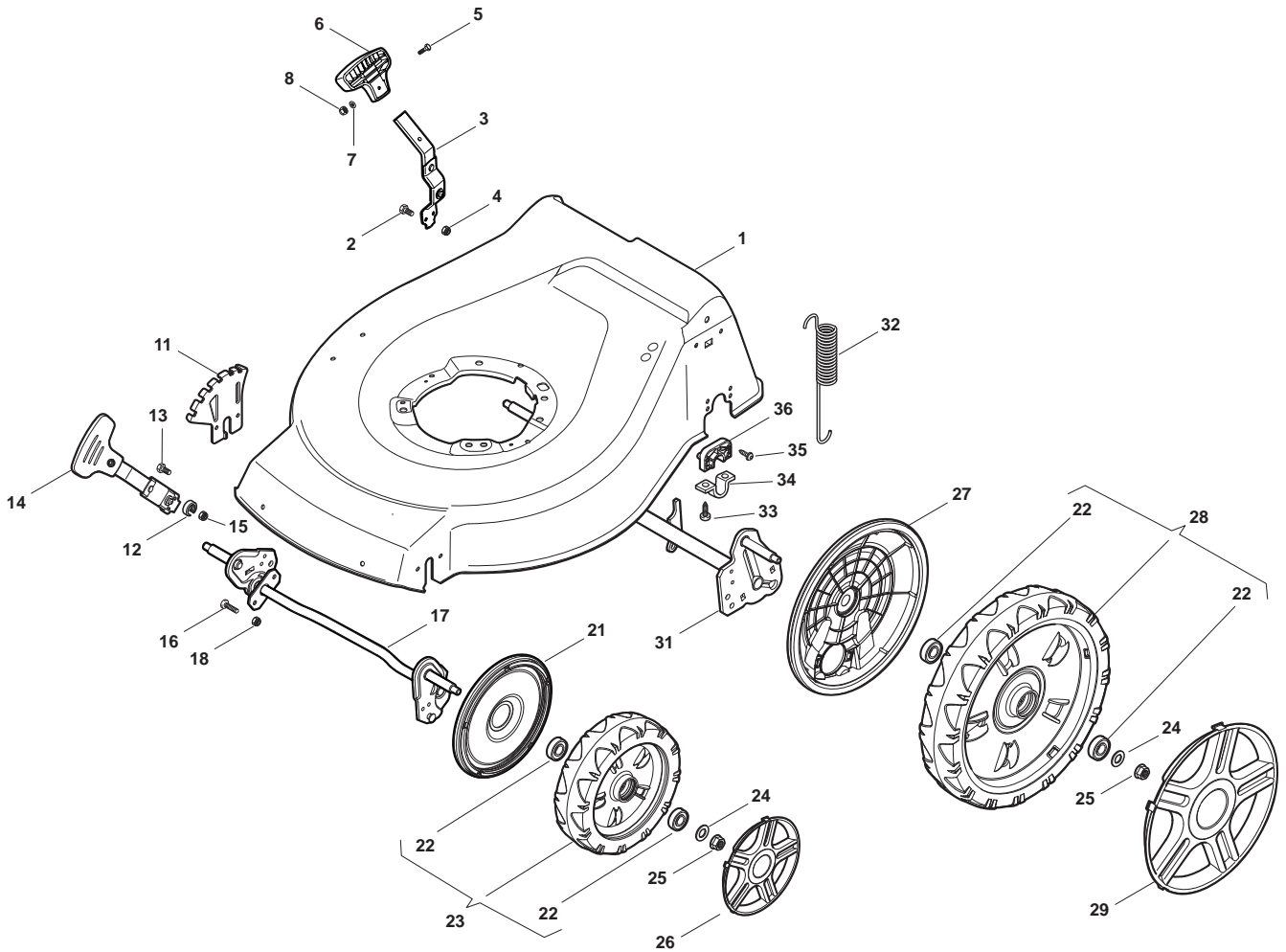
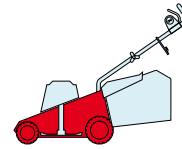
NTL

480

480 Q

480 W

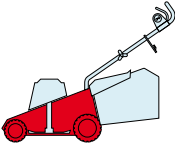
480 WQ

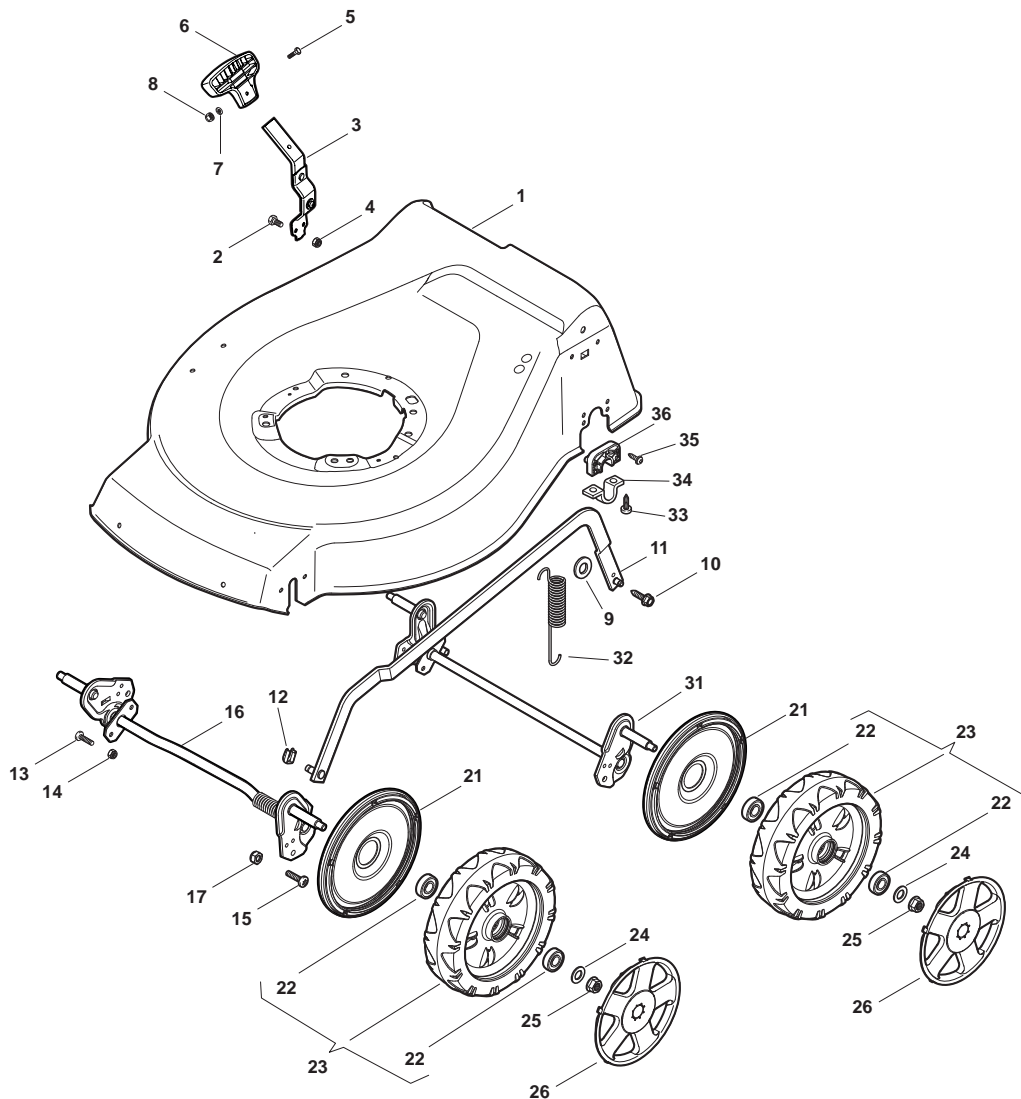


| POS. | CODE        | Q.TY | DESCRIZIONE                    | DESCRIPTION                  | DESCRIPTION             | BESCHREIBUNG            | REMARKS |
|------|-------------|------|--------------------------------|------------------------------|-------------------------|-------------------------|---------|
| 1    | 381003912/0 | 1    | Chassis Rosso                  | Deck Red                     | Châssis Rouge           | Gehäuse Rot             |         |
| 1    | 381003917/0 | 1    | Chassis Nero                   | Deck Black                   | Châssis Noir            | Gehäuse Schwarz         |         |
| 2    | 12789000/0  | 2    | Vite                           | Screw                        | Vis                     | Schraube                |         |
| 3    | 381003341/1 | 1    | Leva Regolazione<br>Altezza    | Lever, Height Adjustment     | Levier, Reglage Hauteur | Hebel, Höheverstellung  |         |
| 4    | 12154330/0  | 2    | Dado                           | Nut                          | Ecrou                   | Mutter                  |         |
| 5    | 12788512/0  | 1    | Vite                           | Screw                        | Vis                     | Schraube                |         |
| 6    | 322394503/0 | 1    | Manopolina                     | Knob                         | Poignée                 | Griff                   |         |
| 7    | 12521310/0  | 1    | Rondella                       | Washer                       | Rondelle                | Scheibe                 |         |
| 8    | 12150000/0  | 1    | Dado                           | Nut                          | Ecrou                   | Mutter                  |         |
| 11   | 322735589/0 | 1    | Settore Regolazione<br>Altezza | Sector, Height<br>Adjustment | Secteur Reglage Hauteur | Sektor, Höheverstellung |         |
| 12   | 22171002/0  | 2    | Distanziale                    | Spacer                       | Entretoise              | Distanzring             |         |
| 13   | 12789000/0  | 2    | Vite                           | Screw                        | Vis                     | Schraube                |         |
| 14   | 381003351/0 | 1    | Leva Regolazione<br>Altezza    | Lever, Height Adjustment     | Levier Reglage Hauteur  | Hebel, Höheverstellung  |         |
| 15   | 12154330/0  | 2    | Dado                           | Nut                          | Ecrou                   | Mutter                  |         |
| 16   | 112727803/0 | 4    | Vite                           | Screw                        | Vis                     | Schraube                |         |

| POS. | CODE        | Q.TY | DESCRIZIONE           | DESCRIPTION        | DESCRIPTION       | BESCHREIBUNG     | REMARKS           |
|------|-------------|------|-----------------------|--------------------|-------------------|------------------|-------------------|
| 17   | 381002881/0 | 1    | Asse Ruote Anteriori  | Axle, Front Wheels | Axe Roues Avant   | Achse, Vorderrad |                   |
| 18   | 12154510/0  | 4    | Dado                  | Nut                | Ecrou             | Mutter           |                   |
| 21   | 322600145/0 | 2    | Prot. Ruote           | Protection, Wheel  | Protection Roue   | Schütz, Räder    |                   |
| 22   | 19216035/0  | 8    | Cuscinetto            | Bearing            | Coussinet         | Lager            |                   |
| 23   | 381007416/0 | 2    | Ruota Ø 200           | Ruota Ø 200        | Roue Ø 200        | Rad Ø 200        |                   |
| 24   | 12521350/0  | 4    | Rondella              | Washer             | Rondelle          | Scheibe          |                   |
| 25   | 12155000/0  | 4    | Dado                  | Nut                | Ecrou             | Mutter           |                   |
| 26   | -           | 2    | Coprimozzo            | Hub Cap            | Couvre-Moyeu      | Radkappe         | (See Enclosure 2) |
| 27   | 322600194/0 | 2    | Prot. Ruote           | Protection, Wheel  | Protection Roue   | Schütz, Räder    |                   |
| 28   | 381007417/0 | 2    | Ruota Ø 280           | Ruota Ø 280        | Roue Ø 280        | Rad Ø 280        |                   |
| 29   | -           | 2    | Coprimozzo            | Hub Cap            | Couvre-Moyeu      | Radkappe         | (See Enclosure 3) |
| 31   | 381002893/0 | 1    | Asse Ruote Posteriori | Axle, Rear Wheels  | Axe Roues Arriere | Achse, Hinterrad |                   |
| 32   | 122450460/0 | 1    | Molla                 | Spring             | Ressort           | Feder            |                   |
| 33   | 112728697/0 | 4    | Vite                  | Screw              | Vis               | Schraube         |                   |
| 34   | 22545152/0  | 2    | Piastrina             | Plate              | Plaquette         | Platte           |                   |
| 35   | 112728697/0 | 4    | Vite                  | Screw              | Vis               | Schraube         |                   |
| 36   | 322785304/0 | 2    | Supporto              | Support            | Support           | Halter           |                   |

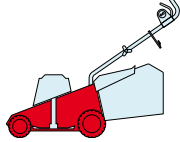


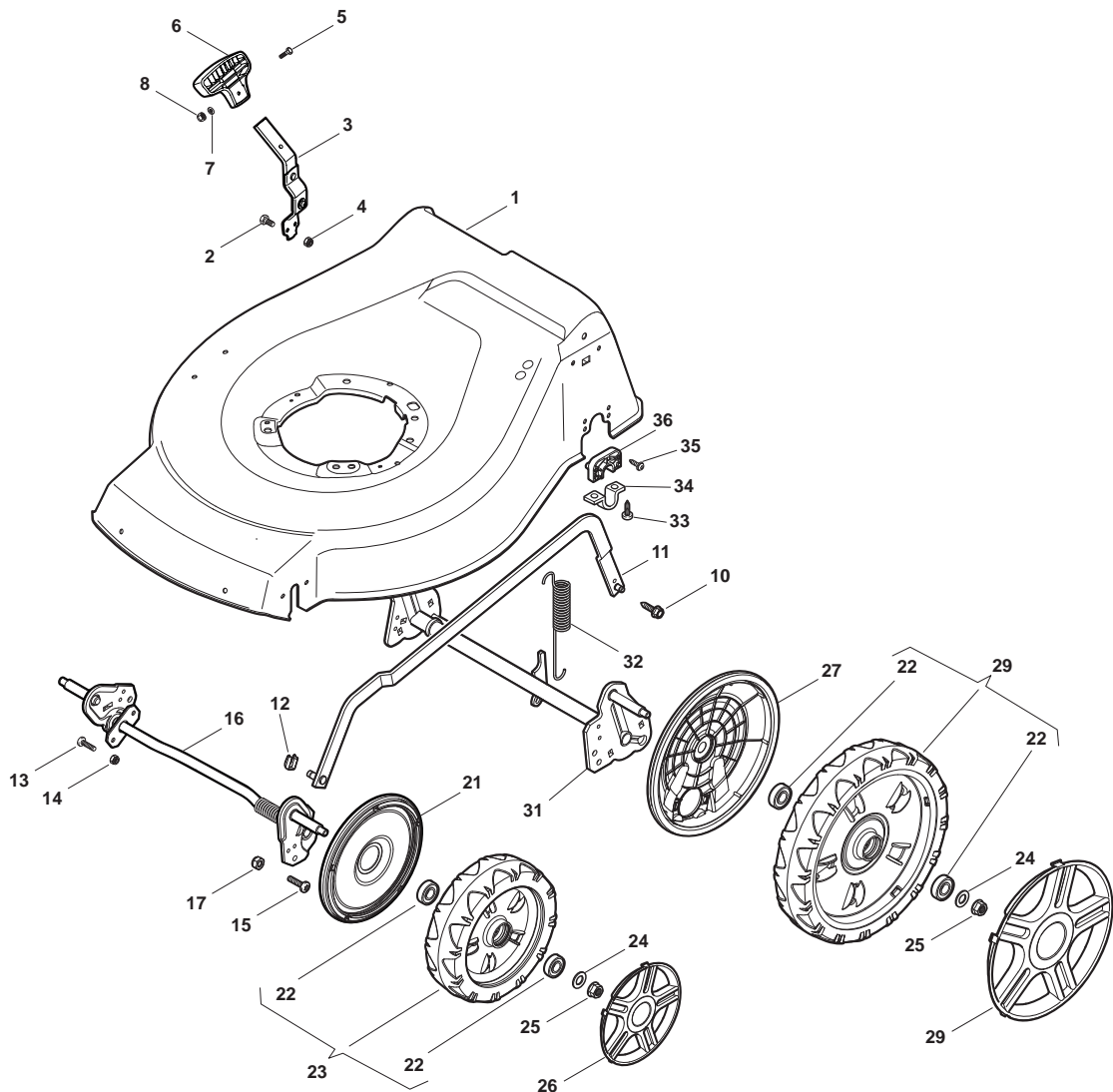
|     |       |       |        |  |
|-----|-------|-------|--------|--|
| NT  |       | NTL   |        |  |
| 480 | 480 Q | 480 W | 480 WQ |  |



| POS. | CODE        | Q.TY | DESCRIZIONE                    | DESCRIPTION              | DESCRIPTION                      | BESCHREIBUNG            | REMARKS |
|------|-------------|------|--------------------------------|--------------------------|----------------------------------|-------------------------|---------|
| 1    | 381003912/0 | 1    | Chassis Rosso                  | Deck Red                 | Châssis Rouge                    | Gehäuse Rot             |         |
| 1    | 381003917/0 | 1    | Chassis Nero                   | Deck Black               | Châssis Noir                     | Gehäuse Schwarz         |         |
| 2    | 12789000/0  | 2    | Vite                           | Screw                    | Vis                              | Schraube                |         |
| 3    | 381003339/1 | 1    | Leva Regolazione<br>Altezza    | Lever, Height Adjustment | Levier, Reglage Hauteur          | Hebel, Höheverstellung  |         |
| 4    | 12154330/0  | 2    | Dado                           | Nut                      | Ecrou                            | Mutter                  |         |
| 5    | 12788512/0  | 1    | Vite                           | Screw                    | Vis                              | Schraube                |         |
| 6    | 322394503/0 | 1    | Manopolina                     | Knob                     | Poignée                          | Griff                   |         |
| 7    | 12521310/0  | 1    | Rondella                       | Washer                   | Rondelle                         | Scheibe                 |         |
| 8    | 12150000/0  | 1    | Dado                           | Nut                      | Ecrou                            | Mutter                  |         |
| 9    | 12369500/0  | 1    | Disco Elastico                 | Elastic Washer           | Disque Elastique                 | Federscheibe            |         |
| 10   | 122943013/0 | 1    | Vite                           | Screw                    | Vis                              | Schraube                |         |
| 11   | 381002029/0 | 1    | Asta Comando Regol.<br>Altezza | Rod, Height Adjustment   | Tige Commande Reglage<br>Hauteur | Stange, Höheverstellung |         |
| 12   | 112436051/0 | 1    | Piastrina                      | Plate                    | Plaquette                        | Plättchen               |         |
| 13   | 112727803/0 | 3    | Vite                           | Screw                    | Vis                              | Schraube                |         |
| 14   | 12154510/0  | 3    | Dado                           | Nut                      | Ecrou                            | Mutter                  |         |
| 15   | 112727801/0 | 1    | Vite                           | Screw                    | Vis                              | Schraube                |         |

| POS. | CODE        | Q.TY | DESCRIZIONE           | DESCRIPTION        | DESCRIPTION       | BESCHREIBUNG     | REMARKS           |
|------|-------------|------|-----------------------|--------------------|-------------------|------------------|-------------------|
| 16   | 381002883/0 | 1    | Asse Ruote Anteriori  | Axle, Front Wheels | Axe Roues Avant   | Achse, Vorderrad |                   |
| 17   | 12154510/0  | 1    | Dado                  | Nut                | Ecrou             | Mutter           |                   |
| 21   | 322600145/0 | 4    | Prot. Ruote           | Protection, Wheel  | Protection Roue   | Schütz, Räder    |                   |
| 22   | 19216035/0  | 8    | Cuscinetto            | Bearing            | Coussinet         | Lager            |                   |
| 23   | 381007416/0 | 4    | Ruota Ø 200           | Ruota Ø 200        | Roue Ø 200        | Rad Ø 200        |                   |
| 24   | 12521350/0  | 4    | Rondella              | Washer             | Rondelle          | Scheibe          |                   |
| 25   | 12155000/0  | 4    | Dado                  | Nut                | Ecrou             | Mutter           |                   |
| 26   | -           | 4    | Coprimozzo            | Hub Cap            | Couvre-Moyeu      | Radkappe         | (See Enclosure 2) |
| 31   | 381002889/0 | 1    | Asse Ruote Posteriori | Axle, Rear Wheels  | Axe Roues Arriere | Achse, Hinterrad |                   |
| 32   | 122450460/0 | 1    | Molla                 | Spring             | Ressort           | Feder            |                   |
| 33   | 112728697/0 | 4    | Vite                  | Screw              | Vis               | Schraube         |                   |
| 34   | 22545152/0  | 2    | Piastrina             | Plate              | Plaquette         | Platte           |                   |
| 35   | 112728697/0 | 4    | Vite                  | Screw              | Vis               | Schraube         |                   |
| 36   | 322785304/0 | 2    | Supporto              | Support            | Support           | Halter           |                   |

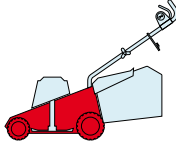
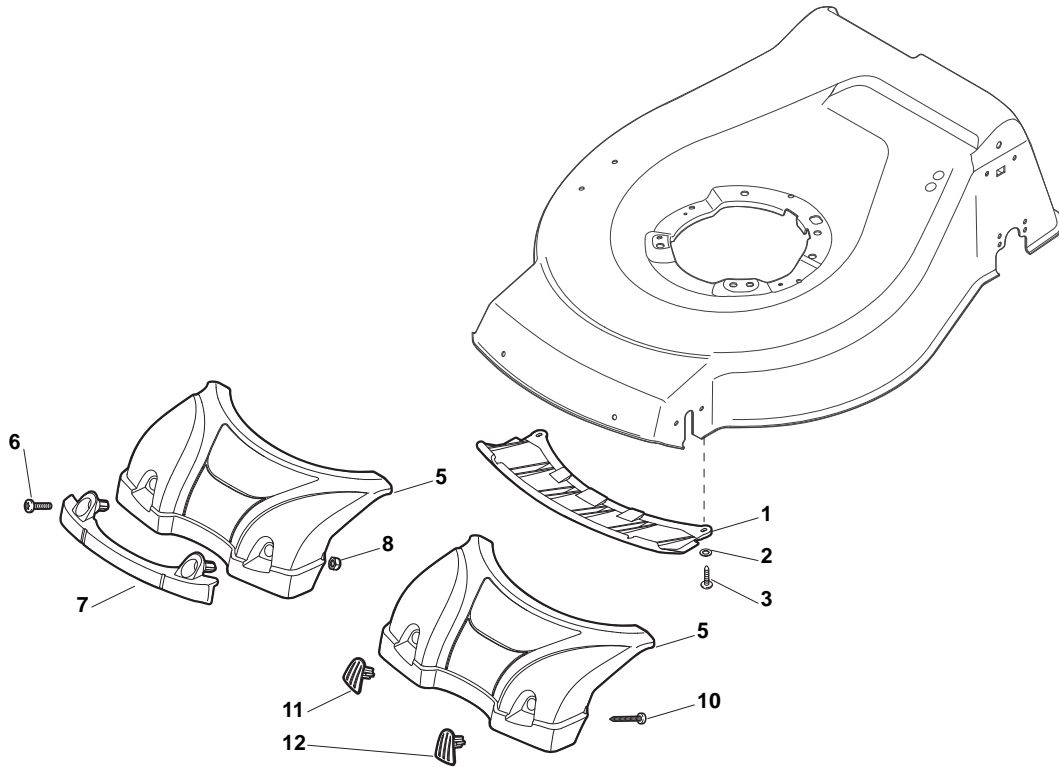
|     |       |       |        |  |
|-----|-------|-------|--------|--|
| NT  |       | NTL   |        |  |
| 480 | 480 Q | 480 W | 480 WQ |  |



| POS. | CODE        | Q.TY | DESCRIZIONE                    | DESCRIPTION              | DESCRIPTION             | BESCHREIBUNG            | REMARKS |
|------|-------------|------|--------------------------------|--------------------------|-------------------------|-------------------------|---------|
| 1    | 381003912/0 | 1    | Chassis Rosso                  | Deck Red                 | Châssis Rouge           | Gehäuse Rot             |         |
| 1    | 381003917/0 | 1    | Chassis Nero                   | Deck Black               | Châssis Noir            | Gehäuse Schwarz         |         |
| 2    | 12789000/0  | 2    | Vite                           | Screw                    | Vis                     | Schraube                |         |
| 3    | 381003339/1 | 1    | Leva Regolazione<br>Altezza    | Lever, Height Adjustment | Levier, Reglage Hauteur | Hebel, Höheverstellung  |         |
| 4    | 12154330/0  | 2    | Dado                           | Nut                      | Ecrou                   | Mutter                  |         |
| 5    | 12788512/0  | 1    | Vite                           | Screw                    | Vis                     | Schraube                |         |
| 6    | 322394503/0 | 1    | Manopolina                     | Knob                     | Poignée                 | Griff                   |         |
| 7    | 12521310/0  | 1    | Rondella                       | Washer                   | Rondelle                | Scheibe                 |         |
| 8    | 12150000/0  | 1    | Dado                           | Nut                      | Ecrou                   | Mutter                  |         |
| 10   | 122943013/0 | 1    | Vite                           | Screw                    | Vis                     | Schraube                |         |
| 11   | 381002030/0 | 1    | Asta Comando Regol.<br>Altezza | Rod, Height Adjustment   | Tige Commande Reglage   | Stange, Höheverstellung |         |
| 12   | 112436051/0 | 1    | Piastrina                      | Plate                    | Plaquette               | Plättchen               |         |
| 13   | 112727803/0 | 3    | Vite                           | Screw                    | Vis                     | Schraube                |         |
| 14   | 12154510/0  | 3    | Dado                           | Nut                      | Ecrou                   | Mutter                  |         |
| 15   | 112727801/0 | 1    | Vite                           | Screw                    | Vis                     | Schraube                |         |
| 16   | 381002883/0 | 1    | Asse Ruote Anteriori           | Axle, Front Wheels       | Axe Roues Avant         | Achse, Vorderrad        |         |

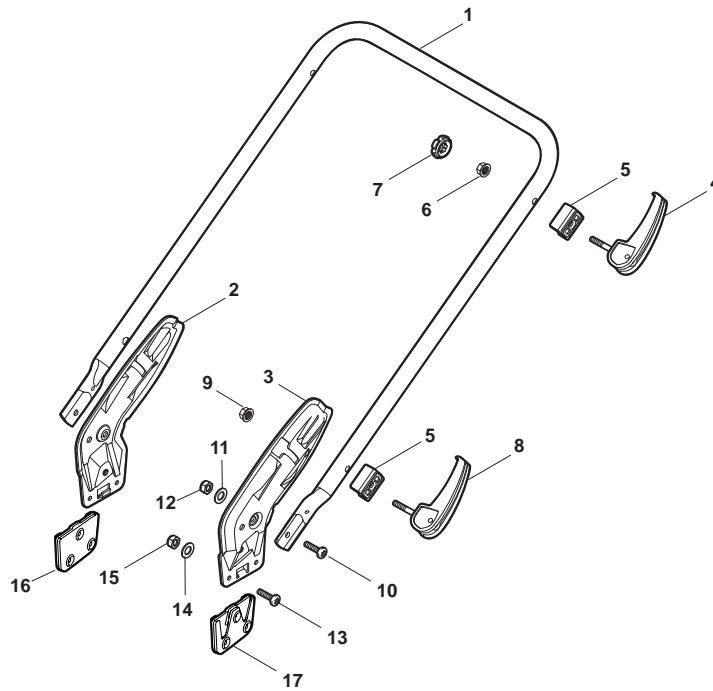
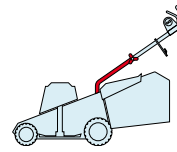
| POS. | CODE        | Q.TY | DESCRIZIONE           | DESCRIPTION       | DESCRIPTION       | BESCHREIBUNG     | REMARKS           |
|------|-------------|------|-----------------------|-------------------|-------------------|------------------|-------------------|
| 17   | 12154510/0  | 1    | Dado                  | Nut               | Ecrou             | Mutter           |                   |
| 21   | 322600145/0 | 2    | Prot. Ruote           | Protection, Wheel | Protection Roue   | Schütz, Räder    |                   |
| 22   | 19216035/0  | 8    | Cuscinetto            | Bearing           | Coussinet         | Lager            |                   |
| 23   | 381007416/0 | 2    | Ruota Ø 200           | Ruota Ø 200       | Roue Ø 200        | Rad Ø 200        |                   |
| 24   | 12521350/0  | 4    | Rondella              | Washer            | Rondelle          | Scheibe          |                   |
| 25   | 12155000/0  | 4    | Dado                  | Nut               | Ecrou             | Mutter           |                   |
| 26   | -           | 4    | Coprimozzo            | Hub Cap           | Couvre-Moyeu      | Radkappe         | (See Enclosure 2) |
| 27   | 322600194/0 | 2    | Prot. Ruote           | Protection, Wheel | Protection Roue   | Schütz, Räder    |                   |
| 28   | 381007417/0 | 2    | Ruota Ø 280           | Ruota Ø 280       | Roue Ø 280        | Rad Ø 280        |                   |
| 29   | -           | 2    | Coprimozzo            | Hub Cap           | Couvre-Moyeu      | Radkappe         | (See Enclosure 3) |
| 31   | 381002893/0 | 1    | Asse Ruote Posteriori | Axle, Rear Wheels | Axe Roues Arriere | Achse, Hinterrad |                   |
| 32   | 122450460/0 | 1    | Molla                 | Spring            | Ressort           | Feder            |                   |
| 33   | 112728697/0 | 4    | Vite                  | Screw             | Vis               | Schraube         |                   |
| 34   | 22545152/0  | 2    | Piastrina             | Plate             | Plaquette         | Platte           |                   |
| 35   | 112728697/0 | 4    | Vite                  | Screw             | Vis               | Schraube         |                   |
| 36   | 322785304/0 | 2    | Supporto              | Support           | Support           | Halter           |                   |

| NT  |       | NTL   |        |
|-----|-------|-------|--------|
| 480 | 480 Q | 480 W | 480 WQ |

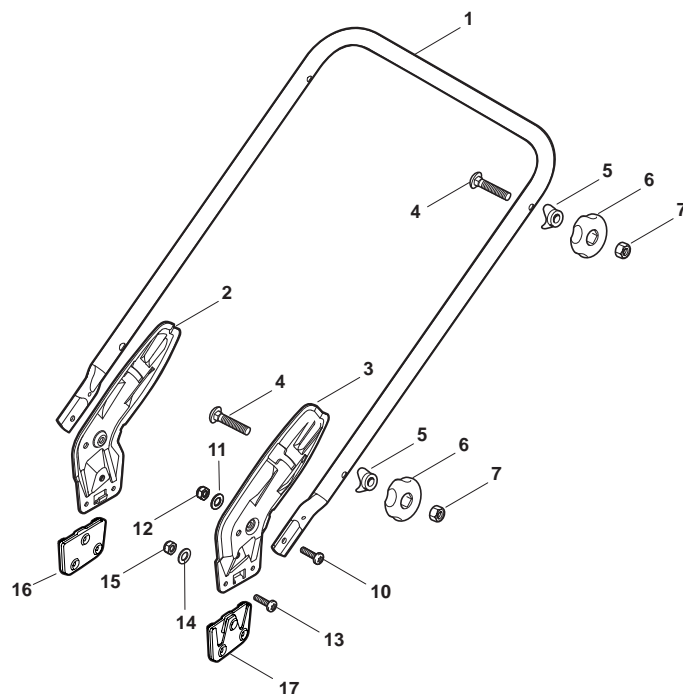
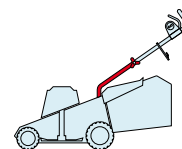
| POS. | CODE        | Q.TY | DESCRIZIONE         | DESCRIPTION      | DESCRIPTION         | BESCHREIBUNG   | REMARKS |
|------|-------------|------|---------------------|------------------|---------------------|----------------|---------|
| 1    | 322500102/0 | 1    | Griglia Aspirazione | Air Intake Grill | Grille D'Aspiration | Ansauggitter   | 484     |
| 2    | 112523000/1 | 2    | Rosetta             | Washer           | Rondelle            | Scheibe        |         |
| 3    | 12728124/0  | 2    | Vite                | Screw            | Vis                 | Schraube       |         |
| 5    | 322226143/0 | 1    | Mascherina, Rosso   | Mask, Red        | Mesque, Rouge       | Maske, Rot     | 484     |
| 5    | 322226153/0 | 1    | Mascherina, Nero    | Mask, Black      | Mesque, Noire       | Maske, Schwarz | 484     |
| 5    | 322226155/0 | 1    | Mascherina, Giallo  | Mask, Yellow     | Mesque, Jaune       | Maske, Gelb    | 484     |
| 6    | 112727799/0 | 2    | Vite                | Screw            | Vis                 | Schraube       |         |
| 7    | 322393638/0 | 1    | Maniglia, Nero      | Handle, Black    | Poignee, Noire      | Griff, Schwarz |         |
| 7    | 322393639/0 | 1    | Maniglia, Grigio    | Handle, Grey     | Poignee, Gris       | Griff, Grau    |         |
| 8    | 12154510/0  | 2    | Dado                | Nut              | Ecrou               | Mutter         |         |
| 10   | 112728697/0 | 2    | Vite                | Screw            | Vis                 | Schraube       |         |
| 11   | 322820082/0 | 1    | Tappo               | Cap              | Bouchon             | Gummistopfen   |         |
| 12   | 322820083/0 | 1    | Tappo               | Cap              | Bouchon             | Gummistopfen   |         |

| NT  |       | NTL   |        |
|-----|-------|-------|--------|
| 480 | 480 Q | 480 W | 480 WQ |



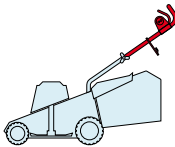
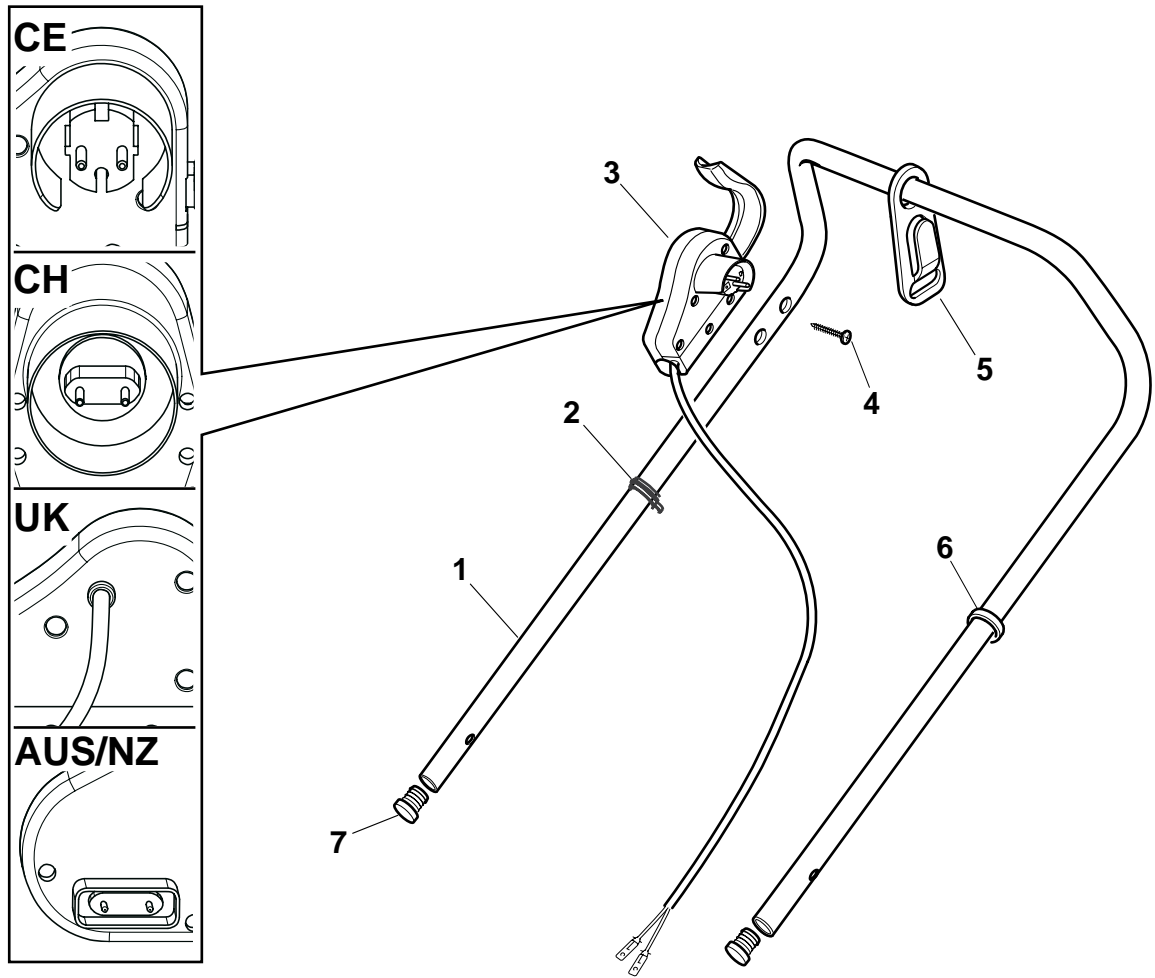
| POS. | CODE        | Q.TY | DESCRIZIONE          | DESCRIPTION        | DESCRIPTION                  | BESCHREIBUNG       | REMARKS |
|------|-------------|------|----------------------|--------------------|------------------------------|--------------------|---------|
| 1    | 381006889/0 | 1    | Manico, Parte Inf    | Handle, Lower Part | Mancheron, Partie Inferieure | Holm, Unterteil    |         |
| 2    | 381005129/0 | 1    | Staffa Dx            | Bracket, R         | Bride D                      | Pratze, Rechte     |         |
| 3    | 381005131/0 | 1    | Staffa Sx            | Bracket, L         | Bride G                      | Pratze, Linke      |         |
| 4    | 381003253/0 | 2    | Maniglia             | Handle             | Poignee                      | Griff              |         |
| 5    | 322680016/0 | 4    | Supporto             | Support            | Support                      | Halter             |         |
| 6    | 22131750/0  | 2    | Dado                 | Nut                | Ecrou                        | Mutter             |         |
| 7    | 322399835/0 | 2    | Manopolina           | Knob               | Poignée                      | Griff              |         |
| 8    | 381003254/0 | 2    | Maniglia             | Handle             | Poignee                      | Griff              |         |
| 9    | 112154220/0 | 2    | Dado                 | Nut                | Ecrou                        | Mutter             |         |
| 10   | 12760605/0  | 2    | Vite                 | Screw              | Vis                          | Schraube           |         |
| 11   | 12521350/0  | 2    | Rosetta              | Washer             | Rondelle                     | Scheibe            |         |
| 12   | 12155000/0  | 2    | Dado                 | Nut                | Ecrou                        | Mutter             |         |
| 13   | 112727803/0 | 6    | Vite                 | Screw              | Vis                          | Schraube           |         |
| 14   | 12523040/0  | 6    | Rosetta              | Washer             | Rondelle                     | Scheibe            |         |
| 15   | 12154510/0  | 6    | Dado                 | Nut                | Ecrou                        | Mutter             |         |
| 16   | 322551580/0 | 1    | Piastrina Isolamento | Isolation Plate    | Plaquette De Isolement       | Absonderung Platte |         |
| 17   | 322551581/0 | 1    | Piastrina Isolamento | Isolation Plate    | Plaquette De Isolement       | Absonderung Platte |         |

| NT  |       | NTL   |        |
|-----|-------|-------|--------|
| 480 | 480 Q | 480 W | 480 WQ |



| POS. | CODE        | Q.TY | DESCRIZIONE          | DESCRIPTION        | DESCRIPTION                  | BESCHREIBUNG       | REMARKS |
|------|-------------|------|----------------------|--------------------|------------------------------|--------------------|---------|
| 1    | 381006889/0 | 1    | Manico, Parte Inf    | Handle, Lower Part | Mancheron, Partie Inferieure | Holm, Unterteil    |         |
| 2    | 381005129/0 | 1    | Staffa Dx            | Bracket, R         | Bride D                      | Pratze, Rechte     |         |
| 3    | 381005131/0 | 1    | Staffa Sx            | Bracket, L         | Bride G                      | Pratze, Linke      |         |
| 4    | 12819120/0  | 4    | Vite                 | Screw              | Vis                          | Schraube           |         |
| 5    | 22680006/1  | 4    | Rosetta              | Washer             | Rondelle                     | Scheibe            |         |
| 6    | 322399804/1 | 4    | Manopolina           | Knob               | Poignée                      | Griff              |         |
| 7    | 12293200/0  | 4    | Dado                 | Nut                | Ecrou                        | Mutter             |         |
| 10   | 12760605/0  | 2    | Vite                 | Screw              | Vis                          | Schraube           |         |
| 11   | 12521350/0  | 2    | Rosetta              | Washer             | Rondelle                     | Scheibe            |         |
| 12   | 12155000/0  | 2    | Dado                 | Nut                | Ecrou                        | Mutter             |         |
| 13   | 112727803/0 | 6    | Vite                 | Screw              | Vis                          | Schraube           |         |
| 14   | 12523040/0  | 6    | Rosetta              | Washer             | Rondelle                     | Scheibe            |         |
| 15   | 12154510/0  | 6    | Dado                 | Nut                | Ecrou                        | Mutter             |         |
| 16   | 322551580/0 | 1    | Piastrina Isolamento | Isolation Plate    | Plaquette De Isolement       | Absonderung Platte |         |
| 17   | 322551581/0 | 1    | Piastrina Isolamento | Isolation Plate    | Plaquette De Isolement       | Absonderung Platte |         |

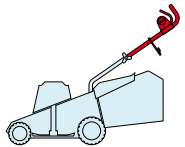
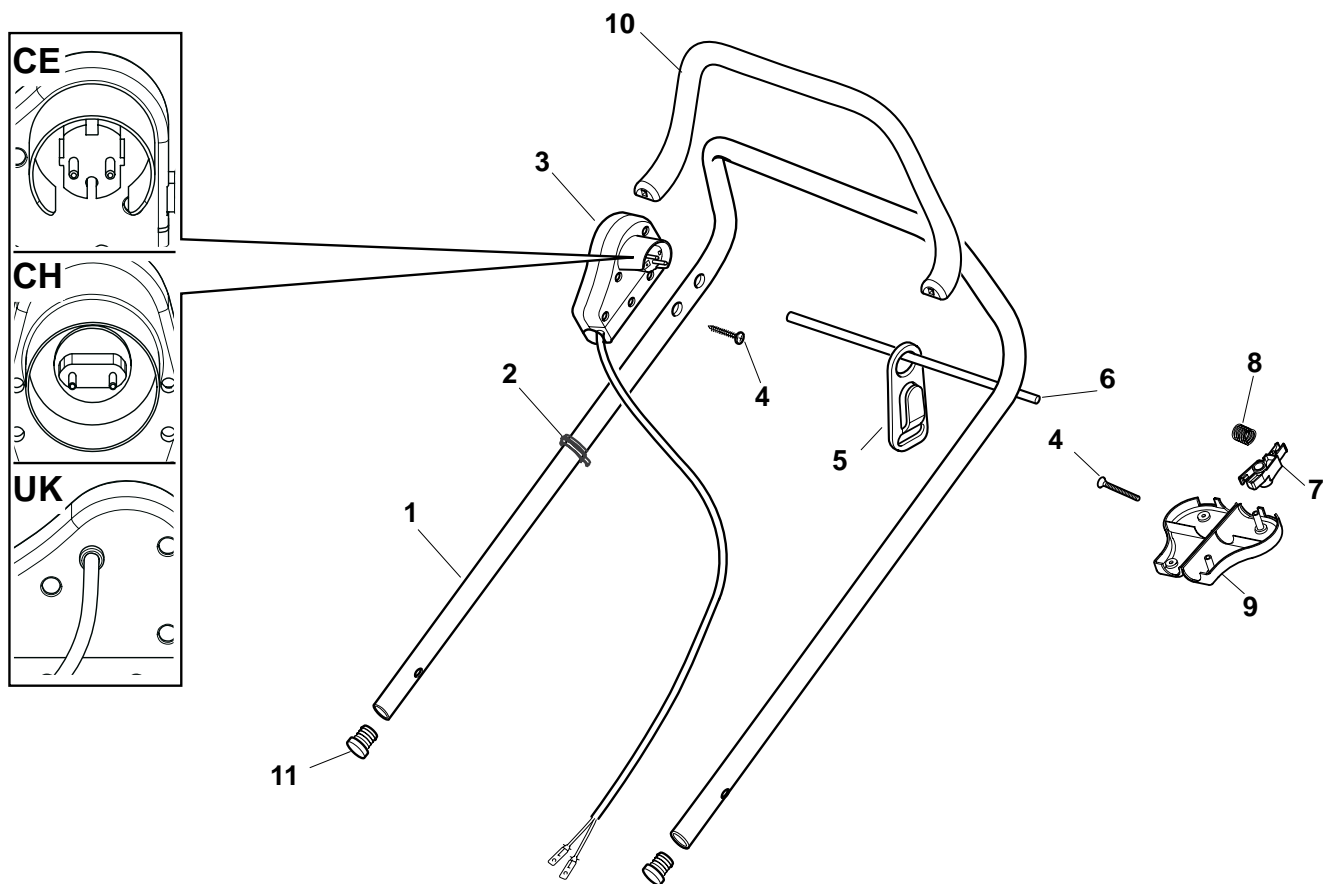
| NT  |       | NTL   |        |
|-----|-------|-------|--------|
| 480 | 480 Q | 480 W | 480 WQ |

| POS. | CODE       | Q.TY | DESCRIZIONE       | DESCRIPTION        | DESCRIPTION                  | BESCHREIBUNG     | REMARKS |
|------|------------|------|-------------------|--------------------|------------------------------|------------------|---------|
| 1    | 81007037/1 | 1    | Manico, Parte Sup | Handle, Upper Part | Mancheron, Partie Supérieure | Holm, Oberteil   |         |
| 2    | 22192000/1 | 2    | Fascetta          | Anchor Clamp       | Collier Ancrage              | Bowdenzughalter  |         |
| 3    | 81600500/1 | 1    | Salvatore         | Dead Hand Switch   | Int. Main Morte              | Tot Manschalter  | CE      |
| 3    | 81600501/1 | 1    | Salvatore         | Dead Hand Switch   | Int. Main Morte              | Tot Manschalter  | CH      |
| 3    | 81600502/1 | 1    | Salvatore         | Dead Hand Switch   | Int. Main Morte              | Tot Manschalter  | UK      |
| 3    | 18710628/0 | 1    | Salvatore         | Dead Hand Switch   | Int. Main Morte              | Tot Manschalter  | AUS/NZ  |
| 4    | 12728701/0 | 2    | Vite              | Screw              | Vis                          | Schraube         |         |
| 5    | 22195101/4 | 1    | Fermacavo         | Fairlead           | Fixation Cable               | Kabelbefestigung |         |
| 6    | 22192151/0 | 1    | Fermacavo         | Fairlead           | Fixation Cable               | Kabelbefestigung |         |
| 7    | 18566112/0 | 2    | Puntale           | Cap                | Bouchon                      | Gummistopfen     |         |

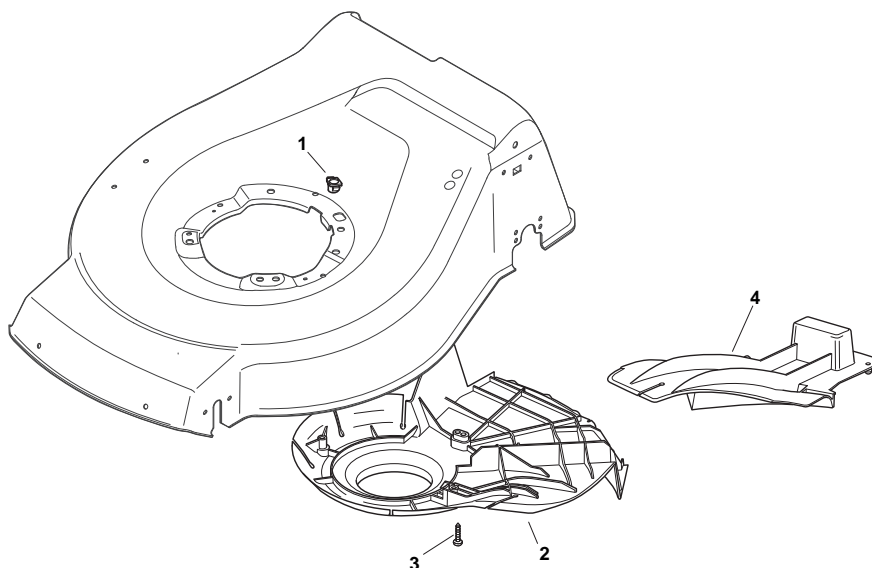
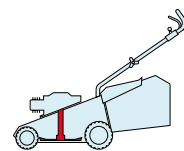


| NT  |       | NTL   |        |
|-----|-------|-------|--------|
| 480 | 480 Q | 480 W | 480 WQ |

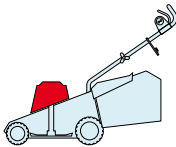
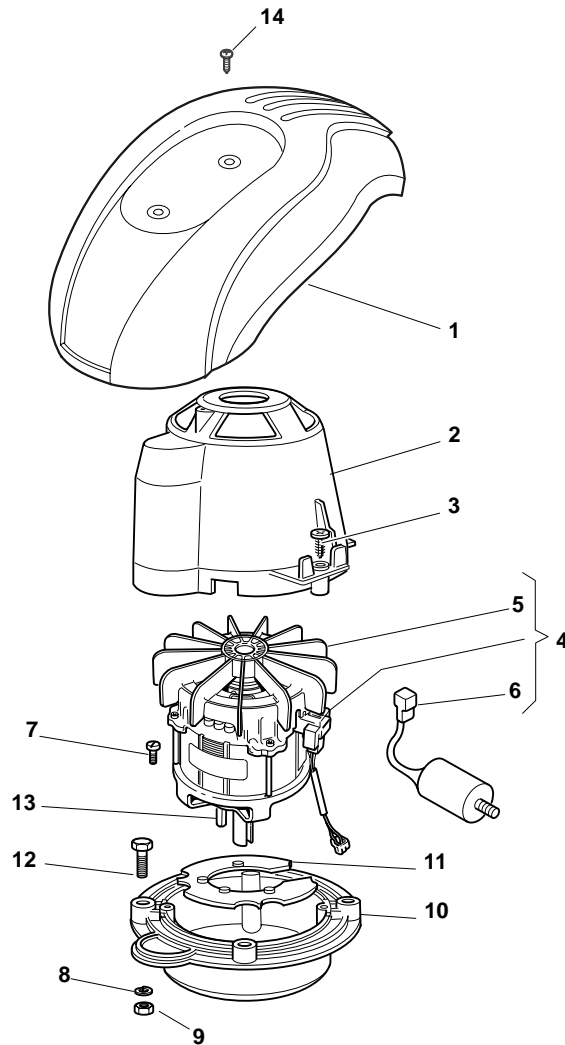
| POS. | CODE        | Q.TY | DESCRIZIONE               | DESCRIPTION           | DESCRIPTION                  | BESCHREIBUNG        | REMARKS |
|------|-------------|------|---------------------------|-----------------------|------------------------------|---------------------|---------|
| 1    | 81007037/1  | 1    | Manico, Parte Sup         | Handle, Upper Part    | Mancheron, Partie Superieure | Holm, Oberteil      |         |
| 2    | 22192000/1  | 2    | Fascetta                  | Anchor Clamp          | Collier Ancrage              | Bowdenzughalter     |         |
| 3    | 381600503/2 | 1    | Salvatore                 | Dead Hand Switch      | Int. Main Morte              | Tot Manschalter     | CE      |
| 3    | 381600505/2 | 1    | Salvatore                 | Dead Hand Switch      | Int. Main Morte              | Tot Manschalter     | UK      |
| 3    | 381600504/2 | 1    | Salvatore                 | Dead Hand Switch      | Int. Main Morte              | Tot Manschalter     | CH      |
| 4    | 12728701/0  | 4    | Vite                      | Screw                 | Vis                          | Schraube            |         |
| 5    | 22195101/4  | 1    | Fermacavo                 | Fairlead              | Fixation Cable               | Kabelbefestigung    |         |
| 6    | 22010251/0  | 1    | Asta Aggancio Fermacavo   | Rod, Fairlead Bearing | Tige Support Serrecable      | Stange, Kabelhalter |         |
| 7    | 322230350/1 | 1    | Fulcro                    | Fulcrum Pin           | Point D'Appui                | Gelenkpunkt         |         |
| 8    | 22450115/0  | 1    | Molla                     | Spring                | Ressort                      | Feder               |         |
| 9    | 22785144/0  | 1    | Supporto                  | Support               | Support                      | Halter              |         |
| 10   | 322322881/1 | 1    | Leva Freno Motore, Nero   | Lever, Engine Brake   | Levier Frein Moteur          | Hebel, Motorbremse  |         |
| 10   | 322322885/1 | 1    | Leva Freno Motore, Giallo | Lever, Engine Brake   | Levier Frein Moteur          | Hebel, Motorbremse  |         |
| 11   | 18566112/0  | 2    | Puntale                   | Cap                   | Bouchon                      | Gummistopfen        |         |

| NT  |       | NTL   |        |
|-----|-------|-------|--------|
| 480 | 480 Q | 480 W | 480 WQ |



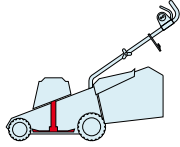
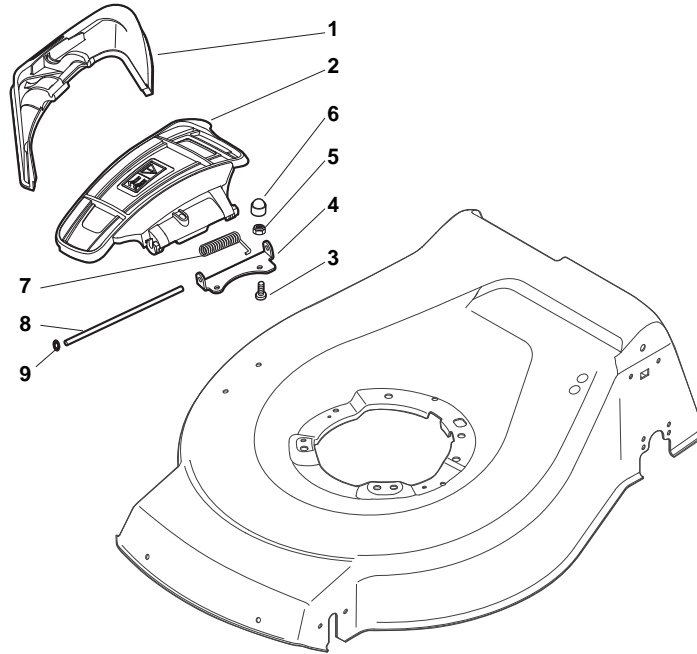
| POS. | CODE        | Q.TY | DESCRIZIONE      | DESCRIPTION      | DESCRIPTION | BESCHREIBUNG   | REMARKS |
|------|-------------|------|------------------|------------------|-------------|----------------|---------|
| 1    | 22291150/0  | 1    | Inserto In Gomma | Rubber Insert    | Insert De   | Gummi Einsatz  |         |
| 2    | 22060198/0  | 1    | Carter Cinghia   | Protection, Belt | Protection  | Schutz, Riemen | 484     |
| 2    | 322060197/2 | 1    | Carter Cinghia   | Protection, Belt | Protection  | Schutz, Riemen | 534     |
| 2    | 322060238/0 | 1    | Carter Cinghia   | Protection, Belt | Protection  | Schutz, Riemen | 534 BBC |
| 3    | 12728530/0  | 3    | Vite             | Screw            | Vis         | Schraube       |         |
| 4    | 22140223/0  | 1    | Deflettore       | Deflector        | Deflecteur  | Deflektor      | 484     |
| 4    | 22140222/0  | 1    | Deflettore       | Deflector        | Deflecteur  | Deflektor      | 534     |

| NT  |       | NTL   |        |
|-----|-------|-------|--------|
| 480 | 480 Q | 480 W | 480 WQ |

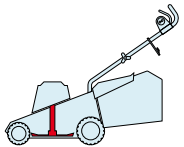
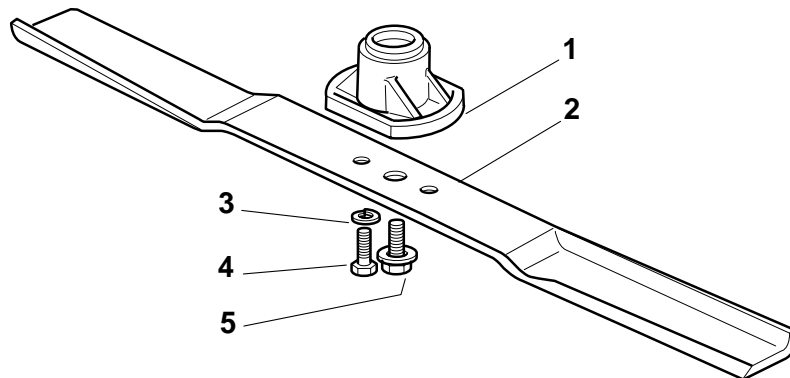
| POS. | CODE        | Q.TY | DESCRIZIONE            | DESCRIPTION        | DESCRIPTION            | BESCHREIBUNG      | REMARKS           |
|------|-------------|------|------------------------|--------------------|------------------------|-------------------|-------------------|
| 1    | -           | 1    | Capottina              | Cover              | Capot                  | Haube             | (See Enclosure 6) |
| 2    | 22785210/0  | 1    | Supporto Capottina     | Support, Cover     | Support Capot          | Halter, Haube     |                   |
| 3    | 12728710/0  | 4    | Vite                   | Screw              | Vis                    | Schraube          |                   |
| 4    | 118563665/0 | 1    | Motore Leo             | Motor Leo          | Moteur Leo             | Motor Leo         | 230V (1600W)      |
| 4    | 18563607/0  | 1    | Motore Atb             | Motor Atb          | Moteur Atb             | Motor Atb         | 240V (1600W)      |
| 4    | 18563605/0  | 1    | Motore Atb             | Motor Atb          | Moteur Atb             | Motor Atb         | 230V (1600W)      |
| 4    | 18563640/0  | 1    | Motore Atb             | Motor Atb          | Moteur Atb             | Motor Atb         | 230V (1800W)      |
| 5    | 18740054/0  | 1    | Ventola Per Motore Atb | Fan Motor Atb      | Ventilateur Moteur Atb | Lüfter Motor Atb  |                   |
| 6    | 18222045/0  | 1    | Condensatore 16 µf     | Condenser 16 µf    | Condenseur 16 µf       | Kondensator 16 µf | (Atb - 1600W)     |
| 6    | 18222039/0  | 1    | Condensatore 25 µf     | Condenser 25 µf    | Condenseur 25 µf       | Kondensator 25 µf | (Atb - 1800W)     |
| 7    | 12735410/0  | 4    | Vite                   | Screw              | Vis                    | Schraube          |                   |
| 8    | 12583500/0  | 4    | Grower                 | Grower             | Grower                 | Federring         |                   |
| 9    | 12293200/0  | 4    | Dado                   | Nut                | Ecrou                  | Mutter            |                   |
| 10   | 322207211/4 | 1    | Flangia                | Flange             | Bride                  | Flansch           |                   |
| 10   | 22207216/0  | 1    | Flangia                | Flange             | Bride                  | Flansch           | 480 MulCHing      |
| 11   | 322720360/2 | 1    | Schermo                | Ventilation Screen | Ecran Ventilation      | Lüftungschirm     |                   |
| 12   | 12793700/0  | 4    | Vite                   | Screw              | Vis                    | Schraube          |                   |
| 13   | 12139440/0  | 1    | Linguetta              | Feather            | Clavette               | Keil              |                   |
| 14   | 12728680/0  | 2    | Vite                   | Screw              | Vis                    | Schraube          |                   |

| NT  |       | NTL   |        |
|-----|-------|-------|--------|
| 480 | 480 Q | 480 W | 480 WQ |

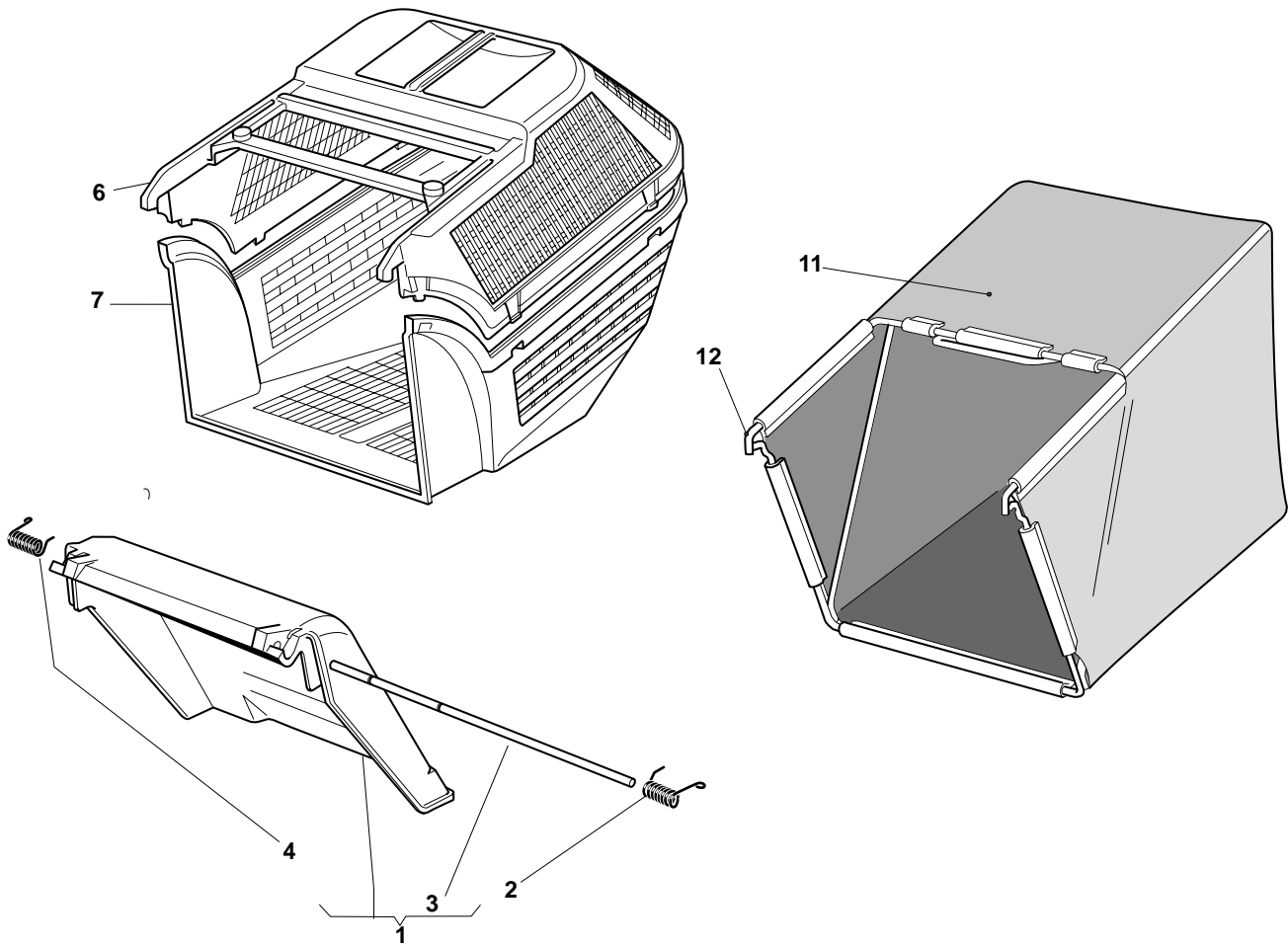
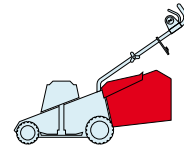
| POS. | CODE        | Q.TY | DESCRIZIONE        | DESCRIPTION    | DESCRIPTION         | BESCHREIBUNG  | REMARKS |
|------|-------------|------|--------------------|----------------|---------------------|---------------|---------|
| 1    | 322108295/0 | 1    | Parasassi          | Stone-Guard    | Pare-Pierres        | Prallblech    |         |
| 2    | 322600195/0 | 1    | Protezione Uscita  | Ejection Guard | Protection Sortie   | Auswurfschutz |         |
| 3    | 112727803/0 | 2    | Vite               | Screw          | Vis                 | Schraube      |         |
| 4    | 322806639/0 | 1    | Fulcro             | Fulcrum Pin    | Point D'Appui       | Gelenkpunkt   |         |
| 5    | 12154510/0  | 2    | Dado               | Nut            | Ecrou               | Mutter        |         |
| 6    | 18203853/0  | 2    | Cappuccio          | Protection     | Capuchon            | Stecker       |         |
| 7    | 122450456/0 | 1    | Molla              | Spring         | Ressort             | Feder         |         |
| 8    | 122517869/0 | 1    | Perno              | Pin            | Pivot               | Bolzen        |         |
| 9    | 12604896/0  | 2    | Fissatore A Corona | Crown Fastener | Fixateur A Couronne | Kronescheibe  |         |

| NT  |       | NTL   |        |
|-----|-------|-------|--------|
| 480 | 480 Q | 480 W | 480 WQ |

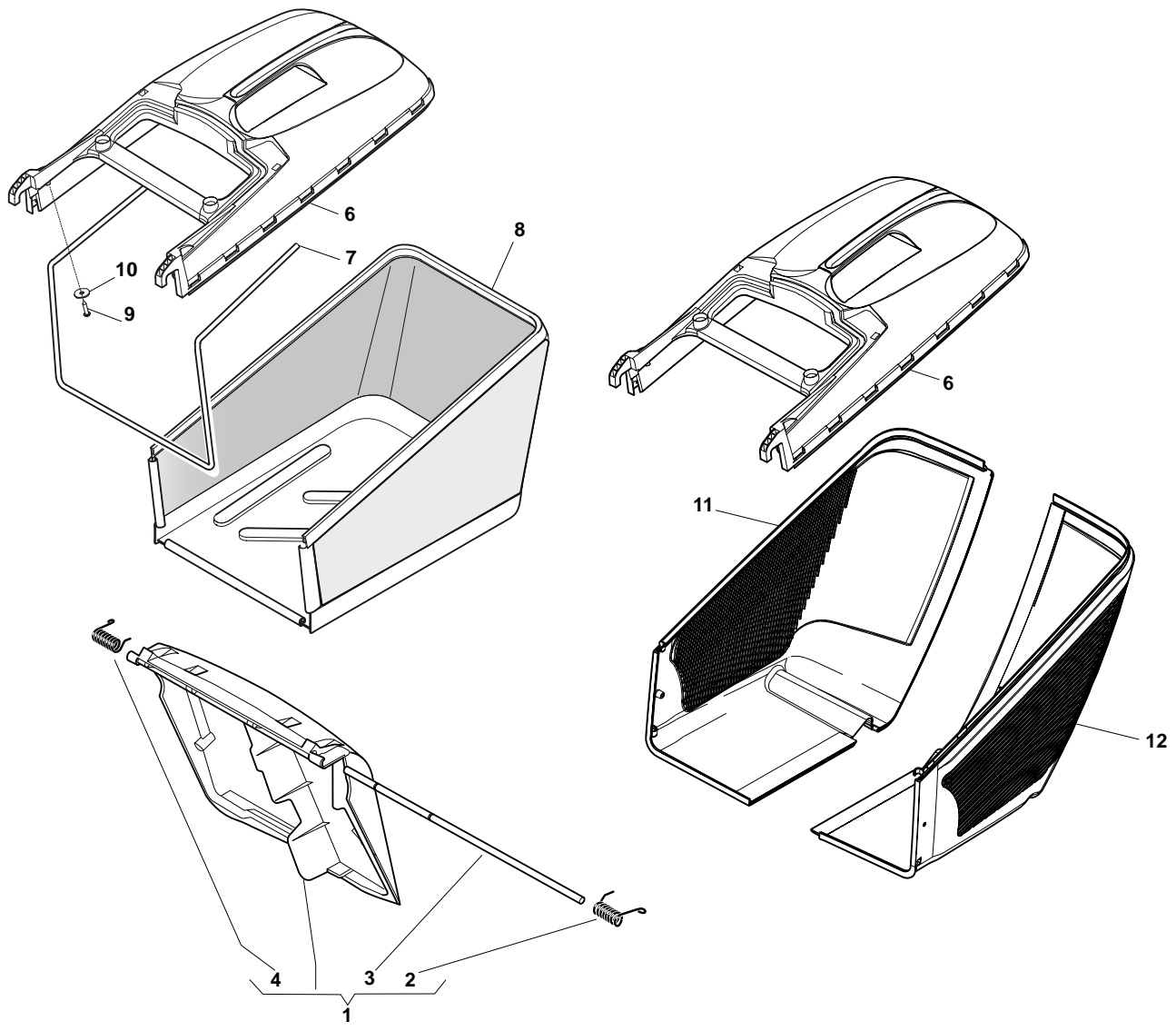
| POS. | CODE        | Q.TY | DESCRIZIONE       | DESCRIPTION    | DESCRIPTION   | BESCHREIBUNG    | REMARKS |
|------|-------------|------|-------------------|----------------|---------------|-----------------|---------|
| 1    | 322463186/3 | 1    | Mozzo             | Hub            | Moyeu         | Halter          |         |
| 2    | 81004346/3  | 1    | Coltello Standard | Blade Standard | Lame Standard | Messer Standard |         |
| 2    | 81004397/0  | 1    | Coltello Alettato | Blade Winged   | Lame Ailettée | Messer Flügel   |         |
| 3    | 12583500/0  | 2    | Grower            | Grower         | Grower        | Federring       |         |
| 4    | 12793101/0  | 2    | Vite              | Screw          | Vis           | Schraube        |         |
| 5    | 81004352/0  | 1    | Vite              | Screw          | Vis           | Schraube        |         |

| NT  |       | NTL   |        |
|-----|-------|-------|--------|
| 480 | 480 Q | 480 W | 480 WQ |



| POS. | CODE        | Q.TY | DESCRIZIONE      | DESCRIPTION      | DESCRIPTION            | BESCHREIBUNG    | REMARKS |
|------|-------------|------|------------------|------------------|------------------------|-----------------|---------|
| 1    | 381007308/2 | 1    | Parasassi        | Stone-Guard      | Pare-Pierres           | Prallblech      |         |
| 2    | 122450466/0 | 1    | Molla Sx         | L Spring         | Ressort G              | Linke Feder     |         |
| 3    | 22517906/1  | 1    | Perno            | Pin              | Pivot                  | Bolzen          |         |
| 4    | 122450465/0 | 1    | Molla Dx         | R Spring         | Ressort D              | Rechte Feder    |         |
| 6    | 322486073/1 | 1    | Sacco, Parte Sup | Grass-Box, Upper | Sac, Partie Superieure | Korb, Oberteil  |         |
| 7    | 22486074/0  | 1    | Sacco, Parte Inf | Grass-Box, Lower | Sac, Partie Inferieure | Korb, Unterteil |         |
| 11   | 81002105/2  | 1    | Sacco, Tela      | Box, Fabric      | Sac, Toile             | Sack, Tuck      |         |
| 12   | 81006418/0  | 1    | Telaio Sacco     | Chassis Box      | Châssis Bac            | Rahmen Sack     |         |

| NT  |       | NTL   |        |
|-----|-------|-------|--------|
| 480 | 480 Q | 480 W | 480 WQ |

| POS. | CODE        | Q.TY | DESCRIZIONE         | DESCRIPTION        | DESCRIPTION              | BESCHREIBUNG      | REMARKS |
|------|-------------|------|---------------------|--------------------|--------------------------|-------------------|---------|
| 1    | 381008081/0 | 1    | Parasassi           | Stone-Guard        | Pare-Pierres             | Prallblech        |         |
| 2    | 122450466/0 | 1    | Molla Sx            | L Spring           | Ressort G                | Linke Feder       |         |
| 3    | 22517906/1  | 1    | Perno               | Pin                | Pivot                    | Bolzen            |         |
| 4    | 122450465/0 | 1    | Molla Dx            | R Spring           | Ressort D                | Rechte Feder      |         |
| 6    | 22486101/0  | 1    | Sacco, Parte Sup    | Grass-Box, Upper   | Sac, Partie              | Korb, Oberteil    |         |
| 7    | 22608525/0  | 1    | Rinforzo Inf        | Stiffening Lower   | Réinforcement Inf        | Verstärkung       |         |
| 8    | 81002211/0  | 1    | Sacco, Tela         | Box, Fabric        | Sac, Toile               | Sack, Tuck        |         |
| 9    | 12728680/0  | 2    | Vite                | Screw              | Vis                      | Schraube          |         |
| 10   | 12523050/0  | 2    | Rosetta             | Washer             | Rondelle                 | Scheibe           |         |
| 11   | 322486150/1 | 1    | Sacco, Parte Inf Dx | Grass-Box, R Lower | Sac, Partie Inferieure D | Korb, R Unterteil |         |
| 12   | 322486151/1 | 1    | Sacco, Parte Inf Sx | Grass-Box, L Lower | Sac, Partie Inferieure G | Korb, L Unterteil |         |