

# Genuine Spare Parts

Catalogo delle parti di ricambio  
Spare parts catalogue  
Catalogue des pieces de rechange  
Ersatzteilkatalog

# 2010

- Use GLOBAL GARDEN PRODUCT Genuine Spare Parts specified in the parts list for repair and/or replacement.
- The contents described in the parts list may change due to improvement.
- The drawings of the spare parts are only indicative and might not represent the part in question exactly.
- The indications "right" - "left" - "front" - "rear" refer to the position of the operator when using the machine.
- When placing orders of parts for repair and/or replacement, make sure that the illustrated parts list is the one applying to the machine's year of manufacture, as shown on the identification plate attached to the machine.

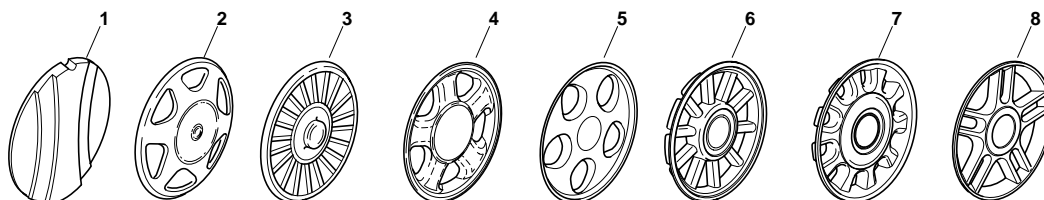
**COPYRIGHT by GLOBAL GARDEN PRODUCTS**

All rights reserved. No part of this material may be reproduced or transmitted, in any form or by any means, electronic or mechanical, including photocopying, recording or by any information storage and retrieval system, without permission in writing from GLOBAL GARDEN PRODUCTS.



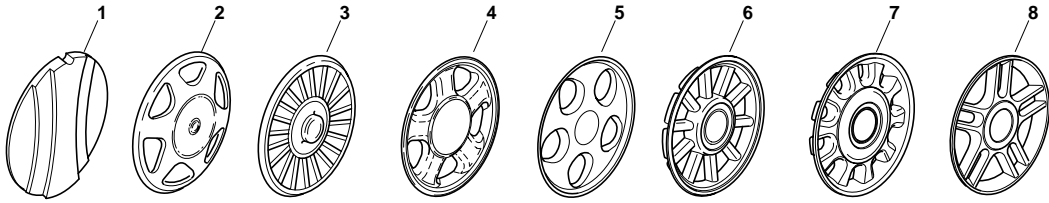
**GLOBAL GARDEN PRODUCTS**

## ENCLOSURE 1



POS.	CODE	Q.TY	DESCRIZIONE	DESCRIPTION	DESCRIPTION	BESCHREIBUNG	REMARKS
1	22110252/1		Coprimozzo Bianco	Hub Cap White	Couvre-Moyeu	Radkappe Weiße	
1	22110254/1		Coprimozzo Giallo	Hub Cap Yellow	Couvre-Moyeu	Radkappe Gelbe	
1	22110255/1		Coprimozzo Rosso	Hub Cap Red	Couvre-Moyeu	Radkappe Rote	
2	22110344/0		Coprimozzo Bianco	Hub Cap White	Couvre-Moyeu	Radkappe Weiße	
2	22110395/0		Coprimozzo Grigio	Hub Cap Grey	Couvre-Moyeu Gris	Radkappe Grau	
3	22110347/0		Coprimozzo Grigio	Hub Cap Grey	Couvre-Moyeu Gris	Radkappe Grau	
4	22110381/0		Coprimozzo Grigio	Hub Cap Grey	Couvre-Moyeu Gris	Radkappe Grau	
5	22110416/0		Coprimozzo Grigio	Hub Cap Grey	Couvre-Moyeu Gris	Radkappe Grau	
6	22110495/0		Coprimozzo Grigio	Hub Cap Grey	Couvre-Moyeu Gris	Radkappe Grau	
7	22110493/0		Coprimozzo Grigio	Hub Cap Grey	Couvre-Moyeu Gris	Radkappe Grau	
8	22110491/0		Coprimozzo Grigio	Hub Cap Grey	Couvre-Moyeu Gris	Radkappe Grau	

## ENCLOSURE 2

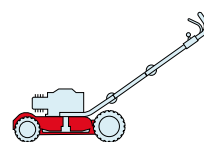


POS.	CODE	Q.TY	DESCRIZIONE	DESCRIPTION	DESCRIPTION	BESCHREIBUNG	REMARKS
1	22110251/0		Coprismozzo Bianco	Hub Cap White	Couvre-Moyeu	Radkappe Weiße	
1	22110253/0		Coprismozzo Giallo	Hub Cap Yellow	Couvre-Moyeu	Radkappe Gelbe	
1	22110256/0		Coprismozzo Rosso	Hub Cap Red	Couvre-Moyeu	Radkappe Rote	
2	22110313/0		Coprismozzo Bianco	Hub Cap White	Couvre-Moyeu	Radkappe Weiße	
2	22110314/0		Coprismozzo Grigio	Hub Cap Grey	Couvre-Moyeu Gris	Radkappe Grau	
3	22110348/0		Coprismozzo Grigio	Hub Cap Grey	Couvre-Moyeu Gris	Radkappe Grau	
4	22110382/0		Coprismozzo Grigio	Hub Cap Grey	Couvre-Moyeu Gris	Radkappe Grau	
5	22110417/0		Coprismozzo Grigio	Hub Cap Grey	Couvre-Moyeu Gris	Radkappe Grau	
6	22110496/0		Coprismozzo Grigio	Hub Cap Grey	Couvre-Moyeu Gris	Radkappe Grau	
7	22110494/0		Coprismozzo Grigio	Hub Cap Grey	Couvre-Moyeu Gris	Radkappe Grau	
8	22110492/0		Coprismozzo Grigio	Hub Cap Grey	Couvre-Moyeu Gris	Radkappe Grau	

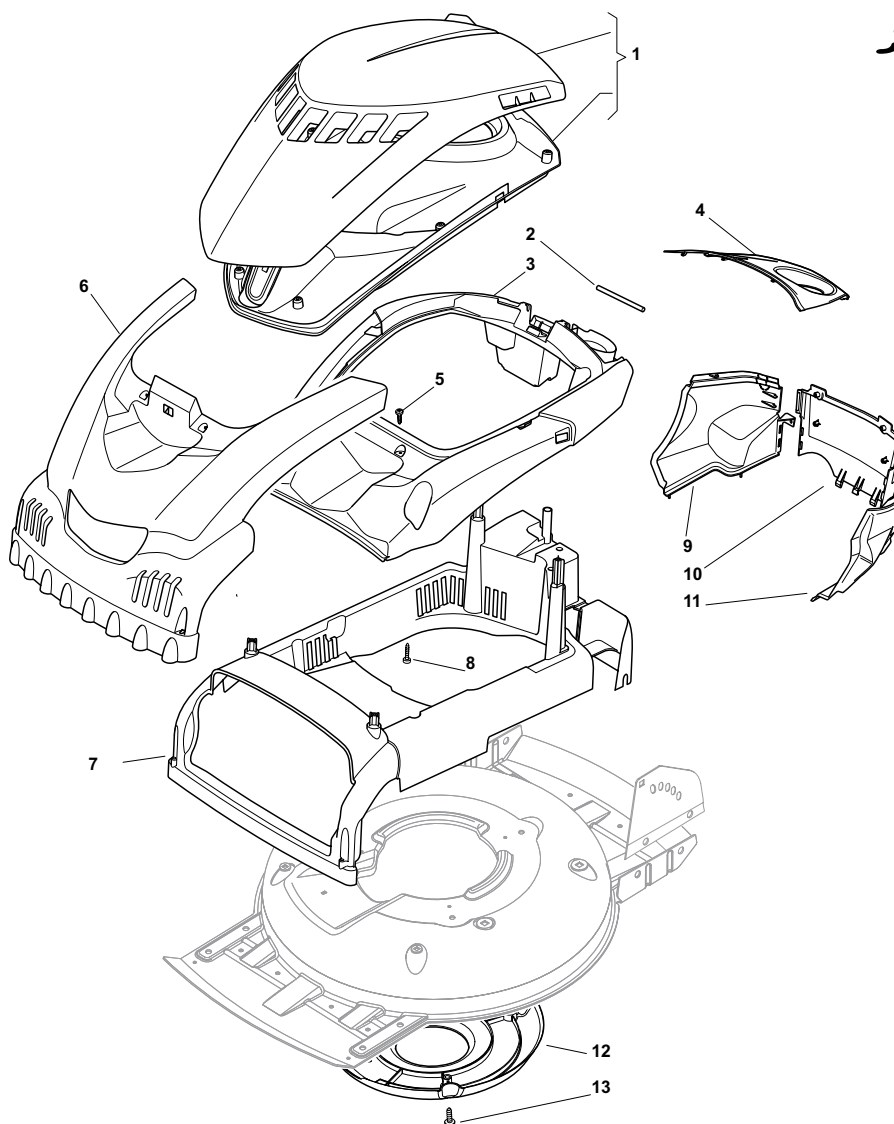
# MCS 504

TR SIL

TR 4S SIL



*silent*



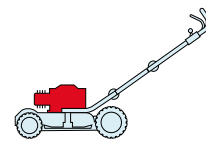
POS.	CODE	Q.TY	DESCRIZIONE	DESCRIPTION	DESCRIPTION	BESCHREIBUNG	REMARKS
1	381119702/0	1	Copertura Sup. Grigio	Cover, Upper Grey	Couvre, Sup. Gris	Oberteilkappe, Rot Grau	
1	381119703/0	1	Copertura Sup. Nero	Cover, Upper Black	Couvre, Sup. Noir	Oberteilkappe, Rot Schwarz	
2	122517861/0	1	Perno	Pin	Pivot	Bolzen	
3	322109813/0	1	Copertura Sup. Rosso Cast.	Cover, Upper Red Cast.	Couvre, Sup. Rouge Cast.	Oberteilkappe, Rot Cast.	Castelgarden
3	322109814/0	1	Copertura Sup. Rosso Mount.	Cover, Upper Red Mount.	Couvre, Sup. Rouge Mount.	Oberteilkappe, Rot Mount.	Mountfield
3	322109801/0	1	Copertura Sup. Giallo	Cover, Upper Yellow	Couvre, Sup. Jaune	Oberteilkappe, Rot Gelb	Stiga
4	322109745/0	1	Coperchio, Grigio	Cover, Grey	Couvercle, Gris	Deckel, Grau	
4	322109818/0	1	Coperchio, Nero	Cover, Black	Couvercle, Noir	Deckel, Schwarz	
5	112728706/0	6	Vite	Screw	Vis	Schraube	
6	322109820/0	1	Mascherina, Rosso Cast.	Mask, Red Cast.	Mesque, Rouge Cast.	Maske, Rot Cast.	Castelgarden
6	322109821/0	1	Mascherina, Rosso Mount.	Mask, Red Mount.	Mesque, Rouge Mount.	Maske, Rot Mount.	Mountfield
6	322109804/0	1	Mascherina, Giallo	Mask, Yellow	Mesque, Jaune	Maske, Gelb	Stiga
7	322109811/0	1	Copertura Inf. Rosso Cast.	Cover, Lower Red Cast.	Couvre, Inferieure Rouge Cast.	Unterkappe, Rot Cast.	Castelgarden

POS.	CODE	Q.TY	DESCRIZIONE	DESCRIPTION	DESCRIPTION	BESCHREIBUNG	REMARKS
7	322109812/0	1	Copertura Inf. Rosso Mount.	Cover, Lower Red Mount.	Couvre, Inferieure Rouge Mount.	Unterkappe, Rot Mount.	Mountfield
7	322109802/0	1	Copertura Inf. Giallo	Cover, Lower Yellow	Couvre, Inferieure Jaune	Unterkappe, Rot Gelb	Stiga
8	112728696/0	2	Vite	Screw	Vis	Schraube	
9	322109799/0	1	Chiusura Post. Grigio	Rear Cover, Grey	Couvercle Arriere, Gris	Deckel Hinter, Grau	
9	322109816/0	1	Chiusura Post. Nero	Rear Cover, Black	Couvercle Arriere, Noir	Deckel Hinter, Schwarz	
10	322109798/0	1	Chiusura Post. Grigio	Rear Cover, Grey	Couvercle Arriere, Gris	Deckel Hinter, Grau	
10	322109815/0	1	Chiusura Post. Nero	Rear Cover, Black	Couvercle Arriere, Noir	Deckel Hinter, Schwarz	
11	322109800/0	1	Chiusura Post. Grigio	Rear Cover, Grey	Couvercle Arriere, Gris	Deckel Hinter, Grau	
11	322109817/0	1	Chiusura Post. Nero	Rear Cover, Black	Couvercle Arriere, Noir	Deckel Hinter, Schwarz	
12	322060227/0	1	Carter	Protection	Protection	Schutz	
13	12728530/0	3	Vite	Screw	Vis	Schraube	

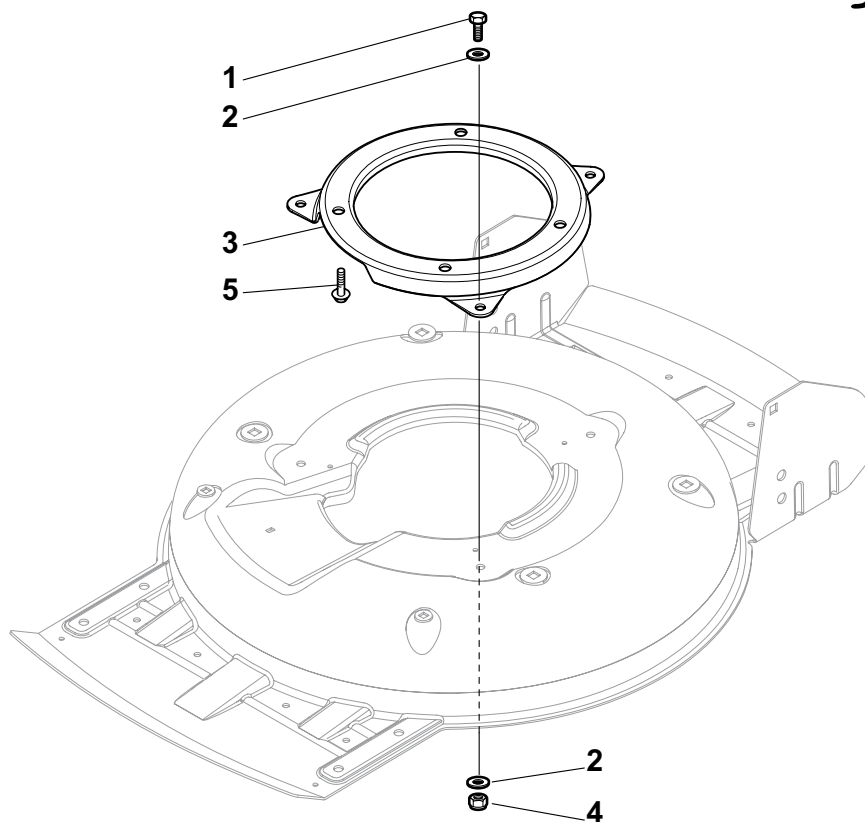
MCS 504

TR SIL

TR 4S SIL



*silent*

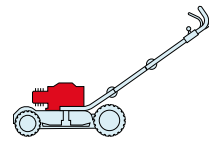


POS.	CODE	Q.TY	DESCRIZIONE	DESCRIPTION	DESCRIPTION	BESCHREIBUNG	REMARKS
1	12792611/0	3	Vite	Screw	Vis	Schraube	
2	12523060/0	6	Rosetta	Washer	Rondelle	Scheibe	
3	322207219/1	1	Flangia	Flange	Bride	Flansch	
4	12293201/0	3	Dado	Nut	Ecrou	Mutter	
5	112735108/1	3	Vite	Screw	Vis	Schraube	

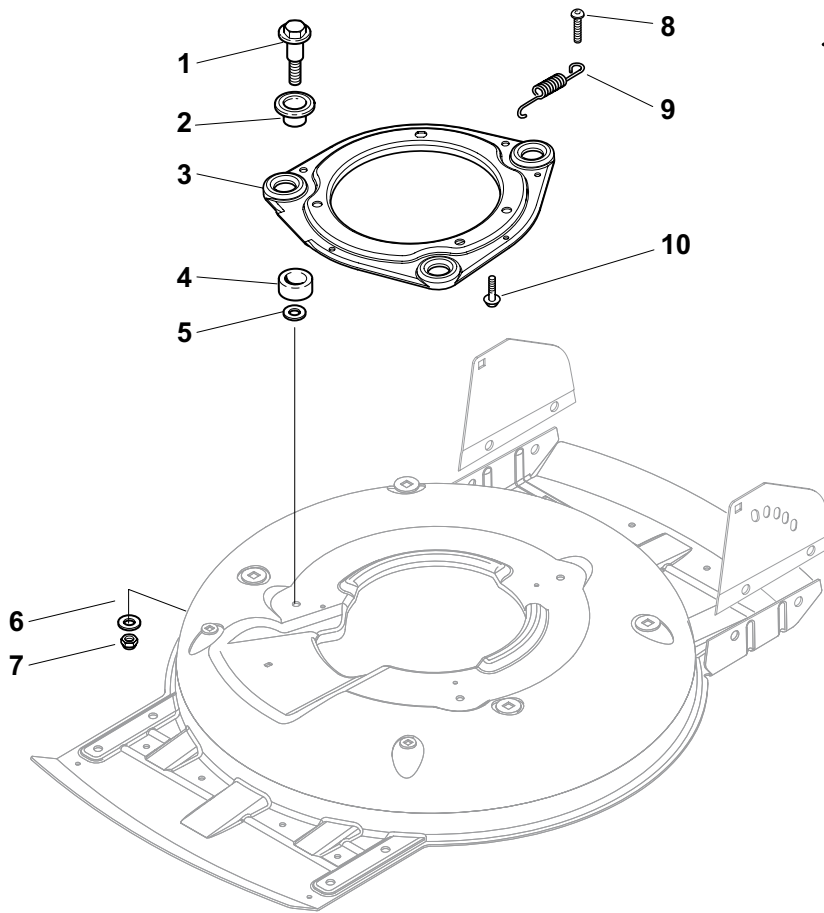
# MCS 504

TR SIL

TR 4S SIL



*silent*

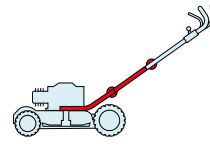


POS.	CODE	Q.TY	DESCRIZIONE	DESCRIPTION	DESCRIPTION	BESCHREIBUNG	REMARKS
1	22524329/0	3	Perno	Pin	Pivot	Bolzen	
2	22672201/0	3	Rosetta	Washer	Rondelle	Scheibe	
3	22207225/0	1	Flangia, Nero	Flange, Black	Bride, Noir	Flansch, Schwarz	TR
3	322207221/1	1	Flangia, Nero	Flange, Black	Bride, Noir	Flansch, Schwarz	TR 4S
3	81207221/1	1	Flangia, Giallo	Flange, Yellow	Bride, Jaune	Flansch, Gelb	TR
3	38120722571	1	Flangia, Giallo	Flange, Yellow	Bride, Jaune	Flansch, Gelb	TR 4S
4	22250012/0	3	Gommino	Grommet	Caoutchouc	Gummi	
5	22671651/0	3	Rosetta	Washer	Rondelle	Scheibe	
6	12521350/0	3	Rosetta	Washer	Rondelle	Scheibe	
7	12155000/0	3	Dado	Nut	Ecrou	Mutter	
8	12791400/0	1	Vite	Screw	Vis	Schraube	
9	22450444/0	1	Molla	Spring	Ressort	Feder	
10	112735108/1	3	Vite	Screw	Vis	Schraube	

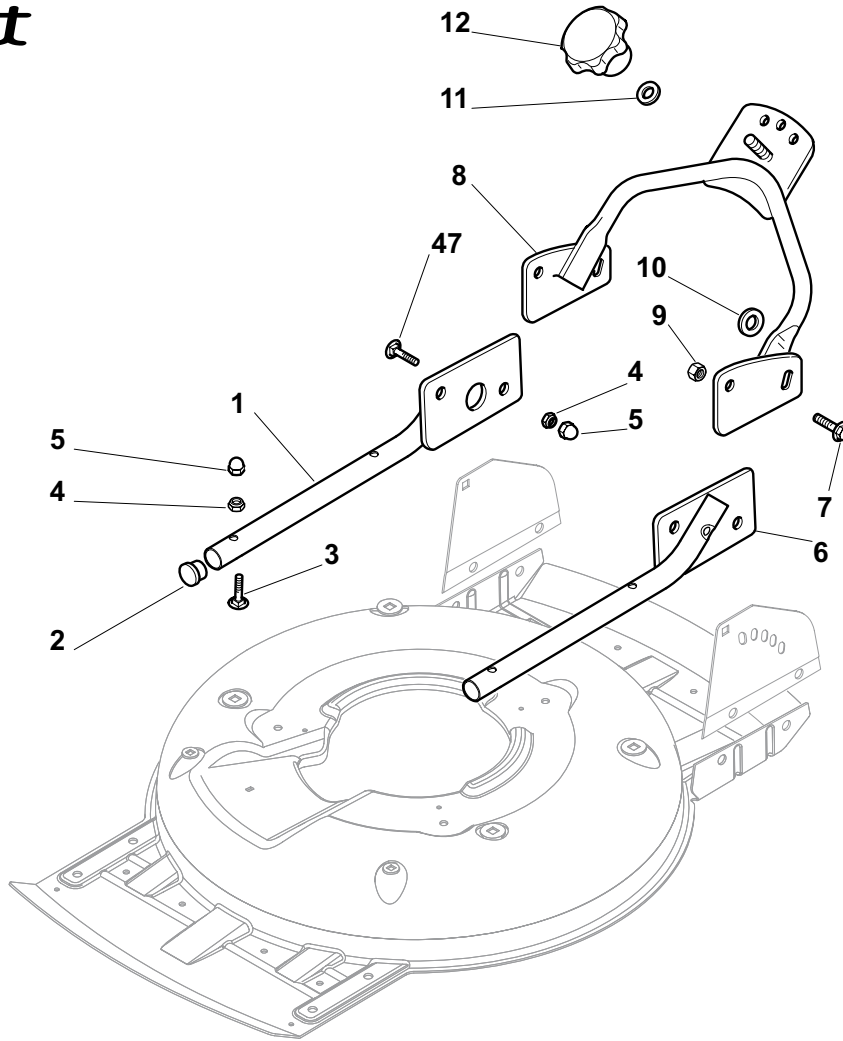
# MCS 504

TR SIL

TR 4S SIL



*silent*



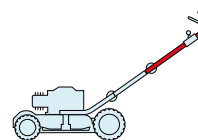
POS.	CODE	Q.TY	DESCRIZIONE	DESCRIPTION	DESCRIPTION	BESCHREIBUNG	REMARKS
1	381006381/0	1	Manico, Parte Inf Dx	Right Handle, Lower Part	Mancheron, Partie Inferieure	Holm, Unterteil	Yellow
1	381006383/0	1	Manico, Parte Inf Dx	Right Handle, Lower Part	Mancheron, Partie Inferieure	Holm, Unterteil	Black
2	18566114/0	4	Puntale	Cap	Bouchon	Gummistopfen	
3	12819100/0	6	Vite	Screw	Vis	Schraube	
4	12155000/0	6	Dado	Nut	Ecrou	Mutter	
5	18203854/0	6	Cappuccio	Protection	Capuchon	Stecker	
6	81006375/0	1	Manico, Parte Inf Sx	Left Handle, Lower Part	Mancheron, Partie Inferieure	Holm, Unterteil	Yellow
6	381006379/0	1	Manico, Parte Inf Sx	Left Handle, Lower Part	Mancheron, Partie Inferieure	Holm, Unterteil	Black
7	12793102/0	4	Vite	Screw	Vis	Schraube	
8	81006361/0	1	Manico, Parte Intermedia	Handle, Middle Part	Mancheron	Holm	Yellow
8	81006365/0	1	Manico, Parte Intermedia	Handle, Middle Part	Mancheron	Holm	Black
9	12155000/0	4	Dado	Nut	Ecrou	Mutter	
10	12523060/0	2	Rosetta	Washer	Rondelle	Scheibe	
11	12523080/0	1	Rosetta	Washer	Rondelle	Scheibe	
12	22399813/0	1	Manopolina	Knob	Poignée	Griff	



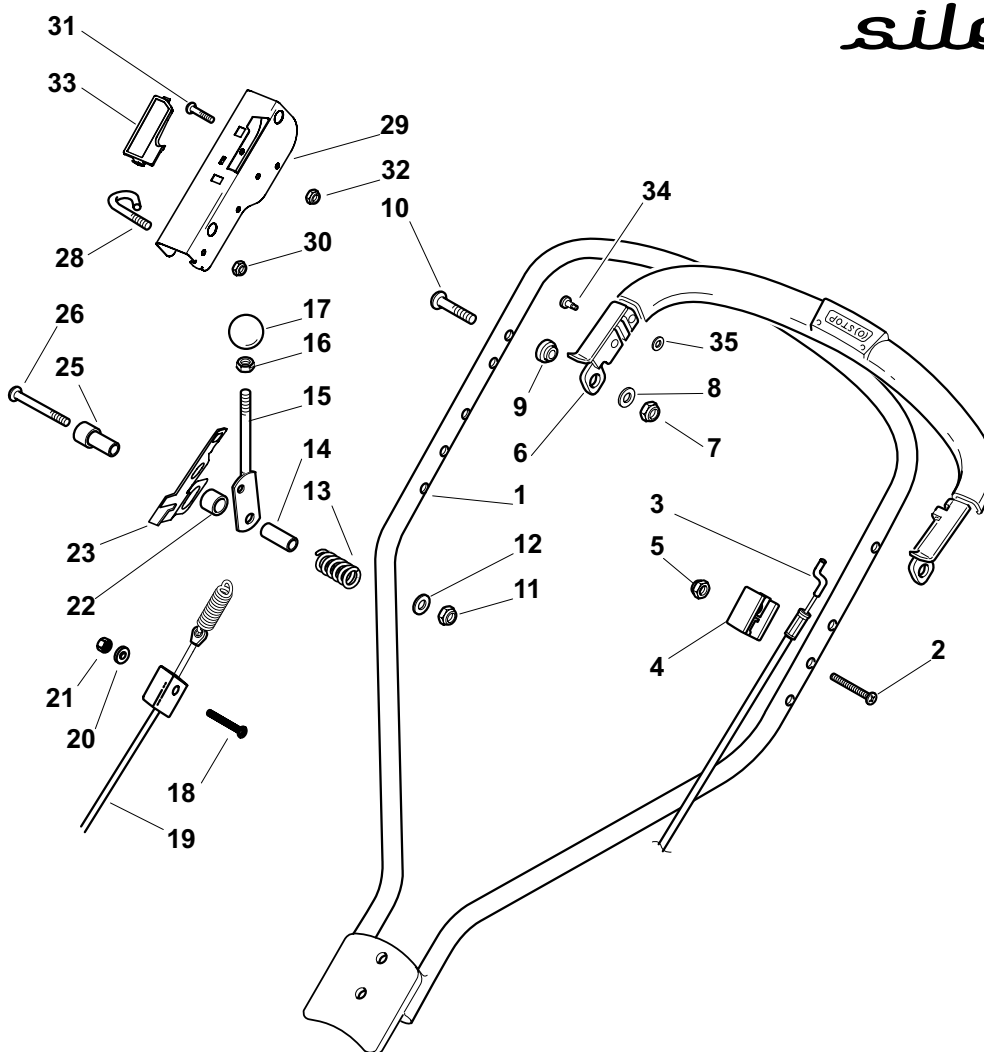
# MCS 504

TR SIL

TR 4S SIL



*silent*



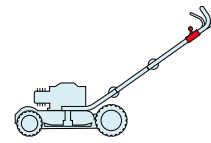
POS.	CODE	Q.TY	DESCRIZIONE	DESCRIPTION	DESCRIPTION	BESCHREIBUNG	REMARKS
1	81006363/1	1	Manico, Parte Sup	Handle, Upper Part	Mancheron, Partie Supérieure	Holm, Oberteil	Yellow
2	12727783/0	1	Vite	Screw	Vis	Schraube	
3	181000618/0	1	Cavo Freno Motore	Cable, Thread Engine Brake	Cable Frein Moteur	Kabel, Motorbremse	(Ggp 160cc)
4	22551640/0	1	Piastrina	Plate	Plaquette	Plättchen	
5	12154510/0	1	Dado	Nut	Ecrou	Mutter	
6	81003318/1	1	Leva Freno Motore	Lever, Engine Brake	Levier Frein Moteur	Hebel, Motorbremse	
7	12154510/0	2	Dado	Nut	Ecrou	Mutter	
8	12521330/0	2	Rosetta	Washer	Rondelle	Scheibe	
9	22671660/1	2	Rosetta	Washer	Rondelle	Scheibe	
10	12727784/0	2	Vite	Screw	Vis	Schraube	
11	12292100/0	1	Dado	Nut	Ecrou	Mutter	
12	12530060/0	1	Rosetta	Washer	Rondelle	Scheibe	
13	22450446/0	1	Molla	Spring	Ressort	Feder	
14	22170840/0	1	Distanziale	Spacer	Entretoise	Distanzring	
15	81003313/0	1	Leva Trazione	Lever, Driving	Levier Traction	Hebel, Antrieb	
16	12293200/0	1	Dado	Nut	Ecrou	Mutter	

POS.	CODE	Q.TY	DESCRIZIONE	DESCRIPTION	DESCRIPTION	BESCHREIBUNG	REMARKS
17	22399812/0	1	Manopolina	Knob	Poignée	Griff	
18	12727791/0	1	Vite	Screw	Vis	Schraube	
19	381000745/1	1	Cavo Comando Trazione	Cable, Rear Drive	Câble, Commande Traction	Kabel, Antrieb	
20	12521330/0	1	Rosetta	Washer	Rondelle	Scheibe	
21	12154510/0	1	Dado	Nut	Ecrou	Mutter	
22	22170843/0	1	Distanziale	Spacer	Entretoise	Distanzring	
23	22551653/0	1	Piastrina	Plate	Plaquette	Platte	
25	22170842/0	1	Distanziale	Spacer	Entretoise	Distanzring	
26	12727786/0	1	Vite	Screw	Vis	Schraube	
28	22430314/0	1	Molla Guida	Spring	Ressort	Feder	
29	81004405/0	1	Cruscotto	Dash Board	Console	Konsole	
30	12154510/0	1	Dado	Nut	Ecrou	Mutter	
31	12727792/0	1	Vite	Screw	Vis	Schraube	
32	12154510/0	1	Dado	Nut	Ecrou	Mutter	
33	22500050/0	1	Pattino	Shoe	Bloc De Glissement	Gleitblock	
34	22524342/0	1	Perno	Pin	Pivot	Bolzen	
35	12604897/0	1	Anello Elastico	Snap Ring	Anneau Ressort	Sprengring	

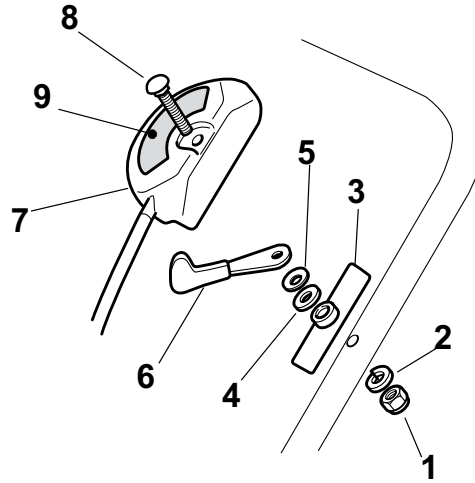
# MCS 504

TR SIL

TR 4S SIL



*silent*

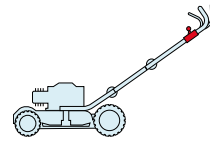


POS.	CODE	Q.TY	DESCRIZIONE	DESCRIPTION	DESCRIPTION	BESCHREIBUNG	REMARKS
1	12291000/0	1	Dado	Nut	Ecrou	Mutter	
2	12581500/0	1	Grower	Grower	Grower	Federring	
3	22171006/0	1	Distanziale	Spacer	Entretoise	Distanzring	
4	12521360/0	1	Rosetta	Washer	Rondelle	Scheibe	
5	12508100/0	1	Rosetta Elastica	Spring Washer	Rondelle Elastique	Elastische Scheibe	
6	81007279/1	1	Leva, Acceleratore	Lever, Throttle	Levier, Accelérateur	Hebel, Beschleuniger	
7	81007080/0	1	Cavo Acceleratore	Throttle Cable	Cable, Accelérateur	Gashebel Kabel	
8	12815030/0	1	Vite	Screw	Vis	Schraube	
9	14356702/0	1	Etichetta	Label	Etiquette	Etikette	(GGP)
9	14361404/0	1	Etichetta	Label	Etiquette	Etikette	(GGP - Avs)

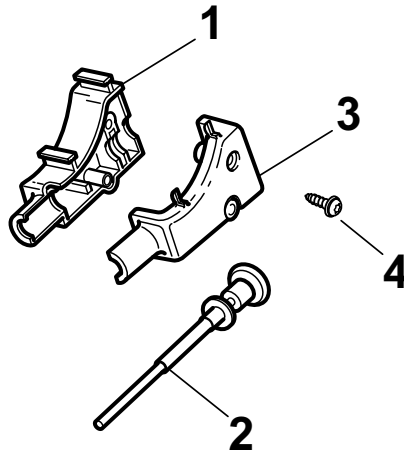
MCS 504

TR SIL

TR 4S SIL



*silent*

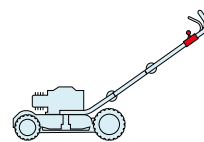


POS.	CODE	Q.TY	DESCRIZIONE	DESCRIPTION	DESCRIPTION	BESCHREIBUNG	REMARKS
1	22722804/1	1	Protezione Dx	R Protection	Protection D	Rechte Schutz	
2	381000742/1	1	Comando Starter	Starter Drive	Commande Starter	Starter Betaetigung	
3	22722805/1	1	Protezione Sx	L Protection	Protection G	Linke Schutz	
4	12728300/0	1	Vite	Screw	Vis	Schraube	

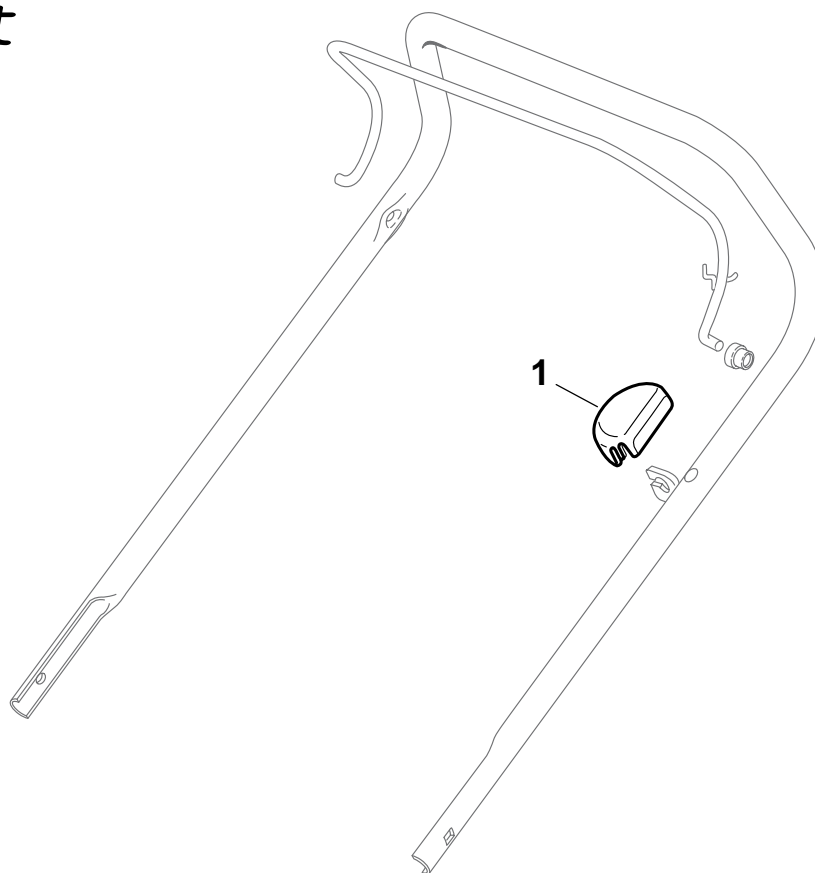
MCS 504

TR SIL

TR 4S SIL



*silent*

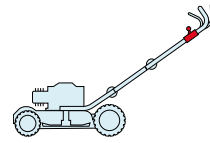


POS.	CODE	Q.TY	DESCRIZIONE	DESCRIPTION	DESCRIPTION	BESCHREIBUNG	REMARKS
1	22601000/0	1	Protezione	Protection	Protection	Schutz	

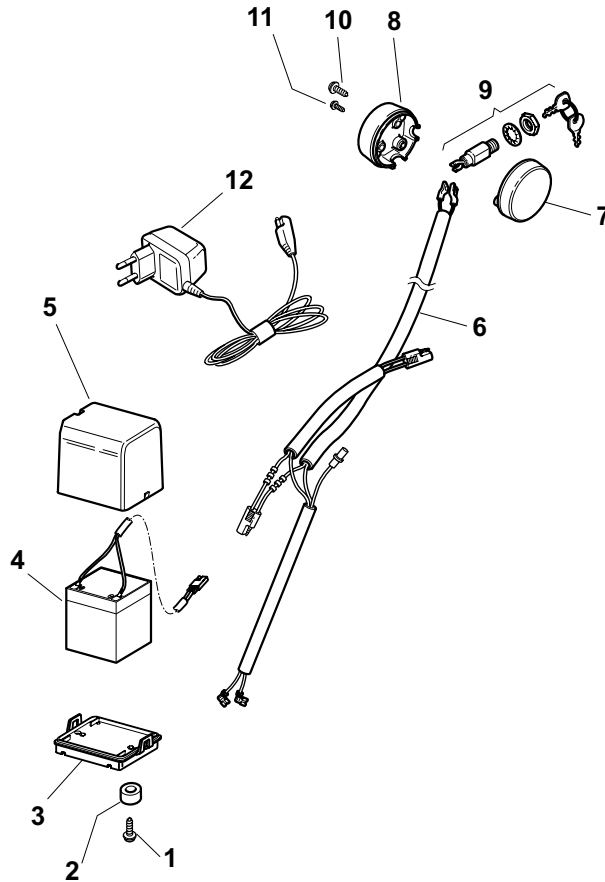
# MCS 504

TR SIL

TR 4S SIL



*silent*

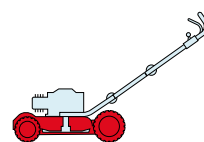


POS.	CODE	Q.TY	DESCRIZIONE	DESCRIPTION	DESCRIPTION	BESCHREIBUNG	REMARKS
1	12728535/0	2	Vite	Screw	Vis	Schraube	
2	25160012/0	2	Distanziale	Spacer	Entretoise	Distanzring	
3	22785122/0	1	Supporto Batteria	Support, Battery	Support Batterie	Halter, Batterie	
4	18120052/0	1	Batteria	Battery	Batterie	Batterie	
5	22109530/0	1	Coperchio	Cover	Couvercle	Deckel	
6	18204197/0	1	Cavo Avviamento	Cable, Start	Cable Démarrage	Kabel, Start	
7	22722801/0	1	Protezione Sx	L Protection	Protection G	Linke Schutz	
8	22722800/0	1	Protezione Dx	R Protection	Protection D	Rechte Schutz	
9	1	Interruttore	Switch	Interrupteur	Schalter		
10	12728300/0	2	Vite	Screw	Vis	Schraube	
11	12728691/0	1	Vite	Screw	Vis	Schraube	
12	18204120/0	1	Carica Batteria	Battery Charger	Chargeur De Batterie	Ladgerät	
12	18204121/0	1	Carica Batteria	Battery Charger	Chargeur De	Ladgerät	(Uk)

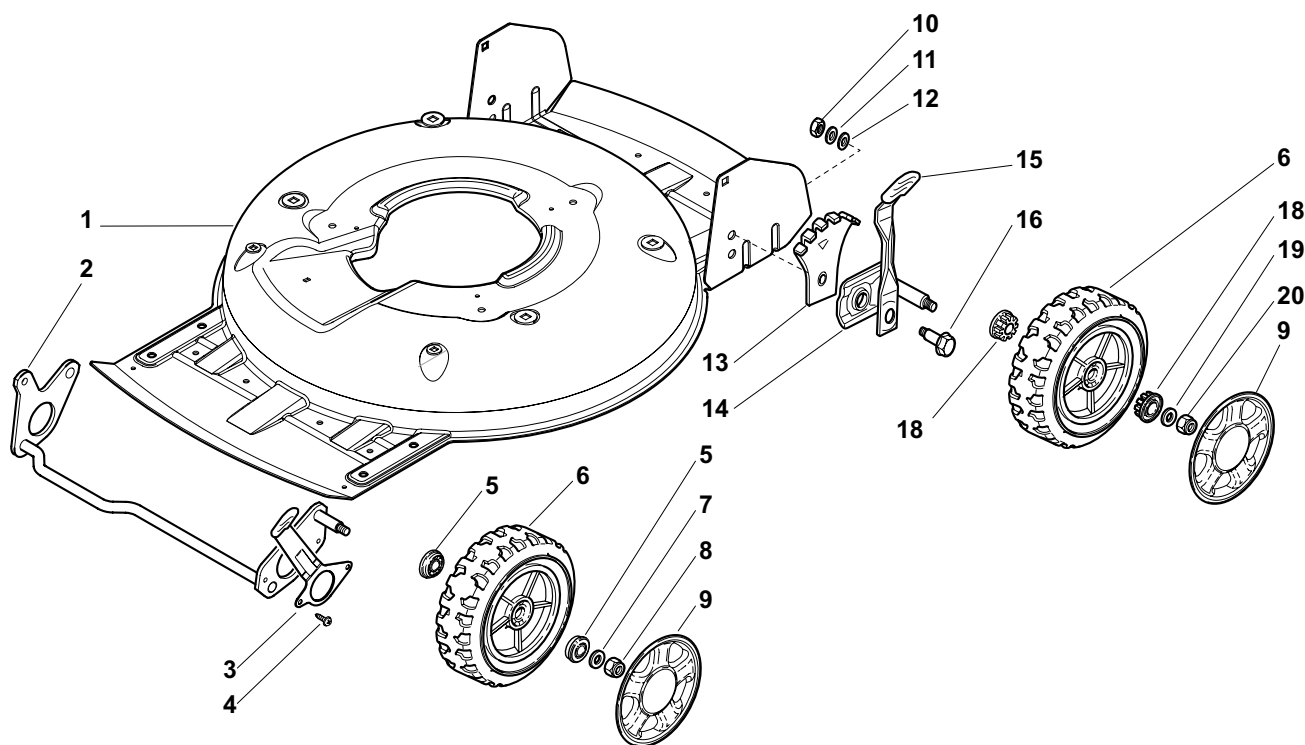
# MCS 504

TR SIL

TR 4S SIL



*silent*

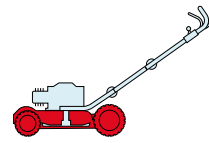


POS.	CODE	Q.TY	DESCRIZIONE	DESCRIPTION	DESCRIPTION	BESCHREIBUNG	REMARKS
1	81002907/1	1	Chassis Giallo	Deck Yellow	Châssis Jaune	Gehäuse Gelb	
2	81002849/0	1	Asse Ruote Posteriore	Axle, Rear Wheels	Axe Roues Arriere	Achse, Hinterrad	
3	81003276/0	1	Leva Regolazione Altezza	Lever, Height Adjustment	Levier, Reglage Hauteur	Hebel, Höhenverstellung	
4	12735661/0	2	Vite	Screw	Vis	Schraube	
5	22122200/0	4	Cuscinetto	Bearing	Coussinet	Lager	
6	81007343/0	4	Ruota Ø 210	Wheel Ø 210	Roue Ø 210	Rad Ø 210	
7	12369500/0	2	Disco Elastico	Elastic Washer	Rondelle Elastique	Elastischescheibe	
8	12155000/0	2	Dado	Nut	Ecrou	Mutter	
9	-	4	Coprismozzo	Hub Cap	Couvre-Moyeu	Radkappe	(See Enclosure 2)
10	12293200/0	2	Dado	Nut	Ecrou	Mutter	
11	12583500/0	2	Grower	Grower	Grower	Federring	
12	12523070/0	2	Rosetta	Washer	Rondelle	Scheibe	
13	22735547/0	2	Settore Regolazione Altezza	Sector, Height Adjustment	Secteur Reglage Hauteur	Sektor, Höhenverstellung	
14	81005082/0	2	Supporto Ruota	Support, Wheel	Support Roue	Halter, Rad	
15	81003286/0	2	Leva Regolazione Altezza	Lever, Height Adjustment	Levier, Reglage Hauteur	Hebel, Höhenverstellung	
16	22519811/0	2	Perno	Pin	Pivot	Bolzen	
18	22034508/0	4	Bussola	Bush	Douille	Buchse	
19	12523060/0	2	Rosetta	Washer	Rondelle	Scheibe	
20	12155000/0	2	Dado	Nut	Ecrou	Mutter	

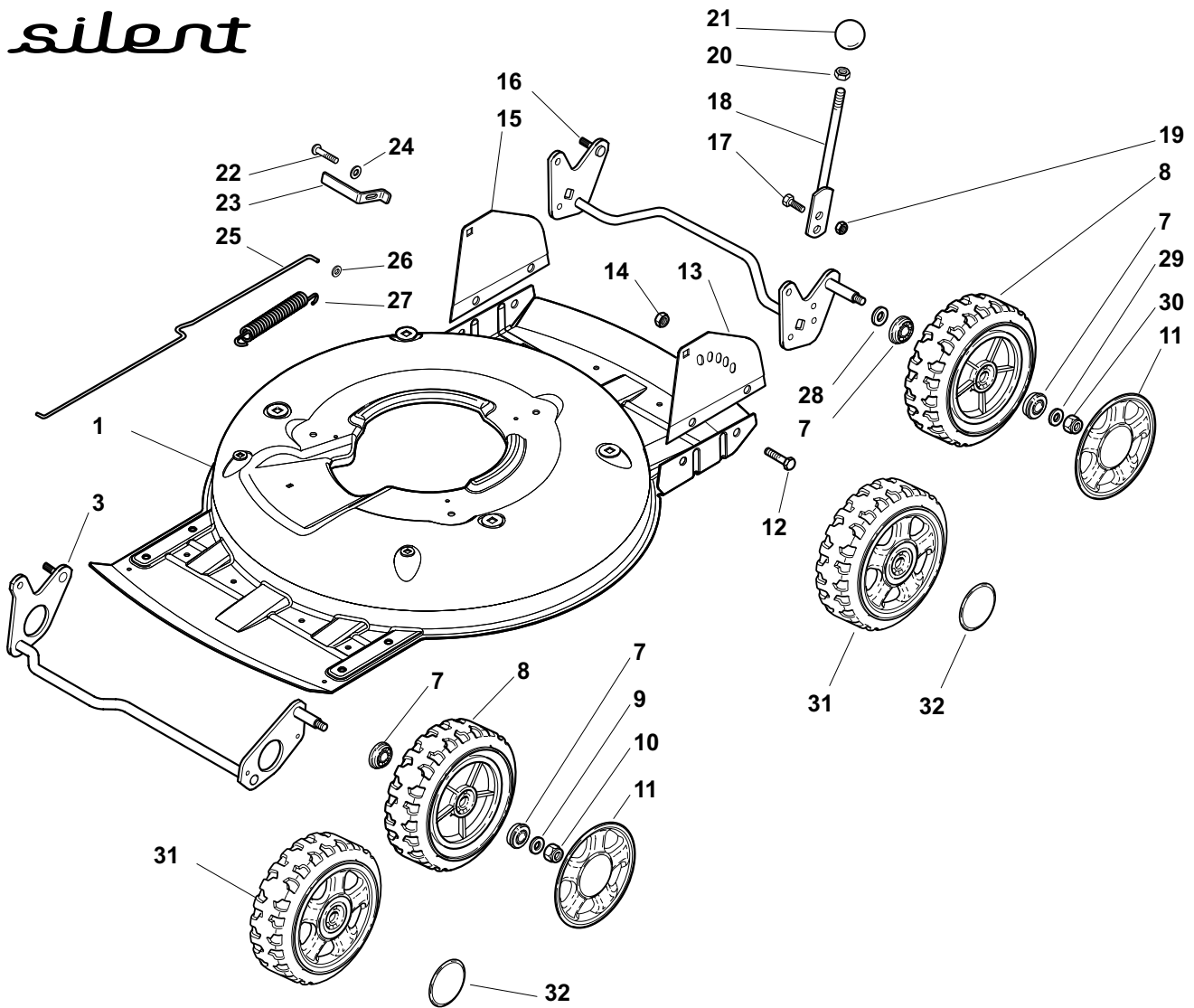
# MCS 504

TR SIL

TR 4S SIL



*silent*



POS.	CODE	Q.TY	DESCRIZIONE	DESCRIPTION	DESCRIPTION	BESCHREIBUNG	REMARKS
1	81002909/1	1	Chassis Grigio	Deck Grey	Châssis Gris	Gehäuse Grau	
1	322064691/0	1	Chassis INOX	Deck INOX	Châssis INOX	Gehäuse INOX	
3	81002849/0	1	Asse Ruote Anteriore	Axle, Front Wheels	Axe Roues Avant	Achse, Vorderrad	
7	22122200/0	8	Cuscinetto	Bearing	Coussinet	Lager	
8	81007343/0	4	Ruota Ø 210	Wheel Ø 210	Roue Ø 210	Rad Ø 210	
9	12369500/0	2	Disco Elastico	Elastic Washer	Rondelle Elastique	Elastischescheibe	
10	12155000/0	2	Dado	Nut	Ecrou	Mutter	
11	-	4	Coprimozzo	Hub Cap	Couvre-Moyeu	Radkappe	(See Enclosure 2)
12	12791011/0	4	Vite	Screw	Vis	Schraube	
13	322545169/0	1	Piastrina Sinistra, INOX	Left Plate, INOX	Plaquette Gauche, INOX	Plättchen Linke, INOX	
13	81545105/0	1	Piastrina Sinistra	Left Plate	Plaquette G	Plättchen L	
14	12154510/0	4	Dado	Nut	Ecrou	Mutter	
15	81545104/0	1	Piastrina Destra	Right Plate	Plaquette D	Plättchen R	
15	322545167/0	1	Piastrina Destra, INOX	Right Plate, INOX	Plaquette Droite, INOX	Plättchen Rechte, INOX	
16	81002851/0	1	Asse Ruote Posteriore	Axle, Rear Wheels	Axe Roues Arriere	Achse, Hinterrad	
17	12789000/0	2	Vite	Screw	Vis	Schraube	

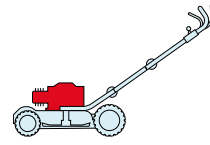


POS.	CODE	Q.TY	DESCRIZIONE	DESCRIPTION	DESCRIPTION	BESCHREIBUNG	REMARKS
18	81003323/0	1	Leva Regolazione Altezza	Lever, Height Adjustment	Levier Reglage Hauteur	Hebel, Höneverstellung	
19	12154330/0	2	Dado	Nut	Ecrou	Mutter	
20	12293200/0	1	Dado	Nut	Ecrou	Mutter	
21	22399812/0	1	Manopolina	Knob	Poignée	Griff	
22	12735661/0	2	Vite	Screw	Vis	Schraube	
23	22551529/0	2	Piastrina	Plate	Plaquette	Plättchen	
24	12521330/0	2	Rosetta	Washer	Rondelle	Scheibe	
25	22033329/0	1	Asta Comando Regol.	Rod, Height Adjustment Control	Tige Commande Reglage Hauteur	Stange, Höneverstellung	
26	12604899/0	2	Fissatore A Corona	Crown Fastener	Fixateur A Couronne	Kronescheibe	
27	22446184/0	1	Molla	Spring	Ressort	Feder	
28	12530150/0	2	Rosetta	Washer	Rondelle	Scheibe	
29	12521350/0	2	Rosetta	Washer	Rondelle	Scheibe	
30	12155000/0	2	Dado	Nut	Ecrou	Mutter	
31	81007382/0	4	Ruota Ø 210	Wheel Ø 210	Roue Ø 210	Rad Ø 210	
32	22110419/0	4	Coprimozzo	Hub Cap	Couvre-Moyeu	Radkappe	

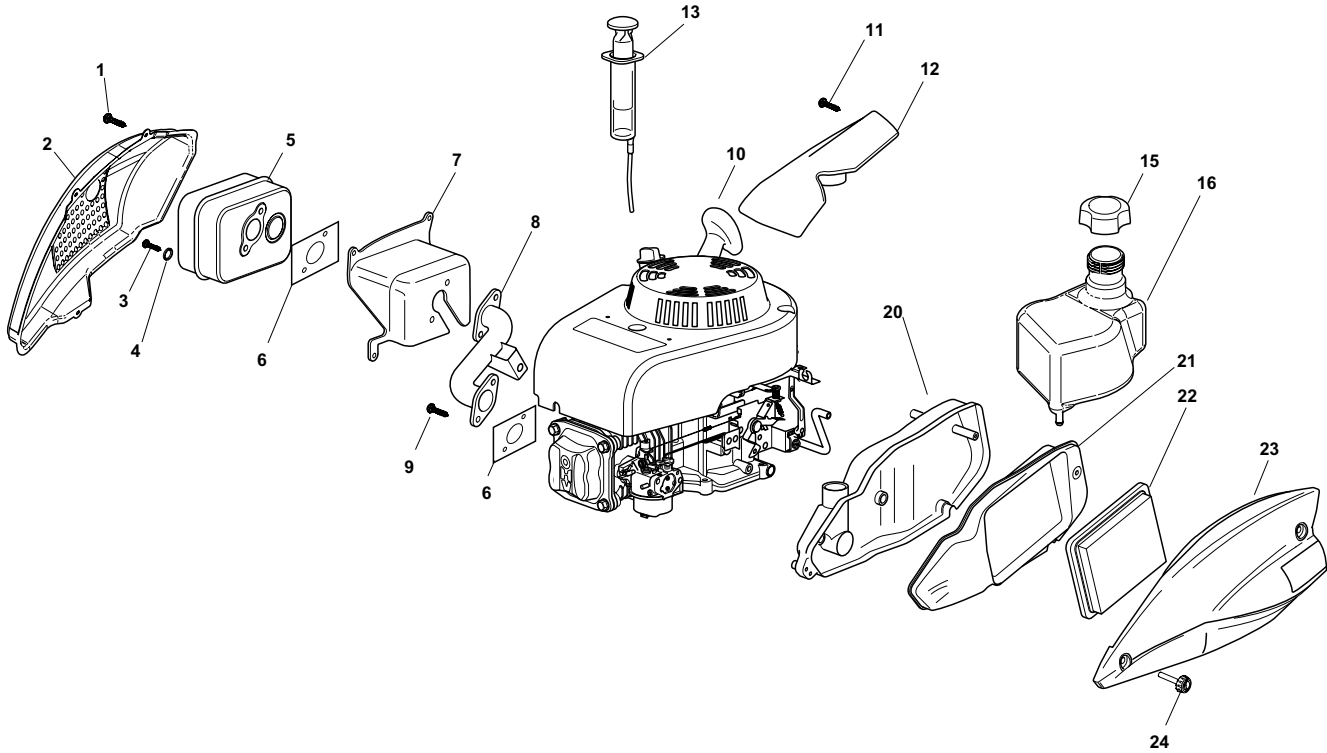
# MCS 504

TR SIL

TR 4S SIL



*silent*

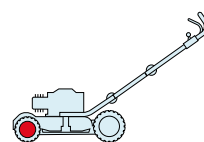


POS.	CODE	Q.TY	DESCRIZIONE	DESCRIPTION	DESCRIPTION	BESCHREIBUNG	REMARKS
1	12735111/0	3	Vite	Screw	Vis	Schraube	
2	322601005/0	1	Protezione Silenziatore	Muffler Protection	Protection Silencieux	Auspuffschutz	
3	112689590/0	2	Vite	Screw	Vis	Schraube	
4	12582100/0	2	Rosetta	Washer	Rondelle	Scheibe	
5	118550269/0	1	Silenziatore	Muffler	Silencieux	Schalldämpfer	
6	118550270/0	2	Guarnizione Silenziatore	Gasket, Muffler	Garniture Silencieux	Schalldämpferdichtung	
7	381750101/0	1	Protezione	Guard	Protection	Schutze	
8	118738233/0	1	Tubo Scarico	Exhaust Tube	Tube Echappement	Abgasungrohr	
9	12735599/0	3	Vite	Screw	Vis	Schraube	
10	118550410/0	1	Motore	Engine	Moteur	Motor	
11	12728700/0	2	Vite	Screw	Vis	Schraube	
12	322785269/0	1	Coperchio	Cover	Couvercle	Deckel	
13	18718000/0	1	Siringa	Syringe	Seringue	Spritze	
15	27790000/1	1	Tappo Serbatoio	Cap	Bouchon	Tankverschluss	
16	322735150/0	1	Serbatoio	Tank	Reservoir	Tank	
20	322785268/0	1	Base Filtro Aria	Air Cleaner Base	Base Filtre Air	Luftfilterbasis	
21	322785267/0	1	Coperchio	Cover	Couvercle	Deckel	
22	118550257/0	1	Elemento Filtrante	Air Filter	Element Filtrant	Filterelement	
23	322109746/0	1	Coperchio Filtro Aria	Air Cleaner Cover	Couvercle Filtre Air	Luftfilterdeckel	
24	381004362/0	2	Vite	Screw	Vis	Schraube	

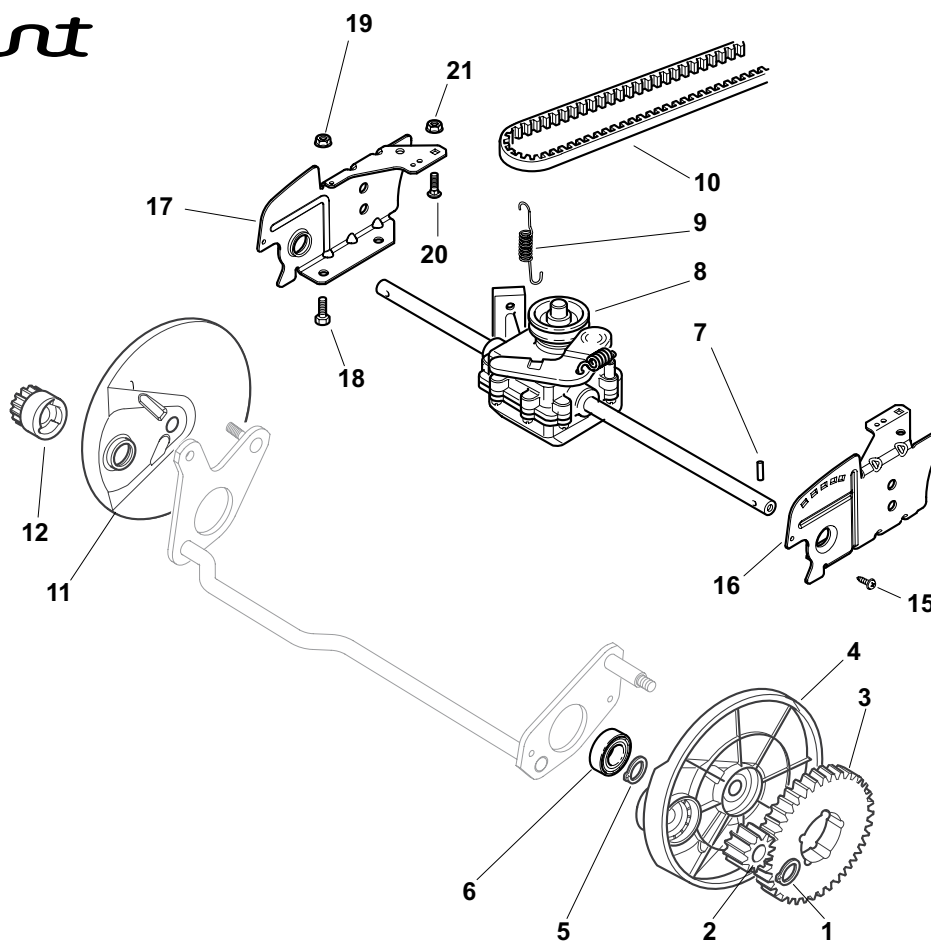
# MCS 504

TR SIL

TR 4S SIL



*silent*

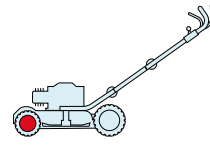


POS.	CODE	Q.TY	DESCRIZIONE	DESCRIPTION	DESCRIPTION	BESCHREIBUNG	REMARKS
1	12608600/0	2	Seeger	Seeger	Seeger	Seeger	
2	22570120/1	1	Pignone Sx	Pinion L	Pignon G	Ritzel Linkes	
3	22120105/1	2	Corona	Ring Gear	Couronne	Kranz	
4	22600092/0	1	Prot. Ruote Sx	Protection, L Wheel	Protection Roue G	Schütz, Linkes	
5	12608600/0	2	Seeger	Seeger	Seeger	Seeger	
6	19216035/0	2	Cuscinetto	Bearing	Coussinet	Lager	
7	22753000/0	2	Spina	Pin	Goupille	Stift	
8	81003095/0	1	Gruppo Trazione	Gear Box	Groupe Traction	Antrieb	
9	22450437/0	1	Molla	Spring	Ressort	Feder	
10	35063902/0	1	Cinghia Z 29.5	Belt Z 29.5	Courroie Z 29.5	Riemen Z 29.5	
11	22600093/0	1	Prot. Ruote Dx	Protection, R Wheel	Protection Roue D	Schütz, Rechtes	
12	22570110/1	1	Pignone Dx	Pinion R	Pignon D	Ritzel Rechtes	
15	12728450/0	2	Vite	Screw	Vis	Schraube	
16	22778421/0	1	Staffa Sx	Bracket, L	Bride G	Pratze, Linke	
17	22778419/0	1	Staffa Dx	Bracket, R	Bride D	Pratze, Rechte	
18	12792611/0	4	Vite	Screw	Vis	Schraube	
19	12293201/0	4	Dado	Nut	Ecrou	Mutter	
20	12815200/0	2	Vite	Screw	Vis	Schraube	
21	12292102/0	2	Dado	Nut	Ecrou	Mutter	

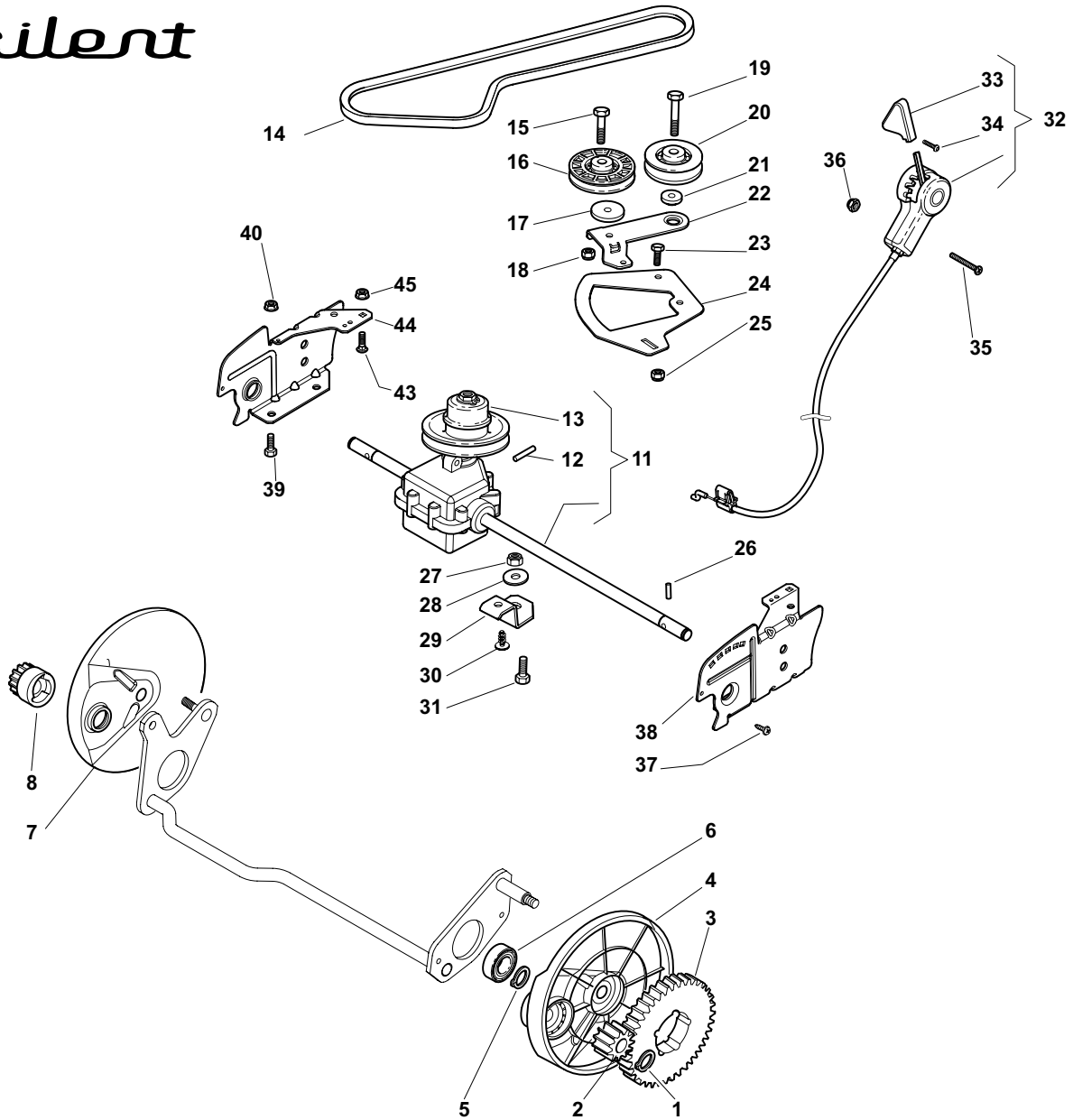
# MCS 504

TR SIL

TR 4S SIL



*silent*



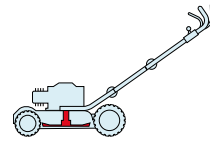
POS.	CODE	Q.TY	DESCRIZIONE	DESCRIPTION	DESCRIPTION	BESCHREIBUNG	REMARKS
1	12608600/0	2	Seeger	Seeger	Seeger	Seeger	
2	22570120/1	1	Pignone Sx	Pinion L	Pignon G	Ritzel Linkes	
3	22120105/1	2	Corona	Ring Gear	Couronne	Kranz	
4	22600092/0	1	Prot. Ruote Sx	Protection, L Wheel	Protection Roue G	Schütz, Linkes	
5	12608600/0	2	Seeger	Seeger	Seeger	Seeger	
6	19216035/0	2	Cuscinetto	Bearing	Coussinet	Lager	
7	22600093/0	1	Prot. Ruote Dx	Protection, R Wheel	Protection Roue D	Schütz, Rechtes	
8	22570110/1	1	Pignone Dx	Pinion R	Pignon D	Ritzel Rechtes	
11	181003098/1	1	Gruppo Trazione	Gear Box	Groupe Traction	Antrieb	
12	12645700/0	1	Spina	Pin	Goupille	Stift	
13	122601925/0	1	Puleggia	Pulley	Poulie	Riemenscheibe	
14	35064010/0	1	Cinghia Zpx 812	Belt Zpx 812	Courroie Zpx 812	Riemen Zpx 812	

POS.	CODE	Q.TY	DESCRIZIONE	DESCRIPTION	DESCRIPTION	BESCHREIBUNG	REMARKS
15	12674701/0	1	Vite	Screw	Vis	Schraube	
16	22601914/0	1	Puleggia	Pulley	Poulie	Riemenscheibe	
17	22680009/0	1	Rosetta	Washer	Rondelle	Scheibe	
18	12154510/0	1	Dado	Nut	Ecrou	Mutter	
19	12689500/0	1	Vite	Screw	Vis	Schraube	
20	22601915/0	1	Puleggia	Pulley	Poulie	Riemenscheibe	
21	22671656/0	1	Distanziale	Spacer	Entretoise	Distanzring	
22	22320007/0	1	Leva	Lever	Levier	Hebel	
23	12791011/0	1	Vite	Screw	Vis	Schraube	
24	22806629/0	1	Supporto	Support	Support	Halter	
25	12154510/0	2	Dado	Nut	Ecrou	Mutter	
26	22753000/0	2	Spina	Pin	Goupille	Stift	
27	12155000/0	1	Dado	Nut	Ecrou	Mutter	
28	12523060/0	1	Rosetta	Washer	Rondelle	Scheibe	
29	22551655/0	1	Supporto	Support	Support	Halter	
30	12728704/0	1	Vite	Screw	Vis	Schraube	
21	12793102/0	1	Vite	Screw	Vis	Schraube	
32	81007112/0	1	Cavo Comando Marce	Cable, Speed Drive Control	Cable, Comm. Change- ment Vitesse	Kabel, Gängeschaltun	
33	22399809/0	1	Manopolina	Knob	Poignée	Griff	
34	12728300/0	1	Vite	Screw	Vis	Schraube	
35	12727787/0	2	Vite	Screw	Vis	Schraube	
36	12154510/0	2	Dado	Nut	Ecrou	Mutter	
37	12728450/0	2	Vite	Screw	Vis	Schraube	
38	22778421/0	1	Staffa Sx	Bracket, L	Bride G	Pratze, Linke	
39	12792611/0	3	Vite	Screw	Vis	Schraube	
40	12293201/0	3	Dado	Nut	Ecrou	Mutter	
43	12815200/0	2	Vite	Screw	Vis	Schraube	
44	22778419/0	1	Staffa Dx	Bracket, R	Bride D	Pratze, Rechte	
45	12292102/0	2	Dado	Nut	Ecrou	Mutter	

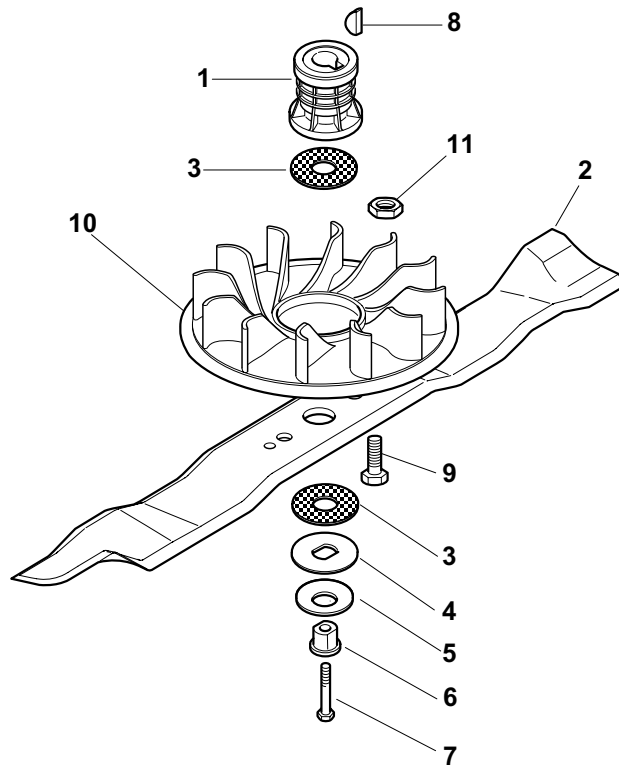
MCS 504

TR SIL

TR 4S SIL



*silent*



POS.	CODE	Q.TY	DESCRIZIONE	DESCRIPTION	DESCRIPTION	BESCHREIBUNG	REMARKS
1	22465611/0	1	Mozzo Con Puleggia, Albero Motore Ø 22.2	Hub With Pulley, Crankshaft Ø 22.2	Moyeu Avec Poulie, Arbre Moteur Ø 22.2	Nabe Mit Scheibe, Motorwelle Ø 22.2	
2	181004148/0	1	Coltello	Blade	Lame	Messer	
3	22672110/1	2	Rondella Frizione	Clutch Washer	Rondelle Friction	Kupplungscheibe	
4	22672105/0	1	Rosetta	Washer	Rondelle	Scheibe	
5	12508120/0	1	Molla A Tazza	Cupped Spring	Ressort	Teller Feder	
6	22041940/0	1	Bussola Frizione	Clutch Bush	Douille Friction	Kupplungsscheibe	
7	12736850/0	1	Vite	Screw	Vis	Schraube	
8	12139100/0	1	Linguetta, Albero Motore Ø 22.2	Feather, Crankshaft Ø 22.2	Clavette, Arbre Moteur Ø 22.2	Keil, Motorwelle Ø 22.2	
9	12791400/0	2	Vite	Screw	Vis	Schraube	
10	322465635/0	1	Mozzo Girante	Hub Fan	Moyeu Ventilateur	Läufendenabe	
11	12154510/0	2	Dado	Nut	Ecrou	Mutter	