

TRE0701

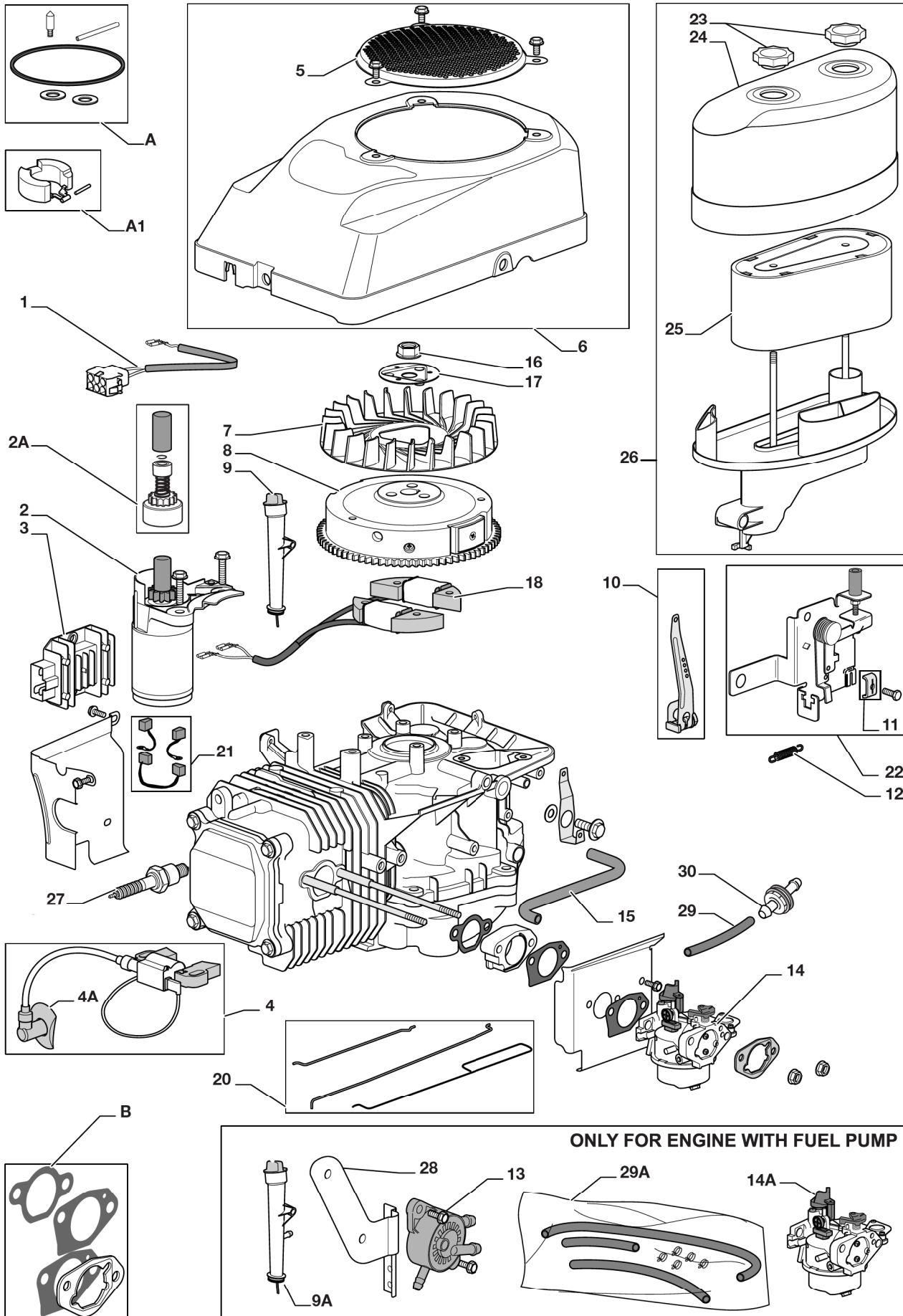
432 cc



2009

322.0

1 / 5





N.	CODE	Q.TY	DESCRIZIONE	DESCRIPTION	DESCRIPTION	BESCHREIBUNG
1	118550207/0	1	CABLAGGIO REGOLATORE	OUTPUT WIRE, RECTIFIER	CABLAGERS RECTIFIER	KABELRECTIFIER
2	118550214/0	1	ASS. MOTORINO AVVIAMENTO	START MOTOR ASSY	ENS. MOTEUR DE DEMARREUR	MOTOR KOMPL., ANLASSER
2A	118550365/1	1	KIT RIPARAZIONE	KIT REPAIR	KIT RÉPARATION	SATZ REPARATUR
3	118550208/0	1	REGOLATORE	RECTIFIER	RECTIFIER	RECTIFIER
4	118550209/0	1	BOBINA ELETTRONICA	ELETTRONIC COIL	BOBINE ÉLECTRONIQUE	ELEKTRONIKSPULE
4A	118550448/0	1	TERMINALE FILO CANDELA	SPARK PLUG TERMINAL	BORNE FIL BOUGIE	DRAHTENDE ZÜNDKERZE
5	118550203/0	1	COPRIVENTILATORE	FAN COVER	COUVERCLE VENTILATEUR	VENTILATOR-DECKEL
6	118550215/0	1	ASS. CAPPOTTINA	COVER ASSY	ENS. CAPOT	SATZ HAUBE
7	118550235/0	1	VENTOLA VOLANO	FLYWHEEL FAN	VENTILATEUR	GEBLÄSE
8	118550234/1	1	ASS. VOLANO C/MASSE	FLYWHEEL ASS.Y	ENS. VOLANT	SCHWUNGRAD MAGNET
9	118550205/1	1	ASS. TUBO LIVELLO OLIO	OIL FILLER ASSY	ENSEMBLE TUYAU NIVEAU HUILE	GESAMTANSICHT ÖLSTANDROHR
9A	118550444/0	1	ASS. TUBO LIVELLO OLIO (POMPA BENZINA)	OIL FILLER ASSY (FUEL PUMP)	ENSEMBLE TUYAU NIVEAU HUILE (POMPE ESSENCE)	GESAMTANSICHT ÖLSTANDROHR (SATZ ÖLBENZINE)
10	118550330/1	1	LEVA COMANDO ACC.	ARM GOVERNOR ASSY	ENS. GOUVERNEUR LEVIER	HEBEL
11	118550212/0	1	FERMAGLIO CAVO	CASING CLAMP	BOUCLE CABLE	KABELKLEMME
12	118550213/0	1	MOLLA	SPRING	RESSORT	FEDER
13	118550349/1	1	ASS. POMPA BENZINA	FUEL PUMP ASSY	POMPE ESSENCE	SATZ ÖLBENZINE
14	118550374/0	1	CARBURATORE	CARBURETTOR	CARBURATEUR	VERGASER
14A	118550375/0	1	CARBURATORE (POMPA BENZINA)	CARBURETTOR (FUEL PUMP)	CARBURATEUR (POMPE ESSENCE)	VERGASER (SATZ ÖLBENZINE)
15	118550225/1	1	TUBO SFIATO	BREATHER FULE PIPE	TUYAU SOUPIRAIL	ENTLÜFTERROHR
16	118550237/0	1	DADO	NUT	ECROU	MUTTER
17	118550236/0	1	COPPA AVVIAMENTO	STARTER CUP	COUPE DÉMARREUR	STARTERGEHÄUSE
18	118550210/1	1	ASS. CARICA BOBINA	COIL ASSY, CHARGE	ENS. BOBINE, CHARGEUR	SPULELADEGERAT
20	118550239/1	1	ASS. ASTE CONTR. ACCELERATORE	GOVERNOR ROD ASSY	ENS. ROD DU GOUVERNEUR	REGLER-GESTÄNGE
21	118550332/1	1	SPAZZOLA	BRUSHHOLD	BROSS	BÜRSTEN
22	118550331/1	1	ASS. COMANDO ACCELERATORE	REMOTE CONTROL ASSY	ENS. COMAND DU ACCELERATEUR	SATZ GASGESTANGE
23	118550201/0	2	MANOPOLA	KNOB	POIGNEE	KNOPF
24	118550200/0	1	COPERCHIO FILTRO ARIA	AIR CLEANER COVER	COUVERCLE FILTRE AIR	LUFTFILTERDECKEL
25	118550199/0	1	FILTRO ARIA	AIR FILTER	ELEMENT FILTRANT	FILTERELEMENT
26	118550202/1	1	ASS. FILTRO ARIA	AIR CLEANER ASSY	ENS. FILTRE A AIR	LUFTFILTER
27	9400-0244-00	1	CANDELA	SPARK PLUG	BOUGIE	ZÜNDKERZE
28	118550348/1	1	SUPPORTO POMPA BENZINA	FUEL PUMP STIFFERNING	SUPPORT POMPE ESSENCE	UNTERSTÜTZUNGSPUMPE BENZIN
29	118550432/0	1	TUBO CARBURANTE	FUEL PIPE	CONDUITE COMBUSTIBLE	KRAFTSTOFFLEITUNG
29A	118550441/0	1	TUBO CARBURANTE (POMPA BENZINA)	FUEL PIPE (FUEL PUMP)	CONDUITE COMBUSTIBLE (POMPE ESSENCE)	KRAFTSTOFFLEITUNG (SATZ ÖLBENZINE)
30	118550354/1	1	FILTRO CARBURANTE	SCREEN	FILTRE CARBURANT	TREIBSTOFFFILTER
A	118550442/0	1	KIT GUARNIZIONI CARBURATORE	CARBURETTOR GASKET SET	KIT GARNITURES CARBURATEUR	SATZ DICHTUNGEN FÜR VERGASER
A1	118550440/0	1	KIT RIPARAZIONE CARBURATORE	KIT REPAIR, CARBURETTOR	KIT RÉPARATION CARBURETEUR	SATZ REPARATUR, VERGASER
B	118550217/0	1	ASS. GUARNIZIONI	GASKET SET	KIT GARNITURES	SATZ DICHTUNGEN



TRE0701

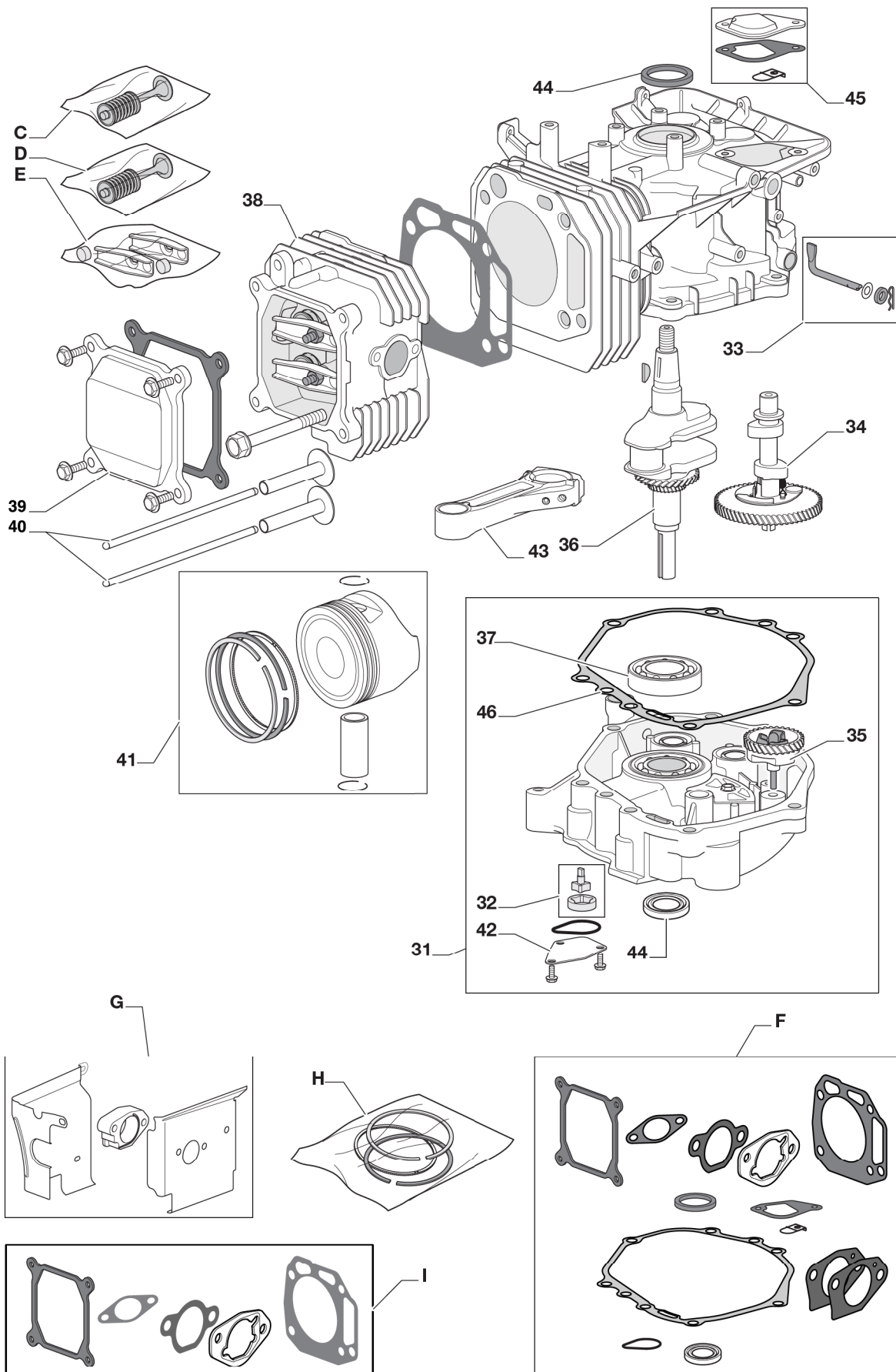
432 cc



2009

322.0

3 / 5





N.	CODE	Q.TY	DESCRIZIONE	DESCRIPTION	DESCRIPTION	BESCHREIBUNG
31	118550445/0	1	ASS. CARTER MOTORE	CRANKCASE COVER ASSY	ENS. CARTER MOTEUR	SATZ MOTORGEHÄUSE
32	118550224/0	1	ASS. POMPA OLIO	OIL PUMP	POMPE À HUILE	SATZ ÖLPUMPE
33	118550226/0	1	ASS. ALBERO REGOLATORE	SHAFT, GOVERNOR ARM ASSY	TRINGLE COMMANDE DE PUISSANCE DE CARBURATEUR	VERGASERLEISTUNGSHEBEL- GESTÄNGE
34	118550243/0	1	ALBERO CAMME	CAMSHAFT ASSY	ARBRE À CAMES	NOCKENWELLE
35	118550347/0	1	ASS. REGOLATORE	SPEED GOVERNOR ASSY	ENS. RÉGULATEUR DE VITESSE	SATZ DREZAHLREGLER
36	118550232/0	1	ASS. ALBERO MOTORE	CRANKSHAFT	ARBRE MOTEUR	SET MOTORWELLE
37	118550227/0	1	CUSCINETTO	BEARING	ROULEMENT	KUEGELLAGER
38	118550233/0	1	ASS. TESTA CILINDRO	CYLINDER HEAD ASSY	ENS. CULASSE DU CYLINDRE	ZYLINDERKOPF
39	118550206/0	1	COPERCHIO VALVOLE	COVER COMP., HEAD	CACHE-SOUPAPES	VENTILABDECKUNG
40	118550242/0	1	ASS. ASTE DI PUNTERIA	PUSH RODS ASSY	ENS. TIGE	SATZ STANGE
41	118550329/1	1	ASS. PISTONE	PISTON ASSY	ENS.PISTON	SET KOLBEN
42	118550223/0	1	COPERCHIO POMPA OLIO	OLI PUMP COVER	COUVERCLE POMPE À HUILE	ÖLPUMPE DECKEL
43	118550231/0	1	ASS. BIELLA MOTORE	CONNECTING ROD ASSY	ENS. BIELLE	SET PLEUELSTANGE
44	118550443/0	1	ANELLO DI TENUTA	OIL SEAL	ANNEAU DE TENUE	DICHTRING
45	118550446/0	1	ASS. GUARNIZIONE SFIATO OLIO	GASKET ASSY	ENS. GARNITURES	SATZ DICHTUNGEN
46	118550355/1	1	GUARNIZIONE CARTER MOTORE	CRANKCASE GASKET	GARNITURE CARTER	GEHÄUSEDICHTUNG
C	118550240/0	1	ASS. VALVOLA ASPIRAZIONE	INTAKE VALVE ASSY	ENS. SOUPAPE ASPIRATION	SATZ ANSAUGVENTIL
D	118550241/0	1	ASS. VALVOLA SCARICO	EXHAUST VALVE ASSY	ENS. SOUPAPE ÉVACUATION	SATZ ABFLUSSVENTIL
E	118550334/0	1	SET BILANCIERI VALVOLE	VALVE ARM SET	ENS. CULBUTEUR	SATZ KIPPEBEL
F	118550450/0	1	ASS. GUARNIZIONI MOTORE	ENGINE GASKET SET	KIT GARNITURES MOTEUR	SATZ DICHTUNGEN MOTOR
G	118550220/0	1	KIT PROTEZIONI MOTORE	ENGINE GUARD ASSY	ENS. PROTECTION MOTEUR	SATZ SCHUTZ MOTOR
H	118550447/0	1	ASS. FASCE ELASTICHE	PISTON, RING SET	ENS. BAGUES ÉLASTIQUES	SET ELASTISCHE RINGE
I	118550449/0	1	ASS. GUARNIZIONI TESTA CILINDRO	CYLINDER HEAD GASKET SET	CULASSE CYLINDRE KIT GARNITURES	SATZ DICHTUNGEN ZYLINDERKOPF



TRE0701

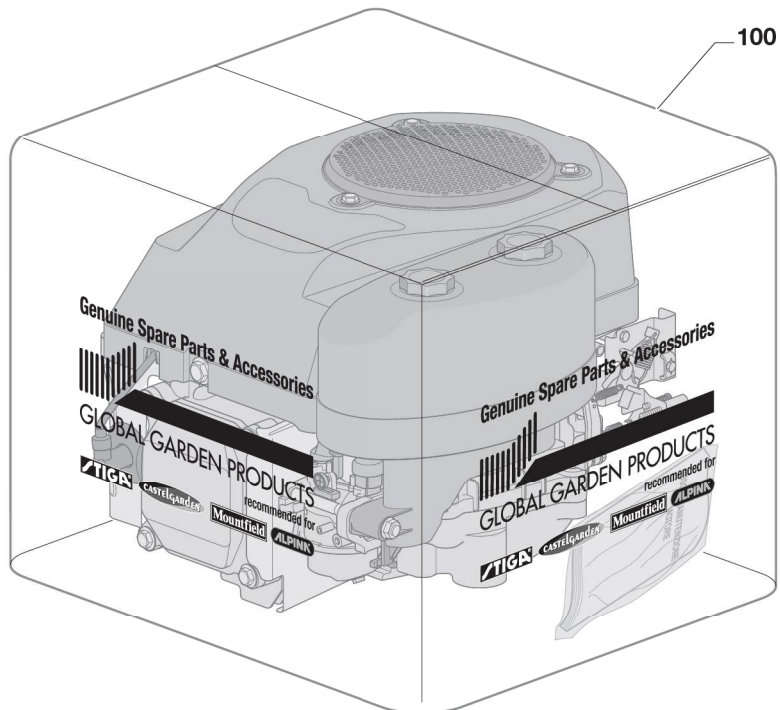
432 cc



2009

322.0

5 / 5



N.	CODE	Q.TY	DESCRIZIONE	DESCRIPTION	DESCRIPTION	BESCHREIBUNG
100	118550451/0	1	MOTORE COMPLETO	ENGINE ASSEMBLED	MOTEUR COMPLETE	MOTOR KOMPLETT



