

Parts Catalogue

for model
TCB 122 Hydro

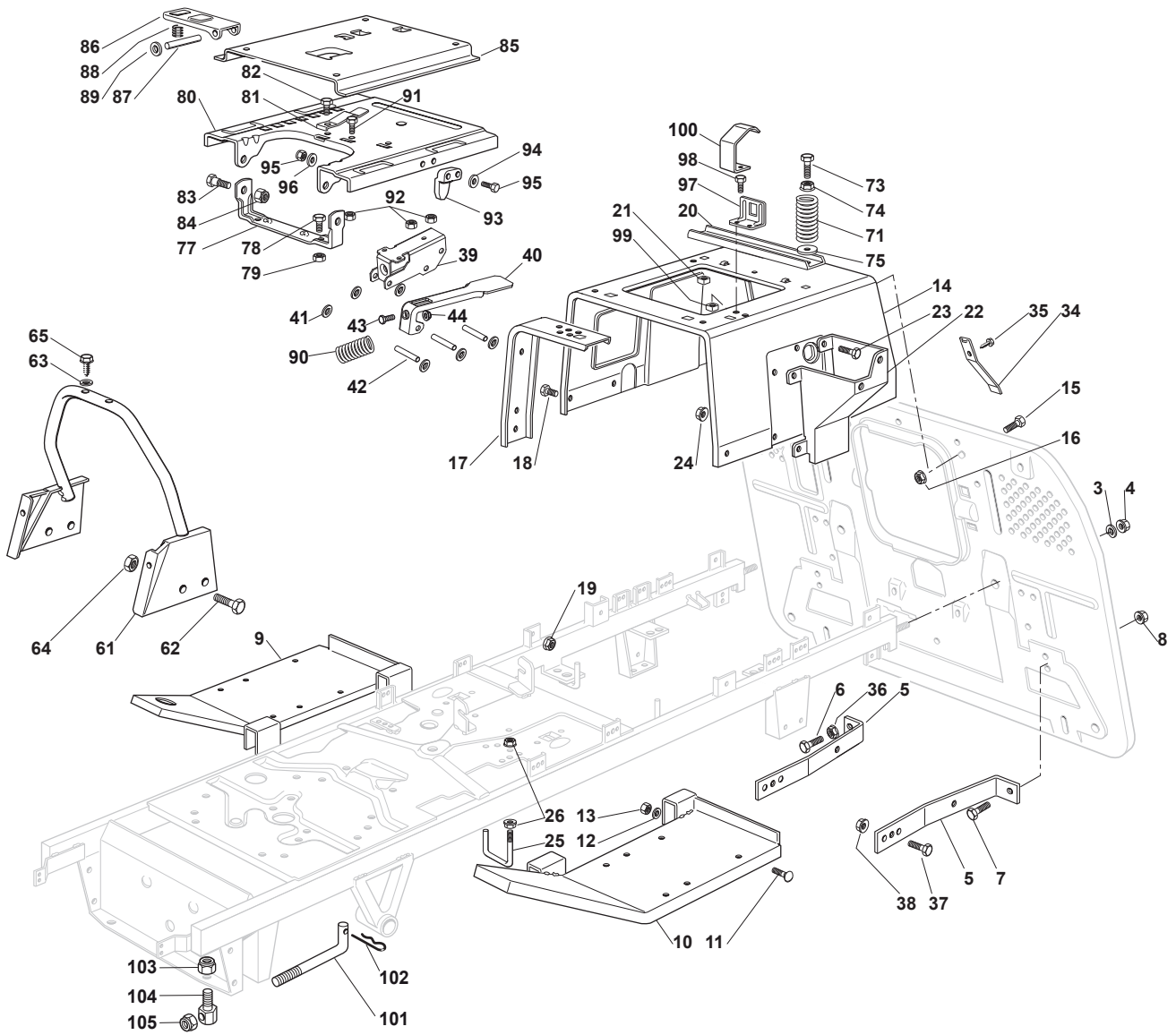
- Use GLOBAL GARDEN PRODUCT Genuine Spare Parts specified in the parts list for repair and/or replacement.
- The contents described in the parts list may change due to improvement.
- The drawings of the spare parts are only indicative and might not represent the part in question exactly.
- The indications "right" - "left" - "front" - "rear" refer to the position of the operator when using the machine.
- When placing orders of parts for repair and/or replacement, make sure that the illustrated parts list is the one applying to the machine's year of manufacture, as shown on the identification plate attached to the machine.

© Copyright 2015 Global Garden Products

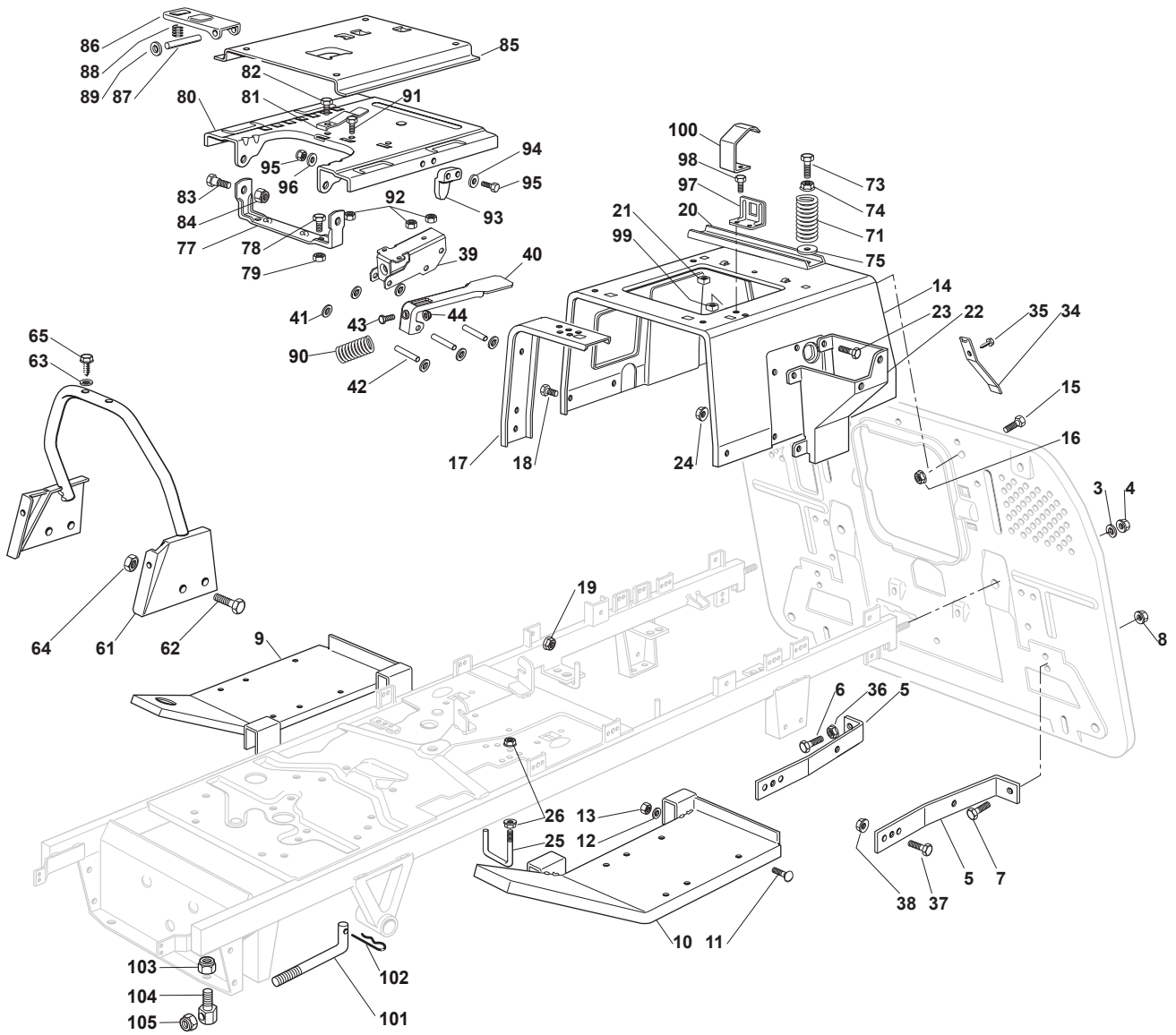
All content is subject to copyright by Global Garden Products and may not be reproduced in whole or in part by any means, electronic or otherwise, without prior written approval.

THIS INFORMATION IS NOT INTENDED FOR SALE OR RESALE, AND THIS NOTICE MUST REMAIN ON ALL COPIES.

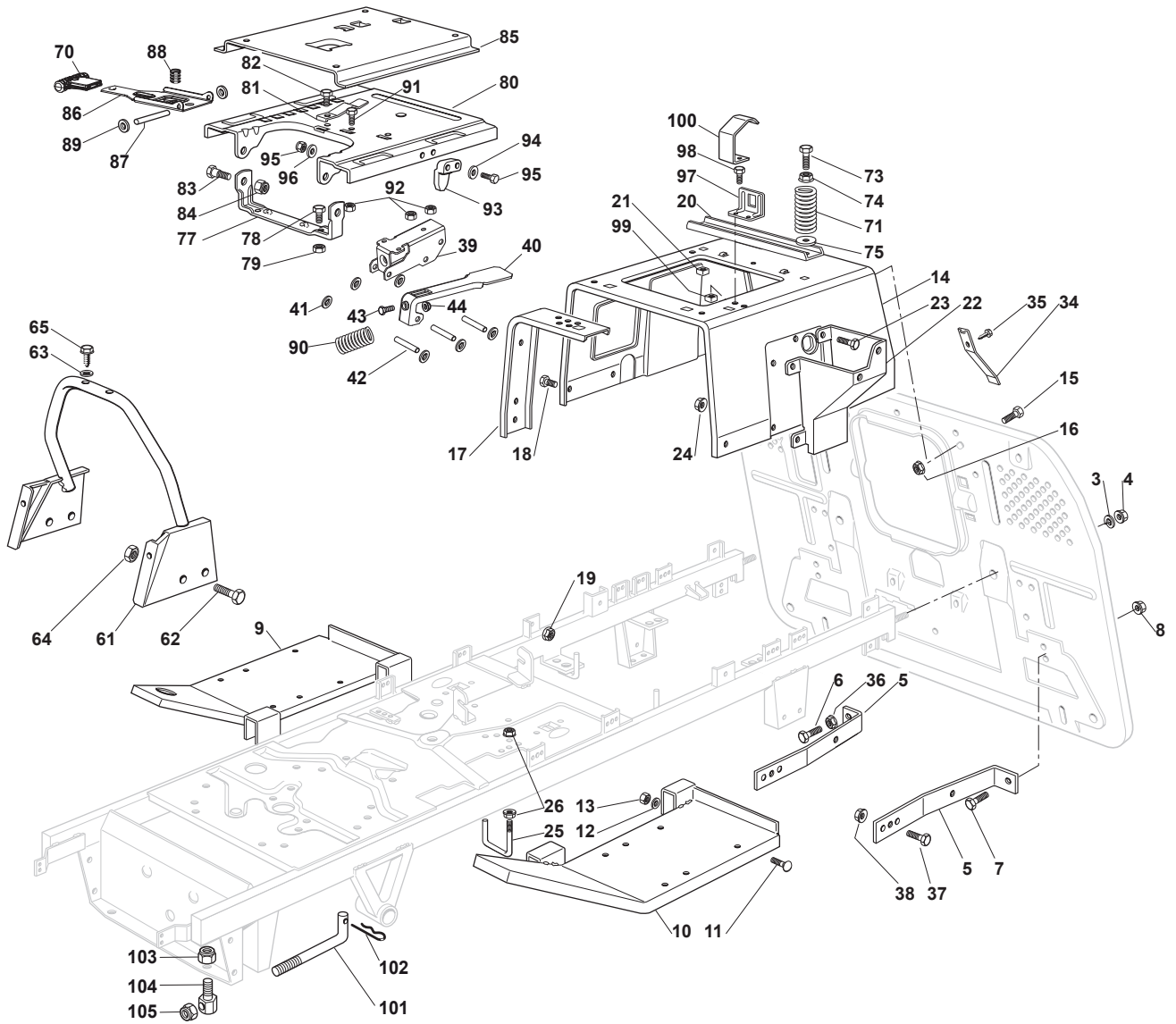




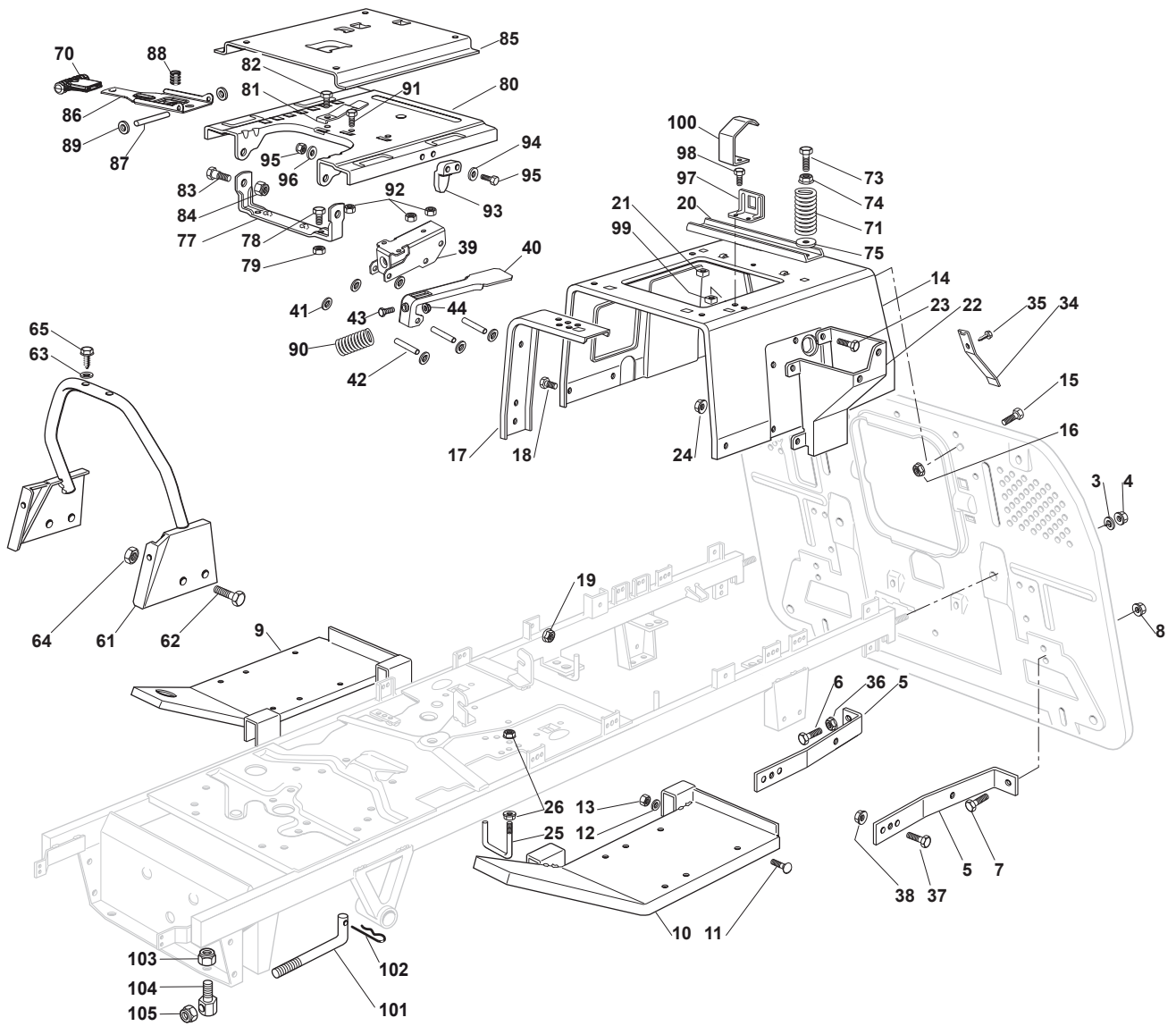
| Fig. | Q.ty | Part No | Description | Notes |
|------|------|-------------|-------------------------|-------|
| 3 | 2 | 112585100/0 | Washer | |
| 4 | 2 | 112295200/0 | Nut | |
| 5 | 2 | 325774273/1 | Stiffening | |
| 6 | 1 | 112691100/0 | Screw | |
| 7 | 3 | 112793102/0 | Screw | |
| 8 | 4 | 112293201/0 | Nut | |
| 9 | 1 | 382510041/2 | Right Footboard Support | |
| 10 | 1 | 382510043/2 | Left Footboard Support | |
| 11 | 4 | 112815245/0 | Screw | |
| 12 | 4 | 112523040/0 | Washer | |
| 13 | 4 | 112154510/0 | Nut | |
| 14 | 1 | 325785133/5 | Seat Support | |
| 15 | 5 | 112791011/0 | Screw | |
| 16 | 5 | 112292102/0 | Nut | |
| 17 | 2 | 325650065/0 | Stiffening | |
| 18 | 6 | 112791011/0 | Screw | |
| 19 | 6 | 112292102/0 | Nut | |
| 20 | 1 | 325650067/0 | Stiffening | |
| 21 | 2 | 112360420/0 | Nut | |
| 22 | 1 | 325785137/1 | Support | |
| 23 | 4 | 112791011/0 | Screw | |
| 24 | 4 | 112292102/0 | Nut | |
| 25 | 1 | 125580019/0 | Belt Guide Peg | |
| 26 | 2 | 112292102/0 | Nut | |
| 34 | 1 | 125430238/1 | Spring | |
| 35 | 1 | 112731580/0 | Screw | |
| 36 | 1 | 112293200/0 | Nut | |
| 37 | 2 | 112793102/0 | Screw | |
| 38 | 2 | 112293201/0 | Nut | |
| 39 | 1 | 325774575/0 | Fulcrum Clamp | |
| 40 | 1 | 325318327/0 | Lever | |
| 41 | 6 | 112604896/0 | Crown Fastener | |
| 42 | 3 | 122517866/0 | Pin | |
| 43 | 1 | 112735661/0 | Screw | |
| 44 | 1 | 112154510/0 | Nut | |
| 61 | 1 | 382650045/0 | Chassis | |
| 62 | 4 | 112792611/0 | Screw | |
| 63 | 2 | 112521330/0 | Washer | |
| 64 | 4 | 112292102/0 | Nut | |
| 65 | 2 | 112731350/0 | Screw | |
| 71 | 2 | 125430205/1 | Spring | |
| 73 | 2 | 125943001/1 | Screw | |
| 74 | 2 | 112293201/0 | Nut | |
| 75 | 2 | 112523070/0 | Washer | |
| 77 | 1 | 382774207/0 | Seat Clamp Support | |
| 78 | 2 | 112792611/0 | Screw | |
| 79 | 2 | 112293201/0 | Nut | |
| 80 | 1 | 325785149/3 | Fixed Seat Support | |
| 81 | 1 | 125430203/1 | Spring | |
| 82 | 1 | 112731580/0 | Screw | |
| 83 | 2 | 122524970/2 | Fulcrum Pin | |



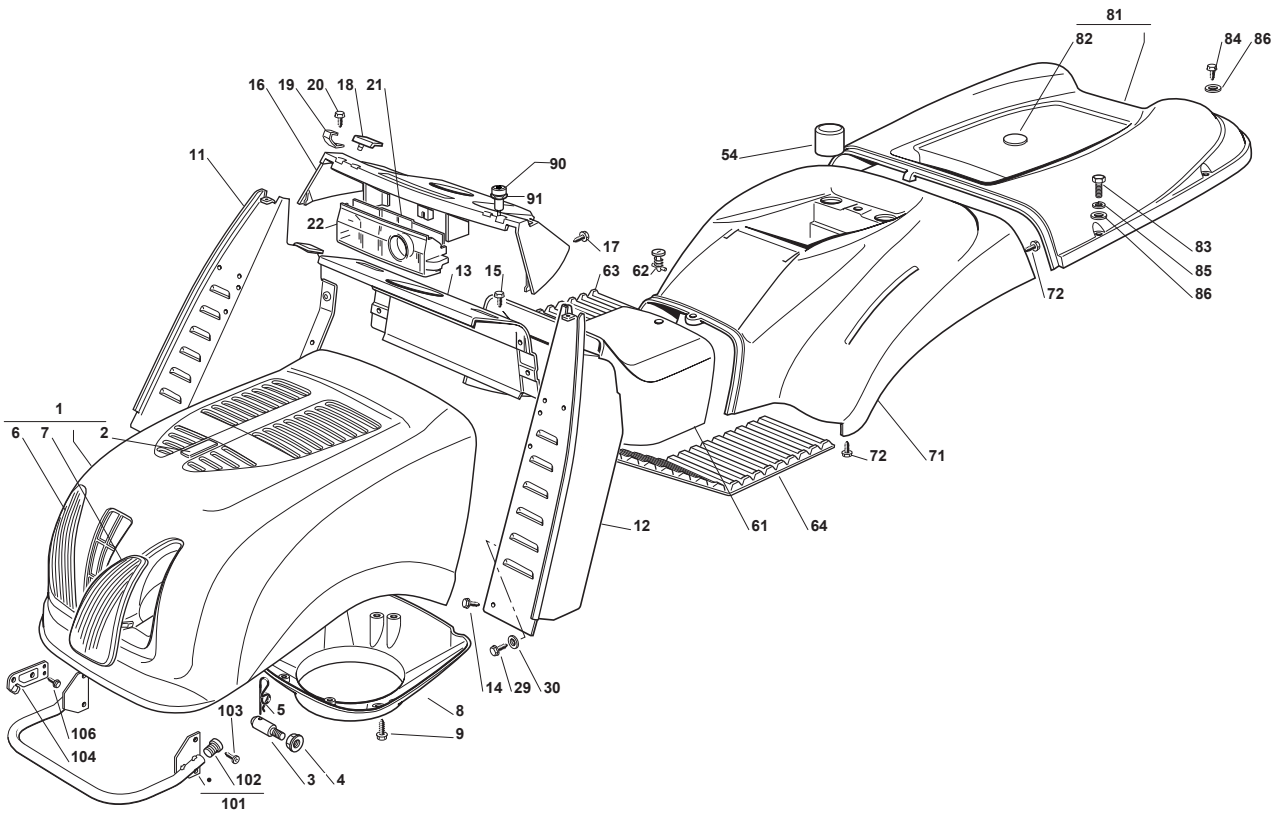
| Fig. | Q.ty | Part No | Description | Notes |
|------|------|-------------|-----------------|-------|
| 84 | 2 | 112155010/0 | Nut | |
| 85 | 1 | 325785147/2 | Seat Support | |
| 86 | 1 | 325318109/1 | Stop Lever | |
| 87 | 1 | 125510000/0 | Pin | |
| 88 | 1 | 125430202/1 | Spring | |
| 89 | 2 | 112604897/0 | Elastic Washer | |
| 90 | 1 | 125430285/0 | Spring | |
| 91 | 1 | 112789000/0 | Screw | |
| 92 | 1 | 112154330/0 | Nut | |
| 93 | 1 | 325060049/0 | Seat Switch Cam | |
| 94 | 2 | 112815050/0 | Screw | |
| 95 | 4 | 112521320/0 | Washer | |
| 96 | 2 | 112154330/0 | Nut | |
| 97 | 1 | 325755025/1 | Bracket | |
| 98 | 2 | 112735110/0 | Screw | |
| 99 | 2 | 112437502/0 | Plate | |
| 100 | 1 | 325430255/0 | Spring | |
| 101 | 2 | 125510119/0 | Tie Rod | |
| 102 | 2 | 124487997/0 | Cotter Pin | |
| 103 | 2 | 125510040/1 | Pin | |
| 104 | 2 | 112155000/0 | Nut | |
| 105 | 2 | 112155000/0 | Nut | |



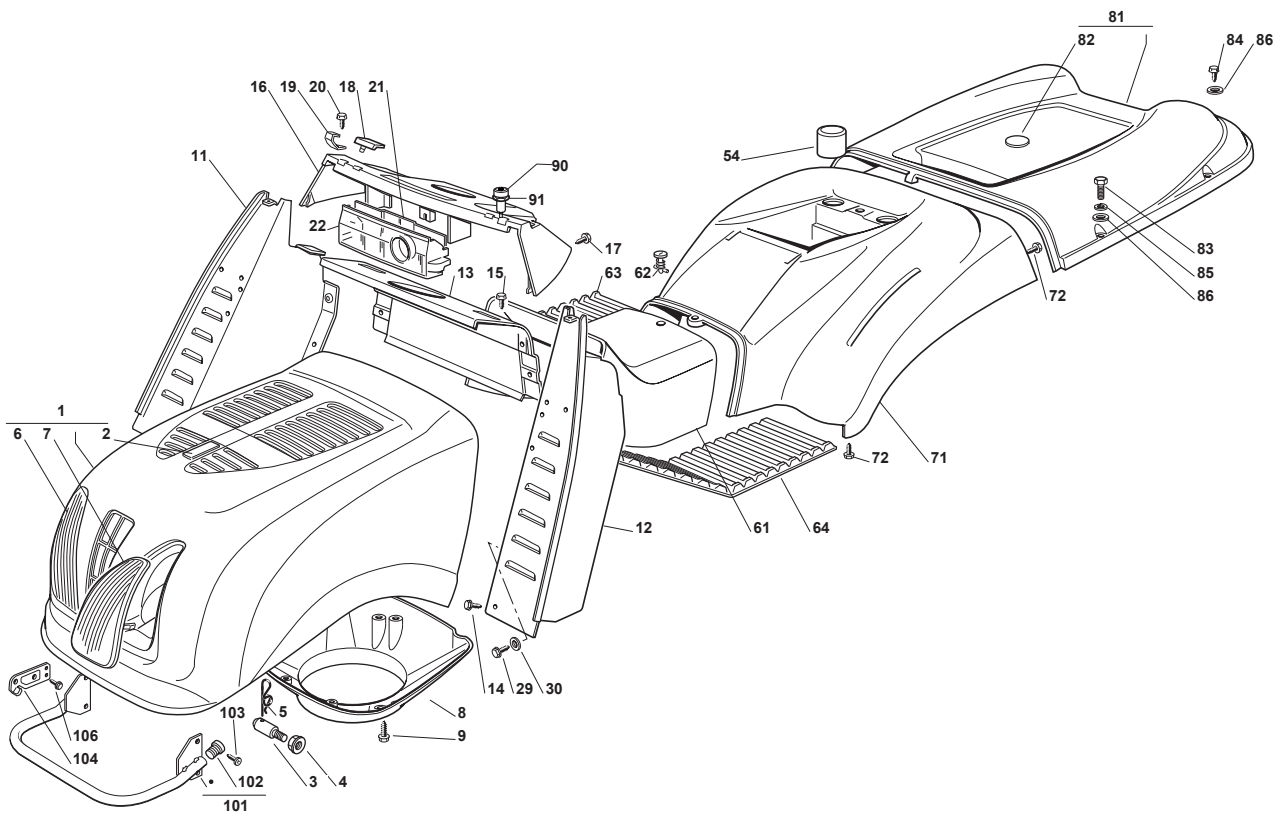
| Fig. | Q.ty | Part No | Description | Notes |
|------|------|-------------|-------------------------|-------|
| 3 | 2 | 112585100/0 | Washer | |
| 4 | 2 | 112295200/0 | Nut | |
| 5 | 2 | 325774273/1 | Stiffening | |
| 6 | 1 | 112691100/0 | Screw | |
| 7 | 3 | 112793102/0 | Screw | |
| 8 | 4 | 112293201/0 | Nut | |
| 9 | 1 | 382510041/2 | Right Footboard Support | |
| 10 | 1 | 382510043/2 | Left Footboard Support | |
| 11 | 4 | 112815245/0 | Screw | |
| 12 | 4 | 112523040/0 | Washer | |
| 13 | 4 | 112154510/0 | Nut | |
| 14 | 1 | 325785133/5 | Seat Support | |
| 15 | 5 | 112791011/0 | Screw | |
| 16 | 5 | 112292102/0 | Nut | |
| 17 | 2 | 325650065/0 | Stiffening | |
| 18 | 6 | 112791011/0 | Screw | |
| 19 | 6 | 112292102/0 | Nut | |
| 20 | 1 | 325650067/0 | Stiffening | |
| 21 | 2 | 112360420/0 | Nut | |
| 22 | 1 | 325785137/1 | Support | |
| 23 | 4 | 112791011/0 | Screw | |
| 24 | 4 | 112292102/0 | Nut | |
| 25 | 1 | 125580019/0 | Belt Guide Peg | |
| 26 | 2 | 112292102/0 | Nut | |
| 34 | 1 | 125430238/1 | Spring | |
| 35 | 1 | 112731580/0 | Screw | |
| 36 | 1 | 112293200/0 | Nut | |
| 37 | 2 | 112793102/0 | Screw | |
| 38 | 2 | 112293201/0 | Nut | |
| 39 | 1 | 325774575/0 | Fulcrum Clamp | |
| 40 | 1 | 325318327/0 | Lever | |
| 41 | 6 | 112604896/0 | Crown Fastener | |
| 42 | 3 | 122517866/0 | Pin | |
| 43 | 1 | 112735661/0 | Screw | |
| 44 | 1 | 112154510/0 | Nut | |
| 61 | 1 | 382650045/0 | Chassis | |
| 62 | 4 | 112792611/0 | Screw | |
| 63 | 2 | 112521330/0 | Washer | |
| 64 | 4 | 112292102/0 | Nut | |
| 65 | 2 | 112731350/0 | Screw | |
| 70 | 1 | 322394505/0 | Knob | |
| 71 | 2 | 125430205/1 | Spring | |
| 73 | 2 | 125943001/1 | Screw | |
| 74 | 2 | 112293201/0 | Nut | |
| 75 | 2 | 112523070/0 | Washer | |
| 77 | 1 | 382774207/0 | Seat Clamp Support | |
| 78 | 2 | 112792611/0 | Screw | |
| 79 | 2 | 112293201/0 | Nut | |
| 80 | 1 | 325785149/3 | Fixed Seat Support | |
| 81 | 1 | 125430203/1 | Spring | |
| 82 | 1 | 112731580/0 | Screw | |



| Fig. | Q.ty | Part No | Description | Notes |
|------|------|-------------|-----------------|-------|
| 83 | 2 | 122524970/2 | Fulcrum Pin | |
| 84 | 2 | 112155010/0 | Nut | |
| 85 | 1 | 325785147/2 | Seat Support | |
| 86 | 1 | 325318303/0 | Stop Lever | |
| 87 | 1 | 125510000/0 | Pin | |
| 88 | 1 | 125430202/1 | Spring | |
| 89 | 2 | 112604897/0 | Elastic Washer | |
| 90 | 1 | 125430285/0 | Spring | |
| 91 | 1 | 112789000/0 | Screw | |
| 92 | 1 | 112154330/0 | Nut | |
| 93 | 1 | 325060049/0 | Seat Switch Cam | |
| 94 | 2 | 112815050/0 | Screw | |
| 95 | 4 | 112521320/0 | Washer | |
| 96 | 2 | 112154330/0 | Nut | |
| 97 | 1 | 325755025/1 | Bracket | |
| 98 | 2 | 112735110/0 | Screw | |
| 99 | 2 | 112437502/0 | Plate | |
| 100 | 1 | 325430255/0 | Spring | |
| 101 | 2 | 125510119/0 | Tie Rod | |
| 102 | 2 | 124487997/0 | Cotter Pin | |
| 103 | 2 | 125510040/1 | Pin | |
| 104 | 2 | 112155000/0 | Nut | |
| 105 | 2 | 112155000/0 | Nut | |



| Fig. | Q.ty | Part No | Description | Notes |
|------|------|-------------|--|----------------------------------|
| 1 | 1 | 182076918/0 | Green Upper Bonnet | |
| 1 | 1 | 182076919/0 | Blue Upper Bonnet | |
| 1 | 1 | 382076917/1 | Engine Hood Red | |
| 2 | 1 | 125547015/0 | Plate Green | |
| 2 | 1 | 125547024/0 | Blue Plate | |
| 2 | 1 | 325547016/2 | Red Injection Plate | |
| 3 | 2 | 125510068/0 | Pin | |
| 4 | 2 | 112293201/0 | Nut | |
| 5 | 1 | 124487998/0 | Cotter Pin | |
| 6 | 1 | 125410869/0 | Left Headlights Grill Bonnet Brill/Iseki | |
| 7 | 1 | 125410868/0 | Right Headlights Grill Bonnet Brill/Isek | |
| 8 | 1 | 325108024/0 | Conveyor | for Short Conveyor |
| 8 | 1 | 325108028/0 | Conveyor | for Long Conveyor |
| 9 | 3 | 112728686/0 | Screw | |
| 11 | 1 | 382785022/9 | Right Dashboard Support | |
| 12 | 1 | 382785021/8 | Left Dashboard Support | |
| 13 | 1 | 382785137/0 | Central Dashboard Support | |
| 14 | 2 | 112735110/0 | Screw | |
| 15 | 4 | 112735110/0 | Screw | |
| 16 | 1 | 325120258/0 | Black Dashboard | for Standard Electronic Card |
| 16 | 1 | 325120257/0 | Black Dashboard | for Electronic Card with Display |
| 17 | 4 | 112728440/0 | Screw | |
| 18 | 2 | 125260000/0 | Grommet | |
| 19 | 2 | 125430215/1 | Coupling Spring | |
| 20 | 2 | 112728440/0 | Screw | |
| 21 | 1 | 125600007/0 | Electronic Card Protection | |
| 22 | 1 | 125600051/0 | Protection | |
| 29 | 2 | 112731350/0 | Screw | |
| 30 | 2 | 112521330/0 | Washer | |
| 54 | 2 | 325122000/2 | Spring | |
| 61 | 1 | 125110240/0 | Green Central Cover | |
| 61 | 1 | 125110242/0 | Blue Central Cover | |
| 61 | 1 | 325110239/1 | Red Central Cover | |
| 62 | 1 | 125580020/2 | Stake | |
| 63 | 1 | 125110270/0 | Right Footboard Cover | |
| 64 | 1 | 125110260/2 | Left Footboard Cover | |
| 71 | 1 | 325109701/1 | Red Wheels Cover | |
| 71 | 1 | 325109705/0 | Green Wheels Cover | |
| 71 | 1 | 325109709/0 | Blue Wheels Cover | |
| 72 | 4 | 112735402/0 | Screw | |
| 81 | 1 | 182110201/0 | Green Grass-Catcher Cover | |
| 81 | 1 | 182110203/0 | Blue Grass-Catcher Cover | |
| 81 | 1 | 382110200/1 | Red Grass-Catcher Cover | |
| 82 | 1 | 125547026/0 | Green Plate | |
| 82 | 1 | 125547028/0 | Blue Plate | |
| 82 | 1 | 325547025/1 | Red Plate | |
| 83 | 2 | 112674701/0 | Screw | |
| 84 | 4 | 112729601/1 | Screw | |
| 85 | 2 | 112582101/0 | Grower | |
| 86 | 6 | 112521331/0 | Washer | |
| 87 | 1 | 325605003/0 | Button | |

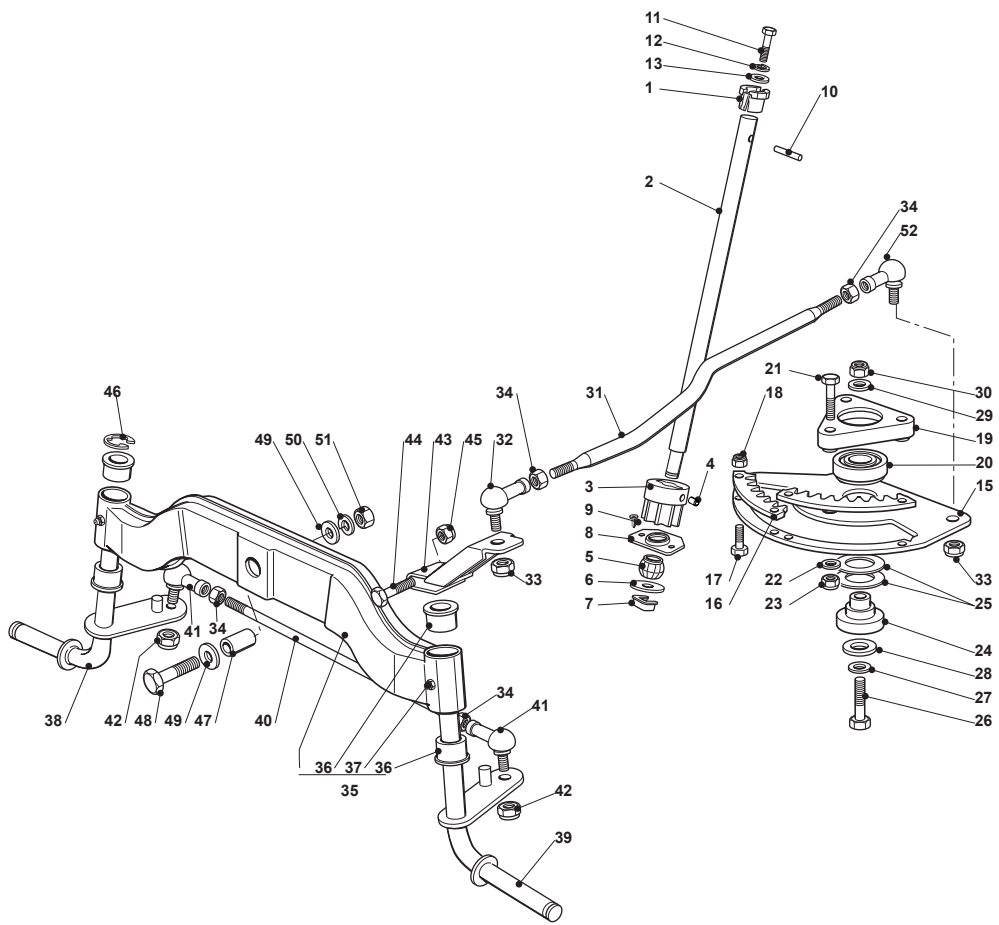


TCB 122 HYDRO

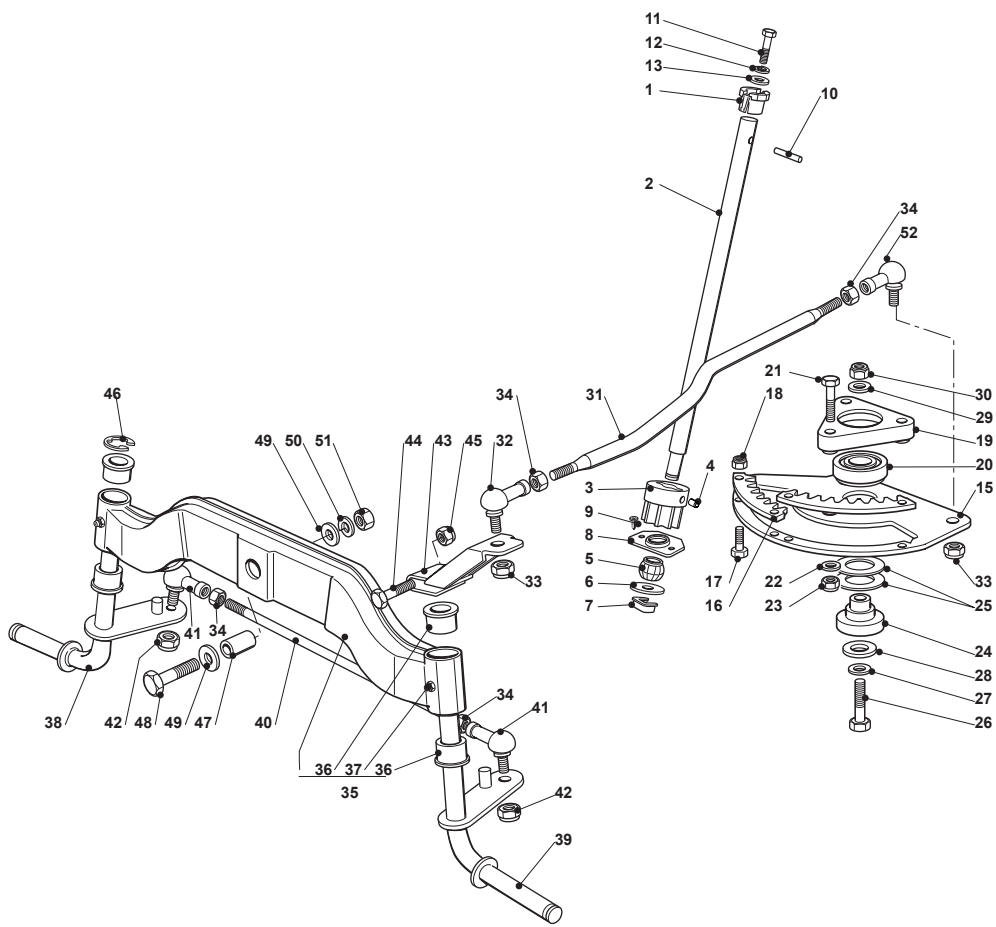
Ride-on 102-122 Body

Issue 17 - 2015

| Fig. | Q.ty | Part No | Description | Notes |
|------|------|-------------|--------------------|-------|
| 88 | 1 | 325256250/0 | Screwed Ring | |
| 101 | 1 | 382869006/1 | Muffler Tube Guard | |
| 102 | 2 | 118566110/0 | Push Rod | |
| 103 | 4 | 112734995/0 | Screw | |
| 104 | 2 | 325547109/2 | Plate | |
| 106 | 4 | 112731580/0 | Screw | |



| Fig. | Q.ty | Part No | Description | Notes |
|------|------|-------------|------------------------------------|-------|
| 1 | 1 | 325038004/0 | Bushing | |
| 2 | 1 | 125520010/0 | Steering Column | |
| 3 | 1 | 125570004/0 | Pinion | |
| 4 | 1 | 112714300/0 | Dowel | |
| 5 | 1 | 325743000/0 | Joint | |
| 6 | 1 | 112521370/0 | Washer | |
| 7 | 1 | 112436030/0 | Plate | |
| 8 | 1 | 325785213/1 | Support | |
| 9 | 2 | 112729601/1 | Screw | |
| 10 | 1 | 112620250/0 | Pin | |
| 11 | 1 | 112691800/0 | Screw | |
| 12 | 1 | 112583500/0 | Grower | |
| 13 | 1 | 112523060/0 | Washer | |
| 15 | 1 | 325735523/0 | Steering Sector | |
| 16 | 2 | 325150000/0 | Rack | |
| 17 | 4 | 112791213/1 | Screw | |
| 18 | 4 | 112154510/0 | Nut | |
| 19 | 1 | 325774453/0 | Clamp | |
| 20 | 1 | 119216047/0 | Bearing | |
| 21 | 3 | 112691100/0 | Screw | |
| 22 | 3 | 112523060/0 | Washer | |
| 23 | 3 | 112155000/0 | Nut | |
| 24 | 1 | 125510120/0 | Support | |
| 25 | 2 | 322672153/0 | Antifriction Washer | |
| 26 | 1 | 112692395/0 | Screw | |
| 27 | 1 | 112523080/0 | Washer | |
| 28 | 1 | 112521390/0 | Washer | |
| 29 | 1 | 112523080/0 | Washer | |
| 30 | 1 | 112156602/0 | Nut | |
| 31 | 1 | 125033003/1 | Steering Rod | |
| 32 | 2 | 122746600/0 | Joint | |
| 32 | 2 | 122746616/0 | Joint | |
| 33 | 2 | 122746609/0 | Joint | |
| 34 | 4 | 112156602/0 | Nut | |
| 35 | 1 | 382034001/3 | Equalizer With Bush And Lubricator | |
| 36 | 4 | 125034002/1 | Bushing | |
| 37 | 2 | 112379511/0 | Grease Dispenser | |
| 38 | 1 | 382230349/0 | Right Stub Axle | |
| 39 | 1 | 382230348/0 | Left Stub Axle | |
| 40 | 1 | 325840001/0 | Tie Rod | |
| 41 | 2 | 122746616/0 | Joint | |
| 42 | 2 | 112156602/0 | Nut | |
| 43 | 1 | 382318101/0 | Lever Ass.Y | |
| 44 | 1 | 112691700/0 | Screw | |
| 45 | 1 | 112155000/0 | Nut | |
| 46 | 1 | 112001000/0 | Benzing Ring | |
| 47 | 1 | 125160005/0 | Spacer | |
| 48 | 1 | 112694100/0 | Screw | |
| 49 | 2 | 112521390/0 | Washer | |
| 50 | 1 | 112587900/0 | Grower | |
| 51 | 1 | 112295800/0 | Nut | |

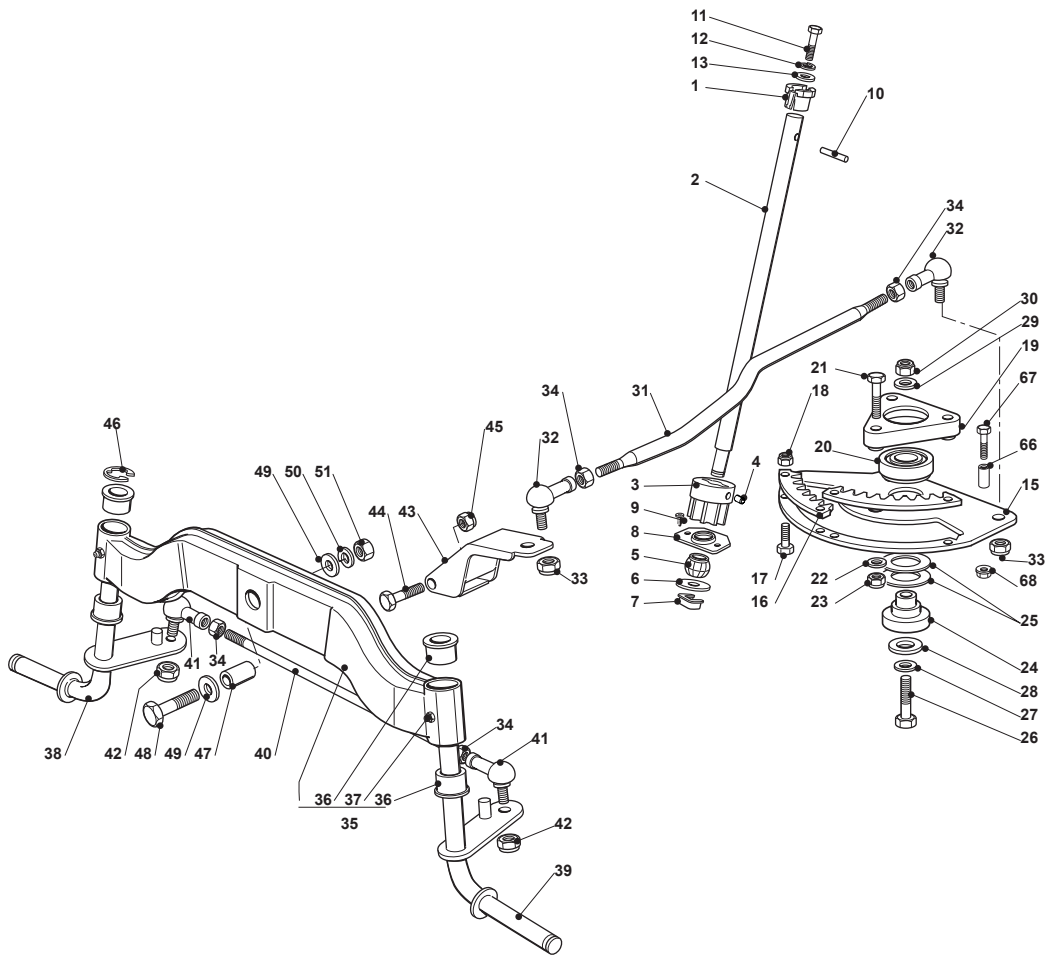


TCB 122 HYDRO

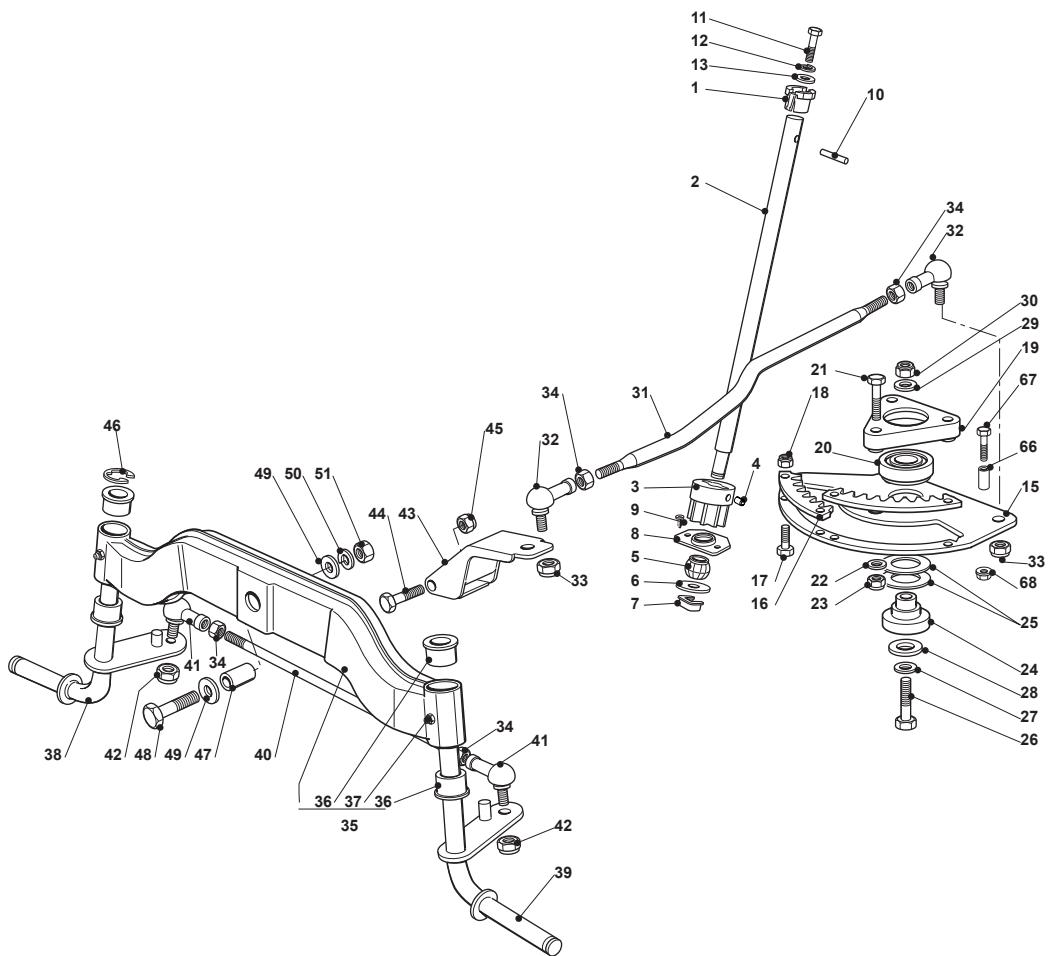
Ride-on 102-122 Steering - 13"

Issue 17 - 2015

| Fig. | Q.ty | Part No | Description | Notes |
|------|------|-------------|-------------|-------|
| 52 | 2 | 122746616/0 | Joint | |



| Fig. | Q.ty | Part No | Description | Notes |
|------|------|-------------|------------------------------------|-------|
| 1 | 1 | 325038004/0 | Bushing | |
| 2 | 1 | 125520010/0 | Steering Column | |
| 3 | 1 | 125570004/0 | Pinion | |
| 4 | 1 | 112714300/0 | Dowel | |
| 5 | 1 | 325743000/0 | Joint | |
| 6 | 1 | 112521370/0 | Washer | |
| 7 | 1 | 112436030/0 | Plate | |
| 8 | 1 | 325785213/1 | Support | |
| 9 | 2 | 112729601/1 | Screw | |
| 10 | 1 | 112620250/0 | Pin | |
| 11 | 1 | 112691800/0 | Screw | |
| 12 | 1 | 112583500/0 | Grower | |
| 13 | 1 | 112523060/0 | Washer | |
| 15 | 1 | 325735523/0 | Steering Sector | |
| 16 | 2 | 325150000/0 | Rack | |
| 17 | 4 | 112791213/1 | Screw | |
| 18 | 4 | 112154510/0 | Nut | |
| 19 | 1 | 325774453/0 | Clamp | |
| 20 | 1 | 119216047/0 | Bearing | |
| 21 | 3 | 112691100/0 | Screw | |
| 22 | 3 | 112523060/0 | Washer | |
| 23 | 3 | 112155000/0 | Nut | |
| 24 | 1 | 125510120/0 | Support | |
| 25 | 2 | 322672153/0 | Antifriction Washer | |
| 26 | 1 | 112692395/0 | Screw | |
| 27 | 1 | 112523080/0 | Washer | |
| 28 | 1 | 112521390/0 | Washer | |
| 29 | 1 | 112523080/0 | Washer | |
| 30 | 1 | 112156602/0 | Nut | |
| 31 | 1 | 125033003/1 | Steering Rod | |
| 32 | 2 | 122746600/0 | Joint | |
| 32 | 2 | 122746616/0 | Joint | |
| 33 | 2 | 122746609/0 | Joint | |
| 34 | 4 | 112156602/0 | Nut | |
| 35 | 1 | 382034001/3 | Equalizer With Bush And Lubricator | |
| 36 | 4 | 125034002/1 | Bushing | |
| 37 | 2 | 112379511/0 | Grease Dispenser | |
| 38 | 1 | 382230361/0 | Right Stub Axle | |
| 39 | 1 | 382230359/0 | Left Stub Axle | |
| 40 | 1 | 325840001/0 | Tie Rod | |
| 41 | 2 | 122746616/0 | Joint | |
| 42 | 2 | 112156602/0 | Nut | |
| 43 | 1 | 382318185/0 | Lever Ass.Y | |
| 44 | 1 | 112692395/0 | Screw | |
| 45 | 1 | 112155000/0 | Nut | |
| 46 | 1 | 112001000/0 | Benzing Ring | |
| 47 | 1 | 125160005/0 | Spacer | |
| 48 | 1 | 112694100/0 | Screw | |
| 49 | 2 | 112521390/0 | Washer | |
| 50 | 1 | 112587900/0 | Grower | |
| 51 | 1 | 112295800/0 | Nut | |

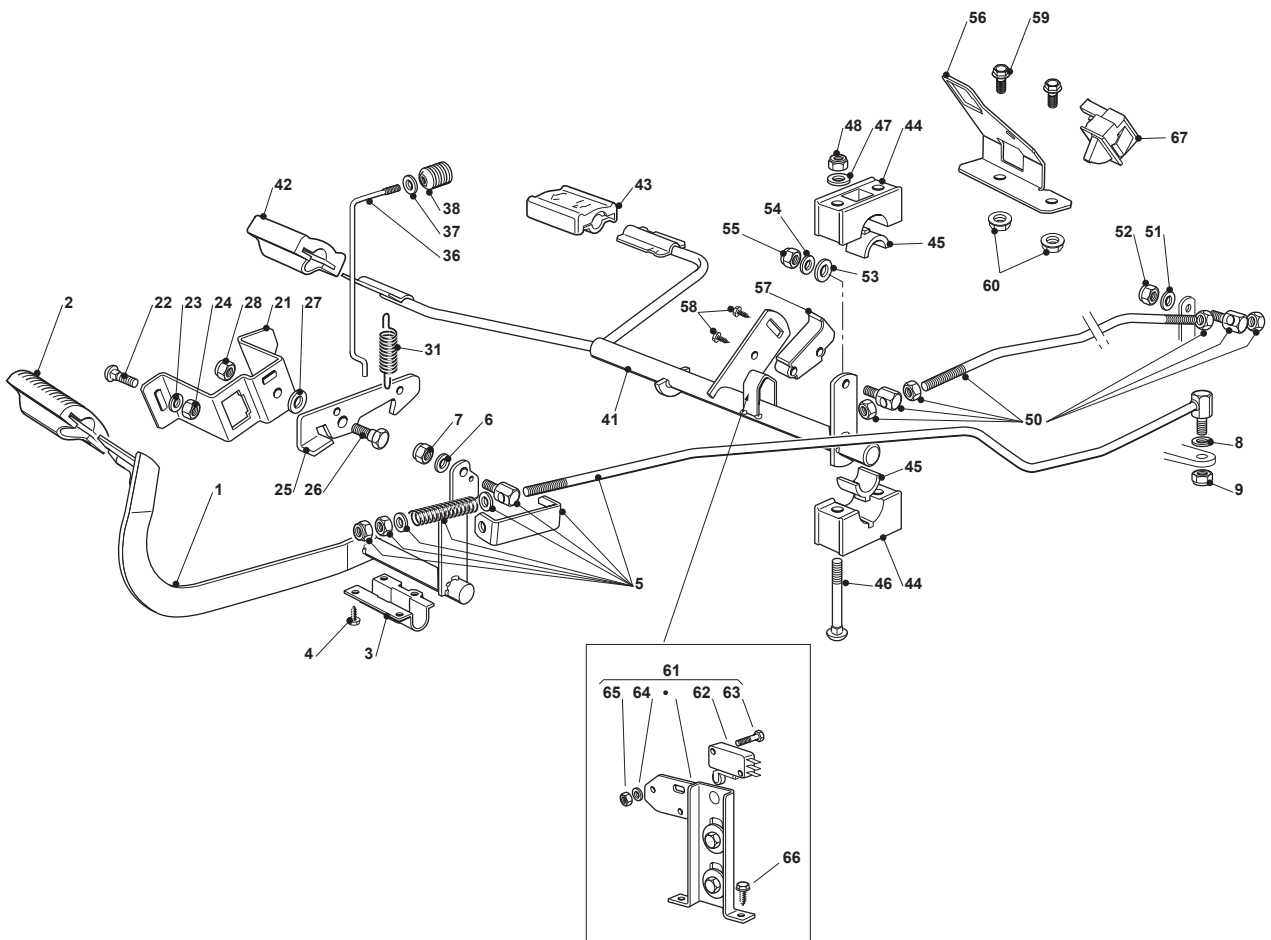


TCB 122 HYDRO

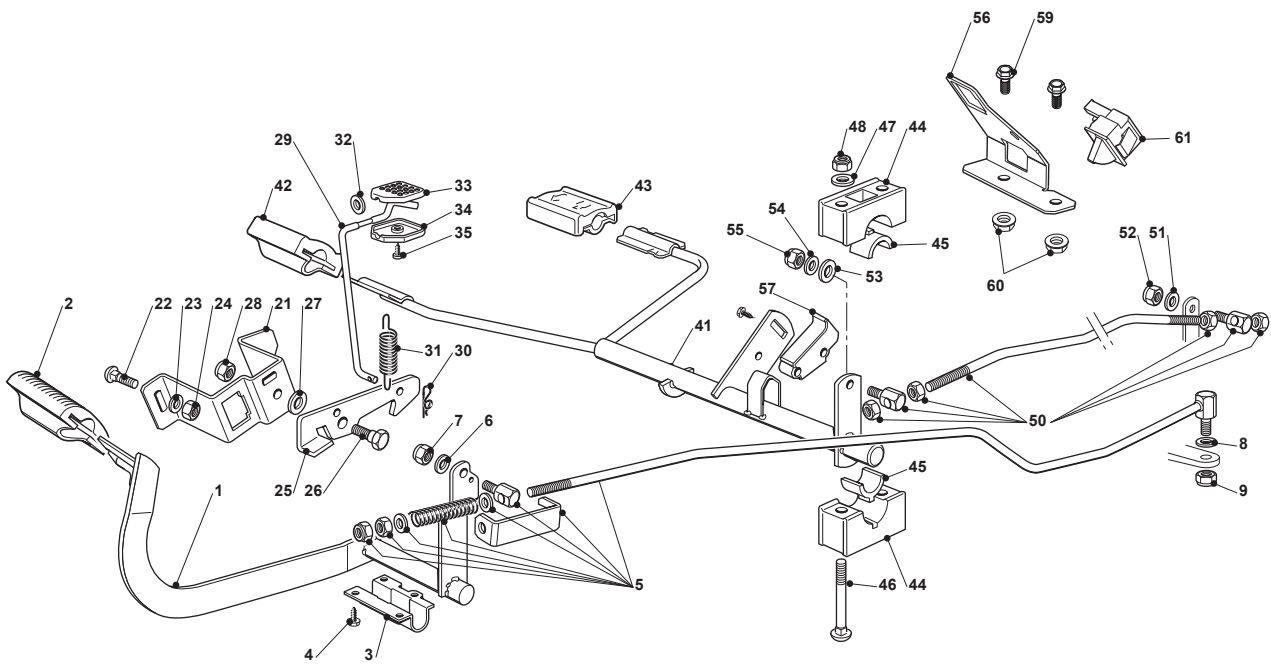
Ride-on 102-122 Steering - 15"

Issue 17 - 2015

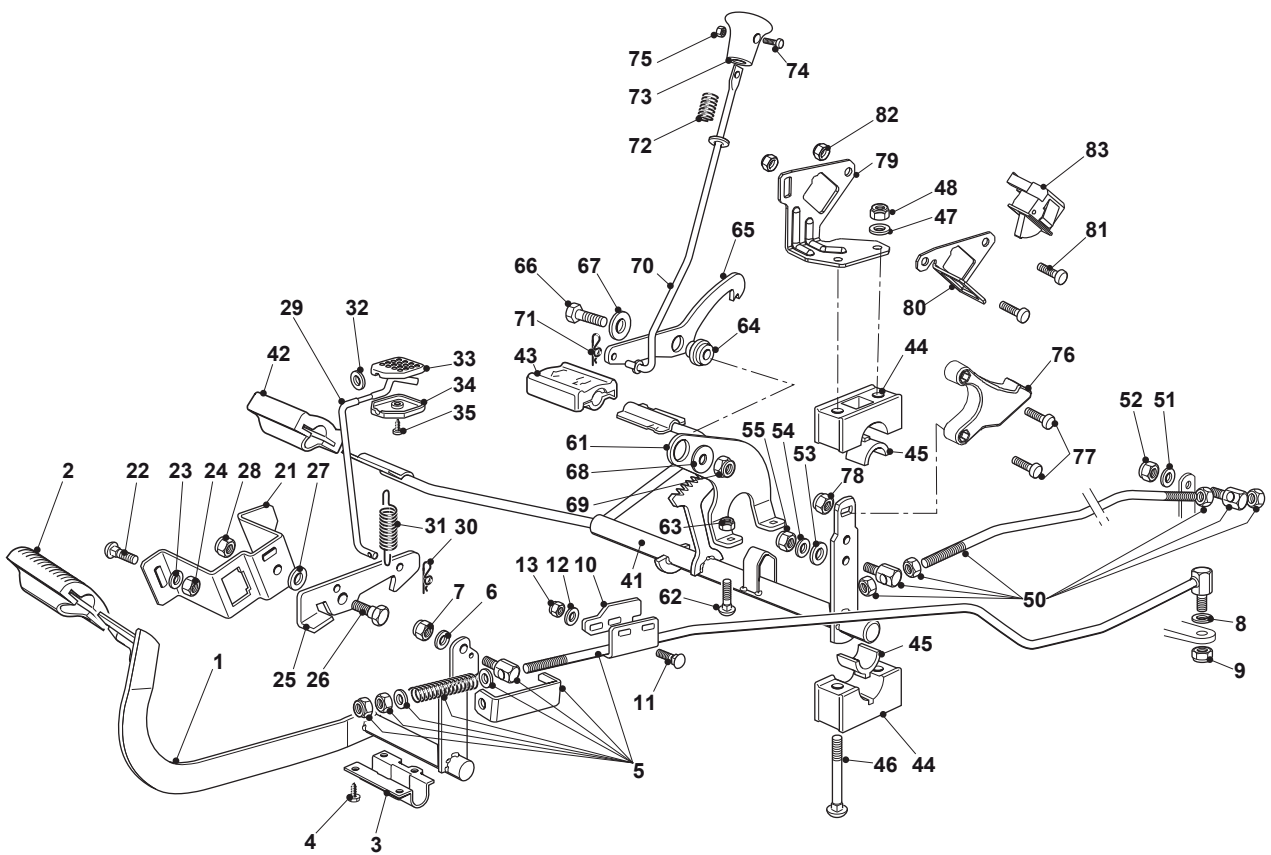
| Fig. | Q.ty | Part No | Description | Notes |
|------|------|-------------|-------------|-------|
| 66 | 1 | 122167840/0 | Spacer | |
| 67 | 1 | 112691200/0 | Screw | |
| 68 | 1 | 112293201/0 | Nut | |



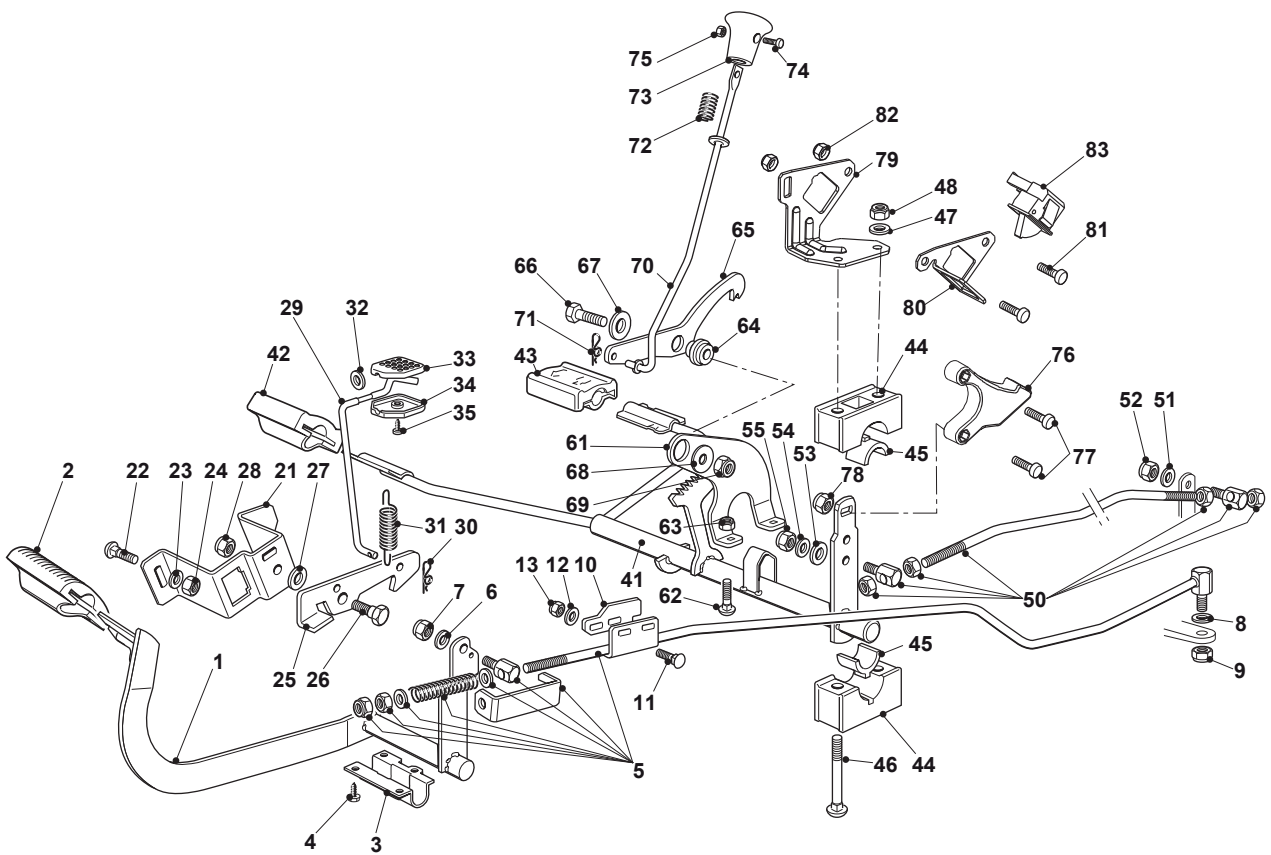
| Fig. | Q.ty | Part No | Description | Notes |
|------|------|-------------|----------------------|-------|
| 1 | 1 | 382500011/2 | Pedal | |
| 2 | 1 | 325110416/0 | Clamp Cover | |
| 3 | 1 | 325547081/2 | Plate | |
| 4 | 4 | 112731601/0 | Screw | |
| 5 | 1 | 382000582/0 | Rod | |
| 6 | 1 | 112521350/0 | Washer | |
| 7 | 1 | 112155000/0 | Nut | |
| 8 | 2 | 112521360/0 | Washer | |
| 9 | 1 | 112155000/0 | Nut | |
| 21 | 1 | 325785143/1 | Support | |
| 22 | 2 | 112815210/0 | Screw | |
| 23 | 1 | 112523040/0 | Washer | |
| 24 | 2 | 112154510/0 | Nut | |
| 25 | 1 | 325253001/0 | Hook | |
| 26 | 1 | 122524970/2 | Fulcrum Pin | |
| 27 | 1 | 325670011/0 | Antifriction Washer | |
| 28 | 1 | 112155000/0 | Nut | |
| 31 | 1 | 125430213/0 | Spring | |
| 36 | 1 | 125033034/0 | Rod | |
| 37 | 1 | 125394509/1 | Knob | |
| 38 | 1 | 112523020/0 | Washer | |
| 41 | 1 | 382000391/1 | Drive Pedal | |
| 42 | 1 | 325110417/0 | Clamp Cover Front | |
| 43 | 1 | 325110418/0 | Clamp Cover Rear | |
| 44 | 4 | 325785354/0 | Support | |
| 45 | 4 | 325034003/0 | Brass | |
| 46 | 4 | 112815271/0 | Screw | |
| 47 | 4 | 112523040/0 | Washer | |
| 48 | 4 | 112154510/0 | Nut | |
| 50 | 1 | 382000579/0 | Rod | |
| 51 | 1 | 112523040/0 | Washer | |
| 52 | 1 | 112154510/0 | Nut | |
| 53 | 1 | 112521360/0 | Washer | |
| 54 | 1 | 112523040/0 | Washer | |
| 55 | 1 | 112154510/0 | Nut | |
| 56 | 1 | 325785481/0 | Micro Switch Bracket | |
| 57 | 1 | 325060034/1 | Cam | |
| 58 | 1 | 112735404/0 | Screw | |
| 59 | 2 | 112793102/0 | Screw | |
| 60 | 2 | 112293201/0 | Nut | |
| 61 | 1 | 382394853/0 | Switch Ass.Y | |
| 62 | 1 | 119410609/0 | Microswitch | |
| 63 | 2 | 112735602/0 | Screw | |
| 64 | 2 | 112581100/0 | Grower | |
| 65 | 2 | 112290791/0 | Nut | |
| 66 | 2 | 112735110/0 | Screw | |
| 67 | 1 | 119410614/0 | Microswitch | |



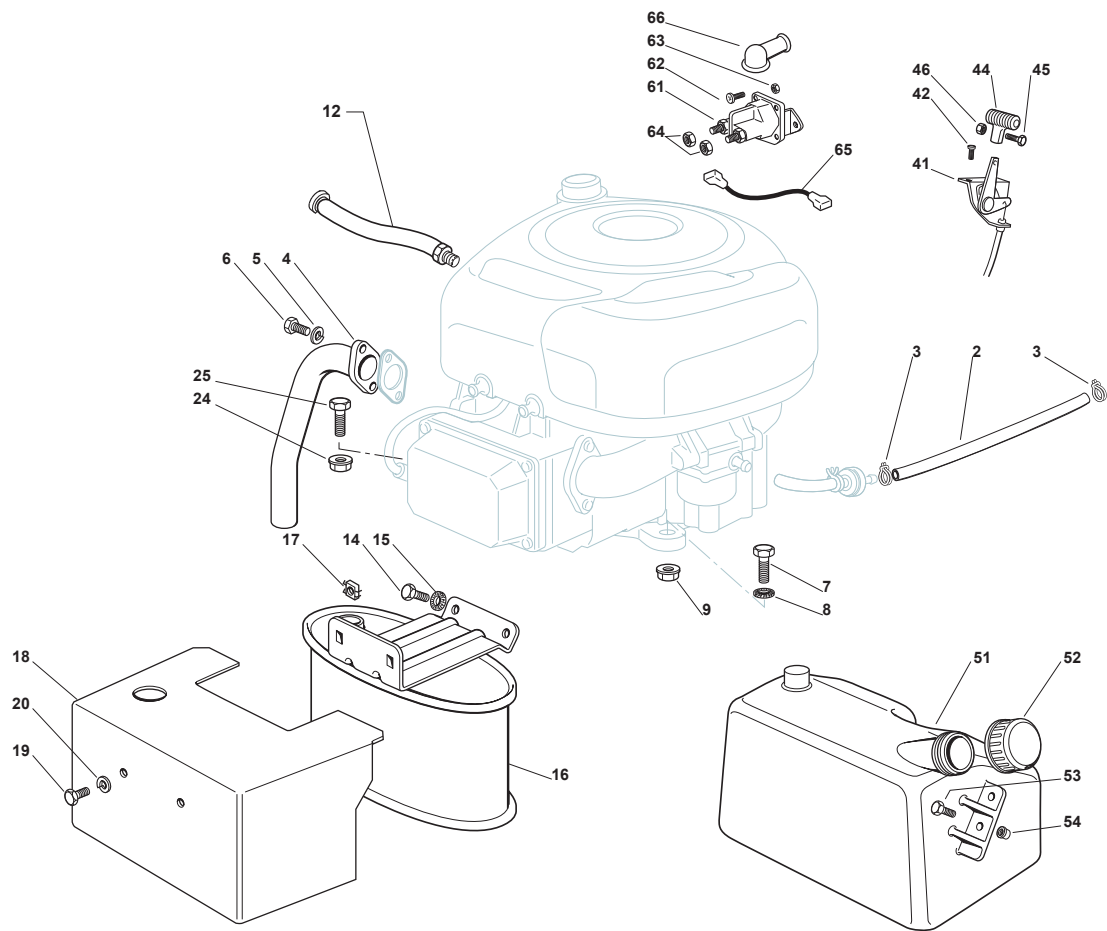
| Fig. | Q.ty | Part No | Description | Notes |
|------|------|-------------|----------------------|-------|
| 1 | 1 | 382500011/2 | Pedal | |
| 2 | 1 | 325110416/0 | Clamp Cover | |
| 3 | 1 | 325547081/2 | Plate | |
| 4 | 4 | 112731601/0 | Screw | |
| 5 | 1 | 382000582/0 | Rod | |
| 6 | 1 | 112521350/0 | Washer | |
| 7 | 1 | 112155000/0 | Nut | |
| 8 | 2 | 112521360/0 | Washer | |
| 9 | 1 | 112155000/0 | Nut | |
| 21 | 1 | 325785143/1 | Support | |
| 22 | 2 | 112815210/0 | Screw | |
| 23 | 1 | 112523040/0 | Washer | |
| 24 | 2 | 112154510/0 | Nut | |
| 25 | 1 | 325253001/0 | Hook | |
| 26 | 1 | 122524970/2 | Fulcrum Pin | |
| 27 | 1 | 325670011/0 | Antifriction Washer | |
| 28 | 1 | 112155000/0 | Nut | |
| 29 | 1 | 125033097/0 | Rod | |
| 30 | 1 | 124487997/0 | Cotter Pin | |
| 31 | 1 | 125430213/0 | Spring | |
| 32 | 1 | 112523040/0 | Washer | |
| 33 | 1 | 325592001/0 | Knob | |
| 34 | 1 | 325592002/0 | Knob | |
| 35 | 1 | 112727815/0 | Screw | |
| 41 | 1 | 382000391/1 | Drive Pedal | |
| 42 | 1 | 325110417/0 | Clamp Cover Front | |
| 43 | 1 | 325110418/0 | Clamp Cover Rear | |
| 44 | 4 | 325785354/0 | Support | |
| 45 | 4 | 325034003/0 | Brass | |
| 46 | 4 | 112815271/0 | Screw | |
| 47 | 4 | 112523040/0 | Washer | |
| 48 | 4 | 112154510/0 | Nut | |
| 50 | 1 | 382000579/0 | Rod | |
| 51 | 1 | 112523040/0 | Washer | |
| 52 | 1 | 112154510/0 | Nut | |
| 53 | 1 | 112521360/0 | Washer | |
| 54 | 1 | 112523040/0 | Washer | |
| 55 | 1 | 112154510/0 | Nut | |
| 56 | 1 | 325785481/0 | Micro Switch Bracket | |
| 57 | 1 | 325060034/1 | Cam | |
| 58 | 1 | 112735404/0 | Screw | |
| 59 | 2 | 112793102/0 | Screw | |
| 60 | 2 | 112293201/0 | Nut | |
| 61 | 1 | 119410614/0 | Microswitch | |



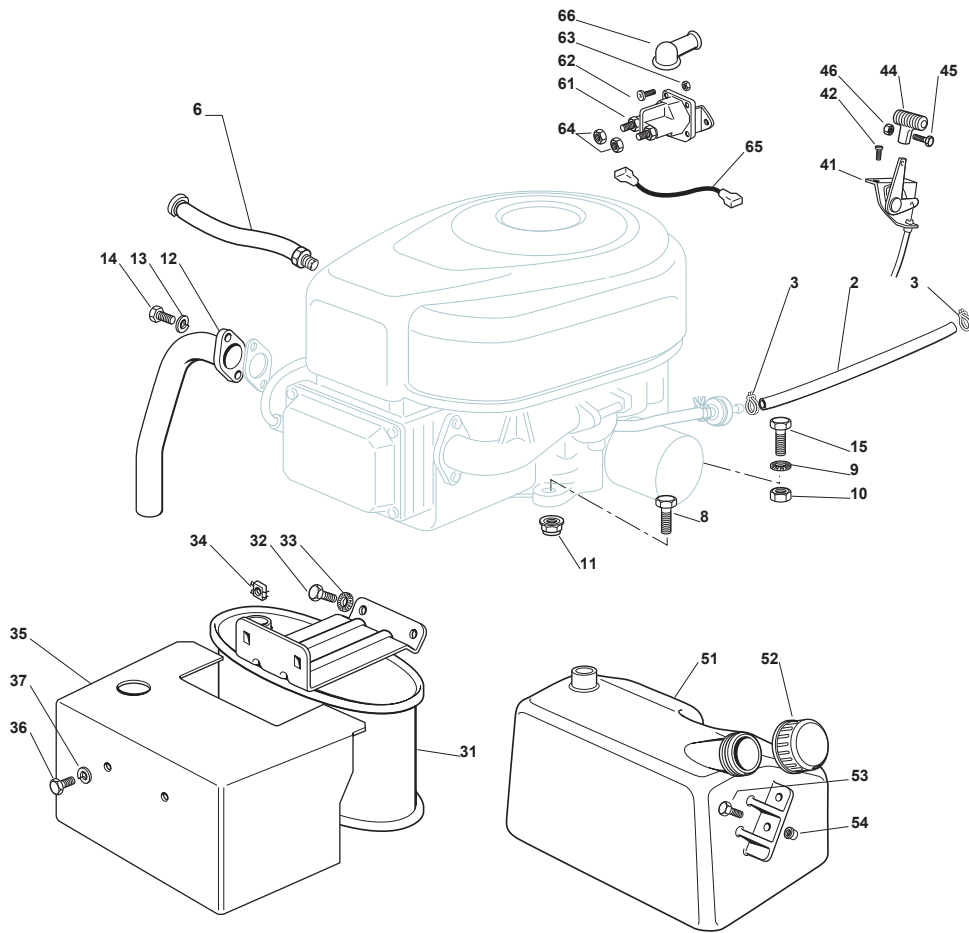
| Fig. | Q.ty | Part No | Description | Notes |
|------|------|-------------|---------------------|-------|
| 1 | 1 | 382500011/2 | Pedal | |
| 2 | 1 | 325110416/0 | Clamp Cover | |
| 3 | 1 | 325547081/2 | Plate | |
| 4 | 4 | 112731601/0 | Screw | |
| 5 | 1 | 382000626/0 | Brake Rod Assy | |
| 6 | 1 | 112521350/0 | Washer | |
| 7 | 1 | 112155000/0 | Nut | |
| 8 | 2 | 112521360/0 | Washer | |
| 9 | 1 | 112155000/0 | Nut | |
| 10 | 1 | 325547281/1 | Plate | |
| 11 | 2 | 112815210/0 | Screw | |
| 12 | 2 | 112523040/0 | Washer | |
| 13 | 2 | 112154510/0 | Nut | |
| 21 | 1 | 325785143/1 | Support | |
| 22 | 2 | 112815210/0 | Screw | |
| 23 | 1 | 112523040/0 | Washer | |
| 24 | 2 | 112154510/0 | Nut | |
| 25 | 1 | 325253001/0 | Hook | |
| 26 | 1 | 122524970/2 | Fulcrum Pin | |
| 27 | 1 | 325670011/0 | Antifriction Washer | |
| 28 | 1 | 112155000/0 | Nut | |
| 29 | 1 | 125033097/0 | Rod | |
| 30 | 1 | 124487997/0 | Cotter Pin | |
| 31 | 1 | 125430213/0 | Spring | |
| 32 | 1 | 112523040/0 | Washer | |
| 33 | 1 | 325592001/0 | Knob | |
| 34 | 1 | 325592002/0 | Knob | |
| 35 | 1 | 112727815/0 | Screw | |
| 41 | 1 | 382000389/1 | Drive Pedal | |
| 42 | 1 | 325110417/0 | Clamp Cover Front | |
| 43 | 1 | 325110418/0 | Clamp Cover Rear | |
| 44 | 4 | 325785354/0 | Support | |
| 45 | 4 | 325034003/0 | Brass | |
| 46 | 4 | 112815271/0 | Screw | |
| 47 | 4 | 112523040/0 | Washer | |
| 48 | 4 | 112154510/0 | Nut | |
| 50 | 1 | 382000579/0 | Rod | |
| 51 | 1 | 112523040/0 | Washer | |
| 52 | 1 | 112154510/0 | Nut | |
| 53 | 1 | 112521360/0 | Washer | |
| 54 | 1 | 112523040/0 | Washer | |
| 55 | 1 | 112154510/0 | Nut | |
| 61 | 1 | 325774477/0 | Clamp | |
| 62 | 2 | 112815210/0 | Screw | |
| 63 | 2 | 112292102/0 | Nut | |
| 64 | 1 | 125040638/0 | Bushing | |
| 65 | 1 | 325022000/1 | Hook | |
| 66 | 1 | 112691100/0 | Screw | |
| 67 | 1 | 112523060/0 | Washer | |
| 68 | 1 | 322672152/0 | Antifriction Washer | |
| 69 | 1 | 112155000/0 | Nut | |



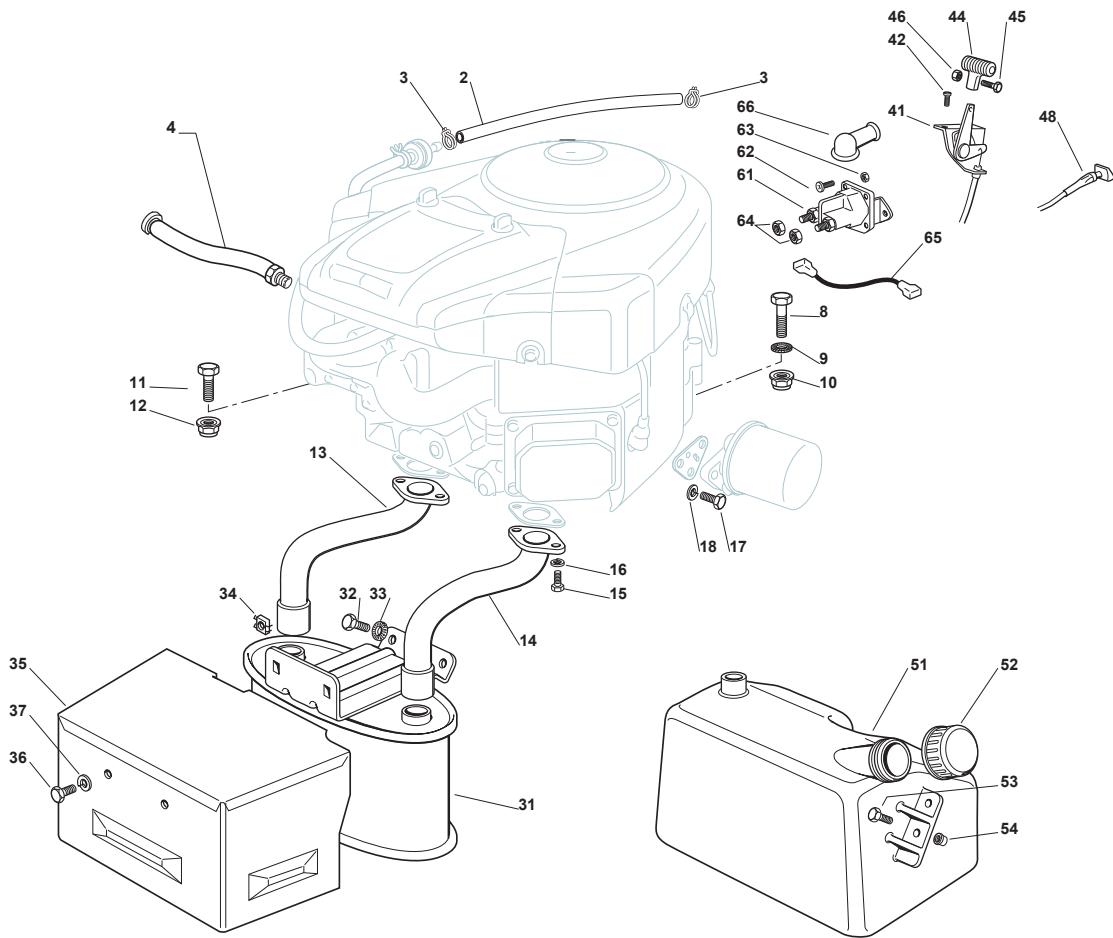
| Fig. | Q.ty | Part No | Description | Notes |
|------|------|-------------|----------------------|-------|
| 70 | 1 | 125033091/0 | Rod | |
| 71 | 1 | 124487995/0 | Cotter Pin | |
| 72 | 1 | 125430232/0 | Spring | |
| 73 | 1 | 325605002/0 | Button | |
| 74 | 1 | 112726389/0 | Screw | |
| 75 | 1 | 112290800/0 | Nut | |
| 76 | 1 | 325060050/0 | Cam | |
| 77 | 1 | 112789100/0 | Screw | |
| 78 | 2 | 112154330/0 | Nut | |
| 79 | 2 | 325755071/0 | Angle Bracket | |
| 80 | 1 | 325785479/0 | Micro Switch Bracket | |
| 81 | 2 | 112791400/0 | Screw | |
| 82 | 2 | 112292102/0 | Nut | |
| 83 | 1 | 119410614/0 | Microswitch | |



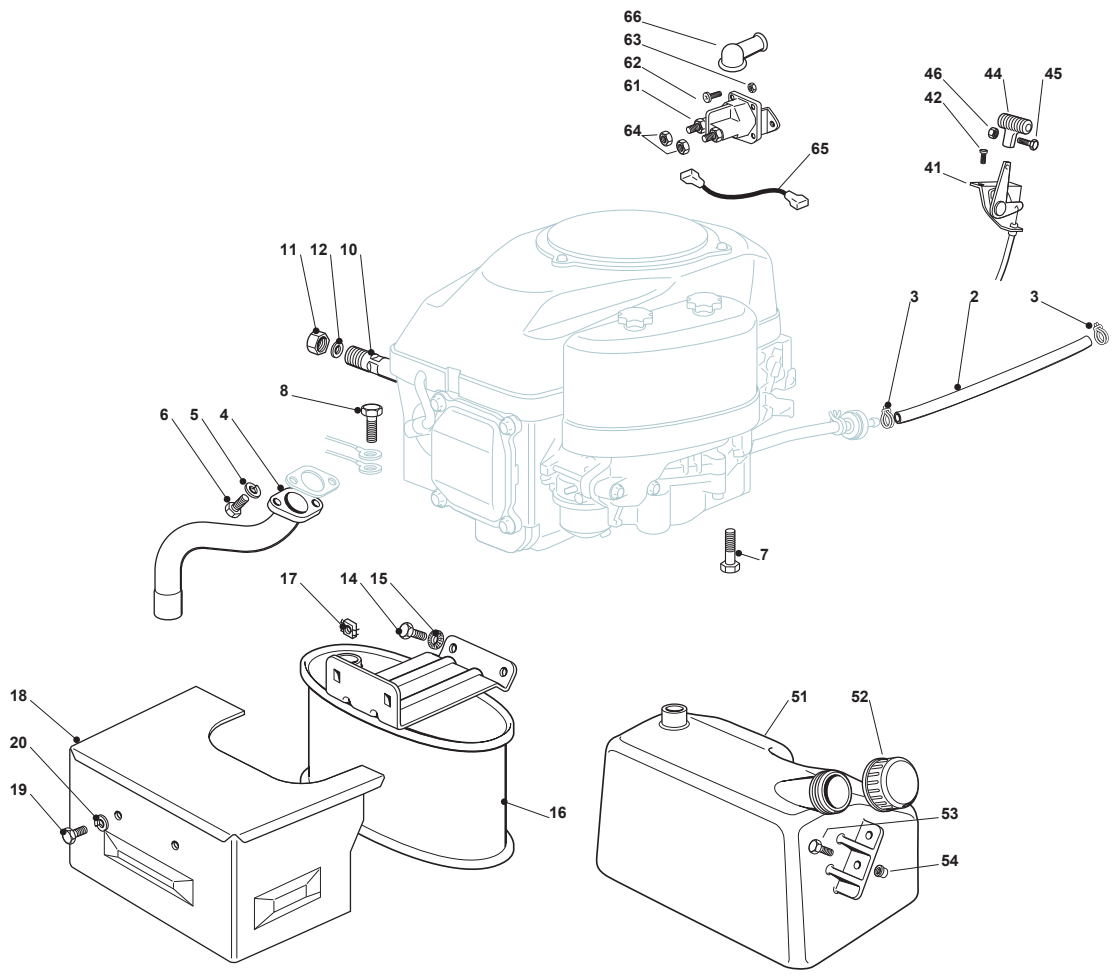
| Fig. | Q.ty | Part No | Description | Notes |
|------|------|--------------|--------------------|--------------------|
| 2 | 1 | 325869016/1 | Connecting Tube | |
| 3 | 2 | 118375051/1 | Fair Led | |
| 4 | 1 | 118738224/0 | Exhaust Conn. Tube | |
| 5 | 2 | 112583500/0 | Grower | |
| 6 | 2 | 112735530/0 | Screw | |
| 7 | 1 | 112691115/0 | Screw | |
| 8 | 1 | 112540260/0 | Grower | |
| 9 | 1 | 112154210/0 | Nut | |
| 12 | 1 | 1134-5827-01 | Oil Drain Assy | |
| 14 | 2 | 112793102/0 | Screw | |
| 15 | 2 | 112540260/0 | Grower | |
| 16 | 1 | 182750010/0 | Muffler | |
| 17 | 2 | 112360425/0 | Nut | |
| 18 | 1 | 382598009/2 | Muffler Protection | |
| 19 | 2 | 112792611/0 | Screw | |
| 20 | 2 | 112583500/0 | Grower | |
| 24 | 3 | 112154210/0 | Nut | |
| 25 | 3 | 112691100/0 | Screw | |
| 41 | 1 | 182000200/1 | Throttle Cable | |
| 42 | 2 | 125943012/0 | Screw | |
| 44 | 1 | 325592000/0 | Knob | |
| 45 | 1 | 112726388/0 | Screw | |
| 46 | 1 | 112290800/0 | Nut | |
| 51 | 1 | 125735110/3 | Tank | Without Fuel Level |
| 52 | 1 | 125795000/1 | Fuel Cap | |
| 53 | 2 | 112788910/0 | Screw | |
| 54 | 2 | 112500092/0 | Rivet | |
| 61 | 1 | 118736110/0 | Starter Relay | |
| 62 | 2 | 112791011/0 | Screw | |
| 63 | 2 | 112292102/0 | Nut | |
| 64 | 2 | 112360352/0 | Nut | |
| 65 | 1 | 125065017/0 | Cable | |
| 66 | 1 | 118564861/1 | Protection | |



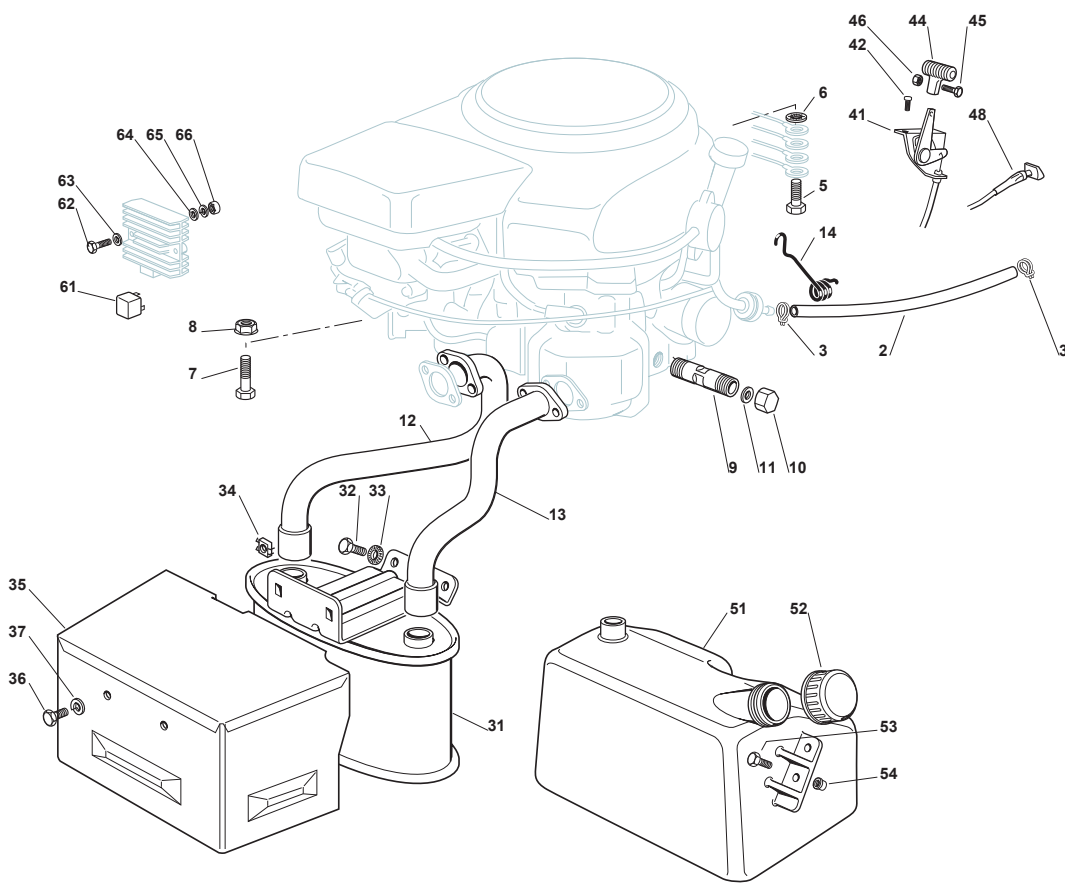
| Fig. | Q.ty | Part No | Description | Notes |
|------|------|--------------|------------------------|--------------------|
| 2 | 1 | 325869016/1 | Connecting Tube | |
| 3 | 2 | 118375051/1 | Fair Led | |
| 6 | 1 | 1134-5827-01 | Oil Drain Assy | |
| 8 | 3 | 112691100/0 | Screw | |
| 9 | 1 | 112540260/0 | Grower | |
| 10 | 1 | 112154210/0 | Nut | |
| 11 | 3 | 112154210/0 | Nut | |
| 12 | 1 | 118738206/0 | Exhaust Discharge Tube | |
| 13 | 2 | 112583500/0 | Grower | |
| 14 | 2 | 112735530/0 | Screw | |
| 15 | 1 | 112691115/0 | Screw | |
| 31 | 1 | 182750010/0 | Muffler | |
| 32 | 2 | 112793102/0 | Screw | |
| 33 | 2 | 112540260/0 | Grower | |
| 34 | 2 | 112360425/0 | Nut | |
| 35 | 1 | 382598009/2 | Muffler Protection | |
| 36 | 2 | 112792611/0 | Screw | |
| 37 | 2 | 112583500/0 | Grower | |
| 41 | 1 | 182000200/1 | Throttle Cable | |
| 42 | 2 | 125943012/0 | Screw | |
| 44 | 1 | 325592000/0 | Knob | |
| 45 | 1 | 112726388/0 | Screw | |
| 46 | 1 | 112290800/0 | Nut | |
| 51 | 1 | 125735110/3 | Tank | Without Fuel Level |
| 51 | 1 | 325735111/3 | Tank | With Fuel Level |
| 52 | 1 | 125795000/1 | Fuel Cap | |
| 53 | 2 | 112788910/0 | Screw | |
| 54 | 2 | 112500092/0 | Rivet | |
| 61 | 1 | 118736110/0 | Starter Relay | |
| 62 | 2 | 112791011/0 | Screw | |
| 63 | 2 | 112292102/0 | Nut | |
| 64 | 2 | 112360352/0 | Nut | |
| 65 | 1 | 125065017/0 | Cable | |
| 66 | 1 | 118564861/1 | Protection | |



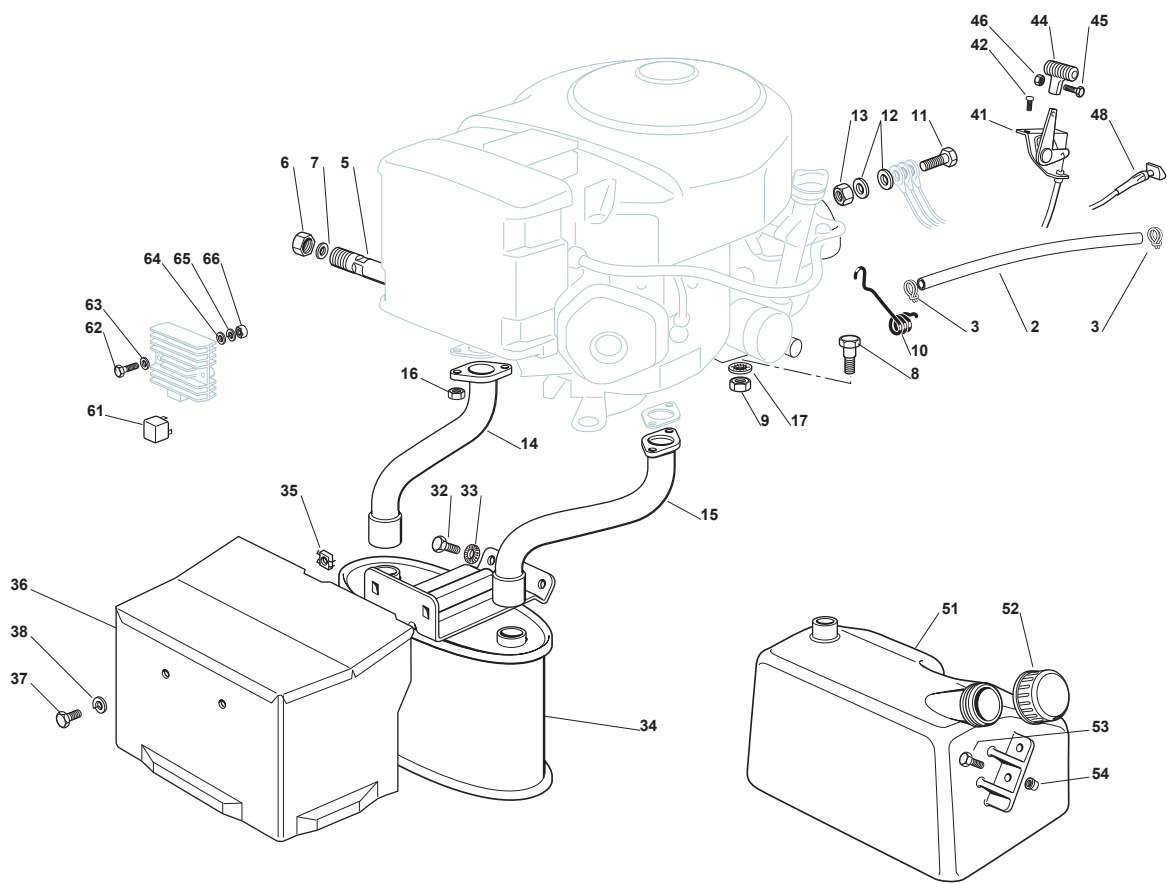
| Fig. | Q.ty | Part No | Description | Notes |
|------|------|--------------|------------------------------|-----------------|
| 2 | 1 | 325869016/1 | Connecting Tube | |
| 3 | 2 | 118375051/1 | Fair Led | |
| 4 | 1 | 1134-5827-01 | Oil Drain Assy | |
| 8 | 1 | 112691115/0 | Screw | |
| 9 | 1 | 112540260/0 | Grower | |
| 10 | 1 | 112154210/0 | Nut | |
| 11 | 3 | 112691100/0 | Screw | |
| 12 | 3 | 112154210/0 | Nut | |
| 13 | 1 | 118738214/0 | Exhaust Discharge Tube Right | |
| 14 | 1 | 118738215/0 | Exhaust Discharge Tube Left | |
| 15 | 4 | 112735530/0 | Screw | |
| 16 | 4 | 112583500/0 | Grower | |
| 17 | 3 | 112791400/0 | Screw | |
| 18 | 3 | 112582100/0 | Grower | |
| 31 | 1 | 182750011/0 | Single-Cylinder Muffler | |
| 32 | 2 | 112793102/0 | Screw | |
| 33 | 2 | 112540260/0 | Grower | |
| 34 | 2 | 112360425/0 | Nut | |
| 35 | 1 | 382598005/2 | Muffler Protection | |
| 36 | 2 | 112792611/0 | Screw | |
| 37 | 2 | 112583500/0 | Grower | |
| 41 | 1 | 182000211/1 | Accelerator | |
| 42 | 2 | 125943012/0 | Screw | |
| 44 | 1 | 325592000/0 | Knob | |
| 45 | 1 | 112726388/0 | Screw | |
| 46 | 1 | 112290800/0 | Nut | |
| 48 | 1 | 125090001/2 | Choke Control | |
| 51 | 1 | 325735111/3 | Tank | With Fuel Level |
| 52 | 1 | 125795000/1 | Fuel Cap | |
| 53 | 2 | 112788910/0 | Screw | |
| 54 | 2 | 112500092/0 | Rivet | |
| 61 | 1 | 118736110/0 | Starter Relay | |
| 62 | 2 | 112791011/0 | Screw | |
| 63 | 2 | 112292102/0 | Nut | |
| 64 | 2 | 112360352/0 | Nut | |
| 65 | 1 | 125065017/0 | Cable | |
| 66 | 1 | 118564861/1 | Protection | |



| Fig. | Q.ty | Part No | Description | Notes |
|------|------|-------------|-------------------------|--------------------|
| 2 | 1 | 325869057/0 | Connecting Tube | |
| 3 | 4 | 118375051/1 | Fair Led | |
| 4 | 1 | 118738231/1 | Exhaust Tube | |
| 5 | 2 | 112583500/0 | Grower | |
| 6 | 2 | 112737450/0 | Screw | |
| 7 | 4 | 112735108/1 | Screw | |
| 8 | 1 | 112735599/0 | Screw | |
| 10 | 1 | 127598060/0 | Oil Discharge Extension | |
| 11 | 1 | 118737849/0 | Plug | |
| 12 | 1 | 118401001/1 | Oil Seal | |
| 14 | 2 | 112793102/0 | Screw | |
| 15 | 2 | 112540260/0 | Grower | |
| 16 | 1 | 182750010/0 | Muffler | |
| 17 | 2 | 112360425/0 | Nut | |
| 18 | 1 | 382598039/0 | Guard | |
| 19 | 2 | 112792611/0 | Screw | |
| 20 | 2 | 112583500/0 | Grower | |
| 41 | 1 | 182000212/0 | Accelerator | |
| 42 | 2 | 125943012/0 | Screw | |
| 44 | 1 | 125394501/0 | Knob | |
| 45 | 1 | 112726388/0 | Screw | |
| 46 | 1 | 112290800/0 | Nut | |
| 51 | 1 | 125735110/3 | Tank | Without Fuel Level |
| 51 | 1 | 325735111/3 | Tank | With Fuel Level |
| 52 | 1 | 125795000/1 | Fuel Cap | |
| 53 | 2 | 112788910/0 | Screw | |
| 54 | 2 | 112500092/0 | Rivet | |
| 61 | 1 | 118736110/0 | Starter Relay | |
| 62 | 2 | 112791011/0 | Screw | |
| 63 | 2 | 112292102/0 | Nut | |
| 64 | 2 | 112360352/0 | Nut | |
| 65 | 1 | 125065017/0 | Cable | |
| 66 | 1 | 118564861/1 | Protection | |

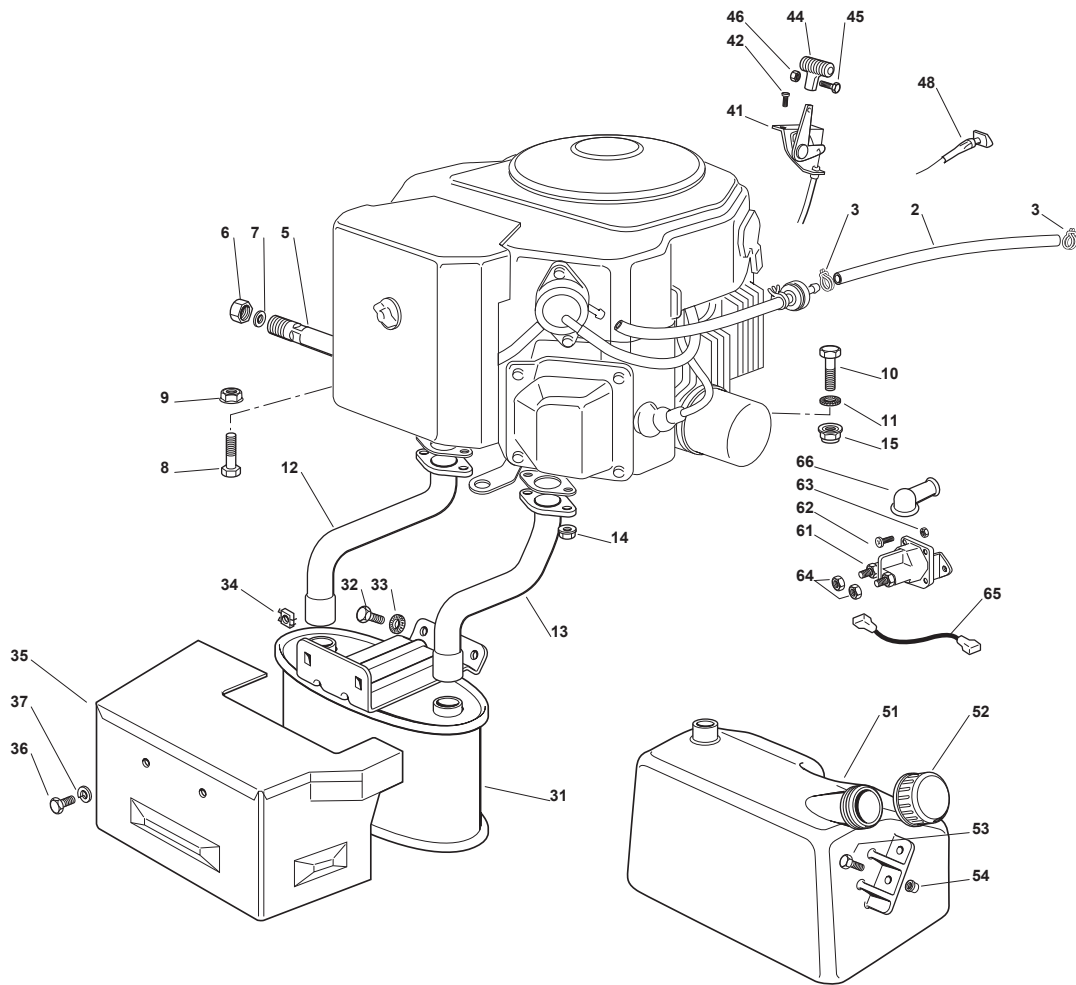


| Fig. | Q.ty | Part No | Description | Notes |
|------|------|-------------|--------------------------|--------------------|
| 2 | 1 | 325869027/1 | Connecting Tube | |
| 3 | 2 | 118375051/1 | Fair Led | |
| 5 | 1 | 112735599/0 | Screw | |
| 6 | 1 | 112540260/0 | Grower | |
| 7 | 4 | 112691115/0 | Screw | |
| 8 | 4 | 112154210/0 | Nut | |
| 9 | 1 | 125598052/0 | Oil Discharge Extension | |
| 10 | 1 | 118737849/0 | Plug | |
| 11 | 1 | 118401001/1 | Oil Seal | |
| 12 | 1 | 118738221/0 | Exhaust Tube Right | |
| 13 | 1 | 118738222/0 | Right Exhaust Connection | |
| 14 | 1 | 127430562/0 | Spring | |
| 31 | 1 | 182750003/0 | Muffler Assy | |
| 32 | 2 | 112793102/0 | Screw | |
| 33 | 2 | 112540260/0 | Grower | |
| 34 | 2 | 112360425/0 | Nut | |
| 35 | 1 | 382598005/2 | Muffler Protection | |
| 36 | 2 | 112792611/0 | Screw | |
| 37 | 2 | 112583500/0 | Grower | |
| 41 | 1 | 182000201/2 | Accelerator | |
| 42 | 2 | 125943012/0 | Screw | |
| 44 | 1 | 125394501/0 | Knob | |
| 45 | 1 | 112726388/0 | Screw | |
| 46 | 1 | 112290800/0 | Nut | |
| 48 | 1 | 125090001/2 | Choke Control | |
| 51 | 1 | 125735110/3 | Tank | Without Fuel Level |
| 51 | 1 | 325735111/3 | Tank | With Fuel Level |
| 52 | 1 | 125795000/1 | Fuel Cap | |
| 53 | 2 | 112788910/0 | Screw | |
| 54 | 2 | 112500092/0 | Rivet | |
| 61 | 1 | 133567000/0 | Relay | |
| 62 | 2 | 112791500/0 | Screw | |
| 63 | 2 | 112521330/0 | Washer | |
| 64 | 2 | 112521330/0 | Washer | |
| 65 | 2 | 112582100/0 | Grower | |
| 66 | 2 | 112292100/0 | Nut | |

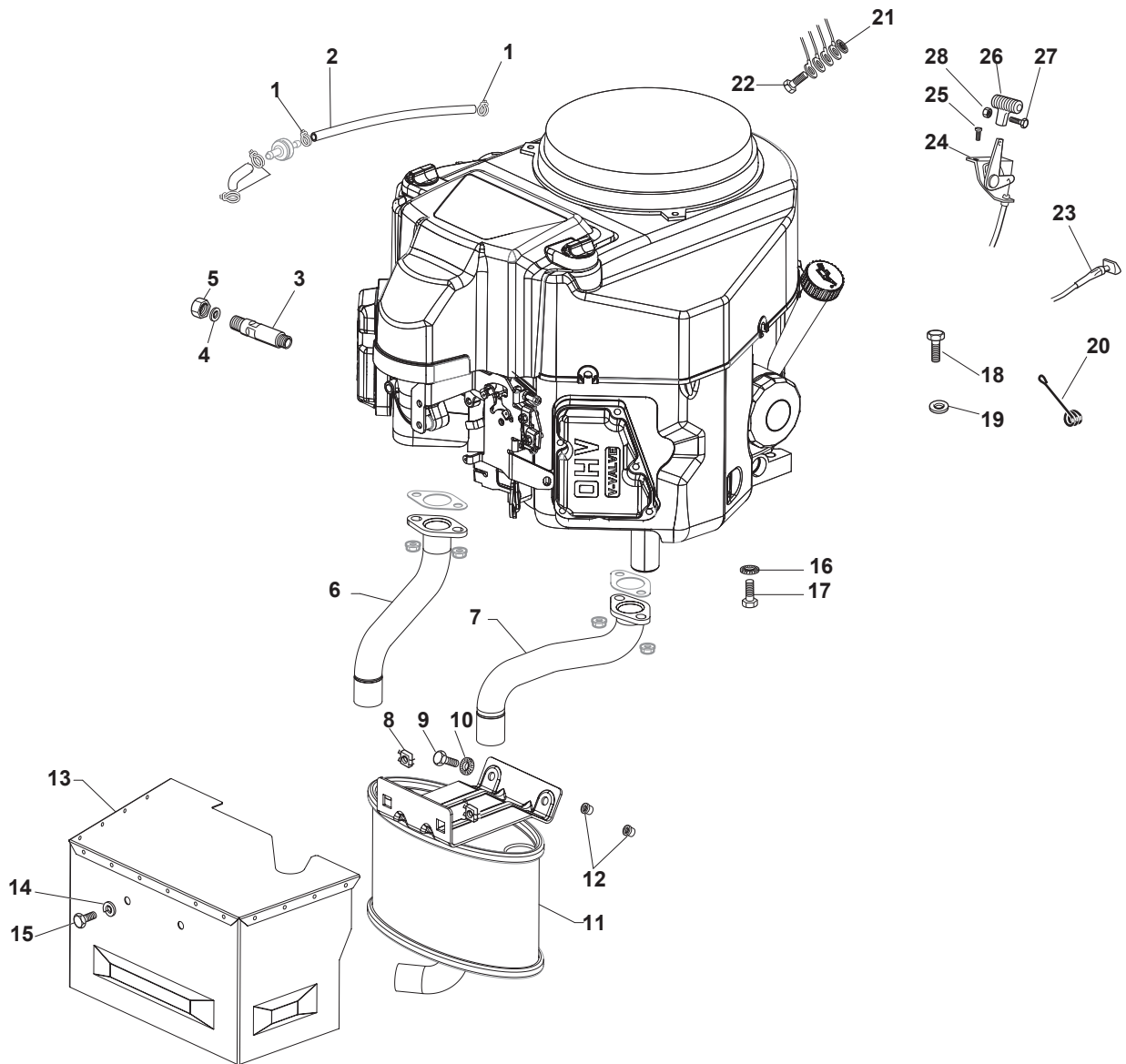


| Fig. | Q.ty | Part No | Description | Notes |
|------|------|-------------|------------------------------|--------------------|
| 2 | 1 | 325869033/1 | Fuel Tube | |
| 3 | 2 | 118375051/1 | Fair Led | |
| 5 | 1 | 127598061/1 | Oil Discharge Extension | |
| 6 | 1 | 118737849/0 | Plug | |
| 7 | 1 | 118401001/1 | Oil Seal | |
| 8 | 4 | 125510028/1 | Pin | |
| 9 | 4 | 112154210/0 | Nut | |
| 10 | 1 | 127430561/0 | Spring | |
| 11 | 1 | 112691115/0 | Screw | |
| 12 | 2 | 112521350/0 | Washer | |
| 13 | 1 | 112293201/0 | Nut | |
| 14 | 1 | 118738243/0 | Exhaust Discharge Tube Right | |
| 15 | 1 | 118738244/0 | Exhaust Discharge Tube Left | |
| 16 | 4 | 112293201/0 | Nut | |
| 17 | 1 | 112540260/0 | Grower | |
| 32 | 2 | 112793102/0 | Screw | |
| 33 | 2 | 112540260/0 | Grower | |
| 34 | 1 | 182750003/0 | Muffler Assy | |
| 35 | 2 | 112360425/0 | Nut | |
| 36 | 1 | 382598051/0 | Guard | |
| 37 | 2 | 112792611/0 | Screw | |
| 38 | 2 | 112583500/0 | Grower | |
| 41 | 1 | 182000219/0 | Accelerator | |
| 42 | 2 | 125943012/0 | Screw | |
| 44 | 1 | 125394501/0 | Knob | |
| 45 | 1 | 112726388/0 | Screw | |
| 46 | 1 | 112290800/0 | Nut | |
| 48 | 1 | 125090007/0 | Choke Control | |
| 51 | 1 | 125735110/3 | Tank | Without Fuel Level |
| 51 | 1 | 325735111/3 | Tank | With Fuel Level |
| 52 | 1 | 125795000/1 | Fuel Cap | |
| 53 | 2 | 112788910/0 | Screw | |
| 54 | 2 | 112500092/0 | Rivet | |
| 61 | 1 | 133567000/0 | Relay | |
| 62 | 2 | 112791500/0 | Screw | |
| 63 | 2 | 112521330/0 | Washer | |
| 64 | 2 | 112521330/0 | Washer | |
| 65 | 2 | 112582100/0 | Grower | |
| 66 | 2 | 112292100/0 | Nut | |

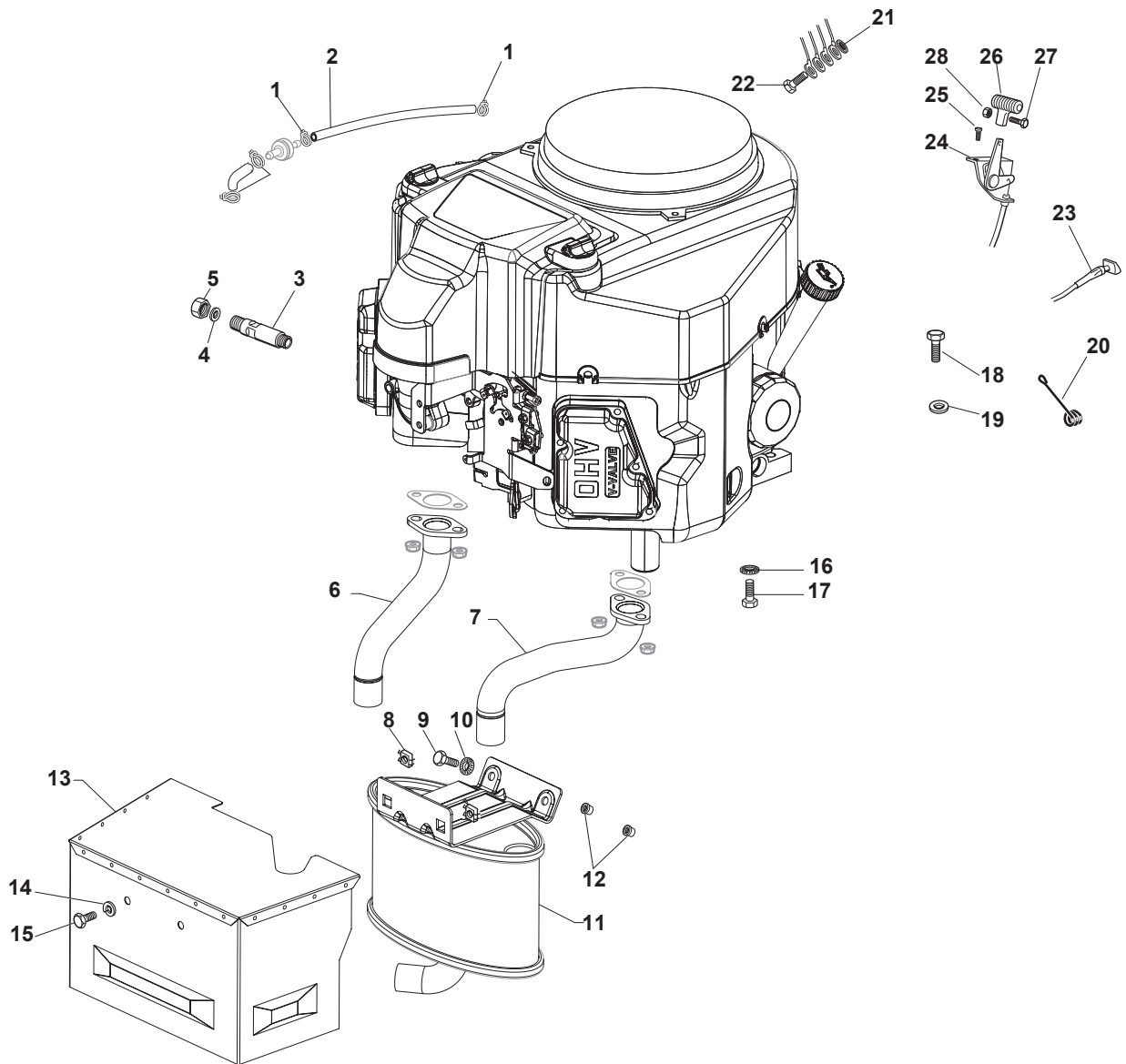
| Fig. | Q.ty | Part No | Description | Notes |
|------|------|-------------|---------------------------|--------------------|
| 2 | 1 | 325869016/1 | Connecting Tube | |
| 3 | 2 | 118375051/1 | Fair Led | |
| 4 | 3 | 112735108/1 | Screw | |
| 5 | 1 | 112154210/0 | Nut | |
| 6 | 1 | 112691115/0 | Screw | |
| 7 | 1 | 112540260/0 | Grower | |
| 8 | 1 | 127598060/0 | Oil Discharge Extension | |
| 9 | 1 | 118737849/0 | Plug | |
| 10 | 1 | 118401001/1 | Oil Seal | |
| 11 | 1 | 118738227/0 | Exhaust Pipe Kohler 16-18 | |
| 12 | 2 | 112735530/0 | Screw | |
| 13 | 2 | 112583500/0 | Grower | |
| 14 | 3 | 125160035/0 | Spacer | |
| 31 | 1 | 182750010/0 | Muffler | |
| 32 | 2 | 112793102/0 | Screw | |
| 33 | 2 | 112540260/0 | Grower | |
| 34 | 2 | 112360425/0 | Nut | |
| 35 | 1 | 382598029/0 | Muffler Protection | |
| 36 | 2 | 112792611/0 | Screw | |
| 37 | 2 | 112583500/0 | Grower | |
| 41 | 1 | 182000200/1 | Throttle Cable | |
| 42 | 2 | 125943012/0 | Screw | |
| 44 | 1 | 125394501/0 | Knob | |
| 45 | 1 | 112726388/0 | Screw | |
| 46 | 1 | 112290800/0 | Nut | |
| 51 | 1 | 125735110/3 | Tank | Without Fuel Level |
| 51 | 1 | 325735111/3 | Tank | With Fuel Level |
| 52 | 1 | 125795000/1 | Fuel Cap | |
| 53 | 2 | 112788910/0 | Screw | |
| 54 | 2 | 112500092/0 | Rivet | |
| 61 | 1 | 118736110/0 | Starter Relay | |
| 62 | 2 | 112791011/0 | Screw | |
| 63 | 2 | 112292102/0 | Nut | |
| 64 | 2 | 112360352/0 | Nut | |
| 65 | 1 | 125065017/0 | Cable | |
| 66 | 1 | 118564861/1 | Protection | |



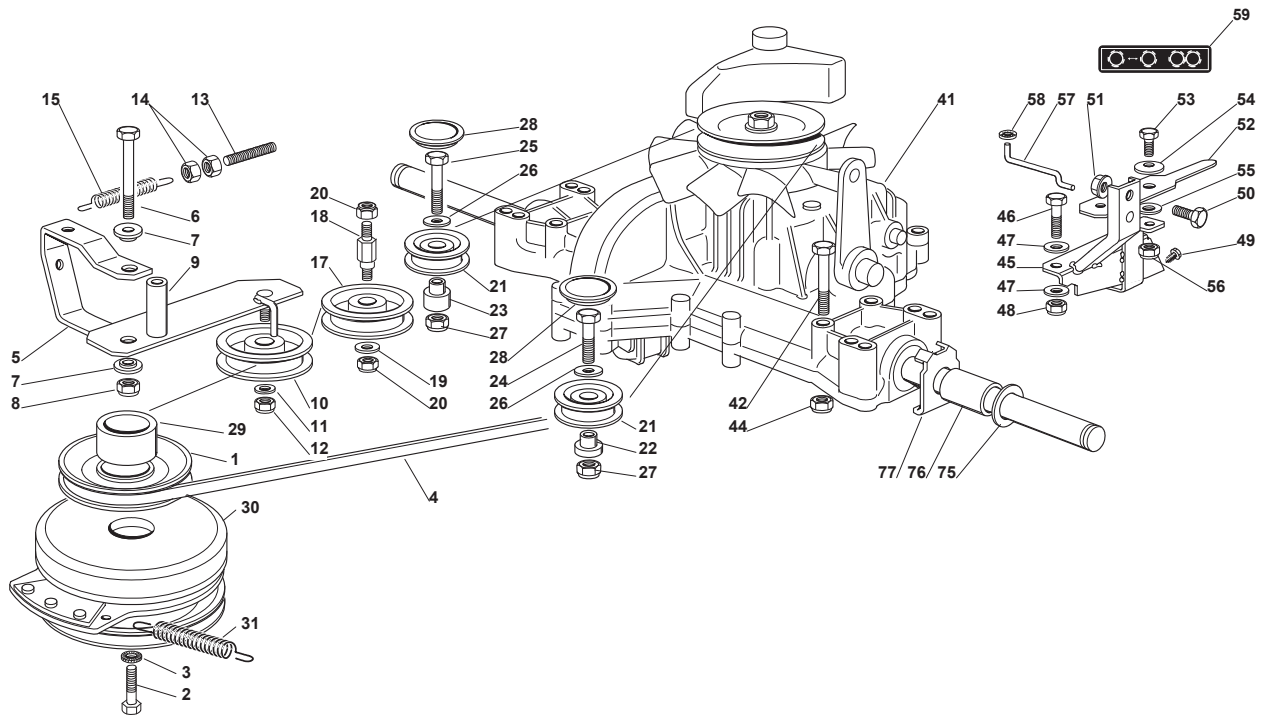
| Fig. | Q.ty | Part No | Description | Notes |
|------|------|-------------|--------------------------------|--------------------|
| 2 | 1 | 325869016/1 | Connecting Tube | |
| 3 | 2 | 118375051/1 | Fair Led | |
| 5 | 1 | 125598050/0 | Oil Discharge Extension | |
| 6 | 1 | 118737849/0 | Plug | |
| 7 | 1 | 118401001/1 | Oil Seal | |
| 8 | 3 | 112691100/0 | Screw | |
| 8 | 3 | 112735108/0 | Screw | |
| 9 | 3 | 112154210/0 | Nut | |
| 10 | 1 | 112691115/0 | Screw | |
| 11 | 1 | 112540260/0 | Grower | |
| 12 | 1 | 118738207/1 | Right Exhaust Pipe Kohler 22Hp | |
| 13 | 1 | 118738208/1 | Exhaust Tube Left | |
| 14 | 4 | 112293201/0 | Nut | |
| 15 | 1 | 112154210/0 | Nut | |
| 31 | 1 | 182750003/0 | Muffler Assy | |
| 32 | 2 | 112793102/0 | Screw | |
| 33 | 2 | 112540260/0 | Grower | |
| 34 | 2 | 112360425/0 | Nut | |
| 35 | 1 | 382598013/1 | Guard | |
| 36 | 2 | 112792611/0 | Screw | |
| 37 | 2 | 112583500/0 | Grower | |
| 41 | 1 | 182000204/1 | Throttle Cable | |
| 42 | 2 | 125943012/0 | Screw | |
| 44 | 1 | 125394501/0 | Knob | |
| 45 | 1 | 112726388/0 | Screw | |
| 46 | 1 | 112290800/0 | Nut | |
| 48 | 1 | 125090004/0 | Choke Control | |
| 51 | 1 | 125735110/3 | Tank | Without Fuel Level |
| 51 | 1 | 325735111/3 | Tank | With Fuel Level |
| 52 | 1 | 125795000/1 | Fuel Cap | |
| 53 | 2 | 112788910/0 | Screw | |
| 54 | 2 | 112500092/0 | Rivet | |
| 61 | 1 | 118736110/0 | Starter Relay | |
| 62 | 2 | 112791011/0 | Screw | |
| 63 | 2 | 112292102/0 | Nut | |
| 64 | 2 | 112360352/0 | Nut | |
| 65 | 1 | 125065017/0 | Cable | |
| 66 | 1 | 118564861/1 | Protection | |



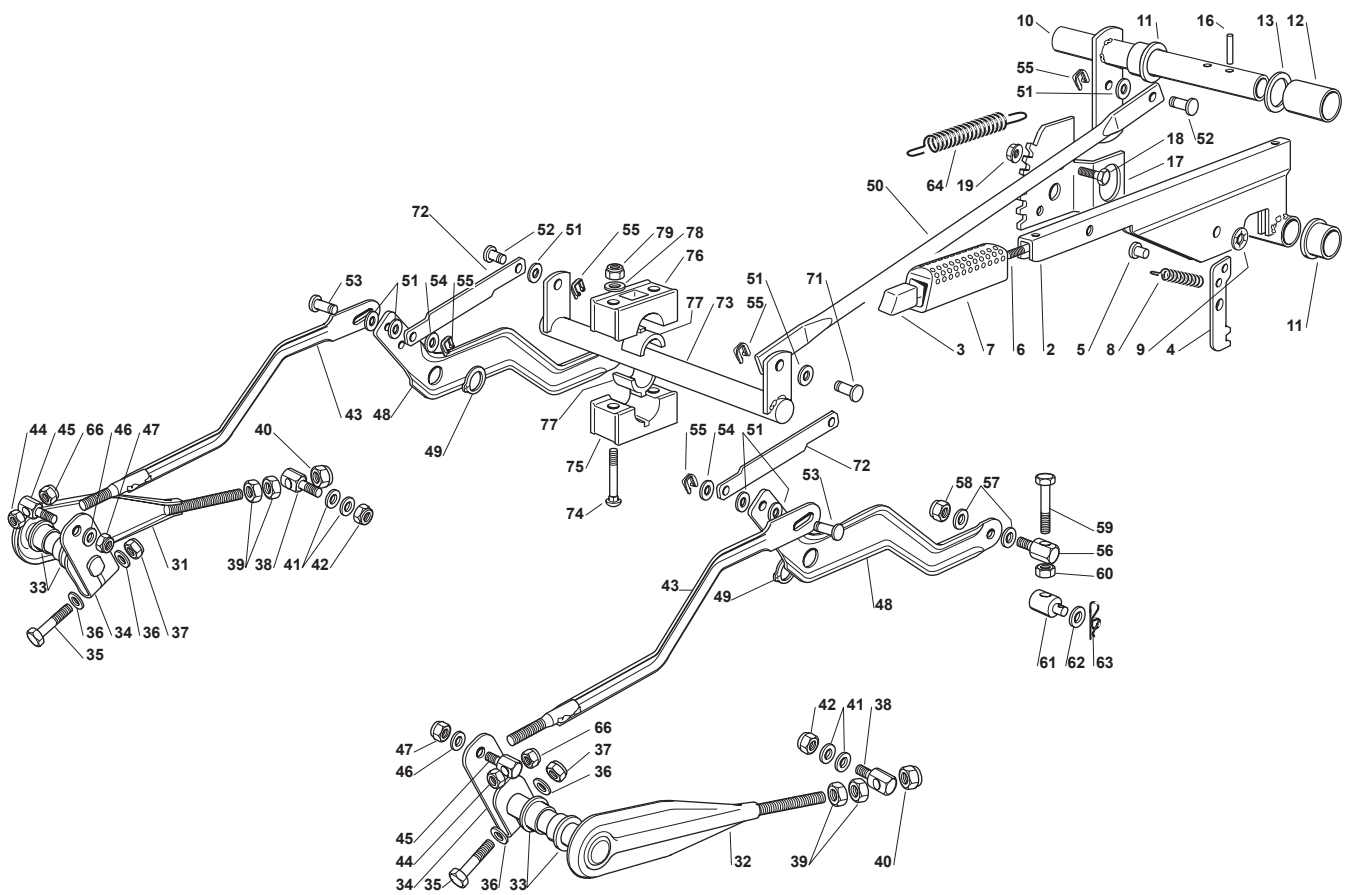
| Fig. | Q.ty | Part No | Description | Notes |
|------|------|-------------|--------------------------|-------|
| 1 | 2 | 118375051/1 | Fair Led | |
| 2 | 1 | 138780531/0 | Fuel Tube | |
| 3 | 1 | 127598060/0 | Oil Discharge Extension | |
| 4 | 1 | 118401001/1 | Oil Seal | |
| 5 | 1 | 118737849/0 | Plug | |
| 6 | 1 | 118738254/0 | Left Exhaust Connection | |
| 7 | 1 | 118738255/0 | Right Exhaust Connection | |
| 8 | 3 | 112360425/0 | Nut | |
| 9 | 3 | 112793102/0 | Screw | |
| 10 | 2 | 112540260/0 | Grower | |
| 11 | 1 | 182750014/0 | Muffler | |
| 12 | 2 | 112280100/0 | Nut | |
| 13 | 1 | 382598065/0 | Muffler Protection | |
| 14 | 2 | 112792611/0 | Screw | |
| 15 | 2 | 112583500/0 | Grower | |
| 16 | 4 | 112540070/0 | Washer | |
| 17 | 4 | 112735821/0 | Screw | |
| 18 | 1 | 112792611/0 | Screw | |
| 19 | 1 | 112521350/0 | Washer | |
| 20 | 1 | 125430252/0 | Spring | |
| 21 | 3 | 112540260/0 | Grower | |
| 22 | 3 | 112793102/0 | Screw | |
| 23 | 1 | 125090001/2 | Choke Control | |
| 24 | 1 | 182000201/2 | Accelerator | |
| 25 | 2 | 125943012/0 | Screw | |
| 26 | 1 | 325592000/0 | Knob | |
| 27 | 1 | 112726388/0 | Screw | |
| 28 | 1 | 112290800/0 | Nut | |



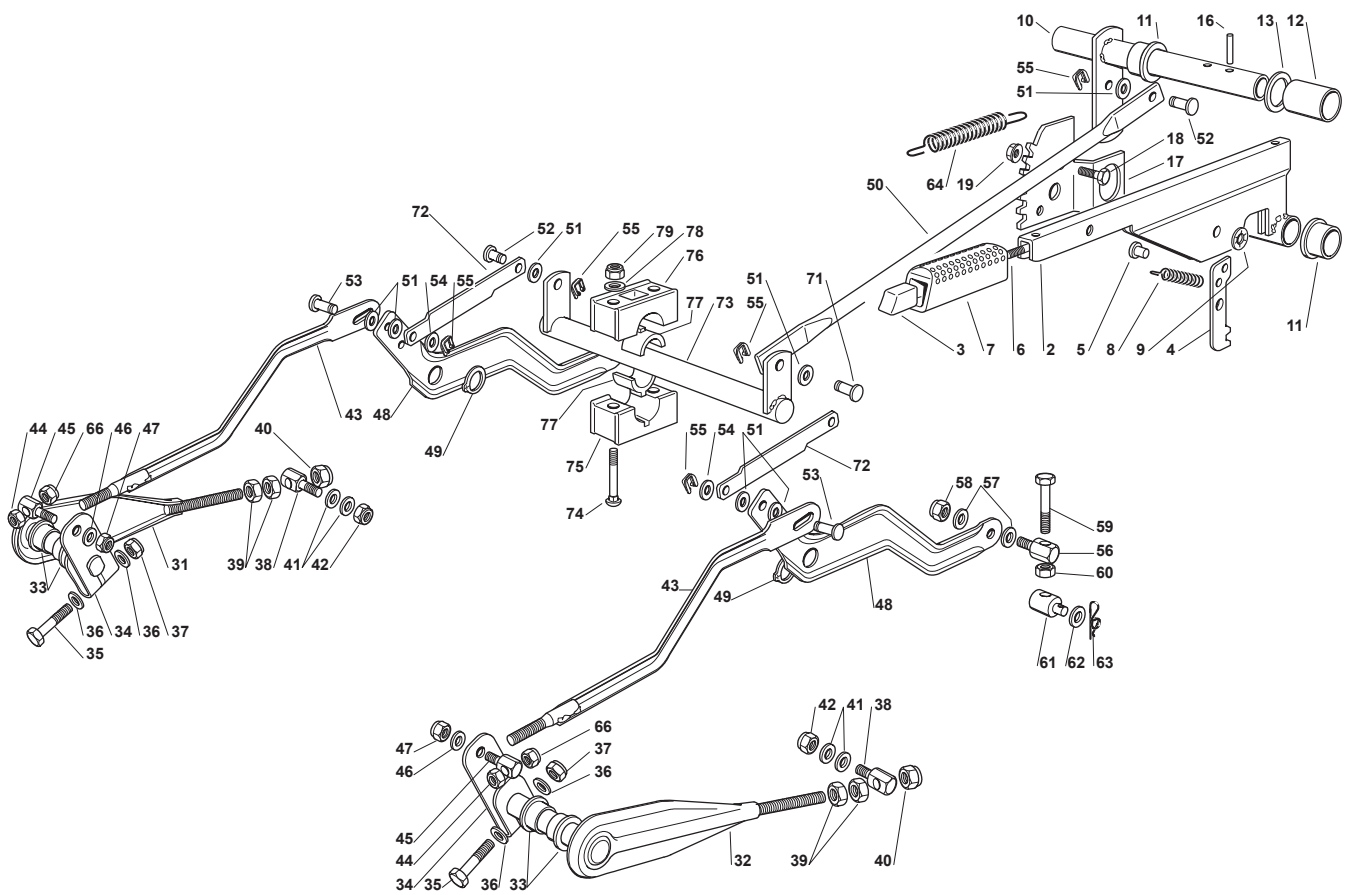
| Fig. | Q.ty | Part No | Description | Notes |
|------|------|-------------|--------------------------|-------|
| 1 | 2 | 118375051/1 | Fair Led | |
| 2 | 1 | 138780531/0 | Fuel Tube | |
| 3 | 1 | 127598060/0 | Oil Discharge Extension | |
| 4 | 1 | 118401001/1 | Oil Seal | |
| 5 | 1 | 118737849/0 | Plug | |
| 6 | 1 | 118738256/0 | Left Exhaust Connection | |
| 7 | 1 | 118738257/0 | Right Exhaust Connection | |
| 8 | 3 | 112360425/0 | Nut | |
| 9 | 3 | 112793102/0 | Screw | |
| 10 | 2 | 112540260/0 | Grower | |
| 11 | 1 | 182750014/0 | Muffler | |
| 12 | 2 | 112280100/0 | Nut | |
| 13 | 1 | 382598065/0 | Muffler Protection | |
| 14 | 2 | 112792611/0 | Screw | |
| 15 | 2 | 112583500/0 | Grower | |
| 16 | 4 | 112540070/0 | Washer | |
| 17 | 4 | 112735821/0 | Screw | |
| 18 | 1 | 112792611/0 | Screw | |
| 19 | 1 | 112521350/0 | Washer | |
| 20 | 1 | 125430252/0 | Spring | |
| 21 | 3 | 112540260/0 | Grower | |
| 22 | 3 | 112793102/0 | Screw | |
| 23 | 1 | 125090001/2 | Choke Control | |
| 24 | 1 | 182000201/2 | Accelerator | |
| 25 | 2 | 125943012/0 | Screw | |
| 26 | 1 | 325592000/0 | Knob | |
| 27 | 1 | 112726388/0 | Screw | |
| 28 | 1 | 112290800/0 | Nut | |



| Fig. | Q.ty | Part No | Description | Notes |
|------|------|-------------|--------------------------|-------|
| 1 | 1 | 125601566/0 | Pulley | |
| 2 | 1 | 112737320/0 | Screw | |
| 3 | 1 | 112543000/0 | Washer | |
| 4 | 1 | 135062001/0 | Trapezoidal Belt | |
| 5 | 1 | 382318165/1 | Lever | |
| 6 | 1 | 112692000/0 | Screw | |
| 7 | 2 | 125038002/1 | Bushing | |
| 8 | 1 | 112155000/0 | Nut | |
| 9 | 1 | 125160027/0 | Spacer | |
| 10 | 1 | 125601554/0 | Pulley | |
| 11 | 1 | 112523060/0 | Washer | |
| 12 | 1 | 112155000/0 | Nut | |
| 13 | 1 | 125840010/1 | Tie Rod | |
| 14 | 2 | 112293200/0 | Nut | |
| 15 | 1 | 125430219/0 | Spring | |
| 17 | 1 | 325601599/0 | Pulley | |
| 18 | 1 | 125510036/2 | Pin | |
| 19 | 1 | 112523060/0 | Washer | |
| 20 | 2 | 112155000/0 | Nut | |
| 21 | 2 | 325601570/1 | Pulley | |
| 22 | 1 | 125160030/2 | Left Spacer | |
| 23 | 1 | 125160024/2 | Right Spacer | |
| 24 | 1 | 112691115/0 | Screw | |
| 25 | 1 | 112691400/0 | Screw | |
| 26 | 2 | 112523060/0 | Washer | |
| 27 | 2 | 112155000/0 | Nut | |
| 28 | 2 | 125109521/1 | Cover | |
| 29 | 1 | 125160021/0 | Spacer | |
| 30 | 1 | 118399062/0 | Electromagnetic Clutch | |
| 31 | 1 | 125430210/1 | Brake Spring | |
| 41 | 1 | 118400950/1 | Rear Axle Tuff Torq K46F | |
| 42 | 4 | 112691800/0 | Screw | |
| 44 | 4 | 112154210/0 | Nut | |
| 45 | 1 | 382785109/0 | Support | |
| 46 | 1 | 112691200/0 | Screw | |
| 47 | 2 | 112521350/0 | Washer | |
| 48 | 1 | 112155000/0 | Nut | |
| 49 | 2 | 112735120/0 | Screw | |
| 50 | 1 | 112792611/0 | Screw | |
| 51 | 1 | 112293201/0 | Nut | |
| 52 | 1 | 325318157/0 | Lever | |
| 53 | 1 | 112793102/0 | Screw | |
| 54 | 1 | 112369500/0 | Elastic Washer | |
| 55 | 1 | 325670011/0 | Antifriction Washer | |
| 56 | 1 | 112155000/0 | Nut | |
| 57 | 1 | 125033033/0 | Rod | |
| 58 | 1 | 112604896/0 | Crown Fastener | |
| 59 | 1 | 114357423/2 | Label | |
| 75 | 4 | 125670005/1 | Washer | |
| 76 | 2 | 125160023/0 | Spacer | |
| 77 | 2 | 325670025/0 | Washer | |



| Fig. | Q.ty | Part No | Description | Notes |
|------|------|-------------|---------------------------|-------|
| 2 | 1 | 382318139/0 | Deck Lifting Lever | |
| 3 | 1 | 125605000/1 | Button | |
| 4 | 1 | 325470901/0 | Dog | |
| 5 | 1 | 125510011/0 | Pin | |
| 6 | 1 | 125033002/0 | Push Rod | |
| 7 | 1 | 325394536/0 | Knob | |
| 8 | 1 | 125430208/0 | Spring | |
| 9 | 1 | 112604899/0 | Crown Fastener | |
| 10 | 1 | 382000551/0 | Axle | |
| 11 | 2 | 122034523/0 | Bushing | |
| 12 | 1 | 125160025/0 | Spacer | |
| 13 | 1 | 322672153/0 | Antifriction Washer | |
| 16 | 2 | 112620206/0 | Pin | |
| 17 | 1 | 325735506/1 | Left Sector | |
| 18 | 2 | 112792611/0 | Screw | |
| 19 | 2 | 112293201/0 | Nut | |
| 31 | 1 | 382318159/0 | Front Right Fulcrum Lever | |
| 32 | 1 | 382318161/0 | Lever | |
| 33 | 4 | 125040605/0 | Bushing | |
| 34 | 2 | 325318161/0 | Lever | |
| 35 | 2 | 112691700/0 | Screw | |
| 36 | 4 | 112521350/0 | Washer | |
| 37 | 2 | 112155000/0 | Nut | |
| 38 | 2 | 125510056/0 | Pin | |
| 39 | 4 | 112295200/0 | Nut | |
| 40 | 2 | 112156602/0 | Nut | |
| 41 | 4 | 325670008/1 | Washer | |
| 42 | 2 | 112156602/0 | Nut | |
| 43 | 2 | 382000477/2 | Connecting Rod Assy | |
| 44 | 2 | 112155000/0 | Nut | |
| 45 | 2 | 125510055/1 | Pin | |
| 46 | 2 | 112521350/0 | Washer | |
| 47 | 2 | 112155000/0 | Nut | |
| 48 | 2 | 325318153/1 | Rear Lever | |
| 49 | 2 | 112609255/0 | Seeger | |
| 50 | 1 | 325033071/0 | Rod | |
| 51 | 7 | 325670011/0 | Antifriction Washer | |
| 52 | 2 | 125510117/0 | Pin | |
| 53 | 2 | 125510048/1 | Pin | |
| 54 | 2 | 112521350/0 | Washer | |
| 55 | 5 | 112436050/0 | Plate | |
| 56 | 2 | 125510056/0 | Pin | |
| 57 | 4 | 325670008/1 | Washer | |
| 58 | 2 | 112156602/0 | Nut | |
| 59 | 2 | 112794985/0 | Screw | |
| 60 | 2 | 112295200/0 | Nut | |
| 61 | 2 | 125510070/0 | Pin | |
| 62 | 2 | 112523090/0 | Washer | |
| 63 | 2 | 124487998/0 | Cotter Pin | |
| 64 | 1 | 125430218/0 | Spring | |
| 66 | 2 | 112293200/0 | Nut | |

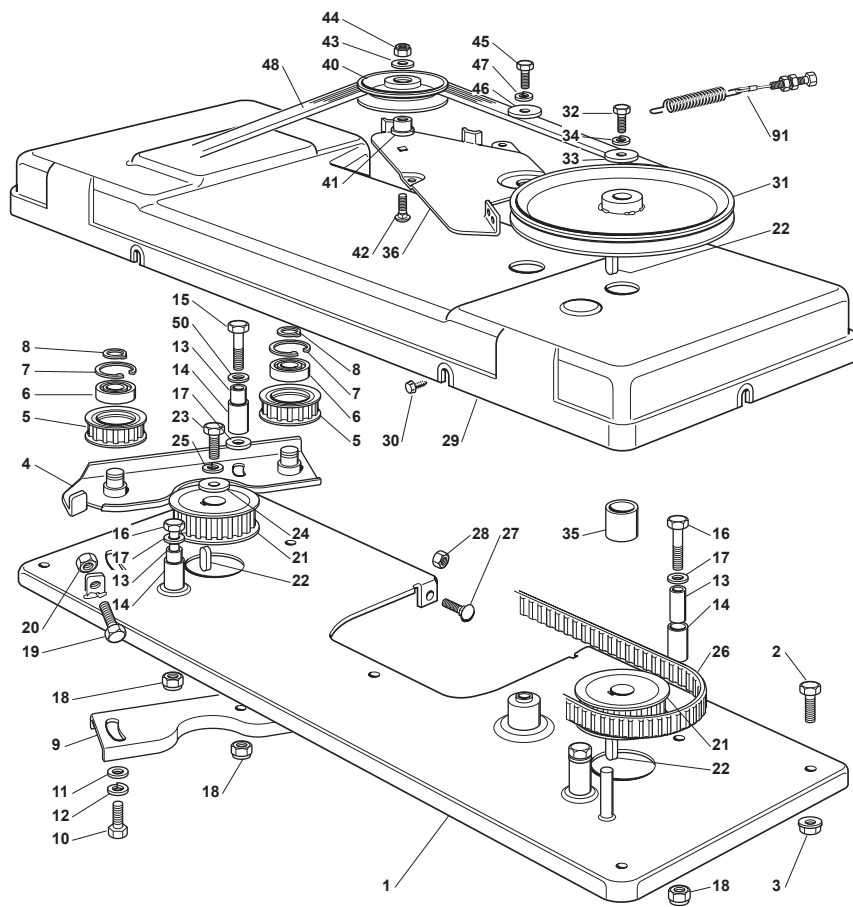


TCB 122 HYDRO

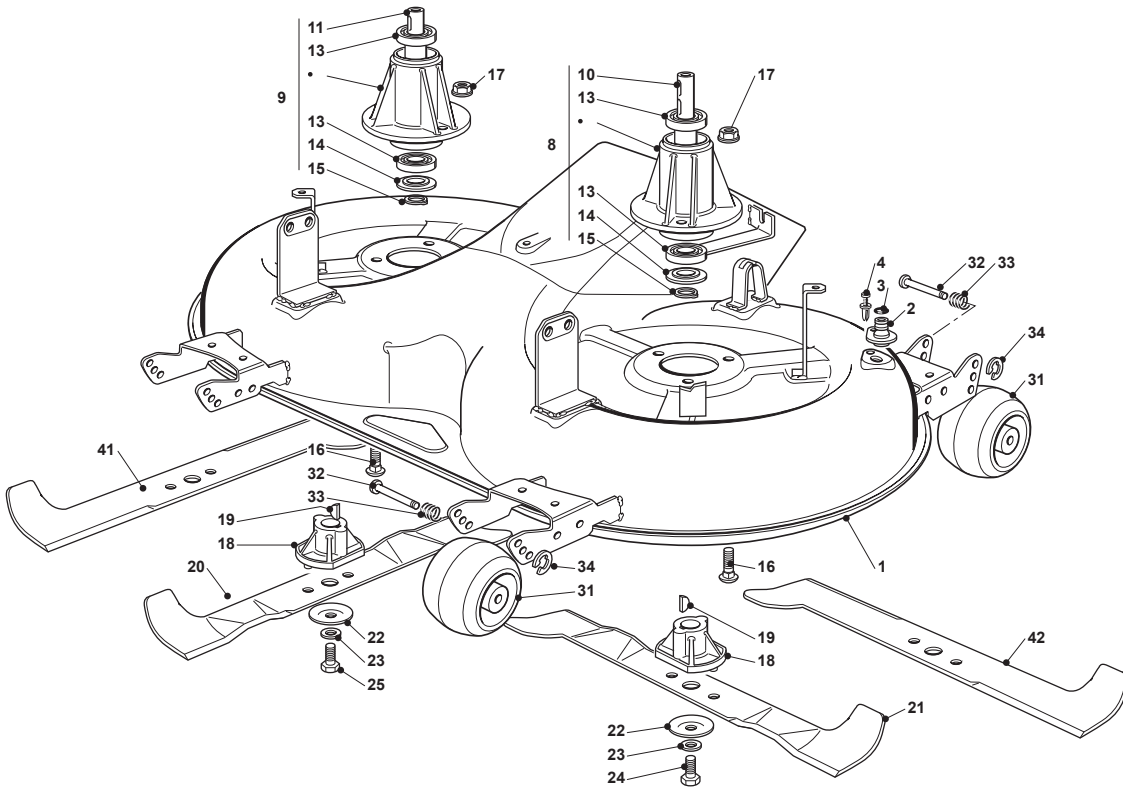
Ride-on 102-122 Cutting Plate Lifting

Issue 17 - 2015

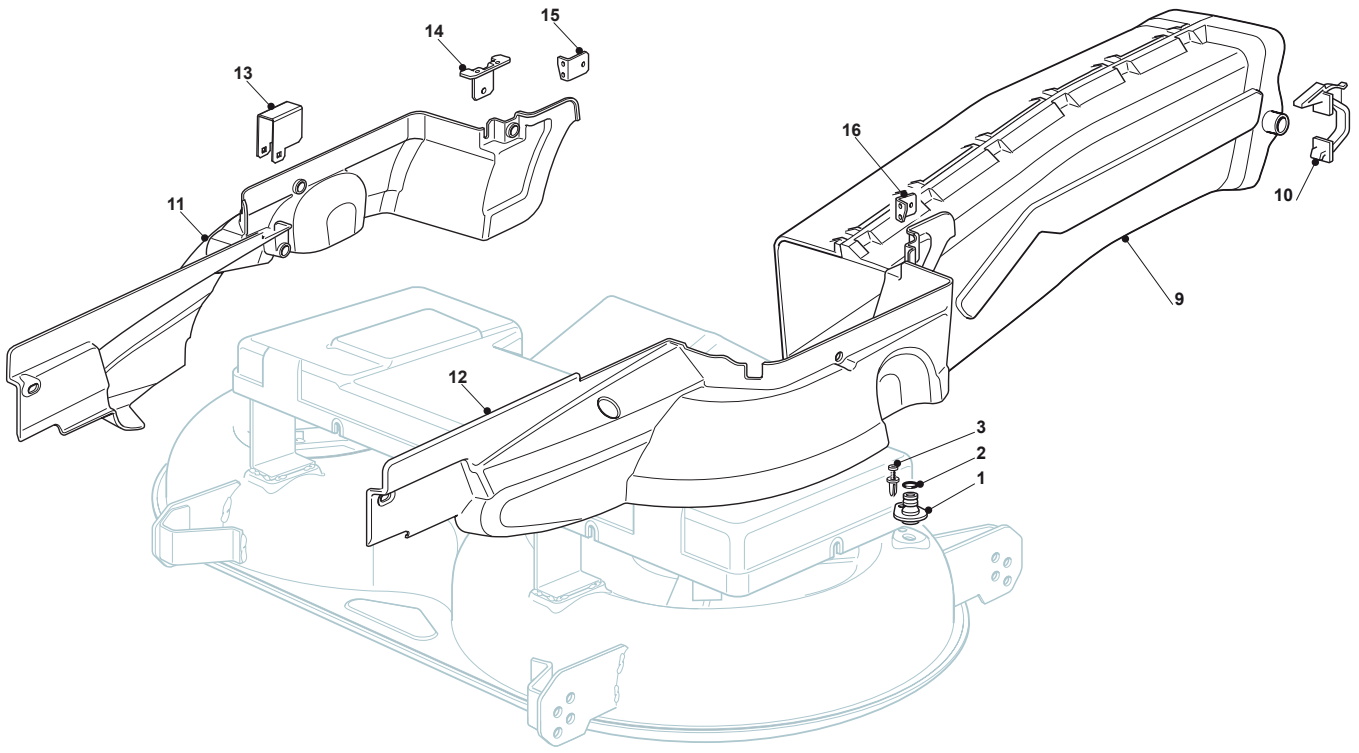
| Fig. | Q.ty | Part No | Description | Notes |
|------|------|-------------|-------------|-------|
| 71 | 1 | 125510048/1 | Pin | |
| 72 | 2 | 325318223/0 | Gearshift | |
| 73 | 1 | 382000585/0 | Axle | |
| 74 | 4 | 112815271/0 | Screw | |
| 75 | 2 | 325785355/0 | Support | |
| 76 | 2 | 325785354/0 | Support | |
| 77 | 4 | 325034003/0 | Brass | |
| 78 | 4 | 112523040/0 | Washer | |
| 79 | 4 | 112154510/0 | Nut | |



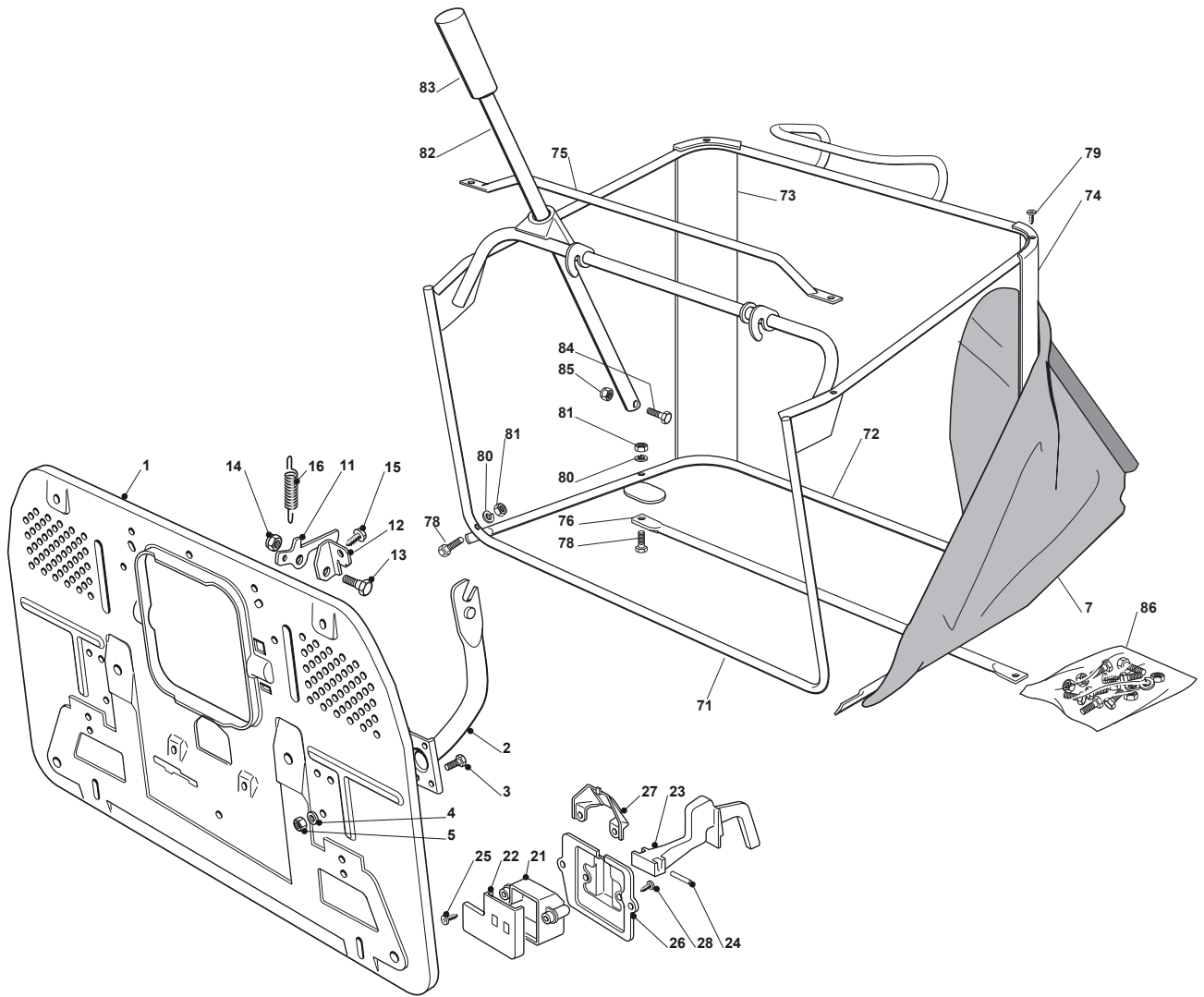
| Fig. | Q.ty | Part No | Description | Notes |
|------|------|-------------|-------------------|-------|
| 1 | 1 | 382547031/0 | Plate | |
| 2 | 4 | 112792611/0 | Screw | |
| 3 | 4 | 112293201/0 | Nut | |
| 4 | 1 | 382785084/1 | Support | |
| 5 | 2 | 125601561/0 | Pulley | |
| 6 | 2 | 119216048/0 | Bearing | |
| 7 | 2 | 112610800/0 | Seeger | |
| 8 | 2 | 112609200/0 | Seeger | |
| 9 | 1 | 325650037/0 | Pulley Stiffening | |
| 10 | 2 | 112793102/0 | Screw | |
| 11 | 2 | 112521350/0 | Washer | |
| 12 | 2 | 112583500/0 | Grower | |
| 13 | 4 | 125160003/0 | Spacer | |
| 14 | 4 | 125038000/0 | Bushing | |
| 15 | 1 | 112691700/0 | Screw | |
| 16 | 3 | 112691200/0 | Screw | |
| 17 | 4 | 112521350/0 | Washer | |
| 18 | 4 | 112293201/0 | Nut | |
| 19 | 1 | 112793900/0 | Screw | |
| 20 | 1 | 112293200/0 | Nut | |
| 21 | 2 | 125601562/0 | Pulley | |
| 22 | 3 | 112139480/0 | Feather | |
| 23 | 1 | 112793102/0 | Screw | |
| 24 | 1 | 125670007/0 | Washer | |
| 25 | 1 | 112583500/0 | Grower | |
| 26 | 1 | 135065601/0 | Belt | |
| 27 | 3 | 112815200/0 | Screw | |
| 28 | 3 | 112292102/0 | Nut | |
| 29 | 1 | 125060101/2 | Protection | |
| 30 | 6 | 112735110/0 | Screw | |
| 31 | 1 | 125601549/0 | Pulley | |
| 32 | 1 | 112793102/0 | Screw | |
| 33 | 1 | 125670007/0 | Washer | |
| 34 | 1 | 112583500/0 | Grower | |
| 35 | 1 | 125160002/0 | Spacer | |
| 36 | 1 | 325318119/0 | Lever | |
| 40 | 1 | 325601599/0 | Pulley | |
| 41 | 1 | 125160079/0 | Spacer | |
| 42 | 1 | 112818900/0 | Screw | |
| 43 | 1 | 112523060/0 | Washer | |
| 44 | 1 | 112155000/0 | Nut | |
| 45 | 1 | 112793102/0 | Screw | |
| 46 | 1 | 112523070/0 | Washer | |
| 47 | 1 | 112583500/0 | Grower | |
| 48 | 1 | 135062812/0 | Belt | |
| 50 | 1 | 112523060/0 | Washer | |
| 91 | 1 | 182004609/0 | Engagging Cable | |



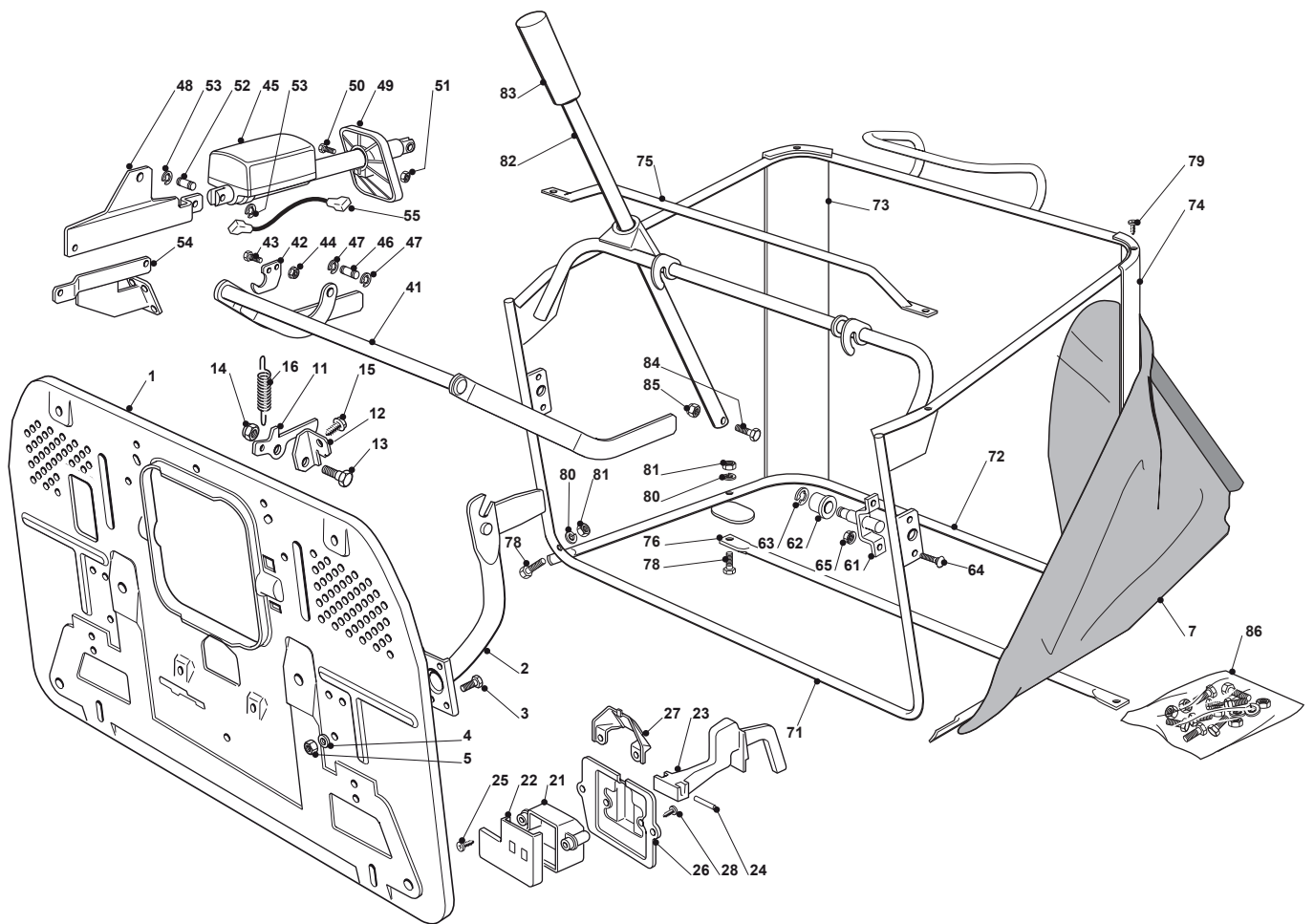
| Fig. | Q.ty | Part No | Description | Notes |
|------|------|-------------|---------------------------------|--------|
| 1 | 1 | 382564220/0 | Cutting Plate Grey | Grey |
| 1 | 1 | 382564213/0 | Cutting Plate Black | Black |
| 1 | 1 | 382564214/0 | Cutting Plate Red | Red |
| 1 | 1 | 382564215/0 | Cutting Plate Yellow | Yellow |
| 2 | 2 | 125033060/0 | Washing Cutting Deck Connection | |
| 3 | 2 | 119035000/0 | Or Ring | |
| 4 | 2 | 112500030/0 | Rivet | |
| 8 | 1 | 382207200/1 | Flange Assy | |
| 9 | 1 | 382207201/2 | Support Shaft Tc | |
| 10 | 1 | 125020800/1 | Main Blade Shaft | |
| 11 | 1 | 125020801/2 | Secondary Blade Shaft | |
| 13 | 4 | 119216032/0 | Bearing | |
| 14 | 2 | 325160501/0 | Dust Cover Disc | |
| 15 | 2 | 112609260/0 | Seeger | |
| 16 | 6 | 112818700/0 | Screw | |
| 17 | 6 | 112154210/0 | Nut | |
| 18 | 2 | 125463200/0 | Blade Hub | |
| 19 | 2 | 112139100/0 | Key | |
| 20 | 1 | 182004350/0 | Right Mulching Blade | |
| 21 | 1 | 182004349/0 | Left Blade Mulching | |
| 22 | 2 | 122160400/0 | Elastic Disc | |
| 23 | 2 | 112523080/0 | Washer | |
| 24 | 1 | 112735694/0 | Screw | |
| 25 | 1 | 112735695/1 | Screw | |
| 31 | 4 | 182700004/0 | Anti Scalp Wheel | |
| 32 | 4 | 125510121/0 | Pin | |
| 33 | 4 | 122450115/0 | Spring | |
| 34 | 4 | 112000930/0 | Benzing Ring | |
| 41 | 1 | 182004343/0 | Right Blade | |
| 42 | 1 | 182004342/0 | Left Blade, Winged | |



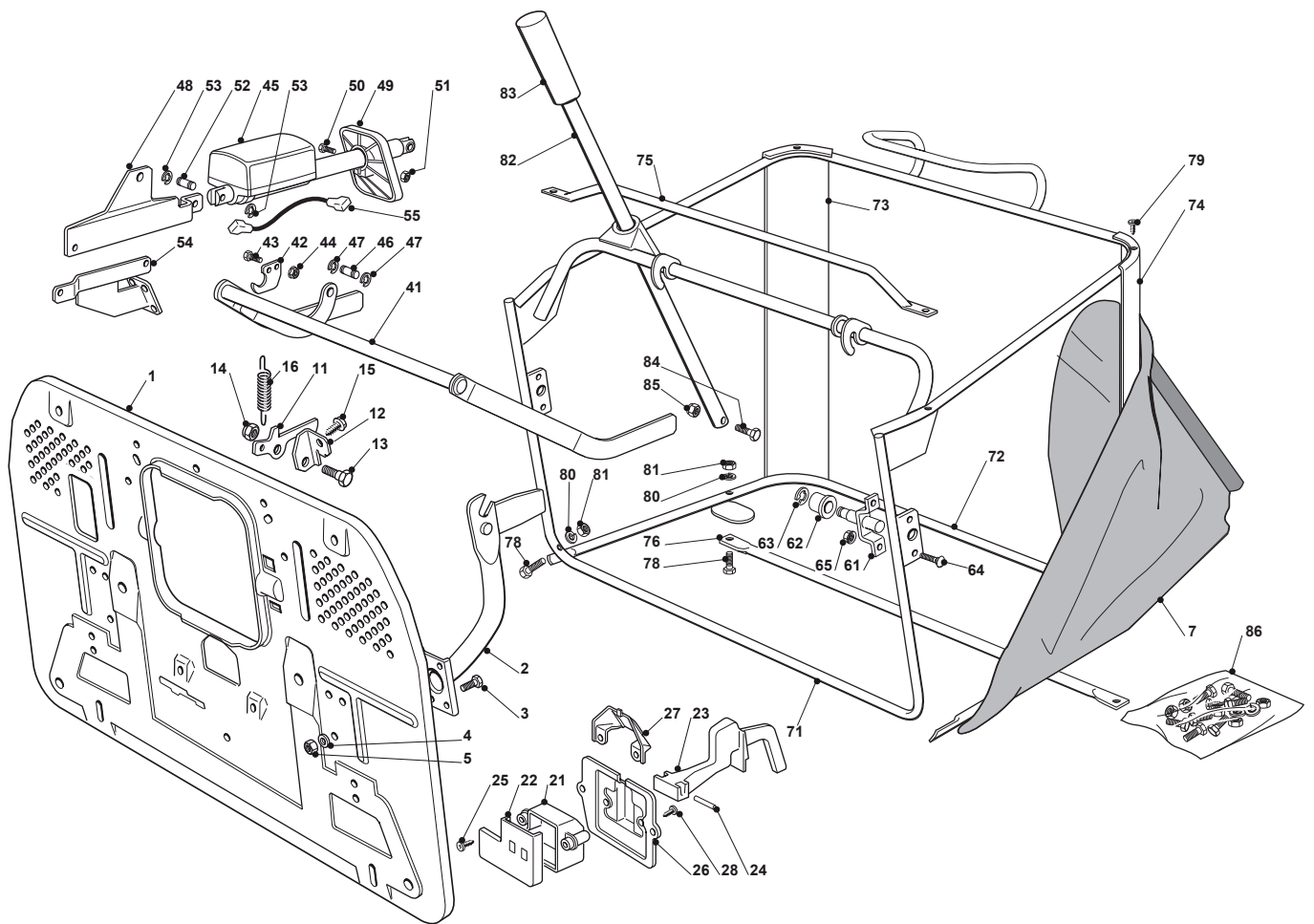
| Fig. | Q.ty | Part No | Description | Notes |
|------|------|-------------|---------------------------------|-------|
| 1 | 2 | 125033060/0 | Washing Cutting Deck Connection | |
| 2 | 2 | 119035000/0 | Or Ring | |
| 3 | 2 | 112500030/0 | Rivet | |
| 9 | 1 | 382108020/0 | Conveyor | |
| 10 | 2 | 325774373/0 | Clamp | |
| 11 | 1 | 325060142/0 | Right Belt Protection Carter | |
| 12 | 1 | 325060143/0 | Left Belt Protection | |
| 13 | 2 | 325774267/0 | Clamp | |
| 14 | 2 | 325774423/0 | Clamp | |
| 15 | 1 | 325774425/0 | Clamp | |
| 16 | 1 | 325774421/0 | Clamp | |



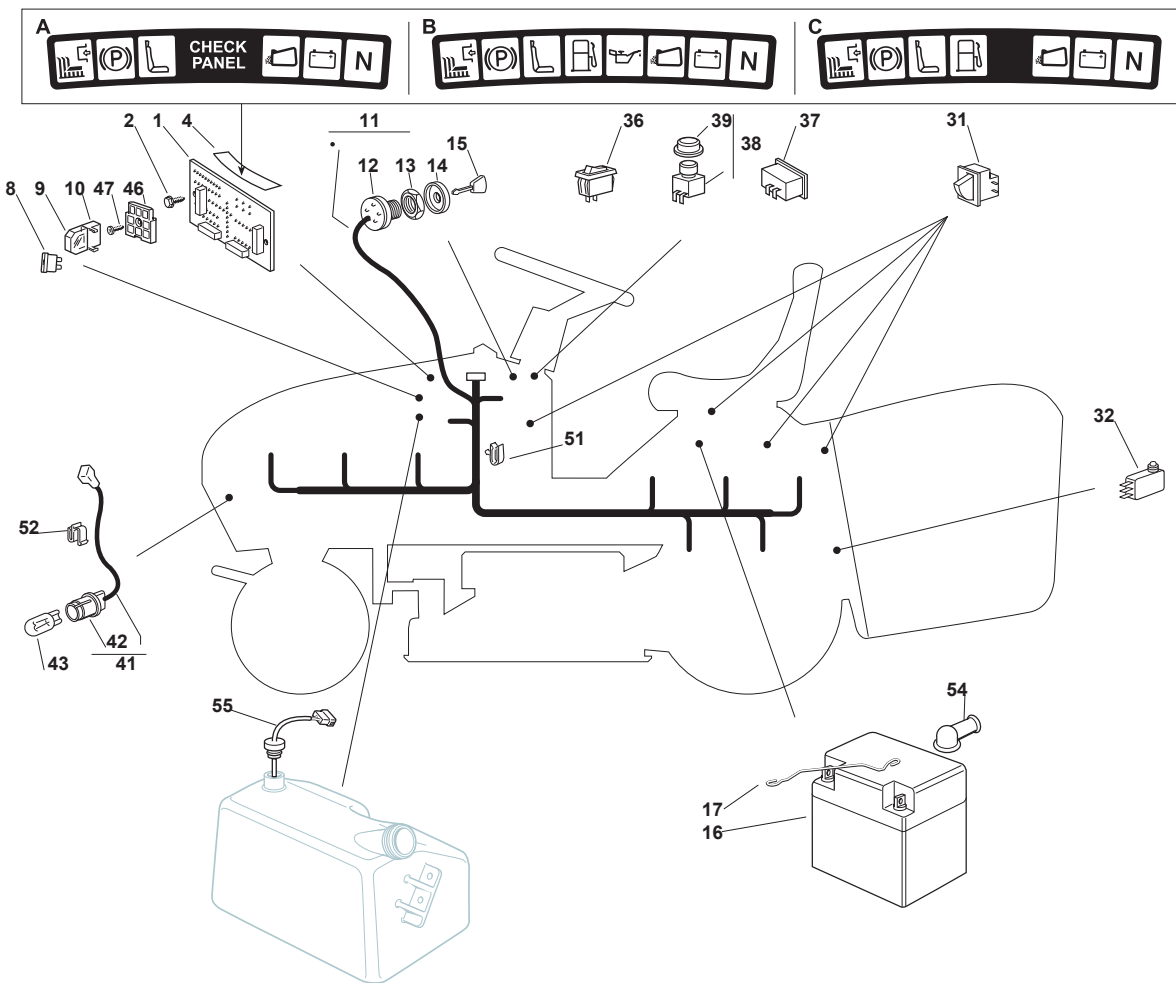
| Fig. | Q.ty | Part No | Description | Notes |
|------|------|-------------|-------------------------------------|-------|
| 1 | 1 | 382547051/0 | Plate | |
| 2 | 2 | 182774225/1 | Clamp | |
| 3 | 6 | 112793102/0 | Screw | |
| 4 | 6 | 112523060/0 | Washer | |
| 5 | 6 | 112293201/0 | Nut | |
| 7 | 1 | 182106000/2 | Grasscatcher | |
| 11 | 1 | 325774315/1 | Bracket | |
| 12 | 1 | 325755031/1 | Bracket | |
| 13 | 1 | 125510080/1 | Pin | |
| 14 | 1 | 112292102/0 | Nut | |
| 15 | 1 | 112735122/0 | Screw | |
| 16 | 1 | 125430210/1 | Brake Spring | |
| 21 | 1 | 125600041/0 | Grassc.Full Micro Protection Tcj-F | |
| 22 | 1 | 125600042/0 | Grasscatcher Micro Prot Cover | |
| 23 | 1 | 125318124/0 | Full Grassc. Microswitch Cover | |
| 24 | 1 | 112400030/0 | Pin | |
| 25 | 1 | 112728510/0 | Screw | |
| 26 | 1 | 325785272/0 | Micro Protection | |
| 27 | 1 | 125600048/0 | Empty Micro Grassc.Protection Cover | |
| 28 | 2 | 112728450/0 | Screw | |
| 71 | 1 | 382800051/0 | Upper Frame | |
| 72 | 1 | 382800002/2 | Lower Grasscatcher Frame | |
| 73 | 1 | 325032001/1 | Right Angular Support | |
| 74 | 1 | 325032002/1 | Left Angular Support | |
| 75 | 1 | 382394001/2 | Front Handle | |
| 76 | 1 | 382650038/0 | Lower Stiffening | |
| 78 | 4 | 112792099/0 | Screw | |
| 79 | 4 | 112729601/1 | Screw | |
| 80 | 4 | 112582101/0 | Grower | |
| 81 | 4 | 112292100/0 | Nut | |
| 82 | 1 | 125869029/1 | Grasscatcher Lifting Tube | |
| 83 | 1 | 125394508/0 | Knob | |
| 84 | 1 | 112792099/0 | Screw | |
| 85 | 1 | 112154510/0 | Nut | |
| 86 | 1 | 382180027/1 | Outfit, Screws | |



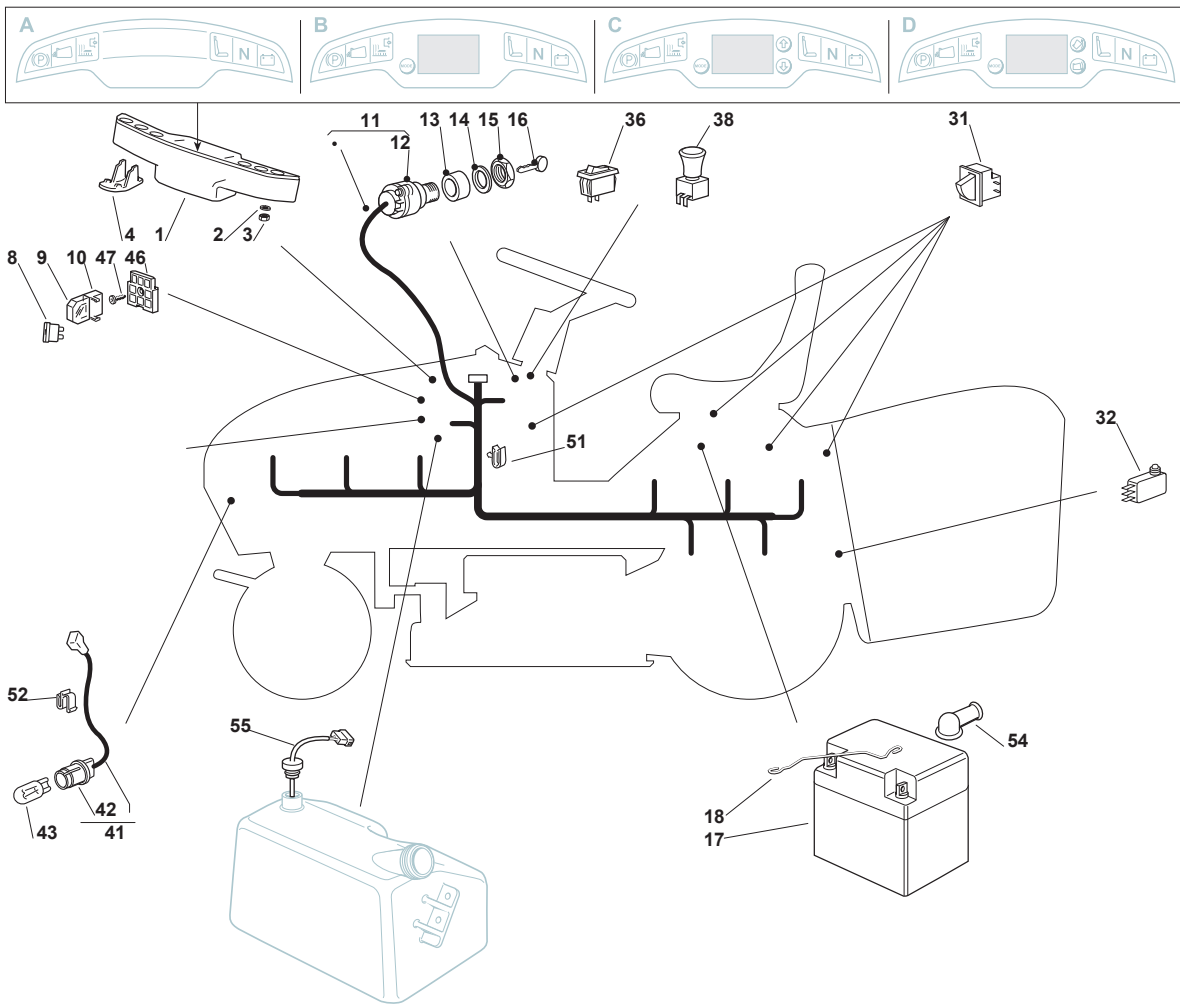
| Fig. | Q.ty | Part No | Description | Notes |
|------|------|-------------|-------------------------------------|-------|
| 1 | 1 | 382547053/0 | Plate | |
| 2 | 2 | 382774245/0 | Support | |
| 3 | 6 | 112793102/0 | Screw | |
| 4 | 6 | 112523060/0 | Washer | |
| 5 | 6 | 112293201/0 | Nut | |
| 7 | 1 | 182106000/2 | Grasscatcher | |
| 11 | 1 | 325774315/1 | Bracket | |
| 12 | 1 | 325755031/1 | Bracket | |
| 13 | 1 | 125510080/1 | Pin | |
| 14 | 1 | 112292102/0 | Nut | |
| 15 | 1 | 112735122/0 | Screw | |
| 16 | 1 | 125430210/1 | Brake Spring | |
| 21 | 1 | 125600041/0 | Grassc.Full Micro Protection Tcj-F | |
| 22 | 1 | 125600042/0 | Grasscatcher Micro Prot Cover | |
| 23 | 1 | 125318124/0 | Full Grassc. Microswtich Cover | |
| 24 | 1 | 112400030/0 | Pin | |
| 25 | 1 | 112728510/0 | Screw | |
| 26 | 1 | 325785272/0 | Micro Protection | |
| 27 | 1 | 125600048/0 | Empty Micro Grassc.Protection Cover | |
| 28 | 2 | 112728450/0 | Screw | |
| 41 | 1 | 382000507/1 | Axle | |
| 42 | 2 | 325774317/0 | Grasscatcher Lifting Axle Clam | |
| 43 | 4 | 112815210/0 | Screw | |
| 44 | 4 | 112154510/0 | Nut | |
| 45 | 1 | 118001000/0 | Actuator | |
| 46 | 1 | 125510083/0 | Pin | |
| 47 | 2 | 112000955/0 | Benzing Ring | |
| 48 | 1 | 325785197/0 | Actuator Support | |
| 49 | 1 | 325600060/0 | Protection | |
| 50 | 1 | 112727795/0 | Screw | |
| 51 | 1 | 112154330/0 | Nut | |
| 52 | 1 | 125510083/0 | Pin | |
| 53 | 2 | 112000955/0 | Benzing Ring | |
| 54 | 1 | 382650209/0 | Stiffening | |
| 55 | 1 | 125065030/0 | Connecting Cable | |
| 61 | 2 | 382785147/0 | Support | |
| 62 | 2 | 125690001/0 | Roll | |
| 63 | 2 | 112000956/0 | Benzing Ring | |
| 64 | 4 | 112818690/0 | Screw | |
| 65 | 4 | 112293201/0 | Nut | |
| 71 | 1 | 382800093/0 | Upper Frame | |
| 72 | 1 | 382800002/2 | Lower Grasscatcher Frame | |
| 73 | 1 | 325032001/1 | Right Angular Support | |
| 74 | 1 | 325032002/1 | Left Angular Support | |
| 75 | 1 | 382394001/2 | Front Handle | |
| 76 | 1 | 382650038/0 | Lower Stiffening | |
| 78 | 4 | 112792099/0 | Screw | |
| 79 | 4 | 112729601/1 | Screw | |
| 80 | 4 | 112582101/0 | Grower | |
| 81 | 4 | 112292100/0 | Nut | |
| 82 | 1 | 125869029/1 | Grasscatcher Lifting Tube | |



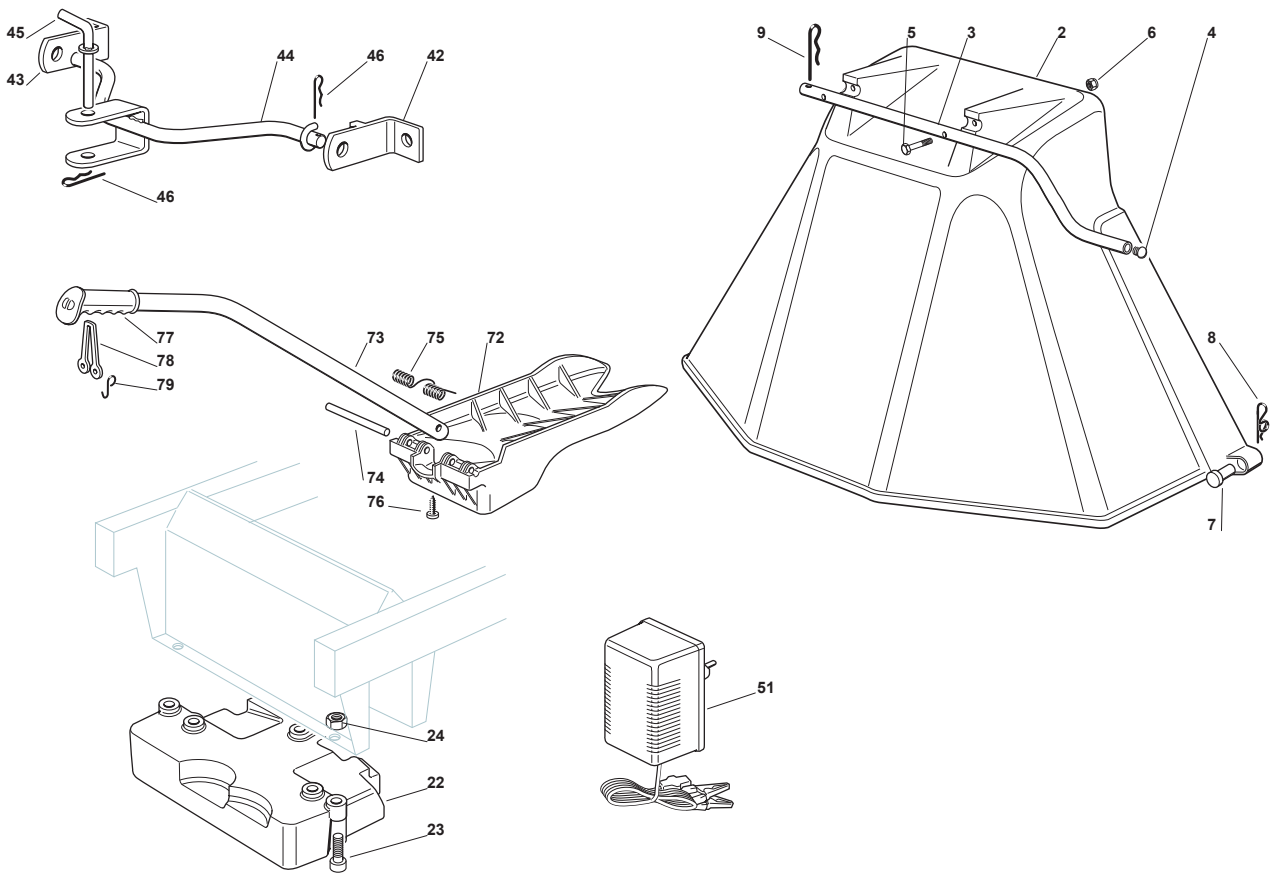
| Fig. | Q.ty | Part No | Description | Notes |
|------|------|-------------|----------------|-------|
| 83 | 1 | 125394508/0 | Knob | |
| 84 | 1 | 112792099/0 | Screw | |
| 85 | 1 | 112154510/0 | Nut | |
| 86 | 1 | 382180045/0 | Outfit, Screws | |



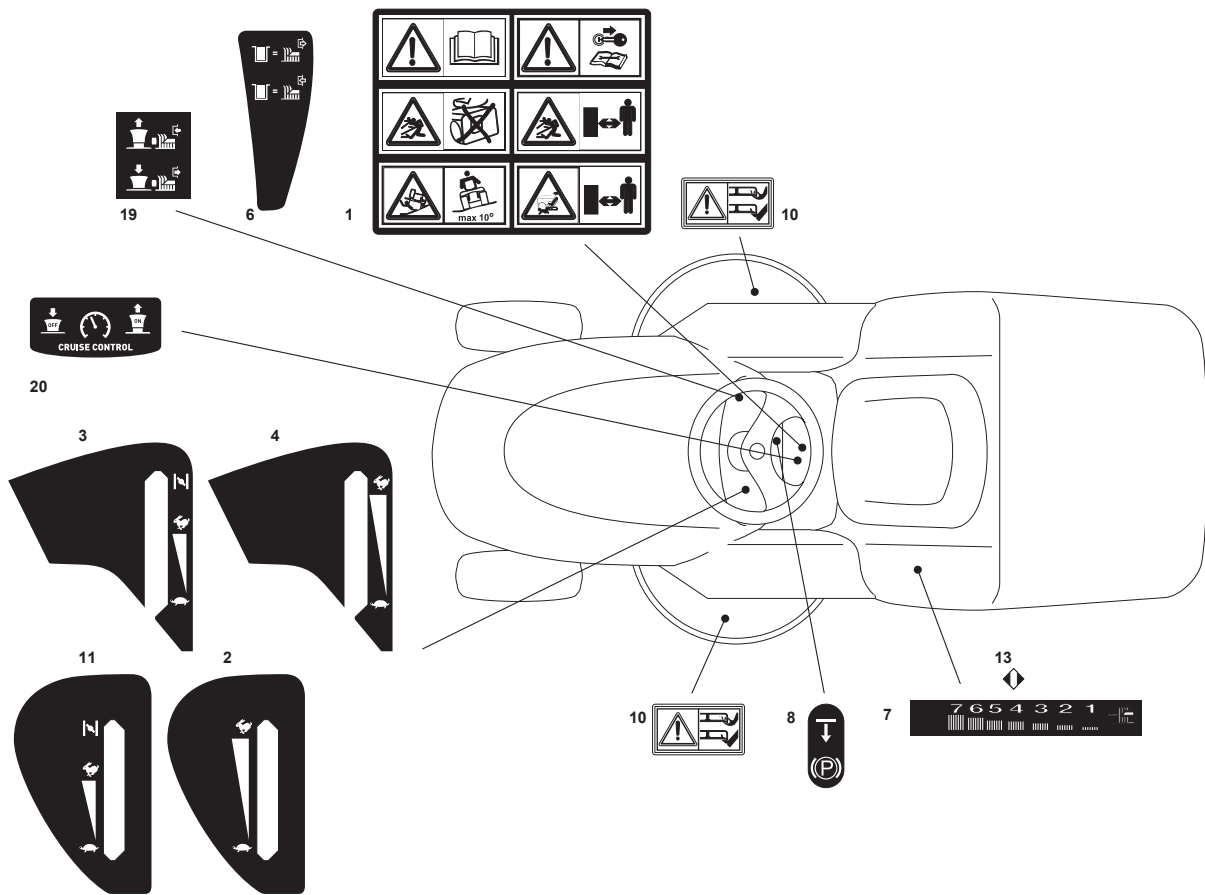
| Fig. | Q.ty | Part No | Description | Notes |
|------|------|--------------|--------------------------------|-------------------------------------|
| 1 | 1 | 125722441/0 | Electronic Card | |
| 2 | 3 | 112735105/0 | Screw | |
| 4 | 1 | 125420005/0 | Check Control (B) | for B&S 20-24Hp and Kawasaki Engine |
| 4 | 1 | 125420007/0 | Check Control (C) | for Honda Engine |
| 4 | 1 | 125420004/0 | Check Control (A) | for B&S and GGP Engine |
| 8 | 1 | 133340036/0 | Fuse 25 A | |
| 8 | 1 | 133340040/0 | Fuse 10 A | |
| 9 | 2 | 133215000/0 | Cover | |
| 10 | 2 | 133500007/0 | Fuse Carrier | |
| 11 | 1 | 182040207/0 | Cables Ass.Y | for Honda Engine |
| 11 | 1 | 182040206/0 | Cables Ass.Y | for B&S-GGP-Kawasaki Engine |
| 12 | 1 | 118450065/1 | Starting Switch | |
| 13 | 1 | 118400861/0 | Screwed Ring | |
| 14 | 1 | 118565351/0 | Screwed Ring Protection | |
| 15 | 1 | 118210016/1 | Starting Key | |
| 16 | 1 | 118120002/1 | Battery | |
| 17 | 1 | 125430230/0 | Spring | |
| 31 | 3 | 119410615/0 | Microswitch | |
| 32 | 1 | 119410605/1 | Microswitch | |
| 36 | 1 | 118450060/1 | Headlight Interrupt. Cre1116-0 | |
| 37 | 1 | 9400-0384-01 | Hour Counter | |
| 38 | 1 | 118450067/0 | Switch | |
| 39 | 1 | 118203852/0 | Cap | |
| 41 | 1 | 182040070/0 | Cables Ass.Y | |
| 42 | 2 | 133500030/0 | Lamp Holder | |
| 43 | 2 | 118459100/0 | Lamp For Lights | |
| 46 | 1 | 133500010/1 | Plate | |
| 47 | 1 | 112735170/0 | Screw | |
| 51 | 5 | 133320506/0 | Fairlead | |
| 52 | 1 | 133320504/0 | Fairlead | |
| 54 | 1 | 118564864/1 | Protection | |
| 55 | 1 | 125290000/0 | Fuel Level Indicator | |



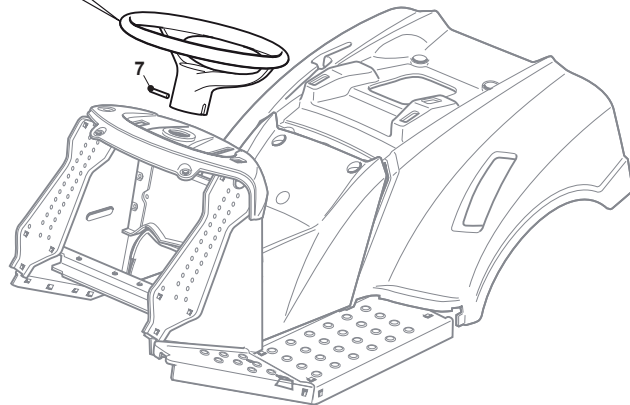
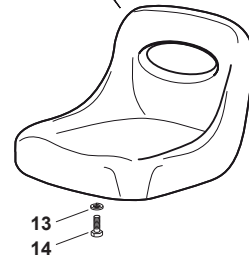
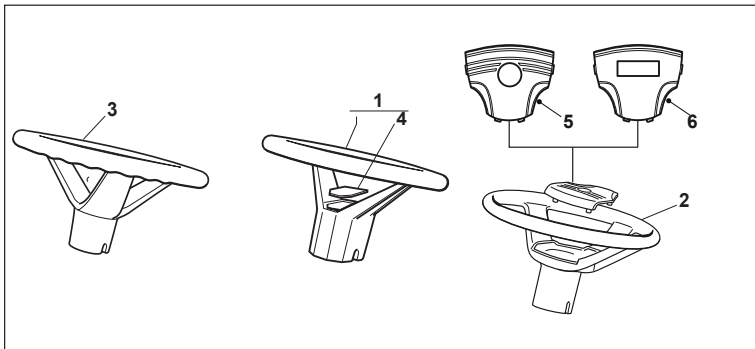
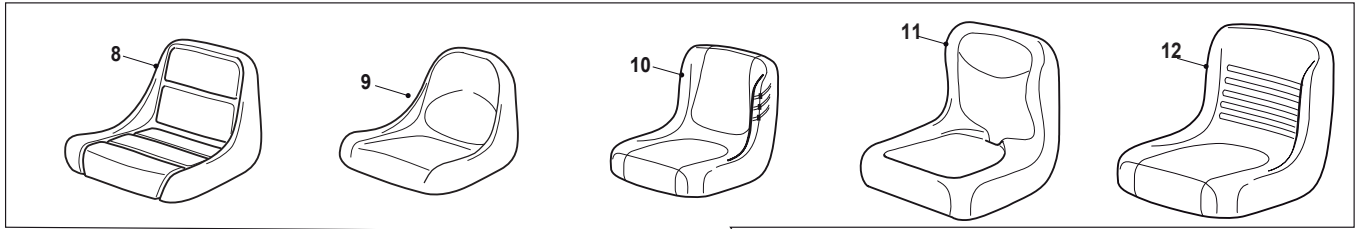
| Fig. | Q.ty | Part No | Description | Notes |
|------|------|-------------|--------------------------------|--|
| 1 | 1 | 382722434/0 | Cards + Guards (C) | |
| 1 | 1 | 382722433/0 | Cards + Guards (D) | |
| 1 | 1 | 382722432/0 | Cards + Guards (B) | |
| 1 | 1 | 382722431/0 | Cards + Guards (A) | |
| 2 | 2 | 112521320/0 | Washer | |
| 3 | 2 | 112154330/0 | Nut | |
| 4 | 1 | 325031501/0 | Deflector | |
| 8 | 1 | 133340040/0 | Fuse 10 A | for Electric and Manual Grassbag Lifting |
| 8 | 1 | 133340036/0 | Fuse 25 A | for Electric and Manual Grassbag Lifting |
| 8 | 1 | 133340035/0 | Fuse 15 A | for Electric Grassbag Lifting |
| 9 | 2 | 133215000/0 | Cover | for Manual Grassbag Lifting |
| 9 | 3 | 133215000/0 | Cover | for Electric Grassbag Lifting |
| 10 | 3 | 133500007/0 | Fuse Carrier | for Electric Grassbag Lifting |
| 10 | 2 | 133500007/0 | Fuse Carrier | for Manual Grassbag Lifting |
| 11 | 1 | 182040208/0 | Cables Ass.Y | for HONDA Engines |
| 11 | 1 | 182040203/0 | Cables Ass.Y | for B&S-GGP-Kohler-Kawasaki Engines |
| 12 | 1 | 118450072/0 | Starting Switch | |
| 13 | 1 | 118550136/0 | Spacer | |
| 14 | 1 | 118550135/0 | Washer | |
| 15 | 1 | 118400862/0 | Ring Nut | |
| 16 | 1 | 118210022/0 | Starting Key | |
| 17 | 1 | 118120002/1 | Battery | |
| 18 | 1 | 125430230/0 | Spring | |
| 31 | 3 | 119410615/0 | Microswitch | |
| 32 | 1 | 119410605/1 | Microswitch | |
| 36 | 1 | 118450060/1 | Headlight Interrupt. Cre1116-0 | |
| 38 | 1 | 118450068/0 | Switch | |
| 41 | 1 | 182040073/0 | Lamp Holder | |
| 42 | 2 | 133500030/0 | Lamp Holder | |
| 43 | 2 | 118459100/0 | Lamp For Lights | |
| 46 | 1 | 133500010/1 | Plate | |
| 52 | 1 | 133320504/0 | Fairlead | |
| 55 | 1 | 125290001/0 | Fuel Level Indicator | |
| 47 | 1 | 112735170/0 | Screw | |
| 51 | 5 | 133320506/0 | Fairlead | |
| 54 | 1 | 118564864/1 | Protection | |



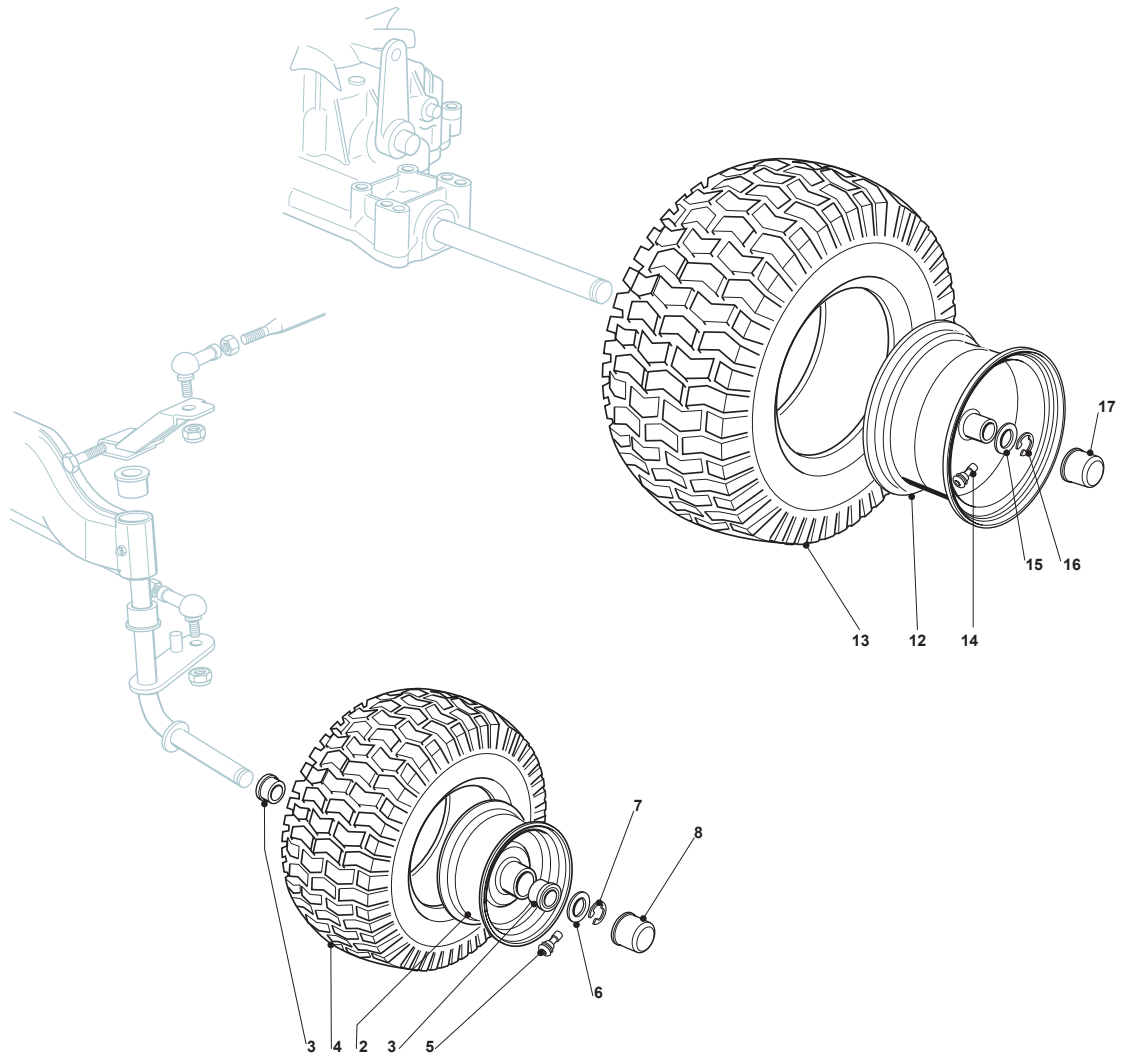
| Fig. | Q.ty | Part No | Description | Notes |
|------|------|-------------|---------------------------------------|----------|
| 2 | 1 | 382400003/1 | Ejection Guard | |
| 3 | 1 | 325869043/0 | Rear Support | |
| 4 | 2 | 118566112/0 | Polyethylene Push Road Ivars D=20inch | |
| 5 | 2 | 112689515/0 | Screw | |
| 6 | 2 | 112154510/0 | Nut | |
| 7 | 2 | 125510022/0 | Pin | |
| 8 | 2 | 124487998/0 | Cotter Pin | |
| 9 | 1 | 124487999/0 | Spring Pin | |
| 22 | 1 | 125519997/1 | Front Weight Tc | |
| 23 | 3 | 112760520/0 | Screw | |
| 24 | 3 | 112155000/0 | Nut | |
| 42 | 1 | 382735502/0 | Bracket | |
| 43 | 1 | 325774213/0 | Bracket | |
| 44 | 1 | 382033105/1 | Rod | |
| 45 | 1 | 125510021/1 | Hitch Pin | |
| 46 | 2 | 124487999/0 | Spring Pin | |
| 51 | 1 | 182180050/0 | Battery Charger | CE Plugg |
| 51 | 1 | 182180052/0 | Battery Charger | UK Plugg |
| 72 | 1 | 125140092/0 | Mulching Deflector | |
| 73 | 1 | 325394005/0 | Handle | |
| 74 | 1 | 125510077/0 | Pin | |
| 75 | 1 | 125430245/0 | Spring | |
| 76 | 1 | 112735405/0 | Screw | |
| 77 | 1 | 325280000/1 | Handgrip | |
| 78 | 1 | 125840011/1 | Tie Rod | |
| 79 | 2 | 125253004/0 | Mulch.Kit Fixing Hook | |



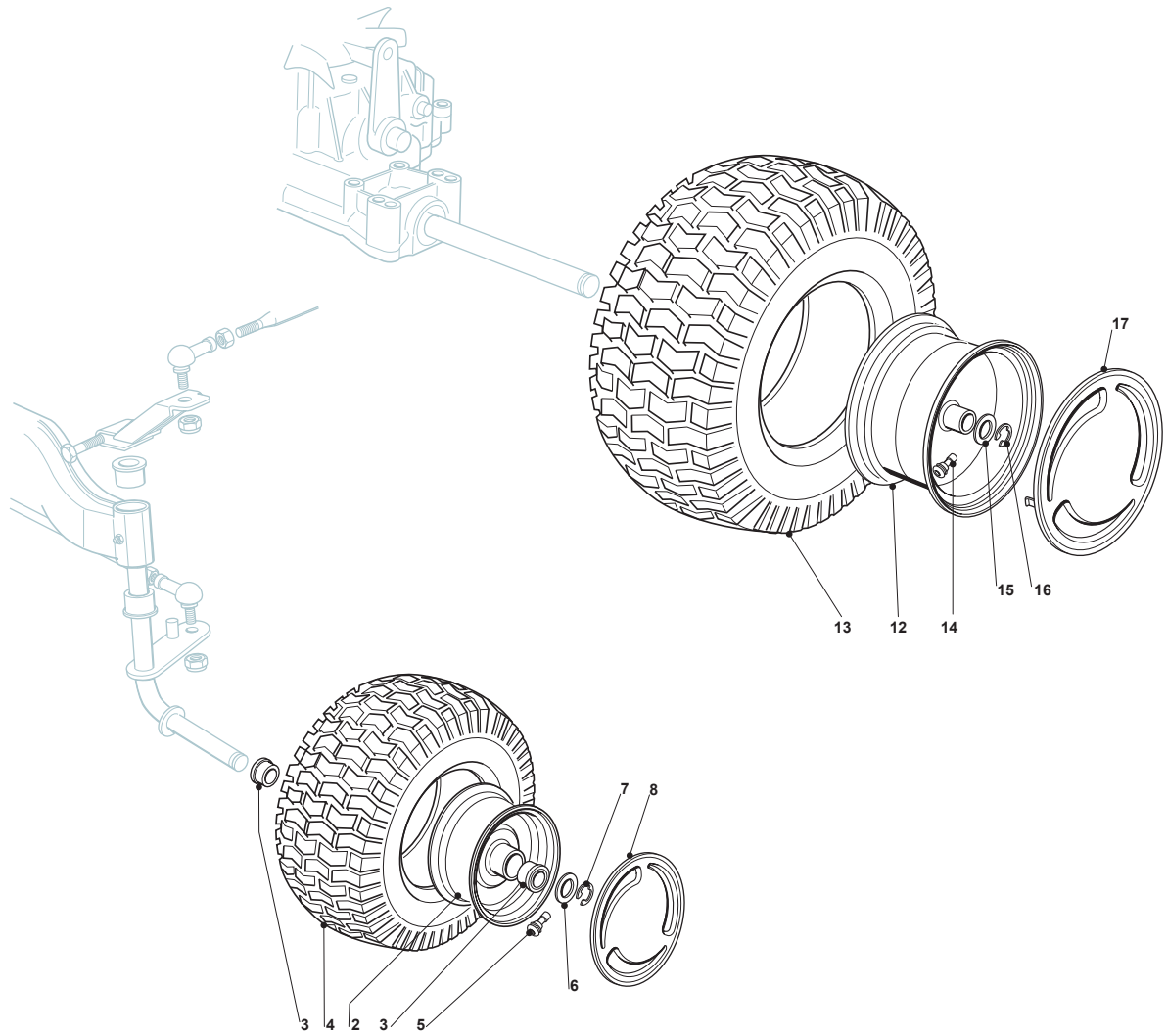
| Fig. | Q.ty | Part No | Description | Notes |
|------|------|-------------|----------------|-------------------------------|
| 1 | 1 | 114357428/1 | Label | |
| 2 | 1 | 114356756/2 | Throttle Label | |
| 3 | 1 | 114356177/2 | Throttle Label | |
| 4 | 1 | 114356184/3 | Throttle Label | |
| 6 | 1 | 114357967/0 | Label | |
| 7 | 1 | 114357905/0 | Label | |
| 8 | 1 | 114357526/1 | Label | |
| 10 | 2 | 114356699/1 | Label | |
| 11 | 1 | 114356754/1 | Throttle Label | |
| 13 | 1 | 114357913/0 | Label | |
| 19 | 1 | 114360912/0 | Label | |
| 20 | 1 | 114365612/0 | Label | for model with Cruise Control |



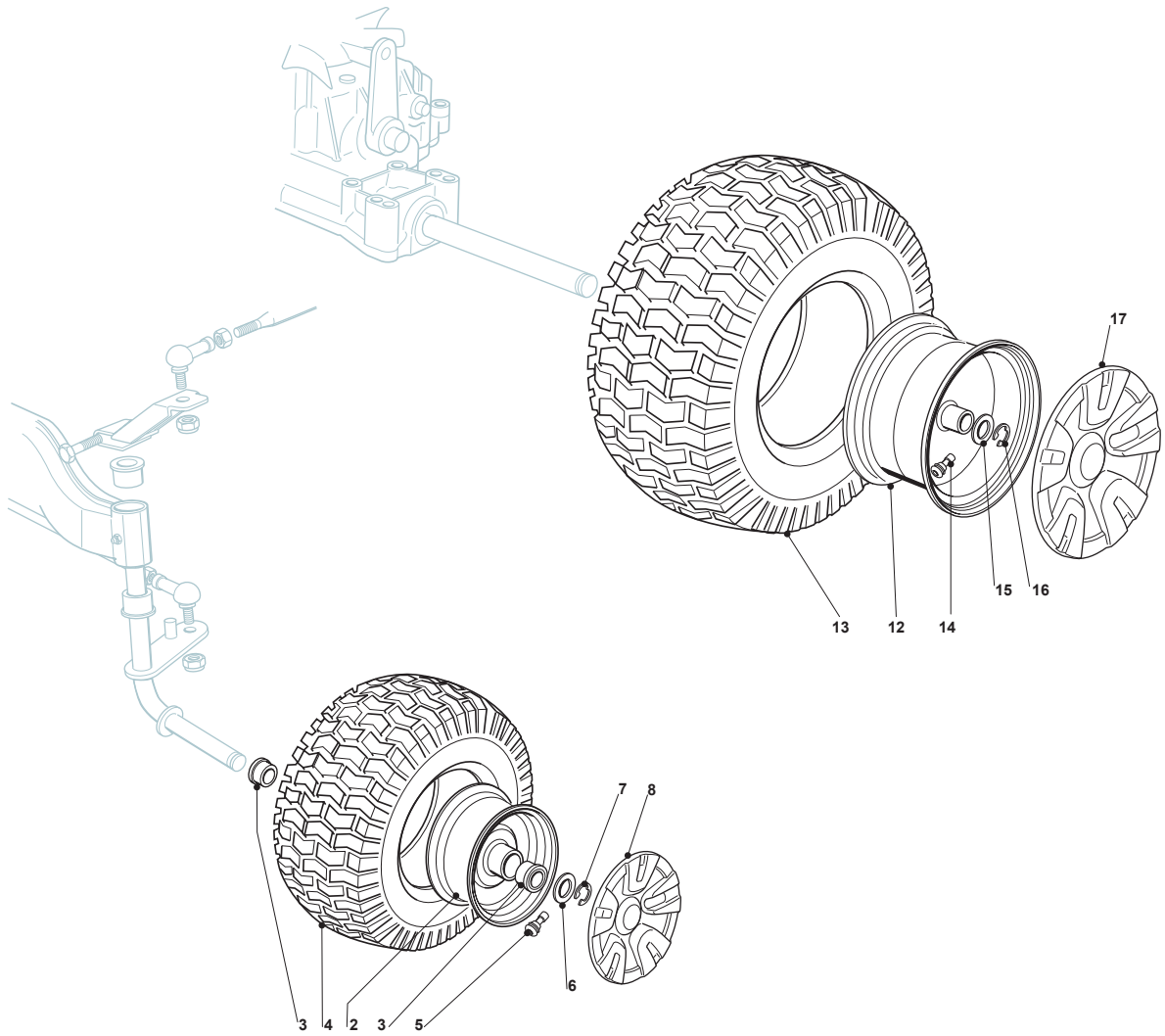
| Fig. | Q.ty | Part No | Description | Notes |
|------|------|-------------|--------------------------------|-------------------------|
| 1 | 1 | 125961213/0 | Steering Wheel | |
| 2 | 1 | 125961214/1 | Steering Wheel | Grey |
| 2 | 1 | 125961217/1 | Coated Steering Wheel Black Tc | Black |
| 2 | 1 | 125961210/1 | Steering Wheel | Black Coated |
| 3 | 1 | 125961206/0 | Steering Wheel | |
| 4 | 1 | 325120231/0 | Cap | |
| 5 | 1 | 325580500/0 | Cap | |
| 6 | 1 | 325580501/0 | Cap | |
| 6 | 1 | 325580505/0 | Cap | Specific for Mountfield |
| 7 | 1 | 112620299/0 | Elastic Pin | |
| 8 | 1 | 125722450/1 | Seat | |
| 9 | 1 | 125722451/2 | Seat | |
| 10 | 1 | 125722459/0 | Seat | |
| 11 | 1 | 125722457/0 | Seat | |
| 12 | 1 | 125722471/0 | Seat | Integral, Black |
| 12 | 1 | 125722467/1 | Seat | Confort, Black |
| 13 | 4 | 112793102/0 | Screw | |
| 14 | 4 | 112583500/0 | Grower | |



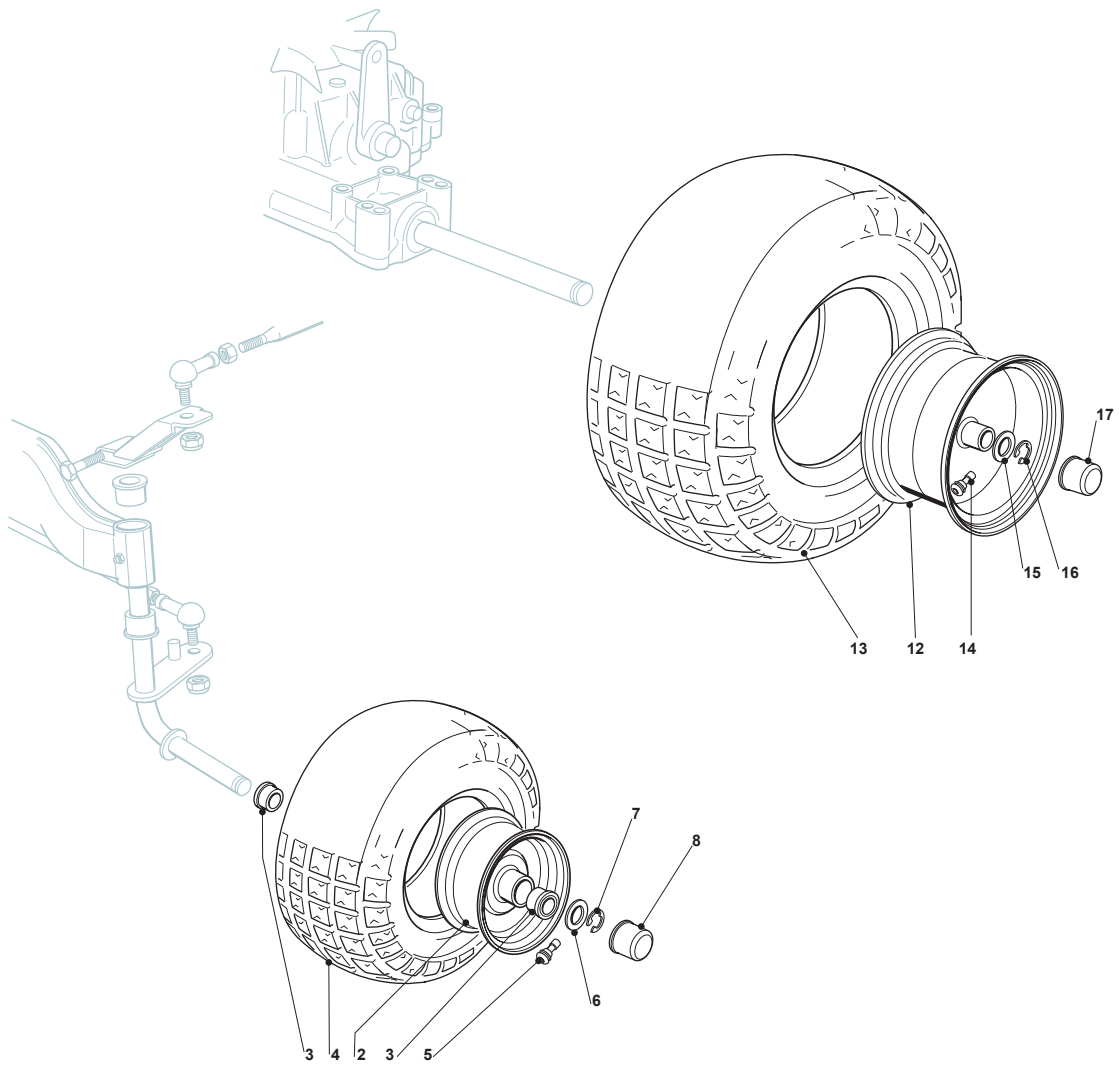
| Fig. | Q.ty | Part No | Description | Notes |
|------|------|-------------|--------------|----------------|
| 2 | 2 | 182000598/0 | Rimm | |
| 3 | 4 | 125122200/2 | Bearing | |
| 4 | 2 | 127590066/0 | Tyre | 15inch |
| 4 | 2 | 125590014/0 | Tyre | 13inch |
| 5 | 2 | 125950000/0 | Valve | |
| 6 | 2 | 125670005/1 | Washer | |
| 7 | 2 | 112001000/0 | Benzing Ring | |
| 8 | 2 | 322110239/0 | Hub Cover | Stiga Style |
| 8 | 2 | 122110230/0 | Hub Cover | standard Black |
| 12 | 2 | 182000599/0 | Rimm | |
| 13 | 2 | 125590015/0 | Tyre | |
| 14 | 2 | 125950000/0 | Valve | |
| 15 | 2 | 125670005/1 | Washer | |
| 16 | 2 | 112001010/0 | Benzing Ring | |
| 17 | 2 | 322110239/0 | Hub Cover | Stiga Style |
| 17 | 2 | 122110230/0 | Hub Cover | standard Black |



| Fig. | Q.ty | Part No | Description | Notes |
|------|------|-------------|-------------------|---------------|
| 2 | 2 | 182000598/0 | Rimm | |
| 3 | 4 | 125122200/2 | Bearing | |
| 4 | 2 | 127590066/0 | Tyre | 15inch |
| 4 | 2 | 125590014/0 | Tyre | 13inch |
| 5 | 2 | 125950000/0 | Valve | |
| 6 | 2 | 125670005/1 | Washer | |
| 7 | 2 | 112001000/0 | Benzing Ring | |
| 8 | 2 | 382110252/0 | Front Wheel Cover | standard Grey |
| 12 | 2 | 182000599/0 | Rimm | |
| 13 | 2 | 125590015/0 | Tyre | |
| 14 | 2 | 125950000/0 | Valve | |
| 15 | 2 | 125670005/1 | Washer | |
| 16 | 2 | 112001010/0 | Benzing Ring | |
| 17 | 2 | 382110253/0 | Wheel Cover | standard Grey |



| Fig. | Q.ty | Part No | Description | Notes |
|------|------|-------------|-----------------|---------------|
| 2 | 2 | 182000598/0 | Rimm | |
| 3 | 4 | 125122200/2 | Bearing | |
| 4 | 2 | 125590014/0 | Tyre | 13inch |
| 4 | 2 | 127590066/0 | Tyre | 15inch |
| 5 | 2 | 125950000/0 | Valve | |
| 6 | 2 | 125670005/1 | Washer | |
| 7 | 2 | 112001000/0 | Benzing Ring | |
| 8 | 2 | 382110274/0 | Wheel Cover | standard Grey |
| 12 | 2 | 182000599/0 | Rimm | |
| 13 | 2 | 125590015/0 | Tyre | |
| 14 | 2 | 125950000/0 | Valve | |
| 15 | 2 | 125670005/1 | Washer | |
| 16 | 2 | 112001010/0 | Benzing Ring | |
| 17 | 2 | 382110275/0 | Rear Wheel Deck | standard Grey |



| Fig. | Q.ty | Part No | Description | Notes |
|------|------|-------------|-----------------|----------------|
| 2 | 2 | 182000590/1 | Rimm | |
| 3 | 4 | 125122200/2 | Bearing | |
| 4 | 2 | 125590020/0 | Tyre | 15inch |
| 5 | 2 | 125950000/0 | Valve | |
| 6 | 2 | 125670005/1 | Washer | |
| 7 | 2 | 112001000/0 | Benzing Ring | |
| 8 | 2 | 322110239/0 | Hub Cover | Stiga Style |
| 8 | 2 | 122110230/0 | Hub Cover | standard Black |
| 12 | 2 | 182000592/0 | Rear Wheel Rimm | |
| 13 | 2 | 125590022/0 | Tyre | |
| 14 | 2 | 125950000/0 | Valve | |
| 15 | 2 | 125670005/1 | Washer | |
| 16 | 2 | 112001010/0 | Benzing Ring | |
| 17 | 2 | 322110239/0 | Hub Cover | Stiga Style |
| 17 | 2 | 122110230/0 | Hub Cover | standard Black |

| code | pos. | q.ty | page | | | | | | | | | |
|--------------|------|------|-------|-------------|-----|---|-------|-------------|----|---|-------|--|
| 1134-5827-01 | 4 | 1 | p. 35 | 112155000/0 | 7 | 1 | p. 23 | 112292102/0 | 26 | 2 | p. 3 | |
| 1134-5827-01 | 6 | 1 | p. 33 | 112155000/0 | 7 | 1 | p. 25 | 112292102/0 | 26 | 2 | p. 7 | |
| 1134-5827-01 | 12 | 1 | p. 31 | 112155000/0 | 7 | 1 | p. 27 | 112292102/0 | 28 | 3 | p. 57 | |
| 9400-0384-01 | 37 | 1 | p. 69 | 112155000/0 | 8 | 1 | p. 51 | 112292102/0 | 63 | 2 | p. 27 | |
| 112000930/0 | 34 | 4 | p. 59 | 112155000/0 | 9 | 1 | p. 23 | 112292102/0 | 63 | 2 | p. 31 | |
| 112000955/0 | 47 | 2 | p. 65 | 112155000/0 | 9 | 1 | p. 25 | 112292102/0 | 63 | 2 | p. 33 | |
| 112000955/0 | 53 | 2 | p. 65 | 112155000/0 | 9 | 1 | p. 27 | 112292102/0 | 63 | 2 | p. 35 | |
| 112000956/0 | 63 | 2 | p. 65 | 112155000/0 | 12 | 1 | p. 51 | 112292102/0 | 63 | 2 | p. 37 | |
| 112001000/0 | 7 | 2 | p. 79 | 112155000/0 | 20 | 2 | p. 51 | 112292102/0 | 63 | 2 | p. 43 | |
| 112001000/0 | 7 | 2 | p. 81 | 112155000/0 | 23 | 3 | p. 15 | 112292102/0 | 63 | 2 | p. 45 | |
| 112001000/0 | 7 | 2 | p. 83 | 112155000/0 | 23 | 3 | p. 19 | 112292102/0 | 64 | 4 | p. 3 | |
| 112001000/0 | 7 | 2 | p. 85 | 112155000/0 | 24 | 3 | p. 73 | 112292102/0 | 64 | 4 | p. 7 | |
| 112001000/0 | 46 | 1 | p. 15 | 112155000/0 | 27 | 2 | p. 51 | 112292102/0 | 82 | 2 | p. 29 | |
| 112001000/0 | 46 | 1 | p. 19 | 112155000/0 | 28 | 1 | p. 23 | 112293200/0 | 14 | 2 | p. 51 | |
| 112001010/0 | 16 | 2 | p. 79 | 112155000/0 | 28 | 1 | p. 25 | 112293200/0 | 20 | 1 | p. 57 | |
| 112001010/0 | 16 | 2 | p. 81 | 112155000/0 | 28 | 1 | p. 27 | 112293200/0 | 36 | 1 | p. 3 | |
| 112001010/0 | 16 | 2 | p. 83 | 112155000/0 | 37 | 2 | p. 53 | 112293200/0 | 36 | 1 | p. 7 | |
| 112001010/0 | 16 | 2 | p. 85 | 112155000/0 | 44 | 1 | p. 57 | 112293200/0 | 66 | 2 | p. 53 | |
| 112139100/0 | 19 | 2 | p. 59 | 112155000/0 | 44 | 2 | p. 53 | 112293201/0 | 3 | 4 | p. 57 | |
| 112139480/0 | 22 | 3 | p. 57 | 112155000/0 | 45 | 1 | p. 15 | 112293201/0 | 4 | 2 | p. 11 | |
| 112154210/0 | 5 | 1 | p. 43 | 112155000/0 | 45 | 1 | p. 19 | 112293201/0 | 5 | 6 | p. 63 | |
| 112154210/0 | 8 | 4 | p. 39 | 112155000/0 | 47 | 2 | p. 53 | 112293201/0 | 5 | 6 | p. 65 | |
| 112154210/0 | 9 | 1 | p. 31 | 112155000/0 | 48 | 1 | p. 51 | 112293201/0 | 8 | 4 | p. 3 | |
| 112154210/0 | 9 | 3 | p. 45 | 112155000/0 | 56 | 1 | p. 51 | 112293201/0 | 8 | 4 | p. 7 | |
| 112154210/0 | 9 | 4 | p. 41 | 112155000/0 | 69 | 1 | p. 27 | 112293201/0 | 13 | 1 | p. 41 | |
| 112154210/0 | 10 | 1 | p. 33 | 112155000/0 | 104 | 2 | p. 5 | 112293201/0 | 14 | 4 | p. 45 | |
| 112154210/0 | 10 | 1 | p. 35 | 112155000/0 | 104 | 2 | p. 9 | 112293201/0 | 16 | 4 | p. 41 | |
| 112154210/0 | 11 | 3 | p. 33 | 112155000/0 | 105 | 2 | p. 5 | 112293201/0 | 18 | 4 | p. 57 | |
| 112154210/0 | 12 | 3 | p. 35 | 112155000/0 | 105 | 2 | p. 9 | 112293201/0 | 19 | 2 | p. 53 | |
| 112154210/0 | 15 | 1 | p. 45 | 112155010/0 | 84 | 2 | p. 5 | 112293201/0 | 38 | 2 | p. 3 | |
| 112154210/0 | 17 | 6 | p. 59 | 112155010/0 | 84 | 2 | p. 9 | 112293201/0 | 38 | 2 | p. 7 | |
| 112154210/0 | 24 | 3 | p. 31 | 112156602/0 | 30 | 1 | p. 15 | 112293201/0 | 51 | 1 | p. 51 | |
| 112154210/0 | 44 | 4 | p. 51 | 112156602/0 | 30 | 1 | p. 19 | 112293201/0 | 60 | 2 | p. 23 | |
| 112154330/0 | 3 | 2 | p. 71 | 112156602/0 | 34 | 4 | p. 15 | 112293201/0 | 60 | 2 | p. 25 | |
| 112154330/0 | 51 | 1 | p. 65 | 112156602/0 | 34 | 4 | p. 19 | 112293201/0 | 65 | 4 | p. 65 | |
| 112154330/0 | 78 | 2 | p. 29 | 112156602/0 | 40 | 2 | p. 53 | 112293201/0 | 68 | 1 | p. 21 | |
| 112154330/0 | 92 | 1 | p. 5 | 112156602/0 | 42 | 2 | p. 15 | 112293201/0 | 74 | 2 | p. 3 | |
| 112154330/0 | 92 | 1 | p. 9 | 112156602/0 | 42 | 2 | p. 19 | 112293201/0 | 74 | 2 | p. 7 | |
| 112154330/0 | 96 | 2 | p. 5 | 112156602/0 | 42 | 2 | p. 53 | 112293201/0 | 79 | 2 | p. 3 | |
| 112154330/0 | 96 | 2 | p. 9 | 112156602/0 | 58 | 2 | p. 53 | 112293201/0 | 79 | 2 | p. 7 | |
| 112154510/0 | 6 | 2 | p. 73 | 112280100/0 | 12 | 2 | p. 47 | 112295200/0 | 4 | 2 | p. 3 | |
| 112154510/0 | 13 | 2 | p. 27 | 112280100/0 | 12 | 2 | p. 49 | 112295200/0 | 4 | 2 | p. 7 | |
| 112154510/0 | 13 | 4 | p. 3 | 112290791/0 | 65 | 2 | p. 23 | 112295200/0 | 39 | 4 | p. 53 | |
| 112154510/0 | 13 | 4 | p. 7 | 112290800/0 | 28 | 1 | p. 47 | 112295200/0 | 60 | 2 | p. 53 | |
| 112154510/0 | 18 | 4 | p. 15 | 112290800/0 | 28 | 1 | p. 49 | 112295800/0 | 51 | 1 | p. 15 | |
| 112154510/0 | 18 | 4 | p. 19 | 112290800/0 | 46 | 1 | p. 31 | 112295800/0 | 51 | 1 | p. 19 | |
| 112154510/0 | 24 | 2 | p. 23 | 112290800/0 | 46 | 1 | p. 33 | 112360352/0 | 64 | 2 | p. 31 | |
| 112154510/0 | 24 | 2 | p. 25 | 112290800/0 | 46 | 1 | p. 35 | 112360352/0 | 64 | 2 | p. 33 | |
| 112154510/0 | 24 | 2 | p. 27 | 112290800/0 | 46 | 1 | p. 37 | 112360352/0 | 64 | 2 | p. 35 | |
| 112154510/0 | 44 | 1 | p. 3 | 112290800/0 | 46 | 1 | p. 39 | 112360352/0 | 64 | 2 | p. 37 | |
| 112154510/0 | 44 | 1 | p. 7 | 112290800/0 | 46 | 1 | p. 41 | 112360352/0 | 64 | 2 | p. 43 | |
| 112154510/0 | 44 | 4 | p. 65 | 112290800/0 | 46 | 1 | p. 43 | 112360352/0 | 64 | 2 | p. 45 | |
| 112154510/0 | 48 | 4 | p. 23 | 112290800/0 | 46 | 1 | p. 45 | 112360420/0 | 21 | 2 | p. 3 | |
| 112154510/0 | 48 | 4 | p. 25 | 112290800/0 | 75 | 1 | p. 29 | 112360420/0 | 21 | 2 | p. 7 | |
| 112154510/0 | 48 | 4 | p. 27 | 112292100/0 | 66 | 2 | p. 39 | 112360425/0 | 8 | 3 | p. 47 | |
| 112154510/0 | 52 | 1 | p. 23 | 112292100/0 | 66 | 2 | p. 41 | 112360425/0 | 8 | 3 | p. 49 | |
| 112154510/0 | 52 | 1 | p. 25 | 112292100/0 | 81 | 4 | p. 63 | 112360425/0 | 17 | 2 | p. 31 | |
| 112154510/0 | 52 | 1 | p. 27 | 112292100/0 | 81 | 4 | p. 65 | 112360425/0 | 17 | 2 | p. 37 | |
| 112154510/0 | 55 | 1 | p. 23 | 112292102/0 | 14 | 1 | p. 63 | 112360425/0 | 34 | 2 | p. 33 | |
| 112154510/0 | 55 | 1 | p. 25 | 112292102/0 | 14 | 1 | p. 65 | 112360425/0 | 34 | 2 | p. 35 | |
| 112154510/0 | 55 | 1 | p. 27 | 112292102/0 | 16 | 5 | p. 3 | 112360425/0 | 34 | 2 | p. 39 | |
| 112154510/0 | 55 | 1 | p. 27 | 112292102/0 | 16 | 5 | p. 7 | 112360425/0 | 34 | 2 | p. 43 | |
| 112154510/0 | 79 | 4 | p. 55 | 112292102/0 | 19 | 6 | p. 3 | 112360425/0 | 34 | 2 | p. 45 | |
| 112154510/0 | 85 | 1 | p. 63 | 112292102/0 | 19 | 6 | p. 7 | 112360425/0 | 35 | 2 | p. 41 | |
| 112154510/0 | 85 | 1 | p. 67 | 112292102/0 | 24 | 4 | p. 3 | 112369500/0 | 54 | 1 | p. 51 | |
| | | | | 112292102/0 | 24 | 4 | p. 7 | 112379511/0 | 37 | 2 | p. 15 | |

| code | pos. | q.ty | page | | | | | | | | | |
|-------------|------|------|-------|-------------|----|---|-------|-------------|----|---|-------|--|
| 112379511/0 | 37 | 2 | p. 19 | 112523040/0 | 47 | 4 | p. 27 | 112583500/0 | 15 | 2 | p. 47 | |
| 112400030/0 | 24 | 1 | p. 63 | 112523040/0 | 51 | 1 | p. 23 | 112583500/0 | 15 | 2 | p. 49 | |
| 112400030/0 | 24 | 1 | p. 65 | 112523040/0 | 51 | 1 | p. 25 | 112583500/0 | 16 | 4 | p. 35 | |
| 112436030/0 | 7 | 1 | p. 15 | 112523040/0 | 51 | 1 | p. 27 | 112583500/0 | 20 | 2 | p. 31 | |
| 112436030/0 | 7 | 1 | p. 19 | 112523040/0 | 54 | 1 | p. 23 | 112583500/0 | 20 | 2 | p. 37 | |
| 112436050/0 | 55 | 5 | p. 53 | 112523040/0 | 54 | 1 | p. 25 | 112583500/0 | 25 | 1 | p. 57 | |
| 112437502/0 | 99 | 2 | p. 5 | 112523040/0 | 54 | 1 | p. 27 | 112583500/0 | 34 | 1 | p. 57 | |
| 112437502/0 | 99 | 2 | p. 9 | 112523040/0 | 78 | 4 | p. 55 | 112583500/0 | 37 | 2 | p. 33 | |
| 112500030/0 | 3 | 2 | p. 61 | 112523060/0 | 4 | 6 | p. 63 | 112583500/0 | 37 | 2 | p. 35 | |
| 112500030/0 | 4 | 2 | p. 59 | 112523060/0 | 4 | 6 | p. 65 | 112583500/0 | 37 | 2 | p. 39 | |
| 112500092/0 | 54 | 2 | p. 31 | 112523060/0 | 11 | 1 | p. 51 | 112583500/0 | 37 | 2 | p. 43 | |
| 112500092/0 | 54 | 2 | p. 33 | 112523060/0 | 13 | 1 | p. 15 | 112583500/0 | 37 | 2 | p. 45 | |
| 112500092/0 | 54 | 2 | p. 35 | 112523060/0 | 13 | 1 | p. 19 | 112583500/0 | 38 | 2 | p. 41 | |
| 112500092/0 | 54 | 2 | p. 37 | 112523060/0 | 19 | 1 | p. 51 | 112583500/0 | 47 | 1 | p. 57 | |
| 112500092/0 | 54 | 2 | p. 39 | 112523060/0 | 22 | 3 | p. 15 | 112585100/0 | 3 | 2 | p. 3 | |
| 112500092/0 | 54 | 2 | p. 41 | 112523060/0 | 22 | 3 | p. 19 | 112585100/0 | 3 | 2 | p. 7 | |
| 112500092/0 | 54 | 2 | p. 43 | 112523060/0 | 26 | 2 | p. 51 | 112587900/0 | 50 | 1 | p. 15 | |
| 112500092/0 | 54 | 2 | p. 45 | 112523060/0 | 43 | 1 | p. 57 | 112587900/0 | 50 | 1 | p. 19 | |
| 112521320/0 | 2 | 2 | p. 71 | 112523060/0 | 50 | 1 | p. 57 | 112604896/0 | 41 | 6 | p. 3 | |
| 112521320/0 | 95 | 4 | p. 5 | 112523060/0 | 50 | 1 | p. 57 | 112604896/0 | 41 | 6 | p. 7 | |
| 112521320/0 | 95 | 4 | p. 9 | 112523060/0 | 67 | 1 | p. 27 | 112604896/0 | 58 | 1 | p. 51 | |
| 112521330/0 | 30 | 2 | p. 11 | 112523070/0 | 46 | 1 | p. 57 | 112604897/0 | 89 | 2 | p. 5 | |
| 112521330/0 | 63 | 2 | p. 3 | 112523070/0 | 75 | 2 | p. 3 | 112604897/0 | 89 | 2 | p. 9 | |
| 112521330/0 | 63 | 2 | p. 7 | 112523070/0 | 75 | 2 | p. 7 | 112604897/0 | 89 | 2 | p. 9 | |
| 112521330/0 | 63 | 2 | p. 39 | 112523080/0 | 23 | 2 | p. 59 | 112604899/0 | 9 | 1 | p. 53 | |
| 112521330/0 | 63 | 2 | p. 41 | 112523080/0 | 27 | 1 | p. 15 | 112609200/0 | 8 | 2 | p. 57 | |
| 112521330/0 | 64 | 2 | p. 39 | 112523080/0 | 27 | 1 | p. 19 | 112609255/0 | 49 | 2 | p. 53 | |
| 112521330/0 | 64 | 2 | p. 41 | 112523080/0 | 29 | 1 | p. 15 | 112609260/0 | 15 | 2 | p. 59 | |
| 112521331/0 | 86 | 6 | p. 11 | 112523080/0 | 29 | 1 | p. 19 | 112610800/0 | 7 | 2 | p. 57 | |
| 112521350/0 | 6 | 1 | p. 23 | 112523090/0 | 62 | 2 | p. 53 | 112620206/0 | 16 | 2 | p. 53 | |
| 112521350/0 | 6 | 1 | p. 25 | 112540070/0 | 16 | 4 | p. 47 | 112620250/0 | 10 | 1 | p. 15 | |
| 112521350/0 | 6 | 1 | p. 27 | 112540070/0 | 16 | 4 | p. 49 | 112620250/0 | 10 | 1 | p. 19 | |
| 112521350/0 | 11 | 2 | p. 57 | 112540260/0 | 6 | 1 | p. 39 | 112620299/0 | 7 | 1 | p. 77 | |
| 112521350/0 | 12 | 2 | p. 41 | 112540260/0 | 7 | 1 | p. 43 | 112674701/0 | 83 | 2 | p. 11 | |
| 112521350/0 | 17 | 4 | p. 57 | 112540260/0 | 8 | 1 | p. 31 | 112689515/0 | 5 | 2 | p. 73 | |
| 112521350/0 | 19 | 1 | p. 47 | 112540260/0 | 9 | 1 | p. 33 | 112691100/0 | 6 | 1 | p. 3 | |
| 112521350/0 | 19 | 1 | p. 49 | 112540260/0 | 9 | 1 | p. 35 | 112691100/0 | 6 | 1 | p. 7 | |
| 112521350/0 | 36 | 4 | p. 53 | 112540260/0 | 10 | 2 | p. 47 | 112691100/0 | 8 | 3 | p. 33 | |
| 112521350/0 | 46 | 2 | p. 53 | 112540260/0 | 10 | 2 | p. 49 | 112691100/0 | 8 | 3 | p. 45 | |
| 112521350/0 | 47 | 2 | p. 51 | 112540260/0 | 11 | 1 | p. 45 | 112691100/0 | 11 | 3 | p. 35 | |
| 112521350/0 | 54 | 2 | p. 53 | 112540260/0 | 15 | 2 | p. 31 | 112691100/0 | 21 | 3 | p. 15 | |
| 112521360/0 | 8 | 2 | p. 23 | 112540260/0 | 15 | 2 | p. 37 | 112691100/0 | 21 | 3 | p. 19 | |
| 112521360/0 | 8 | 2 | p. 25 | 112540260/0 | 17 | 1 | p. 41 | 112691100/0 | 25 | 3 | p. 31 | |
| 112521360/0 | 8 | 2 | p. 27 | 112540260/0 | 21 | 3 | p. 47 | 112691100/0 | 66 | 1 | p. 27 | |
| 112521360/0 | 53 | 1 | p. 23 | 112540260/0 | 21 | 3 | p. 49 | 112691115/0 | 6 | 1 | p. 43 | |
| 112521360/0 | 53 | 1 | p. 25 | 112540260/0 | 33 | 2 | p. 33 | 112691115/0 | 7 | 1 | p. 31 | |
| 112521360/0 | 53 | 1 | p. 27 | 112540260/0 | 33 | 2 | p. 35 | 112691115/0 | 7 | 4 | p. 39 | |
| 112521370/0 | 6 | 1 | p. 15 | 112540260/0 | 33 | 2 | p. 39 | 112691115/0 | 8 | 1 | p. 35 | |
| 112521370/0 | 6 | 1 | p. 19 | 112540260/0 | 33 | 2 | p. 41 | 112691115/0 | 10 | 1 | p. 45 | |
| 112521390/0 | 28 | 1 | p. 15 | 112540260/0 | 33 | 2 | p. 43 | 112691115/0 | 11 | 1 | p. 41 | |
| 112521390/0 | 28 | 1 | p. 19 | 112540260/0 | 33 | 2 | p. 45 | 112691115/0 | 15 | 1 | p. 33 | |
| 112521390/0 | 49 | 2 | p. 15 | 112543000/0 | 3 | 1 | p. 51 | 112691115/0 | 24 | 1 | p. 51 | |
| 112521390/0 | 49 | 2 | p. 19 | 112581100/0 | 64 | 2 | p. 23 | 112691200/0 | 16 | 3 | p. 57 | |
| 112523020/0 | 38 | 1 | p. 23 | 112582100/0 | 18 | 3 | p. 35 | 112691200/0 | 46 | 1 | p. 51 | |
| 112523040/0 | 12 | 2 | p. 27 | 112582100/0 | 65 | 2 | p. 39 | 112691200/0 | 67 | 1 | p. 21 | |
| 112523040/0 | 12 | 4 | p. 3 | 112582100/0 | 65 | 2 | p. 41 | 112691400/0 | 25 | 1 | p. 51 | |
| 112523040/0 | 12 | 4 | p. 7 | 112582101/0 | 80 | 4 | p. 63 | 112691700/0 | 15 | 1 | p. 57 | |
| 112523040/0 | 23 | 1 | p. 23 | 112582101/0 | 80 | 4 | p. 65 | 112691700/0 | 35 | 2 | p. 53 | |
| 112523040/0 | 23 | 1 | p. 25 | 112582101/0 | 85 | 2 | p. 11 | 112691700/0 | 44 | 1 | p. 15 | |
| 112523040/0 | 23 | 1 | p. 27 | 112583500/0 | 5 | 2 | p. 31 | 112691800/0 | 11 | 1 | p. 15 | |
| 112523040/0 | 32 | 1 | p. 25 | 112583500/0 | 5 | 2 | p. 37 | 112691800/0 | 11 | 1 | p. 19 | |
| 112523040/0 | 32 | 1 | p. 27 | 112583500/0 | 12 | 1 | p. 15 | 112691800/0 | 42 | 4 | p. 51 | |
| 112523040/0 | 47 | 4 | p. 23 | 112583500/0 | 12 | 1 | p. 19 | 112692000/0 | 6 | 1 | p. 51 | |
| 112523040/0 | 47 | 4 | p. 25 | 112583500/0 | 12 | 2 | p. 57 | 112692395/0 | 26 | 1 | p. 15 | |
| | | | | 112583500/0 | 13 | 2 | p. 33 | 112692395/0 | 26 | 1 | p. 19 | |
| | | | | 112583500/0 | 13 | 2 | p. 43 | 112692395/0 | 44 | 1 | p. 19 | |
| | | | | 112583500/0 | 14 | 4 | p. 77 | 112694100/0 | 48 | 1 | p. 15 | |

| code | pos. | q.ty | page | | | | | | | | | |
|-------------|------|------|-------|-------------|----|---|-------|-------------|----|---|-------|--|
| 112694100/0 | 48 | 1 | p. 19 | 112735599/0 | 5 | 1 | p. 39 | 112793102/0 | 7 | 3 | p. 3 | |
| 112714300/0 | 4 | 1 | p. 15 | 112735599/0 | 8 | 1 | p. 37 | 112793102/0 | 7 | 3 | p. 7 | |
| 112714300/0 | 4 | 1 | p. 19 | 112735602/0 | 63 | 2 | p. 23 | 112793102/0 | 9 | 3 | p. 47 | |
| 112726388/0 | 27 | 1 | p. 47 | 112735661/0 | 43 | 1 | p. 3 | 112793102/0 | 9 | 3 | p. 49 | |
| 112726388/0 | 27 | 1 | p. 49 | 112735661/0 | 43 | 1 | p. 7 | 112793102/0 | 10 | 2 | p. 57 | |
| 112726388/0 | 45 | 1 | p. 31 | 112735694/0 | 24 | 1 | p. 59 | 112793102/0 | 13 | 4 | p. 77 | |
| 112726388/0 | 45 | 1 | p. 33 | 112735695/1 | 25 | 1 | p. 59 | 112793102/0 | 14 | 2 | p. 31 | |
| 112726388/0 | 45 | 1 | p. 35 | 112735821/0 | 17 | 4 | p. 47 | 112793102/0 | 14 | 2 | p. 37 | |
| 112726388/0 | 45 | 1 | p. 37 | 112735821/0 | 17 | 4 | p. 49 | 112793102/0 | 22 | 3 | p. 47 | |
| 112726388/0 | 45 | 1 | p. 39 | 112737320/0 | 2 | 1 | p. 51 | 112793102/0 | 22 | 3 | p. 49 | |
| 112726388/0 | 45 | 1 | p. 41 | 112737450/0 | 6 | 2 | p. 37 | 112793102/0 | 23 | 1 | p. 57 | |
| 112726388/0 | 45 | 1 | p. 43 | 112760520/0 | 23 | 3 | p. 73 | 112793102/0 | 32 | 1 | p. 57 | |
| 112726388/0 | 45 | 1 | p. 45 | 112788910/0 | 53 | 2 | p. 31 | 112793102/0 | 32 | 2 | p. 33 | |
| 112726389/0 | 74 | 1 | p. 29 | 112788910/0 | 53 | 2 | p. 33 | 112793102/0 | 32 | 2 | p. 35 | |
| 112727795/0 | 50 | 1 | p. 65 | 112788910/0 | 53 | 2 | p. 35 | 112793102/0 | 32 | 2 | p. 39 | |
| 112727815/0 | 35 | 1 | p. 25 | 112788910/0 | 53 | 2 | p. 37 | 112793102/0 | 32 | 2 | p. 41 | |
| 112727815/0 | 35 | 1 | p. 27 | 112788910/0 | 53 | 2 | p. 39 | 112793102/0 | 32 | 2 | p. 43 | |
| 112728440/0 | 17 | 4 | p. 11 | 112788910/0 | 53 | 2 | p. 41 | 112793102/0 | 32 | 2 | p. 45 | |
| 112728440/0 | 20 | 2 | p. 11 | 112788910/0 | 53 | 2 | p. 43 | 112793102/0 | 37 | 2 | p. 3 | |
| 112728450/0 | 28 | 2 | p. 63 | 112788910/0 | 53 | 2 | p. 45 | 112793102/0 | 37 | 2 | p. 7 | |
| 112728450/0 | 28 | 2 | p. 65 | 112789000/0 | 91 | 1 | p. 5 | 112793102/0 | 45 | 1 | p. 57 | |
| 112728510/0 | 25 | 1 | p. 63 | 112789000/0 | 91 | 1 | p. 9 | 112793102/0 | 53 | 1 | p. 51 | |
| 112728510/0 | 25 | 1 | p. 65 | 112789100/0 | 77 | 1 | p. 29 | 112793102/0 | 59 | 2 | p. 23 | |
| 112728686/0 | 9 | 3 | p. 11 | 112791011/0 | 15 | 5 | p. 3 | 112793102/0 | 59 | 2 | p. 25 | |
| 112729601/1 | 9 | 2 | p. 15 | 112791011/0 | 15 | 5 | p. 7 | 112793900/0 | 19 | 1 | p. 57 | |
| 112729601/1 | 9 | 2 | p. 19 | 112791011/0 | 18 | 6 | p. 3 | 112794985/0 | 59 | 2 | p. 53 | |
| 112729601/1 | 79 | 4 | p. 63 | 112791011/0 | 18 | 6 | p. 7 | 112815050/0 | 94 | 2 | p. 5 | |
| 112729601/1 | 79 | 4 | p. 65 | 112791011/0 | 23 | 4 | p. 3 | 112815050/0 | 94 | 2 | p. 9 | |
| 112729601/1 | 84 | 4 | p. 11 | 112791011/0 | 23 | 4 | p. 7 | 112815200/0 | 27 | 3 | p. 57 | |
| 112731350/0 | 29 | 2 | p. 11 | 112791011/0 | 62 | 2 | p. 31 | 112815210/0 | 11 | 2 | p. 27 | |
| 112731350/0 | 65 | 2 | p. 3 | 112791011/0 | 62 | 2 | p. 33 | 112815210/0 | 22 | 2 | p. 23 | |
| 112731350/0 | 65 | 2 | p. 7 | 112791011/0 | 62 | 2 | p. 35 | 112815210/0 | 22 | 2 | p. 25 | |
| 112731580/0 | 35 | 1 | p. 3 | 112791011/0 | 62 | 2 | p. 37 | 112815210/0 | 22 | 2 | p. 27 | |
| 112731580/0 | 35 | 1 | p. 7 | 112791011/0 | 62 | 2 | p. 43 | 112815210/0 | 43 | 4 | p. 65 | |
| 112731580/0 | 82 | 1 | p. 3 | 112791011/0 | 62 | 2 | p. 45 | 112815210/0 | 62 | 2 | p. 27 | |
| 112731580/0 | 82 | 1 | p. 7 | 112791213/1 | 17 | 4 | p. 15 | 112815245/0 | 11 | 4 | p. 3 | |
| 112731580/0 | 106 | 4 | p. 13 | 112791213/1 | 17 | 4 | p. 19 | 112815245/0 | 11 | 4 | p. 7 | |
| 112731601/0 | 4 | 4 | p. 23 | 112791400/0 | 17 | 3 | p. 35 | 112815271/0 | 46 | 4 | p. 23 | |
| 112731601/0 | 4 | 4 | p. 25 | 112791400/0 | 81 | 2 | p. 29 | 112815271/0 | 46 | 4 | p. 25 | |
| 112731601/0 | 4 | 4 | p. 27 | 112791500/0 | 62 | 2 | p. 39 | 112815271/0 | 46 | 4 | p. 27 | |
| 112734995/0 | 103 | 4 | p. 13 | 112791500/0 | 62 | 2 | p. 41 | 112815271/0 | 74 | 4 | p. 55 | |
| 112735105/0 | 2 | 3 | p. 69 | 112792099/0 | 78 | 4 | p. 63 | 112818690/0 | 64 | 4 | p. 65 | |
| 112735108/0 | 8 | 3 | p. 45 | 112792099/0 | 78 | 4 | p. 65 | 112818700/0 | 16 | 6 | p. 59 | |
| 112735108/1 | 4 | 3 | p. 43 | 112792099/0 | 84 | 1 | p. 63 | 112818900/0 | 42 | 1 | p. 57 | |
| 112735108/1 | 7 | 4 | p. 37 | 112792099/0 | 84 | 1 | p. 67 | 114356177/2 | 3 | 1 | p. 75 | |
| 112735110/0 | 14 | 2 | p. 11 | 112792611/0 | 2 | 4 | p. 57 | 114356184/3 | 4 | 1 | p. 75 | |
| 112735110/0 | 15 | 4 | p. 11 | 112792611/0 | 14 | 2 | p. 47 | 114356699/1 | 10 | 2 | p. 75 | |
| 112735110/0 | 30 | 6 | p. 57 | 112792611/0 | 14 | 2 | p. 49 | 114356754/1 | 11 | 1 | p. 75 | |
| 112735110/0 | 66 | 2 | p. 23 | 112792611/0 | 18 | 1 | p. 47 | 114356756/2 | 2 | 1 | p. 75 | |
| 112735110/0 | 98 | 2 | p. 5 | 112792611/0 | 18 | 1 | p. 49 | 114357423/2 | 59 | 1 | p. 51 | |
| 112735110/0 | 98 | 2 | p. 9 | 112792611/0 | 18 | 2 | p. 53 | 114357428/1 | 1 | 1 | p. 75 | |
| 112735120/0 | 49 | 2 | p. 51 | 112792611/0 | 19 | 2 | p. 31 | 114357526/1 | 8 | 1 | p. 75 | |
| 112735122/0 | 15 | 1 | p. 63 | 112792611/0 | 19 | 2 | p. 37 | 114357905/0 | 7 | 1 | p. 75 | |
| 112735122/0 | 15 | 1 | p. 65 | 112792611/0 | 36 | 2 | p. 33 | 114357913/0 | 13 | 1 | p. 75 | |
| 112735170/0 | 47 | 1 | p. 69 | 112792611/0 | 36 | 2 | p. 35 | 114357967/0 | 6 | 1 | p. 75 | |
| 112735170/0 | 47 | 1 | p. 71 | 112792611/0 | 36 | 2 | p. 39 | 114360912/0 | 19 | 1 | p. 75 | |
| 112735402/0 | 72 | 4 | p. 11 | 112792611/0 | 36 | 2 | p. 43 | 114365612/0 | 20 | 1 | p. 75 | |
| 112735404/0 | 58 | 1 | p. 23 | 112792611/0 | 36 | 2 | p. 45 | 118001000/0 | 45 | 1 | p. 65 | |
| 112735404/0 | 58 | 1 | p. 25 | 112792611/0 | 37 | 2 | p. 41 | 118120002/1 | 16 | 1 | p. 69 | |
| 112735405/0 | 76 | 1 | p. 73 | 112792611/0 | 50 | 1 | p. 51 | 118120002/1 | 17 | 1 | p. 71 | |
| 112735530/0 | 6 | 2 | p. 31 | 112792611/0 | 62 | 4 | p. 3 | 118203852/0 | 39 | 1 | p. 69 | |
| 112735530/0 | 12 | 2 | p. 43 | 112792611/0 | 62 | 4 | p. 7 | 118210016/1 | 15 | 1 | p. 69 | |
| 112735530/0 | 14 | 2 | p. 33 | 112792611/0 | 78 | 2 | p. 3 | 118210022/0 | 16 | 1 | p. 71 | |
| 112735530/0 | 15 | 4 | p. 35 | 112792611/0 | 78 | 2 | p. 7 | 118375051/1 | 1 | 2 | p. 47 | |
| | | | | 112793102/0 | 3 | 6 | p. 63 | 118375051/1 | 1 | 2 | p. 49 | |
| | | | | 112793102/0 | 3 | 6 | p. 65 | 118375051/1 | 3 | 2 | p. 31 | |

| code | pos. | q.ty | page | | | | | | | | | |
|-------------|------|------|-------|-------------|-----|---|-------|-------------|----|---|-------|--|
| 118375051/1 | 3 | 2 | p. 33 | 118738254/0 | 6 | 1 | p. 47 | 125038000/0 | 14 | 4 | p. 57 | |
| 118375051/1 | 3 | 2 | p. 35 | 118738255/0 | 7 | 1 | p. 47 | 125038002/1 | 7 | 2 | p. 51 | |
| 118375051/1 | 3 | 2 | p. 39 | 118738256/0 | 6 | 1 | p. 49 | 125040605/0 | 33 | 4 | p. 53 | |
| 118375051/1 | 3 | 2 | p. 41 | 118738257/0 | 7 | 1 | p. 49 | 125040638/0 | 64 | 1 | p. 27 | |
| 118375051/1 | 3 | 2 | p. 43 | 119035000/0 | 2 | 2 | p. 61 | 125060101/2 | 29 | 1 | p. 57 | |
| 118375051/1 | 3 | 2 | p. 45 | 119035000/0 | 3 | 2 | p. 59 | 125065017/0 | 65 | 1 | p. 31 | |
| 118375051/1 | 3 | 4 | p. 37 | 119216032/0 | 13 | 4 | p. 59 | 125065017/0 | 65 | 1 | p. 33 | |
| 118399062/0 | 30 | 1 | p. 51 | 119216047/0 | 20 | 1 | p. 15 | 125065017/0 | 65 | 1 | p. 35 | |
| 118400861/0 | 13 | 1 | p. 69 | 119216047/0 | 20 | 1 | p. 19 | 125065017/0 | 65 | 1 | p. 37 | |
| 118400862/0 | 15 | 1 | p. 71 | 119216048/0 | 6 | 2 | p. 57 | 125065017/0 | 65 | 1 | p. 43 | |
| 118400950/1 | 41 | 1 | p. 51 | 119410605/1 | 32 | 1 | p. 69 | 125065017/0 | 65 | 1 | p. 45 | |
| 118401001/1 | 4 | 1 | p. 47 | 119410605/1 | 32 | 1 | p. 71 | 125065030/0 | 55 | 1 | p. 65 | |
| 118401001/1 | 4 | 1 | p. 49 | 119410609/0 | 62 | 1 | p. 23 | 125090001/2 | 23 | 1 | p. 47 | |
| 118401001/1 | 7 | 1 | p. 41 | 119410614/0 | 61 | 1 | p. 25 | 125090001/2 | 23 | 1 | p. 49 | |
| 118401001/1 | 7 | 1 | p. 45 | 119410614/0 | 67 | 1 | p. 23 | 125090001/2 | 48 | 1 | p. 35 | |
| 118401001/1 | 10 | 1 | p. 43 | 119410614/0 | 83 | 1 | p. 29 | 125090001/2 | 48 | 1 | p. 39 | |
| 118401001/1 | 11 | 1 | p. 39 | 119410615/0 | 31 | 3 | p. 69 | 125090004/0 | 48 | 1 | p. 45 | |
| 118401001/1 | 12 | 1 | p. 37 | 119410615/0 | 31 | 3 | p. 71 | 125090007/0 | 48 | 1 | p. 41 | |
| 118450060/1 | 36 | 1 | p. 69 | 122034523/0 | 11 | 2 | p. 53 | 125109521/1 | 28 | 2 | p. 51 | |
| 118450060/1 | 36 | 1 | p. 71 | 122110230/0 | 8 | 2 | p. 79 | 125110240/0 | 61 | 1 | p. 11 | |
| 118450065/1 | 12 | 1 | p. 69 | 122110230/0 | 8 | 2 | p. 85 | 125110242/0 | 61 | 1 | p. 11 | |
| 118450067/0 | 38 | 1 | p. 69 | 122110230/0 | 17 | 2 | p. 79 | 125110260/2 | 64 | 1 | p. 11 | |
| 118450068/0 | 38 | 1 | p. 71 | 122110230/0 | 17 | 2 | p. 85 | 125110270/0 | 63 | 1 | p. 11 | |
| 118450072/0 | 12 | 1 | p. 71 | 122160400/0 | 22 | 2 | p. 59 | 125122200/2 | 3 | 4 | p. 79 | |
| 118459100/0 | 43 | 2 | p. 69 | 122167840/0 | 66 | 1 | p. 21 | 125122200/2 | 3 | 4 | p. 81 | |
| 118459100/0 | 43 | 2 | p. 71 | 122450115/0 | 33 | 4 | p. 59 | 125122200/2 | 3 | 4 | p. 83 | |
| 118550135/0 | 14 | 1 | p. 71 | 122517866/0 | 42 | 3 | p. 3 | 125122200/2 | 3 | 4 | p. 85 | |
| 118550136/0 | 13 | 1 | p. 71 | 122517866/0 | 42 | 3 | p. 7 | 125140092/0 | 72 | 1 | p. 73 | |
| 118564861/1 | 66 | 1 | p. 31 | 122524970/2 | 26 | 1 | p. 23 | 125160002/0 | 35 | 1 | p. 57 | |
| 118564861/1 | 66 | 1 | p. 33 | 122524970/2 | 26 | 1 | p. 25 | 125160003/0 | 13 | 4 | p. 57 | |
| 118564861/1 | 66 | 1 | p. 35 | 122524970/2 | 26 | 1 | p. 27 | 125160005/0 | 47 | 1 | p. 15 | |
| 118564861/1 | 66 | 1 | p. 37 | 122524970/2 | 83 | 2 | p. 3 | 125160005/0 | 47 | 1 | p. 19 | |
| 118564861/1 | 66 | 1 | p. 43 | 122524970/2 | 83 | 2 | p. 9 | 125160021/0 | 29 | 1 | p. 51 | |
| 118564861/1 | 66 | 1 | p. 45 | 122746600/0 | 32 | 2 | p. 15 | 125160023/0 | 76 | 2 | p. 51 | |
| 118564864/1 | 54 | 1 | p. 69 | 122746600/0 | 32 | 2 | p. 19 | 125160024/2 | 23 | 1 | p. 51 | |
| 118564864/1 | 54 | 1 | p. 71 | 122746609/0 | 33 | 2 | p. 15 | 125160025/0 | 12 | 1 | p. 53 | |
| 118565351/0 | 14 | 1 | p. 69 | 122746609/0 | 33 | 2 | p. 19 | 125160027/0 | 9 | 1 | p. 51 | |
| 118566110/0 | 102 | 2 | p. 13 | 122746616/0 | 32 | 2 | p. 15 | 125160030/2 | 22 | 1 | p. 51 | |
| 118566112/0 | 4 | 2 | p. 73 | 122746616/0 | 32 | 2 | p. 19 | 125160035/0 | 14 | 3 | p. 43 | |
| 118736110/0 | 61 | 1 | p. 31 | 122746616/0 | 41 | 2 | p. 15 | 125160079/0 | 41 | 1 | p. 57 | |
| 118736110/0 | 61 | 1 | p. 33 | 122746616/0 | 41 | 2 | p. 19 | 125253004/0 | 79 | 2 | p. 73 | |
| 118736110/0 | 61 | 1 | p. 35 | 122746616/0 | 52 | 2 | p. 17 | 125260000/0 | 18 | 2 | p. 11 | |
| 118736110/0 | 61 | 1 | p. 37 | 124487995/0 | 71 | 1 | p. 29 | 125290000/0 | 55 | 1 | p. 69 | |
| 118736110/0 | 61 | 1 | p. 43 | 124487997/0 | 30 | 1 | p. 25 | 125290001/0 | 55 | 1 | p. 71 | |
| 118736110/0 | 61 | 1 | p. 45 | 124487997/0 | 30 | 1 | p. 27 | 125318124/0 | 23 | 1 | p. 63 | |
| 118737849/0 | 5 | 1 | p. 47 | 124487997/0 | 102 | 2 | p. 5 | 125318124/0 | 23 | 1 | p. 65 | |
| 118737849/0 | 5 | 1 | p. 49 | 124487997/0 | 102 | 2 | p. 9 | 125394501/0 | 44 | 1 | p. 37 | |
| 118737849/0 | 6 | 1 | p. 41 | 124487998/0 | 5 | 1 | p. 11 | 125394501/0 | 44 | 1 | p. 39 | |
| 118737849/0 | 6 | 1 | p. 45 | 124487998/0 | 8 | 2 | p. 73 | 125394501/0 | 44 | 1 | p. 41 | |
| 118737849/0 | 9 | 1 | p. 43 | 124487998/0 | 63 | 2 | p. 53 | 125394501/0 | 44 | 1 | p. 43 | |
| 118737849/0 | 10 | 1 | p. 39 | 124487999/0 | 9 | 1 | p. 73 | 125394501/0 | 44 | 1 | p. 45 | |
| 118737849/0 | 11 | 1 | p. 37 | 124487999/0 | 46 | 2 | p. 73 | 125394508/0 | 83 | 1 | p. 63 | |
| 118738206/0 | 12 | 1 | p. 33 | 125020800/1 | 10 | 1 | p. 59 | 125394508/0 | 83 | 1 | p. 67 | |
| 118738207/1 | 12 | 1 | p. 45 | 125020801/2 | 11 | 1 | p. 59 | 125394509/1 | 37 | 1 | p. 23 | |
| 118738208/1 | 13 | 1 | p. 45 | 125033002/0 | 6 | 1 | p. 53 | 125410866/0 | 7 | 1 | p. 11 | |
| 118738214/0 | 13 | 1 | p. 35 | 125033003/1 | 31 | 1 | p. 15 | 125410869/0 | 6 | 1 | p. 11 | |
| 118738215/0 | 14 | 1 | p. 35 | 125033003/1 | 31 | 1 | p. 19 | 125420004/0 | 4 | 1 | p. 69 | |
| 118738221/0 | 12 | 1 | p. 39 | 125033033/0 | 57 | 1 | p. 51 | 125420005/0 | 4 | 1 | p. 69 | |
| 118738222/0 | 13 | 1 | p. 39 | 125033034/0 | 36 | 1 | p. 23 | 125420007/0 | 4 | 1 | p. 69 | |
| 118738224/0 | 4 | 1 | p. 31 | 125033060/0 | 1 | 2 | p. 61 | 125430202/1 | 88 | 1 | p. 5 | |
| 118738227/0 | 11 | 1 | p. 43 | 125033060/0 | 2 | 2 | p. 59 | 125430202/1 | 88 | 1 | p. 9 | |
| 118738231/1 | 4 | 1 | p. 37 | 125033091/0 | 70 | 1 | p. 29 | 125430203/1 | 81 | 1 | p. 3 | |
| 118738243/0 | 14 | 1 | p. 41 | 125033097/0 | 29 | 1 | p. 25 | 125430203/1 | 81 | 1 | p. 7 | |
| 118738244/0 | 15 | 1 | p. 41 | 125033097/0 | 29 | 1 | p. 27 | 125430205/1 | 71 | 2 | p. 3 | |
| | | | | 125034002/1 | 36 | 4 | p. 15 | 125430205/1 | 71 | 2 | p. 7 | |
| | | | | 125034002/1 | 36 | 4 | p. 19 | 125430208/0 | 8 | 1 | p. 53 | |

| code | pos. | q.ty | page | | | | | | | | | |
|-------------|------|------|-------|-------------|-----|---|-------|-------------|----|---|-------|--|
| 182000598/0 | 2 | 2 | p. 83 | 325108024/0 | 8 | 1 | p. 11 | 325650037/0 | 9 | 1 | p. 57 | |
| 182000599/0 | 12 | 2 | p. 79 | 325108028/0 | 8 | 1 | p. 11 | 325650065/0 | 17 | 2 | p. 3 | |
| 182000599/0 | 12 | 2 | p. 81 | 325109701/1 | 71 | 1 | p. 11 | 325650065/0 | 17 | 2 | p. 7 | |
| 182000599/0 | 12 | 2 | p. 83 | 325109705/0 | 71 | 1 | p. 11 | 325650067/0 | 20 | 1 | p. 3 | |
| 182004342/0 | 42 | 1 | p. 59 | 325109709/0 | 71 | 1 | p. 11 | 325650067/0 | 20 | 1 | p. 7 | |
| 182004343/0 | 41 | 1 | p. 59 | 325110239/1 | 61 | 1 | p. 11 | 325670008/1 | 41 | 4 | p. 53 | |
| 182004349/0 | 21 | 1 | p. 59 | 325110416/0 | 2 | 1 | p. 23 | 325670008/1 | 57 | 4 | p. 53 | |
| 182004350/0 | 20 | 1 | p. 59 | 325110416/0 | 2 | 1 | p. 25 | 325670011/0 | 27 | 1 | p. 23 | |
| 182004609/0 | 91 | 1 | p. 57 | 325110416/0 | 2 | 1 | p. 27 | 325670011/0 | 27 | 1 | p. 25 | |
| 182040070/0 | 41 | 1 | p. 69 | 325110417/0 | 42 | 1 | p. 23 | 325670011/0 | 27 | 1 | p. 27 | |
| 182040073/0 | 41 | 1 | p. 71 | 325110417/0 | 42 | 1 | p. 25 | 325670011/0 | 51 | 7 | p. 53 | |
| 182040203/0 | 11 | 1 | p. 71 | 325110417/0 | 42 | 1 | p. 27 | 325670011/0 | 55 | 1 | p. 51 | |
| 182040206/0 | 11 | 1 | p. 69 | 325110418/0 | 43 | 1 | p. 23 | 325670025/0 | 77 | 2 | p. 51 | |
| 182040207/0 | 11 | 1 | p. 69 | 325110418/0 | 43 | 1 | p. 25 | 325735111/3 | 51 | 1 | p. 33 | |
| 182040208/0 | 11 | 1 | p. 71 | 325110418/0 | 43 | 1 | p. 27 | 325735111/3 | 51 | 1 | p. 35 | |
| 182076918/0 | 1 | 1 | p. 11 | 325120231/0 | 4 | 1 | p. 77 | 325735111/3 | 51 | 1 | p. 37 | |
| 182076919/0 | 1 | 1 | p. 11 | 325120257/0 | 16 | 1 | p. 11 | 325735111/3 | 51 | 1 | p. 39 | |
| 182106000/2 | 7 | 1 | p. 63 | 325120258/0 | 16 | 1 | p. 11 | 325735111/3 | 51 | 1 | p. 41 | |
| 182106000/2 | 7 | 1 | p. 65 | 325122000/2 | 54 | 2 | p. 11 | 325735111/3 | 51 | 1 | p. 43 | |
| 182110201/0 | 81 | 1 | p. 11 | 325150000/0 | 16 | 2 | p. 15 | 325735111/3 | 51 | 1 | p. 45 | |
| 182110203/0 | 81 | 1 | p. 11 | 325150000/0 | 16 | 2 | p. 19 | 325735506/1 | 17 | 1 | p. 53 | |
| 182180050/0 | 51 | 1 | p. 73 | 325160501/0 | 14 | 2 | p. 59 | 325735523/0 | 15 | 1 | p. 15 | |
| 182180052/0 | 51 | 1 | p. 73 | 325253001/0 | 25 | 1 | p. 23 | 325735523/0 | 15 | 1 | p. 19 | |
| 182700004/0 | 31 | 4 | p. 59 | 325253001/0 | 25 | 1 | p. 25 | 325743000/0 | 5 | 1 | p. 15 | |
| 182750003/0 | 31 | 1 | p. 39 | 325253001/0 | 25 | 1 | p. 27 | 325743000/0 | 5 | 1 | p. 19 | |
| 182750003/0 | 31 | 1 | p. 45 | 325256250/0 | 88 | 1 | p. 13 | 325755025/1 | 97 | 1 | p. 5 | |
| 182750003/0 | 34 | 1 | p. 41 | 325280000/1 | 77 | 1 | p. 73 | 325755025/1 | 97 | 1 | p. 9 | |
| 182750010/0 | 16 | 1 | p. 31 | 325318109/1 | 86 | 1 | p. 5 | 325755031/1 | 12 | 1 | p. 63 | |
| 182750010/0 | 16 | 1 | p. 37 | 325318119/0 | 36 | 1 | p. 57 | 325755031/1 | 12 | 1 | p. 65 | |
| 182750010/0 | 31 | 1 | p. 33 | 325318153/1 | 48 | 2 | p. 53 | 325755071/0 | 79 | 2 | p. 29 | |
| 182750010/0 | 31 | 1 | p. 43 | 325318157/0 | 52 | 1 | p. 51 | 325774213/0 | 43 | 1 | p. 73 | |
| 182750011/0 | 31 | 1 | p. 35 | 325318161/0 | 34 | 2 | p. 53 | 325774267/0 | 13 | 2 | p. 61 | |
| 182750014/0 | 11 | 1 | p. 47 | 325318223/0 | 72 | 2 | p. 55 | 325774273/1 | 5 | 2 | p. 3 | |
| 182750014/0 | 11 | 1 | p. 49 | 325318303/0 | 86 | 1 | p. 9 | 325774273/1 | 5 | 2 | p. 7 | |
| 182774225/1 | 2 | 2 | p. 63 | 325318327/0 | 40 | 1 | p. 3 | 325774315/1 | 11 | 1 | p. 63 | |
| 322110239/0 | 8 | 2 | p. 79 | 325318327/0 | 40 | 1 | p. 7 | 325774315/1 | 11 | 1 | p. 65 | |
| 322110239/0 | 8 | 2 | p. 85 | 325394005/0 | 73 | 1 | p. 73 | 325774317/0 | 42 | 2 | p. 65 | |
| 322110239/0 | 17 | 2 | p. 79 | 325394536/0 | 7 | 1 | p. 53 | 325774373/0 | 10 | 2 | p. 61 | |
| 322110239/0 | 17 | 2 | p. 85 | 325430255/0 | 100 | 1 | p. 5 | 325774421/0 | 16 | 1 | p. 61 | |
| 322394505/0 | 70 | 1 | p. 7 | 325430255/0 | 100 | 1 | p. 9 | 325774423/0 | 14 | 2 | p. 61 | |
| 322672152/0 | 68 | 1 | p. 27 | 325470901/0 | 4 | 1 | p. 53 | 325774425/0 | 15 | 1 | p. 61 | |
| 322672153/0 | 13 | 1 | p. 53 | 325547016/2 | 2 | 1 | p. 11 | 325774453/0 | 19 | 1 | p. 15 | |
| 322672153/0 | 25 | 2 | p. 15 | 325547025/1 | 82 | 1 | p. 11 | 325774453/0 | 19 | 1 | p. 19 | |
| 322672153/0 | 25 | 2 | p. 19 | 325547081/2 | 3 | 1 | p. 23 | 325774477/0 | 61 | 1 | p. 27 | |
| 325022000/1 | 65 | 1 | p. 27 | 325547081/2 | 3 | 1 | p. 25 | 325774575/0 | 39 | 1 | p. 3 | |
| 325031501/0 | 4 | 1 | p. 71 | 325547081/2 | 3 | 1 | p. 27 | 325774575/0 | 39 | 1 | p. 7 | |
| 325032001/1 | 73 | 1 | p. 63 | 325547109/2 | 104 | 2 | p. 13 | 325785133/5 | 14 | 1 | p. 3 | |
| 325032001/1 | 73 | 1 | p. 65 | 325547281/1 | 10 | 1 | p. 27 | 325785133/5 | 14 | 1 | p. 7 | |
| 325032002/1 | 74 | 1 | p. 63 | 325580500/0 | 5 | 1 | p. 77 | 325785137/1 | 22 | 1 | p. 3 | |
| 325032002/1 | 74 | 1 | p. 65 | 325580501/0 | 6 | 1 | p. 77 | 325785137/1 | 22 | 1 | p. 7 | |
| 325033071/0 | 50 | 1 | p. 53 | 325580505/0 | 6 | 1 | p. 77 | 325785143/1 | 21 | 1 | p. 23 | |
| 325034003/0 | 45 | 4 | p. 23 | 325592000/0 | 26 | 1 | p. 47 | 325785143/1 | 21 | 1 | p. 25 | |
| 325034003/0 | 45 | 4 | p. 25 | 325592000/0 | 26 | 1 | p. 49 | 325785143/1 | 21 | 1 | p. 27 | |
| 325034003/0 | 45 | 4 | p. 27 | 325592000/0 | 44 | 1 | p. 31 | 325785147/2 | 85 | 1 | p. 5 | |
| 325034003/0 | 77 | 4 | p. 55 | 325592000/0 | 44 | 1 | p. 33 | 325785147/2 | 85 | 1 | p. 9 | |
| 325038004/0 | 1 | 1 | p. 15 | 325592000/0 | 44 | 1 | p. 35 | 325785149/3 | 80 | 1 | p. 3 | |
| 325038004/0 | 1 | 1 | p. 19 | 325592001/0 | 33 | 1 | p. 25 | 325785149/3 | 80 | 1 | p. 7 | |
| 325060034/1 | 57 | 1 | p. 23 | 325592001/0 | 33 | 1 | p. 27 | 325785197/0 | 48 | 1 | p. 65 | |
| 325060034/1 | 57 | 1 | p. 25 | 325592002/0 | 34 | 1 | p. 25 | 325785213/1 | 8 | 1 | p. 15 | |
| 325060049/0 | 93 | 1 | p. 5 | 325592002/0 | 34 | 1 | p. 27 | 325785213/1 | 8 | 1 | p. 19 | |
| 325060049/0 | 93 | 1 | p. 9 | 325600060/0 | 49 | 1 | p. 65 | 325785272/0 | 26 | 1 | p. 63 | |
| 325060050/0 | 76 | 1 | p. 29 | 325601570/1 | 21 | 2 | p. 51 | 325785272/0 | 26 | 1 | p. 65 | |
| 325060142/0 | 11 | 1 | p. 61 | 325601599/0 | 17 | 1 | p. 51 | 325785354/0 | 44 | 4 | p. 23 | |
| 325060143/0 | 12 | 1 | p. 61 | 325601599/0 | 40 | 1 | p. 57 | 325785354/0 | 44 | 4 | p. 25 | |
| | | | | 325605002/0 | 73 | 1 | p. 29 | 325785354/0 | 44 | 4 | p. 27 | |
| | | | | 325605003/0 | 87 | 1 | p. 11 | 325785354/0 | 76 | 2 | p. 55 | |

| code | pos. | q.ty | page | | | | |
|-------------|------|------|-------|-------------|-----|---|-------|
| 325785355/0 | 75 | 2 | p. 55 | 382547051/0 | 1 | 1 | p. 63 |
| 325785479/0 | 80 | 1 | p. 29 | 382547053/0 | 1 | 1 | p. 65 |
| 325785481/0 | 56 | 1 | p. 23 | 382564213/0 | 1 | 1 | p. 59 |
| 325785481/0 | 56 | 1 | p. 25 | 382564214/0 | 1 | 1 | p. 59 |
| 325840001/0 | 40 | 1 | p. 15 | 382564215/0 | 1 | 1 | p. 59 |
| 325840001/0 | 40 | 1 | p. 19 | 382564220/0 | 1 | 1 | p. 59 |
| 325869016/1 | 2 | 1 | p. 31 | 382598005/2 | 35 | 1 | p. 35 |
| 325869016/1 | 2 | 1 | p. 33 | 382598005/2 | 35 | 1 | p. 39 |
| 325869016/1 | 2 | 1 | p. 35 | 382598009/2 | 18 | 1 | p. 31 |
| 325869016/1 | 2 | 1 | p. 43 | 382598009/2 | 35 | 1 | p. 33 |
| 325869016/1 | 2 | 1 | p. 45 | 382598013/1 | 35 | 1 | p. 45 |
| 325869027/1 | 2 | 1 | p. 39 | 382598029/0 | 35 | 1 | p. 43 |
| 325869033/1 | 2 | 1 | p. 41 | 382598039/0 | 18 | 1 | p. 37 |
| 325869043/0 | 3 | 1 | p. 73 | 382598051/0 | 36 | 1 | p. 41 |
| 325869057/0 | 2 | 1 | p. 37 | 382598065/0 | 13 | 1 | p. 47 |
| 382000389/1 | 41 | 1 | p. 27 | 382598065/0 | 13 | 1 | p. 49 |
| 382000391/1 | 41 | 1 | p. 23 | 382650038/0 | 76 | 1 | p. 63 |
| 382000391/1 | 41 | 1 | p. 25 | 382650038/0 | 76 | 1 | p. 65 |
| 382000477/2 | 43 | 2 | p. 53 | 382650045/0 | 61 | 1 | p. 3 |
| 382000507/1 | 41 | 1 | p. 65 | 382650045/0 | 61 | 1 | p. 7 |
| 382000551/0 | 10 | 1 | p. 53 | 382650209/0 | 54 | 1 | p. 65 |
| 382000579/0 | 50 | 1 | p. 23 | 382722431/0 | 1 | 1 | p. 71 |
| 382000579/0 | 50 | 1 | p. 25 | 382722432/0 | 1 | 1 | p. 71 |
| 382000579/0 | 50 | 1 | p. 27 | 382722433/0 | 1 | 1 | p. 71 |
| 382000582/0 | 5 | 1 | p. 23 | 382722434/0 | 1 | 1 | p. 71 |
| 382000582/0 | 5 | 1 | p. 25 | 382735502/0 | 42 | 1 | p. 73 |
| 382000585/0 | 73 | 1 | p. 55 | 382774207/0 | 77 | 1 | p. 3 |
| 382000626/0 | 5 | 1 | p. 27 | 382774207/0 | 77 | 1 | p. 7 |
| 382033105/1 | 44 | 1 | p. 73 | 382774245/0 | 2 | 2 | p. 65 |
| 382034001/3 | 35 | 1 | p. 15 | 382785021/8 | 12 | 1 | p. 11 |
| 382034001/3 | 35 | 1 | p. 19 | 382785022/9 | 11 | 1 | p. 11 |
| 382076917/1 | 1 | 1 | p. 11 | 382785084/1 | 4 | 1 | p. 57 |
| 382108020/0 | 9 | 1 | p. 61 | 382785109/0 | 45 | 1 | p. 51 |
| 382110200/1 | 81 | 1 | p. 11 | 382785137/0 | 13 | 1 | p. 11 |
| 382110252/0 | 8 | 2 | p. 81 | 382785147/0 | 61 | 2 | p. 65 |
| 382110253/0 | 17 | 2 | p. 81 | 382800002/2 | 72 | 1 | p. 63 |
| 382110274/0 | 8 | 2 | p. 83 | 382800002/2 | 72 | 1 | p. 65 |
| 382110275/0 | 17 | 2 | p. 83 | 382800051/0 | 71 | 1 | p. 63 |
| 382180027/1 | 86 | 1 | p. 63 | 382800093/0 | 71 | 1 | p. 65 |
| 382180045/0 | 86 | 1 | p. 67 | 382869006/1 | 101 | 1 | p. 13 |
| 382207200/1 | 8 | 1 | p. 59 | | | | |
| 382207201/2 | 9 | 1 | p. 59 | | | | |
| 382230348/0 | 39 | 1 | p. 15 | | | | |
| 382230349/0 | 38 | 1 | p. 15 | | | | |
| 382230359/0 | 39 | 1 | p. 19 | | | | |
| 382230361/0 | 38 | 1 | p. 19 | | | | |
| 382318101/0 | 43 | 1 | p. 15 | | | | |
| 382318139/0 | 2 | 1 | p. 53 | | | | |
| 382318159/0 | 31 | 1 | p. 53 | | | | |
| 382318161/0 | 32 | 1 | p. 53 | | | | |
| 382318165/1 | 5 | 1 | p. 51 | | | | |
| 382318185/0 | 43 | 1 | p. 19 | | | | |
| 382394001/2 | 75 | 1 | p. 63 | | | | |
| 382394001/2 | 75 | 1 | p. 65 | | | | |
| 382394853/0 | 61 | 1 | p. 23 | | | | |
| 382400003/1 | 2 | 1 | p. 73 | | | | |
| 382500011/2 | 1 | 1 | p. 23 | | | | |
| 382500011/2 | 1 | 1 | p. 25 | | | | |
| 382500011/2 | 1 | 1 | p. 27 | | | | |
| 382510041/2 | 9 | 1 | p. 3 | | | | |
| 382510041/2 | 9 | 1 | p. 7 | | | | |
| 382510043/2 | 10 | 1 | p. 3 | | | | |
| 382510043/2 | 10 | 1 | p. 7 | | | | |
| 382547031/0 | 1 | 1 | p. 57 | | | | |