

Parts Catalogue

for model
MJ 66 E Hydro

- Use GLOBAL GARDEN PRODUCT Genuine Spare Parts specified in the parts list for repair and/or replacement.
- The contents described in the parts list may change due to improvement.
- The drawings of the spare parts are only indicative and might not represent the part in question exactly.
- The indications "right" - "left" - "front" - "rear" refer to the position of the operator when using the machine.
- When placing orders of parts for repair and/or replacement, make sure that the illustrated parts list is the one applying to the machine's year of manufacture, as shown on the identification plate attached to the machine.

© Copyright 2015 Global Garden Products

All content is subject to copyright by Global Garden Products and may not be reproduced in whole or in part by any means, electronic or otherwise, without prior written approval.

THIS INFORMATION IS NOT INTENDED FOR SALE OR RESALE, AND THIS NOTICE MUST REMAIN ON ALL COPIES.



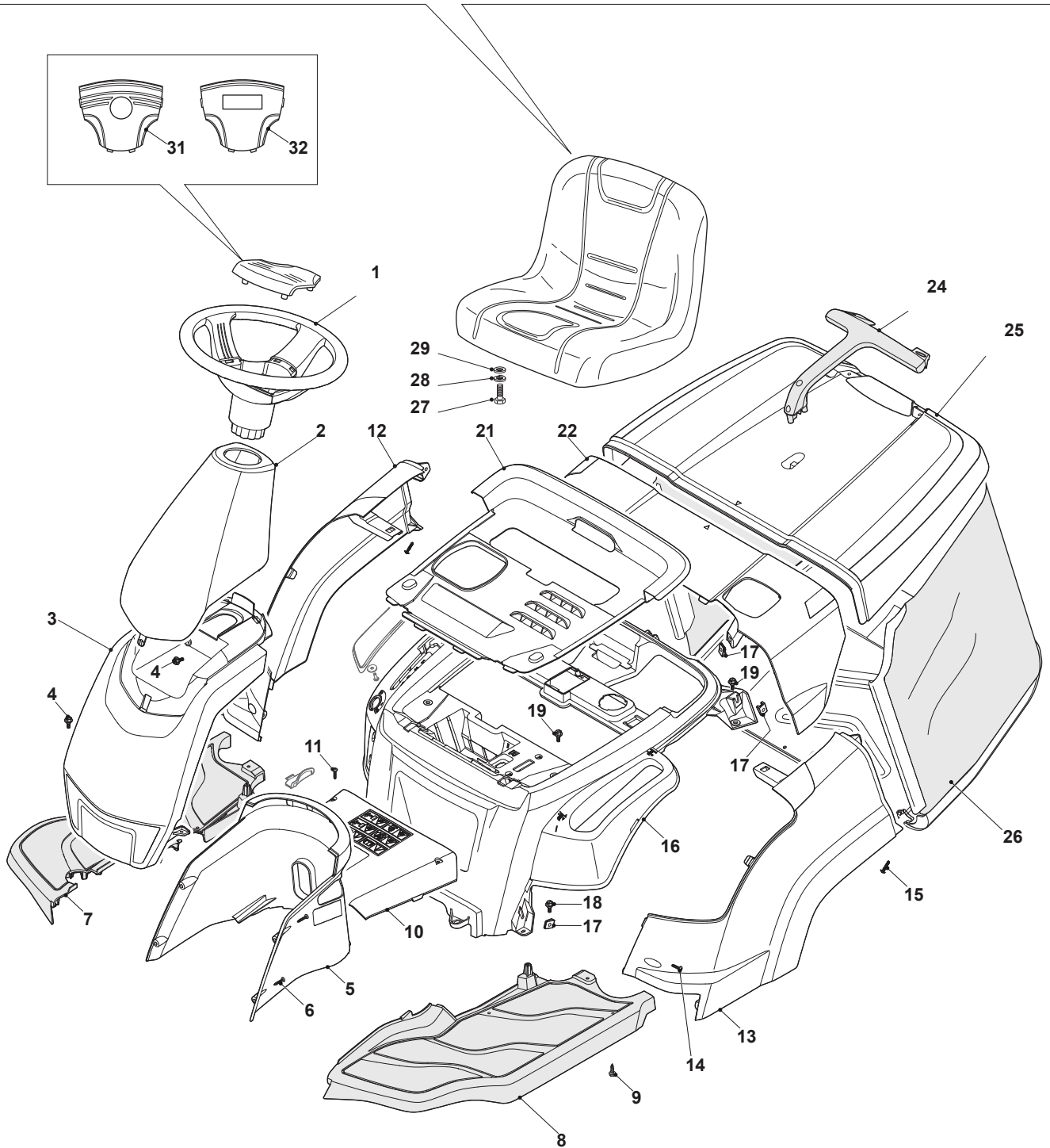
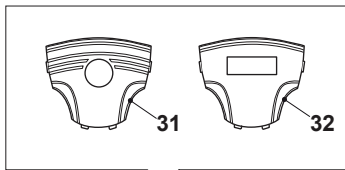
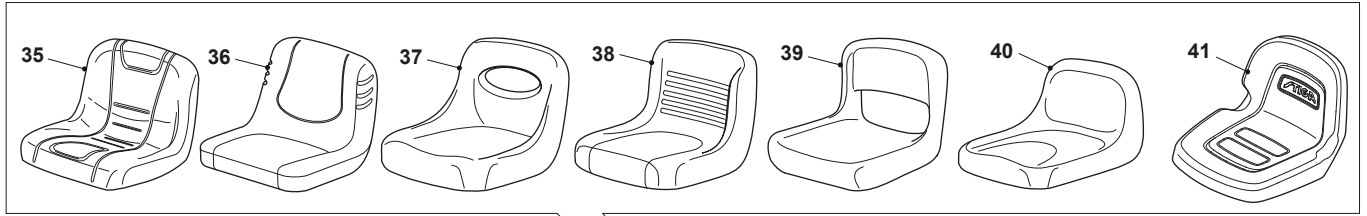


Fig.	Quantity	Part No	Description	Notes
1	1	325961220/0	Steering Wheel	
2	1	327110486/0	Steering Column Cover, Grey	
2	1	327110487/0	Steering Column Cover, Black	
2	1	327110519/0	Steering Column Cover, Stiga Grey	
3	1	327110492/0	Front Cover, Yellow	
3	1	327110493/0	Front Cover, White	
3	1	327110510/0	Steering Column Cover, Red	
3	1	327110528/0	Front Cover, Green	
4	4	125943010/0	Screw	
5	1	327110483/0	Rear Steering Column Cover, Grey	
5	1	327110518/0	Rear Cover, Grey Stiga	
5	1	327110522/0	Rear Cover, Black	
6	4	112728300/0	Screw	
7	1	327500501/0	Right Footboard	
8	1	327500500/0	Left Footboard	
9	14	112735402/0	Screw	
11	2	112728300/0	Screw	
12	1	327110488/0	Right Wheels Cover, Yellow	
12	1	327110489/0	Right Wheels Cover, White	
12	1	327110511/0	Right Rear Cover, Red	
12	1	327110529/0	Right Wheels Cover, Green	
12	1	327110533/0	Right Wheels Cover, Black	
13	1	327110490/0	Left Wheels Cover, Yellow	
13	1	327110491/0	Left Wheels Cover, White	
13	1	327110512/0	Left Rear Cover, Red	
13	1	327110530/0	Left Wheels Cover, Green	
13	1	327110534/0	Left Wheels Cover, Black	
14	6	112727801/0	Screw	
15	6	112728300/0	Screw	
16	1	327110480/1	Grey Frame Cover	
16	1	327110517/1	Grey Frame Cover	
16	1	327110521/1	Frame Cover Black	
17	10	112437507/0	Rapid Fixing Plate	
18	10	112728300/0	Screw	
19	6	125943010/0	Screw	
21	1	327110481/1	Engine Black Cover	
22	1	327110494/0	Cover, Yellow	
22	1	327110495/0	Cover, White	
22	1	327110514/0	Rear Cover, Red	
22	1	327110532/0	Cover, Green	
22	1	327110536/0	Cover, Black	
24	1	327394004/0	Handle, Black	
25	1	327110484/0	Grass-Catcher Cover, Yellow	
25	1	327110485/0	Grass-Catcher Cover, White	
25	1	327110513/0	Red Grass-catcher Cover	
25	1	327110531/0	Grass-Catcher Cover, Green	
25	1	327110535/0	Grass-Catcher Cover, Black	
26	1	184106074/0	Box, Fabric	
27	4	112793101/0	Screw	
28	4	112583500/0	Grower	
29	4	112523060/0	Washer	

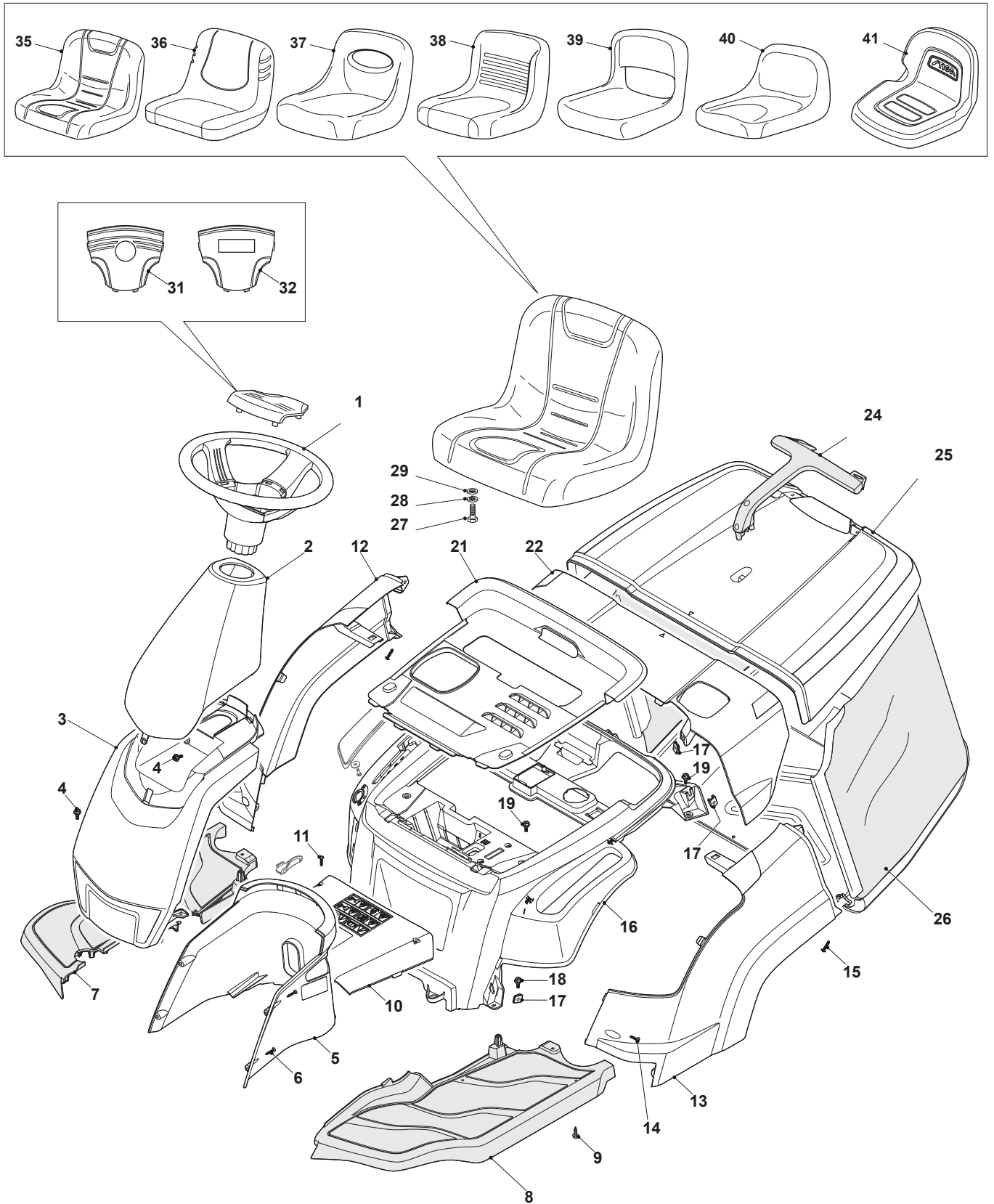


Fig.	Quantity	Part No	Description	Notes
31	1	325580503/0	Steering Plate Cover	
32	1	325580504/0	Steering Plate Cover	
35	1	125722472/0	Seat	
36	1	125722463/0	Seat	
37	1	125722453/1	Seat	
38	1	125722471/0	Seat	
39	1	125722456/0	Seat	
40	1	125722470/0	Seat	
41	1	125722477/0	Seat	
10	1	327110566/0	Central Cover, Grey	
10	1	327110568/0	Central Cover, Black	
10	1	327110567/0	Central Cover, Grey	

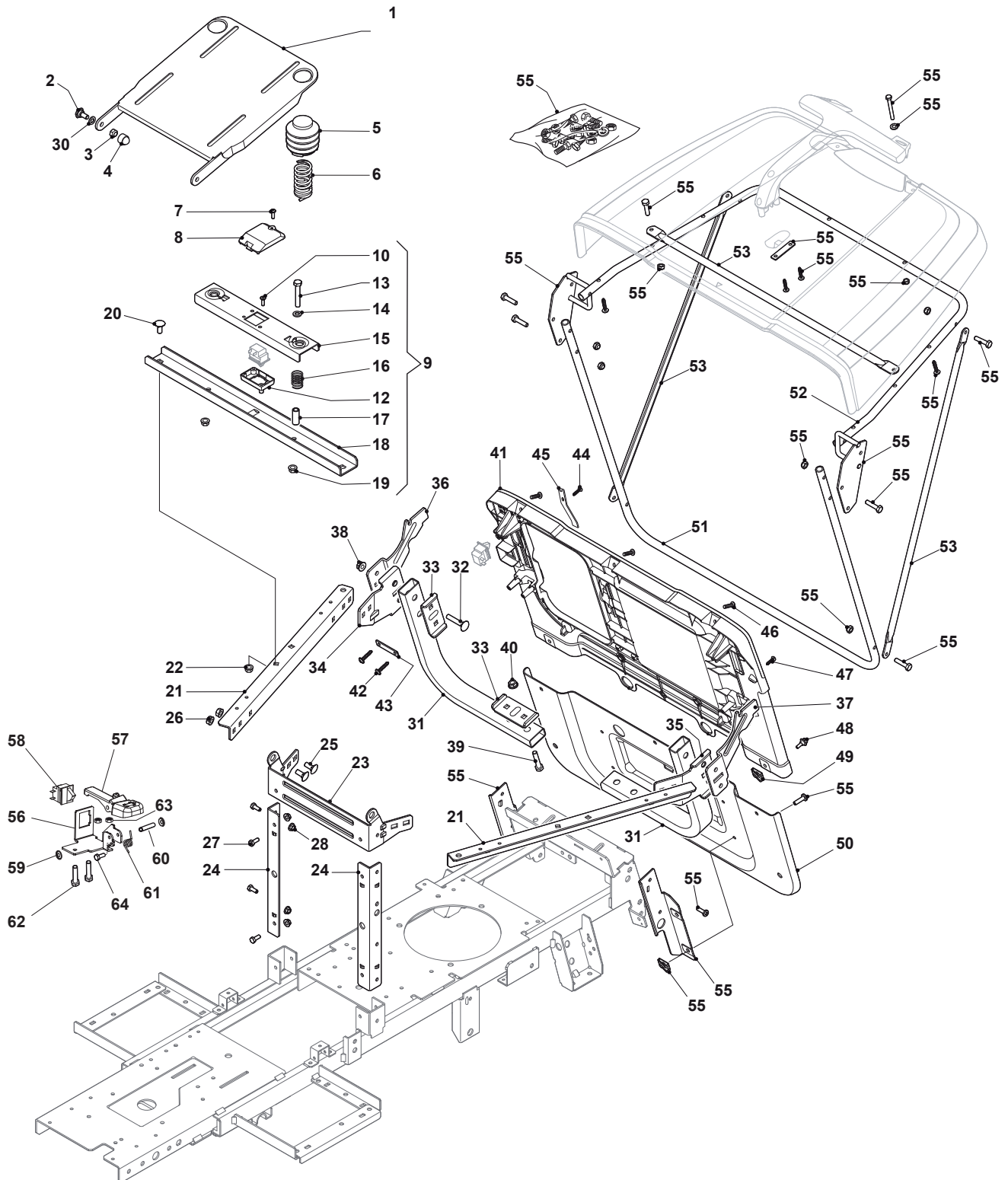


Fig.	Quantity	Part No	Description	Notes
1	1	382547061/0	Plate	
2	2	122524970/3	Pin	
3	2	112155010/0	Nut	
4	2	118203854/0	Screw	
5	2	327737500/0	Protection Hood	
6	2	127430589/0	Spring	
7	1	112728706/0	Screw	
8	1	327110508/0	Switch Cover	
9	1	384394751/1	Micro	
10	2	112728686/0	Screw	
11	1	119410606/0	Microswitch	
12	1	325785379/1	Support	
13	2	112691400/0	Screw	
14	2	112521350/0	Washer	
15	1	327543047/0	Plate	
16	2	125430263/0	Spring	
17	2	125160048/0	Spacer	
18	1	327787089/0	Support	
19	2	112293201/0	Nut	
20	2	112818690/0	Screw	
21	2	327650131/0	Upper Stiffening	
22	2	112293201/0	Nut	
23	1	327543039/0	Backup Plate	
24	2	327010209/0	Angular	
25	8	112818690/0	Screw	
26	8	112293201/0	Nut	
27	8	112791200/1	Screw	
28	8	112154510/0	Nut	
30	2	122675110/0	Washer	
31	2	327869063/0	Pipe	
32	4	112819105/0	Screw	
33	4	327543029/0	Plate	
34	1	327772171/0	Bracket, Right	
35	1	327772213/0	Bracket, Right	
36	1	327772225/0	Bracket, Left	
37	1	327772215/1	Bracket, Left	
38	4	112154210/0	Nut	
39	4	112691115/0	Screw	
40	4	112154210/0	Nut	
41	1	327543027/0	Plate	
42	4	112728300/0	Screw	
43	2	322545142/0	Plate	
44	1	112728300/0	Screw	
45	1	127430600/0	Spring	
46	3	112727801/0	Screw	
47	2	112728300/0	Screw	
48	2	125943010/0	Screw	
49	2	112437507/0	Rapid Fixing Plate	
50	1	327543025/0	Plate	
51	1	384801145/0	Grasscatcher Frame	
52	1	384801147/0	Grasscatcher Upper Frame	

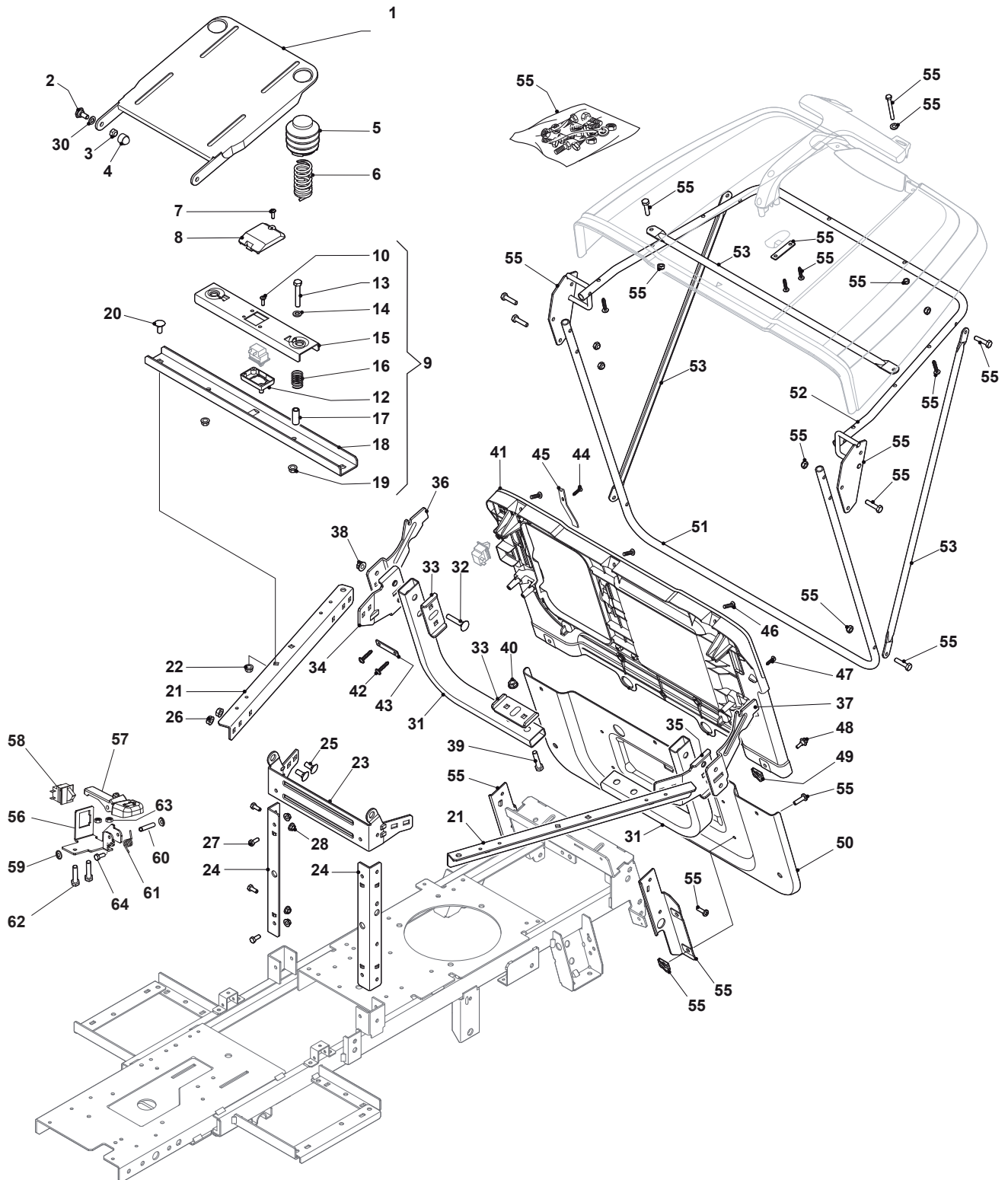


Fig.	Quantity	Part No	Description	Notes
53	3	327650133/0	Upper Stiffening	
55	1	384180218/1	Outfit, Screws	
56	1	327772241/0	Clamp	
57	1	327500065/0	Pedal	
58	1	119410614/0	Microswitch	
59	2	112604896/0	Crown Fastener	
60	1	122517866/0	Pin	
61	1	122450457/0	Safety Spring	
62	2	112791400/0	Screw	
63	2	112292102/0	Nut	
64	1	112728440/0	Screw	

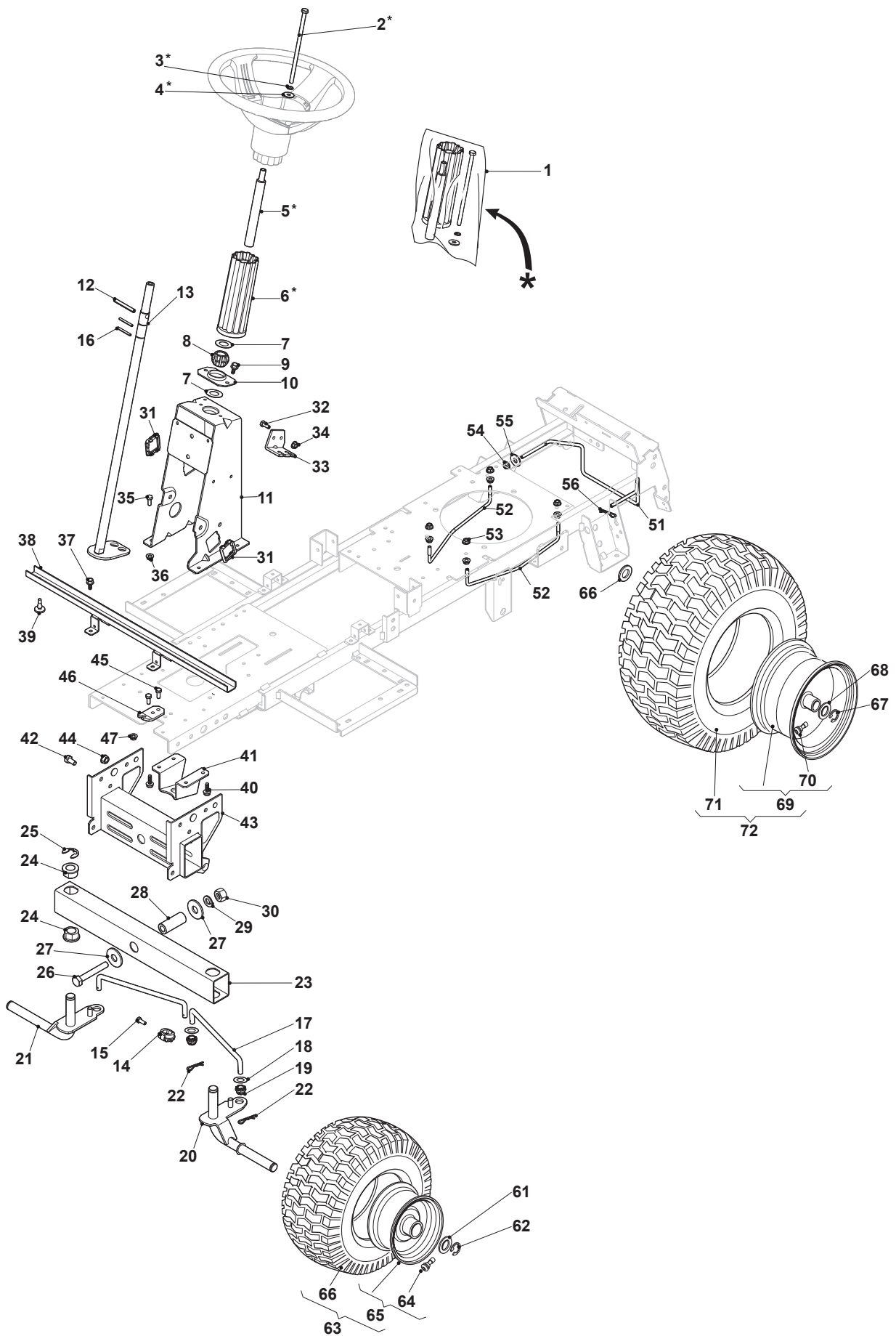


Fig.	Quantity	Part No	Description	Notes
37	4	112735122/1	Screw	
40	4	112735122/1	Screw	
1	1	384180219/0	Outfit, Screws	
2	1	127840055/0	Tie Rod	
3	1	112540260/0	Grower	
4	1	112523070/0	Washer	
5	1	127160060/0	Extension column	
6	1	325785419/0	Steering Wheel Support	
7	2	125670023/0	Washer	
8	1	122746617/0	Joint	
9	2	112735121/0	Screw	
10	1	327787091/0	Joint Support	
11	1	384773575/0	Front Bracket Support	
12	1	112620300/0	Spring	
13	1	384520051/0	Steering Column	
14	1	327045074/0	Bush	
15	2	125943004/0	Screw	
16	2	112620210/0	Elastic Pin	
17	2	127034091/0	Rod	
18	4	112521350/0	Washer	
19	4	327045072/0	Bushing	
20	1	384230411/0	Left Stub Axle	
21	1	384230409/0	Right Stub Axle	
22	4	124487995/0	Cotter Pin	
23	1	327869061/0	Tube	
24	4	127047019/0	Bushing	
25	2	112000970/0	Ring (Benzing)	
26	1	112794950/0	Screw	
27	2	112523080/0	Washer	
28	1	127160062/0	Spacer	
29	1	112585100/0	Washer	
30	1	112295200/0	Nut	
31	2	327580500/0	Plate	
32	2	112791200/1	Screw	
33	1	327772199/0	Front Bracket	
34	2	112292102/0	Nut	
35	4	112791200/1	Screw	
36	4	112292102/0	Nut	
38	1	384783061/0	Footboard Support	
39	1	127275000/0	Grommet	
41	1	327772165/1	Bracket	
42	4	112792611/0	Screw	
43	1	384783059/0	Forecarriage Support	
44	4	112293201/0	Nut	
45	2	112791200/1	Screw	
46	1	327772209/0	Bracket	
47	2	112292102/0	Nut	
51	1	127294009/0	Belt Guide	
52	2	127294010/1	Belt Guide	
53	8	112292102/0	Nut	
54	1	112154510/0	Nut	

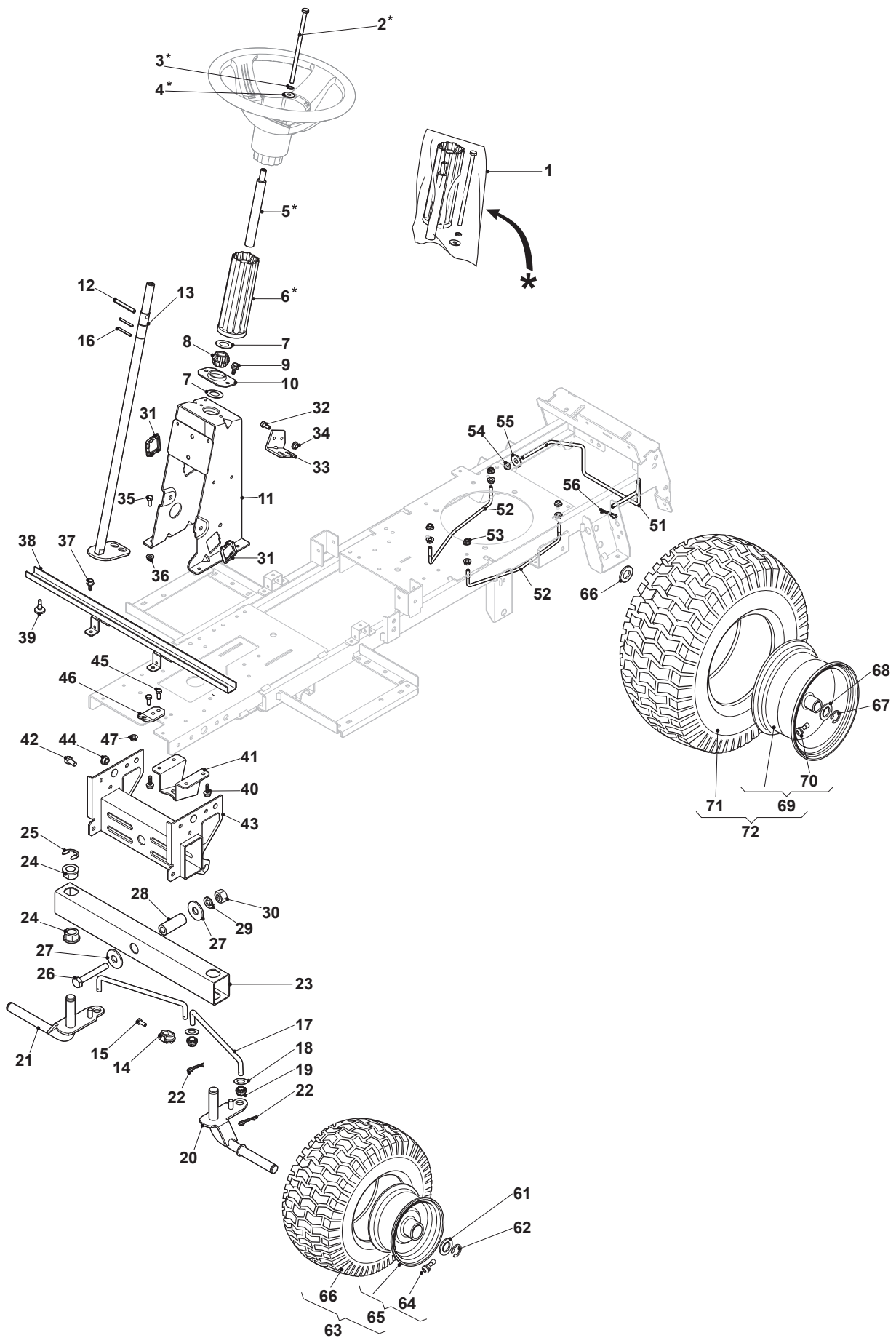


Fig.	Quantity	Part No	Description	Notes
55	1	112521330/0	Washer	
56	1	124487997/0	Cotter Pin	
61	2	112000970/0	Ring (Benzing)	
62	2	112521390/0	Washer	
63	2	384680073/0	Front Wheel	Wheels Type B - 11 inch
63	2	384680074/0	Front Wheel	Wheels Type A - 13 inch
64	2	125590000/0	Front Tyre	
65	2	184044014/0	Rear Wheel Rimm	Wheels Type B - 11 inch
65	2	184044015/0	Front Wheel Rimm	Wheels Type A - 13 inch
66	2	125590018/0	Tyre	Wheels Type A - 13 inch
66	2	127590067/0	Tyre	Wheels Type B - 11 inch
67	2	112001010/0	Benzing Ring	
68	4	125670005/2	Washer	
69	2	184044013/0	Rimm	
70	2	125590000/0	Front Tyre	
71	2	125590018/0	Tyre	Wheels Type B - 11 inch
71	2	127590068/0	Tyre	Wheels Type A - 13 inch
72	2	384680075/0	Rear Wheel Assy	Wheels Type B - 11 inch
72	2	384680076/0	Rear Wheel	Wheels Type A - 13 inch

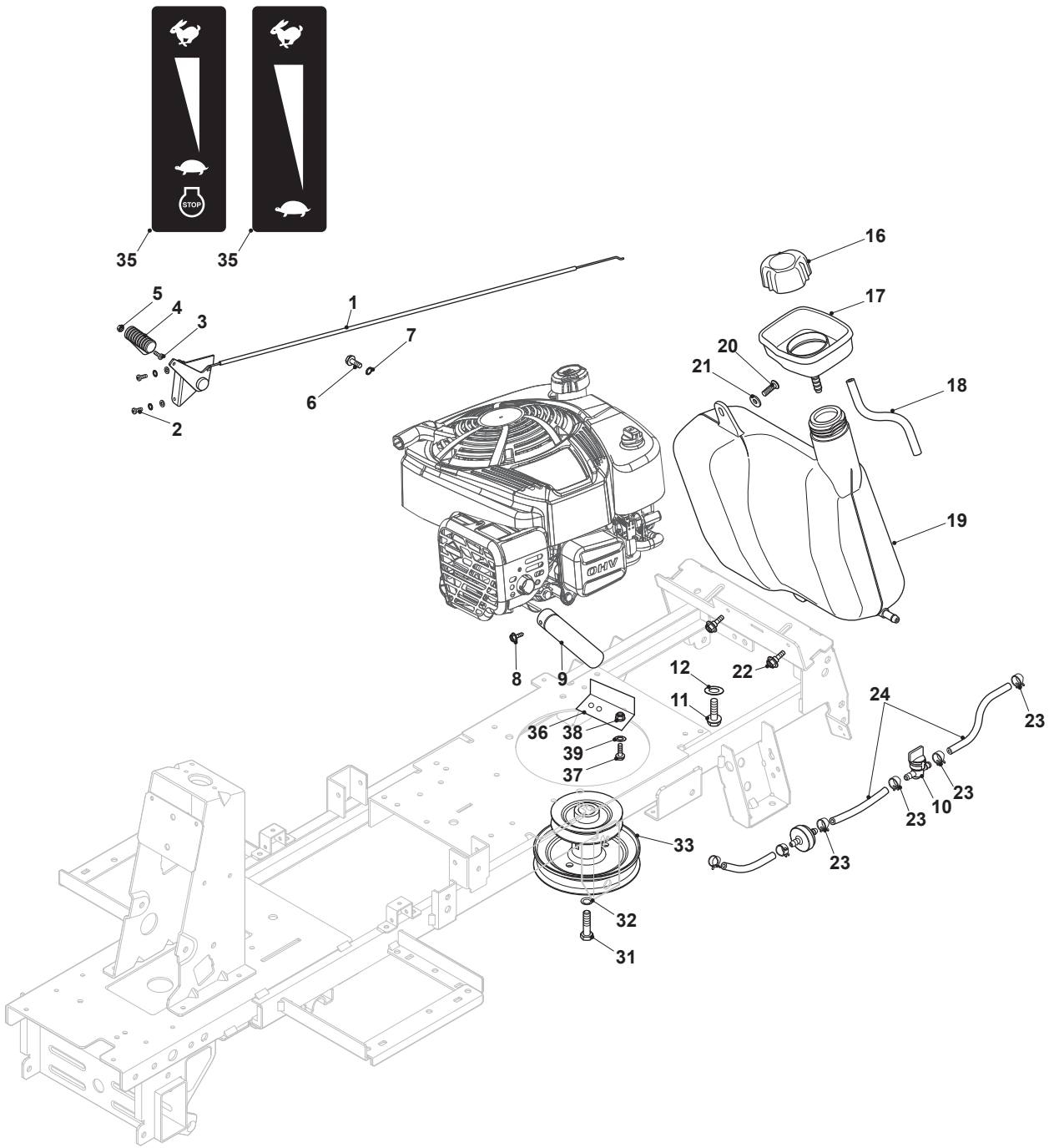


Fig.	Quantity	Part No	Description	Notes
33	1	384601500/1	Pulley	Wheels Type A - 13 inch
33	1	384601501/1	Pulley	Wheels Type B - 11 inch
10	1	118562996/0	Shut out valve	
1	1	184000256/0	Throttle Cable	
2	2	125943012/0	Screw	
3	1	112726388/0	Screw	
4	1	125394501/0	Knob	
5	1	112290800/0	Nut	
6	1	112735599/0	Screw	
7	1	112540040/0	Washer	
8	1	112735110/0	Screw	
9	1	118738252/0	Exhaust Tube	
11	3	112735108/1	Screw	
12	3	112540070/0	Washer	
16	1	127790000/1	Fuel Cap	
17	1	327600180/0	Tank Protection	
18	1	327869054/1	Fuel Discharge Pipe	
19	1	327733008/0	Fuel Tank	
20	1	112727801/0	Screw	
21	1	112523040/0	Washer	
22	2	125943010/0	Screw	
23	4	118375051/1	Fair Led	
24	1	325869035/1	Connecting Tube	
31	1	112735694/0	Screw	Wheels Type B - 11 inch
31	1	112736850/0	Screw	Wheels Type A - 13 inch
32	1	112543000/0	Washer	
35	1	114366873/0	Label	for Manual Start
35	1	114366874/0	Label	for Electric Start
36	1	327772239/0	Bracket	
37	3	112791200/1	Screw	
39	2	122675110/0	Washer	
38	3	112154510/0	Nut	

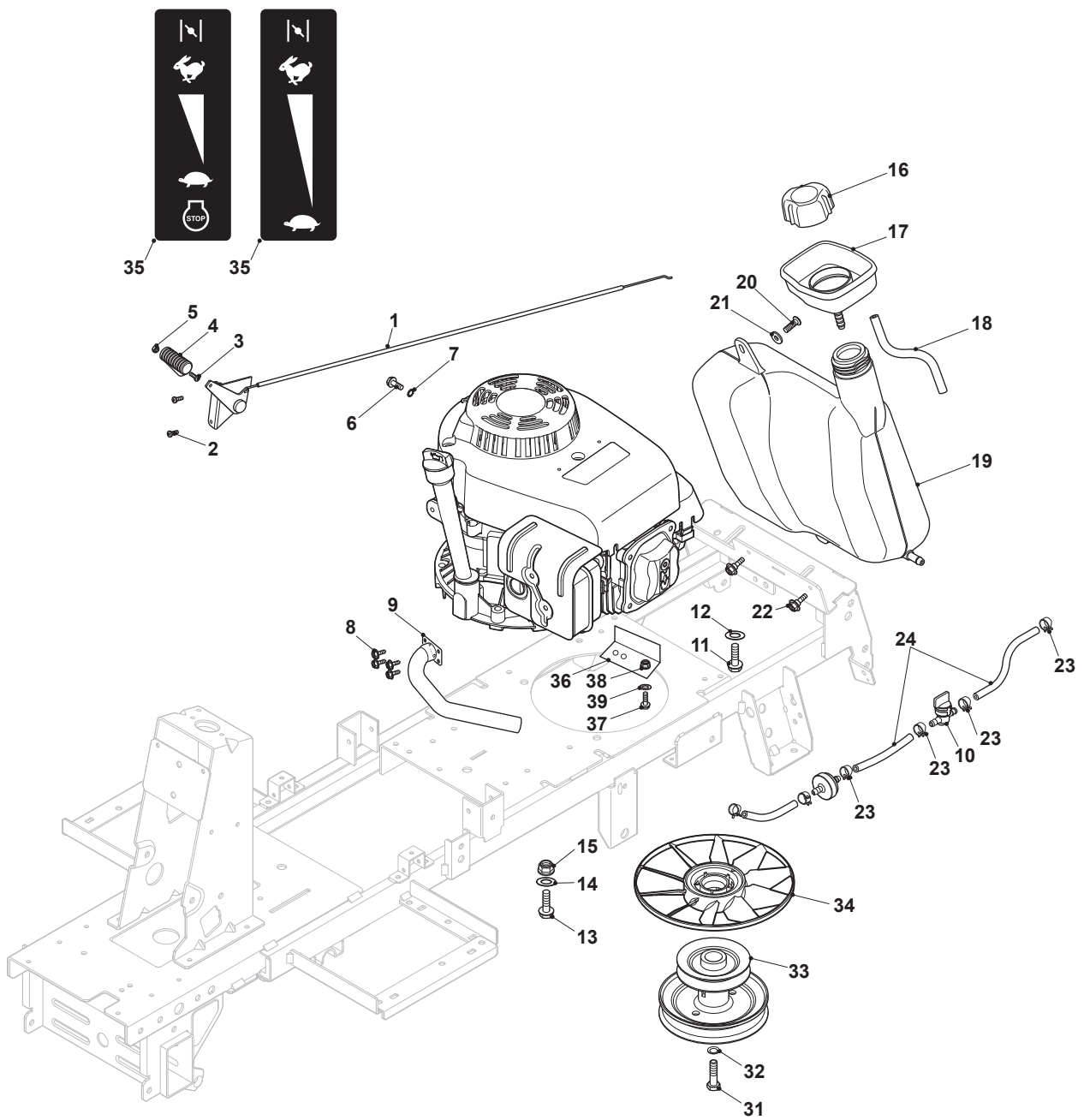


Fig.	Quantity	Part No	Description	Notes
33	1	384601500/1	Pulley	Wheels Type A - 13 inch
33	1	384601501/1	Pulley	Wheels Type B - 11 inch
10	1	118562996/0	Shut out valve	
1	1	184000256/0	Throttle Cable	
2	2	125943012/0	Screw	
3	1	112726388/0	Screw	
4	1	125394501/0	Knob	
5	1	112290800/0	Nut	
6	1	112735599/0	Screw	
7	1	112540040/0	Washer	
8	4	112735110/0	Screw	
9	1	118738251/0	Tube	
11	2	112735109/1	Screw	
12	2	112540070/0	Washer	
13	1	112691200/0	Screw	
14	1	112521350/0	Washer	
15	1	112154210/0	Nut	
16	1	127790000/1	Fuel Cap	
17	1	327600180/0	Tank Protection	
18	1	327869054/1	Fuel Discharge Pipe	
19	1	327733008/0	Fuel Tank	
20	1	112727801/0	Screw	
21	1	112523040/0	Washer	
22	2	125943010/0	Screw	
23	4	118375051/1	Fair Led	
24	1	325869035/1	Connecting Tube	
31	1	112735694/0	Screw	Wheels Type B - 11 inch
31	1	112736850/0	Screw	Wheels Type A - 13 inch
32	1	112543000/0	Washer	
34	1	327951200/0	Fan	
35	1	114366904/0	Label	for Manual Start
35	1	114366905/0	Label	for Electric Start
36	1	327772239/0	Bracket	
37	3	112791200/1	Screw	
39	2	122675110/0	Washer	
38	3	112154510/0	Nut	

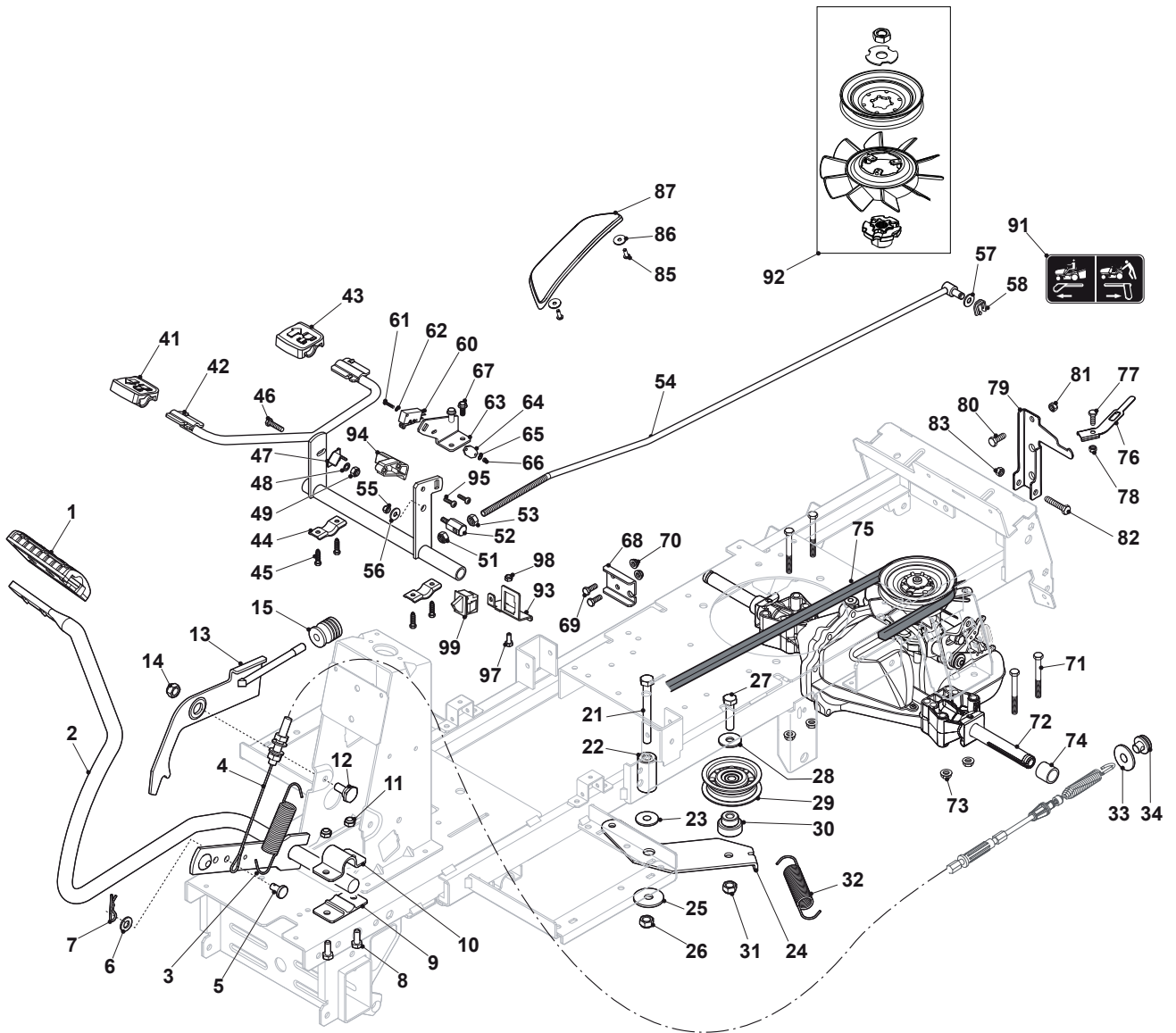


Fig.	Quantity	Part No	Description	Notes
1	1	325110409/0	Clamp Cover	
2	1	384503013/0	Pedal	
3	1	127430594/0	Spring	
4	1	384004604/0	Cable, Thread Engine Brake	
5	1	127510120/0	Pin	
6	1	112521350/0	Washer	
7	1	124487997/0	Cotter Pin	
8	4	112791400/0	Screw	
9	2	325785350/0	Support	
10	2	325547231/0	Plate	
11	4	112154510/0	Nut	
12	1	122524970/3	Pin	
13	1	384002097/0	Brake Control Rod	
14	1	112154210/0	Nut	
15	1	127395050/1	Knob	
21	1	112691900/0	Screw	
22	1	127160065/0	Spacer	
23	1	122041980/0	Bushing	
24	1	327315139/0	Tightener Lever	
25	1	112523070/0	Washer	
26	1	112155000/0	Nut	
27	1	112691115/0	Screw	
28	1	112523060/0	Washer	
29	1	127604015/0	Pulley	
30	1	127160064/0	Spacer	
31	1	112155000/0	Nut	
32	1	127430594/0	Spring	
33	1	112521360/0	Washer	
34	1	127510124/0	Pin	
41	1	325110274/0	Clamp Cover Front	
42	1	384503011/1	Drive Pedal	
43	1	325110331/0	Clamp Cover Rear	
44	2	327546015/2	Plate	
45	4	112731350/0	Screw	
46	1	112791400/0	Screw	
47	1	127063022/0	Plastic Neutral Switch Cam F72 Hy.T.Torq	
48	1	112521330/0	Washer	
49	1	112154510/0	Nut	
51	1	112155000/0	Nut	
52	1	127510103/0	Pin	
53	1	112293200/0	Nut	
54	1	384002095/0	Rod	
55	1	112523040/0	Washer	
56	1	112154510/0	Nut	
57	1	325670011/0	Antifriction Washer	
58	1	112436050/0	Plate	
60	1	119410609/0	Microswitch	
61	2	112735602/0	Screw	
62	2	112581100/0	Grower	
63	1	327543053/1	Backup Plate	
64	1	327546019/0	Neutral Switch Fixing Plate	

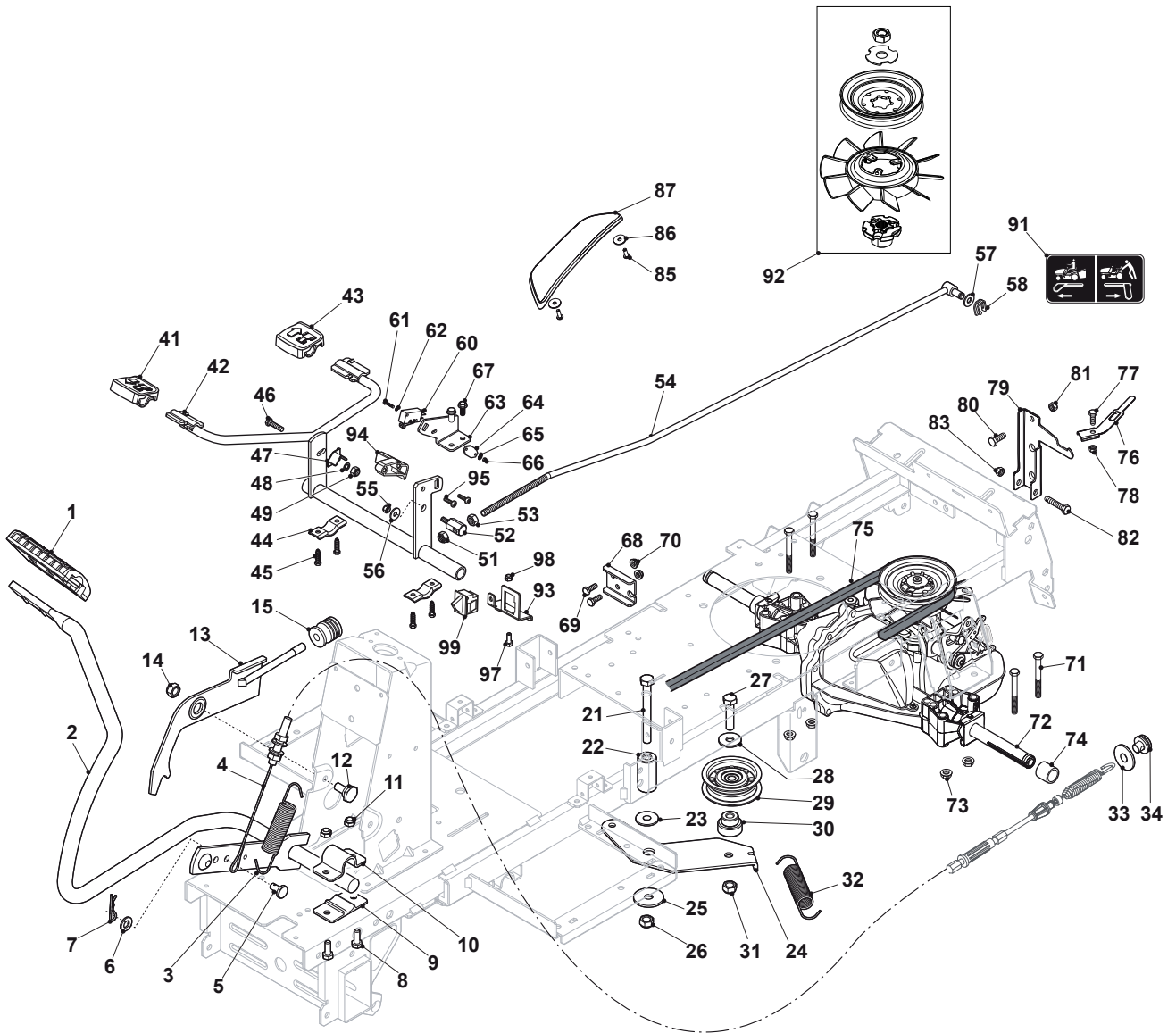


Fig.	Quantity	Part No	Description	Notes
65	2	112540020/0	Washer	
66	2	112290791/0	Nut	
67	2	112735122/1	Screw	
68	1	327772223/0	Bracket	
69	2	112791200/1	Screw	
70	2	112292102/0	Nut	
71	4	112691600/0	Screw	
72	1	118400980/0	Transmission Unit (HydroGear T2-AJBF-2X3C-16X1)	
73	4	112154210/0	Nut	
74	2	127160063/0	Spacer	
75	1	135061429/0	Belt	
76	1	327315137/0	Lever	
77	1	112791011/0	Screw	
78	1	112154510/0	Nut	
79	1	327772187/0	Rear Bracket Support	
80	1	112792611/0	Screw	
81	1	112155000/0	Nut	
82	1	112691400/0	Screw	
83	1	112155000/0	Nut	
85	2	112735110/0	Screw	
86	2	112523030/0	Washer	
87	1	327110507/0	Cover	
91	1	114361451/0	Label	
92	1	118802722/0	Fan Kit	
93	1	327787107/0	Support	
94	1	327063026/0	Cam	
95	2	112735404/0	Screw	
97	1	112791400/0	Screw	
98	1	112292102/0	Nut	
99	1	119410614/0	Microswitch	

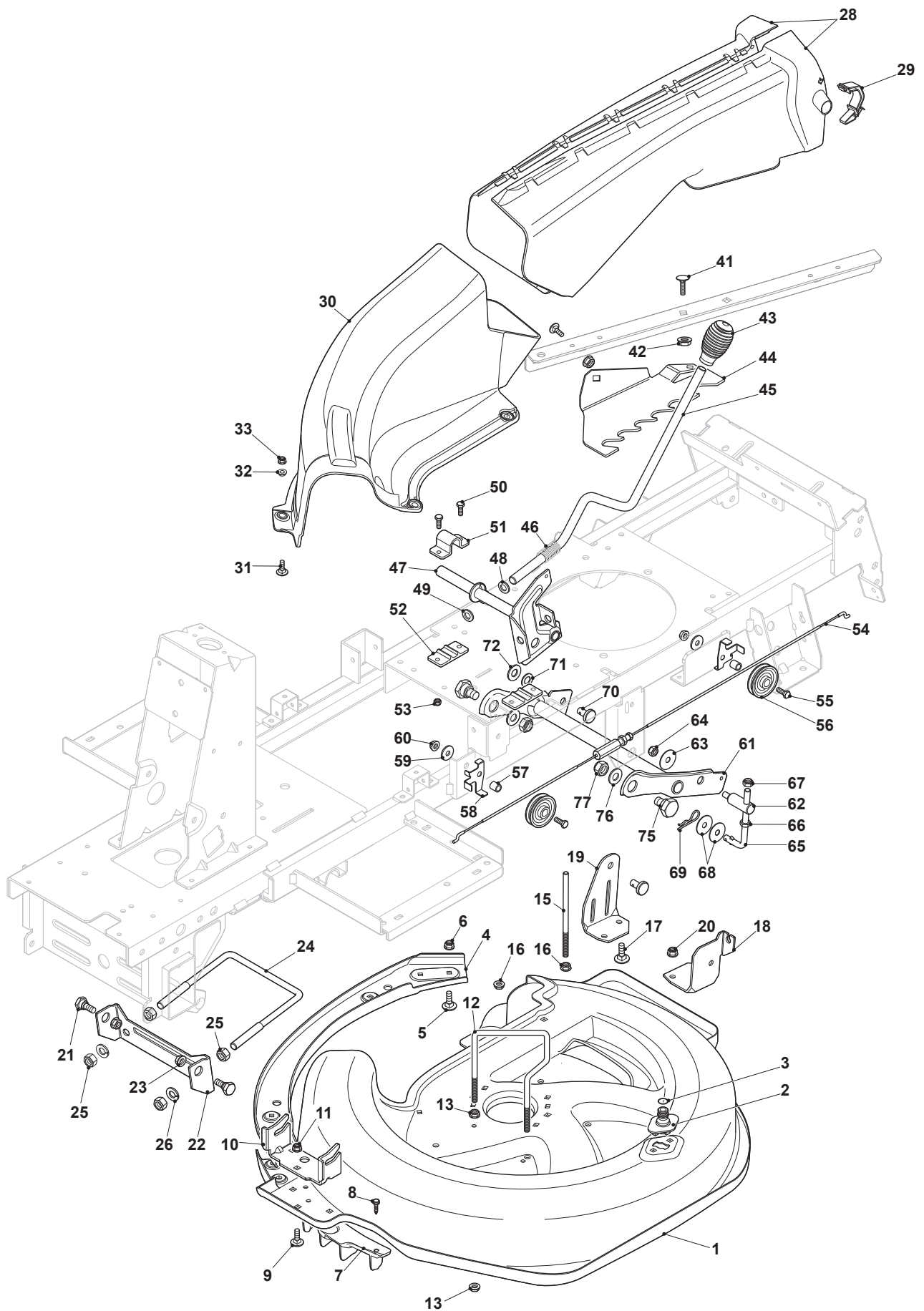
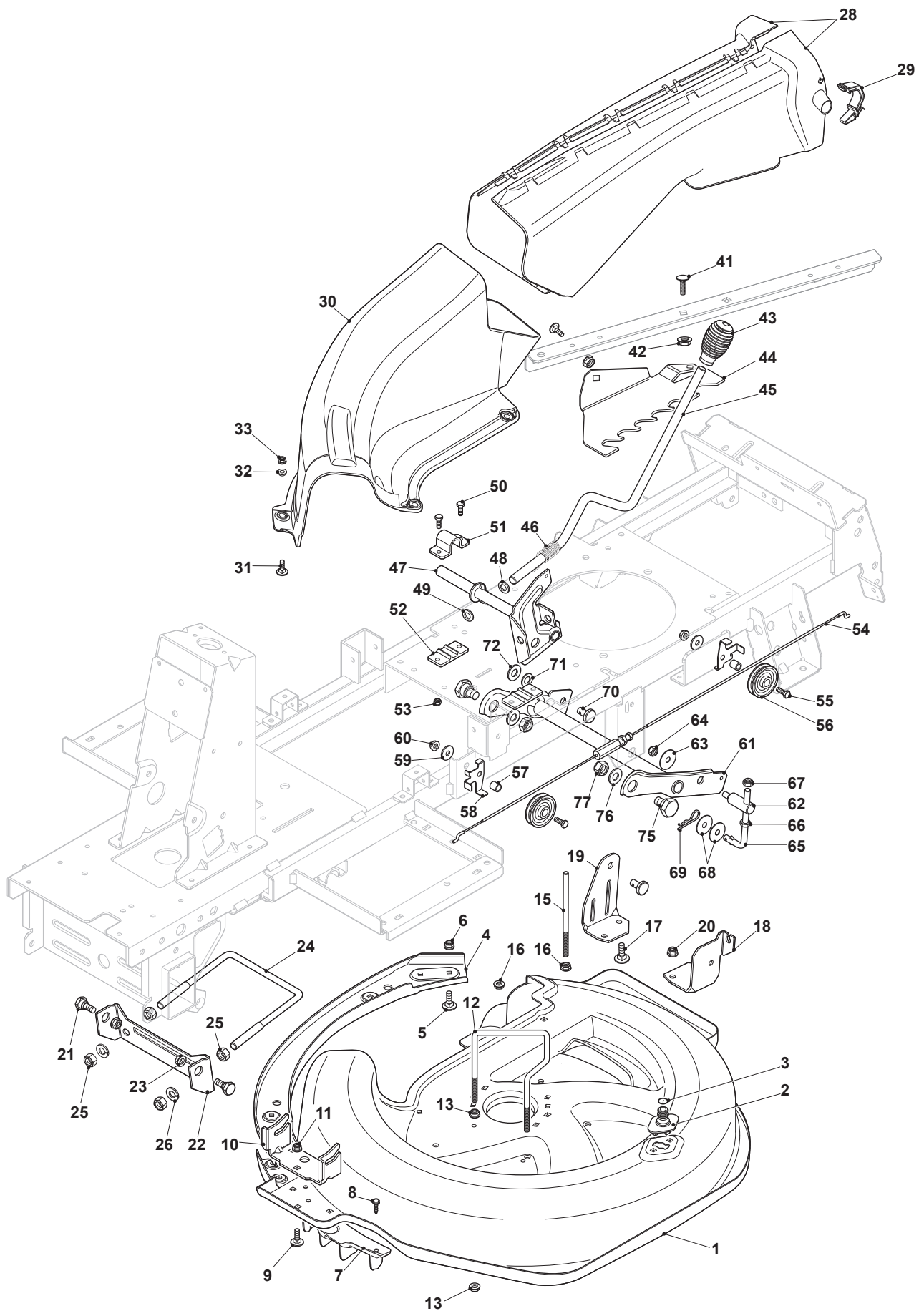


Fig.	Quantity	Part No	Description	Notes
1	1	384564114/0	Cutting Plate, Black	
2	1	325033086/0	Water Hose Connection	
3	1	119035000/0	Or Ring	
4	1	384650107/0	Stiffening	
5	4	112815200/0	Screw	
6	4	112292102/0	Nut	
7	1	327488001/0	Front Combi	
8	3	112735402/0	Screw	
9	3	112818690/0	Screw	
10	1	327772175/0	Front Bracket	
11	3	112154210/0	Nut	
12	1	127294008/0	Belt Guide	
13	4	112292102/0	Nut	
15	1	127580077/0	Belt Guide	
16	2	112293201/0	Nut	
17	4	112818690/0	Screw	
18	1	327772179/0	Bracket, Left	
19	1	327772177/0	Bracket, Right	
20	4	112154210/0	Nut	
21	2	127510121/0	Plate	
22	1	327543043/0	Plate	
23	2	112154210/0	Nut	
24	1	127840056/0	Front Tie Rod	
25	4	112293200/0	Nut	
26	2	112585100/0	Washer	
28	1	384108054/0	Conveyor	
29	2	325774499/0	Clamp	
30	1	327107505/0	Conveyor	
31	4	112815200/0	Screw	
32	4	325160039/0	Spacer	
33	4	112292102/0	Nut	
41	2	112818690/0	Screw	
42	2	112293200/0	Nut	
43	1	125394510/0	Knob	
44	1	327734063/0	Sector, Height Adjustment	Wheels Type A - 13 inch
44	1	327734067/0	Sector, Height Adjustment	Wheels Type B - 11 inch
45	1	327315135/0	Cutting Deck Lifting Lever	
46	1	127430595/0	Spring	
47	1	384001035/1	Fulcrum Axle	
48	1	112521370/0	Washer	
49	1	122020050/0	Ring	
50	4	112791400/0	Screw	
51	2	325547231/0	Plate	
52	2	325785350/0	Support	
53	4	112154510/0	Nut	
54	1	384004605/0	Lifting Wire	Wheels Type A - 13 inch
54	1	384004600/0	Lifting Wire	Wheels Type B - 11 inch
55	2	112691100/0	Screw	
56	2	125601579/0	Pulley	
57	2	125040636/1	Bushing	
58	2	327543037/0	Guide Shoe	



MJ 66 E HYDRO

Ride-on 66 Cutting Plate

Issue 8 - 2015

Fig.	Quantity	Part No	Description	Notes
59	2	112523060/0	Washer	
60	2	112293201/0	Nut	
61	1	384001037/0	Axle	
62	1	127510125/0	Pin	
63	1	322672152/0	Antifriction Washer	
64	2	112155000/0	Nut	
65	1	127840057/0	Tie Rod	
66	4	112295200/0	Nut	
67	2	112155000/0	Nut	
68	2	322672152/0	Antifriction Washer	
69	1	124487998/0	Cotter Pin	
70	1	127510114/0	Pin	
71	1	325670008/1	Washer	
72	1	112521360/0	Washer	
75	2	127510123/0	Pin	
76	2	112521360/0	Washer	
77	2	112156602/0	Nut	

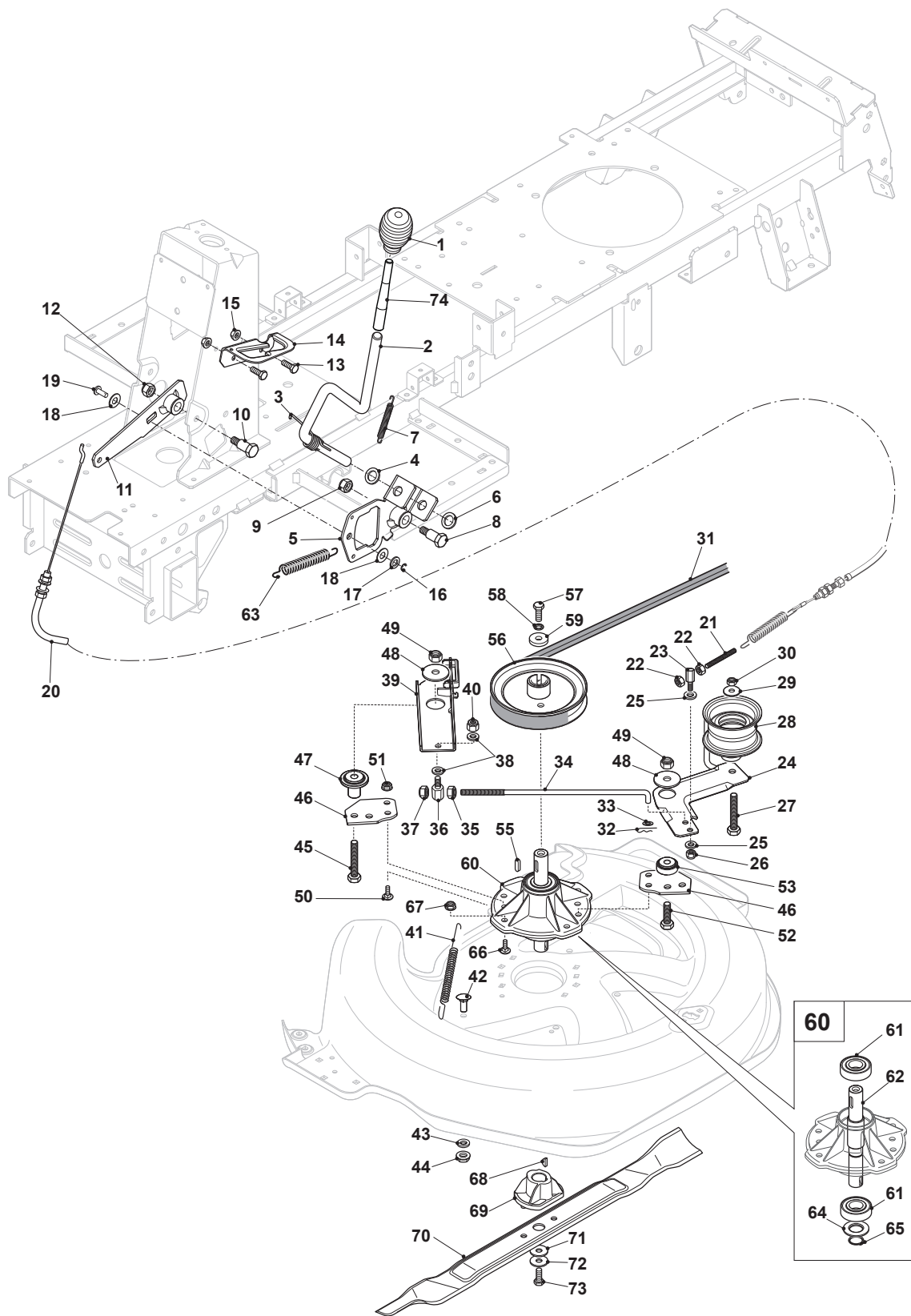


Fig.	Quantity	Part No	Description	Notes
1	1	125394510/0	Knob	
2	1	327315149/0	Lever	
3	1	127430595/0	Spring	
4	1	112521370/0	Washer	
5	1	384317099/0	Lever	
6	1	122020050/0	Ring	
7	1	125430208/1	Spring	
8	1	127510122/0	Bracket	
9	1	112154210/0	Nut	
10	1	127510122/0	Bracket	
11	1	384773577/0	Bracket	
12	1	112154210/0	Nut	
13	2	112815200/0	Screw	
14	1	327734065/0	Sector	
15	2	112292102/0	Nut	
16	1	112000930/0	Benzing Ring	
17	1	112521350/0	Washer	
18	2	325670011/0	Antifriction Washer	
19	1	125510085/1	Pin	
20	1	384004606/0	Blades Engagement Wire	
21	1	127840058/1	Tie Rod	
22	2	112293200/0	Nut	
23	1	127510126/0	Pin	
24	1	384307001/0	Tightener Lever	
25	2	325670011/0	Antifriction Washer	
26	1	112155000/0	Nut	
27	1	112691600/0	Screw	
28	1	127604008/0	Pulley	
29	1	112523060/0	Washer	
30	1	112155000/0	Nut	
31	1	135061428/0	Belt	
32	1	124487995/0	Cotter Pin	
33	1	325670011/0	Antifriction Washer	
34	1	127034085/0	Connecting Rod	
35	1	112293200/0	Nut	
36	1	127510126/0	Pin	
37	1	112155000/0	Nut	
38	2	325670011/0	Antifriction Washer	
39	1	384220505/0	Blade Brake	
40	1	112155000/0	Nut	
41	1	127430592/0	Brake Spring	
42	1	112818690/0	Screw	
43	1	112521350/0	Washer	
44	1	112293201/0	Nut	
45	1	112692395/1	Screw	
46	2	327772191/0	Bracket	
47	1	127047021/0	Bushing	
48	2	112523090/0	Washer	
49	2	112155020/0	Nut	
50	4	112818700/0	Screw	
51	4	112154210/0	Nut	

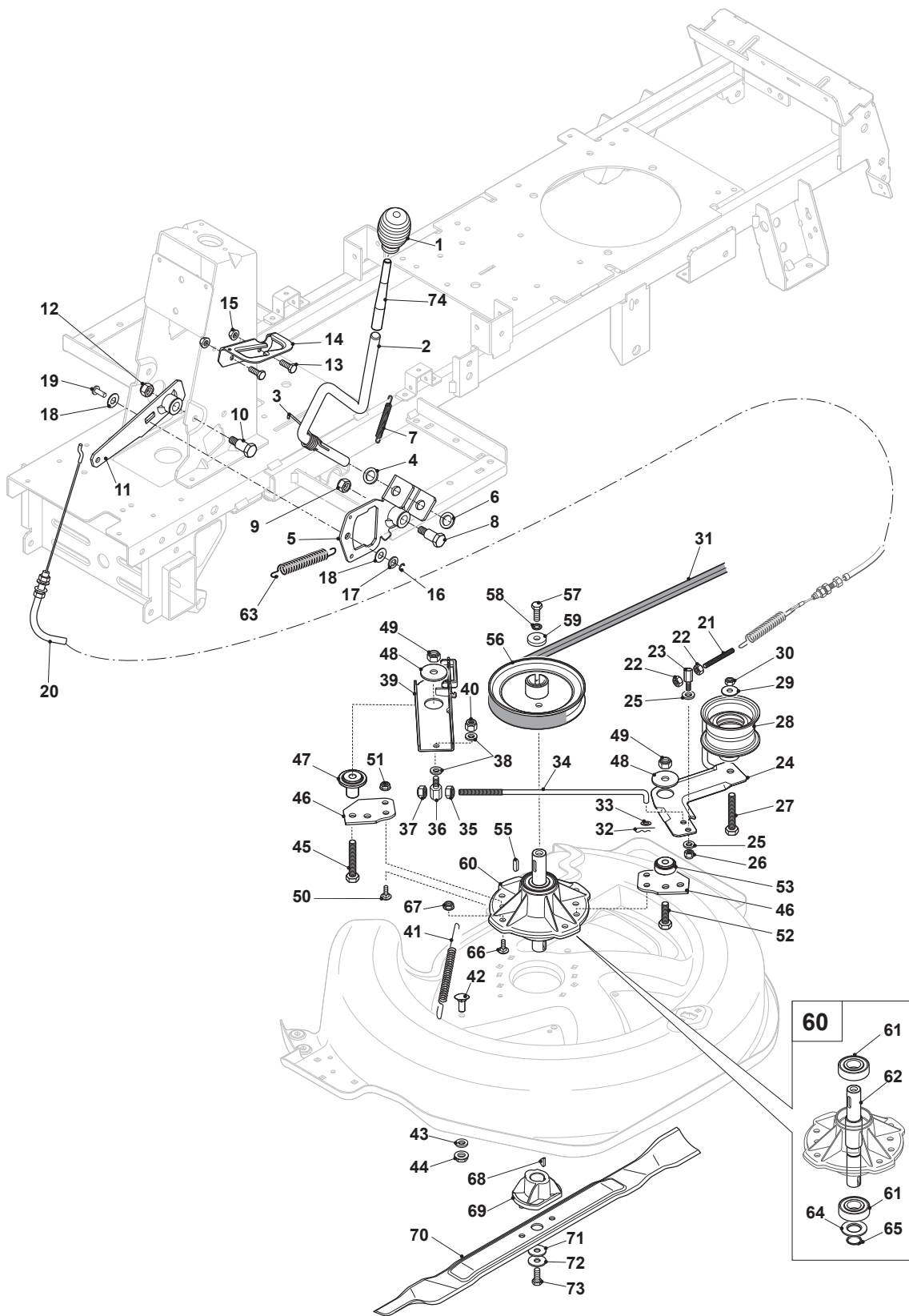
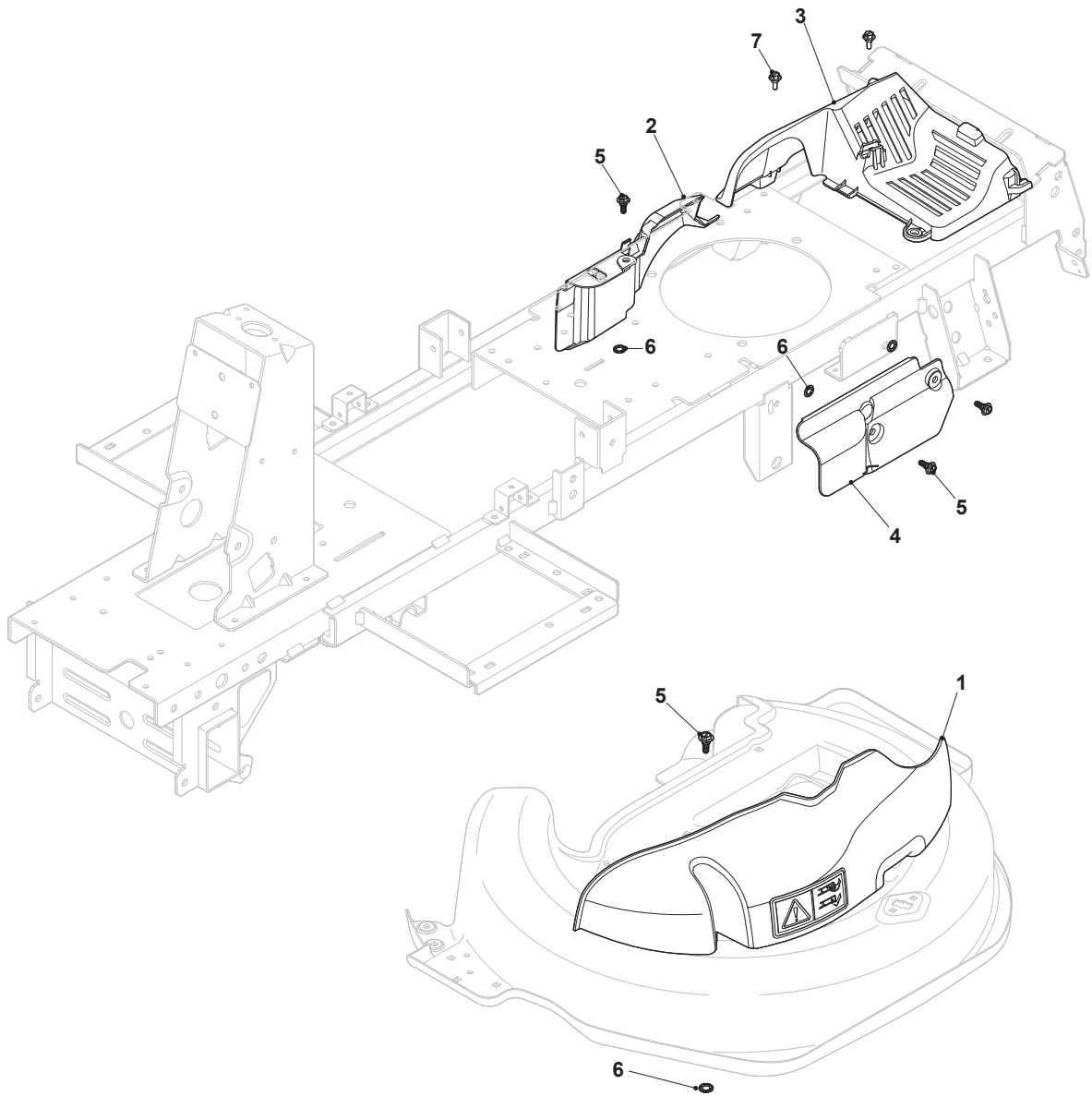


Fig.	Quantity	Part No	Description	Notes
52	1	112794400/0	Screw	
53	1	127047017/0	Bushing	
55	1	112139480/0	Feather	
56	1	127604014/0	Pulley	
57	1	112793102/0	Screw	
58	1	112583500/0	Grower	
59	1	125670007/0	Washer	
60	1	384207251/0	Blade Shaft Support	
61	2	119216040/0	Bearing	
62	1	127023003/0	Shaft	
63	1	125430259/0	Spring	
64	1	325160501/0	Dust Cover Disc	
65	1	112609260/0	Seeger	
66	4	112818700/0	Screw	
67	4	112154210/0	Nut	
68	1	112139100/0	Feather, Crankshaft Ø 22,2	
69	1	125463200/0	Blade Hub	
70	1	184109505/0	Blade Winged	
71	1	112508125/0	Elastic Washer	
72	1	112523080/0	Washer	
73	1	112735694/0	Screw	
74	1	327315151/0	Lever	
74	1	327315151/1	Lever	



MJ 66 E HYDRO

Ride-on 66 Guards

Issue 8 - 2015

Fig.	Quantity	Part No	Description	Notes
1	1	327060111/1	Protection Carter	
2	1	327060109/0	Right Belt Protection Carter	
3	1	327060108/1	Transmission Plate Protection	
4	1	327060110/0	Left Belt Protection	
5	5	125943011/0	Screw	
6	4	112604899/0	Crown Fastener	
7	2	125943010/0	Screw	

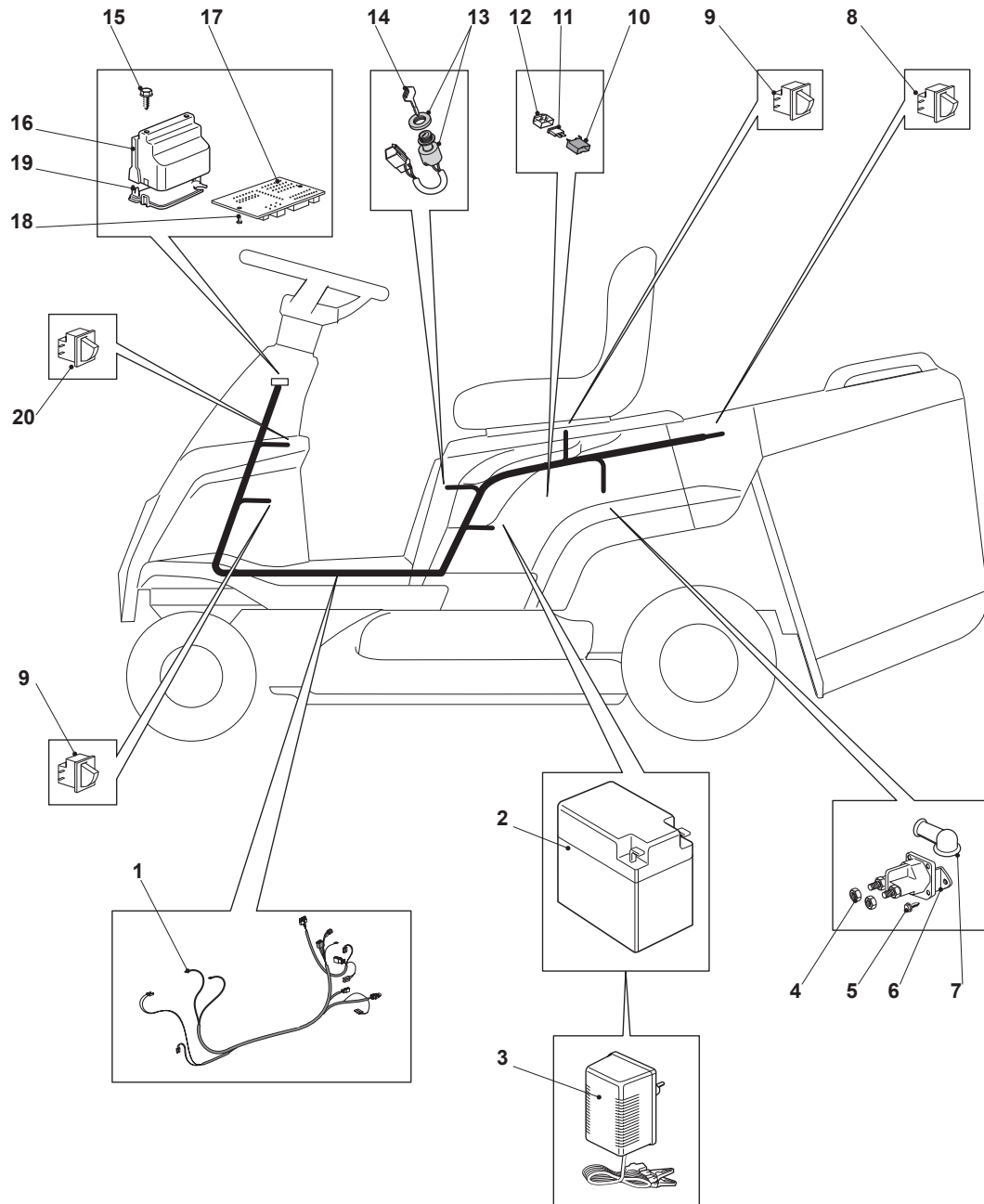


Fig.	Quantity	Part No	Description	Notes
2	1	118120012/0	Battery	
3	1	182180051/0	Battery Charger Kit	CE plug
3	1	182180053/0	Battery Charger	UK plug
4	2	112360352/0	Nut	
5	2	112735110/0	Screw	
6	1	118736110/0	Starter Relay	
7	2	118564861/1	Protection	
8	1	119410618/0	Microswitch	
9	2	119410606/0	Microswitch	
10	1	133500007/0	Fuse Carrier	
11	1	133340040/0	Fuse 10 A	
12	1	133215000/0	Cover	
13	1	118450075/1	Starting Switch	
14	1	118210023/0	Starting Key	
15	2	112728711/0	Screw	
16	1	127600119/0	Electronic Card Upper Protecti	
18	2	112729601/1	Screw	
19	1	127600118/0	Electronic Card Lower Protection	
20	1	119410614/0	Microswitch	
1	1	184040139/0	Cables Ass.Y	
17	1	127722359/0	Electronic Card	

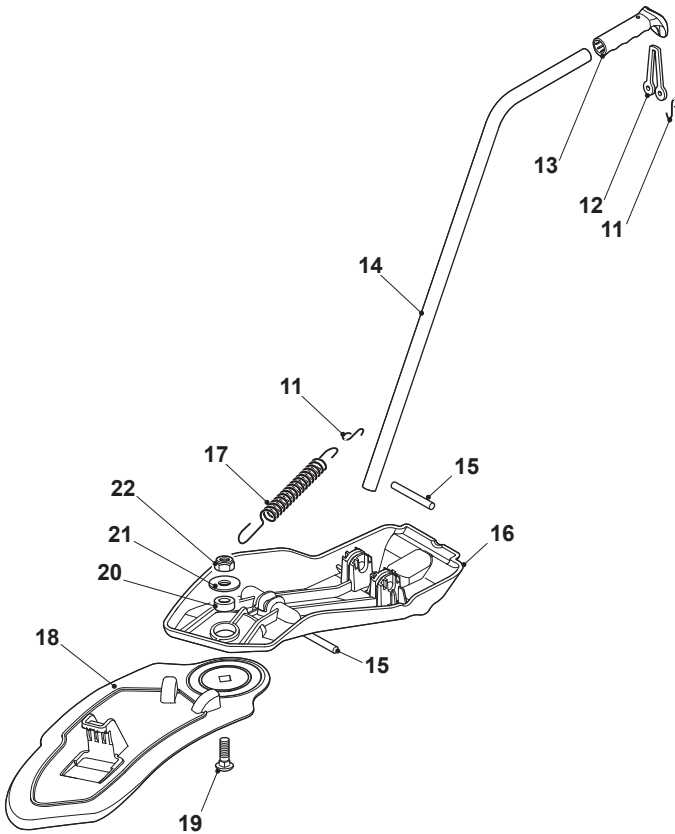
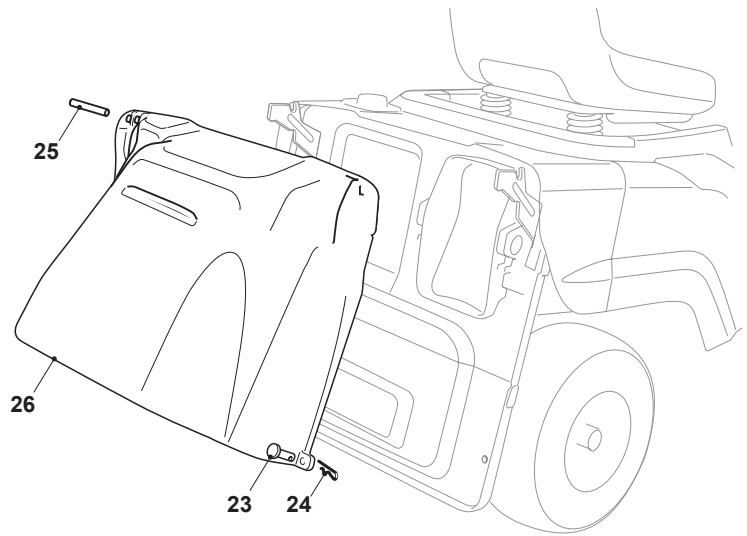
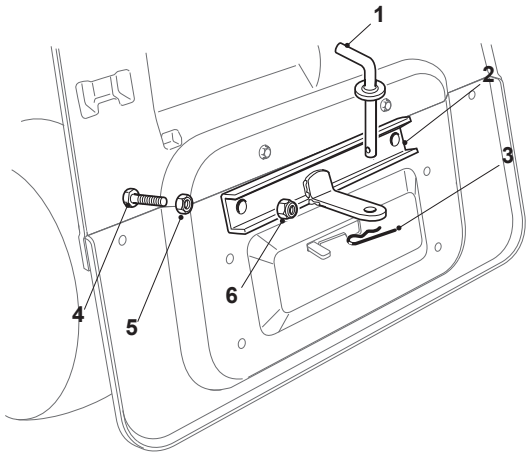
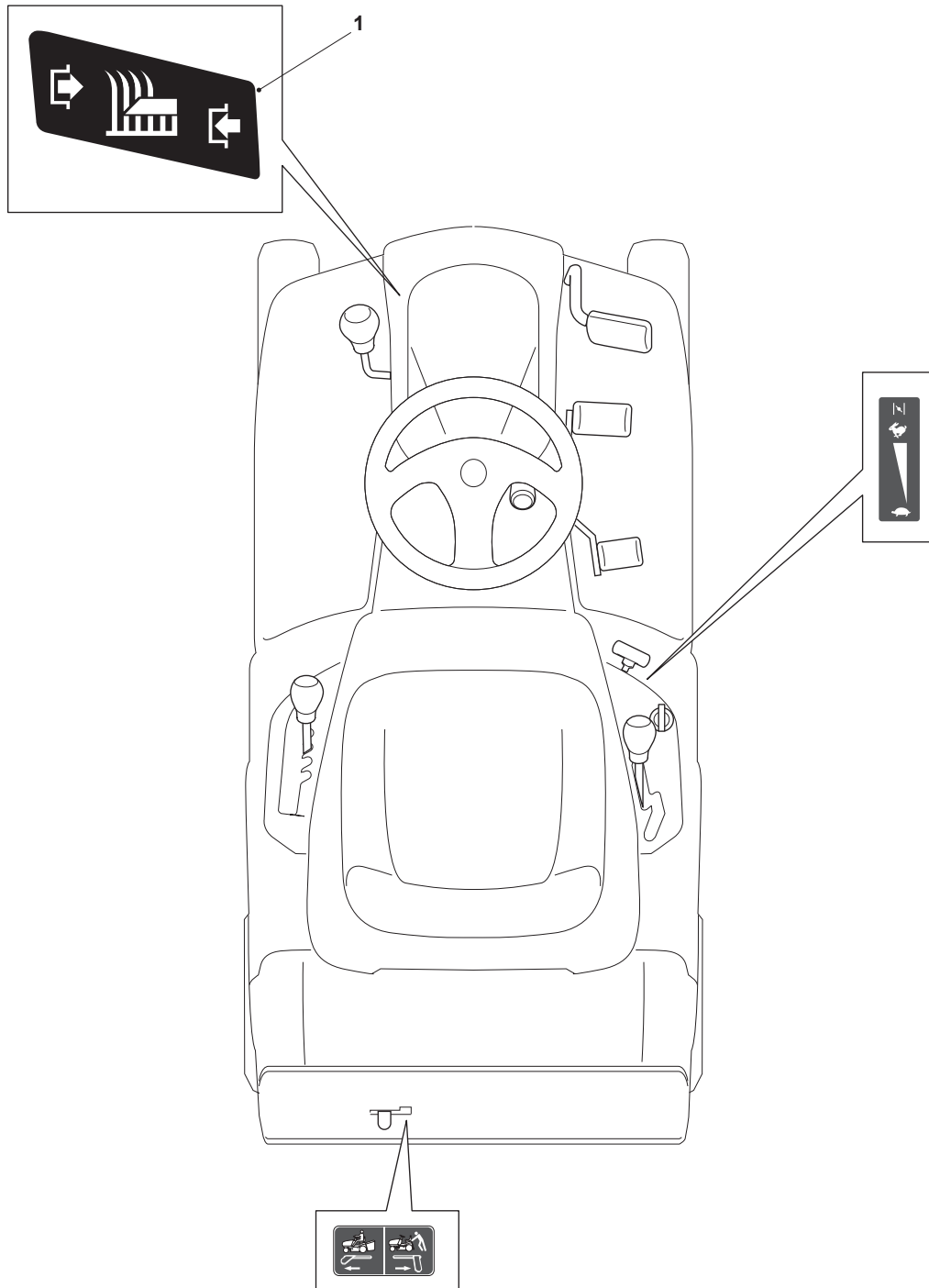


Fig.	Quantity	Part No	Description	Notes
1	1	125510021/1	Hitch Pin	
2	1	382033109/0	Rod	
3	1	124487999/0	Spring Pin	
4	2	112794300/0	Screw	
5	2	112295200/0	Nut	
6	2	112156602/0	Nut	
11	3	125253004/0	Mulch.Kit Fixing Hook	
12	1	125840011/1	Tie Rod	
13	1	325280000/1	Handgrip	
14	1	327394003/2	Handle	
15	2	127510116/0	Pin	
16	1	327140058/0	Deflettore Post.	
17	1	125430218/1	Spring	
18	1	327140057/0	Deflettore Anter.	
19	1	112818700/0	Screw	
20	1	127047013/0	Bushing	
21	1	322672152/0	Antifriction Washer	
22	1	112155000/0	Nut	
23	2	125510022/1	Pin	
24	2	124487998/0	Cotter Pin	
25	2	127510127/0	Pin	
26	1	327600181/0	Stone Guard, Black	



MJ 66 E HYDRO

Ride-on 66 Labels

Issue 8 - 2015

Fig.	Quantity	Part No	Description	Notes
1	1	114366875/0	Label	

code	pos.	q.ty	page									
112000930/0	16	1	p. 27	112293201/0	22	2	p. 7	112691900/0	21	1	p. 19	
112000970/0	25	2	p. 11	112293201/0	26	8	p. 7	112692395/1	45	1	p. 27	
112000970/0	61	2	p. 13	112293201/0	44	1	p. 27	112726388/0	3	1	p. 15	
112001010/0	67	2	p. 13	112293201/0	44	4	p. 11	112726388/0	3	1	p. 17	
112139100/0	68	1	p. 29	112295200/0	60	2	p. 25	112727801/0	14	6	p. 3	
112139480/0	55	1	p. 29	112295200/0	5	2	p. 35	112727801/0	20	1	p. 15	
112154210/0	9	1	p. 27	112295200/0	30	1	p. 11	112727801/0	20	1	p. 17	
112154210/0	11	3	p. 23	112295200/0	66	4	p. 25	112727801/0	46	3	p. 7	
112154210/0	12	1	p. 27	112360352/0	4	2	p. 33	112728300/0	6	4	p. 3	
112154210/0	14	1	p. 19	112436050/0	58	1	p. 19	112728300/0	11	2	p. 3	
112154210/0	15	1	p. 17	112437507/0	17	10	p. 3	112728300/0	15	6	p. 3	
112154210/0	20	4	p. 23	112437507/0	49	2	p. 7	112728300/0	18	10	p. 3	
112154210/0	23	2	p. 23	112508125/0	71	1	p. 29	112728300/0	42	4	p. 7	
112154210/0	38	4	p. 7	112521330/0	48	1	p. 19	112728300/0	44	1	p. 7	
112154210/0	40	4	p. 7	112521330/0	55	1	p. 13	112728300/0	47	2	p. 7	
112154210/0	51	4	p. 27	112521350/0	6	1	p. 19	112728440/0	64	1	p. 9	
112154210/0	67	4	p. 29	112521350/0	14	1	p. 17	112728686/0	10	2	p. 7	
112154210/0	73	4	p. 21	112521350/0	14	2	p. 7	112728706/0	7	1	p. 7	
112154510/0	11	4	p. 19	112521350/0	17	1	p. 27	112728711/0	15	2	p. 33	
112154510/0	28	8	p. 7	112521350/0	18	4	p. 11	112729601/1	18	2	p. 33	
112154510/0	38	3	p. 15	112521350/0	43	1	p. 27	112731350/0	45	4	p. 19	
112154510/0	38	3	p. 17	112521360/0	33	1	p. 19	112735108/1	11	3	p. 15	
112154510/0	49	1	p. 19	112521360/0	72	1	p. 25	112735109/1	11	2	p. 17	
112154510/0	53	4	p. 23	112521360/0	76	2	p. 25	112735110/0	5	2	p. 33	
112154510/0	54	1	p. 11	112521370/0	4	1	p. 27	112735110/0	8	1	p. 15	
112154510/0	56	1	p. 19	112521370/0	48	1	p. 23	112735110/0	8	4	p. 17	
112154510/0	78	1	p. 21	112521390/0	62	2	p. 13	112735110/0	85	2	p. 21	
112155000/0	22	1	p. 35	112523030/0	86	2	p. 21	112735121/0	9	2	p. 11	
112155000/0	26	1	p. 19	112523040/0	21	1	p. 15	112735122/1	37	4	p. 11	
112155000/0	26	1	p. 27	112523040/0	21	1	p. 17	112735122/1	40	4	p. 11	
112155000/0	30	1	p. 27	112523040/0	55	1	p. 19	112735122/1	67	2	p. 21	
112155000/0	31	1	p. 19	112523060/0	28	1	p. 19	112735402/0	8	3	p. 23	
112155000/0	37	1	p. 27	112523060/0	29	1	p. 27	112735402/0	9	14	p. 3	
112155000/0	40	1	p. 27	112523060/0	29	4	p. 3	112735404/0	95	2	p. 21	
112155000/0	51	1	p. 19	112523060/0	59	2	p. 25	112735599/0	6	1	p. 15	
112155000/0	64	2	p. 25	112523070/0	4	1	p. 11	112735599/0	6	1	p. 17	
112155000/0	67	2	p. 25	112523070/0	25	1	p. 19	112735602/0	61	2	p. 19	
112155000/0	81	1	p. 21	112523080/0	27	2	p. 11	112735694/0	31	1	p. 15	
112155000/0	83	1	p. 21	112523080/0	72	1	p. 29	112735694/0	31	1	p. 17	
112155010/0	3	2	p. 7	112523090/0	48	2	p. 27	112735694/0	73	1	p. 29	
112155020/0	49	2	p. 27	112540020/0	65	2	p. 21	112736850/0	31	1	p. 15	
112156602/0	6	2	p. 35	112540040/0	7	1	p. 15	112736850/0	31	1	p. 17	
112156602/0	77	2	p. 25	112540040/0	7	1	p. 17	112791011/0	77	1	p. 21	
112290791/0	66	2	p. 21	112540070/0	12	2	p. 17	112791200/1	27	8	p. 7	
112290800/0	5	1	p. 15	112540070/0	12	3	p. 15	112791200/1	32	2	p. 11	
112290800/0	5	1	p. 17	112540260/0	3	1	p. 11	112791200/1	35	4	p. 11	
112292102/0	6	4	p. 23	112543000/0	32	1	p. 15	112791200/1	37	3	p. 15	
112292102/0	13	4	p. 23	112543000/0	32	1	p. 17	112791200/1	37	3	p. 17	
112292102/0	15	2	p. 27	112581100/0	62	2	p. 19	112791200/1	45	2	p. 11	
112292102/0	33	4	p. 23	112583500/0	28	4	p. 3	112791200/1	69	2	p. 21	
112292102/0	34	2	p. 11	112583500/0	58	1	p. 29	112791400/0	8	4	p. 19	
112292102/0	36	4	p. 11	112585100/0	26	2	p. 23	112791400/0	46	1	p. 19	
112292102/0	47	2	p. 11	112585100/0	29	1	p. 11	112791400/0	50	4	p. 23	
112292102/0	53	8	p. 11	112604896/0	59	2	p. 9	112791400/0	62	2	p. 9	
112292102/0	63	2	p. 9	112604899/0	6	4	p. 31	112791400/0	97	1	p. 21	
112292102/0	70	2	p. 21	112609260/0	65	1	p. 29	112792611/0	42	4	p. 11	
112292102/0	98	1	p. 21	112620210/0	16	2	p. 11	112792611/0	80	1	p. 21	
112293200/0	22	2	p. 27	112620300/0	12	1	p. 11	112793101/0	27	4	p. 3	
112293200/0	25	4	p. 23	112691100/0	55	2	p. 23	112793102/0	57	1	p. 29	
112293200/0	35	1	p. 27	112691115/0	27	1	p. 19	112794300/0	4	2	p. 35	
112293200/0	42	2	p. 23	112691115/0	39	4	p. 7	112794400/0	52	1	p. 29	
112293200/0	53	1	p. 19	112691200/0	13	1	p. 17	112794950/0	26	1	p. 11	
112293201/0	16	2	p. 23	112691400/0	13	2	p. 7	112815200/0	5	4	p. 23	
112293201/0	19	2	p. 7	112691400/0	82	1	p. 21	112815200/0	13	2	p. 27	
				112691600/0	27	1	p. 27	112815200/0	31	4	p. 23	
				112691600/0	71	4	p. 21	112818690/0	9	3	p. 23	

code	pos.	q.ty	page									
112818690/0	17	4	p. 23	125430218/1	17	1	p. 35	127510124/0	34	1	p. 19	
112818690/0	20	2	p. 7	125430259/0	63	1	p. 29	127510125/0	62	1	p. 25	
112818690/0	25	8	p. 7	125430263/0	16	2	p. 7	127510126/0	23	1	p. 27	
112818690/0	41	2	p. 23	125463200/0	69	1	p. 29	127510126/0	36	1	p. 27	
112818690/0	42	1	p. 27	125510021/1	1	1	p. 35	127510127/0	25	2	p. 35	
112818700/0	19	1	p. 35	125510022/1	23	2	p. 35	127580077/0	15	1	p. 23	
112818700/0	50	4	p. 27	125510085/1	19	1	p. 27	127590067/0	66	2	p. 13	
112818700/0	66	4	p. 29	125590000/0	64	2	p. 13	127590068/0	71	2	p. 13	
112819105/0	32	4	p. 7	125590000/0	70	2	p. 13	127600118/0	19	1	p. 33	
114361451/0	91	1	p. 21	125590018/0	66	2	p. 13	127600119/0	16	1	p. 33	
114366873/0	35	1	p. 15	125590018/0	71	2	p. 13	127604008/0	28	1	p. 27	
114366874/0	35	1	p. 15	125601579/0	56	2	p. 23	127604014/0	56	1	p. 29	
114366875/0	1	1	p. 37	125670005/2	68	4	p. 13	127604015/0	29	1	p. 19	
114366904/0	35	1	p. 17	125670007/0	59	1	p. 29	127722359/0	17	1	p. 33	
114366905/0	35	1	p. 17	125670023/0	7	2	p. 11	127790000/1	16	1	p. 15	
118120012/0	2	1	p. 33	125722453/1	37	1	p. 5	127790000/1	16	1	p. 17	
118203854/0	4	2	p. 7	125722456/0	39	1	p. 5	127840055/0	2	1	p. 11	
118210023/0	14	1	p. 33	125722463/0	36	1	p. 5	127840056/0	24	1	p. 23	
118375051/1	23	4	p. 15	125722470/0	40	1	p. 5	127840057/0	65	1	p. 25	
118375051/1	23	4	p. 17	125722471/0	38	1	p. 5	127840058/1	21	1	p. 27	
118400980/0	72	1	p. 21	125722472/0	35	1	p. 5	133215000/0	12	1	p. 33	
118450075/1	13	1	p. 33	125722477/0	41	1	p. 5	133340040/0	11	1	p. 33	
118562996/0	10	1	p. 15	125840011/1	12	1	p. 35	133500007/0	10	1	p. 33	
118562996/0	10	1	p. 17	125943004/0	15	2	p. 11	135061428/0	31	1	p. 27	
118564861/1	7	2	p. 33	125943010/0	4	4	p. 3	135061429/0	75	1	p. 21	
118736110/0	6	1	p. 33	125943010/0	7	2	p. 31	182180051/0	3	1	p. 33	
118738251/0	9	1	p. 17	125943010/0	19	6	p. 3	182180053/0	3	1	p. 33	
118738252/0	9	1	p. 15	125943010/0	22	2	p. 15	184000256/0	1	1	p. 15	
118802722/0	92	1	p. 21	125943010/0	22	2	p. 17	184000256/0	1	1	p. 17	
119035000/0	3	1	p. 23	125943010/0	48	2	p. 7	184040139/0	1	1	p. 33	
119216040/0	61	2	p. 29	125943011/0	5	5	p. 31	184044013/0	69	2	p. 13	
119410606/0	9	2	p. 33	125943012/0	2	2	p. 15	184044014/0	65	2	p. 13	
119410606/0	11	1	p. 7	125943012/0	2	2	p. 17	184044015/0	65	2	p. 13	
119410609/0	60	1	p. 19	127023003/0	62	1	p. 29	184106074/0	26	1	p. 3	
119410614/0	20	1	p. 33	127034085/0	34	1	p. 27	184109505/0	70	1	p. 29	
119410614/0	58	1	p. 9	127034091/0	17	2	p. 11	322545142/0	43	2	p. 7	
119410614/0	99	1	p. 21	127047013/0	20	1	p. 35	322672152/0	21	1	p. 35	
119410618/0	8	1	p. 33	127047017/0	53	1	p. 29	322672152/0	63	1	p. 25	
122020050/0	6	1	p. 27	127047019/0	24	4	p. 11	322672152/0	68	2	p. 25	
122020050/0	49	1	p. 23	127047021/0	47	1	p. 27	325033086/0	2	1	p. 23	
122041980/0	23	1	p. 19	127063022/0	47	1	p. 19	325110274/0	41	1	p. 19	
122450457/0	61	1	p. 9	127160060/0	5	1	p. 11	325110331/0	43	1	p. 19	
122517866/0	60	1	p. 9	127160062/0	28	1	p. 11	325110409/0	1	1	p. 19	
122524970/3	2	2	p. 7	127160063/0	74	2	p. 21	325160039/0	32	4	p. 23	
122524970/3	12	1	p. 19	127160064/0	30	1	p. 19	325160501/0	64	1	p. 29	
122675110/0	30	2	p. 7	127160065/0	22	1	p. 19	325280000/1	13	1	p. 35	
122675110/0	39	2	p. 15	127275000/0	39	1	p. 11	325547231/0	10	2	p. 19	
122675110/0	39	2	p. 17	127294008/0	12	1	p. 23	325547231/0	51	2	p. 23	
122746617/0	8	1	p. 11	127294009/0	51	1	p. 11	325580503/0	31	1	p. 5	
124487995/0	22	4	p. 11	127294010/1	52	2	p. 11	325580504/0	32	1	p. 5	
124487995/0	32	1	p. 27	127395050/1	15	1	p. 19	325670008/1	71	1	p. 25	
124487997/0	7	1	p. 19	127430589/0	6	2	p. 7	325670011/0	18	2	p. 27	
124487997/0	56	1	p. 13	127430592/0	41	1	p. 27	325670011/0	25	2	p. 27	
124487998/0	24	2	p. 35	127430594/0	3	1	p. 19	325670011/0	33	1	p. 27	
124487998/0	69	1	p. 25	127430594/0	32	1	p. 19	325670011/0	38	2	p. 27	
124487999/0	3	1	p. 35	127430595/0	3	1	p. 27	325670011/0	57	1	p. 19	
125040636/1	57	2	p. 23	127430595/0	46	1	p. 23	325774499/0	29	2	p. 23	
125160048/0	17	2	p. 7	127430600/0	45	1	p. 7	325785350/0	9	2	p. 19	
125253004/0	11	3	p. 35	127510103/0	52	1	p. 19	325785350/0	52	2	p. 23	
125394501/0	4	1	p. 15	127510103/0	52	1	p. 19	325785379/1	12	1	p. 7	
125394501/0	4	1	p. 17	127510114/0	70	1	p. 25	325785419/0	6	1	p. 11	
125394510/0	1	1	p. 27	127510116/0	15	2	p. 35	325869035/1	24	1	p. 15	
125394510/0	43	1	p. 23	127510120/0	5	1	p. 19	325869035/1	24	1	p. 17	
125430208/1	7	1	p. 27	127510121/0	21	2	p. 23	325961220/0	1	1	p. 3	
				127510122/0	8	1	p. 27	327010209/0	24	2	p. 7	
				127510122/0	10	1	p. 27	327045072/0	19	4	p. 11	
				127510123/0	75	2	p. 25					

code	pos.	q.ty	page									
327045074/0	14	1	p. 11	327543039/0	23	1	p. 7	384601500/1	33	1	p. 15	
327060108/1	3	1	p. 31	327543043/0	22	1	p. 23	384601500/1	33	1	p. 17	
327060109/0	2	1	p. 31	327543047/0	15	1	p. 7	384601501/1	33	1	p. 15	
327060110/0	4	1	p. 31	327543053/1	63	1	p. 19	384601501/1	33	1	p. 17	
327060111/1	1	1	p. 31	327546015/2	44	2	p. 19	384650107/0	4	1	p. 23	
327063026/0	94	1	p. 21	327546019/0	64	1	p. 19	384680073/0	63	2	p. 13	
327107505/0	30	1	p. 23	327580500/0	31	2	p. 11	384680074/0	63	2	p. 13	
327110480/1	16	1	p. 3	327600180/0	17	1	p. 15	384680075/0	72	2	p. 13	
327110481/1	21	1	p. 3	327600180/0	17	1	p. 17	384680076/0	72	2	p. 13	
327110483/0	5	1	p. 3	327600181/0	26	1	p. 35	384773575/0	11	1	p. 11	
327110484/0	25	1	p. 3	327650131/0	21	2	p. 7	384773577/0	11	1	p. 27	
327110485/0	25	1	p. 3	327650133/0	53	3	p. 9	384783059/0	43	1	p. 11	
327110486/0	2	1	p. 3	327733008/0	19	1	p. 15	384783061/0	38	1	p. 11	
327110487/0	2	1	p. 3	327733008/0	19	1	p. 17	384801145/0	51	1	p. 7	
327110488/0	12	1	p. 3	327734063/0	44	1	p. 23	384801147/0	52	1	p. 7	
327110489/0	12	1	p. 3	327734065/0	14	1	p. 27					
327110490/0	13	1	p. 3	327734067/0	44	1	p. 23					
327110491/0	13	1	p. 3	327737500/0	5	2	p. 7					
327110492/0	3	1	p. 3	327772165/1	41	1	p. 11					
327110493/0	3	1	p. 3	327772171/0	34	1	p. 7					
327110494/0	22	1	p. 3	327772175/0	10	1	p. 23					
327110495/0	22	1	p. 3	327772177/0	19	1	p. 23					
327110507/0	87	1	p. 21	327772179/0	18	1	p. 23					
327110508/0	8	1	p. 7	327772187/0	79	1	p. 21					
327110510/0	3	1	p. 3	327772191/0	46	2	p. 27					
327110511/0	12	1	p. 3	327772199/0	33	1	p. 11					
327110512/0	13	1	p. 3	327772209/0	46	1	p. 11					
327110513/0	25	1	p. 3	327772213/0	35	1	p. 7					
327110514/0	22	1	p. 3	327772215/1	37	1	p. 7					
327110517/1	16	1	p. 3	327772223/0	68	1	p. 21					
327110518/0	5	1	p. 3	327772225/0	36	1	p. 7					
327110519/0	2	1	p. 3	327772239/0	36	1	p. 15					
327110521/1	16	1	p. 3	327772239/0	36	1	p. 17					
327110522/0	5	1	p. 3	327772241/0	56	1	p. 9					
327110528/0	3	1	p. 3	327787089/0	18	1	p. 7					
327110529/0	12	1	p. 3	327787091/0	10	1	p. 11					
327110530/0	13	1	p. 3	327787107/0	93	1	p. 21					
327110531/0	25	1	p. 3	327869054/1	18	1	p. 15					
327110532/0	22	1	p. 3	327869054/1	18	1	p. 17					
327110533/0	12	1	p. 3	327869061/0	23	1	p. 11					
327110534/0	13	1	p. 3	327869063/0	31	2	p. 7					
327110535/0	25	1	p. 3	327951200/0	34	1	p. 17					
327110536/0	22	1	p. 3	382033109/0	2	1	p. 35					
327110566/0	10	1	p. 5	382547061/0	1	1	p. 7					
327110567/0	10	1	p. 5	384001035/1	47	1	p. 23					
327110568/0	10	1	p. 5	384001037/0	61	1	p. 25					
327140057/0	18	1	p. 35	384002095/0	54	1	p. 19					
327140058/0	16	1	p. 35	384002097/0	13	1	p. 19					
327315135/0	45	1	p. 23	384004600/0	54	1	p. 23					
327315137/0	76	1	p. 21	384004604/0	4	1	p. 19					
327315139/0	24	1	p. 19	384004605/0	54	1	p. 23					
327315149/0	2	1	p. 27	384004606/0	20	1	p. 27					
327315151/0	74	1	p. 29	384108054/0	28	1	p. 23					
327315151/1	74	1	p. 29	384180218/1	55	1	p. 9					
327394003/2	14	1	p. 35	384180219/0	1	1	p. 11					
327394004/0	24	1	p. 3	384207251/0	60	1	p. 29					
327488001/0	7	1	p. 23	384220505/0	39	1	p. 27					
327500065/0	57	1	p. 9	384230409/0	21	1	p. 11					
327500500/0	8	1	p. 3	384230411/0	20	1	p. 11					
327500501/0	7	1	p. 3	384307001/0	24	1	p. 27					
327543025/0	50	1	p. 7	384317099/0	5	1	p. 27					
327543027/0	41	1	p. 7	384394751/1	9	1	p. 7					
327543029/0	33	4	p. 7	384503011/1	42	1	p. 19					
327543037/0	58	2	p. 23	384503013/0	2	1	p. 19					
				384520051/0	13	1	p. 11					
				384564114/0	1	1	p. 23					