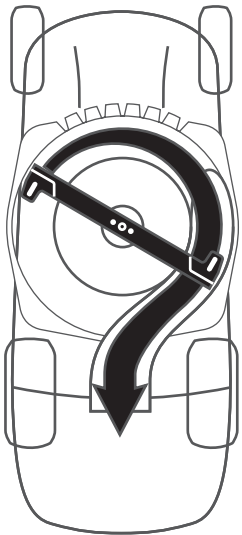
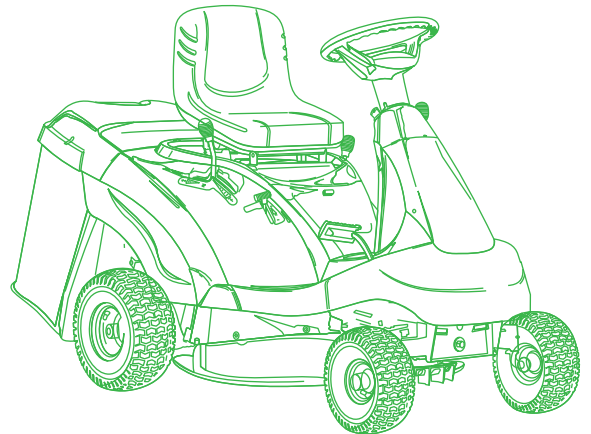


Genuine Spare Parts



72



Catalogo delle parti di ricambio
Spare parts catalogue
Catalogue des pieces de rechange
Ersatzteilkatalog

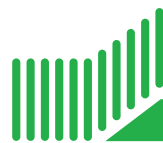
2011

- Use GLOBAL GARDEN PRODUCT Genuine Spare Parts specified in the parts list for repair and/or replacement.
- The contents described in the parts list may change due to improvement.
- The drawings of the spare parts are only indicative and might not represent the part in question exactly.
- The indications "right" - "left" - "front" - "rear" refer to the position of the operator when using the machine.
- When placing orders of parts for repair and/or replacement, make sure that the illustrated parts list is the one applying to the machine's year of manufacture, as shown on the identification plate attached to the machine.

© Copyright 2011 Global Garden Products

All content is subject to copyright by Global Garden Products and may not be reproduced in whole or in part by any means, electronic or otherwise, without prior written approval.

THIS INFORMATION IS NOT INTENDED FOR SALE OR RESALE, AND THIS NOTICE MUST REMAIN ON ALL COPIES.



GLOBAL GARDEN PRODUCTS

F72

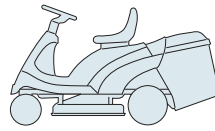
F72 hydro

CATALOGO DELLE PARTI DI RICAMBIO
SPARE PARTS CATALOGUE
CATALOGUE DES PIECES DE RECHANGE
ERSATZTEILKATALOG

2011

F72

F72 hydro



**INDICE DELLE TAVOLE
INDEX OF TABLES
SOMMAIRE DES TABLEAUX
INHALT DER TAFELN**

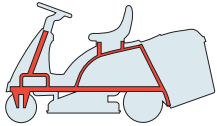
2011

2000.0

1 / 2

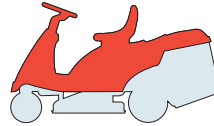
**TELAIO
CHASSIS
CHASSIS
RAHMENSATZ**

↪ [2001](#)



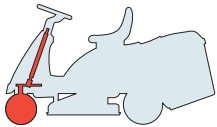
**CARROZZERIA
BODY
CARROSSERIE
KARROSSERIE**

↪ [2002](#)



**STERZO
STEERING
BARRE DE DIRECTION
LENKGETRIEBE**

↪ [2003](#)

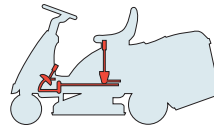


**COMANDO TRASMISSIONE E FRENO
DRIVE AND BRAKE CONTROLS
COMMANDE TRANSMISSION ET FREIN
GETRIEBE UND BREMSE ANTRIEB**

72 ↪ [2004M](#)

72 Hydro (Tuff Torq) ↪ [2004Y](#)

72 Hydro (Hydro-Gear) .. ↪ [2004Yb](#)

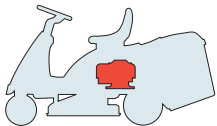


**MOTORE
ENGINE
MOTEUR
MOTOR**

B&S ↪ [2005](#)

GGP ↪ [2005a](#)

HONDA ↪ [2005b](#)

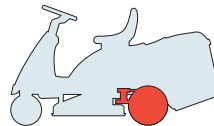


**TRASMISSIONE
TRANSMISSION
TRANSMISSION
GETRIEBE**

72 ↪ [2006M](#)

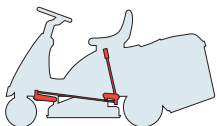
72 Hydro (Tuff Torq) ↪ [2006Y](#)

72 Hydro (Hydro-Gear) .. ↪ [2006Yb](#)



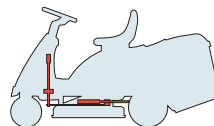
**SOLLEVAMENTO PIATTO DI TAGLIO
CUTTING PLATE LIFTING
SOULEVEMENT PLATEAU DE COUPE
SCHNEIDWERKZEUG AUFHEBESATZ**

↪ [2007](#)



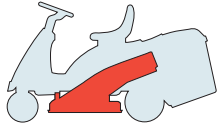
**PIATTO DI TAGLIO (1)
CUTTING PLATE (1)
PLATEAU DE COUPE (1)
SCHNEIDWERKZEUG (1)**

↪ [2008](#)



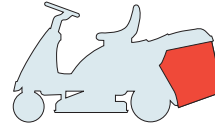


PIATTO DI TAGLIO (2)
CUTTING PLATE (2)
PLATEAU DE COUPE (2)
SCHNEIDWERKZEUG (2)



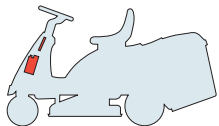
↔ [2009](#)

SACCO
GRASSCATCHER
BAC
AUFFANGSACK



↔ [2010](#)

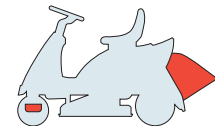
PARTI ELETTRICHE
ELECTRICAL PARTS
PARTIES ELECTRIQUES
ELETRISCHE TEILE



B&S - GGP ↔ [2011](#)

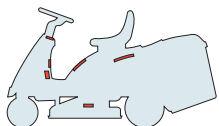
HONDA ↔ [2011a](#)

ACCESSORI A RICHIESTA
OPTIONALS ON REQUEST
ACCESSOIRES SUR DEMANDE
ZUBEHOERE NACH ANFRAGE



↔ [2012](#)

ETICHETTE
LABELS
ETIQUETTES
KLEBZETTEL

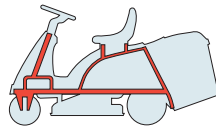


↔ [2013](#)



F72

F72 hydro

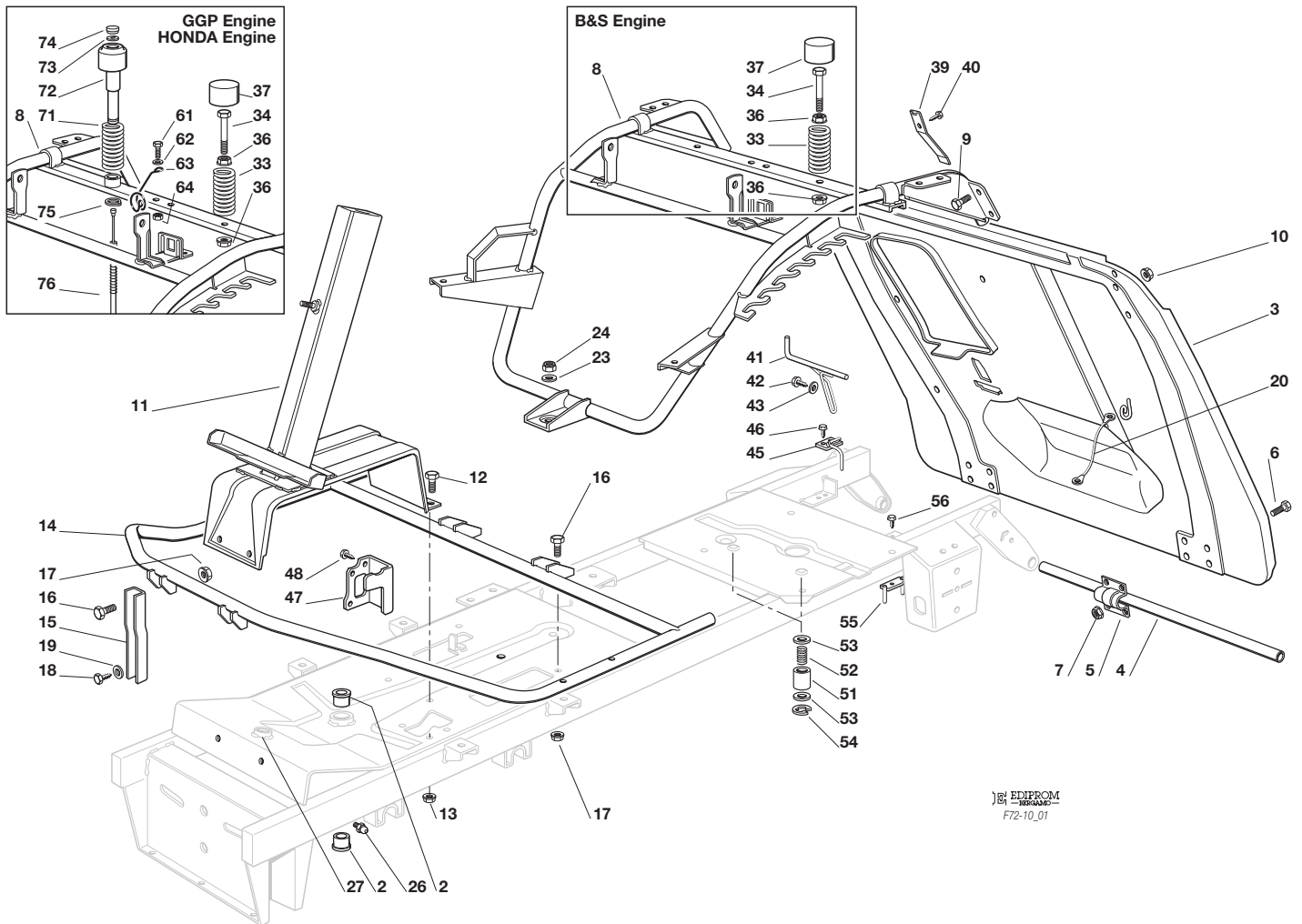


TELAIO
CHASSIS
CHASSIS
RAHMENSATZ

2011

2001.0

1 / 2



EDIPROM
F72-10_01

N.	CODE	Q.TY	DESCRIZIONE	DESCRIPTION	DESCRIPTION	BESCHREIBUNG
2	25034002/1	2	Boccola	Bush	Douille	Büchse
3	84545057/3	1	Piastra	Plate	Plaque	Platte
4	27037000/1	1	Perno	Pin	Pivot	Bolzen
5	25547012/1	2	Piastra	Plate	Plaque	Platte
6	112791200/1	8	Vite	Screw	Vis	Schraube
7	12292102/0	8	Dado	Nut	Ecrou	Mutter
9	12792611/0	4	Vite	Screw	Vis	Schraube
10	12293201/0	4	Dado	Nut	Ecrou	Mutter
11	84783027/0	1	Supporto Piantone	Support	Support	Halter
12	12792611/0	4	Vite	Screw	Vis	Schraube
13	12293201/0	4	Dado	Nut	Ecrou	Mutter
14	384801107/2	1	Supporto Pedane	Fottboard Support	Support Marchepied	Fussbretthalter
15	27787025/0	2	Supporto	Support	Support	Halter
16	12792611/0	4	Vite	Screw	Vis	Schraube
17	12293201/0	4	Dado	Nut	Ecrou	Mutter
18	12734995/0	2	Vite	Screw	Vis	Schraube
19	12521331/0	2	Rondella	Washer	Rondelle	Scheibe
20	84040300/0	1	Cavo Aggancio	Cord	Corde	Seil
23	12523060/0	1	Rondella	Washer	Rondelle	Scheibe
24	12155000/0	1	Dado	Nut	Ecrou	Mutter
26	12379511/0	1	Ingrassatore	Grease Dispenser	Graisneur	Fettbüchse
27	25034001/0	1	Bronzina	Bush	Douille	Büchse
33	27430575/0	2	Molla	Spring	Ressort	Feder
34	27943050/0	2	Vite	Screw	Vis	Schraube
36	12293201/0	4	Dado	Nut	Ecrou	Mutter
37	25122000/2	2	Cuffia	Hood	Protecteur	Schutzkasten
39	27430554/0	1	Molla	Spring	Ressort	Feder
40	12735110/0	1	Vite	Screw	Vis	Schraube



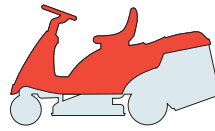


N.	CODE	Q.TY	DESCRIZIONE	DESCRIPTION	DESCRIPTION	BESCHREIBUNG
41	27294001/0	1	Guida	Guide	Guide	Führung
42	12735120/0	1	Vite	Screw	Vis	Schraube
43	12523040/0	1	Rondella	Washer	Rondelle	Scheibe
45	27294003/0	1	Guidacinghia (Mecc.)	Belt Guide (Mech.)	Guide Curroire (Mec.)	Riemenführung (Mech.)
46	12735110/0	2	Vite (Mecc.)	Screw (Mech.)	Vis (Mec.)	Schraube (Mech.)
47	27772095/0	1	Staffa	Clamp	Etrier	Bride
48	12735106/0	2	Vite	Screw	Vis	Schraube
51	27047012/0	2	Bussola	Bush	Douille	Büchse
52	27430577/0	2	Molla	Spring	Ressort	Feder
53	25670008/1	4	Rondella	Washer	Rondelle	Scheibe
54	12000955/0	2	Anello Elastico	Snap Ring	Anneau Ressort	Sprengring
55	84250053/0	1	Guidacinghia (Mecc.)	Belt Guide (Mech.)	Guide De Curroire (Mec.)	Riemenführung (Mech.)
56	12735110/0	1	Vite (Mecc.)	Screw (Mech.)	Vis (Mec.)	Schraube (Mech.)

			Modelli con motore B&S - Honda	Models with B&S - Honda	Modèles avec moteur B&S - Honda	Modellen mit Motor B&S - Honda
8	84801127/0	1	Telaio Sedile	Chassis	Chassis	Rahmensatz
34	27943050/0	2	Vite	Screw	Vis	Schraube
36	12293201/0	4	Dado	Nut	Ecrou	Mutter
37	25122000/2	2	Cuffia	Hood	Protecteur	Schutzkasten

			Modelli con motore GGP	Models with GGP engine	Modèles avec moteur GGP	Modellen mit Motor GGP
8	84801137/0	1	Telaio Sedile	Chassis	Chassis	Rahmensatz
34	27943050/0	1	Vite	Screw	Vis	Schraube
36	12293201/0	2	Dado	Nut	Ecrou	Mutter
37	25122000/2	1	Cuffia	Hood	Protecteur	Schutzkasten
61	112791200/1	1	Vite	Screw	Vis	Schraube
62	12521340/0	1	Rosetta	Washer	Rondelle	Scheibe
63	25430239/1	1	Molla	Spring	Ressort	Feder
64	12292102/0	1	Dado	Nut	Ecrou	Mutter
71	27430581/0	1	Molla	Spring	Ressort	Feder
72	84050500/0	1	Attuatore	Actuator	Actuateur	Aktuator
73	27670056/0	1	Rosetta	Washer	Rondelle	Scheibe
74	27790011/0	1	Tappo	Cap	Bouchon	Stopfen
75	12609200/0	1	Seeger	Seeger	Seeger	Seeger
76	84207106/0	1	Filo	Cable	Fil	Kabel

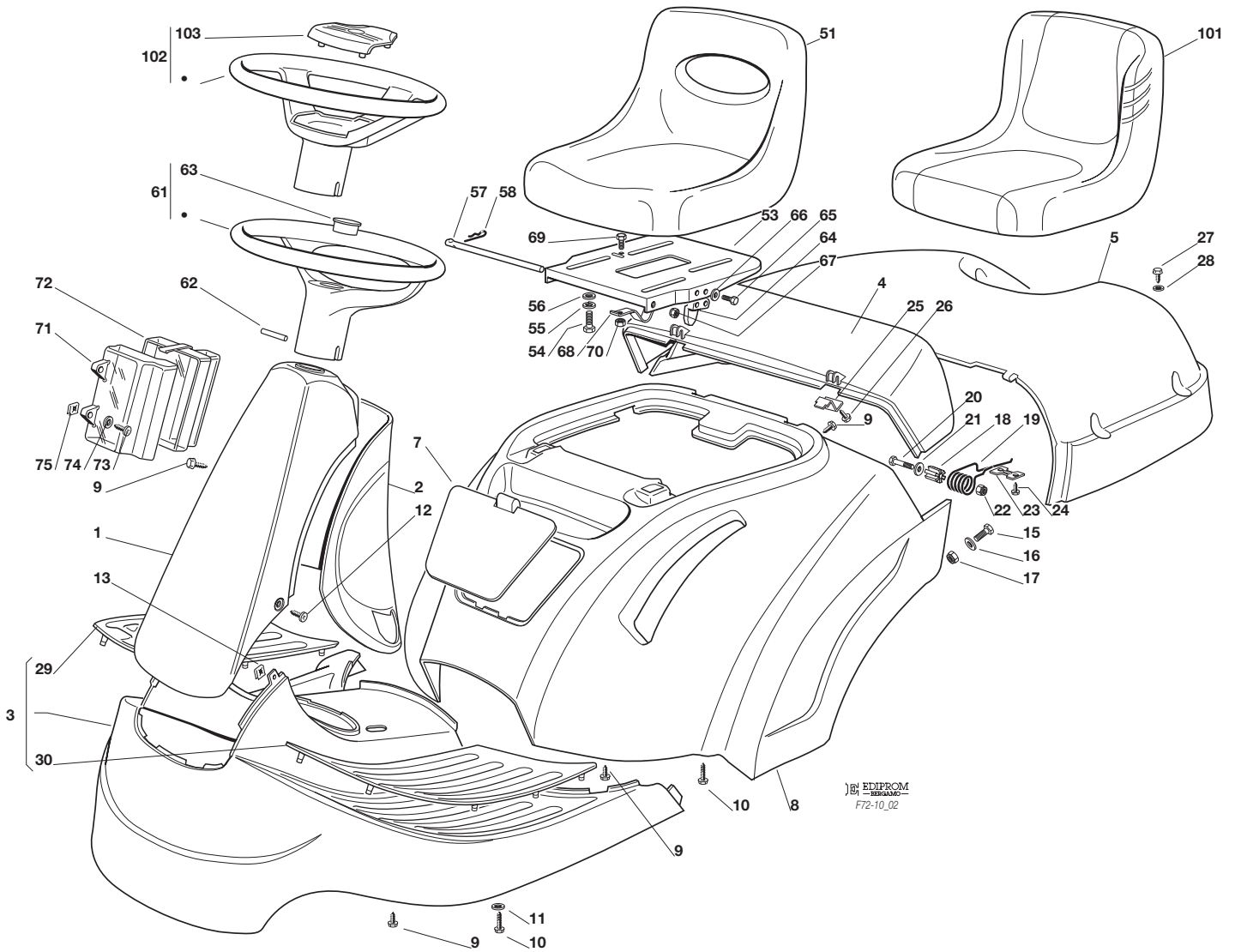


F72**F72 hydro**
CARROZZERIA
BODY
CARROSSERIE
KARROSSERIE

2011

2002.0

1 / 2


 EDIPROM
 F72-10_02

N.	CODE	Q.TY	DESCRIZIONE	DESCRIPTION	DESCRIPTION	BESCHREIBUNG
1		1	Protezione Anteriore	Front Cover	Couvercle Avant	Vorderdeckel
1	84598064/1		Rosso	Red	Rouge	Rot
1	84598065/0		Verde	Green	Vert	Grün
1	84598076/1		Arancione	Orange	Orange	Dunkelorange
1	84598067/0		Blu	Blue	Bleu	Blau
1	84598077/0		Giallo	Yellow	Jaune	Gelb
1	384598087/0		Nero	Black	Noir	Schwarz
2		1	Protezione Posteriore	Rear Cover	Couvercle Arrier	Hinterdeckel
2	27600091/1		Rosso	Red	Rouge	Rot
2	27600092/0		Verde	Green	Vert	Grün
2	27600111/1		Arancione	Orange	Orange	Dunkelorange
2	27600094/0		Blu	Blue	Bleu	Blau
2	27600134/0		Grigio	Grey	Gris	Grau
2	327600176/0		Bianco	White	Blanc	Weiß
3		1	Copertura Pedana	Footboard Cover	Couvre Marchepied	Fussbrettdeckel
3	84110117/2		Rosso	Red	Rouge	Rot
3	84110118/1		Verde	Green	Vert	Grün
3	84110130/1		Arancione	Orange	Orange	Dunkelorange
3	84110120/1		Blu	Blue	Bleu	Blau
3	84110143/0		Grigio	Grey	Gris	Grau
3	384110167/0		Bianco	White	Blanc	Weiß
4		1	Copertura Sacco Fissa	Grass-Catcher Cover, Fixed	Couvre-Bac Fixe	Fester Sackkappe
4	27110302/2		Rosso	Red	Rouge	Rot
4	27110317/1		Verde	Green	Vert	Grün
4	27110353/1		Arancione	Orange	Orange	Dunkelorange
4	27110319/1		Blu	Blue	Bleu	Blau
4	27110444/0		Grigio	Grey	Gris	Grau
4	327110470/0		Bianco	White	Blanc	Weiß





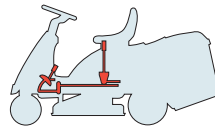
N.	CODE	Q.TY	DESCRIZIONE	DESCRIPTION	DESCRIPTION	BESCHREIBUNG
5	☛	1	Copertura Sacco Mobile	Grass-Catcher Cover, Mobile	Couvre-Bac Mobile	Beweglicher Sackkappe
5	27110303/1		Rosso	Red	Rouge	Rot
5	27110321/0		Verde	Green	Vert	Grün
5	27110354/1		Arancione	Orange	Orange	Dunkelorange
5	27110323/0		Blu	Blue	Bleu	Blau
5	27110445/0		Grigio	Grey	Gris	Grau
5	327110471/0		Bianco	White	Blanc	Weiß
7	☛	1	Coperchio Anteriore	Front Cover	Couvercle Avant	Deckel
7	27109501/1		Rosso	Red	Rouge	Rot
7	27109505/0		Verde	Green	Vert	Grün
7	27109515/1		Arancione	Orange	Orange	Dunkelorange
7	27109507/0		Blu	Blue	Bleu	Blau
7	27109525/0		Grigio	Grey	Gris	Grau
7	327109530/0		Bianco	White	Blanc	Weiß
8	☛	1	Copertura Ruote	Wheels Cover	Couvre Roues	Radenkappe
8	84110100/3		Rosso	Red	Rouge	Rot
8	84110102/2		Verde	Green	Vert	Grün
8	84110128/2		Arancione	Orange	Orange	Dunkelorange
8	84110104/2		Blu	Blue	Bleu	Blau
8	84110156/0		Grigio	Grey	Gris	Grau
8	384110168/0		Bianco	White	Blanc	Weiß
8	☛	1	Copertura Ruote (Hydro)	Wheels Cover (Hydro)	Couvre Roues (Hydro)	Radenkappe (Hydro)
8	84110107/3		Rosso	Red	Rouge	Rot
8	84110109/2		Verde	Green	Vert	Grün
8	84110129/2		Arancione	Orange	Orange	Dunkelorange
8	84110111/2		Blu	Blue	Bleu	Blau
8	84110157/0		Grigio	Grey	Gris	Grau
8	384110169/0		Bianco	White	Blanc	Weiß
9	12735402/0	10	Vite	Screw	Vis	Schraube
10	12735410/0	8	Vite	Screw	Vis	Schraube
11	12523040/0	4	Rondella	Washer	Rondelle	Scheibe
12	12727790/0	2	Vite	Screw	Vis	Schraube
13	12437503/0	2	Piastrina	Plate	Plaque	Platte
15	112791200/1	2	Vite	Screw	Vis	Schraube
16	12523040/0	2	Rondella	Washer	Rondelle	Scheibe
17	12154510/0	2	Dado	Nut	Ecrou	Mutter
18	27047003/0	2	Bussola	Bush	Douille	Buchse
19	27430551/1	2	Molla	Spring	Ressort	Feder
20	12691200/0	2	Vite	Screw	Vis	Schraube
21	12523070/0	2	Rondella	Washer	Rondelle	Scheibe
22	12155000/0	2	Dado	Nut	Ecrou	Mutter
23	27546001/0	2	Piastrina	Plate	Plaque	Platte
24	12735402/0	4	Vite	Screw	Vis	Schraube
25	27546003/0	2	Piastrina	Plate	Plaque	Platte
26	12735402/0	2	Vite	Screw	Vis	Schraube
27	12729601/1	4	Vite	Screw	Vis	Schraube
28	12521331/0	4	Rondella	Washer	Rondelle	Scheibe
29	27110304/0	1	Copripedana Destra	Right Footboard Cover	Couvre Marchepied Dro.	Rechte Fussbrettdeckel
30	27110305/0	1	Copripedana Sinistra	Left Footboard Cover	Couvre Marchepied Gau.	Linke Fussbrettdeckel
51	25722453/1	1	Sedile	Seat	Siege	Sitz
53	25547033/1	1	Piastra	Plate	Plaque	Platte
54	12793101/0	4	Vite	Screw	Vis	Schraube
55	12583500/0	4	Grower	Grower	Grower	Grower
56	12523060/0	4	Rondella	Washer	Rondelle	Scheibe
57	27864052/0	1	Perno	Pin	Pivot	Bolzen
58	24487997/0	1	Coppiglia	Cotter Pin	Goupille	Splint
61	25961201/0	1	Volante	Steering Wheel	Volant	Lenkrad
62	12620299/0	1	Spina	Pin	Goupille	Stift
63	25120230/0	1	Tappo	Cap	Bouchon	Stopfen
64	27063021/1	1	Camma	Cam	Came	Nocken
65	12789100/0	2	Vite	Screw	Vis	Schraube
66	12523020/0	2	Rondella	Washer	Rondelle	Scheibe
67	12154330/0	2	Dado	Nut	Ecrou	Mutter
68	25430223/2	1	Molla	Spring	Ressort	Feder
69	12789000/0	1	Vite	Screw	Vis	Schraube
70	12154330/0	1	Dado	Nut	Ecrou	Mutter
71	25600020/0	1	Protezione Superiore	Upper Guard	Protection Superieur	Oberschutz
72	25600021/1	1	Protezione Inferiore	Lower Guard	Protection Inferieur	Unterschutz
73	12728460/0	2	Vite	Screw	Vis	Schraube
74	12521320/0	2	Rosetta	Washer	Rondelle	Scheibe
75	12437502/0	2	Piastrina	Plate	Plaque	Platte
101	25722463/0	1	Sedile Comfort	Seat, Comfort	Siege, Comfort	Sitz, Comfort
102	25961212/0	1	Volante Grigio	Steering Wheel, Gray	Volant Gris	Lenkrad, Grau
103	325580500/0	1	Tappo	Cap	Bouchon	Stopfen





N.	CODE	Q.TY	DESCRIZIONE	DESCRIPTION	DESCRIPTION	BESCHREIBUNG
51	84680055/1	2	Ruota Anteriore	Front Wheel	Roue Avant	Vorderrad
52	84044000/0	2	Cerchio Ruota	Rimm	Bandage Roue	Vorderrad Felger
53	25122200/2	4	Cuscinetto	Bearing	Roulement	Lager
54	27590052/0	2	Pneumatico	Shoe	Pneu	Reifen
55	25670005/1	2	Rondella	Washer	Rondelle	Scheibe
56	12001000/0	2	Anello Elastico	Snap Ring	Anneau Ressort	Sprengring
57	22110230/0	2	Coprizzo	Hub Cover	Couvre Moyeu	Nabendeckel
58	25950000/0	2	Valvola	Valve	Soupape	Ventil
61	384680060/0	2	Ass. Ruota Anteriore	Front Wheel	Roue Avant	Vorderrad
65	125160042/0	2	Distanziale	Spacer	Entretoise	Entfernungsstück



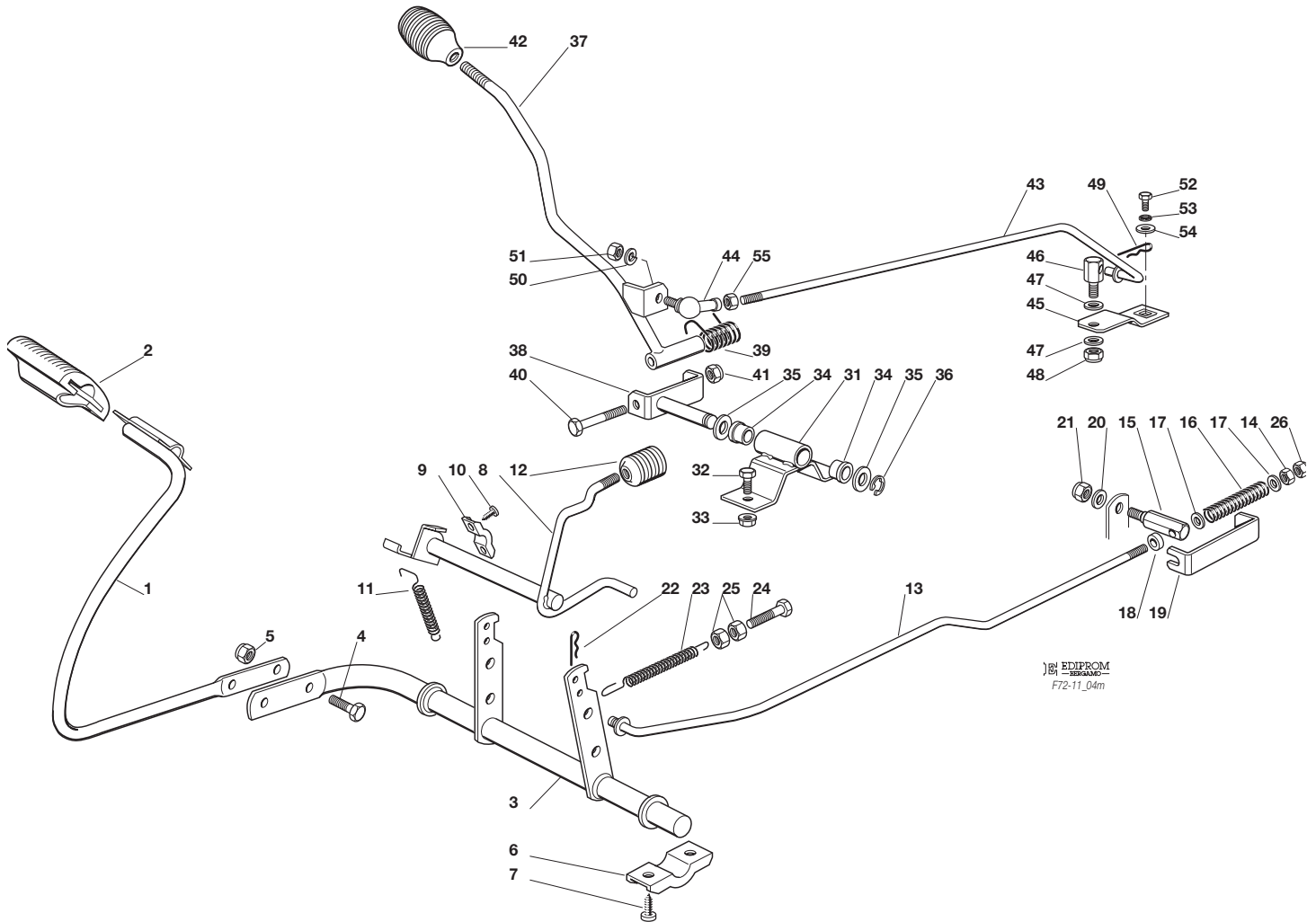
F72*F72 hydro*

COMANDO FRENO E COMANDO CAMBIO
BRAKE AND GEARBOX CONTROLS
COMMANDE FREIN ET BOITE DE VITESSE
BREMSE UND WECHSEL ANTRIEB

2011

2004M.0

1 / 2



EDIPROM
 F72-11_04m

N.	CODE	Q.TY	DESCRIZIONE	DESCRIPTION	DESCRIPTION	BESCHREIBUNG
1	84503001/0	1	Pedale	Pedal	Pedal	Pedal
2	25110269/0	1	Coprstaffa	Clamp Cover	Couvre Etrier	Bridedeckel
3	84001015/1	1	Asse Freno	Axle	Axe	Achse
4	12793301/0	2	Vite	Screw	Vis	Schraube
5	12155000/0	2	Dado	Nut	Ecrou	Mutter
6	27546015/1	2	Piastrina	Plate	Plaque	Platte
7	12731350/0	4	Vite	Screw	Vis	Schraube
8	84001011/2	1	Asse Freno	Axle	Axe	Achse
9	25547049/0	2	Piastrina	Plate	Plaque	Platte
10	12731601/0	4	Vite	Screw	Vis	Schraube
11	27430552/0	1	Molla	Spring	Ressort	Feder
12	27395050/1	1	Manopola	Knob	Poignee	Knopf
13	27034060/0	1	Asta	Rod	Barre	Stange
14	12293200/0	1	Dado	Nut	Ecrou	Mutter
15	27510115/0	1	Perno	Pin	Pivot	Bolzen
16	25430236/0	1	Molla	Spring	Ressort	Feder
17	12521350/0	2	Rosetta	Washer	Rondelle	Scheibe
18	22171001/0	1	Distanziale	Spacer	Entretoise	Entfernungsstück
19	25774275/0	1	Staffa	Clamp	Etrier	Bride
20	12523050/0	1	Rosetta	Washer	Rondelle	Scheibe
21	12154510/0	1	Dado	Nut	Ecrou	Mutter
22	24487997/0	1	Coppiglia	Cotter Pin	Goupille	Splint
23	25430220/0	1	Molla	Spring	Ressort	Feder
24	22943005/0	1	Vite	Screw	Vis	Schraube
25	12293200/0	2	Dado	Nut	Ecrou	Mutter
26	12155000/0	1	Dado	Nut	Ecrou	Mutter
31	84773551/0	1	Staffa	Clamp	Etrier	Bride
32	12793102/0	2	Vite	Screw	Vis	Schraube



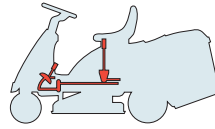


N.	CODE	Q.TY	DESCRIZIONE	DESCRIPTION	DESCRIPTION	BESCHREIBUNG
33	12293201/0	2	Dado	Nut	Ecrou	Mutter
34	27047002/0	2	Bussola	Bushing	Douille	Lager
35	12521370/0	2	Rondella	Washer	Rondelle	Scheibe
36	12608600/0	1	Seeger	Seeger	Seeger	Seeger
37	84317051/2	1	Leva	Gearshift	Levier	Hebel
38	84773553/0	1	Staffa	Clamp	Etrier	Bride
39	25430226/0	1	Molla	Spring	Ressort	Feder
40	12692050/0	1	Vite	Screw	Vis	Schraube
41	12155000/0	1	Dado	Nut	Ecrou	Mutter
42	82394508/0	1	Manopola	Knob	Poignee	Wechsel
43	27034080/0	1	Asta	Rod	Barre	Stange
44	122746610/0	1	Snodo	Joint	Joint	Gelenk
45	27315109/0	1	Leva	Gearshift	Levier	Hebel
46	25510040/1	1	Perno	Pin	Pivot	Bolzen
47	25670011/0	2	Rondella	Washer	Rondelle	Scheibe
48	12155000/0	1	Dado	Nut	Ecrou	Mutter
49	24487997/0	1	Coppiglia	Cotter Pin	Goupille	Splint
50	12583500/0	1	Grower	Grower	Grower	Grower
51	12293200/0	1	Dado	Nut	Ecrou	Mutter
52	12735520/0	1	Vite	Screw	Vis	Schraube
53	12540040/0	1	Rondella	Washer	Rondelle	Scheibe
54	22680009/0	1	Rondella	Washer	Rondelle	Scheibe
55	12293200/0	1	Dado	Nut	Ecrou	Mutter



F72

F72 hydro

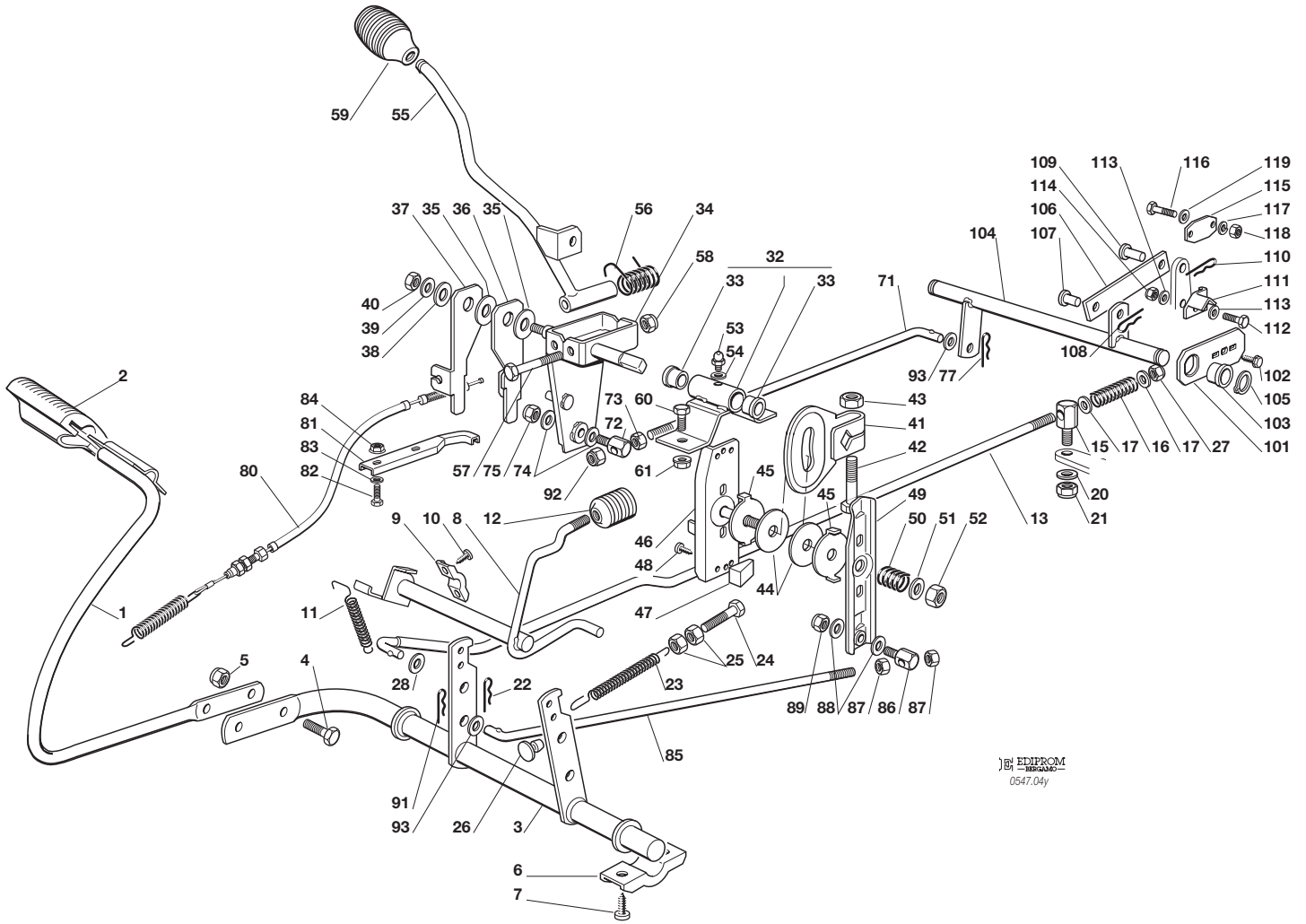


COMANDO TRASMISSIONE E FRENO
 DRIVE AND BRAKE CONTROLS
 COMMANDE TRANSMISSION ET FREIN
 GETRIEBE UND BREMSE ANTRIEB
 TUFF TORQ

2011

2004Y.0

1 / 2



EDIPROM
 0547.04y

N.	CODE	Q.TY	DESCRIZIONE	DESCRIPTION	DESCRIPTION	BESCHREIBUNG
1	84503001/0	1	Pedale	Pedal	Pedal	Pedal
2	25110267/0	1	Coprstaffa	Clamp Cover	Couvre Etrier	Bridedeckel
3	84001015/1	1	Asse Freno	Axle	Axe	Achse
4	12793301/0	2	Vite	Screw	Vis	Schraube
5	12155000/0	2	Dado	Nut	Ecrou	Mutter
6	27546015/1	2	Piastrina	Plate	Plaque	Platte
7	12731350/0	4	Vite	Screw	Vis	Schraube
8	84001011/2	1	Asse Freno	Axle	Axe	Achse
9	25547049/0	2	Piastrina	Plate	Plaque	Platte
10	12731601/0	4	Vite	Screw	Vis	Schraube
11	27430552/0	1	Molla	Spring	Ressort	Feder
12	27395050/1	1	Manopola	Knob	Poignee	Knopf
13	27034070/0	1	Asta	Rod	Barre	Stange
15	25510067/1	1	Perno	Pin	Pivot	Bolzen
16	25430236/0	1	Molla	Spring	Ressort	Feder
17	12521360/0	2	Rosetta	Washer	Rondelle	Scheibe
20	12523050/0	1	Rosetta	Washer	Rondelle	Scheibe
21	12155000/0	1	Dado	Nut	Ecrou	Mutter
22	24487997/0	1	Coppiglia	Cotter Pin	Goupille	Splint
23	125430210/1	1	Molla	Spring	Ressort	Feder
24	22943005/0	1	Vite	Screw	Vis	Schraube
25	12293200/0	2	Dado	Nut	Ecrou	Mutter
26	27275000/0	1	Gommino	Grommet	Caoutchouc	Gummi
27	12156602/0	1	Dado	Nut	Ecrou	Mutter
28	25670011/0	1	Rosetta	Washer	Rondelle	Scheibe
32	84773568/0	1	Staffa Con Bussole	Bracket With Bussh	Ingsetrier Avec Douilles	Bride Mit Lagern
33	27045080/0	2	Bussola	Bushing	Douille	Lager
34	84773561/0	1	Leva	Lever	Lever	Hebel



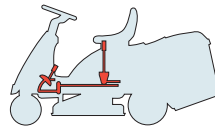


N.	CODE	Q.TY	DESCRIZIONE	DESCRIPTION	DESCRIPTION	BESCHREIBUNG
35	22672151/0	2	Rondella	Washer	Rondelle	Scheibe
36	27772101/0	1	Staffa	Clamp	Etrier	Bride
37	27772103/0	1	Staffa	Clamp	Etrier	Bride
38	22672152/0	1	Rondella	Washer	Rondelle	Scheibe
39	12523060/0	1	Rondella	Washer	Rondelle	Scheibe
40	12155010/0	1	Dado	Nut	Ecrou	Mutter
41	27734055/0	1	Settore	Sector	Secteur	Sektor
42	12794900/0	1	Vite	Screw	Vis	Schraube
43	12155020/0	1	Dado	Nut	Ecrou	Mutter
44	27158000/0	2	Disco	Plate	Disque	Scheibe
45	27670053/0	2	Rondella	Washer	Rondelle	Scheibe
46	84773565/0	1	Staffa	Clamp	Etrier	Bride
47	27063020/0	2	Camma	Cam	Came	Nocken
48	12735110/0	2	Vite	Screw	Vis	Schraube
49	84773563/0	1	Leva	Lever	Levier	Hebel
50	27430560/0	1	Molla	Spring	Ressort	Feder
51	25670008/1	1	Rondella	Washer	Rondelle	Scheibe
52	12155020/0	1	Dado	Nut	Ecrou	Mutter
53	12379511/0	1	Ingrassatore	Grease Dispenser	Graisseur	Fettbüchse
54	12521330/0	1	Rondella	Washer	Rondelle	Scheibe
55	84317051/2	1	Leva	Gearshift	Levier	Hebel
56	25430226/0	1	Molla	Spring	Ressort	Feder
57	12692050/0	1	Vite	Screw	Vis	Schraube
58	12155000/0	1	Dado	Nut	Ecrou	Mutter
59	82394508/0	1	Manopola	Knob	Poignee	Wechsel
60	12793102/0	2	Vite	Screw	Vis	Schraube
61	12293201/0	2	Dado	Nut	Ecrou	Mutter
71	27034071/0	1	Asta	Rod	Barre	Stange
72	25510040/1	1	Perno	Pin	Pivot	Bolzen
73	12293200/0	1	Dado	Nut	Ecrou	Mutter
74	25670011/0	2	Rondella	Washer	Rondelle	Scheibe
75	12155010/0	1	Dado	Nut	Ecrou	Mutter
77	24487997/0	1	Coppiglia	Cotter Pin	Goupille	Splint
80	84207101/1	1	Filo	Wire	Fil	Kabel
81	27772105/0	1	Staffa	Clamp	Etrier	Bride
82	12791400/0	2	Vite	Screw	Vis	Schraube
83	12521330/0	2	Rondella	Washer	Rondelle	Scheibe
84	12292102/0	2	Dado	Nut	Ecrou	Mutter
85	27034074/0	1	Asta	Rod	Barre	Stange
86	25510040/1	1	Perno	Pin	Pivot	Bolzen
87	12293200/0	2	Dado	Nut	Ecrou	Mutter
88	25670011/0	2	Rondella	Washer	Rondelle	Scheibe
89	12155010/0	1	Dado	Nut	Ecrou	Mutter
91	24487997/0	1	Coppiglia	Cotter Pin	Goupille	Splint
92	12155000/0	1	Dado	Nut	Ecrou	Mutter
93	25670011/0	2	Rondella	Washer	Rondelle	Scheibe
101	27546047/0	2	Piastrina	Plate	Plaque	Platte
102	12735121/0	2	Vite	Screw	Vis	Schraube
103	25040614/0	2	Bussola	Bush	Douille	Büchse
104	84001023/0	1	Asse	Axle	Axe	Achse
105	12608900/0	2	Seeger	Seeger	Seeger	Seeger
106	27034073/0	1	Asta	Rod	Barre	Stange
107	27510111/0	1	Perno	Pin	Pivot	Bolzen
108	24487997/0	1	Coppiglia	Cotter Pin	Goupille	Splint
109	27510110/0	1	Perno	Pin	Pivot	Bolzen
110	24487997/0	1	Coppiglia	Cotter Pin	Goupille	Splint
111	27063022/0	1	Camma	Cam	Came	Nocken
112	12791400/0	1	Vite	Screw	Vis	Schraube
113	12521330/0	2	Rondella	Washer	Rondelle	Scheibe
114	12154510/0	1	Dado	Nut	Ecrou	Mutter
115	27546019/0	1	Piastrina	Plate	Plaque	Platte
116	12735602/0	2	Vite	Screw	Vis	Schraube
117	12581100/0	2	Grower	Grower	Grower	Grower
118	12290791/0	2	Dado	Nut	Ecrou	Mutter
119	12540020/0	2	Rondella	Washer	Rondelle	Scheibe



F72

F72 hydro

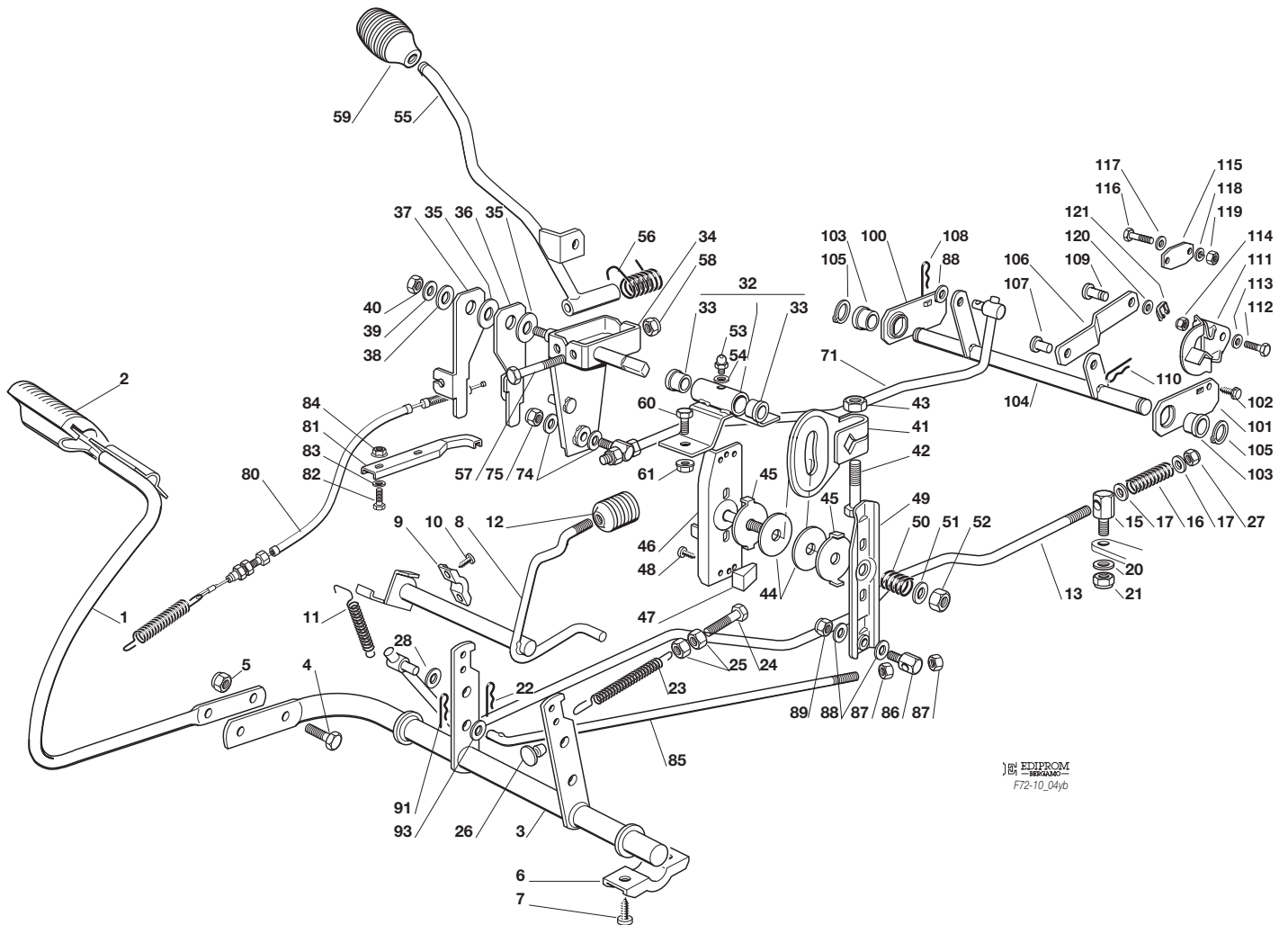


COMANDO TRASMISSIONE E FRENO
 DRIVE AND BRAKE CONTROLS
 COMMANDE TRANSMISSION ET FREIN
 GETRIEBE UND BREMSE ANTRIEB
 HYDRO-GEAR

2011

2004Yb.0

1 / 2



EDIPROM
 F72-10_04y6

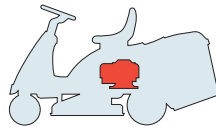
N.	CODE	Q.TY	DESCRIZIONE	DESCRIPTION	DESCRIPTION	BESCHREIBUNG
1	84503001/0	1	Pedale	Pedal	Pedal	Pedal
2	25110267/0	1	Coprstaffa	Clamp Cover	Couvre Etrier	Bridedeckel
3	84001015/1	1	Asse Freno	Axle	Axe	Achse
4	12793301/0	2	Vite	Screw	Vis	Schraube
5	12155000/0	2	Dado	Nut	Ecrou	Mutter
6	27546015/1	2	Piastrina	Plate	Plaque	Platte
7	12731350/0	4	Vite	Screw	Vis	Schraube
8	84001011/2	1	Asse Freno	Axle	Axe	Achse
9	25547049/0	2	Piastrina	Plate	Plaque	Platte
10	12731601/0	4	Vite	Screw	Vis	Schraube
11	27430552/0	1	Molla	Spring	Ressort	Feder
12	27395050/1	1	Manopola	Knob	Poignee	Knopf
13	384002088/0	1	Asta	Rod	Barre	Stange
15	12295200/0	1	Dado	Nut	Ecrou	Mutter
16	127430588/0	1	Molla	Spring	Ressort	Feder
17	12521360/0	2	Rosetta	Washer	Rondelle	Scheibe
18	12156602/0	1	Dado	Nut	Ecrou	Mutter
20	12523050/0	1	Rosetta	Washer	Rondelle	Scheibe
21	12155000/0	1	Dado	Nut	Ecrou	Mutter
22	24487997/0	1	Coppiglia	Cotter Pin	Goupille	Splint
23	125430210/1	1	Molla	Spring	Ressort	Feder
24	22943005/0	1	Vite	Screw	Vis	Schraube
25	12293200/0	2	Dado	Nut	Ecrou	Mutter
26	27275000/0	1	Gommino	Grommet	Caoutchouc	Gummi
27	12156602/0	1	Dado	Nut	Ecrou	Mutter
28	25670011/0	1	Rosetta	Washer	Rondelle	Scheibe
32	84773568/0	1	Staffa Con Bussole	Bracket With Bussh	Ingsetrier Avec Douilles	Bride Mit Lagern
33	27045080/0	2	Bussola	Bushing	Douille	Lager





N.	CODE	Q.TY	DESCRIZIONE	DESCRIPTION	DESCRIPTION	BESCHREIBUNG
34	84773561/0	1	Leva	Lever	Levier	Hebel
35	22672151/0	2	Rondella	Washer	Rondelle	Scheibe
36	27772101/0	1	Staffa	Clamp	Etrier	Bride
37	27772103/0	1	Staffa	Clamp	Etrier	Bride
38	22672152/0	1	Rondella	Washer	Rondelle	Scheibe
39	12523060/0	1	Rondella	Washer	Rondelle	Scheibe
40	12155010/0	1	Dado	Nut	Ecrou	Mutter
41	27734055/0	1	Settore	Sector	Secteur	Sektor
42	12794900/0	1	Vite	Screw	Vis	Schraube
43	12155020/0	1	Dado	Nut	Ecrou	Mutter
44	27158000/0	2	Disco	Plate	Disque	Scheibe
45	27670053/0	2	Rondella	Washer	Rondelle	Scheibe
46	84773565/0	1	Staffa	Clamp	Etrier	Bride
47	27063020/0	2	Camma	Cam	Came	Nocken
48	12735110/0	2	Vite	Screw	Vis	Schraube
49	84773563/0	1	Leva	Lever	Levier	Hebel
50	27430560/0	1	Molla	Spring	Ressort	Feder
51	25670008/1	1	Rondella	Washer	Rondelle	Scheibe
52	12155020/0	1	Dado	Nut	Ecrou	Mutter
53	12379511/0	1	Ingrassatore	Grease Dispenser	Graisserieur	Fettbüchse
54	12521330/0	1	Rondella	Washer	Rondelle	Scheibe
55	84317051/2	1	Leva	Gearshift	Levier	Hebel
56	25430226/0	1	Molla	Spring	Ressort	Feder
57	12692050/0	1	Vite	Screw	Vis	Schraube
58	12155000/0	1	Dado	Nut	Ecrou	Mutter
59	82394508/0	1	Manopola	Knob	Poignee	Wechsel
60	12793102/0	2	Vite	Screw	Vis	Schraube
61	12293201/0	2	Dado	Nut	Ecrou	Mutter
71	384002092/0	1	Asta	Rod	Barre	Stange
74	25670011/0	2	Rondella	Washer	Rondelle	Scheibe
75	12155010/0	1	Dado	Nut	Ecrou	Mutter
77	24487997/0	1	Coppiglia	Cotter Pin	Goupille	Splint
80	84207101/1	1	Filo	Wire	Fil	Kabel
81	27772105/0	1	Staffa	Clamp	Etrier	Bride
82	12791400/0	2	Vite	Screw	Vis	Schraube
83	12521330/0	2	Rondella	Washer	Rondelle	Scheibe
84	12292102/0	2	Dado	Nut	Ecrou	Mutter
85	27034074/0	1	Asta	Rod	Barre	Stange
86	25510040/1	1	Perno	Pin	Pivot	Bolzen
87	12293200/0	2	Dado	Nut	Ecrou	Mutter
88	25670011/0	3	Rondella	Washer	Rondelle	Scheibe
89	12155010/0	1	Dado	Nut	Ecrou	Mutter
91	24487997/0	1	Coppiglia	Cotter Pin	Goupille	Splint
93	25670011/0	2	Rondella	Washer	Rondelle	Scheibe
100	327546059/0	1	Piastrina	Plate	Plaque	Platte
101	327546061/0	1	Piastrina	Plate	Plaque	Platte
102	12735121/0	2	Vite	Screw	Vis	Schraube
103	25040614/0	2	Bussola	Bush	Douille	Büchse
104	384001029/0	1	Asse	Axle	Axe	Achse
105	12608900/0	2	Seeger	Seeger	Seeger	Seeger
106	327034089/0	1	Asta	Rod	Barre	Stange
107	27510111/0	1	Perno	Pin	Pivot	Bolzen
108	24487997/0	1	Coppiglia	Cotter Pin	Goupille	Splint
109	25510085/0	1	Perno	Pin	Pivot	Bolzen
110	24487997/0	1	Coppiglia	Cotter Pin	Goupille	Splint
111	327063023/0	1	Camma	Cam	Came	Nocken
112	12793102/0	1	Vite	Screw	Vis	Schraube
113	12521350/0	1	Rondella	Washer	Rondelle	Scheibe
114	112581100/0	1	Dado	Nut	Ecrou	Mutter
115	27546019/0	1	Piastrina	Plate	Plaque	Platte
116	12735602/0	2	Vite	Screw	Vis	Schraube
117	12540020/0	2	Rondella	Washer	Rondelle	Scheibe
118	12581100/0	2	Grower	Grower	Grower	Grower
119	12290791/0	2	Dado	Nut	Ecrou	Mutter
120	12521350/0	1	Rondella	Washer	Rondelle	Scheibe
121	12436050/0	1	Piastrina	Plate	Plaque	Platte

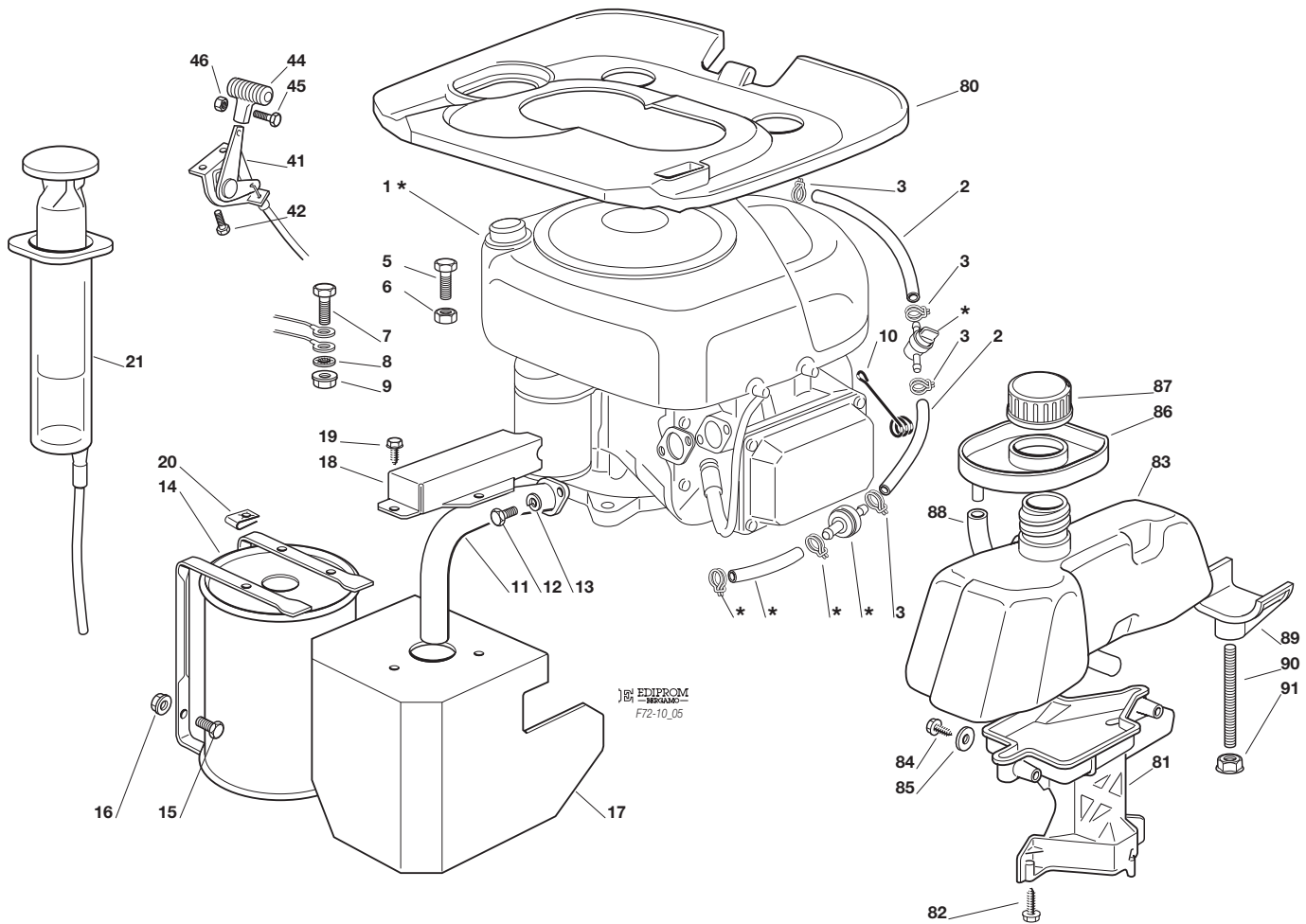


F72**F72 hydro**
**MOTORE
ENGINE
MOTEUR
MOTOR
B&S**


2011

2005.0

1 / 2



N.	CODE	Q.TY	DESCRIZIONE	DESCRIPTION	DESCRIPTION	BESCHREIBUNG
2	25869035/1	2	Tubo	Tube	Tube	Rohr
3	18375051/1	4	Fascetta	Fair Led	Fixation De Cable	Kabelbefestigung
5	12691100/0	3	Vite	Screw	Vis	Schraube
6	12154210/0	3	Dado	Nut	Ecrou	Mutter
7	12691115/0	1	Vite	Screw	Vis	Schraube
8	12540260/0	1	Rondella	Washer	Rondelle	Scheibe
9	12154210/0	1	Dado	Nut	Ecrou	Mutter
10	25430239/1	1	Molla	Spring	Ressort	Feder
11	18738225/0	1	Raccordo Scarico	Exhaust Connection	Connexion Echappement	Auspuffanschluss
12	12737450/0	2	Vite	Screw	Vis	Schraube
13	12583500/0	2	Grower	Grower	Grower	Grower
14	82750006/1	1	Silenziatore	Muffler	Silencieux	Auspuff
15	12793102/0	2	Vite	Screw	Vis	Schraube
16	12154210/0	2	Dado	Nut	Ecrou	Mutter
17	84598081/0	1	Protezione Silenziatore	Muffler Protection	Protection Silencieux	Auspuffschutz
18	27600137/0	1	Protezione	Protection	Protection	Schutz
19	12729601/1	3	Vite	Screw	Vis	Schraube
20	12437504/0	3	Piastrina	Plate	Plaque	Platte
21	18718000/0	1	Siringa	Syringe	Seringue	Spritze
41	84000250/1	1	Acceleratore	Accelerator	Accelérateur	Gas Zug
42	125943012/0	2	Vite	Screw	Vis	Schraube
44	25394501/0	1	Manopolina	Handle	Poigne	Griff
45	12726388/0	1	Vite	Screw	Vis	Schraube
46	12290800/0	1	Dado	Nut	Ecrou	Mutter
80	27110306/2	1	Copertura Motore	Engine Cover	Couvre Moteur	Motorkappe
81	27787062/0	1	Supporto	Support	Support	Halter

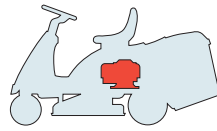




N.	CODE	Q.TY	DESCRIZIONE	DESCRIPTION	DESCRIPTION	BESCHREIBUNG
82	12735410/0	3	Vite	Screw	Vis	Schraube
83	27733003/1	1	Serbatoio	Tank	Reservoir	Tank
84	12735410/0	2	Vite	Screw	Vis	Schraube
85	12523040/0	2	Rondella	Washer	Rondelle	Scheibe
86	27600061/2	1	Protezione Benzina	Guard	Protection	Schutz
87	25795000/1	1	Tappo	Cap	Bouchon	Tankverschluss
88	25869014/0	1	Tube	Tube	Tube	Rohr
89	27787063/0	1	Supporto	Support	Support	Halter
90	27510118/0	1	Perno	Pin	Pivot	Bolzen
91	12293201/0	2	Dado	Nut	Ecrou	Mutter

PER LA SOSTITUZIONE DELLE PARTI CONTRASSEGNALE CON «*» RIVOLGERSI AL SERVIZIO ASSISTENZA DEL COSTRUTTORE DEL MOTORE.
TO REPLACE THE PARTS MARKED «*» SEEK ASSISTANCE FROM THE ENGINE MANUFACTURER'S AFTER SALES SERVICE.
POUR LE REMPLACEMENT DES PIÈCES MARQUÉES AVEC «*» S'ADRESSER AU SERVICE APRÈS VENTES DU CONSTRUCTEUR DU MOTEUR.
ZUM AUSTAUSCH DER MIT «*» GEKENNZEICHNETEN TEILE, WENDEN SIE SICH AN DEN KUNDENDIENST DES HERSTELLERS DES MOTOR.

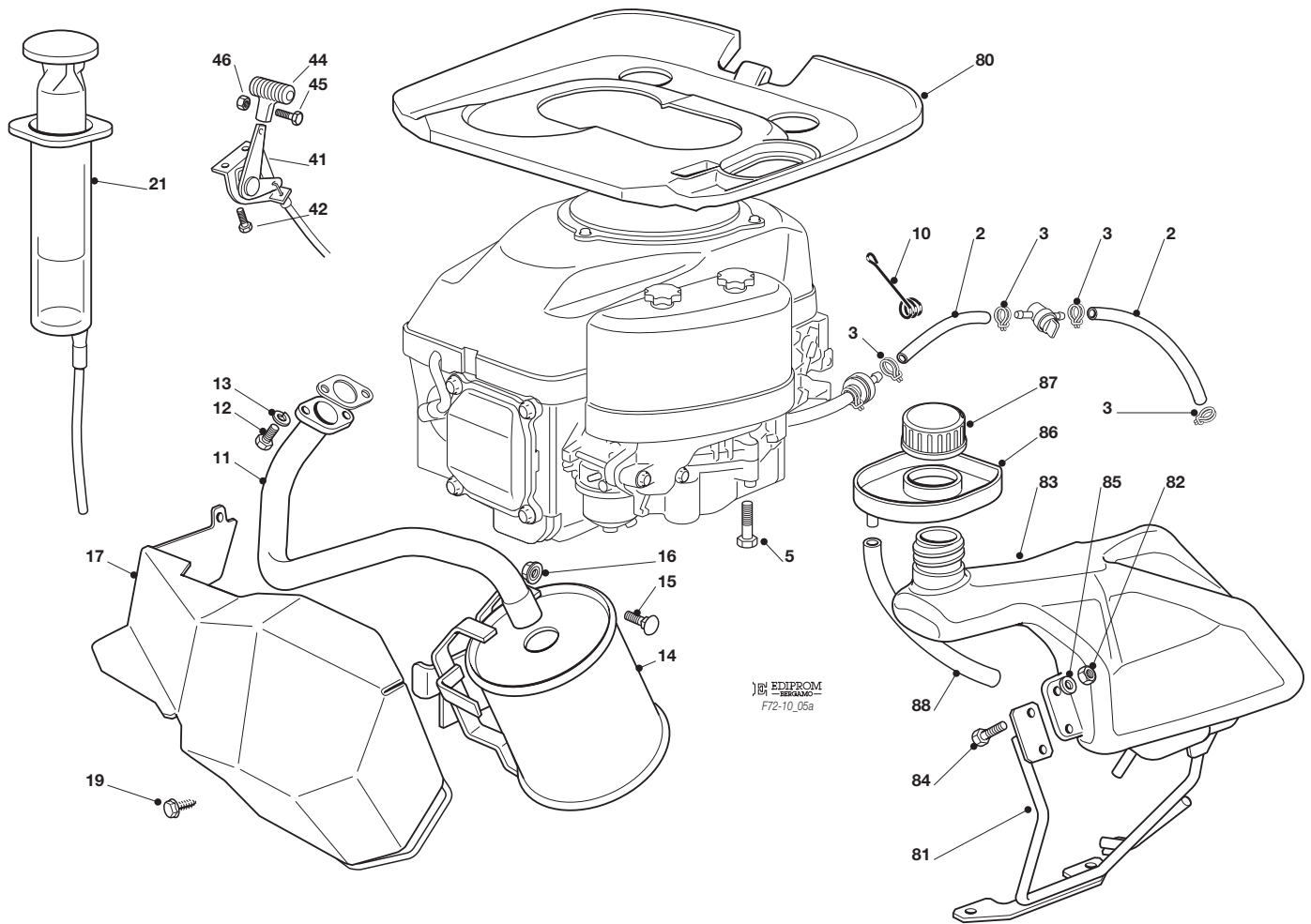


F72**F72 hydro**
**MOTORE
ENGINE
MOTEUR
MOTOR
GGP**


2011

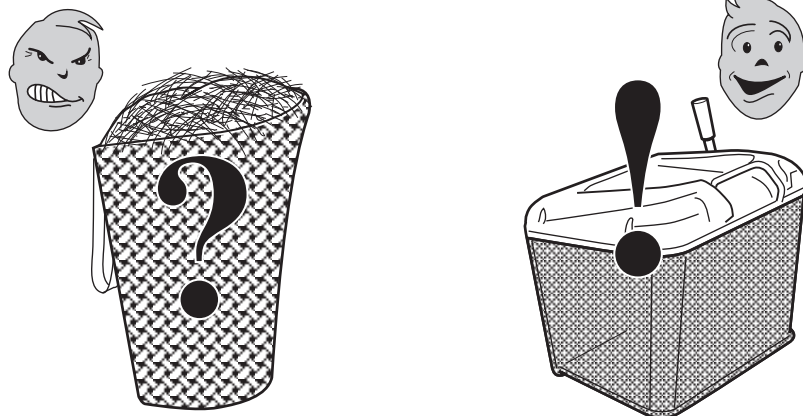
2005a.0

1 / 1

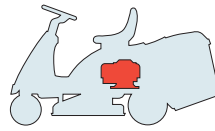

 EDIPROM
 F72-10_05a

N.	CODE	Q.TY	DESCRIZIONE	DESCRIPTION	DESCRIPTION	BESCHREIBUNG
2	25869035/1	2	Tubo	Tube	Tube	Rohr
3	18375051/1	4	Fascetta	Fair Led	Fixation De Cable	Kabelbefestigung
5	112735108/1	4	Vite	Screw	Vis	Schraube
10	25430239/1	1	Molla	Spring	Ressort	Feder
11	118738240/0	1	Raccordo Scarico	Exhaust Connection	Connexion Echappement	Auspuffanschluss
12	12737450/0	2	Vite	Screw	Vis	Schraube
13	12583500/0	2	Grower	Grower	Grower	Grower
14	118716133/0	1	Silenziatore	Muffler	Silenceux	Auspuff
15	12815210/0	2	Vite	Screw	Vis	Schraube
16	12292102/0	2	Dado	Nut	Ecrou	Mutter
17	384598093/0	1	Protezione Silenziatore	Muffler Protection	Protection Silencieux	Auspuffschutz
19	12729601/1	2	Vite	Screw	Vis	Schraube
20	12437504/0	3	Piastrina	Plate	Plaque	Platte
21	18718000/0	1	Siringa	Syringe	Seringue	Spritze
41	84000250/1	1	Acceleratore	Accelerator	Accelérateur	Gas Zug
42	125943012/0	2	Vite	Screw	Vis	Schraube
44	25394501/0	1	Manopolina	Handle	Poigne	Griff
45	12726388/0	1	Vite	Screw	Vis	Schraube
46	12290800/0	1	Dado	Nut	Ecrou	Mutter
80	27110325/2	1	Copertura Motore	Engine Cover	Couvre Moteur	Motorkappe
81	384783049/0	1	Supporto	Support	Support	Halter
82	12154510/0	3	Dado	Nut	Ecrou	Mutter
83	327733007/0	1	Serbatoio	Tank	Reservoir	Tank
84	12791400/0	3	Vite	Screw	Vis	Schraube
85	12521330/0	3	Rondella	Washer	Rondelle	Scheibe
86	27600061/2	1	Protezione Benzina	Guard	Protection	Schutz
87	25795000/1	1	Tappo	Cap	Bouchon	Tankverschluss
88	25869014/0	1	Tubo	Tube	Tube	Rohr





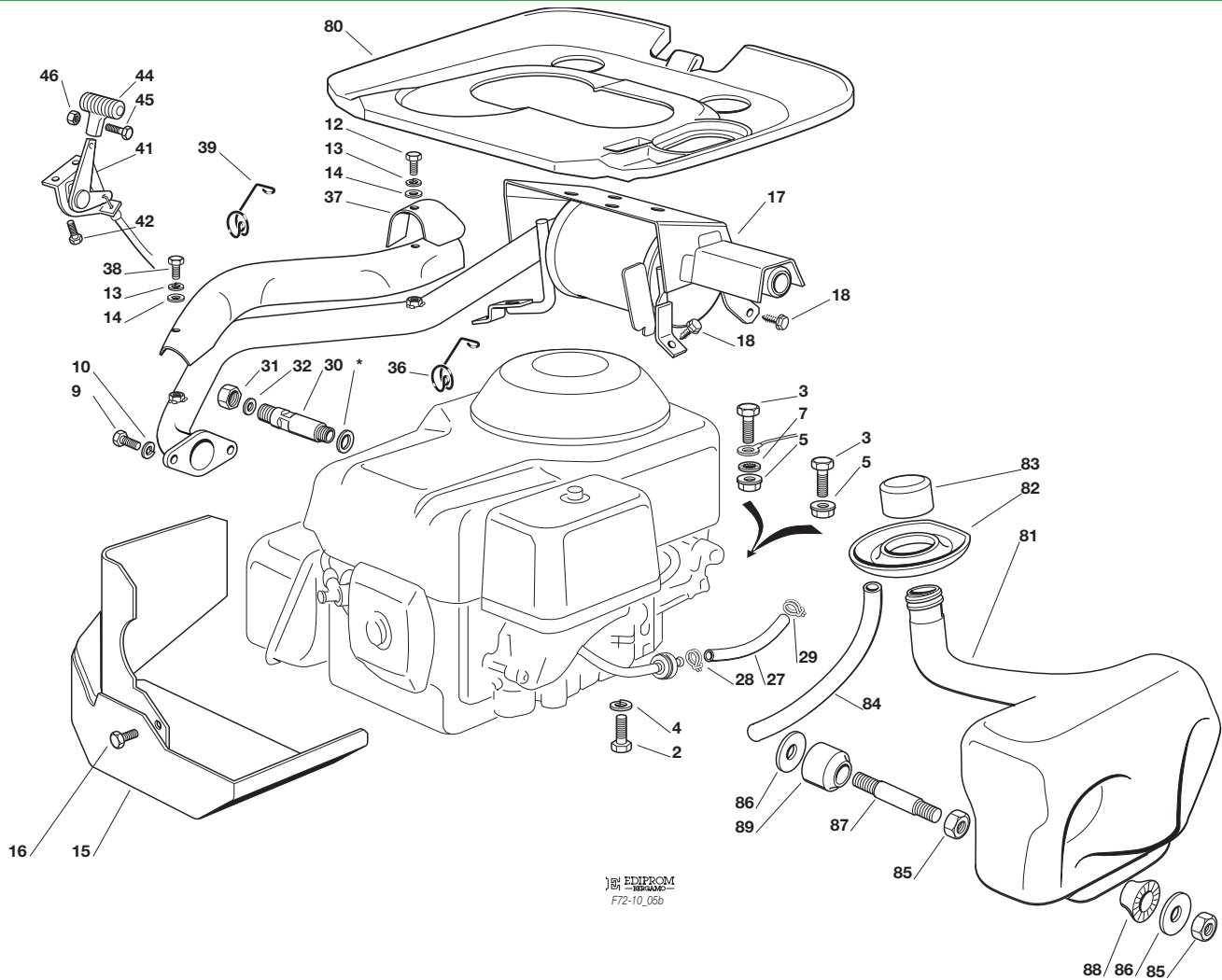
USARE SOLO RICAMBI ORIGINALI!
USE ONLY GENUINE SPARE PARTS!
UTILISER DES PIÈCES DE RECHANGE D'ORIGINE!
NUR ORIGINALERSATZTEILE VERWENDEN!

F72**F72 hydro**
**MOTORE
ENGINE
MOTEUR
MOTOR
HONDA**

2011

2005b.0

1 / 2


 EDIPROM
 F72-10_056

88 / 86 / 85

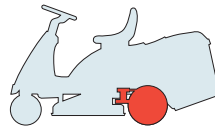
N.	CODE	Q.TY	DESCRIZIONE	DESCRIPTION	DESCRIPTION	BESCHREIBUNG
2	12735802/0	2	Vite	Screw	Vis	Schraube
3	12691100/0	2	Vite	Screw	Vis	Schraube
4	12583500/0	2	Grower	Grower	Grower	Grower
5	12154210/0	2	Dado	Nut	Ecrou	Mutter
7	12540260/0	1	Rosetta	Washer	Connexion Echappement	Auspuffanschluss
9	12793102/0	2	Vite	Screw	Vis	Schraube
10	12583500/0	2	Grower	Grower	Grower	Grower
11	27600063/0	1	Protezione	Guard	Vis	Schraube
12	12727794/0	1	Vite	Screw	Extension Rallonge De Dech. Huile	Öl Entlerungsverlaen Gerung
13	12582100/0	2	Grower	Grower	Bouchon Huile	Oelverschluss
14	12521330/0	2	Rosetta	Washer	Rondelle	Scheibe
15	84598055/0	1	Protezione	Guard	Tube	Rohr
16	12735599/0	1	Vite	Screw	Vis	Schraube
17	384750057/0	1	Silenziatore	Muffler	Silenceux	Auspuff
18	12735120/0	4	Vite	Screw	Vis	Schraube
27	25869035/1	1	Tubo Collegamento	Tube		
28	18375051/1	1	Fascetta	Fair Led	Fixation De Cable	Kabelbefestigung
29	18375053/0	1	Fascetta	Fair Led	Fixation De Cable	Kabelbefestigung
30	27598061/1	1	Prolunga Scarico Olio	Oil Discharge Extension	Extension Rallonge De Dech. Huile	Öl Entlerungsverlaen Gerung
31	18737849/0	1	Tappo Per Prolunga	Oil Cap	Bouchon Huile	Oelverschluss
32	18401001/1	1	Guarnizione	Oil Seal	Garniture	Dichtung
36	27430557/0	1	Molla	Spring	Ressort	Feder
37	27600121/0	1	Protezione	Protection	Protection	Schutz
38	112790500/0	1	Vite	Screw	Vis	Schraube
39	27430582/0	1	Molla	Spring	Ressort	Feder
41	84000251/0	1	Acceleratore	Accelerator	Accelateur	Gas Zug





N.	CODE	Q.TY	DESCRIZIONE	DESCRIPTION	DESCRIPTION	BESCHREIBUNG
42	125943012/0	2	Vite	Screw	Vis	Schraube
44	25394501/0	1	Manopolina	Handle	Poigne	Griff
45	12726388/0	1	Vite	Screw	Vis	Schraube
46	12290800/0	1	Dado	Nut	Ecrou	Mutter
80	27110325/2	1	Copertura Motore	Engine Cover	Couvre Moteur	Motorkappe
81	27733001/3	1	Serbatoio	Tank	Reservoir	Tank
82	27600061/2	1	Protezione Benzina	Guard	Protection	Schutz
83	25795000/1	1	Tappo	Cap	Bouchon	Tankverschluss
84	25869014/0	1	Tubo	Tube	Tube	Rohr
85	12293200/0	4	Dado	Nut	Ecrou	Mutter
86	12523070/0	4	Rosetta	Washer	Rondelle	Scheibe
87	27510098/0	2	Perno	Pin	Pivot	Bolzen
88	12712000/0	2	Gommino	Grommet	Caoutchouc	Gummi
89	12712001/0	2	Gommino	Grommet	Caoutchouc	Gummi

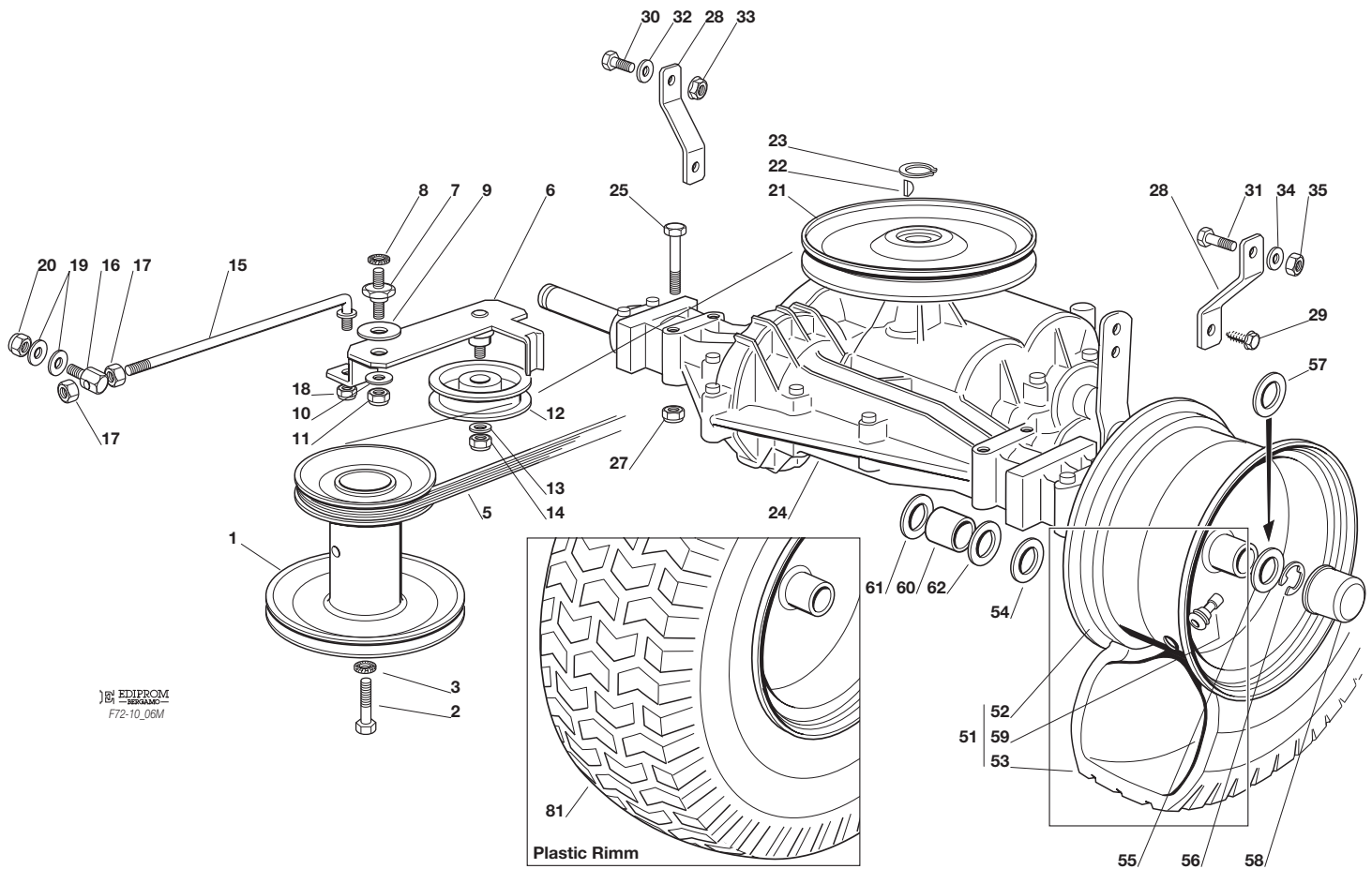


F72*F72 hydro*
TRASMISSIONE
TRANSMISSION
TRANSMISSION
GETRIEBE

2011

2006M.0

1 / 2


 EDIPROM
 F72-10_06M

N.	CODE	Q.TY	DESCRIZIONE	DESCRIPTION	DESCRIPTION	BESCHREIBUNG
1	27604003/1	1	Puleggia	Pulley	Poulie	Riemenscheibe
2	12737310/0	1	Vite	Screw	Vis	Schraube
3	12543000/0	1	Rosetta	Washer	Rondelle	Scheibe
5	35061400/0	1	Cinghia	Belt	Courroie	Riemen
6	84317055/1	1	Leva	Lever	Levier	Hebel
7	27510096/0	1	Perno	Pin	Pivot	Bolzen
8	12540260/0	1	Rondella	Washer	Rondelle	Scheibe
9	22672151/0	1	Rondella	Washer	Rondelle	Scheibe
10	25670011/0	1	Rondella	Washer	Rondelle	Scheibe
11	12155010/0	1	Dado	Nut	Ecrou	Mutter
12	25601554/0	1	Puleggia	Pulley	Poulie	Riemenscheibe
13	12523060/0	1	Rondella	Washer	Rondelle	Scheibe
14	12155000/0	1	Dado	Nut	Ecrou	Mutter
15	27034054/0	1	Tirante	Tie Rod	Tirant	Spannstange
16	25510040/1	1	Perno	Pin	Pivot	Bolzen
17	12293200/0	2	Dado	Nut	Ecrou	Mutter
18	12155000/0	1	Dado	Nut	Ecrou	Mutter
19	25670011/0	2	Rondella	Washer	Rondelle	Scheibe
20	12155000/0	1	Dado	Nut	Ecrou	Mutter
21	82601503/0	1	Puleggia	Pulley	Poulie	Riemenscheibe
22	12139430/0	1	Linguetta	Key	Clavette	Keil
23	12608950/0	1	Anello Elastico	Snap Ring	Anneau Ressort	Sprengring
24	18400917/0	1	Asse Posteriore Dana 4360-210	Rear Axle Dana 4360-210	Axe Arriere Dana 4360-210	Hinterachse Dana 4360-210
25	12691900/0	4	Vite	Screw	Vis	Schraube
27	12154210/0	4	Dado	Nut	Ecrou	Mutter
28	27772067/0	2	Staffa	Clamp	Etrier	Bride
29	12735150/0	2	Vite	Screw	Vis	Schraube
30	12793102/0	1	Vite	Screw	Vis	Schraube
31	12793301/0	1	Vite	Screw	Vis	Schraube



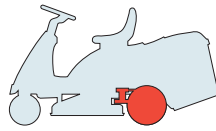


N.	CODE	Q.TY	DESCRIZIONE	DESCRIPTION	DESCRIPTION	BESCHREIBUNG
32	12523060/0	1	Rondella	Washer	Rondelle	Scheibe
33	12293201/0	1	Dado	Nut	Ecrou	Mutter
34	12521350/0	1	Rondella	Washer	Rondelle	Scheibe
35	12155000/0	1	Dado	Nut	Ecrou	Mutter
51	84680053/1	2	Ruota Posteriore	Rear Wheel	Roue Arriere	Hinterrad
52	84044001/0	2	Cerchio Ruota	Rimm	Bandage Roue	Hinterrad Felger
53	27590053/0	2	Pneumatico	Shoe	Pneu	Reifen
54	12521410/0	2	Rondella	Washer	Rondelle	Scheibe
55	25670005/1	2	Rondella	Washer	Rondelle	Scheibe
56	12001010/0	2	Anello Elastico	Snap Ring	Anneau Ressort	Sprengring
57	12520010/0	0-4	Rosetta	Washer	Rondelle	Scheibe
58	22110230/0	2	Coprimozzo	Hub Cover	Couvre Moyeu	Nabendeckel
59	25950000/0	2	Valvola	Valve	Soupape	Ventil
60	25160034/0	2	Distanziale	Spacer	Entretoise	Entfernungsstück
61	25670005/1	2	Distanziale	Spacer	Entretoise	Entfernungsstück
62	25670006/0	2	Distanziale	Spacer	Entretoise	Entfernungsstück
81	384680061/0	2	Ruota Posteriore	Rear Wheel	Roue Arriere	Hinterrad



F72

F72 hydro

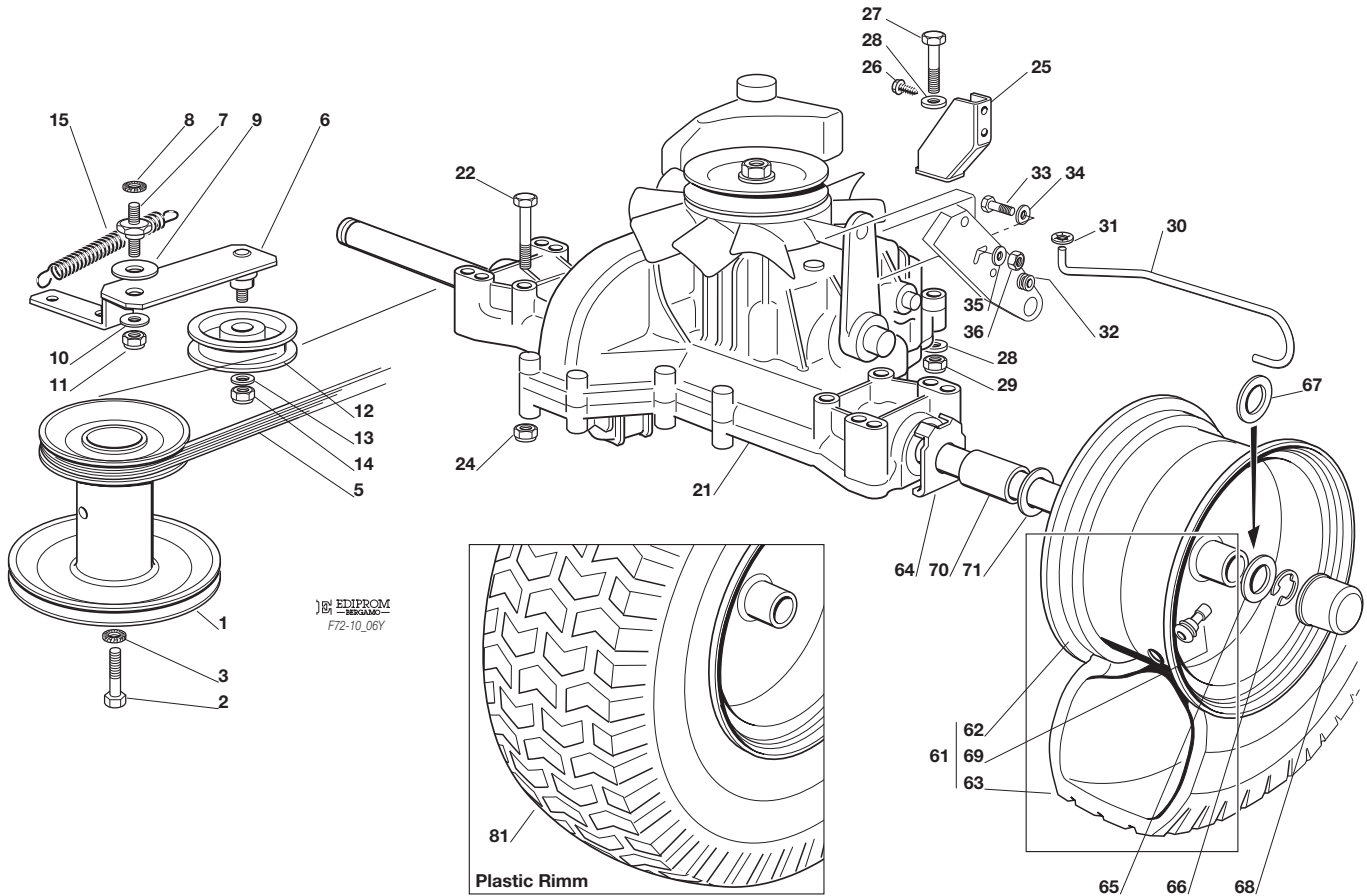


TRASMISSIONE
TRANSMISSION
TRANSMISSION
GETRIEBE
TUFF-TORQ

2011

2006Y.0

1 / 2



N.	CODE	Q.TY	DESCRIZIONE	DESCRIPTION	DESCRIPTION	BESCHREIBUNG
1	27604005/0	1	Puleggia	Pulley	Poulie	Riemenscheibe
2	12737310/0	1	Vite	Screw	Vis	Schraube
3	12543000/0	1	Rosetta	Washer	Rondelle	Scheibe
5	35061404/0	1	Cinghia	Belt	Courroie	Riemen
6	84317081/0	1	Leva	Lever	Levier	Hebel
7	27510096/0	1	Perno	Pin	Pivot	Bolzen
8	12540260/0	1	Rondella	Washer	Rondelle	Scheibe
9	22672151/0	1	Rondella	Washer	Rondelle	Scheibe
10	25670011/0	1	Rondella	Washer	Rondelle	Scheibe
11	12155010/0	1	Dado	Nut	Ecrou	Mutter
12	25601554/0	1	Puleggia	Pulley	Poulie	Riemenscheibe
13	12523060/0	1	Rondella	Washer	Rondelle	Scheibe
14	12155000/0	1	Dado	Nut	Ecrou	Mutter
15	22446402/0	1	Molla	Spring	Ressort	Feder
21	18400965/0	1	Asse Posteriore Tuff-Torq K46T	Rear Axle Tuff-Torq K46T	Axe Arriere Tuff-Torq K46T	Hinterachse Tuff-Torq K46T
22	12691800/0	4	Vite	Screw	Vis	Schraube
24	12154210/0	4	Dado	Nut	Ecrou	Mutter
25	84783019/0	1	Supporto	Support	Support	Halter
26	12735121/0	1	Vite	Screw	Vis	Schraube
27	12691200/0	1	Vite	Screw	Vis	Schraube
28	12521350/0	1	Rondella	Washer	Rondelle	Scheibe
29	12155000/0	1	Dado	Nut	Ecrou	Mutter
30	27034069/0	1	Leva	Lever	Levier	Hebel
31	12000930/0	1	Fissatore A Corona	Crown Fastener	Fixateur A Couronne	Kronescheibe
32	18564512/0	1	Passacavo	Fair Lead	Passe Cable	Kabeldurchgang
33	12793301/0	1	Vite	Screw	Vis	Schraube
34	12523060/0	1	Rondella	Washer	Rondelle	Scheibe



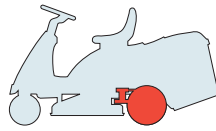


N.	CODE	Q.TY	DESCRIZIONE	DESCRIPTION	DESCRIPTION	BESCHREIBUNG
35	12521350/0	1	Rondella	Washer	Rondelle	Scheiber
36	12155000/0	1	Dado	Nut	Ecrou	Mutter
61	84680053/1	2	Ruota Posteriore	Rear Wheel	Roue Arriere	Hinterrad
62	84044001/0	2	Cerchio Ruota	Rimm	Bandage Roue	Hinterrad Felger
63	27590053/0	2	Pneumatico	Shoe	Pneu	Reifen
64	325670025/0	2	Rondella	Washer	Rondelle	Scheibe
65	25670005/1	2	Rondella	Washer	Rondelle	Scheibe
66	12001010/0	2	Anello Elastico	Snap Ring	Anneau Ressort	Sprengring
67	25670006/0	0-4	Rosetta	Washer	Rondelle	Scheibe
68	22110230/0	2	Coprimozzo	Hub Cover	Couvre Moyeu	Nabendeckel
69	25950000/0	2	Valvola	Valve	Soupape	Ventil
70	25160031/0	2	Distanziale	Spacer	Entretoise	Entfernungsstück
71	25670005/1	2	Rosetta	Washer	Rondelle	Scheibe
81	384680061/0	2	Ruota Posteriore	Rear Wheel	Roue Arriere	Hinterrad



F72

F72 hydro

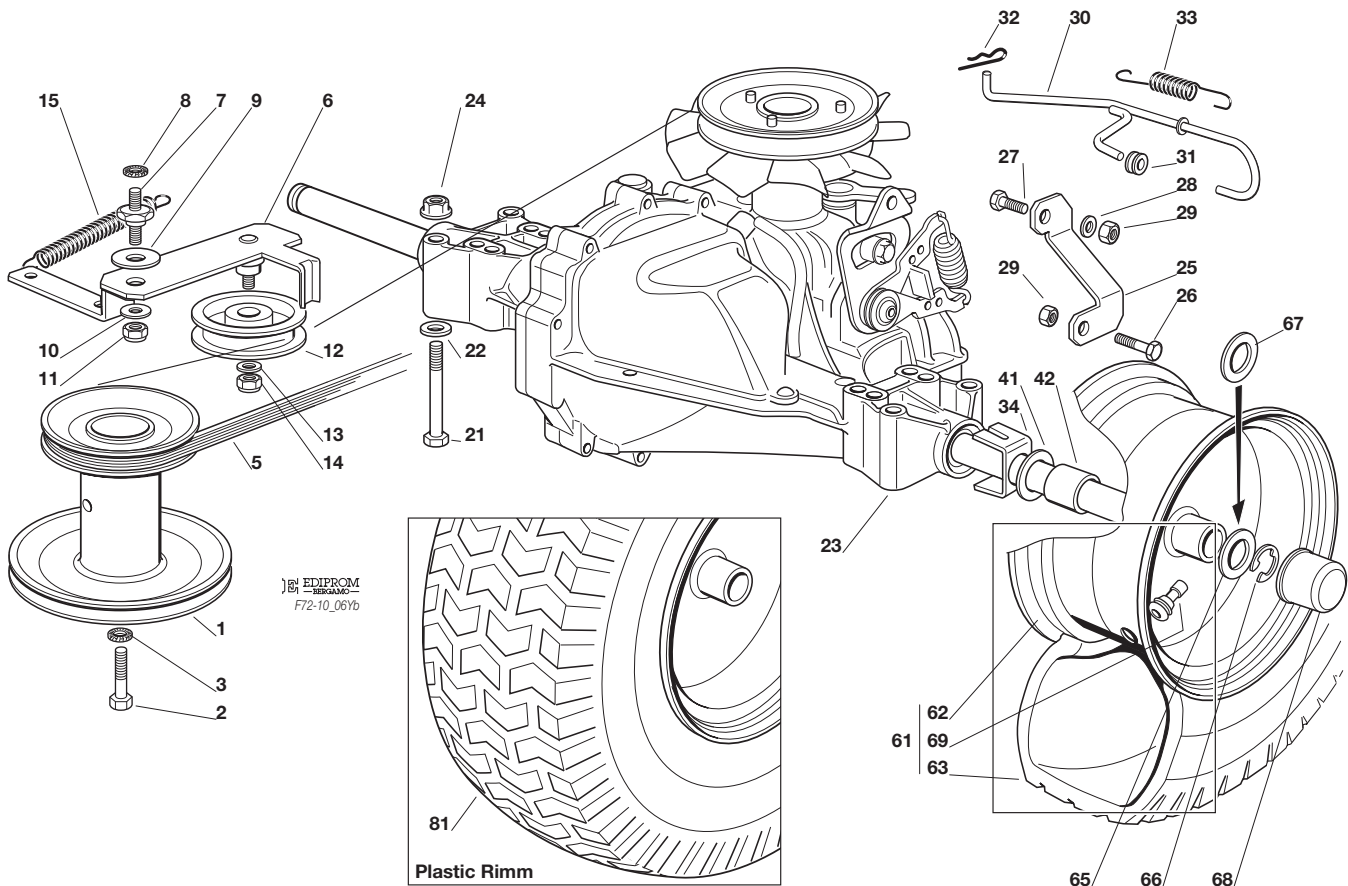


TRASMISSIONE
TRANSMISSION
TRANSMISSION
GETRIEBE
HYDRO-GEAR

2011

2006Yb.0

1 / 2



EDIPROM
F72-10_06Yb

Plastic Rimm

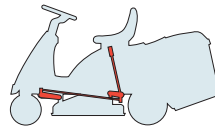
N.	CODE	Q.TY	DESCRIZIONE	DESCRIPTION	DESCRIPTION	BESCHREIBUNG
1	27604005/0	1	Puleggia	Pulley	Poulie	Riemenscheibe
2	12737310/0	1	Vite	Screw	Vis	Schraube
3	12543000/0	1	Rosetta	Washer	Rondelle	Scheibe
5	135061407/0	1	Cinghia	Belt	Courroie	Riemen
6	84317067/1	1	Leva	Lever	Levier	Hebel
7	27510096/0	1	Perno	Pin	Pivot	Bolzen
8	12540260/0	1	Rondella	Washer	Rondelle	Scheibe
9	22672151/0	1	Rondella	Washer	Rondelle	Scheibe
10	25670011/0	1	Rondella	Washer	Rondelle	Scheibe
11	12155010/0	1	Dado	Nut	Ecrou	Mutter
12	25601554/0	1	Puleggia	Pulley	Poulie	Riemenscheibe
13	12523060/0	1	Rondella	Washer	Rondelle	Scheibe
14	12155000/0	1	Dado	Nut	Ecrou	Mutter
15	22446402/0	1	Molla	Spring	Ressort	Feder
21	12691800/0	4	Vite	Screw	Vis	Schraube
23	118400976/1	1	Asse Posteriore Hydro-Gear T2-BDBE-2X1A-1MX1	Rear Axle Hydro-Gear T2-BDBE-2X1A-1MX1	Axe Arriere Hydro-Gear T2-BDBE-2X1A-1MX1	Hinterachse Hydro-Gear T2-BDBE-2X1A-1MX1
24	12154210/0	4	Dado	Nut	Ecrou	Mutter
25	327787075/0	1	Supporto	Support	Support	Halter
26	12691400/0	1	Vite	Screw	Vis	Schraube
27	12793102/0	1	Vite	Screw	Vis	Schraube
28	12521350/0	1	Rondella	Washer	Rondelle	Scheibe
29	12155000/0	2	Dado	Nut	Ecrou	Mutter
30	384002087/0	1	Leva	Lever	Levier	Hebel
31	18564512/0	1	Gommino	Grommet	Protection	Schutz
32	24487997/0	1	Coppiglia	Cotter Pin	Goupille	Splint
33	25430213/0	1	Molla	Spring	Ressort	Feder
34	327670058/0	2	Rondella	Washer	Rondelle	Scheibe





N.	CODE	Q.TY	DESCRIZIONE	DESCRIPTION	DESCRIPTION	BESCHREIBUNG
41	25670006/0	2	Rosetta	Washer	Rondelle	Scheibe
42	127160059/0	2	Distanziale	Spacer	Entretoise	Entfernungsstück
61	84680053/1	2	Ruota Posteriore	Rear Wheel	Roue Arriere	Hinterrad
62	84044001/0	2	Cerchio Ruota	Rimm	Bandage Roue	Hinterrad Felger
63	27590053/0	2	Pneumatico	Shoe	Pneu	Reifen
65	25670005/1	2	Rondella	Washer	Rondelle	Scheibe
66	12001010/0	2	Anello Elastico	Snap Ring	Anneau Ressort	Sprengring
67	25670006/0	0-4	Rosetta	Washer	Rondelle	Scheibe
68	22110230/0	2	Coprimozzo	Hub Cover	Couvre Moyeu	Nabendeckel
69	25950000/0	2	Valvola	Valve	Soupape	Ventil
81	384680061/0	2	Ruota Posteriore	Rear Wheel	Roue Arriere	Hinterrad



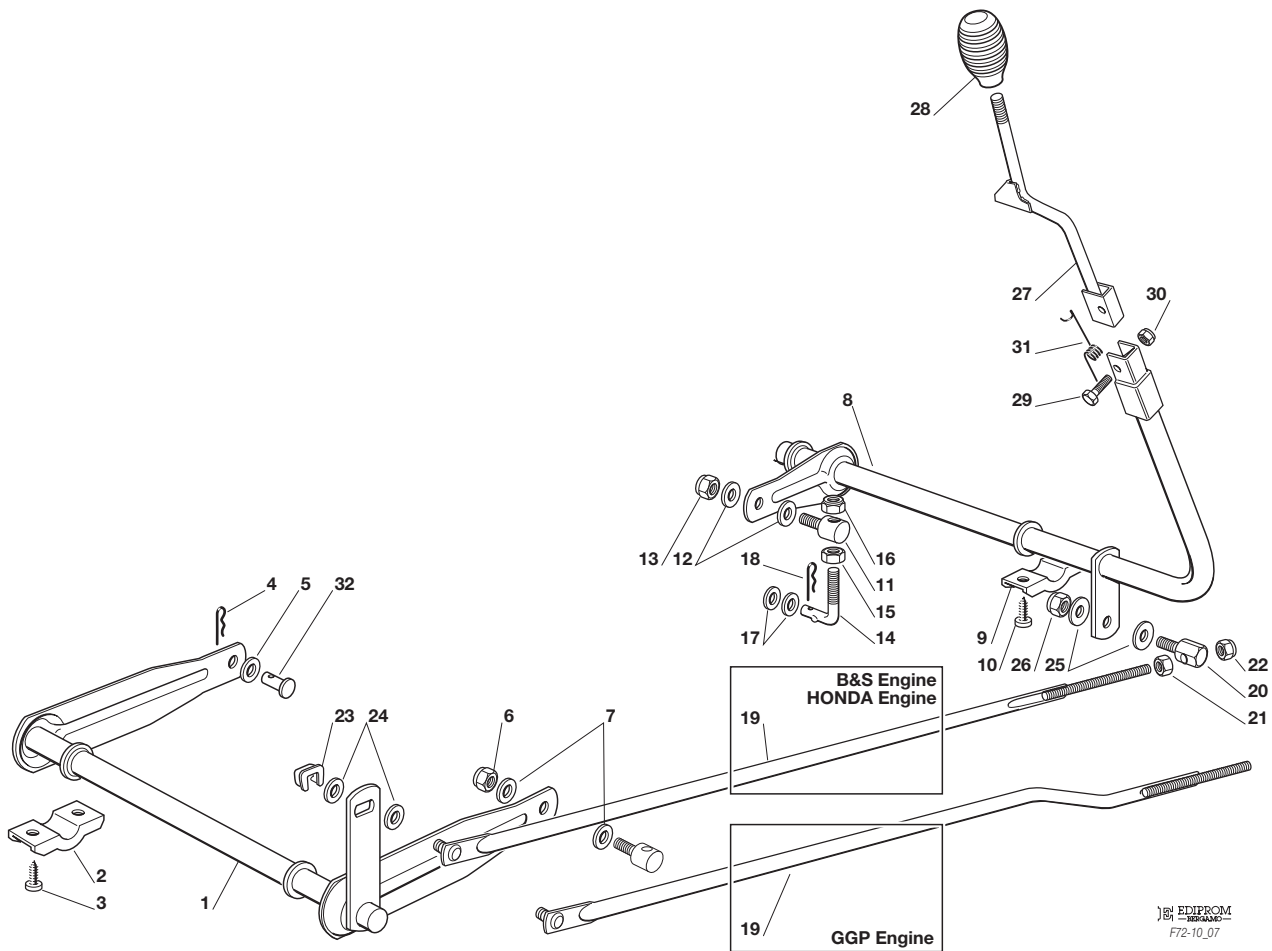
F72**F72 hydro**

SOLLEVAMENTO PIATTO DI TAGLIO
CUTTING PLATE LIFTING
SOULEVEMENT PLATEAU DE COUPE
SCHNEIDWERKZEUG AUFHEBESATZ

2011

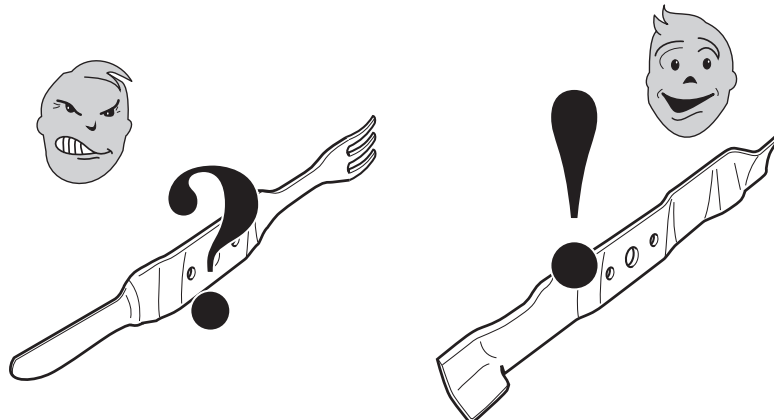
2007.0

1 / 1

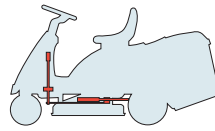


N.	CODE	Q.TY	DESCRIZIONE	DESCRIPTION	DESCRIPTION	BESCHREIBUNG
1	84001025/0	1	Asse Fulcro Piatto	Axle	Axe	Achse
2	27546015/1	2	Piastrina	Plate	Plaque	Platte
3	12731350/0	4	Vite	Screw	Vis	Schraube
4	24487997/0	1	Coppiglia	Cotter Pin	Goupille	Splint
5	25670008/1	1	Rondella	Washer	Rondelle	Scheibe
6	12156602/0	1	Dado	Nut	Ecrou	Mutter
7	25670008/1	2	Rondella	Washer	Rondelle	Scheibe
8	84001005/2	1	Asse Fulcro Piatto	Axle	Axe	Achse
9	27546015/1	2	Piastrina	Plate	Plaque	Platte
10	12731350/0	4	Vite	Screw	Vis	Schraube
11	125510007/2	1	Perno	Pin	Pivot	Bolzen
12	25670008/1	2	Rondella	Washer	Rondelle	Scheibe
13	12156602/0	1	Dado	Nut	Ecrou	Mutter
14	25840003/2	1	Tirante	Tie Rod	Tirant	Spannstange
15	12295200/0	1	Dado	Nut	Ecrou	Mutter
16	12156602/0	1	Dado	Nut	Ecrou	Mutter
17	22672150/0	2	Rondella	Washer	Rondelle	Scheibe
18	24487997/0	1	Coppiglia	Cotter Pin	Goupille	Splint
19	84002051/0	1	Asta Collegamento (B&S - Honda)	Rod (B&S - Honda)	Tige (B&S - Honda)	Stab (B&S - Honda)
19	184002089/0	1	Asta Collegamento (GGP)	Rod (GGP)	Tige (GGP)	Stab (GGP)
20	25510040/1	1	Perno	Pin	Pivot	Bolzen
21	12293200/0	1	Dado	Nut	Ecrou	Mutter
22	12155000/0	1	Dado	Nut	Ecrou	Mutter
23	12436050/0	1	Piastrina	Plate	Plaque	Platte
24	25670011/0	2	Rondella	Washer	Rondelle	Scheibe
25	25670011/0	2	Rondella	Washer	Rondelle	Scheibe
26	12155000/0	1	Dado	Nut	Ecrou	Mutter
27	84317065/1	1	Leva Sollevamento	Lever	Levier	Hebel
28	25394510/0	1	Manopola	Knob	Poignee	Griff
29	12674700/0	1	Vite	Screw	Vis	Schraube
30	12154510/0	1	Dado	Nut	Ecrou	Mutter
31	27430555/0	1	Molla	Spring	Ressort	Feder
32	27510114/0	1	Perno	Pin	Pivot	Bolzen





USARE SOLO RICAMBI ORIGINALI!
USE ONLY GENUINE SPARE PARTS!
UTILISER DES PIÈCES DE RECHANGE D'ORIGINE!
NUR ORIGINALERSATZTEILE VERWENDEN!

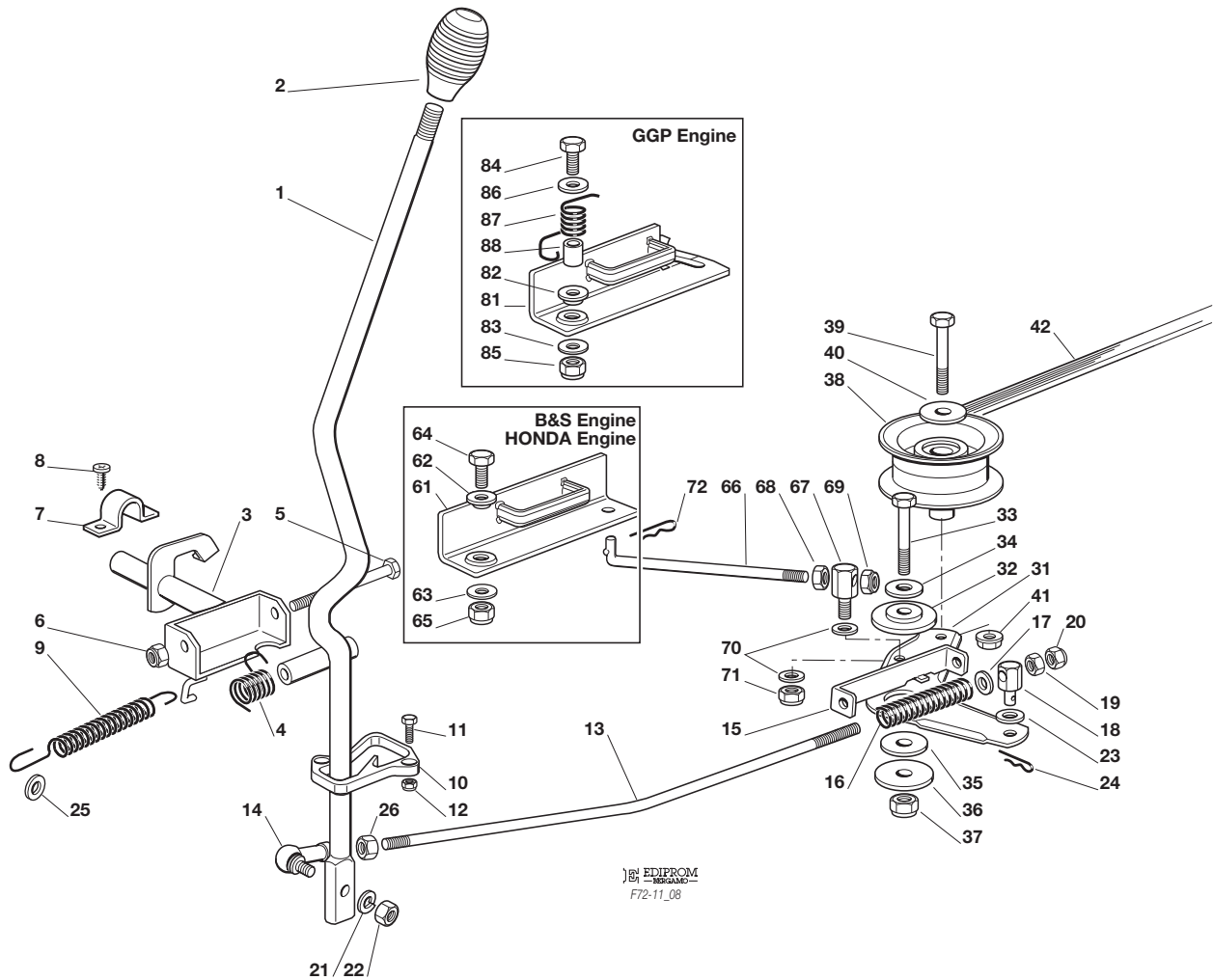
F72**F72 hydro**

PIATTO DI TAGLIO (1)
CUTTING PLATE (1)
PLATEAU DE COUPE (1)
SCHNEIDWERKZEUG (1)

2011

2008.0

1 / 2



N.	CODE	Q.TY	DESCRIZIONE	DESCRIPTION	DESCRIPTION	BESCHREIBUNG
1	84317069/0	1	Leva	Lever	Levier	Hebel
2	25394510/0	1	Manopola	Knob	Poignee	Griff
3	84001007/0	1	Asse Innesto Lama	Axle	Axe	Achse
4	25430226/0	1	Molla	Spring	Ressort	Feder
5	12692050/0	1	Vite	Screw	Vis	Schraube
6	12155000/0	1	Dado	Nut	Ecrou	Mutter
7	25547049/0	2	Piastrina	Plate	Plaque	Platte
8	12731601/0	4	Vite	Screw	Vis	Schraube
9	27430571/0	1	Molla	Spring	Ressort	Feder
10	27487000/0	1	Pattino	Shoe	Bloc De Glissement	Gleitblock
11	112791200/1	2	Vite	Screw	Vis	Schraube
12	12154510/0	2	Dado	Nut	Ecrou	Mutter
13	27034078/0	1	Asta	Rod	Tige	Stab
14	122746610/0	1	Snodo	Joint	Joint	Gelenk
15	27772143/0	1	Staffa	Clamp	Etrier	Bride
16	27430576/0	1	Molla	Spring	Ressort	Feder
17	12521350/0	1	Rondella	Washer	Rondelle	Scheibe
18	27510113/0	1	Perno	Pin	Pivot	Bolzen
19	12293200/0	1	Dado	Nut	Ecrou	Mutter
20	12155000/0	1	Dado	Nut	Ecrou	Mutter
21	12583500/0	1	Grower	Grower	Grower	Grower
22	12293200/0	1	Dado	Nut	Ecrou	Mutter
23	25670008/1	1	Rondella	Washer	Rondelle	Scheibe
24	24487997/0	1	Coppiglia	Cotter Pin	Goupille	Splint
25	25670006/0	1	Rondella	Washer	Rondelle	Scheibe
26	12293200/0	1	Dado	Nut	Ecrou	Mutter
31	84317083/0	1	Leva	Lever	Levier	Hebel
32	27047000/0	1	Bussola	Bush	Douille	Büchse





N.	CODE	Q.TY	DESCRIZIONE	DESCRIPTION	DESCRIPTION	BESCHREIBUNG
33	12691200/0	1	Vite	Screw	Vis	Schraube
34	12523060/0	1	Rondella	Washer	Rondelle	Scheibe
35	22672152/0	1	Rondella	Washer	Rondelle	Scheibe
36	12523070/0	1	Rondella	Washer	Rondelle	Scheibe
37	12155000/0	1	Dado	Nut	Ecrou	Mutter
38	27604008/0	1	Puleggia	Pulley	Poulie	Riemenscheibe
39	12691600/0	1	Vite	Screw	Vis	Schraube
40	12523060/0	1	Rosetta	Washer	Rondelle	Scheibe
41	12293201/0	1	Dado	Nut	Ecrou	Mutter
42	35061423/0	1	Cinghia	Belt	Courroie	Riemen
66	27034077/0	1	Asta	Rod	Tige	Stab
67	25510040/1	1	Perno	Pin	Pivot	Bolzen
68	12293200/0	1	Dado	Nut	Ecrou	Mutter
69	12155000/0	1	Dado	Nut	Ecrou	Mutter
70	25670011/0	2	Rondella	Washer	Rondelle	Scheibe
71	12155000/0	1	Dado	Nut	Ecrou	Mutter
72	24487997/0	1	Coppiglia	Cotter Pin	Goupille	Splint

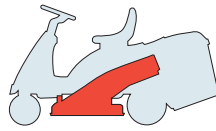
Modelli con motore B&S-Honda Models with B&S-Honda engine Modèles avec moteur B&S-Honda Modellen mit Motor B&S-Honda

61	84220501/0	1	Freno Lama	Brake	Frein	Bremse
62	22041980/0	1	Bussola	Bush	Douille	Büchse
63	22672152/0	1	Rondella	Washer	Rondelle	Scheibe
64	12793102/0	1	Vite	Screw	Vis	Schraube
65	12155010/0	1	Dado	Nut	Ecrou	Mutter

Modelli con motore GGP Models with GGP engine Modèles avec moteur GGP Modellen mit Motor GGP

81	84220503/0	1	Freno Lama	Brake	Frein	Bremse
82	22041980/0	1	Bussola	Bush	Douille	Büchse
83	22672152/0	1	Rosetta	Washer	Rondelle	Scheibe
84	12691115/0	1	Vite	Screw	Vis	Schraube
85	12155010/0	1	Dado	Nut	Ecrou	Mutter
86	12521350/0	1	Rosetta	Washer	Rondelle	Scheibe
87	27430566/0	1	Molla	Spring	Ressort	Feder
88	27160057/0	1	Distanziale	Spacer	Entretoise	Entfernungsstück



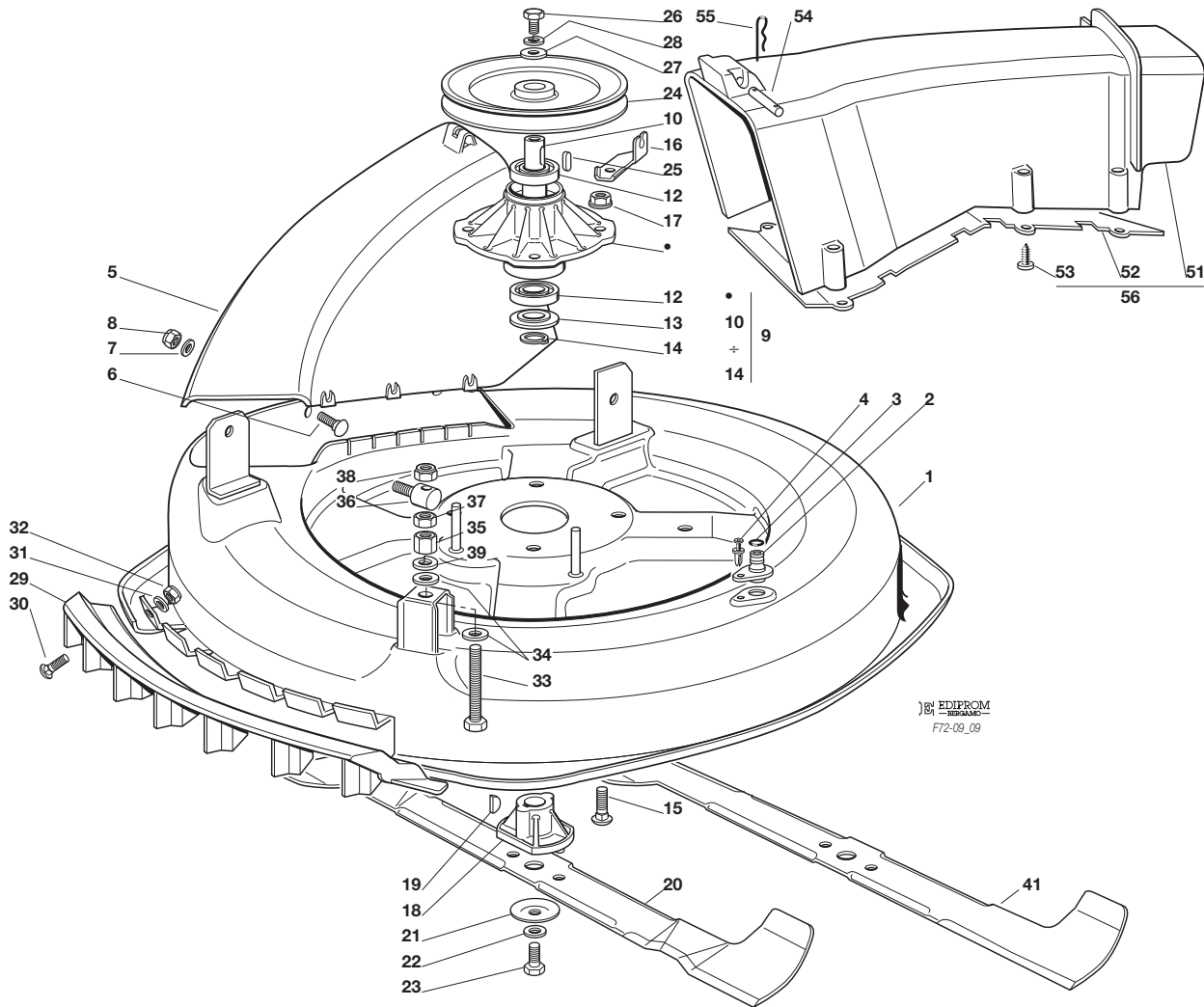
F72**F72 hydro**

PIATTO DI TAGLIO (2)
CUTTING PLATE (2)
PLATEAU DE COUPE (2)
SCHNEIDWERKZEUG (2)

2011

2009.0

1 / 2



EDIPROM
 F72-09_09

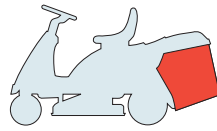
N.	CODE	Q.TY	DESCRIZIONE	DESCRIPTION	DESCRIPTION	BESCHREIBUNG
1	384564075/1	1	Piatto, Nero	Plate, Black	Plateau, Noir	Schneid, Schwarz
1	384564079/1	1	Piatto, Rosso	Plate, Red	Plateau, Rouge	Schneid, Rot
2	25033060/0	1	Attacco	Water Hose Connection	Raccord Tuyau D'Eau	Wasseranschluss
3	19035000/0	1	Anello Or	O Ring	O Ring	O Ring
4	12500030/0	1	Rivetto	Rivet	Rivet	Niet
5	27045000/1	1	Bocca Convogliatore	Conveyor Inlet	Bouche Convoyeur	Blechsatzeingang
6	12815210/0	6	Vite	Screw	Vis	Schraube
7	12523040/0	6	Rosetta	Washer	Rondelle	Scheibe
8	12154510/0	6	Dado	Nut	Ecrou	Mutter
9	84207250/0	1	Ass. Flangia (10÷14)	Flange Ass.Y (10÷14)	Ens. Bride (10÷14)	Nabe, Komplet (10÷14)
10	27023000/0	1	Albero	Shaft	Arbre	Welle
12	119216047/0	2	Cuscinetto	Bearing	Roulement	Kuegellager
13	25160501/0	1	Disco Parapolvere	Dust Cover	Protege-Poussiere	Staubschuttscheibe
14	12609260/0	1	Seeger	Seeger	Seeger	Seeger
15	12818700/0	4	Vite	Screw	Vis	Schraube
16	27787067/0	1	Supporto (Ggp)	Support (Ggp)	Support (Ggp)	Halter (Ggp)
17	12154210/0	4	Dado	Nut	Ecrou	Mutter
18	25463200/0	1	Mozzo Coltello	Blade Hub	Moyeu Lame	Messerhalter
19	12139100/0	1	Linguetta	Key	Clavette	Keil
20	84109503/0	1	Coltello Mulching Alettato	Blade Mulching, Winged	Lame Mulching, Aillettee	Messer Mulching, Flügel
21	22160400/0	1	Disco Elastico	Elastic Washer	Rondelle Elastique	Federscheibe
22	12523080/0	1	Rondella	Washer	Rondelle	Scheibe
23	12735694/0	1	Vite	Screw	Vis	Schraube
24	27604009/0	1	Puleggia	Pulley	Poulie	Riemenscheibe
25	12139480/0	1	Chiavetta	Key	Clavette	Keil
26	12793102/0	1	Vite	Screw	Vis	Schraube
27	25670007/0	1	Rondella	Washer	Rondelle	Scheibe
28	12583500/0	1	Grower	Grower	Grower	Grower
29	27488000/0	1	Griglia Aspirazione	Air Intake Grill	Grille D'Aspiration	Ansauggitter
30	12815200/0	4	Vite	Screw	Vis	Schraube





N.	CODE	Q.TY	DESCRIZIONE	DESCRIPTION	DESCRIPTION	BESCHREIBUNG
31	12521340/0	4	Rosetta	Washer	Rondelle	Scheibe
32	12154510/0	4	Dado	Nut	Ecrou	Mutter
33	12794970/0	1	Vite	Screw	Vis	Schraube
34	12523080/0	2	Rosetta	Washer	Rondelle	Scheibe
35	12154250/0	1	Dado	Nut	Ecrou	Mutter
36	125510007/2	1	Perno	Pin	Pivot	Bolzen
37	12295200/0	1	Dado	Nut	Ecrou	Mutter
38	12156602/0	1	Dado	Nut	Ecrou	Mutter
39	12585100/0	1	Grower	Grower	Grower	Grower
41	84109502/0	1	Coltello Alettato	Blade, Winged	Lame, Aillettee	Messer, Flügel
51	27107501/0	1	Convogliatore	Conveyor	Convoyeur	Blechsatz
52	27140051/1	1	Deflettore	Deflector	Deflecteur	Abweiser
53	12735402/0	8	Vite	Screw	Vis	Schraube
54	27510097/1	1	Perno	Pin	Pivot	Bolzen
55	24487997/0	2	Coppiglia	Cotter Pin	Goupille	Splint
56	84108051/0	1	Ass. Convogliatore (51, 52, 53)	Conveyor Ass.Y (51, 52, 53)	Ens. Convoyeur (51, 52, 53)	Blechsatz, Komplet (51, 52, 53)



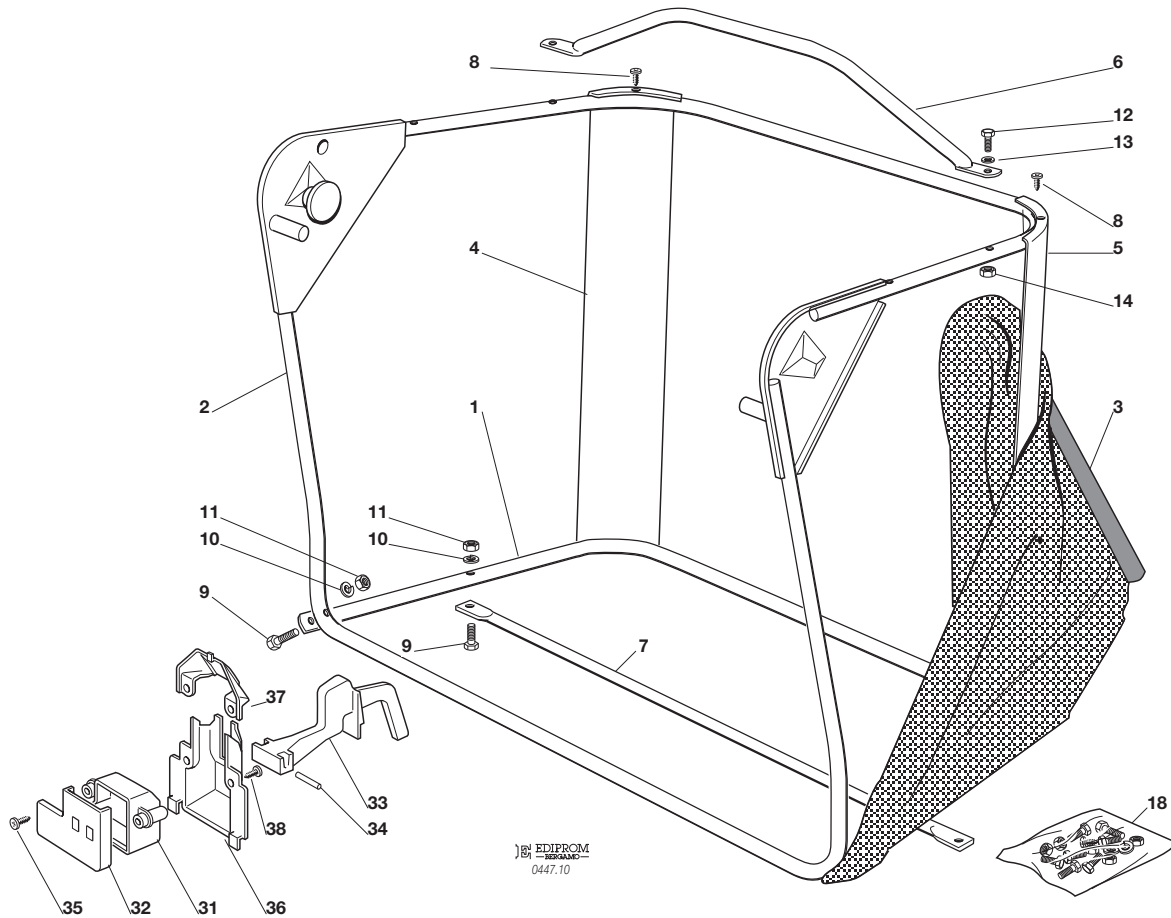
F72**F72 hydro**

**SACCO
GRASSCATCHER
BAC
AUFFANGSACK**

2011

2010.0

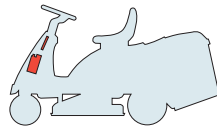
1 / 1



EDIPROM
0447.10

N.	CODE	Q.TY	DESCRIZIONE	DESCRIPTION	DESCRIPTION	BESCHREIBUNG
1	84801103/0	1	Telaio Inferiore	Lower Frame	Chassis Inferieur	Unterrahmen
2	84801105/1	1	Telaio Superiore	Upper Frame	Chassis Superieur	Obererrahmen
3	184106069/0	1	Confezione Sacco	Grasscatcher	Bac	Sack
4	27010205/0	1	Angolare Destro	Right Angular Support	Support Angulaire	Rechter Halter
5	27010207/0	1	Angolare Sinistro	Left Angular Support	Support Angulaire	Linker Halter
6	84869051/0	1	Tube	Rod	Tige	Stange
7	84650100/0	1	Rinforzo	Stiffening	Renforcement	Verstaerkung
8	12729601/1	4	Vite	Screw	Vis	Schraube
9	12792099/0	4	Vite	Screw	Vis	Schraube
10	12582101/0	4	Grower	Grower	Grower	Grower
11	12292100/0	4	Dado	Nut	Ecrou	Mutter
12	12674701/0	2	Vite	Screw	Vis	Schraube
13	12521331/0	2	Rondella	Washer	Rondelle	Scheibe
14	12154510/0	2	Dado	Nut	Ecrou	Mutter
18	84180180/0	1	Dotazione Viteria (8÷14)	Screws Outfit (8÷14)	Ensemble Des Vis (8÷14)	Schraubenausru"stung (8÷14)
31	25600041/0	1	Protezione Micro	Micro Protection	Protection Micro	Schutz
32	25600042/0	1	Coperchio Protezione	Protection Cover	Couvercle Protection	Schutzdeckel
33	25318124/0	1	Leva	Lever	Levier	Hebel
34	12400030/0	1	Perno	Pin	Pivot	Bolzen
35	12728510/0	1	Vite	Screw	Vis	Schraube
36	25600047/0	1	Protezione Micro	Micro Protection	Protection Micro	Schutz
37	25600048/0	1	Chiusura Deflettore	Deflector Cover	Couvercle Deflecteur	Abweiserdeckel
38	12728450/0	2	Vite	Screw	Vis	Schraube



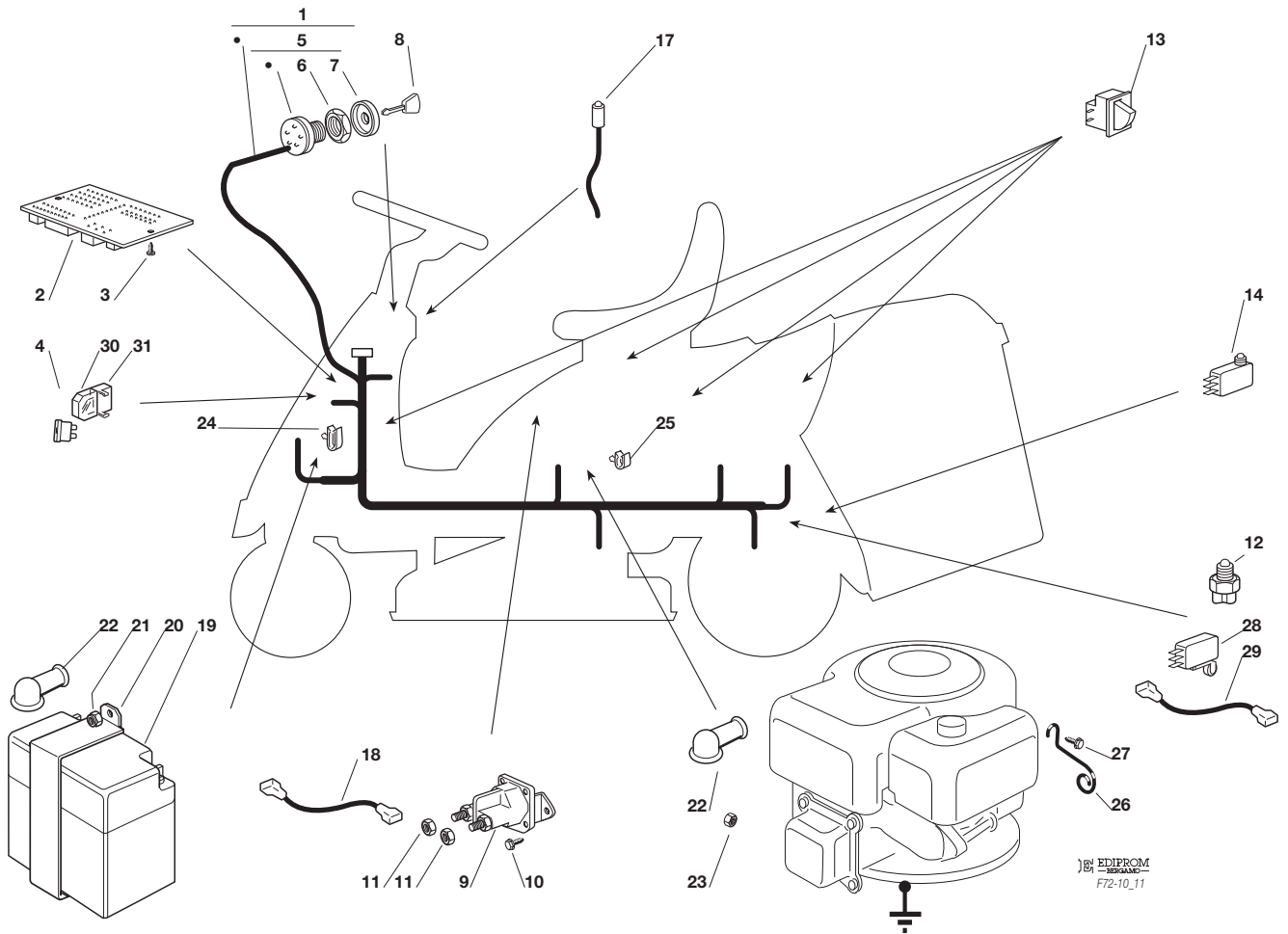
F72**F72 hydro**

PARTI ELETTRICHE
ELECTRICAL PARTS
PARTIES ELECTRIQUES
ELETRISCHE TEILE

2011

2011.0

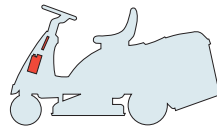
1 / 1



EDIPROM
 F72-10_11

N.	CODE	Q.TY	DESCRIZIONE	DESCRIPTION	DESCRIPTION	BESCHREIBUNG
1	184040126/2	1	Cablaggio	Cables	Cablages	Kabelsatz
2	25722415/1	1	Scheda Elettronica	Electronic Card	Carte Electronique	Elektronische Karte
3	12727810/0	2	Vite	Screw	Vis	Schraube
4	33340040/0	1	Fusibile 10 A	Fuse 10 A	Fusible 10 A	Sicherung 10 A
4	33340036/0	1	Fusibile 25 A	Fuse 25 A	Fusible 25 A	Sicherung 25 A
5	18450065/1	1	Interruttore Avviamento	Starting Switch	Interrupteur Demarrage	Schalter
6	18400861/0	1	Ghiera	Screwed Ring	Embout	Nutmutter
7	18565351/0	1	Protezione Ghiera	Screwed Ring Protection	Protection Embout	Nutmutter Schutz
8	18210016/1	1	Chiave Avviamento	Starting Key	Clef A Demarrage	Schlüssel Für Start
9	18736110/0	1	Relé Avviamento	Starter Relay	Relais D'Allumage	Anlassrelais
10	12735110/0	2	Vite	Screw	Vis	Schraube
11	12360352/0	2	Dado	Nut	Ecrou	Mutter
12	19410610/0	1	Interrutt. Cambio (Mecc.)	Gearbox Switch (Mech.)	Int. Boîte De Vitesse (Mec.)	Antrieb Schalter (Mech.)
13	119410615/0	4	Micro Interruttore	Microswitch	Microinterrupteur	Mikroschalter
14	19410605/1	1	Micro Sacco Pieno	Full Grasscatc. Micro	Micro Bac Plein	Vollkorb Vorrichtung
17	25065014/1	1	Cavo Led Segnalazione	Cable	Cables	Kabel
18	27065050/0	1	Cavo Batteria Solenoide	Cable	Cables	Kabel
19	18120002/1	1	Batteria	Battery	Batterie	Batterie
20	27772099/1	1	Staffa	Clamp	Etrier	Bride
21	12155000/0	1	Dado	Nut	Ecrou	Mutter
22	18564861/1	2	Cappuccio	Protection	Capuchon	Stecker
23	12361005/0	1	Dado	Nut	Ecrou	Mutter
24	33320506/0	3	Fermacavo	Fairlead	Fixation Cable	Kabelbefestigung
25	33320504/0	1	Fermacavo	Fairlead	Fixation Cable	Kabelbefestigung
26	27430561/0	1	Molla	Spring	Ressort	Feder
27	12735121/0	1	Vite	Screw	Vis	Schraube
28	19410609/0	1	Interrutt. Folle (Hydro)	Microswitch (Hydro)	Microinterrupteur (Hydro)	Mikroschalter (Hydro)
29	25065025/0	1	Cavo Micro Folle (Hydro)	Cable (Hydro)	Cables (Hydro)	Kabel (Hydro)
30	33215000/0	2	Coperchio	Cover	Couvercle	Deckel
31	33500007/0	2	Portafusibile	Fuse Carrier	Tableau De Fusible	Sicherunghalter

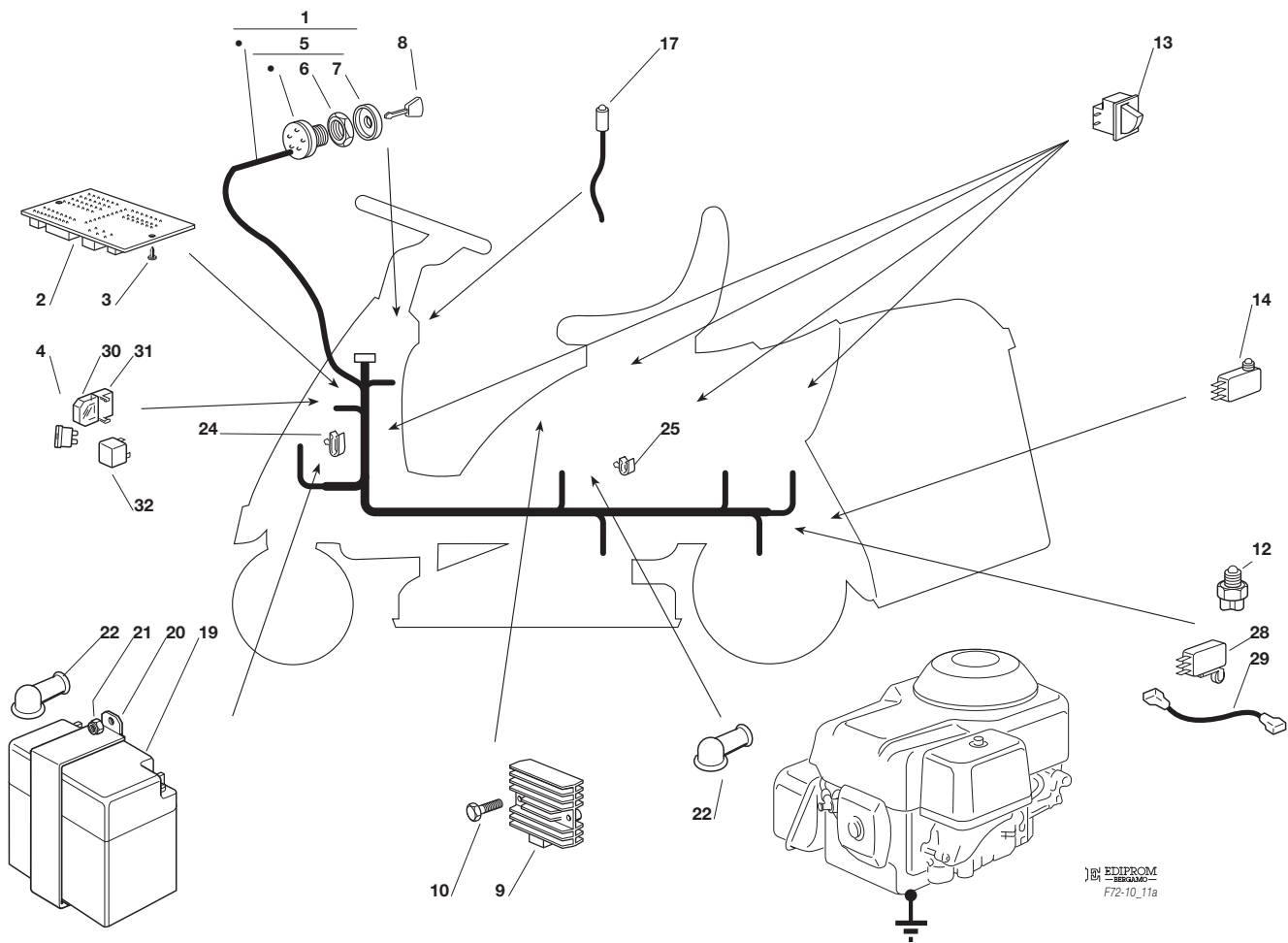


F72**F72 hydro**
PARTI ELETTRICHE
ELECTRICAL PARTS
PARTIES ELECTRIQUES
ELETRISCHE TEILE

2011

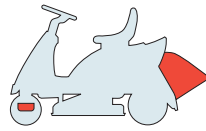
2011a.0

1 / 1


 EDIPROM
 BERGAMO
 F72-10_11a

N.	CODE	Q.TY	DESCRIZIONE	DESCRIPTION	DESCRIPTION	BESCHREIBUNG
1	84040119/0	1	Cablaggio	Cables	Cablages	Kabelsatz
2	25722415/1	1	Scheda Elettronica	Electronic Card	Carte Electronique	Elektronische Karte
3	12727810/0	2	Vite	Screw	Vis	Schraube
4	33340040/0	1	Fusibile 10 A	Fuse 10 A	Fusible 10 A	Sicherung 10 A
4	33340036/0	1	Fusibile 25 A	Fuse 25 A	Fusible 25 A	Sicherung 25 A
5	18450065/1	1	Interruttore Avviamento	Starting Switch	Interrupteur Demarrage	Schalter
6	18400861/0	1	Ghiera	Screwed Ring	Embout	Nutmutter
7	18565351/0	1	Protezione Ghiera	Screwed Ring Protection	Protection Embout	Nutmutter Schutz
8	18210016/1	1	Chiave Avviamento	Starting Key	Clef A Demarrage	Schlüssel Für Start
9	-	1	Relé Avviamento	Starter Relay	Relais D'Allumage	Anlassrelais
10	12728450/0	2	Vite	Screw	Vis	Schraube
12	19410610/0	1	Interrutt. Cambio (Mecc.)	Gearbox Switch (Mech.)	Int. Boîte De Vitesse (Mec.)	Antrieb Schalter (Mech.)
13	119410615/0	4	Micro Interruttore	Microswitch	Microinterrupteur	Mikroschalter
14	19410605/1	1	Micro Sacco Pieno	Full Grasscatc. Micro	Micro Bac Plein	Vollkorb Vorrichtung
17	25065014/1	1	Cavo Led Segnalazione	Cable	Cables	Kabel
19	18120002/1	1	Batteria	Battery	Batterie	Batterie
20	27772099/1	1	Staffa	Clamp	Etrier	Bride
21	12155000/0	1	Dado	Nut	Ecrou	Mutter
22	18564861/1	2	Cappuccio	Protection	Capuchon	Stecker
24	33320506/0	3	Fermacavo	Fairlead	Fixation Cable	Kabelbefestigung
25	33320504/0	1	Fermacavo	Fairlead	Fixation Cable	Kabelbefestigung
28	19410609/0	1	Interrutt. Folle (Hydro)	Microswitch (Hydro)	Microinterrupteur (Hydro)	Mikroschalter (Hydro)
29	25065025/0	1	Cavo Micro Folle (Hydro)	Cable (Hydro)	Cables (Hydro)	Kabel (Hydro)
30	33215000/0	2	Coperchio	Cover	Couvercle	Deckel
31	33500007/0	2	Portafusibile	Fuse Carrier	Tableau De Fusible	Sicherungshalter
32	33567000/0	1	Relé	Relay	Relais	Relais



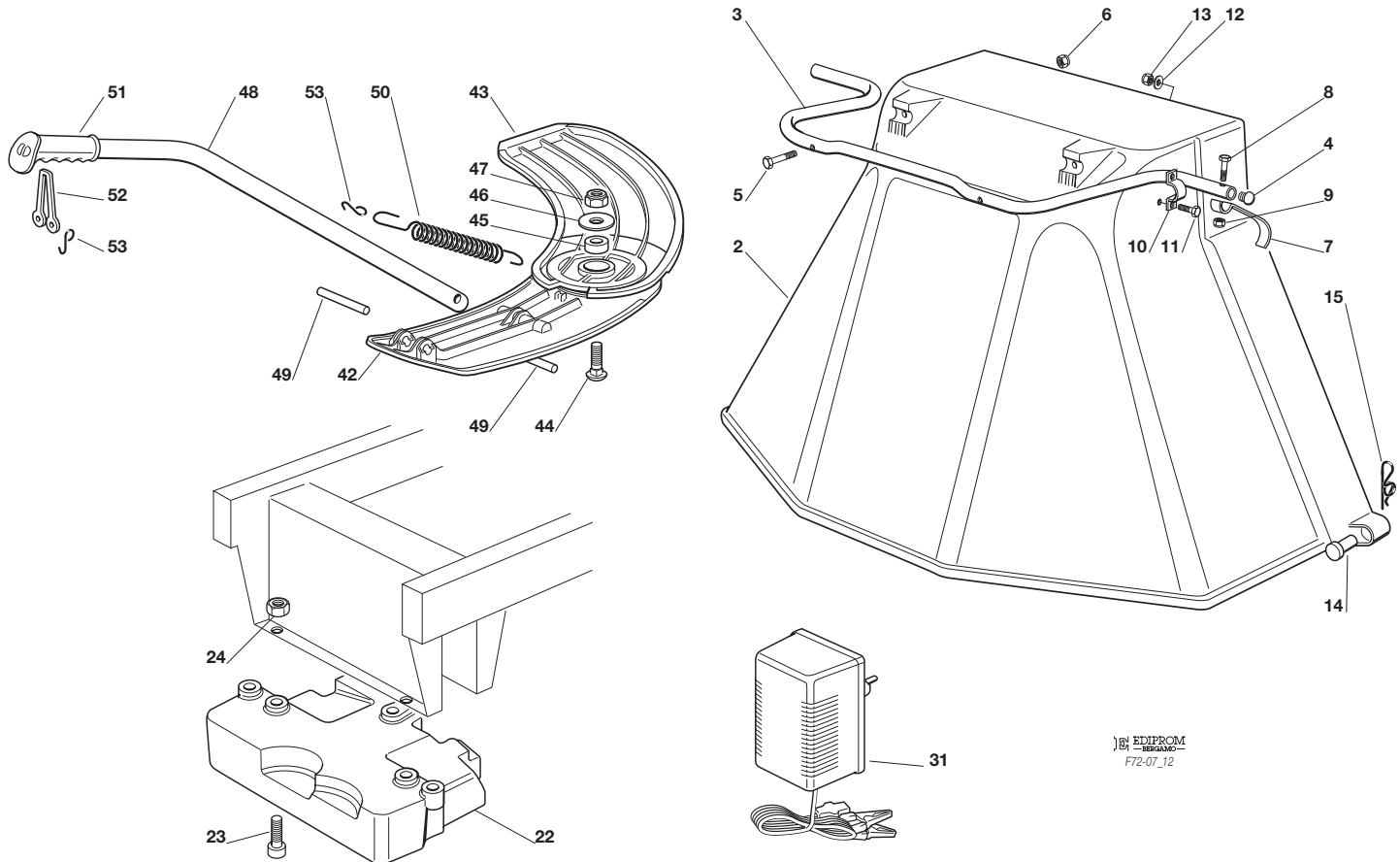
F72**F72 hydro**

ACCESSORI A RICHIESTA
OPTIONALS ON REQUEST
ACCESSOIRES SUR DEMANDE
ZUBEHOERE NACH ANFRAGE

2011

2012.0

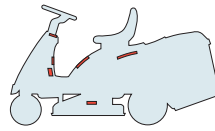
1 / 1



EDIPROM
 F72-07_12

N.	CODE	Q.TY	DESCRIZIONE	DESCRIPTION	DESCRIPTION	BESCHREIBUNG
2	84598062/0	1	Protezione Uscita	Ejection Guard	Protection Sortie	Auswurfschutz
3	27869053/0	1	Tubo Di Aggancio	Support	Soppport	Halter
4	18566113/0	2	Puntale	Cap	Bouchon	Pfropfen
5	12674701/0	2	Vite	Screw	Vis	Schraube
6	12154510/0	2	Dado	Nut	Ecrou	Mutter
7	25547053/0	1	Piastrina	Plate	Plaquette	Plättchen
8	12791500/0	1	Vite	Screw	Vis	Schraube
9	12154510/0	1	Dado	Nut	Ecrou	Mutter
10	25547049/0	2	Piastrina	Plate	Plaquette	Plättchen
11	12788910/0	4	Vite	Screw	Vis	Schraube
12	12523020/0	4	Rosetta	Washer	Rondelle	Scheibe
13	12154320/0	4	Dado	Nut	Ecrou	Mutter
14	25510022/0	2	Perno	Pin	Pivot	Bolzen
15	24487998/0	2	Coppiglia	Cotter Pin	Goupille	Splint
22	25519997/1	1	Peso	Weight	Poids	Gewicht
23	12760520/0	3	Vite	Screw	Vis	Schraube
24	12155000/0	3	Dado	Nut	Ecrou	Mutter
31	182180090/0	1	Carica Batterie	Battery Charger	Chargeur De Batteries	Batterieladegerät
31	182180091/0	1	Carica Batterie (U.K.)	Battery Charger (U.K.)	Chargeur De Batteries (U.K.)	Batterieladegerät (U.K.)
42	27140055/0	1	Deflettore Post.	Deflector, Rear	Deflecteur, Arriere	Abweiser, Hinter
43	27140054/0	1	Deflettore Anter.	Deflector, Front	Deflecteur, Avant	Abweiser, Vorder
44	12818700/0	1	Vite	Screw	Vis	Schraube
45	27047013/0	1	Bussola	Bushing	Douille	Lager
46	22672152/0	1	Rondella	Washer	Rondelle	Scheibe
47	12155000/0	1	Dado	Nut	Ecrou	Mutter
48	27394003/2	1	Manico	Handle	Guidon	Stiel
49	27510116/0	2	Perno	Pin	Pivot	Bolzen
50	25430229/1	1	Molla	Spring	Ressort	Feder
51	25280000/1	1	Impugnatura	Handgrip	Branche	Griff
52	25840011/1	1	Tirante In Gomma	Elastic Tie-Rod	Tirant Elastique	Elastische Zugstäbe
53	25253004/0	3	Gancio	Hook	Crochet	Haken

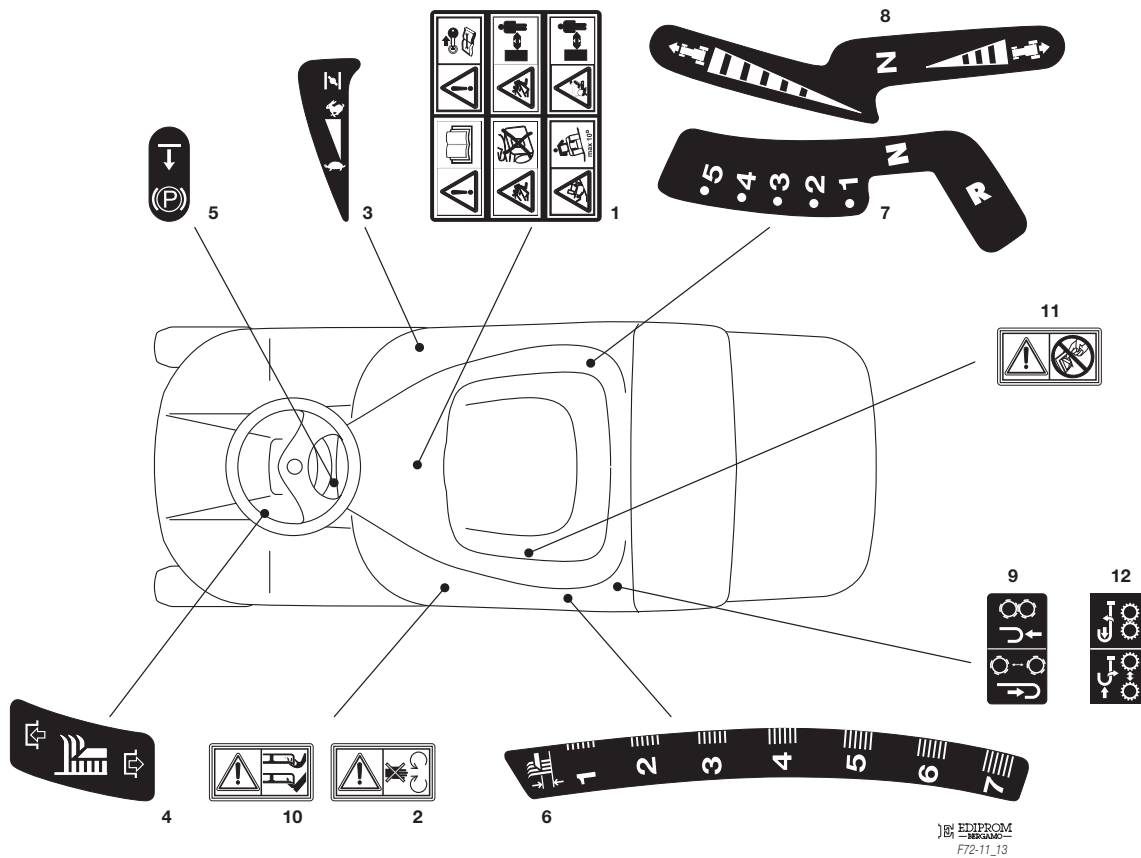


F72**F72 hydro**
ETICHETTE
LABELS
ETIQUETTES
KLEBZETTEL

2011

2013.0

1 / 1


 BY EDIPROM
 F72-11_13

N.	CODE	Q.TY	DESCRIZIONE	DESCRIPTION	DESCRIPTION	BESCHREIBUNG
1	114357428/1	1	Etichetta	Label	Etiquette	Klebzettel
2	114357519/2	1	Etichetta	Label	Etiquette	Klebzettel
3	114357425/1	1	Etichetta	Label	Etiquette	Klebzettel
4	14357431/0	1	Etichetta	Label	Etiquette	Klebzettel
5	114357526/1	1	Etichetta	Label	Etiquette	Klebzettel
6	14357427/0	1	Etichetta	Label	Etiquette	Klebzettel
7	14357426/0	1	Etichetta (Mecc.)	Label (Mech.)	Etiquette (Mec.)	Klebzettel (Mech.)
8	14357702/0	1	Etichetta (Hydro)	Label (Hydro)	Etiquette (Hydro)	Klebzettel (Hydro)
9	14358513/0	1	Etichetta (Hydro)	Label (Hydro)	Etiquette (Hydro)	Klebzettel (Hydro)
10	114356699/1	2	Etichetta	Label	Etiquette	Klebzettel
11	14360118/0	1	Etichetta	Label	Etiquette	Klebzettel
12	114365167/0	1	Etichetta (Hydro)	Label (Hydro)	Etiquette (Hydro)	Klebzettel (Hydro)

