

# Parts Catalogue

for model  
**NJ 92 Hydro**

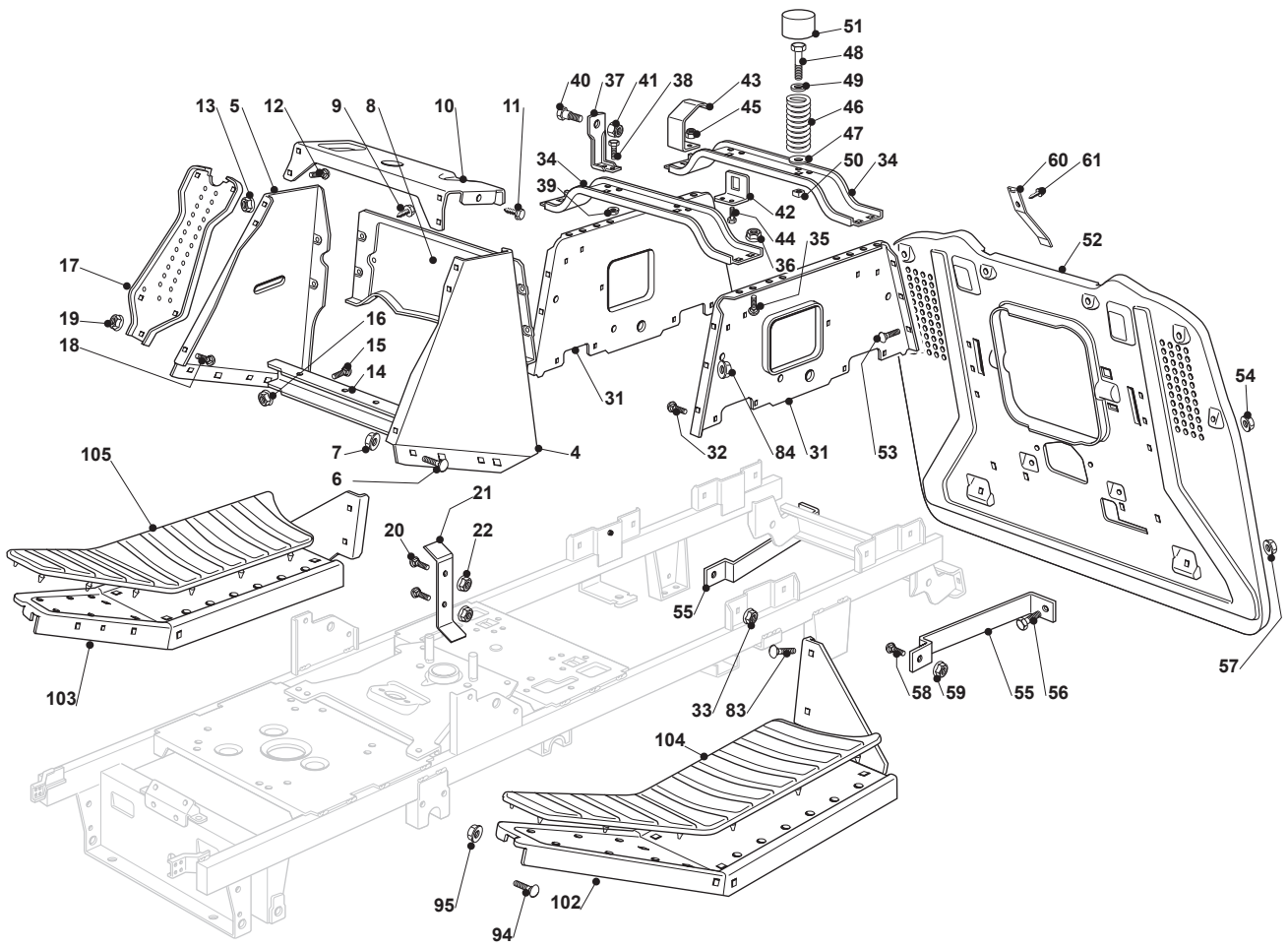
- Use GLOBAL GARDEN PRODUCT Genuine Spare Parts specified in the parts list for repair and/or replacement.
- The contents described in the parts list may change due to improvement.
- The drawings of the spare parts are only indicative and might not represent the part in question exactly.
- The indications "right" - "left" - "front" - "rear" refer to the position of the operator when using the machine.
- When placing orders of parts for repair and/or replacement, make sure that the illustrated parts list is the one applying to the machine's year of manufacture, as shown on the identification plate attached to the machine.

© Copyright 2015 Global Garden Products

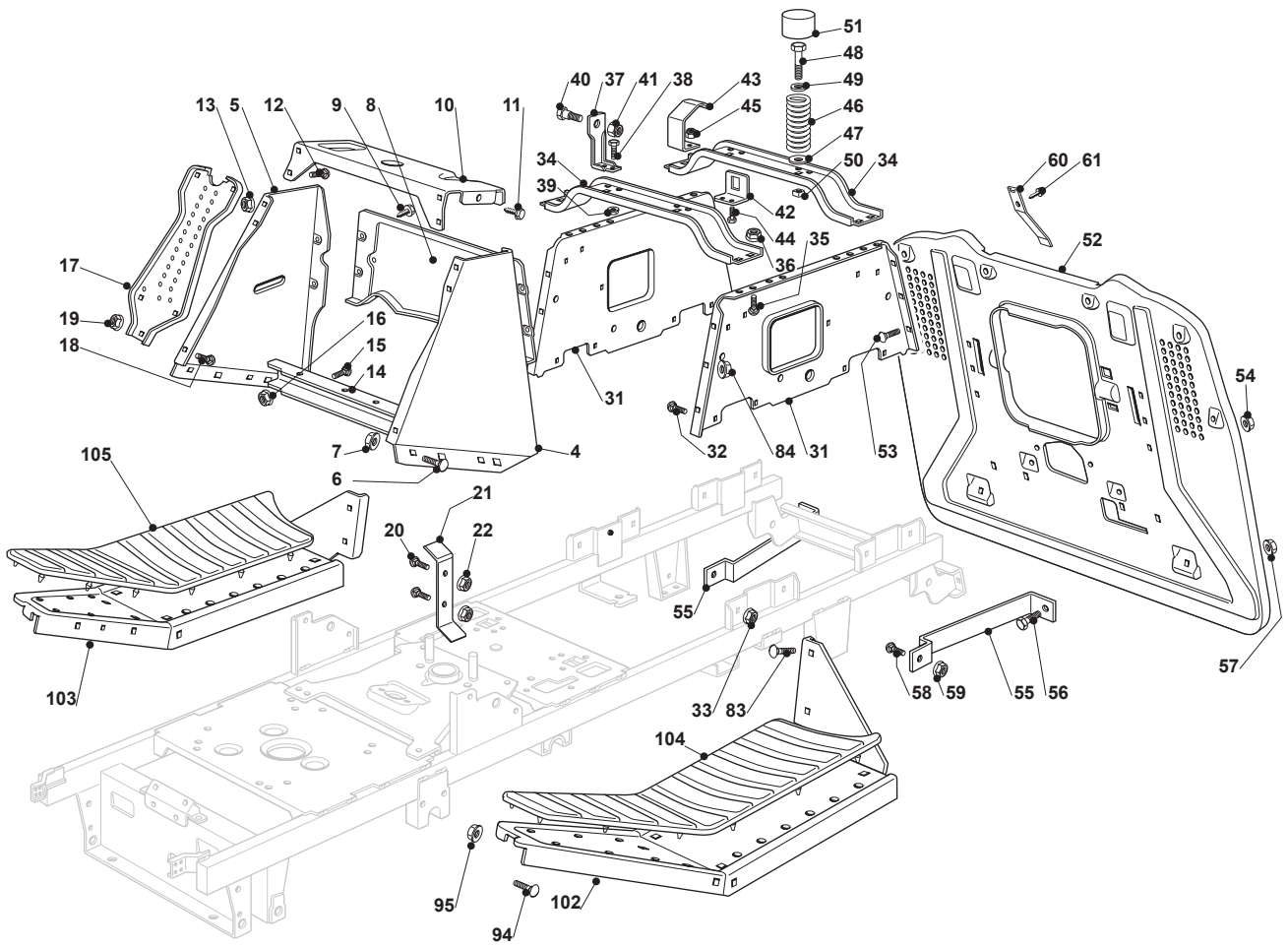
All content is subject to copyright by Global Garden Products and may not be reproduced in whole or in part by any means, electronic or otherwise, without prior written approval.

THIS INFORMATION IS NOT INTENDED FOR SALE OR RESALE, AND THIS NOTICE MUST REMAIN ON ALL COPIES.



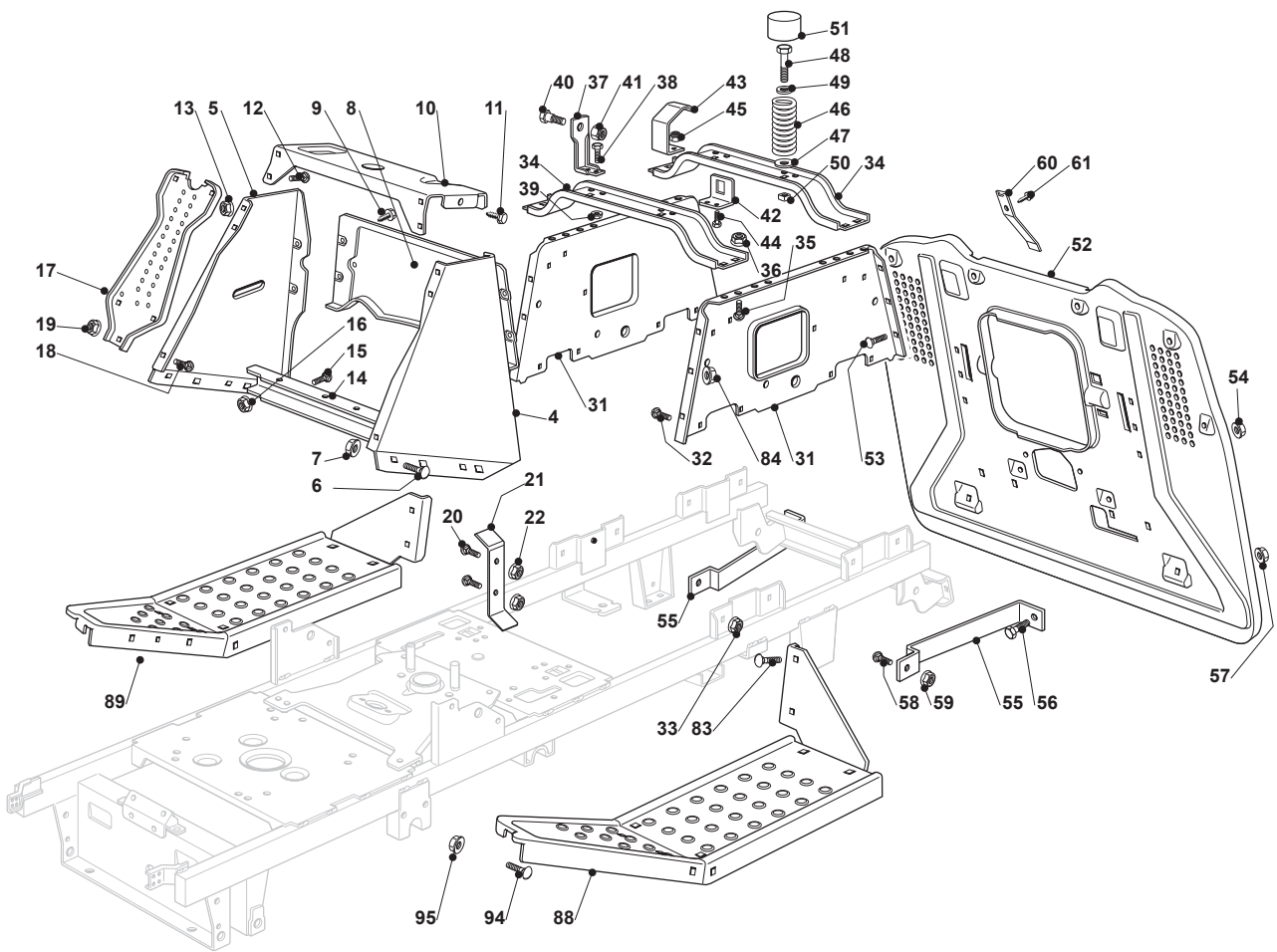


| Fig. | Quantity | Part No     | Description               | Notes |
|------|----------|-------------|---------------------------|-------|
| 4    | 1        | 325785243/1 | Left Dashboard Support    |       |
| 5    | 1        | 325785245/0 | Right Dashboard Support   |       |
| 6    | 4        | 112818690/0 | Screw                     |       |
| 7    | 4        | 112293201/0 | Nut                       |       |
| 8    | 1        | 382785151/2 | Rear Dashboard Support    |       |
| 9    | 4        | 112735110/0 | Screw                     |       |
| 10   | 1        | 325785255/0 | Central Dashboard Support |       |
| 11   | 2        | 112735110/0 | Screw                     |       |
| 12   | 4        | 112815200/0 | Screw                     |       |
| 13   | 4        | 112292102/0 | Nut                       |       |
| 14   | 1        | 325785241/0 | Support                   |       |
| 15   | 2        | 112815200/0 | Screw                     |       |
| 16   | 2        | 112292102/0 | Nut                       |       |
| 17   | 2        | 382785153/1 | Front Dashboard Support   |       |
| 18   | 2        | 112815200/0 | Screw                     |       |
| 19   | 2        | 112292102/0 | Nut                       |       |
| 20   | 2        | 112793102/0 | Screw                     |       |
| 21   | 1        | 325785499/0 | Support                   |       |
| 22   | 2        | 112293201/0 | Nut                       |       |
| 31   | 2        | 325785249/1 | Seat Support              |       |
| 32   | 8        | 112815200/0 | Screw                     |       |
| 33   | 8        | 112292102/0 | Nut                       |       |
| 34   | 2        | 325785257/1 | Seat Support              |       |
| 35   | 8        | 112818690/0 | Screw                     |       |
| 36   | 8        | 112293201/0 | Nut                       |       |
| 37   | 2        | 325755039/0 | Bracket                   |       |
| 38   | 4        | 112792611/0 | Screw                     |       |
| 39   | 4        | 112293201/0 | Nut                       |       |
| 40   | 2        | 122524970/2 | Fulcrum Pin               |       |
| 41   | 3        | 112155010/0 | Nut                       |       |
| 42   | 1        | 325755043/0 | Bracket                   |       |
| 43   | 1        | 325430253/0 | Spring                    |       |
| 44   | 2        | 112789000/0 | Screw                     |       |
| 45   | 2        | 112154330/0 | Nut                       |       |
| 46   | 2        | 125430257/1 | Spring                    |       |
| 47   | 2        | 112523070/0 | Washer                    |       |
| 48   | 2        | 112760515/0 | Screw                     |       |
| 49   | 2        | 122671653/0 | Washer                    |       |
| 50   | 2        | 112360425/0 | Nut                       |       |
| 51   | 2        | 325122000/2 | Spring                    |       |
| 52   | 1        | 382547041/1 | Plate                     |       |
| 53   | 6        | 112792611/0 | Screw                     |       |
| 54   | 6        | 112293201/0 | Nut                       |       |
| 55   | 2        | 325650119/0 | Plate Stiffening          |       |
| 56   | 2        | 112792611/0 | Screw                     |       |
| 57   | 2        | 112293201/0 | Nut                       |       |
| 58   | 2        | 112792611/0 | Screw                     |       |
| 59   | 2        | 112293201/0 | Nut                       |       |
| 60   | 1        | 125430276/0 | Spring                    |       |
| 61   | 1        | 112735110/0 | Screw                     |       |
| 83   | 4        | 112792611/0 | Screw                     |       |

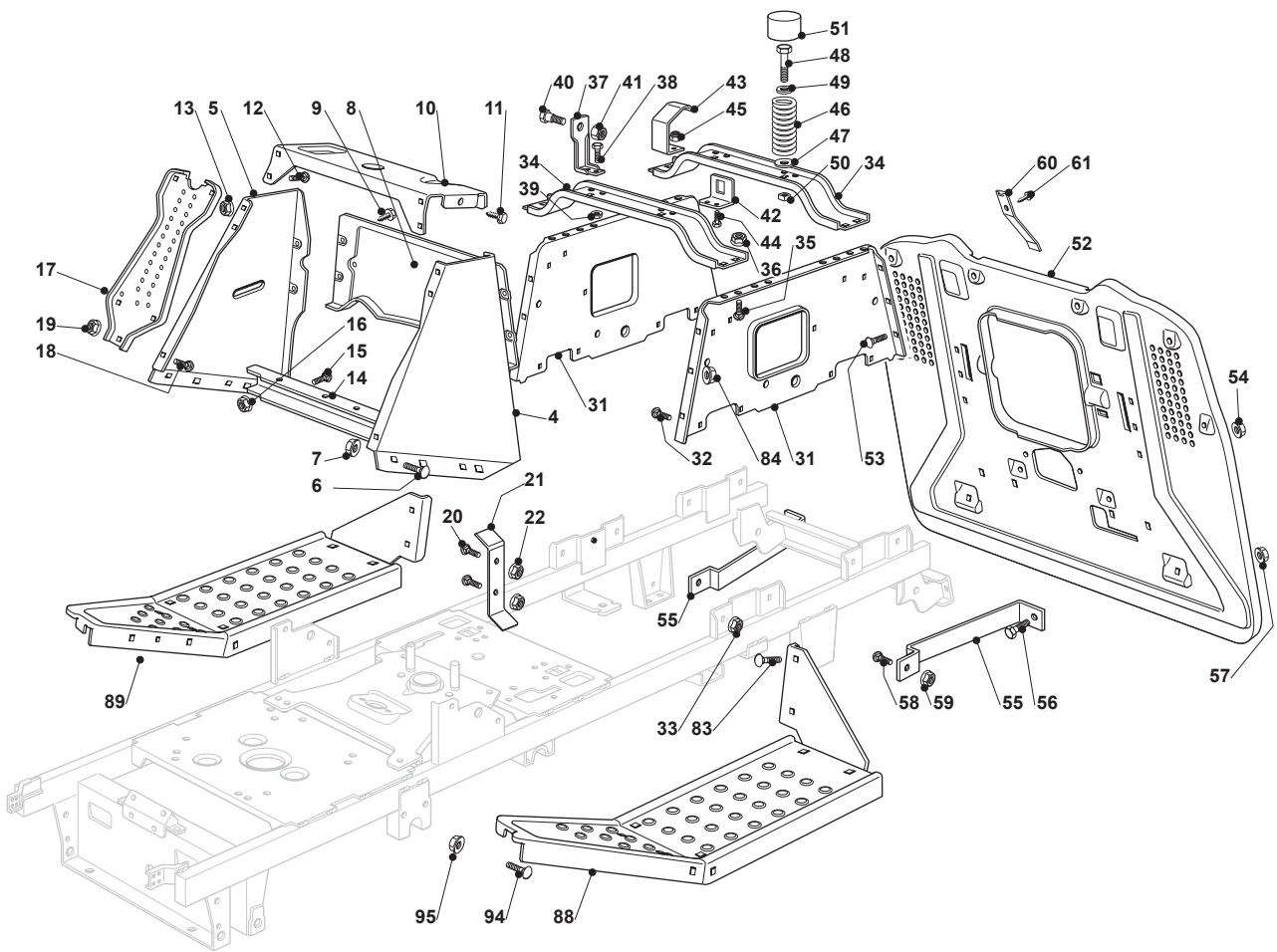




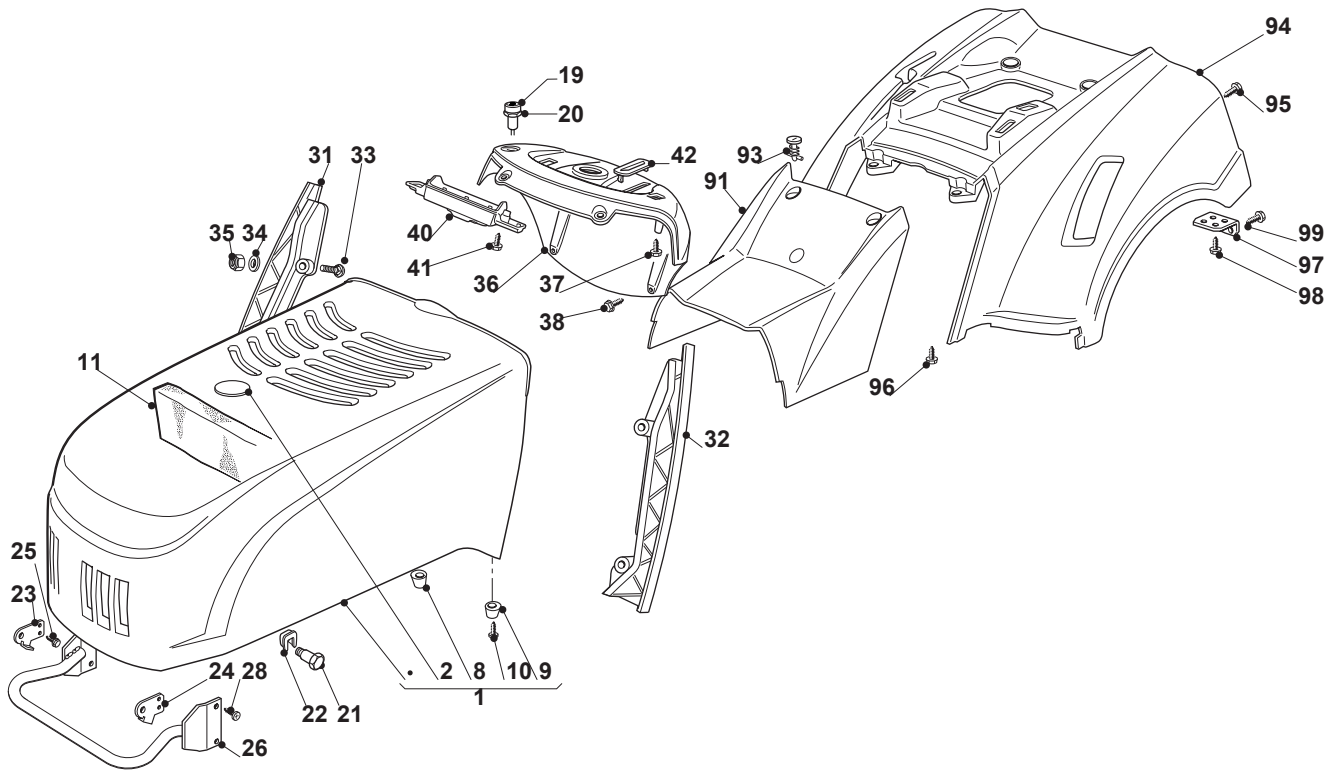
| Fig. | Quantity | Part No     | Description             | Notes |
|------|----------|-------------|-------------------------|-------|
| 84   | 4        | 112293201/0 | Nut                     |       |
| 94   | 4        | 112815200/0 | Screw                   |       |
| 95   | 4        | 112292102/0 | Nut                     |       |
| 102  | 1        | 382510083/0 | Left Footboard Support  |       |
| 103  | 1        | 382510081/0 | Right Footboard Support |       |
| 104  | 1        | 325110327/0 | Left Footboard Cover    |       |
| 105  | 1        | 325110326/0 | Right Footboard Cover   |       |



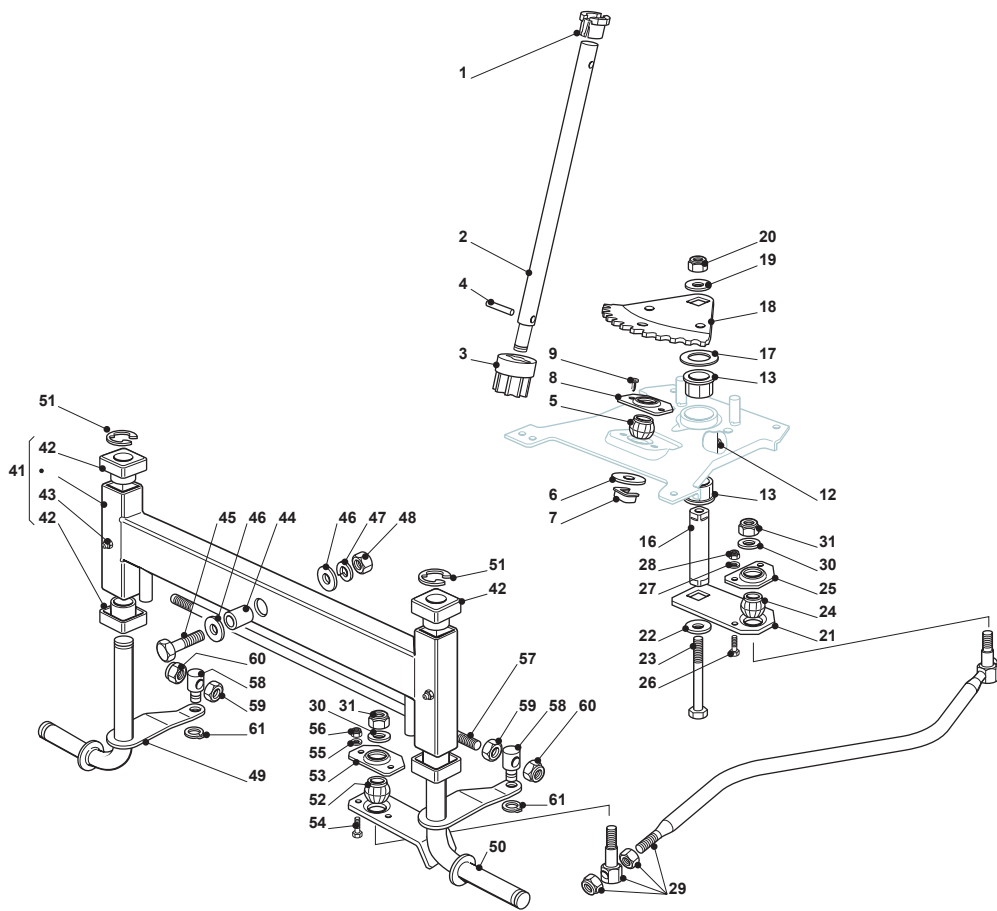
| Fig. | Quantity | Part No     | Description               | Notes |
|------|----------|-------------|---------------------------|-------|
| 4    | 1        | 325785243/1 | Left Dashboard Support    |       |
| 5    | 1        | 325785245/0 | Right Dashboard Support   |       |
| 6    | 4        | 112818690/0 | Screw                     |       |
| 7    | 4        | 112293201/0 | Nut                       |       |
| 8    | 1        | 382785151/2 | Rear Dashboard Support    |       |
| 9    | 4        | 112735110/0 | Screw                     |       |
| 10   | 1        | 325785255/0 | Central Dashboard Support |       |
| 11   | 2        | 112735110/0 | Screw                     |       |
| 12   | 4        | 112815200/0 | Screw                     |       |
| 13   | 4        | 112292102/0 | Nut                       |       |
| 14   | 1        | 325785241/0 | Support                   |       |
| 15   | 2        | 112815200/0 | Screw                     |       |
| 16   | 2        | 112292102/0 | Nut                       |       |
| 17   | 2        | 382785153/1 | Front Dashboard Support   |       |
| 18   | 2        | 112815200/0 | Screw                     |       |
| 19   | 2        | 112292102/0 | Nut                       |       |
| 20   | 2        | 112793102/0 | Screw                     |       |
| 21   | 1        | 325785499/0 | Support                   |       |
| 22   | 2        | 112293201/0 | Nut                       |       |
| 31   | 2        | 325785249/1 | Seat Support              |       |
| 32   | 8        | 112815200/0 | Screw                     |       |
| 33   | 8        | 112292102/0 | Nut                       |       |
| 34   | 2        | 325785257/1 | Seat Support              |       |
| 35   | 8        | 112818690/0 | Screw                     |       |
| 36   | 8        | 112293201/0 | Nut                       |       |
| 37   | 2        | 325755039/0 | Bracket                   |       |
| 38   | 4        | 112792611/0 | Screw                     |       |
| 39   | 4        | 112293201/0 | Nut                       |       |
| 40   | 2        | 122524970/2 | Fulcrum Pin               |       |
| 41   | 2        | 112155010/0 | Nut                       |       |
| 42   | 1        | 325755043/0 | Bracket                   |       |
| 43   | 1        | 325430253/0 | Spring                    |       |
| 44   | 2        | 112789000/0 | Screw                     |       |
| 45   | 2        | 112154330/0 | Nut                       |       |
| 46   | 2        | 125430257/1 | Spring                    |       |
| 47   | 2        | 112523070/0 | Washer                    |       |
| 48   | 2        | 112760515/0 | Screw                     |       |
| 49   | 2        | 122671653/0 | Washer                    |       |
| 50   | 2        | 112360425/0 | Nut                       |       |
| 51   | 2        | 325122000/2 | Spring                    |       |
| 52   | 1        | 382547041/1 | Plate                     |       |
| 53   | 6        | 112792611/0 | Screw                     |       |
| 54   | 6        | 112293201/0 | Nut                       |       |
| 55   | 2        | 325650119/0 | Plate Stiffening          |       |
| 56   | 2        | 112792611/0 | Screw                     |       |
| 57   | 2        | 112293201/0 | Nut                       |       |
| 58   | 2        | 112792611/0 | Screw                     |       |
| 59   | 2        | 112293201/0 | Nut                       |       |
| 60   | 1        | 125430276/0 | Spring                    |       |
| 61   | 1        | 112735110/0 | Screw                     |       |
| 83   | 4        | 112792611/0 | Screw                     |       |



| Fig. | Quantity | Part No     | Description             | Notes |
|------|----------|-------------|-------------------------|-------|
| 84   | 4        | 112293201/0 | Nut                     |       |
| 88   | 1        | 382510079/0 | Left Footboard Support  |       |
| 89   | 1        | 382510077/0 | Right Footboard Support |       |
| 94   | 4        | 112815200/0 | Screw                   |       |
| 95   | 4        | 112292102/0 | Nut                     |       |

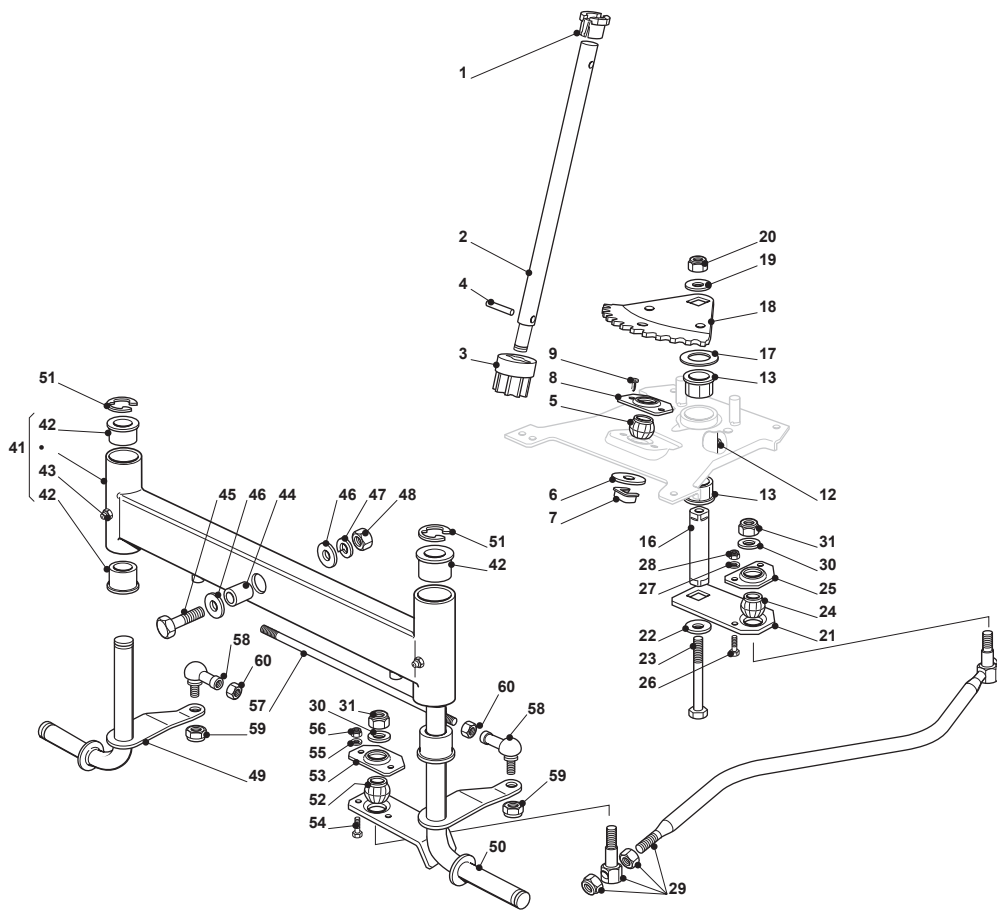


| Fig. | Quantity | Part No     | Description                    | Notes  |
|------|----------|-------------|--------------------------------|--------|
| 1    | 1        | 382076902/1 | Engine Hood Red                | Red    |
| 1    | 1        | 382076935/0 | Engine Hood Yellow             | Yellow |
| 2    | 1        | 125547105/0 | Yellow Injection Plate         | Yellow |
| 2    | 1        | 325547025/1 | Injection Plaque 300941Ggp Tcp | Red    |
| 8    | 1        | 125580012/0 | Right Pin                      |        |
| 9    | 1        | 125580013/0 | Left Pin                       |        |
| 10   | 2        | 112727356/0 | Screw                          |        |
| 11   | 1        | 125730005/1 | Intake Separator               |        |
| 19   | 1        | 325605003/0 | Button                         |        |
| 20   | 1        | 325256250/0 | Screw Ring                     |        |
| 21   | 2        | 125510045/0 | Stud                           |        |
| 22   | 2        | 112436050/0 | Plate                          |        |
| 23   | 1        | 325547089/1 | Right Plate                    |        |
| 24   | 1        | 325547091/1 | Left Plate                     |        |
| 25   | 4        | 112731580/0 | Screw                          |        |
| 26   | 1        | 382869031/0 | Muffler Protection             |        |
| 28   | 4        | 112734995/0 | Screw                          |        |
| 31   | 1        | 325599010/0 | Dashboard, Right Profile       |        |
| 32   | 1        | 325599011/0 | Left Dashboard Support         |        |
| 33   | 4        | 112815221/0 | Screw                          |        |
| 34   | 4        | 112521330/0 | Washer                         |        |
| 35   | 4        | 112154510/0 | Nut                            |        |
| 36   | 1        | 325120247/0 | Dashboard                      |        |
| 37   | 2        | 112728440/0 | Screw                          |        |
| 38   | 2        | 112735402/0 | Screw                          |        |
| 40   | 1        | 325600074/0 | Card Protection                |        |
| 41   | 2        | 112735402/0 | Screw                          |        |
| 42   | 1        | 325547181/0 | Plate                          |        |
| 91   | 1        | 325110363/0 | Cover, Red                     |        |
| 93   | 2        | 125580020/2 | Stake                          |        |
| 94   | 1        | 325110322/0 | Red Wheels Cover               | Red    |
| 94   | 1        | 325110323/0 | Yellow Wheels Cover            | Yellow |
| 95   | 4        | 112735402/0 | Screw                          |        |
| 96   | 2        | 112735402/0 | Screw                          |        |
| 97   | 2        | 325755041/0 | Bracket                        |        |
| 98   | 4        | 112728686/0 | Screw                          |        |
| 99   | 2        | 112735110/0 | Screw                          |        |

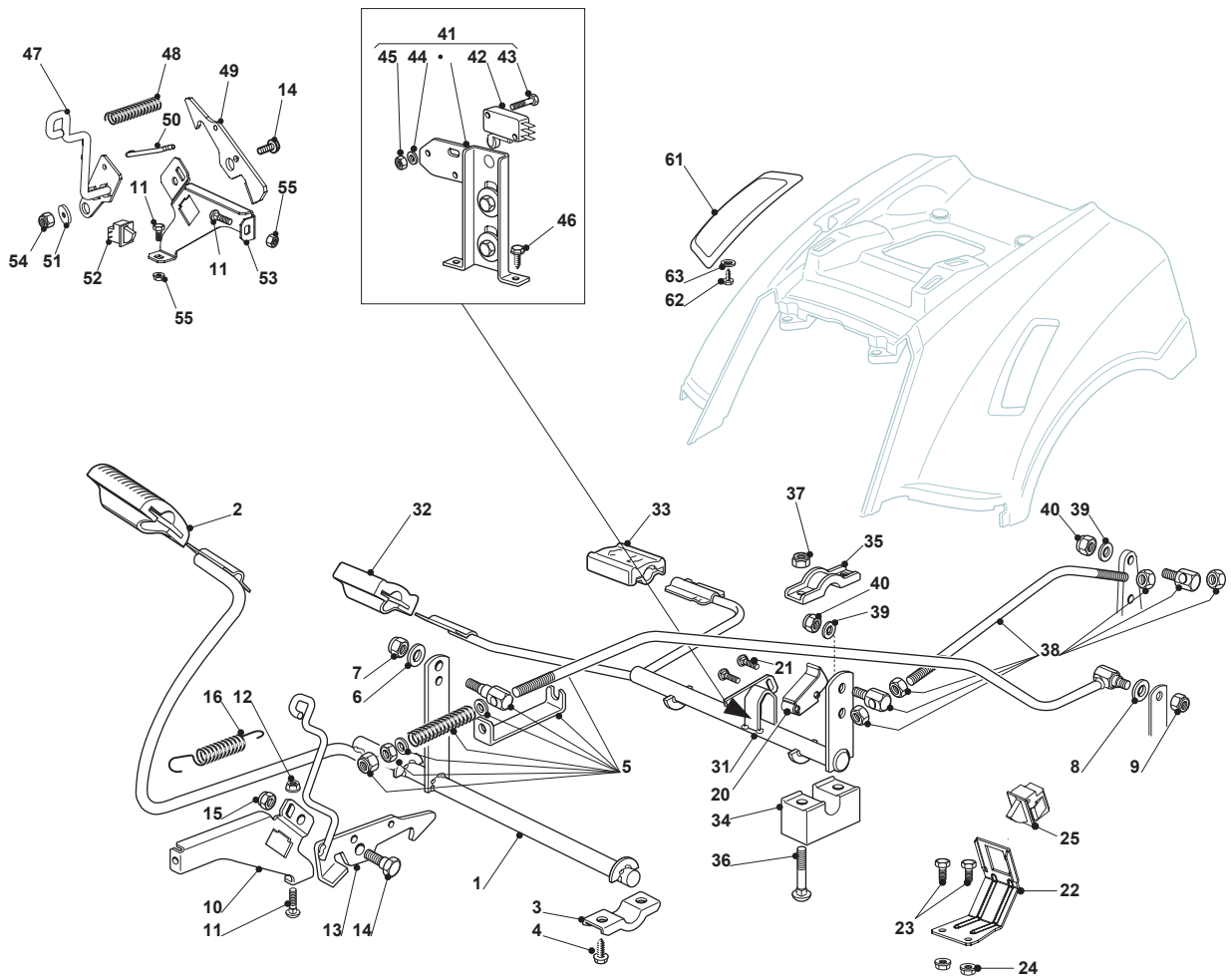




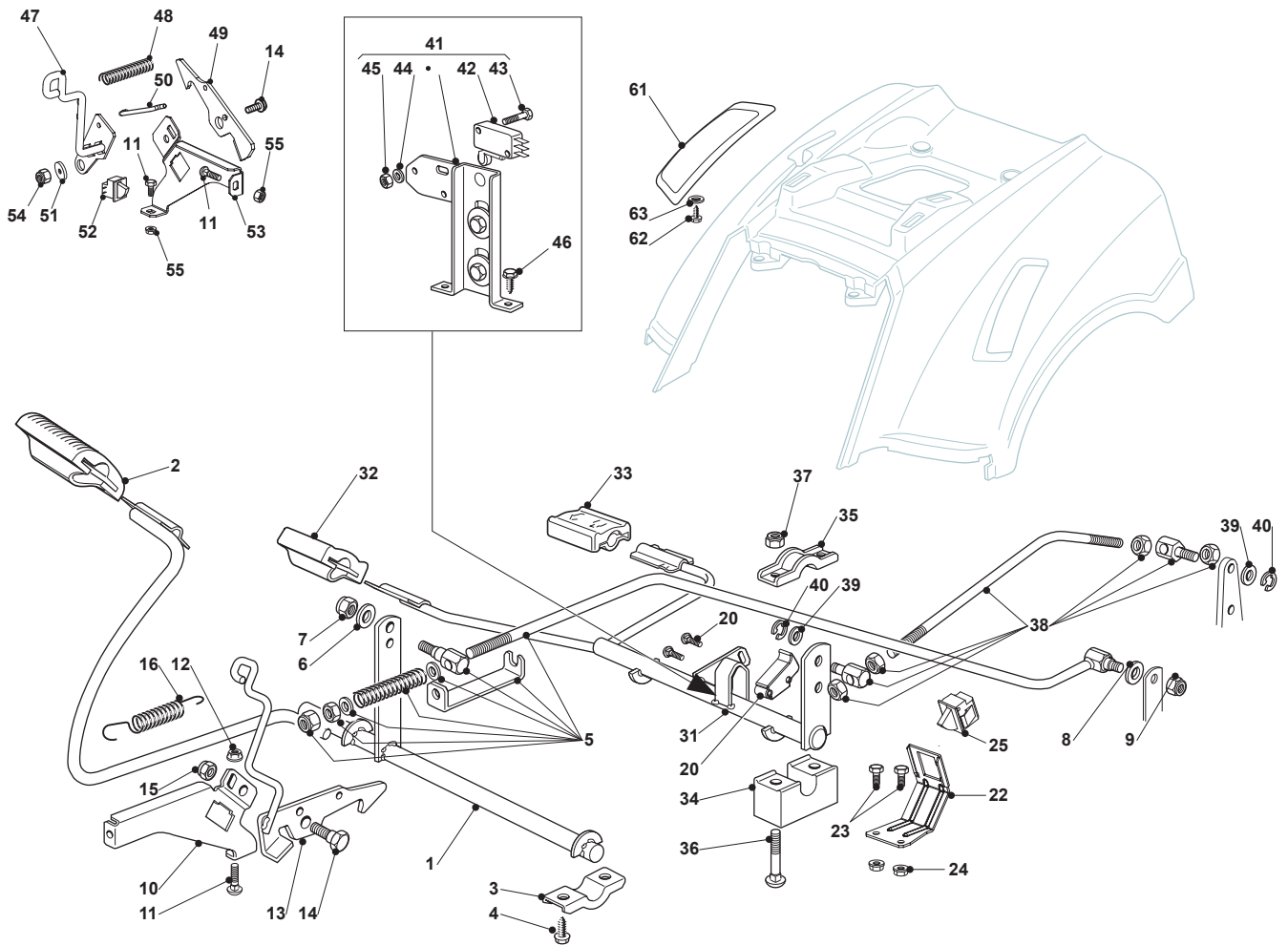
| Fig. | Quantity | Part No     | Description                        | Notes |
|------|----------|-------------|------------------------------------|-------|
| 1    | 1        | 325038004/0 | Bushing                            |       |
| 2    | 1        | 125520006/1 | Steering Column                    |       |
| 3    | 1        | 127570050/0 | Pinion                             |       |
| 4    | 1        | 112622650/0 | Dowel pin                          |       |
| 5    | 1        | 325743000/0 | Joint                              |       |
| 6    | 1        | 112521370/0 | Washer                             |       |
| 7    | 1        | 112436030/0 | Plate                              |       |
| 8    | 1        | 325785213/1 | Support                            |       |
| 9    | 2        | 112729601/1 | Screw                              |       |
| 12   | 1        | 112379511/0 | Grease Dispenser                   |       |
| 13   | 2        | 325040624/0 | Bushing                            |       |
| 16   | 1        | 125510092/0 | Pin                                |       |
| 17   | 1        | 125670019/0 | Washer                             |       |
| 18   | 1        | 325735513/0 | Steering Sector                    |       |
| 19   | 1        | 112523080/0 | Washer                             |       |
| 20   | 1        | 112155020/0 | Nut                                |       |
| 21   | 1        | 325318205/0 | Lever                              |       |
| 22   | 1        | 112523080/0 | Washer                             |       |
| 23   | 1        | 112794985/0 | Screw                              |       |
| 24   | 1        | 325743000/0 | Joint                              |       |
| 25   | 1        | 325785213/1 | Support                            |       |
| 26   | 2        | 112791213/1 | Screw                              |       |
| 27   | 2        | 112521330/0 | Washer                             |       |
| 28   | 2        | 112154510/0 | Nut                                |       |
| 29   | 1        | 382000538/1 | Steering Rod                       |       |
| 30   | 2        | 112523070/0 | Washer                             |       |
| 31   | 2        | 112155010/0 | Nut                                |       |
| 41   | 1        | 382034021/1 | Equalizer With Bush And Lubricator |       |
| 42   | 4        | 325040622/0 | Bushing                            |       |
| 43   | 2        | 112379511/0 | Grease Dispenser                   |       |
| 44   | 1        | 125160016/0 | Spacer                             |       |
| 45   | 1        | 112692695/0 | Screw                              |       |
| 46   | 2        | 112523100/0 | Washer                             |       |
| 47   | 1        | 112587100/0 | Grower                             |       |
| 48   | 1        | 112295300/0 | Nut                                |       |
| 49   | 1        | 382230363/0 | Right Stub Axle                    |       |
| 50   | 1        | 382230365/0 | Left Stub Axle                     |       |
| 51   | 2        | 112001000/0 | Benzing Ring                       |       |
| 52   | 1        | 325743000/0 | Joint                              |       |
| 53   | 1        | 325785213/1 | Support                            |       |
| 54   | 2        | 112791213/1 | Screw                              |       |
| 55   | 2        | 112521330/0 | Washer                             |       |
| 56   | 2        | 112154510/0 | Nut                                |       |
| 57   | 1        | 125840022/0 | Tie Rod                            |       |
| 58   | 2        | 125510096/0 | Pin                                |       |
| 59   | 2        | 112295200/0 | Nut                                |       |
| 60   | 2        | 112156602/0 | Nut                                |       |
| 61   | 2        | 112000956/0 | Benzing Ring                       |       |



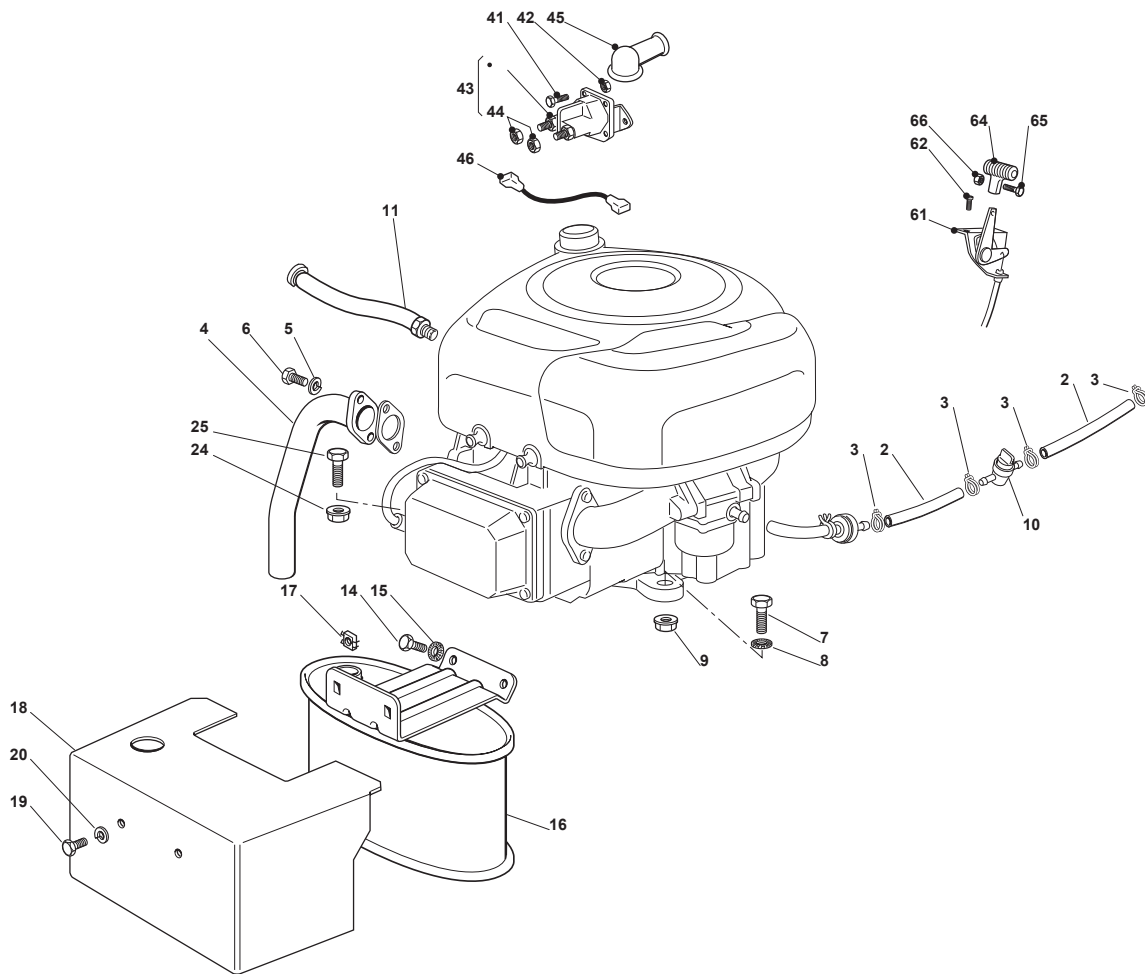
| Fig. | Quantity | Part No     | Description                        | Notes |
|------|----------|-------------|------------------------------------|-------|
| 1    | 1        | 325038004/0 | Bushing                            |       |
| 2    | 1        | 125520006/1 | Steering Column                    |       |
| 3    | 1        | 127570050/0 | Pinion                             |       |
| 4    | 1        | 112622650/0 | Dowel pin                          |       |
| 5    | 1        | 325743000/0 | Joint                              |       |
| 6    | 1        | 112521370/0 | Washer                             |       |
| 7    | 1        | 112436030/0 | Plate                              |       |
| 8    | 1        | 325785213/1 | Support                            |       |
| 9    | 2        | 112729601/1 | Screw                              |       |
| 12   | 1        | 112379511/0 | Grease Dispenser                   |       |
| 13   | 2        | 325040624/0 | Bushing                            |       |
| 16   | 1        | 125510092/0 | Pin                                |       |
| 17   | 1        | 125670019/0 | Washer                             |       |
| 18   | 1        | 325735513/0 | Steering Sector                    |       |
| 19   | 1        | 112523080/0 | Washer                             |       |
| 20   | 1        | 112155020/0 | Nut                                |       |
| 21   | 1        | 325318205/0 | Lever                              |       |
| 22   | 1        | 112523080/0 | Washer                             |       |
| 23   | 1        | 112794985/0 | Screw                              |       |
| 24   | 1        | 325743000/0 | Joint                              |       |
| 25   | 1        | 325785213/1 | Support                            |       |
| 26   | 2        | 112791213/1 | Screw                              |       |
| 27   | 2        | 112521330/0 | Washer                             |       |
| 28   | 2        | 112154510/0 | Nut                                |       |
| 29   | 1        | 382000539/1 | Steering Rod                       |       |
| 30   | 2        | 112523070/0 | Washer                             |       |
| 31   | 2        | 112155010/0 | Nut                                |       |
| 41   | 1        | 382034024/1 | Equalizer With Bush And Lubricator |       |
| 42   | 4        | 125034002/1 | Bushing                            |       |
| 43   | 2        | 112379511/0 | Grease Dispenser                   |       |
| 44   | 1        | 125160016/0 | Spacer                             |       |
| 45   | 1        | 112692695/0 | Screw                              |       |
| 46   | 2        | 112523100/0 | Washer                             |       |
| 47   | 1        | 112587100/0 | Grower                             |       |
| 48   | 1        | 112295300/0 | Nut                                |       |
| 49   | 1        | 382230363/0 | Right Stub Axle                    |       |
| 50   | 1        | 382230365/0 | Left Stub Axle                     |       |
| 51   | 2        | 112001000/0 | Benzing Ring                       |       |
| 52   | 1        | 325743000/0 | Joint                              |       |
| 53   | 1        | 325785213/1 | Support                            |       |
| 54   | 2        | 112791213/1 | Screw                              |       |
| 55   | 2        | 112521330/0 | Washer                             |       |
| 56   | 2        | 112154510/0 | Nut                                |       |
| 57   | 1        | 125840023/0 | Tie Rod                            |       |
| 58   | 2        | 122746609/0 | Joint                              |       |
| 59   | 2        | 112156602/0 | Nut                                |       |
| 60   | 2        | 112295201/0 | Nut                                |       |



| Fig. | Quantity | Part No     | Description       | Notes |
|------|----------|-------------|-------------------|-------|
| 1    | 1        | 382500029/1 | Pedal             |       |
| 2    | 1        | 325110416/0 | Clamp Cover       |       |
| 3    | 2        | 327546015/2 | Plate             |       |
| 4    | 4        | 112729601/1 | Screw             |       |
| 5    | 1        | 382000542/1 | Rod               |       |
| 6    | 1        | 112521350/0 | Washer            |       |
| 7    | 1        | 112155000/0 | Nut               |       |
| 8    | 1        | 112521350/0 | Washer            |       |
| 9    | 1        | 112155000/0 | Nut               |       |
| 10   | 1        | 325785261/0 | Support           |       |
| 11   | 2        | 112815200/0 | Screw             |       |
| 12   | 2        | 112292102/0 | Nut               |       |
| 13   | 1        | 382318289/0 | Brake Lever   Rod |       |
| 14   | 1        | 122524970/3 | Pin               |       |
| 15   | 1        | 112155000/0 | Nut               |       |
| 16   | 1        | 125430213/0 | Spring            |       |
| 20   | 1        | 325060034/1 | Cam               |       |
| 21   | 2        | 112735404/0 | Screw             |       |
| 22   | 1        | 325547375/0 | Plate             |       |
| 23   | 2        | 112793102/0 | Screw             |       |
| 24   | 2        | 112293201/0 | Nut               |       |
| 25   | 1        | 119410614/0 | Microswitch       |       |
| 31   | 1        | 382000605/0 | Gear Control Axle |       |
| 32   | 1        | 325110417/0 | Clamp Cover Front |       |
| 33   | 1        | 325110418/0 | Clamp Cover Rear  |       |
| 34   | 2        | 325785185/0 | Support           |       |
| 35   | 2        | 327546015/2 | Plate             |       |
| 36   | 4        | 112815245/0 | Screw             |       |
| 37   | 4        | 112154510/0 | Nut               |       |
| 38   | 1        | 382000543/0 | Rod               |       |
| 39   | 2        | 112523040/0 | Washer            |       |
| 40   | 2        | 112154510/0 | Nut               |       |
| 41   | 1        | 382394853/0 | Switch Ass.Y      |       |
| 42   | 1        | 119410609/0 | Microswitch       |       |
| 43   | 2        | 112735602/0 | Screw             |       |
| 44   | 2        | 112581100/0 | Grower            |       |
| 45   | 2        | 112290791/0 | Nut               |       |
| 46   | 2        | 112735110/0 | Screw             |       |
| 47   | 1        | 382318289/0 | Brake Lever   Rod |       |
| 48   | 1        | 125430213/0 | Spring            |       |
| 49   | 1        | 325253007/1 | Brake Hook        |       |
| 50   | 1        | 125033119/0 | Rod               |       |
| 51   | 1        | 122041980/0 | Bushing           |       |
| 52   | 1        | 119410613/0 | Microswitch       |       |
| 53   | 1        | 325785261/0 | Support           |       |
| 54   | 1        | 112155010/0 | Nut               |       |
| 55   | 4        | 112292102/0 | Nut               |       |
| 61   | 1        | 325207171/0 | Cover (Hydro)     |       |
| 62   | 2        | 112735402/0 | Screw             |       |
| 63   | 4        | 112523050/0 | Washer            |       |

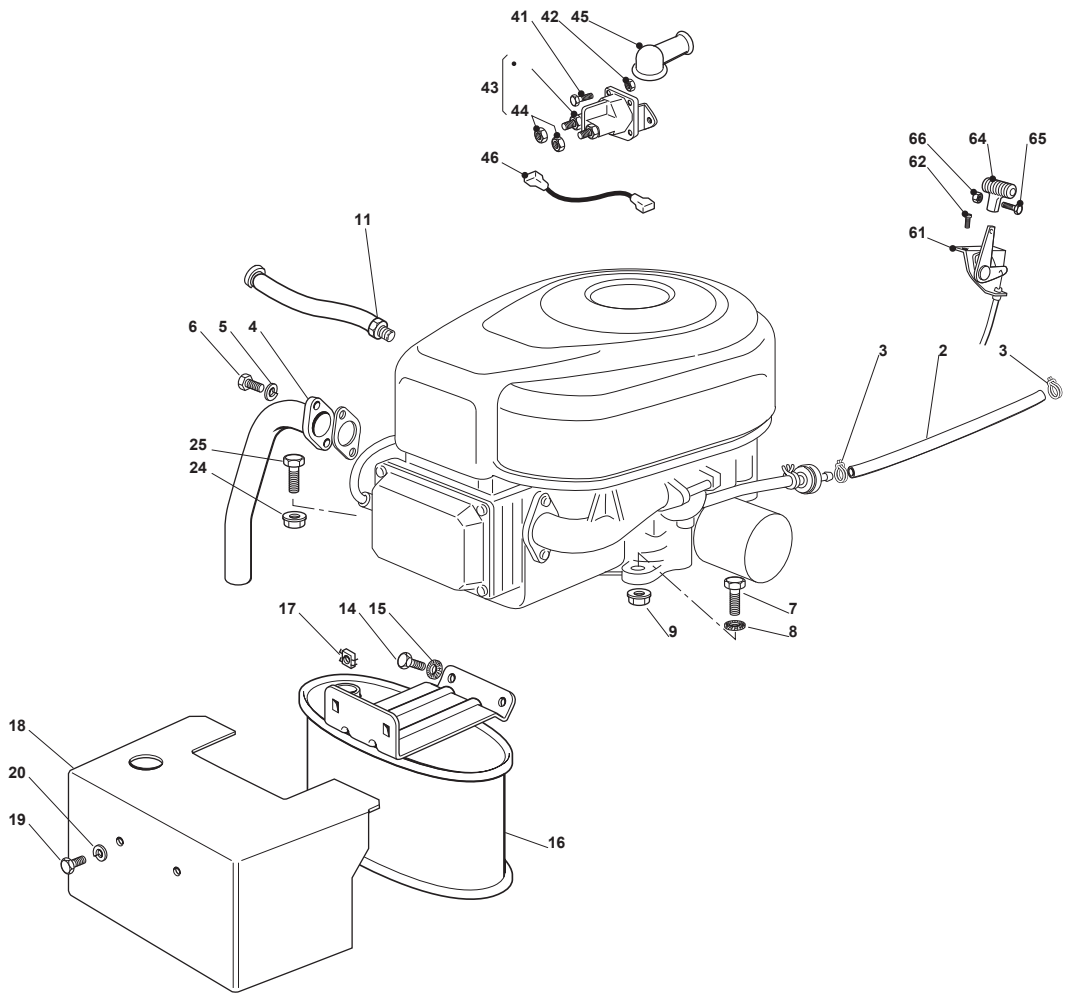


| Fig. | Quantity | Part No     | Description       | Notes |
|------|----------|-------------|-------------------|-------|
| 13   | 1        | 382318289/0 | Brake Lever I Rod |       |
| 1    | 1        | 382500029/1 | Pedal             |       |
| 2    | 1        | 325110416/0 | Clamp Cover       |       |
| 3    | 2        | 327546015/2 | Plate             |       |
| 4    | 4        | 112729601/1 | Screw             |       |
| 5    | 1        | 382000627/0 | Rod (Hydro-Gear)  |       |
| 6    | 1        | 112521350/0 | Washer            |       |
| 7    | 1        | 112155000/0 | Nut               |       |
| 8    | 1        | 112521350/0 | Washer            |       |
| 9    | 1        | 112155000/0 | Nut               |       |
| 10   | 1        | 325785261/0 | Support           |       |
| 11   | 2        | 112815200/0 | Screw             |       |
| 12   | 2        | 112292102/0 | Nut               |       |
| 14   | 1        | 122524970/3 | Pin               |       |
| 15   | 1        | 112155000/0 | Nut               |       |
| 16   | 1        | 125430213/0 | Spring            |       |
| 20   | 1        | 325060034/1 | Cam               |       |
| 21   | 2        | 112735404/0 | Screw             |       |
| 22   | 1        | 325547375/0 | Plate             |       |
| 23   | 2        | 112793102/0 | Screw             |       |
| 24   | 2        | 112293201/0 | Nut               |       |
| 25   | 1        | 119410614/0 | Microswitch       |       |
| 31   | 1        | 382000605/1 | Drive Pedal       |       |
| 32   | 1        | 325110417/0 | Clamp Cover Front |       |
| 33   | 1        | 325110418/0 | Clamp Cover Rear  |       |
| 34   | 2        | 325785185/0 | Support           |       |
| 35   | 2        | 327546015/2 | Plate             |       |
| 36   | 4        | 112815245/0 | Screw             |       |
| 37   | 4        | 112154510/0 | Nut               |       |
| 38   | 1        | 382000578/0 | Rod               |       |
| 39   | 2        | 112523040/0 | Washer            |       |
| 40   | 2        | 112000940/0 | Benzing Ring      |       |
| 41   | 1        | 382394853/0 | Switch Ass.Y      |       |
| 42   | 1        | 119410609/0 | Microswitch       |       |
| 43   | 2        | 112735602/0 | Screw             |       |
| 44   | 2        | 112581100/0 | Grower            |       |
| 45   | 2        | 112290791/0 | Nut               |       |
| 46   | 2        | 112735110/0 | Screw             |       |
| 47   | 1        | 382318289/0 | Brake Lever I Rod |       |
| 48   | 1        | 125430213/0 | Spring            |       |
| 49   | 1        | 325253007/1 | Brake Hook        |       |
| 50   | 1        | 125033119/0 | Rod               |       |
| 51   | 1        | 122041980/0 | Bushing           |       |
| 52   | 1        | 119410613/0 | Microswitch       |       |
| 53   | 1        | 325785261/0 | Support           |       |
| 54   | 1        | 112155010/0 | Nut               |       |
| 55   | 4        | 112292102/0 | Nut               |       |
| 61   | 1        | 325207171/0 | Cover (Hydro)     |       |
| 62   | 2        | 112735402/0 | Screw             |       |
| 63   | 4        | 112523050/0 | Washer            |       |

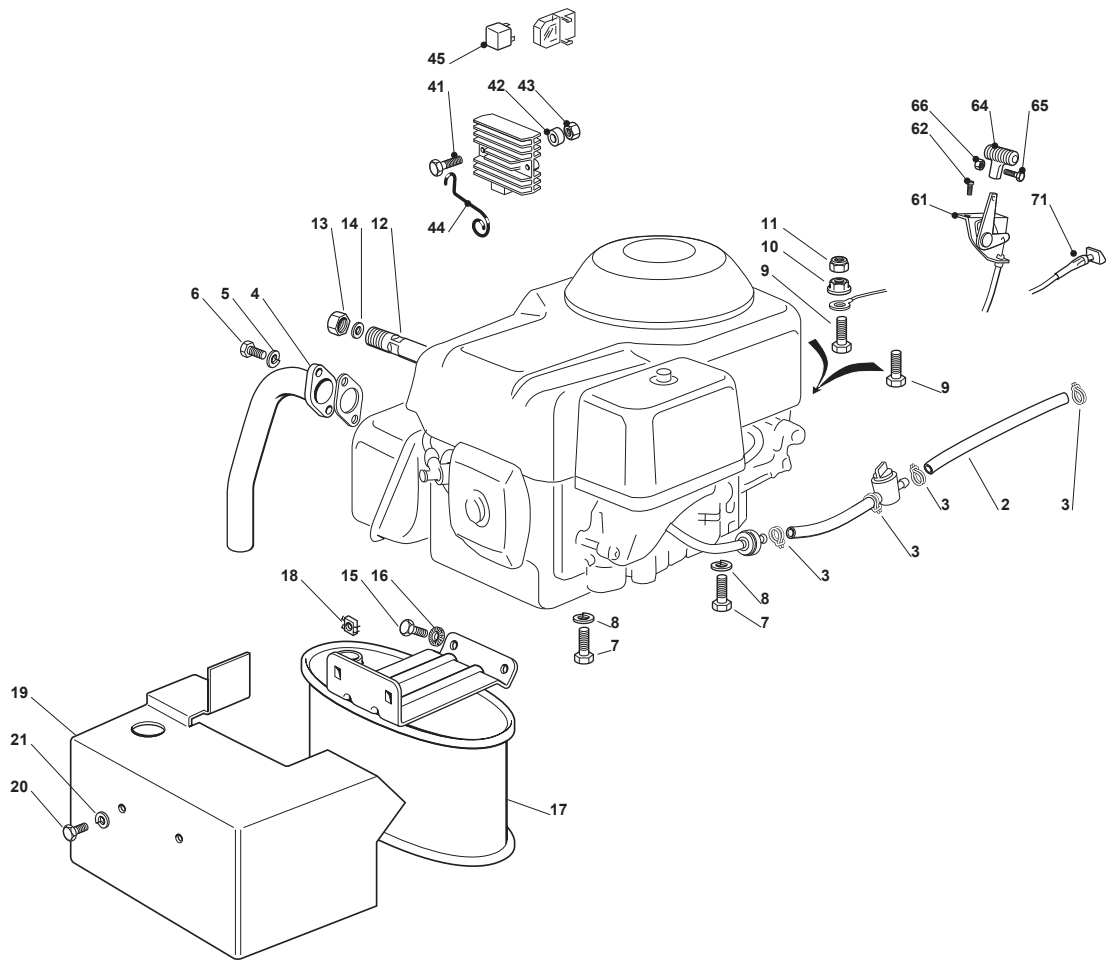




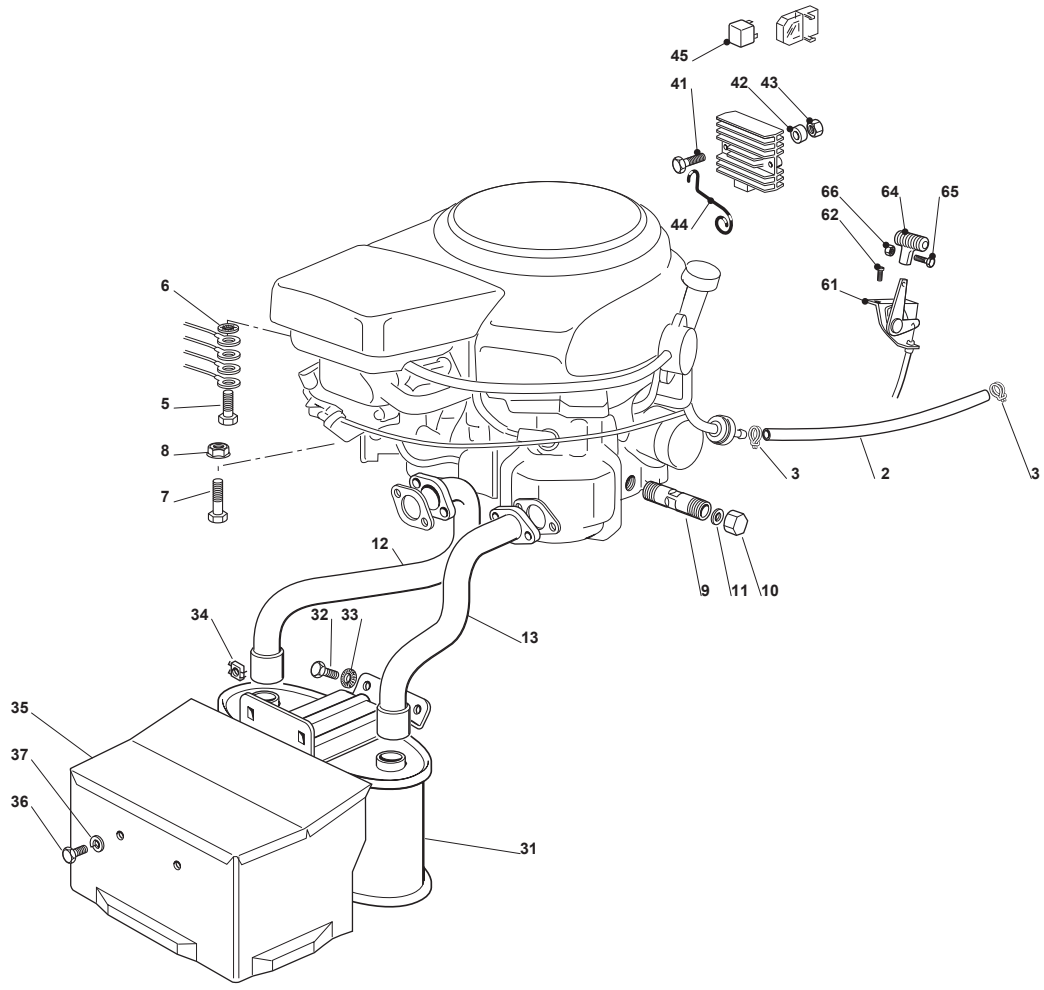
| Fig. | Quantity | Part No      | Description        | Notes |
|------|----------|--------------|--------------------|-------|
| 2    | 1        | 325869057/0  | Connecting Tube    |       |
| 3    | 4        | 118375051/1  | Fair Led           |       |
| 4    | 1        | 118738224/0  | Exhaust Conn. Tube |       |
| 5    | 2        | 112583500/0  | Grower             |       |
| 6    | 2        | 112735530/0  | Screw              |       |
| 7    | 1        | 112691115/0  | Screw              |       |
| 8    | 1        | 112540260/0  | Grower             |       |
| 9    | 1        | 112154210/0  | Nut                |       |
| 10   | 1        | 118562996/0  | Shut out valve     |       |
| 11   | 1        | 1134-5827-01 | Oil Drain Assy     |       |
| 14   | 2        | 112793102/0  | Screw              |       |
| 15   | 2        | 112540260/0  | Grower             |       |
| 16   | 1        | 182750010/0  | Muffler            |       |
| 17   | 2        | 112360425/0  | Nut                |       |
| 18   | 1        | 382598009/2  | Muffler Protection |       |
| 19   | 2        | 112792611/0  | Screw              |       |
| 20   | 2        | 112583500/0  | Grower             |       |
| 24   | 3        | 112154210/0  | Nut                |       |
| 25   | 3        | 112691100/0  | Screw              |       |
| 41   | 2        | 112791213/1  | Screw              |       |
| 42   | 2        | 112292102/0  | Nut                |       |
| 43   | 1        | 118736110/0  | Starter Relay      |       |
| 44   | 2        | 112360352/0  | Nut                |       |
| 45   | 1        | 118564861/1  | Protection         |       |
| 46   | 1        | 125065017/0  | Cable              |       |
| 61   | 1        | 182000200/1  | Throttle Cable     |       |
| 62   | 2        | 125943012/0  | Screw              |       |
| 64   | 1        | 325592000/0  | Knob               |       |
| 65   | 1        | 112726388/0  | Screw              |       |
| 66   | 1        | 112290800/0  | Nut                |       |



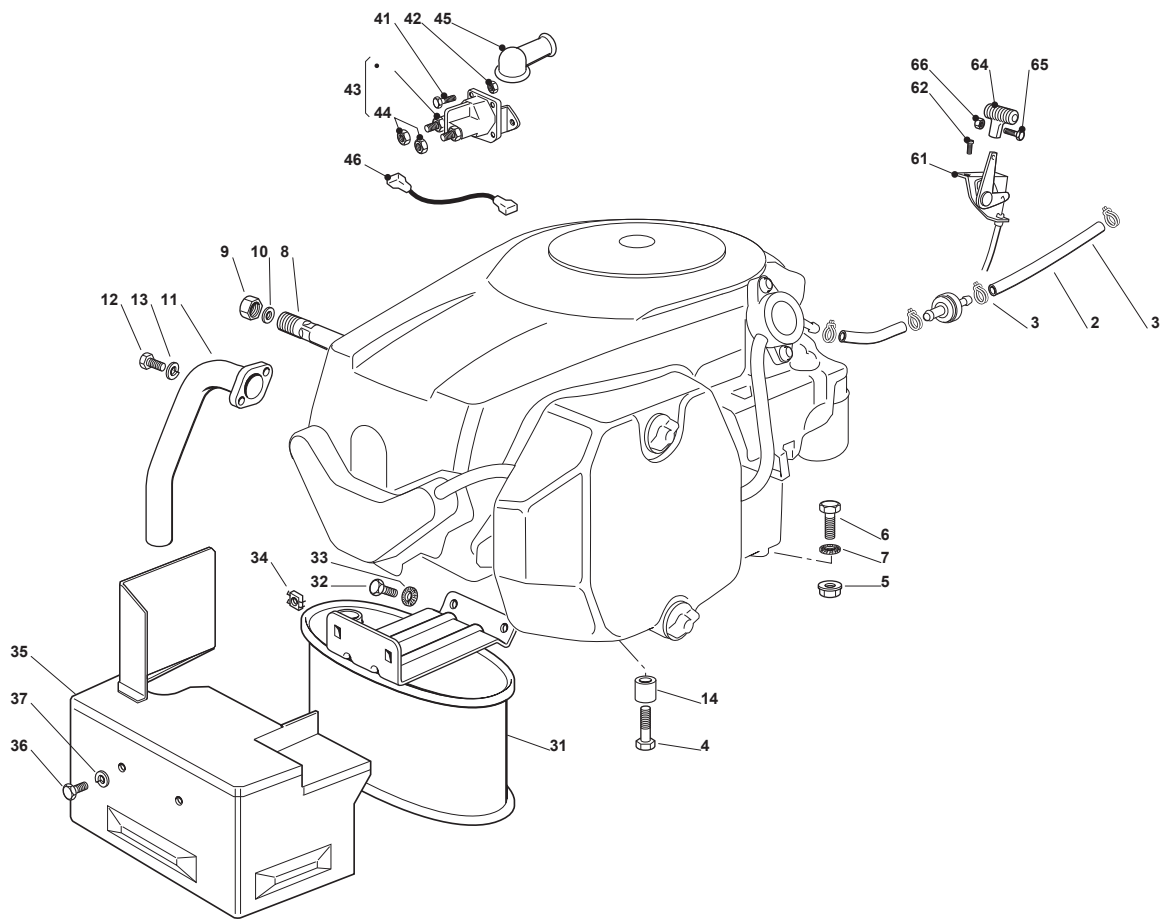
| Fig. | Quantity | Part No      | Description            | Notes |
|------|----------|--------------|------------------------|-------|
| 2    | 1        | 325869057/0  | Connecting Tube        |       |
| 3    | 2        | 118375051/1  | Fair Led               |       |
| 4    | 1        | 118738206/0  | Exhaust Discharge Tube |       |
| 5    | 2        | 112583500/0  | Grower                 |       |
| 6    | 2        | 112735530/0  | Screw                  |       |
| 7    | 1        | 112691115/0  | Screw                  |       |
| 8    | 1        | 112540260/0  | Grower                 |       |
| 9    | 1        | 112154210/0  | Nut                    |       |
| 11   | 1        | 1134-5827-01 | Oil Drain Assy         |       |
| 14   | 2        | 112793102/0  | Screw                  |       |
| 15   | 2        | 112540260/0  | Grower                 |       |
| 16   | 1        | 182750010/0  | Muffler                |       |
| 17   | 2        | 112360425/0  | Nut                    |       |
| 18   | 1        | 382598009/2  | Muffler Protection     |       |
| 19   | 2        | 112792611/0  | Screw                  |       |
| 20   | 2        | 112583500/0  | Grower                 |       |
| 24   | 3        | 112154210/0  | Nut                    |       |
| 25   | 3        | 112691100/0  | Screw                  |       |
| 41   | 2        | 112791213/1  | Screw                  |       |
| 42   | 2        | 112292102/0  | Nut                    |       |
| 43   | 1        | 118736110/0  | Starter Relay          |       |
| 44   | 2        | 112360352/0  | Nut                    |       |
| 45   | 1        | 118564861/1  | Protection             |       |
| 46   | 1        | 125065017/0  | Cable                  |       |
| 61   | 1        | 182000200/1  | Throttle Cable         |       |
| 62   | 2        | 125943012/0  | Screw                  |       |
| 64   | 1        | 325592000/0  | Knob                   |       |
| 65   | 1        | 112726388/0  | Screw                  |       |
| 66   | 1        | 112290800/0  | Nut                    |       |



| Fig. | Quantity | Part No     | Description             | Notes |
|------|----------|-------------|-------------------------|-------|
| 2    | 1        | 325869057/0 | Connecting Tube         |       |
| 3    | 4        | 118375051/1 | Fair Led                |       |
| 4    | 1        | 118738204/0 | Exhaust Discharge Tube  |       |
| 5    | 2        | 112583500/0 | Grower                  |       |
| 6    | 2        | 112793102/0 | Screw                   |       |
| 7    | 2        | 112735802/0 | Screw                   |       |
| 8    | 2        | 112583500/0 | Grower                  |       |
| 9    | 2        | 112691100/0 | Screw                   |       |
| 10   | 2        | 112154210/0 | Nut                     |       |
| 11   | 1        | 112155000/0 | Nut                     |       |
| 12   | 1        | 127598061/1 | Oil Discharge Extension |       |
| 13   | 1        | 118737849/0 | Plug                    |       |
| 14   | 1        | 118401001/1 | Oil Seal                |       |
| 15   | 2        | 112792611/0 | Screw                   |       |
| 16   | 2        | 112540260/0 | Grower                  |       |
| 17   | 1        | 182750010/0 | Muffler                 |       |
| 18   | 2        | 112360425/0 | Nut                     |       |
| 19   | 1        | 382598003/1 | Muffler Protection      |       |
| 20   | 2        | 125943012/0 | Screw                   |       |
| 21   | 2        | 112583500/0 | Grower                  |       |
| 41   | 2        | 112815221/0 | Screw                   |       |
| 42   | 2        | 122170950/0 | Spacer                  |       |
| 43   | 2        | 112292102/0 | Nut                     |       |
| 44   | 1        | 127430561/0 | Spring                  |       |
| 45   | 1        | 133567000/0 | Relay                   |       |
| 61   | 1        | 182000200/1 | Throttle Cable          |       |
| 62   | 2        | 112788512/0 | Screw                   |       |
| 64   | 1        | 125394501/0 | Knob                    |       |
| 65   | 1        | 112726388/0 | Screw                   |       |
| 66   | 1        | 112290800/0 | Nut                     |       |
| 71   | 1        | 125090007/0 | Choke Control           |       |

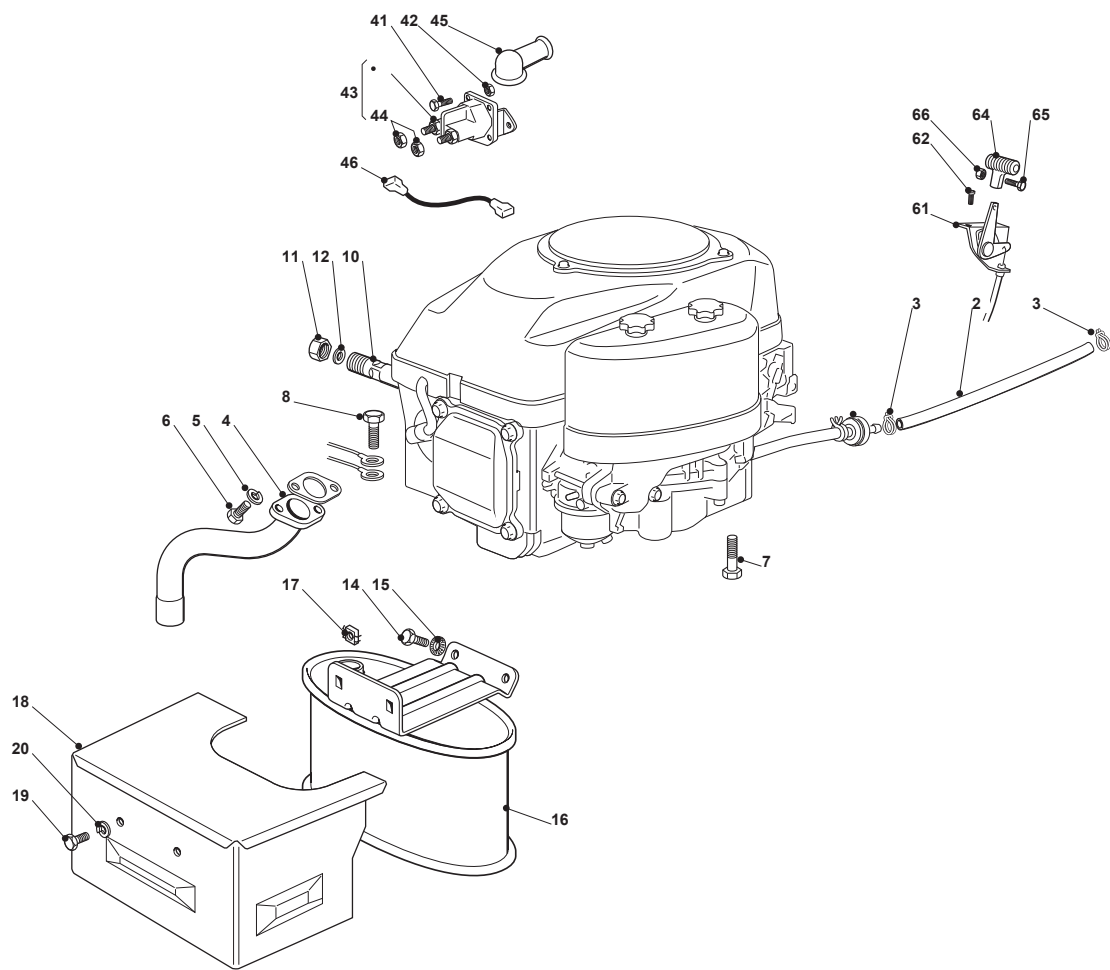


| Fig. | Quantity | Part No     | Description              | Notes |
|------|----------|-------------|--------------------------|-------|
| 2    | 1        | 325869057/0 | Connecting Tube          |       |
| 3    | 2        | 118375051/1 | Fair Led                 |       |
| 5    | 1        | 112735599/0 | Screw                    |       |
| 6    | 1        | 112540260/0 | Grower                   |       |
| 7    | 4        | 112691115/0 | Screw                    |       |
| 8    | 4        | 112154210/0 | Nut                      |       |
| 10   | 1        | 118737849/0 | Plug                     |       |
| 11   | 1        | 118401001/1 | Oil Seal                 |       |
| 12   | 1        | 118738221/0 | Exhaust Tube Right       |       |
| 13   | 1        | 118738222/0 | Right Exhaust Connection |       |
| 31   | 1        | 182750003/0 | Muffler Assy             |       |
| 32   | 2        | 112793102/0 | Screw                    |       |
| 33   | 2        | 112540260/0 | Grower                   |       |
| 34   | 2        | 112360425/0 | Nut                      |       |
| 35   | 1        | 382598005/2 | Muffler Protection       |       |
| 36   | 2        | 112792611/0 | Screw                    |       |
| 37   | 2        | 112583500/0 | Grower                   |       |
| 41   | 2        | 112815221/0 | Screw                    |       |
| 42   | 2        | 122170950/0 | Spacer                   |       |
| 43   | 2        | 112292102/0 | Nut                      |       |
| 44   | 1        | 127430561/0 | Spring                   |       |
| 45   | 1        | 133567000/0 | Relay                    |       |
| 61   | 1        | 182000200/1 | Throttle Cable           |       |
| 62   | 2        | 125943012/0 | Screw                    |       |
| 64   | 1        | 125394501/0 | Knob                     |       |
| 65   | 1        | 112726388/0 | Screw                    |       |
| 66   | 1        | 112290800/0 | Nut                      |       |

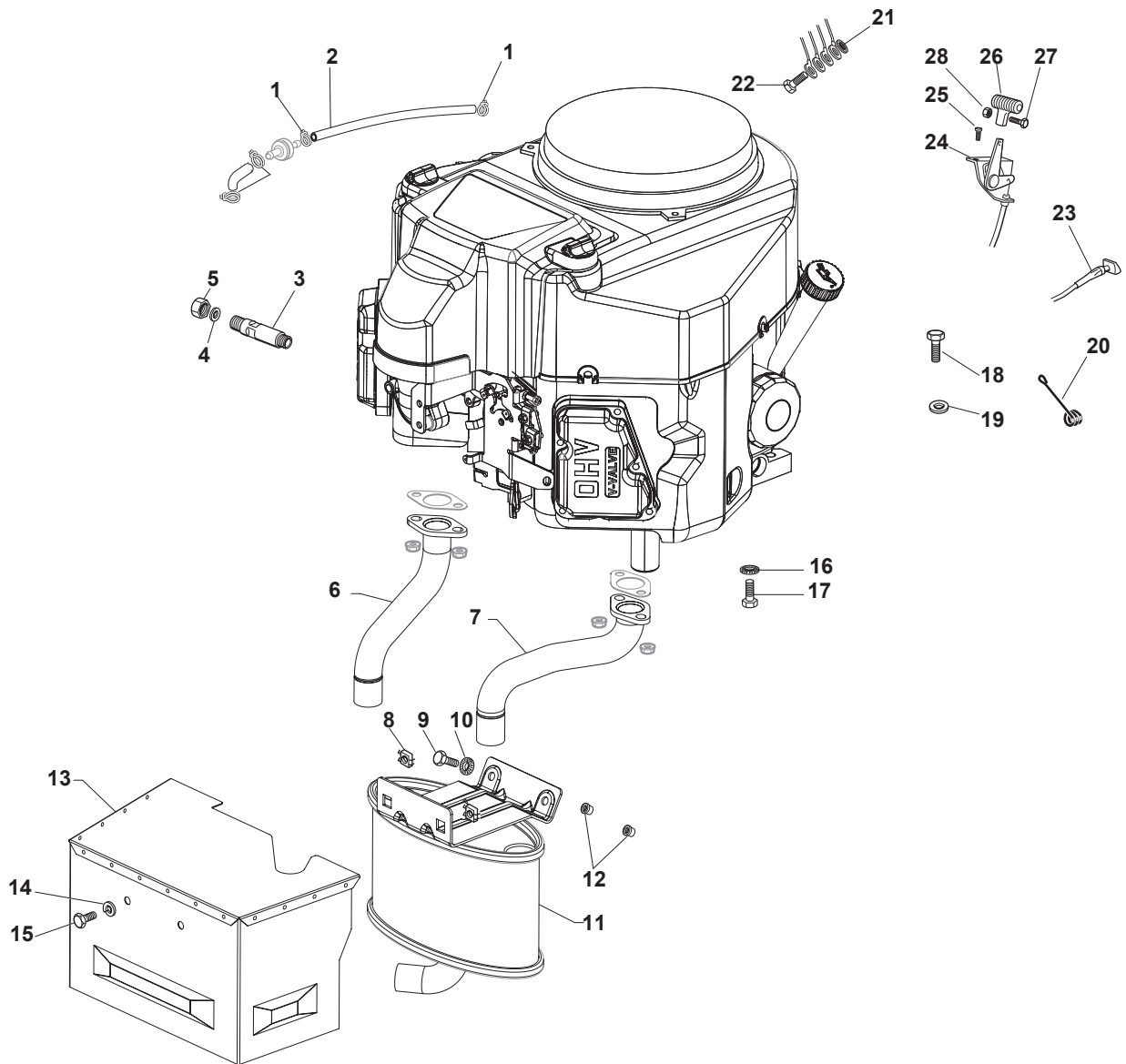




| Fig. | Quantity | Part No     | Description               | Notes |
|------|----------|-------------|---------------------------|-------|
| 2    | 1        | 325869057/0 | Connecting Tube           |       |
| 3    | 2        | 118375051/1 | Fair Led                  |       |
| 4    | 3        | 112735108/1 | Screw                     |       |
| 5    | 1        | 112154210/0 | Nut                       |       |
| 6    | 1        | 112691115/0 | Screw                     |       |
| 7    | 1        | 112540260/0 | Grower                    |       |
| 8    | 1        | 127598060/0 | Oil Discharge Extension   |       |
| 9    | 1        | 118737849/0 | Plug                      |       |
| 10   | 1        | 118401001/1 | Oil Seal                  |       |
| 11   | 1        | 118738227/0 | Exhaust Pipe Kohler 16-18 |       |
| 12   | 2        | 112735530/0 | Screw                     |       |
| 13   | 2        | 112583500/0 | Grower                    |       |
| 14   | 3        | 125160035/0 | Spacer                    |       |
| 31   | 1        | 182750010/0 | Muffler                   |       |
| 32   | 2        | 112793102/0 | Screw                     |       |
| 33   | 2        | 112540260/0 | Grower                    |       |
| 34   | 2        | 112360425/0 | Nut                       |       |
| 35   | 1        | 382598029/0 | Muffler Protection        |       |
| 36   | 2        | 112792611/0 | Screw                     |       |
| 37   | 2        | 112583500/0 | Grower                    |       |
| 41   | 2        | 112791213/1 | Screw                     |       |
| 42   | 2        | 112292102/0 | Nut                       |       |
| 43   | 1        | 118736110/0 | Starter Relay             |       |
| 44   | 2        | 112360352/0 | Nut                       |       |
| 45   | 1        | 118564864/1 | Protection                |       |
| 46   | 1        | 125065017/0 | Cable                     |       |
| 61   | 1        | 182000200/1 | Throttle Cable            |       |
| 62   | 2        | 125943012/0 | Screw                     |       |
| 64   | 1        | 125394501/0 | Knob                      |       |
| 65   | 1        | 112726388/0 | Screw                     |       |
| 66   | 1        | 112290800/0 | Nut                       |       |



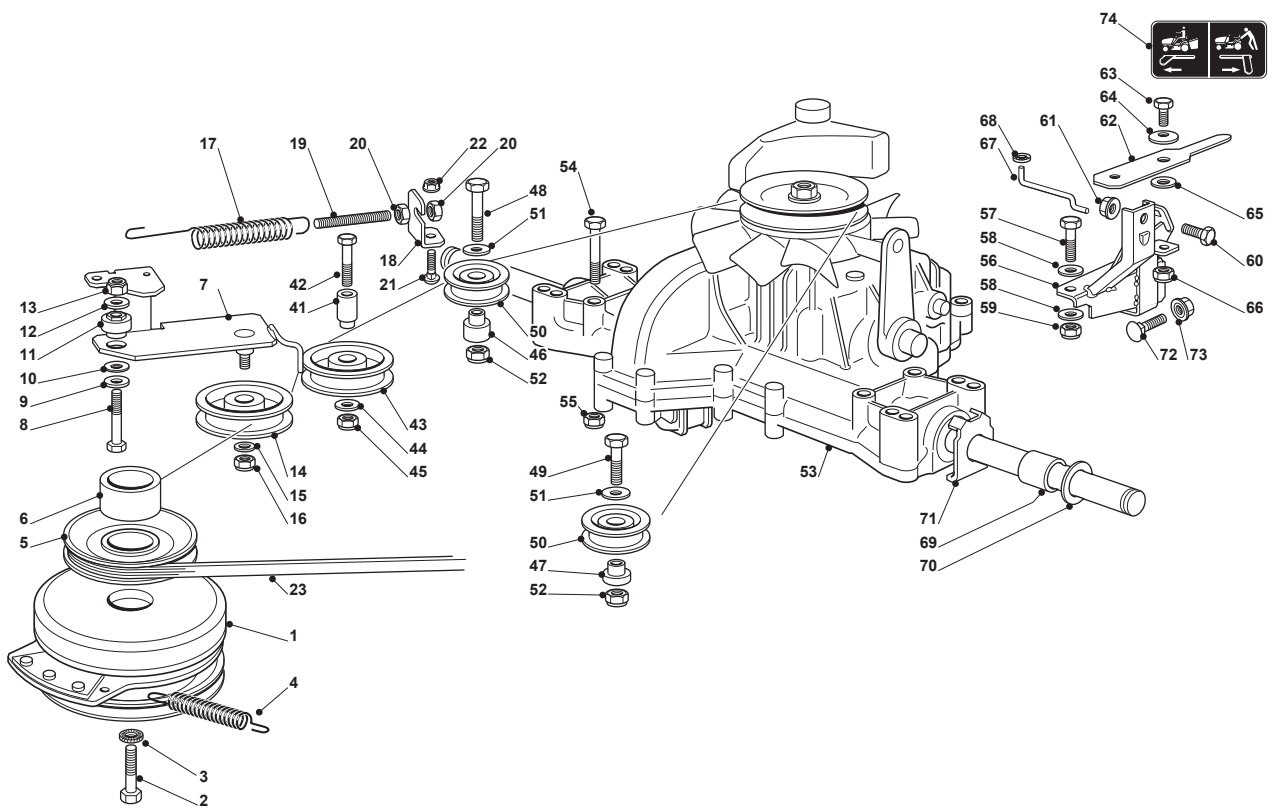
| Fig. | Quantity | Part No     | Description             | Notes |
|------|----------|-------------|-------------------------|-------|
| 2    | 1        | 325869057/0 | Connecting Tube         |       |
| 3    | 4        | 118375051/1 | Fair Led                |       |
| 4    | 1        | 118738231/1 | Exhaust Tube            |       |
| 5    | 2        | 112583500/0 | Grower                  |       |
| 6    | 2        | 112737450/0 | Screw                   |       |
| 7    | 4        | 112735108/1 | Screw                   |       |
| 8    | 1        | 112735599/0 | Screw                   |       |
| 10   | 1        | 127598060/0 | Oil Discharge Extension |       |
| 11   | 1        | 118737849/0 | Plug                    |       |
| 12   | 1        | 118401001/1 | Oil Seal                |       |
| 14   | 2        | 112793102/0 | Screw                   |       |
| 15   | 2        | 112540260/0 | Grower                  |       |
| 16   | 1        | 182750010/0 | Muffler                 |       |
| 17   | 2        | 112360425/0 | Nut                     |       |
| 18   | 1        | 382598039/0 | Guard                   |       |
| 19   | 2        | 112792611/0 | Screw                   |       |
| 20   | 2        | 112583500/0 | Grower                  |       |
| 41   | 2        | 112791213/1 | Screw                   |       |
| 42   | 2        | 112292102/0 | Nut                     |       |
| 43   | 1        | 118736110/0 | Starter Relay           |       |
| 44   | 2        | 112360352/0 | Nut                     |       |
| 45   | 1        | 118564864/1 | Protection              |       |
| 46   | 1        | 125065017/0 | Cable                   |       |
| 61   | 1        | 182000212/0 | Accelerator             |       |
| 62   | 2        | 125943012/0 | Screw                   |       |
| 64   | 1        | 125394501/0 | Knob                    |       |
| 65   | 1        | 112726388/0 | Screw                   |       |
| 66   | 1        | 112290800/0 | Nut                     |       |



| Fig. | Quantity | Part No     | Description              | Notes |
|------|----------|-------------|--------------------------|-------|
| 1    | 2        | 118375051/1 | Fair Led                 |       |
| 2    | 1        | 138780531/0 | Fuel Tube                |       |
| 3    | 1        | 125598050/0 | Oil Discharge Extension  |       |
| 4    | 1        | 118401001/1 | Oil Seal                 |       |
| 5    | 1        | 118737849/0 | Plug                     |       |
| 6    | 1        | 118738256/0 | Left Exhaust Connection  |       |
| 7    | 1        | 118738257/0 | Right Exhaust Connection |       |
| 8    | 3        | 112360425/0 | Nut                      |       |
| 9    | 3        | 112793102/0 | Screw                    |       |
| 10   | 2        | 112540260/0 | Grower                   |       |
| 11   | 1        | 182750014/0 | Muffler                  |       |
| 12   | 2        | 112280100/0 | Nut                      |       |
| 13   | 1        | 382598065/0 | Muffler Protection       |       |
| 14   | 2        | 112792611/0 | Screw                    |       |
| 15   | 2        | 112583500/0 | Grower                   |       |
| 16   | 4        | 112540070/0 | Washer                   |       |
| 17   | 4        | 112735821/0 | Screw                    |       |
| 18   | 1        | 112792611/0 | Screw                    |       |
| 19   | 1        | 112521350/0 | Washer                   |       |
| 20   | 1        | 125430252/0 | Spring                   |       |
| 21   | 3        | 112540260/0 | Grower                   |       |
| 22   | 3        | 112793102/0 | Screw                    |       |
| 23   | 1        | 112540260/0 | Grower                   |       |
| 24   | 1        | 182000201/2 | Accelerator              |       |
| 25   | 2        | 125943012/0 | Screw                    |       |
| 26   | 1        | 325592000/0 | Knob                     |       |
| 27   | 1        | 112726388/0 | Screw                    |       |
| 28   | 1        | 112290800/0 | Nut                      |       |

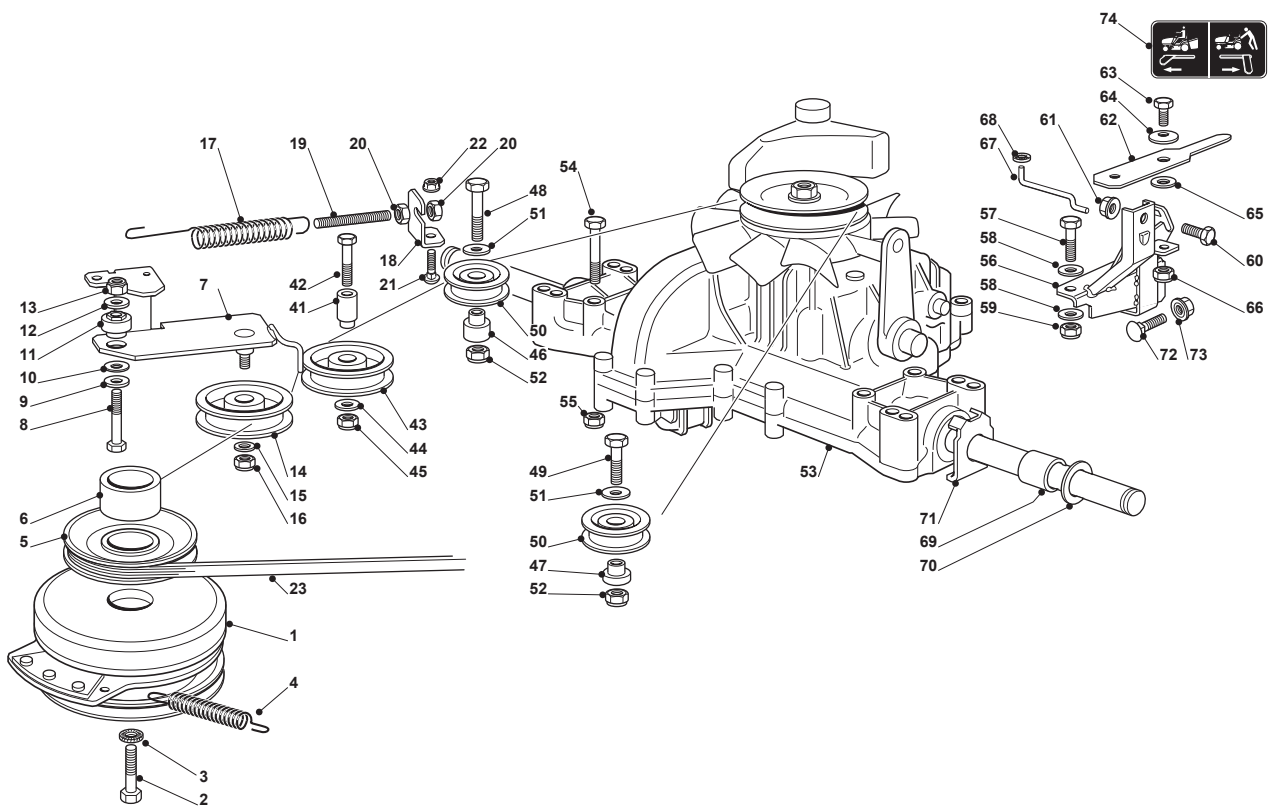


| Fig. | Quantity | Part No     | Description              | Notes |
|------|----------|-------------|--------------------------|-------|
| 1    | 2        | 118375051/1 | Fair Led                 |       |
| 2    | 1        | 138780531/0 | Fuel Tube                |       |
| 3    | 1        | 125598060/0 | Oil Discharge Extension  |       |
| 4    | 1        | 118401001/1 | Oil Seal                 |       |
| 5    | 1        | 118737849/0 | Plug                     |       |
| 6    | 1        | 118738256/0 | Left Exhaust Connection  |       |
| 7    | 1        | 118738257/0 | Right Exhaust Connection |       |
| 8    | 3        | 112360425/0 | Nut                      |       |
| 9    | 3        | 112793102/0 | Screw                    |       |
| 10   | 2        | 112540260/0 | Grower                   |       |
| 11   | 1        | 182750003/0 | Muffler Assy             |       |
| 12   | 2        | 112280100/0 | Nut                      |       |
| 13   | 1        | 382598065/0 | Muffler Protection       |       |
| 14   | 2        | 112792611/0 | Screw                    |       |
| 15   | 2        | 112583500/0 | Grower                   |       |
| 16   | 4        | 112540070/0 | Washer                   |       |
| 17   | 4        | 112735821/0 | Screw                    |       |
| 18   | 1        | 112792611/0 | Screw                    |       |
| 19   | 1        | 112521350/0 | Washer                   |       |
| 20   | 1        | 125430252/0 | Spring                   |       |
| 21   | 3        | 112540260/0 | Grower                   |       |
| 22   | 3        | 112793102/0 | Screw                    |       |
| 23   | 1        | 112540260/0 | Grower                   |       |
| 24   | 1        | 182000201/2 | Accelerator              |       |
| 25   | 2        | 125943012/0 | Screw                    |       |
| 26   | 1        | 325592000/0 | Knob                     |       |
| 27   | 1        | 112726388/0 | Screw                    |       |
| 28   | 1        | 112290800/0 | Nut                      |       |





| Fig. | Quantity | Part No     | Description              | Notes |
|------|----------|-------------|--------------------------|-------|
| 1    | 1        | 118399063/0 | Electromagnetic Clutch   |       |
| 2    | 1        | 112737320/0 | Screw                    |       |
| 3    | 1        | 112543000/0 | Washer                   |       |
| 4    | 1        | 122430216/0 | Tension Spring           |       |
| 5    | 1        | 125601566/1 | Pulley                   |       |
| 6    | 1        | 125160021/0 | Spacer                   |       |
| 7    | 1        | 382318217/0 | Lever                    |       |
| 8    | 1        | 112691115/0 | Screw                    |       |
| 9    | 1        | 112523060/0 | Washer                   |       |
| 10   | 1        | 327670055/0 | Antifriction Washer      |       |
| 11   | 1        | 125510087/0 | Pin                      |       |
| 12   | 1        | 112523060/0 | Washer                   |       |
| 13   | 5        | 112155000/0 | Nut                      |       |
| 14   | 1        | 125601554/0 | Pulley                   |       |
| 15   | 1        | 112523060/0 | Washer                   |       |
| 16   | 1        | 112155000/0 | Nut                      |       |
| 17   | 1        | 125430260/0 | Spring                   |       |
| 18   | 1        | 325755049/0 | Bracket                  |       |
| 19   | 1        | 125840005/0 | Tie Rod                  |       |
| 20   | 2        | 112293200/0 | Nut                      |       |
| 21   | 1        | 112818690/0 | Screw                    |       |
| 22   | 1        | 112293201/0 | Nut                      |       |
| 23   | 1        | 135062020/0 | Trapezoidal Belt         |       |
| 41   | 1        | 125510100/0 | Pin                      |       |
| 42   | 1        | 112691800/0 | Screw                    |       |
| 43   | 1        | 125601555/0 | Pulley                   |       |
| 44   | 1        | 112523060/0 | Washer                   |       |
| 45   | 1        | 112155000/0 | Nut                      |       |
| 46   | 1        | 125160024/2 | Right Spacer             |       |
| 47   | 1        | 125160030/2 | Left Spacer              |       |
| 48   | 1        | 112691400/0 | Screw                    |       |
| 49   | 1        | 112691115/0 | Screw                    |       |
| 50   | 2        | 125601588/0 | Pulley                   |       |
| 51   | 2        | 122671653/0 | Washer                   |       |
| 52   | 2        | 112155000/0 | Nut                      |       |
| 53   | 1        | 118400960/0 | Rear Axle Tuff Torq K46S |       |
| 54   | 4        | 112691800/0 | Screw                    |       |
| 55   | 4        | 112154210/0 | Nut                      |       |
| 56   | 1        | 382785149/0 | Support                  |       |
| 57   | 1        | 112691200/0 | Screw                    |       |
| 58   | 2        | 112521350/0 | Washer                   |       |
| 59   | 1        | 112155000/0 | Nut                      |       |
| 60   | 1        | 112792611/0 | Screw                    |       |
| 61   | 1        | 112293201/0 | Nut                      |       |
| 62   | 1        | 325318157/0 | Lever                    |       |
| 63   | 1        | 112293201/0 | Nut                      |       |
| 64   | 1        | 112155000/0 | Nut                      |       |
| 65   | 1        | 325670011/0 | Antifriction Washer      |       |
| 66   | 1        | 112155000/0 | Nut                      |       |
| 67   | 1        | 125033033/0 | Rod                      |       |
| 68   | 1        | 112604896/0 | Crown Fastener           |       |

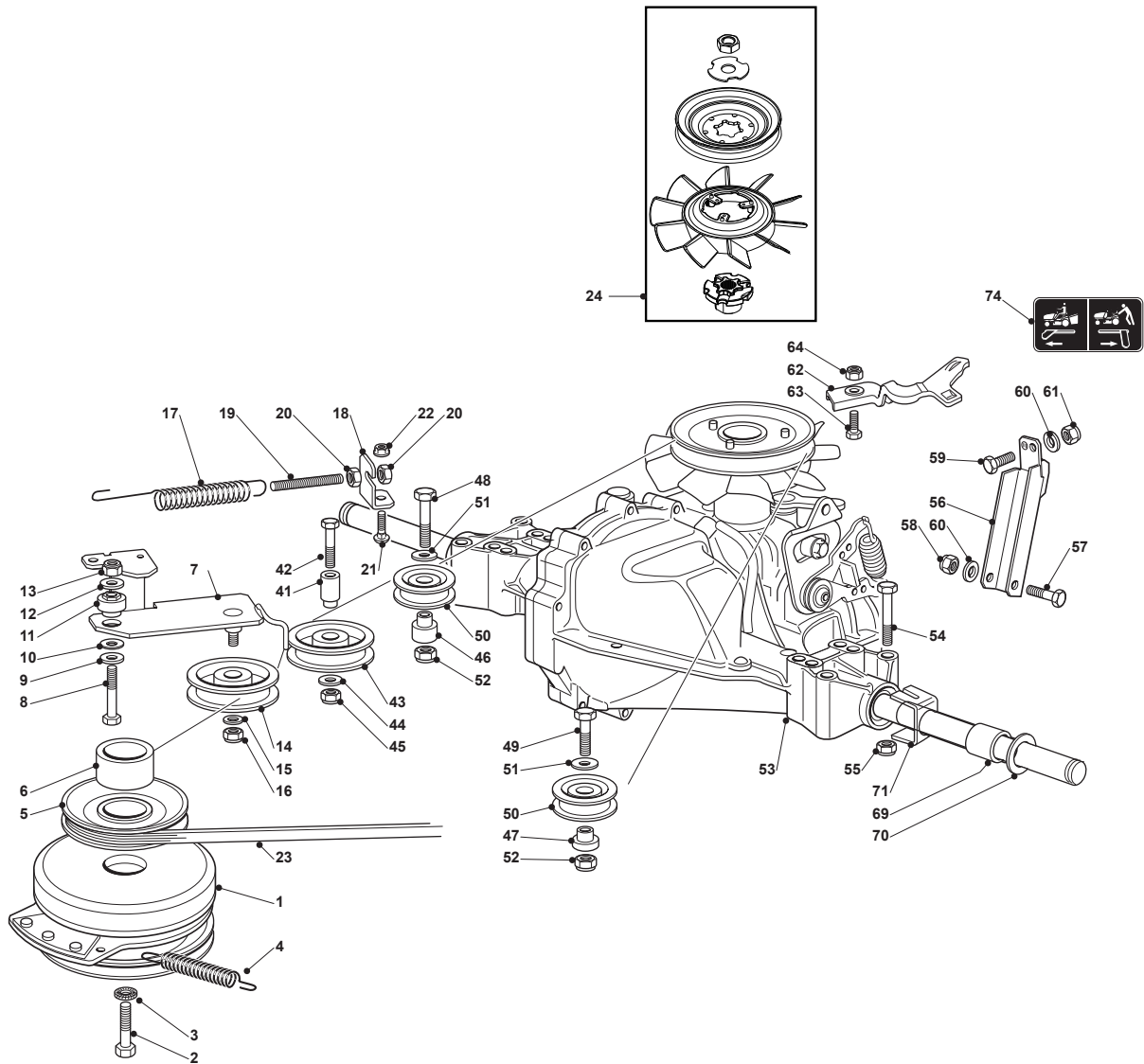


# NJ 92 HYDRO

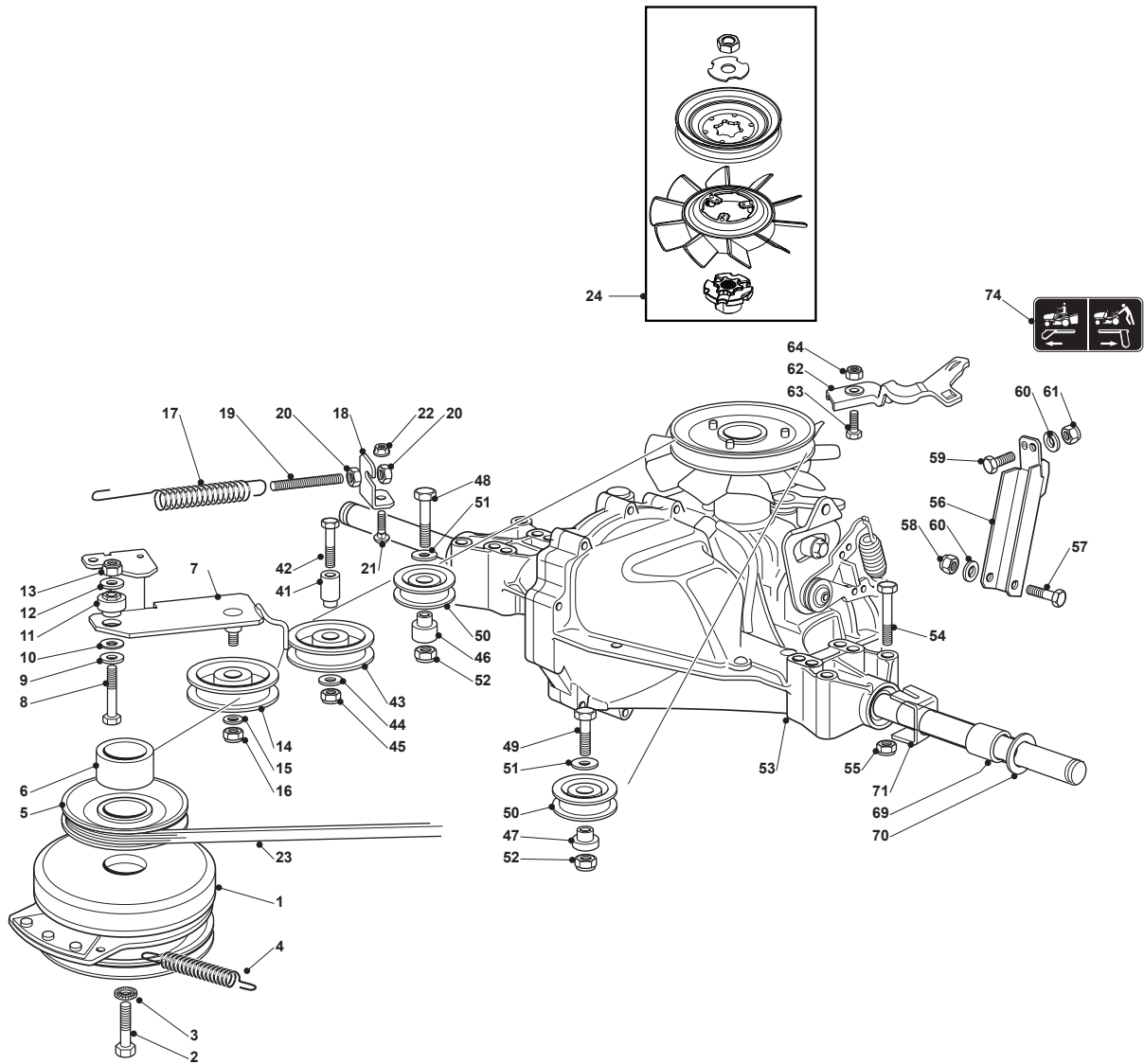
Ride-on 90 - 92 Tuff Torq Transmission

Issue 10 - 2015

| Fig. | Quantity | Part No     | Description | Notes |
|------|----------|-------------|-------------|-------|
| 69   | 2        | 125160031/0 | Spacer      |       |
| 70   | 4        | 112521410/0 | Washer      |       |
| 71   | 2        | 325670025/0 | Washer      |       |
| 72   | 1        | 112792611/0 | Screw       |       |
| 73   | 1        | 112293201/0 | Nut         |       |
| 74   | 1        | 114361451/0 | Label       |       |



| Fig. | Quantity | Part No     | Description                              | Notes |
|------|----------|-------------|--|-------|
| 1    | 1        | 118399063/0 | Electromagnetic Clutch                   |       |
| 2    | 1        | 112737320/0 | Screw                                    |       |
| 3    | 1        | 112543000/0 | Washer                                   |       |
| 4    | 1        | 122430216/0 | Tension Spring                           |       |
| 5    | 1        | 125601577/0 | Pulley                                   |       |
| 6    | 1        | 125160021/0 | Spacer                                   |       |
| 7    | 1        | 382318217/0 | Lever                                    |       |
| 8    | 1        | 112691115/0 | Screw                                    |       |
| 9    | 1        | 112523060/0 | Washer                                   |       |
| 10   | 1        | 327670055/0 | Antifriction Washer                      |       |
| 11   | 1        | 125510087/0 | Pin                                      |       |
| 12   | 1        | 112523060/0 | Washer                                   |       |
| 13   | 1        | 112155000/0 | Nut                                      |       |
| 14   | 1        | 125601554/0 | Pulley                                   |       |
| 15   | 1        | 112523060/0 | Washer                                   |       |
| 16   | 1        | 112155000/0 | Nut                                      |       |
| 17   | 1        | 125430260/0 | Spring                                   |       |
| 18   | 1        | 325755049/0 | Bracket                                  |       |
| 19   | 1        | 125840005/0 | Tie Rod                                  |       |
| 20   | 2        | 112293200/0 | Nut                                      |       |
| 21   | 1        | 112818690/0 | Screw                                    |       |
| 22   | 1        | 112293201/0 | Nut                                      |       |
| 24   | 1        | 118802723/0 | Fan Kit                                  |       |
| 41   | 1        | 125160080/0 | Pin                                      |       |
| 42   | 1        | 112691800/0 | Screw                                    |       |
| 43   | 1        | 325601599/0 | Pulley                                   |       |
| 44   | 1        | 112523060/0 | Washer                                   |       |
| 45   | 1        | 112155000/0 | Nut                                      |       |
| 46   | 1        | 125160024/2 | Right Spacer                             |       |
| 47   | 1        | 125160030/2 | Left Spacer                              |       |
| 48   | 1        | 112691400/0 | Screw                                    |       |
| 49   | 1        | 112691115/0 | Screw                                    |       |
| 50   | 2        | 125601588/0 | Pulley                                   |       |
| 51   | 2        | 122671653/0 | Washer                                   |       |
| 52   | 2        | 112155000/0 | Nut                                      |       |
| 53   | 1        | 118400919/2 | Rear Axle (Hydro-Gear T2-Adbf-2X3C-17X1) |       |
| 54   | 4        | 112691600/0 | Screw                                    |       |
| 55   | 4        | 112154210/0 | Nut                                      |       |
| 56   | 1        | 382785199/0 | Support                                  |       |
| 57   | 1        | 112691700/0 | Screw                                    |       |
| 58   | 1        | 112155000/0 | Nut                                      |       |
| 59   | 1        | 112793701/0 | Screw                                    |       |
| 60   | 2        | 112523060/0 | Washer                                   |       |
| 61   | 1        | 112155000/0 | Nut                                      |       |
| 62   | 1        | 325318253/0 | Lever                                    |       |
| 63   | 1        | 112791213/1 | Screw                                    |       |
| 64   | 1        | 112154210/0 | Nut                                      |       |
| 69   | 2        | 125160058/0 | Spacer                                   |       |
| 70   | 2        | 125670005/1 | Washer                                   |       |
| 71   | 2        | 325670025/0 | Washer                                   |       |
| 74   | 1        | 114361451/0 | Label                                    |       |

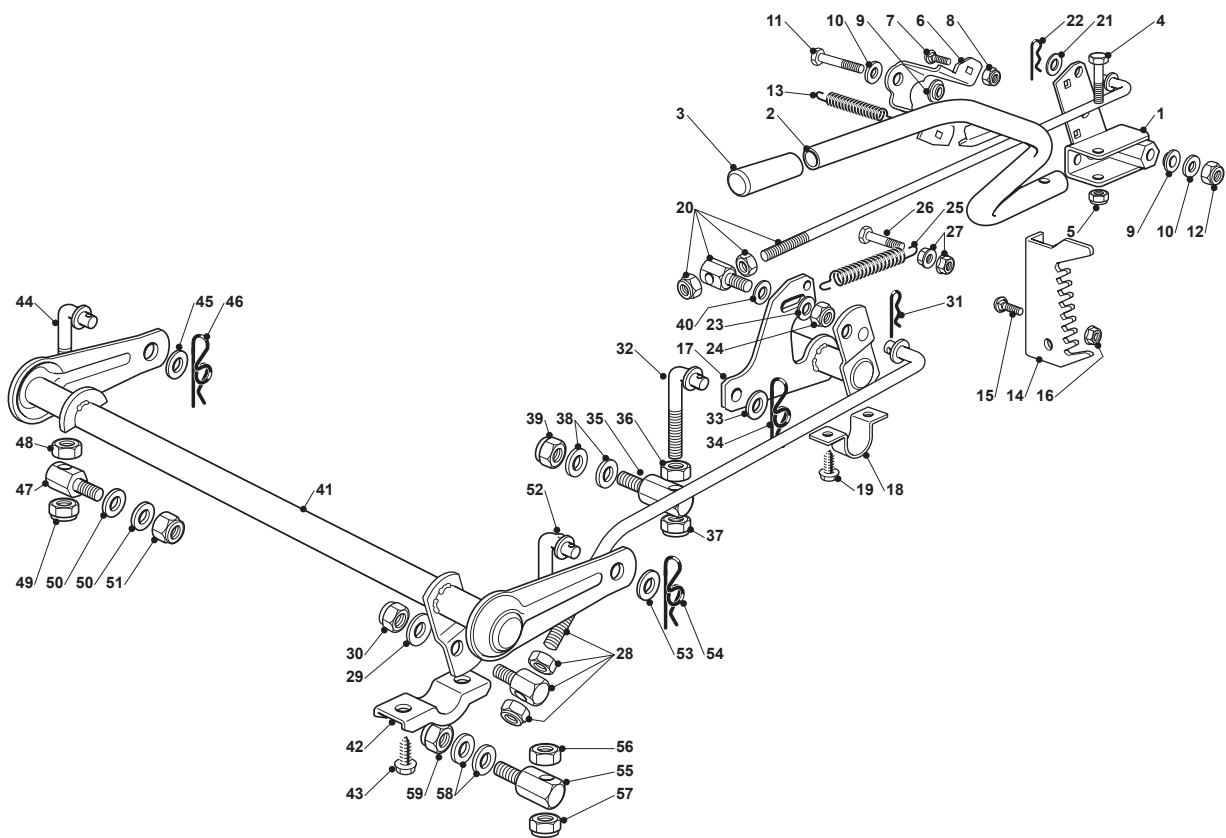


# NJ 92 HYDRO

Ride-on 90 - 92 Hydrogear Transmission

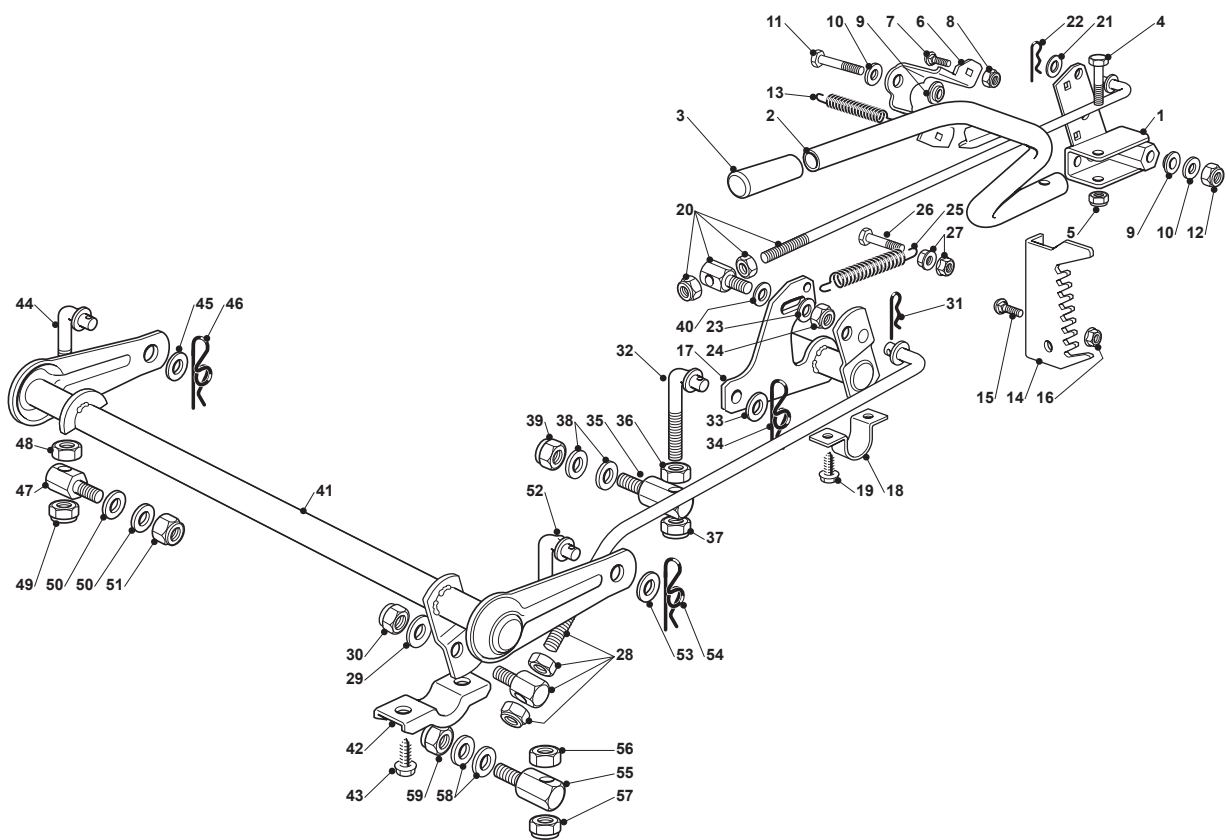
Issue 10 - 2015

| Fig. | Quantity | Part No     | Description | Notes |
|------|----------|-------------|-------------|-------|
| 23   | 1        | 135062019/0 | Belt        |       |

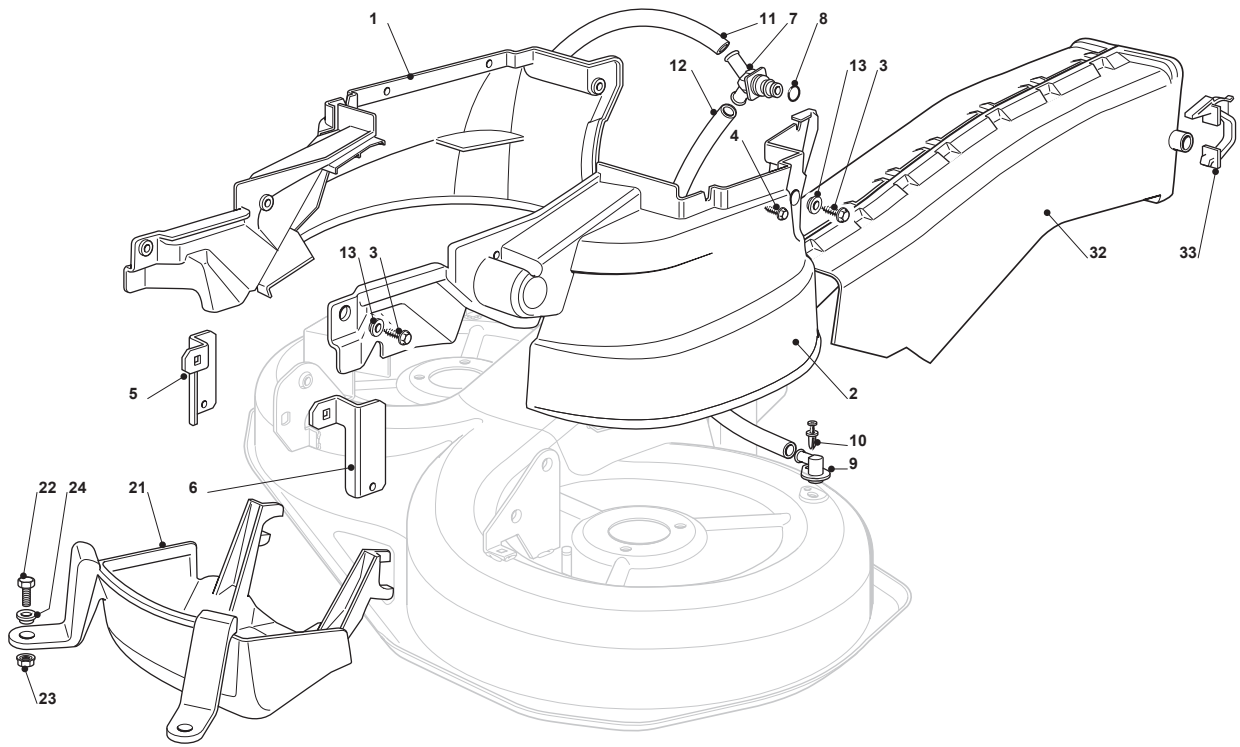




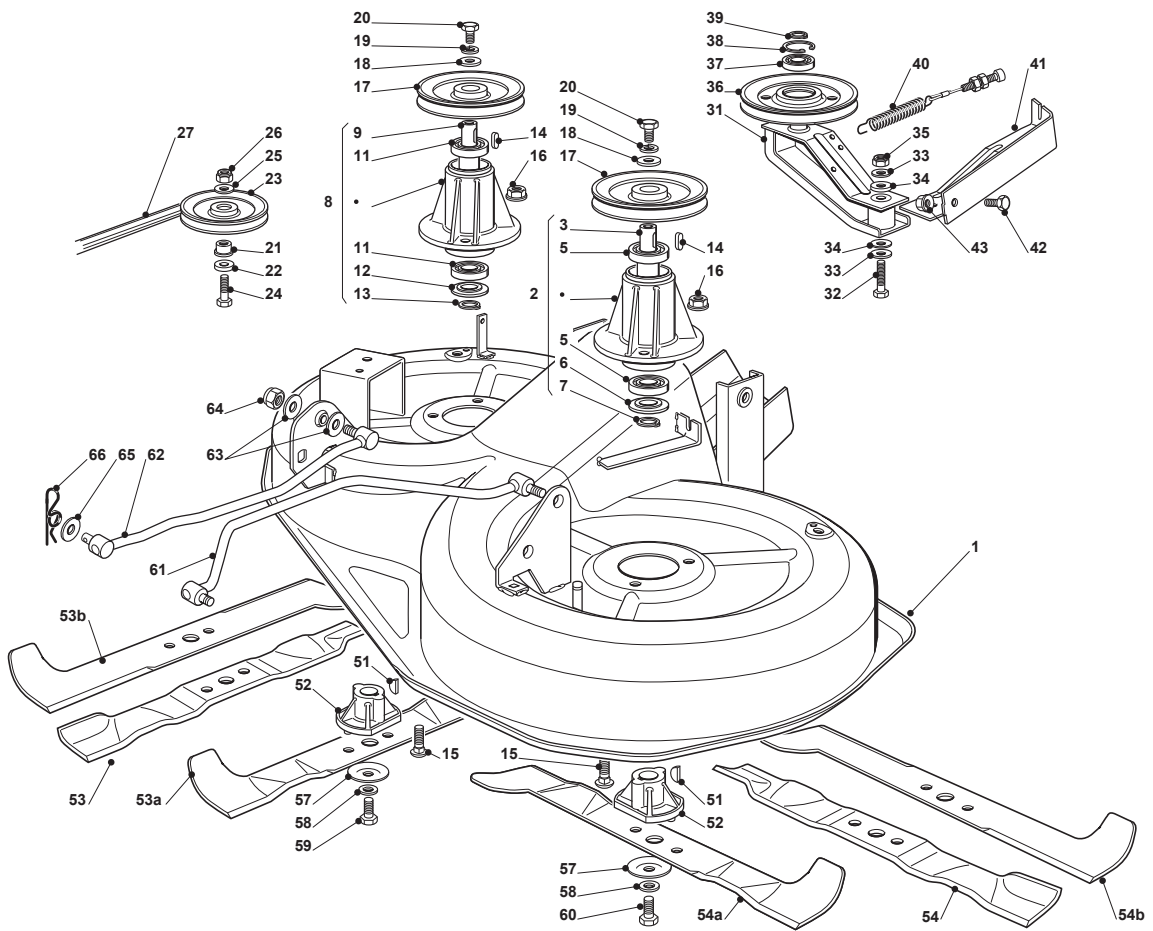
| Fig. | Quantity | Part No     | Description         | Notes |
|------|----------|-------------|---------------------|-------|
| 1    | 1        | 382774249/0 | Clamp               |       |
| 2    | 1        | 382318219/1 | Lever               |       |
| 3    | 1        | 125394508/0 | Knob                |       |
| 4    | 1        | 112674700/0 | Screw               |       |
| 5    | 1        | 112154510/0 | Nut                 |       |
| 6    | 1        | 325650113/0 | Plate               |       |
| 7    | 2        | 112818690/0 | Screw               |       |
| 8    | 2        | 112155000/0 | Nut                 |       |
| 9    | 2        | 122041980/0 | Bushing             |       |
| 10   | 2        | 112523060/0 | Washer              |       |
| 11   | 1        | 112691600/0 | Screw               |       |
| 12   | 1        | 112155000/0 | Nut                 |       |
| 13   | 1        | 125430259/0 | Spring              |       |
| 14   | 1        | 325735511/0 | Sector              |       |
| 15   | 2        | 112818690/0 | Screw               |       |
| 16   | 2        | 112293201/0 | Nut                 |       |
| 17   | 1        | 382000387/0 | Axle                |       |
| 18   | 2        | 325547041/1 | Plate               |       |
| 19   | 4        | 112731580/0 | Screw               |       |
| 20   | 1        | 382000618/0 | Rod                 |       |
| 21   | 1        | 325670011/0 | Antifriction Washer |       |
| 22   | 1        | 124487997/0 | Cotter Pin          |       |
| 23   | 1        | 112523040/0 | Washer              |       |
| 24   | 1        | 112154210/0 | Nut                 |       |
| 25   | 1        | 122446402/0 | Spring              |       |
| 26   | 1        | 112792410/0 | Screw               |       |
| 27   | 2        | 112292102/0 | Nut                 |       |
| 28   | 1        | 382000537/0 | Connecting Rod      |       |
| 29   | 2        | 325670008/1 | Washer              |       |
| 30   | 1        | 112156602/0 | Nut                 |       |
| 31   | 1        | 124487998/0 | Cotter Pin          |       |
| 32   | 1        | 125840025/0 | Tie Rod             |       |
| 33   | 1        | 325670008/1 | Washer              |       |
| 34   | 1        | 124487998/0 | Cotter Pin          |       |
| 35   | 1        | 125510090/0 | Pin                 |       |
| 36   | 1        | 112295200/0 | Nut                 |       |
| 37   | 1        | 112156602/0 | Nut                 |       |
| 38   | 2        | 325670008/1 | Washer              |       |
| 39   | 1        | 112156602/0 | Nut                 |       |
| 40   | 2        | 112521360/0 | Washer              |       |
| 41   | 1        | 382000385/0 | Axle                |       |
| 42   | 2        | 327546015/2 | Plate               |       |
| 43   | 4        | 112731350/0 | Screw               |       |
| 44   | 1        | 125840024/0 | Tie Rod             |       |
| 45   | 1        | 325670008/1 | Washer              |       |
| 46   | 1        | 124487998/0 | Cotter Pin          |       |
| 47   | 1        | 125510098/0 | Pin                 |       |
| 48   | 1        | 112295200/0 | Nut                 |       |
| 49   | 1        | 112156602/0 | Nut                 |       |
| 50   | 2        | 325670008/1 | Washer              |       |
| 51   | 1        | 112156602/0 | Nut                 |       |



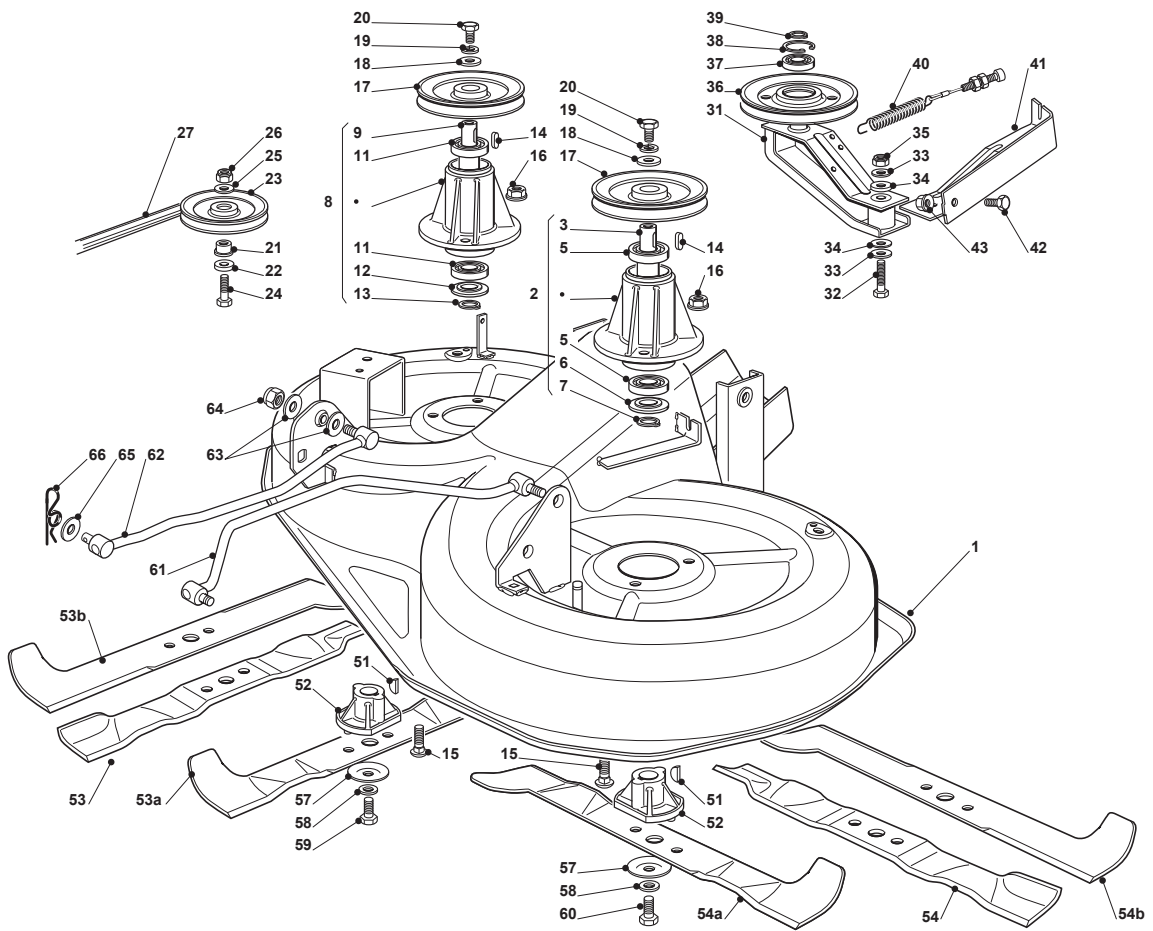
| Fig. | Quantity | Part No     | Description | Notes |
|------|----------|-------------|-------------|-------|
| 52   | 1        | 125840025/0 | Tie Rod     |       |
| 53   | 1        | 325670008/1 | Washer      |       |
| 54   | 1        | 124487998/0 | Cotter Pin  |       |
| 55   | 1        | 125510090/0 | Pin         |       |
| 56   | 1        | 112295200/0 | Nut         |       |
| 57   | 1        | 112156602/0 | Nut         |       |
| 58   | 2        | 325670008/1 | Washer      |       |
| 59   | 1        | 112156602/0 | Nut         |       |



| Fig. | Quantity | Part No     | Description                   | Notes |
|------|----------|-------------|-------------------------------|-------|
| 1    | 1        | 325060121/1 | Right Belt Protection Carter  |       |
| 2    | 1        | 325060122/0 | Belt Protection               |       |
| 3    | 6        | 112735120/0 | Screw                         |       |
| 4    | 4        | 112728535/0 | Screw                         |       |
| 5    | 1        | 325774381/0 | Bracket                       |       |
| 6    | 1        | 325774383/0 | Bracket                       |       |
| 7    | 1        | 325033066/0 | Water Hose Connection         |       |
| 8    | 1        | 112000970/0 | Ring (Benzing)                |       |
| 9    | 2        | 325033065/0 | Water Hose Connection         |       |
| 10   | 2        | 112500030/0 | Rivet                         |       |
| 11   | 1        | 325869069/0 | Washing Tube                  |       |
| 12   | 1        | 325869068/0 | Washing Tube                  |       |
| 13   | 6        | 325160039/0 | Spacer                        |       |
| 21   | 1        | 325060127/0 | Belt Protection, Left - Right |       |
| 22   | 2        | 112791400/0 | Screw                         |       |
| 23   | 2        | 112154510/0 | Nut                           |       |
| 24   | 2        | 325160039/0 | Spacer                        |       |
| 32   | 1        | 382108008/0 | Conveyor                      |       |
| 33   | 2        | 325774373/0 | Clamp                         |       |

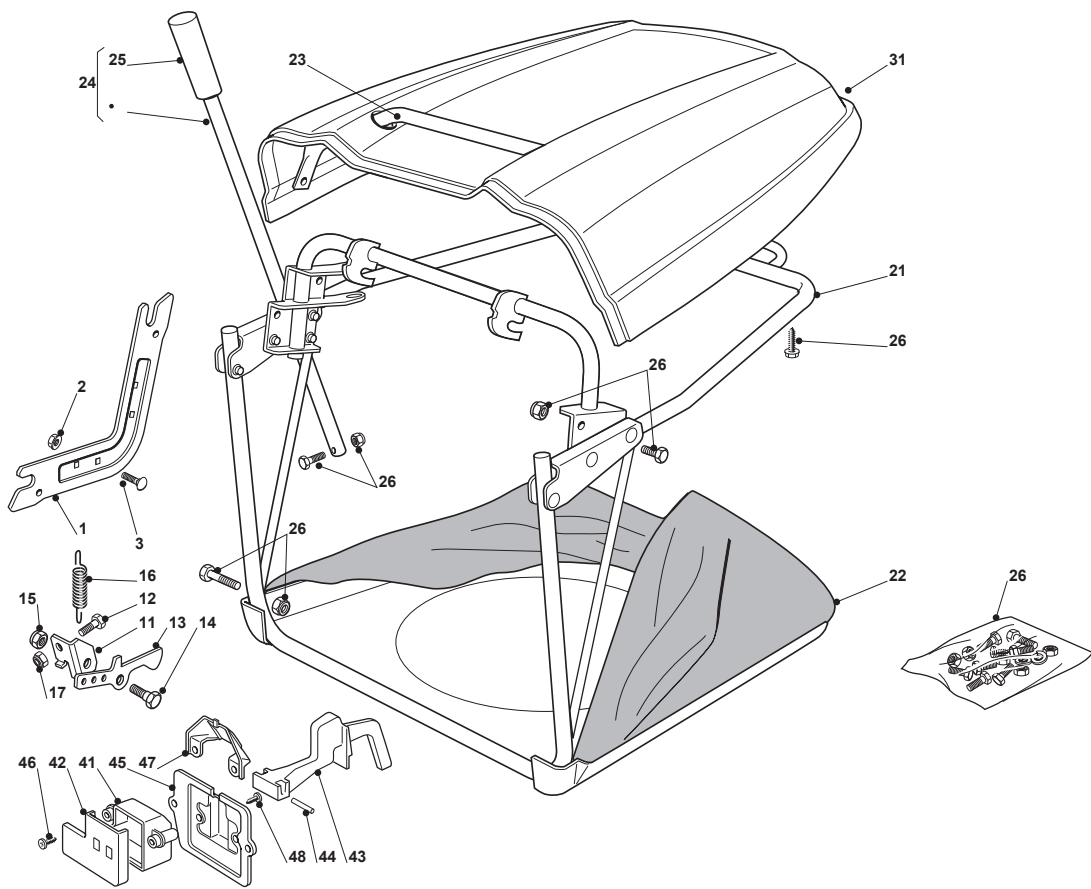


| Fig. | Quantity | Part No     | Description                 | Notes  |
|------|----------|-------------|-----------------------------|--------|
| 1    | 1        | 382564075/0 | Cutting Plate Black         | Black  |
| 1    | 1        | 382564116/0 | Cutting Plate Grey          | Grey   |
| 1    | 1        | 382564091/0 | Cutting Plate Red           | Red    |
| 1    | 1        | 382564112/0 | Cutting Plate Yellow        | Yellow |
| 2    | 1        | 382207202/0 | Left Flange Ass.Y           |        |
| 3    | 1        | 125020802/0 | Shaft                       |        |
| 5    | 2        | 119216047/0 | Bearing                     |        |
| 6    | 1        | 325160501/0 | Dust Cover Disc             |        |
| 7    | 1        | 112609260/0 | Seeger                      |        |
| 8    | 1        | 382207203/0 | Right Flange Assy           |        |
| 9    | 1        | 125020803/0 | Secondary Blade Shaft       |        |
| 11   | 2        | 119216047/0 | Bearing                     |        |
| 12   | 1        | 325160501/0 | Dust Cover Disc             |        |
| 13   | 1        | 112609260/0 | Seeger                      |        |
| 14   | 2        | 112139480/0 | Feather                     |        |
| 15   | 6        | 112818700/0 | Screw                       |        |
| 16   | 6        | 112154210/0 | Nut                         |        |
| 17   | 2        | 125601563/0 | Pulley                      |        |
| 18   | 2        | 125670007/0 | Washer                      |        |
| 19   | 2        | 112583500/0 | Grower                      |        |
| 20   | 2        | 112793102/0 | Screw                       |        |
| 21   | 1        | 125160079/0 | Spacer                      |        |
| 22   | 1        | 125670007/0 | Washer                      |        |
| 23   | 1        | 325601599/0 | Pulley                      |        |
| 24   | 1        | 112691115/0 | Screw                       |        |
| 25   | 1        | 112523060/0 | Washer                      |        |
| 26   | 1        | 112155000/0 | Nut                         |        |
| 27   | 1        | 135065701/0 | Belt                        |        |
| 31   | 1        | 382318141/2 | Lever                       |        |
| 32   | 1        | 112691700/0 | Screw                       |        |
| 33   | 2        | 112523070/0 | Washer                      |        |
| 34   | 2        | 322672152/0 | Antifriction Washer         |        |
| 35   | 1        | 112155000/0 | Nut                         |        |
| 36   | 1        | 125601564/1 | Pulley                      |        |
| 37   | 1        | 119216048/0 | Bearing                     |        |
| 38   | 1        | 112610800/0 | Seeger                      |        |
| 39   | 1        | 112609200/0 | Seeger                      |        |
| 40   | 1        | 382004618/0 | Wire                        |        |
| 41   | 1        | 382774215/3 | Clamp                       |        |
| 42   | 1        | 112792611/0 | Screw                       |        |
| 43   | 1        | 112293201/0 | Nut                         |        |
| 51   | 2        | 112139100/0 | Feather, Crankshaft Ø 22,2  |        |
| 52   | 2        | 125463200/0 | Blade Hub                   |        |
| 53   | 1        | 182004354/0 | Right Blade, Winged         | 53a    |
| 53   | 1        | 182004345/1 | Right Blade, Winged         | 53b    |
| 53   | 1        | 182004352/0 | Right Mulching Blade        |        |
| 54   | 1        | 182004353/0 | Left Blade Mulching, Winged | 54a    |
| 54   | 1        | 182004344/1 | Left Blade, Winged          | 54b    |
| 54   | 1        | 181004346/3 | Blade                       |        |
| 57   | 2        | 122160400/0 | Elastic Disc                |        |
| 58   | 2        | 112523080/0 | Washer                      |        |

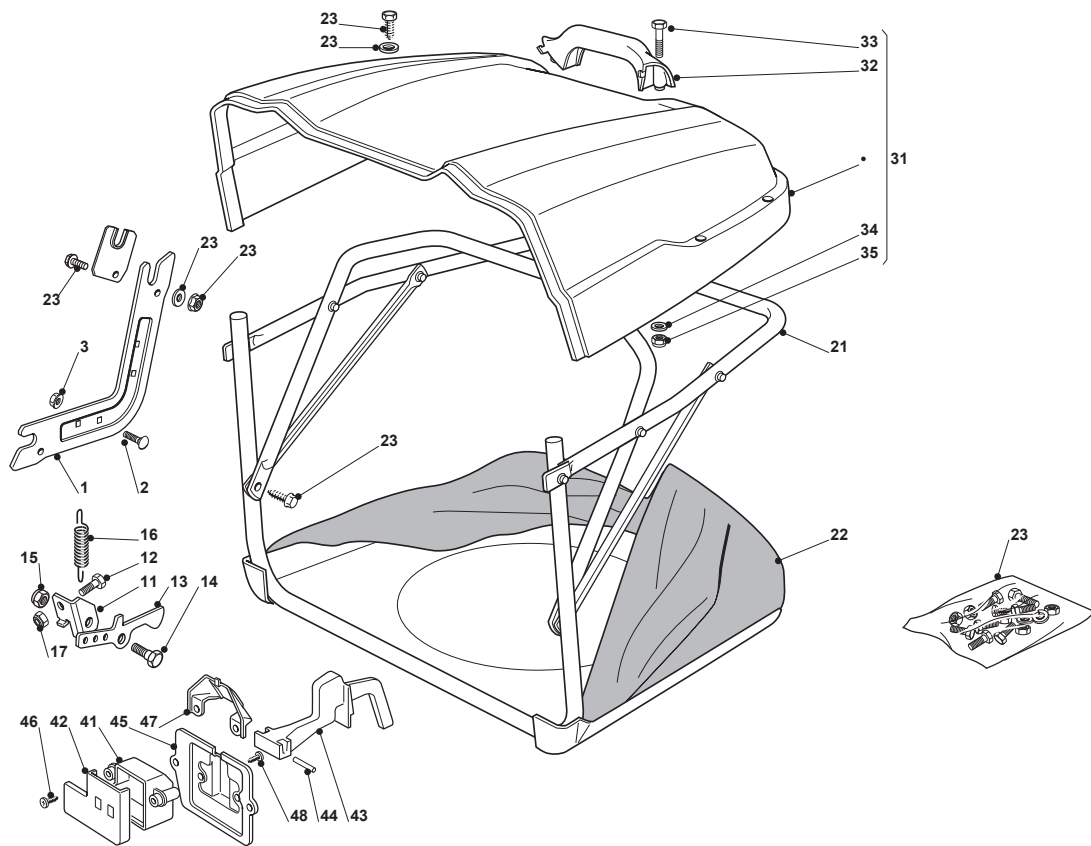




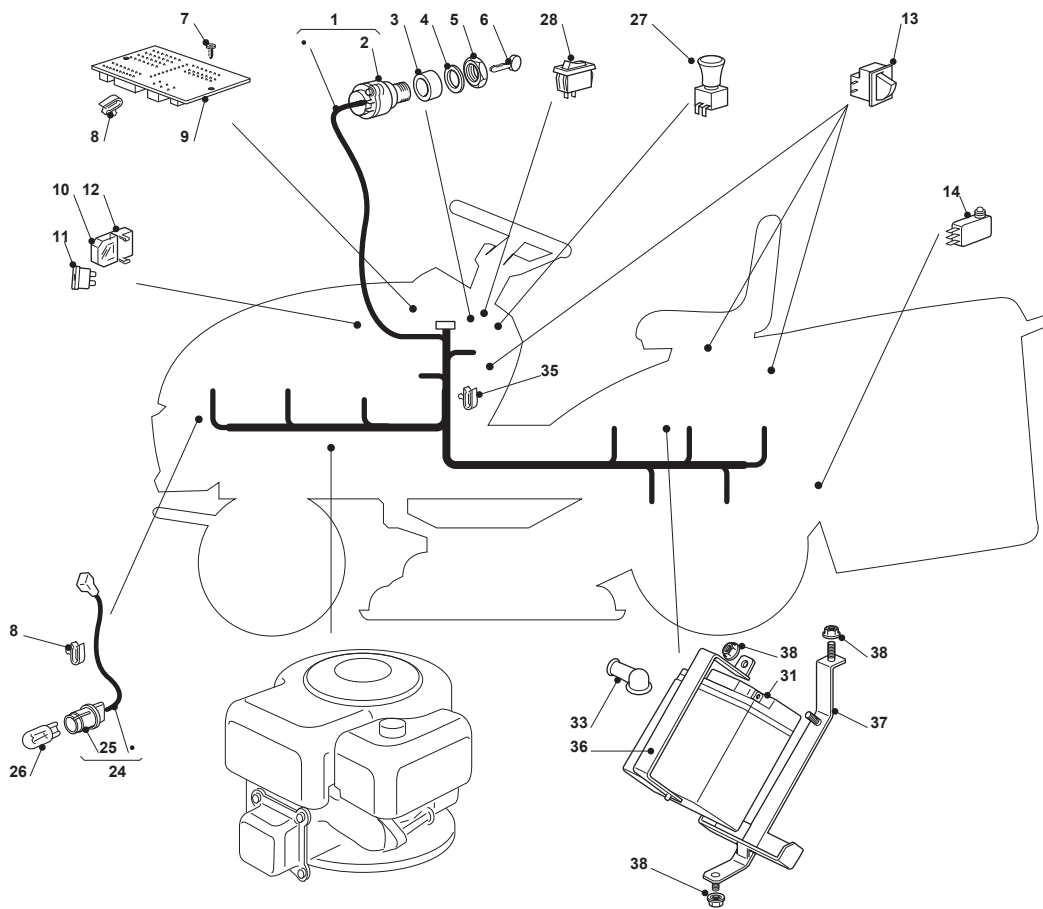
| Fig. | Quantity | Part No     | Description   | Notes |
|------|----------|-------------|---------------|-------|
| 59   | 1        | 112735695/1 | Screw         |       |
| 60   | 1        | 112735694/0 | Screw         |       |
| 61   | 1        | 382000535/0 | Equalizer Rod |       |
| 62   | 1        | 382000533/0 | Equalizer Rod |       |
| 63   | 4        | 325670008/1 | Washer        |       |
| 64   | 2        | 112156602/0 | Nut           |       |
| 65   | 2        | 325670008/1 | Washer        |       |
| 66   | 2        | 124487998/0 | Cotter Pin    |       |



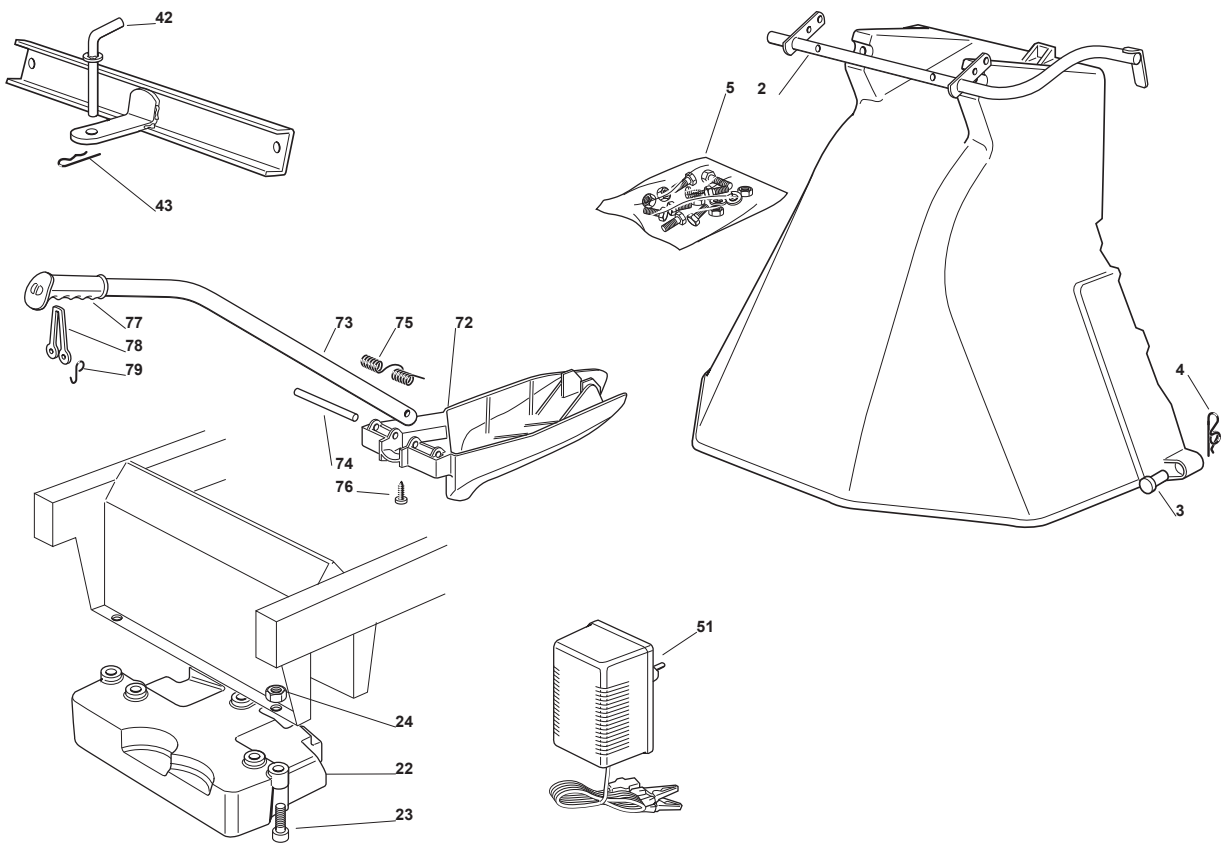
| Fig. | Quantity | Part No     | Description                         | Notes  |
|------|----------|-------------|-------------------------------------|--------|
| 1    | 2        | 325785275/0 | Support                             |        |
| 2    | 4        | 112818690/0 | Screw                               |        |
| 3    | 4        | 112293201/0 | Nut                                 |        |
| 11   | 1        | 325755031/1 | Bracket                             |        |
| 12   | 1        | 112789000/0 | Screw                               |        |
| 13   | 1        | 325774315/1 | Bracket                             |        |
| 14   | 1        | 125510080/1 | Pin                                 |        |
| 15   | 1        | 112292102/0 | Nut                                 |        |
| 16   | 1        | 122450432/0 | Spring                              |        |
| 17   | 1        | 112154330/0 | Nut                                 |        |
| 21   | 1        | 382800111/0 | Front Frame                         |        |
| 22   | 1        | 182105973/0 | Grasscatcher                        |        |
| 23   | 1        | 382394003/0 | Front Handle                        |        |
| 24   | 1        | 382869023/0 | Rod                                 |        |
| 25   | 1        | 125394508/0 | Knob                                |        |
| 26   | 1        | 382180048/0 | Screw                               |        |
| 31   | 1        | 325110319/0 | Yellow Grass-Catcher Cover          | Yellow |
| 31   | 1        | 325110320/0 | Red Grass-Catcher Cover             | Red    |
| 31   | 1        | 325110342/0 | Grey Grass-Catcher Cover            | Grey   |
| 31   | 1        | 325110413/0 | Black Grass-Catcher Cover           | Black  |
| 31   | 1        | 325110421/0 | White Grass-Catcher Cover           | White  |
| 41   | 1        | 125600041/0 | Grassc.Full Micro Protection        |        |
| 42   | 1        | 125600042/0 | Grasscatcher Micro Prot Cover       |        |
| 43   | 1        | 125318124/0 | Full Grassc. Microswtich Cover      |        |
| 44   | 1        | 112400030/0 | Pin                                 |        |
| 45   | 1        | 325785272/0 | Micro Protection                    |        |
| 46   | 1        | 112728510/0 | Screw                               |        |
| 47   | 1        | 125600048/0 | Empty Micro Grassc.Protection Cover |        |
| 48   | 2        | 112735110/0 | Screw                               |        |



| Fig. | Quantity | Part No     | Description                         | Notes |
|------|----------|-------------|-------------------------------------|-------|
| 1    | 2        | 325785275/0 | Support                             |       |
| 2    | 4        | 112818690/0 | Screw                               |       |
| 3    | 4        | 112293201/0 | Nut                                 |       |
| 11   | 1        | 325755031/1 | Bracket                             |       |
| 12   | 1        | 112789000/0 | Screw                               |       |
| 13   | 1        | 325774315/1 | Bracket                             |       |
| 14   | 1        | 125510080/1 | Pin                                 |       |
| 15   | 1        | 112292102/0 | Nut                                 |       |
| 16   | 1        | 122450432/0 | Spring                              |       |
| 17   | 1        | 112154330/0 | Nut                                 |       |
| 21   | 1        | 382800110/0 | Front Frame                         |       |
| 22   | 1        | 182105974/0 | Grasscatcher                        |       |
| 23   | 1        | 382180120/0 | Screw                               |       |
| 31   | 1        | 382110273/1 | Black Grass-Catcher Cover           |       |
| 32   | 1        | 127394000/0 | Handle                              |       |
| 33   | 2        | 112789020/0 | Screw                               |       |
| 34   | 2        | 112523020/0 | Washer                              |       |
| 35   | 2        | 112154330/0 | Nut                                 |       |
| 41   | 1        | 125600041/0 | Grassc.Full Micro Protection        |       |
| 42   | 1        | 125600042/0 | Grasscatcher Micro Prot Cover       |       |
| 43   | 1        | 125318124/0 | Full Grassc. Microswtich Cover      |       |
| 44   | 1        | 112400030/0 | Pin                                 |       |
| 45   | 1        | 325785272/0 | Micro Protection                    |       |
| 46   | 1        | 112728510/0 | Screw                               |       |
| 47   | 1        | 125600048/0 | Empty Micro Grassc.Protection Cover |       |
| 48   | 2        | 112735110/0 | Screw                               |       |

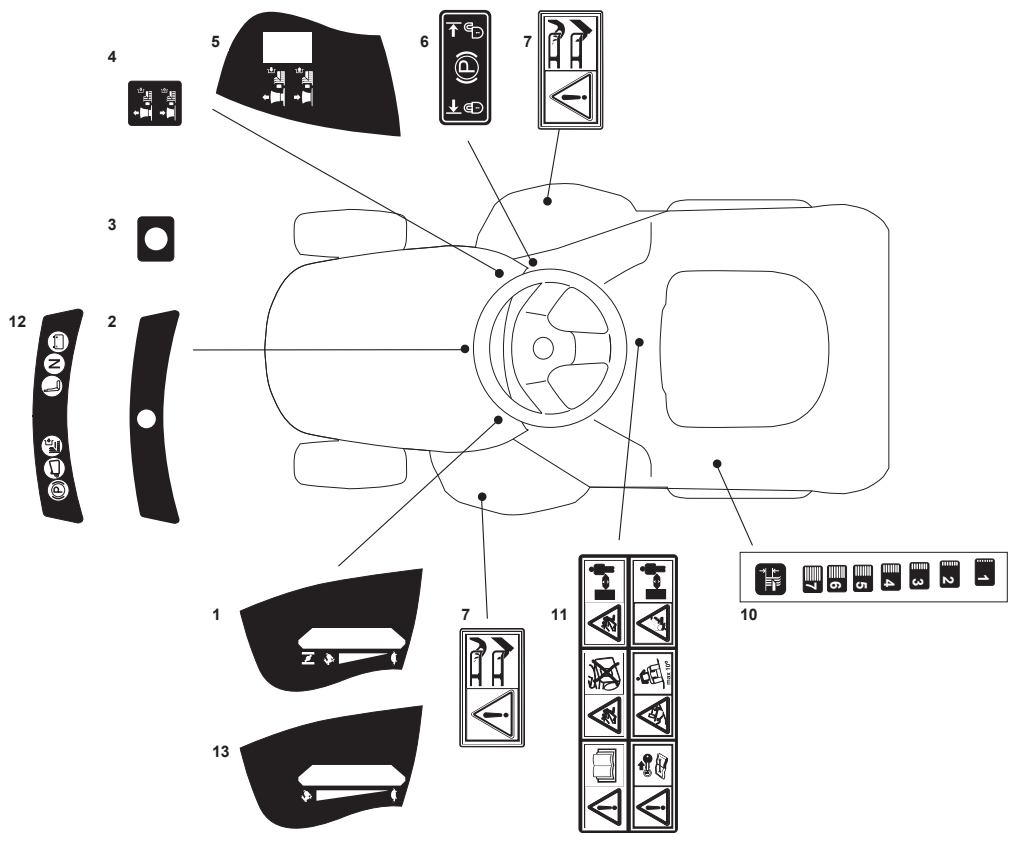


| Fig. | Quantity | Part No     | Description                    | Notes                       |
|------|----------|-------------|--------------------------------|-----------------------------|
| 1    | 1        | 182040201/0 | Cables Ass.Y                   | for GGP-B&S-Kawasaki Engine |
| 1    | 1        | 182040202/0 | Cables Ass.Y                   | for Honda Engine            |
| 1    | 1        | 182040192/0 | Cables Ass.Y                   | for LED version             |
| 2    | 1        | 118450072/0 | Starting Switch                |                             |
| 3    | 1        | 118550136/0 | Spacer                         |                             |
| 4    | 1        | 118550135/0 | Washer                         |                             |
| 5    | 1        | 118400862/0 | Ring Nut                       |                             |
| 6    | 1        | 118210022/0 | Starting Key                   |                             |
| 7    | 3        | 112727810/0 | Screw                          |                             |
| 8    | 2        | 133320506/0 | Fairlead                       |                             |
| 9    | 1        | 125722443/0 | Electronic Card (1 Led)        | 1 led                       |
| 9    | 1        | 125722442/0 | Electronic Card (6 Led)        | 6 led                       |
| 10   | 2        | 133215000/0 | Cover                          |                             |
| 11   | 1        | 133340036/0 | Fuse 25 A                      |                             |
| 11   | 1        | 133340040/0 | Fuse 10 A                      |                             |
| 12   | 2        | 133500007/0 | Fuse Carrier                   |                             |
| 13   | 3        | 119410615/0 | Microswitch                    |                             |
| 14   | 1        | 119410605/1 | Microswitch                    |                             |
| 24   | 1        | 182040192/0 | Cables Ass.Y                   | for LED version             |
| 24   | 1        | 182040070/0 | Cables Ass.Y                   | for NJR-NJTP-NJB models     |
| 25   | 2        | 133500030/0 | Lamp Holder                    |                             |
| 26   | 2        | 118459100/0 | Lamp For Lights                |                             |
| 27   | 1        | 118450068/0 | Switch                         |                             |
| 28   | 1        | 118450060/1 | Headlight Interrupt. Cre1116-0 |                             |
| 31   | 1        | 118120002/1 | Battery                        |                             |
| 33   | 1        | 118564861/1 | Protection                     |                             |
| 35   | 9        | 133320506/0 | Fairlead                       |                             |
| 36   | 1        | 327772099/1 | Clamp                          |                             |
| 37   | 1        | 382785191/0 | Battery Support                |                             |
| 38   | 3        | 112155000/0 | Nut                            |                             |

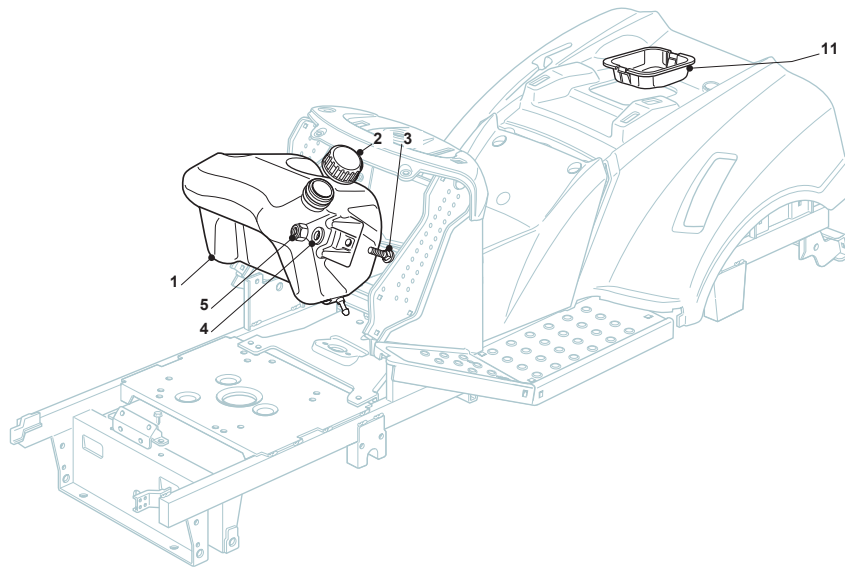




| Fig. | Quantity | Part No     | Description           | Notes    |
|------|----------|-------------|-----------------------|----------|
| 2    | 1        | 382869035/0 | Stone Guard Tube      |          |
| 3    | 2        | 125510022/0 | Pin                   |          |
| 4    | 2        | 124487998/0 | Cotter Pin            |          |
| 5    | 1        | 382180062/0 | Outfit, Screws        |          |
| 22   | 1        | 125519997/1 | Front Weight Tc       |          |
| 23   | 3        | 112760520/0 | Screw                 |          |
| 24   | 3        | 112155000/0 | Nut                   |          |
| 42   | 1        | 125510021/1 | Hitch Pin             |          |
| 43   | 1        | 124487999/0 | Spring Pin            |          |
| 51   | 1        | 182180050/0 | Battery Charger       | CE plugg |
| 51   | 1        | 182180052/0 | Battery Charger       | UK plugg |
| 72   | 1        | 325140093/0 | Deflector             |          |
| 73   | 1        | 325394007/0 | Handle                |          |
| 74   | 1        | 125510077/0 | Pin                   |          |
| 75   | 1        | 125430245/0 | Spring                |          |
| 76   | 1        | 112735410/0 | Screw                 |          |
| 77   | 1        | 325280000/1 | Handgrip              |          |
| 78   | 1        | 125840011/1 | Tie Rod               |          |
| 79   | 2        | 125253004/0 | Mulch.Kit Fixing Hook |          |



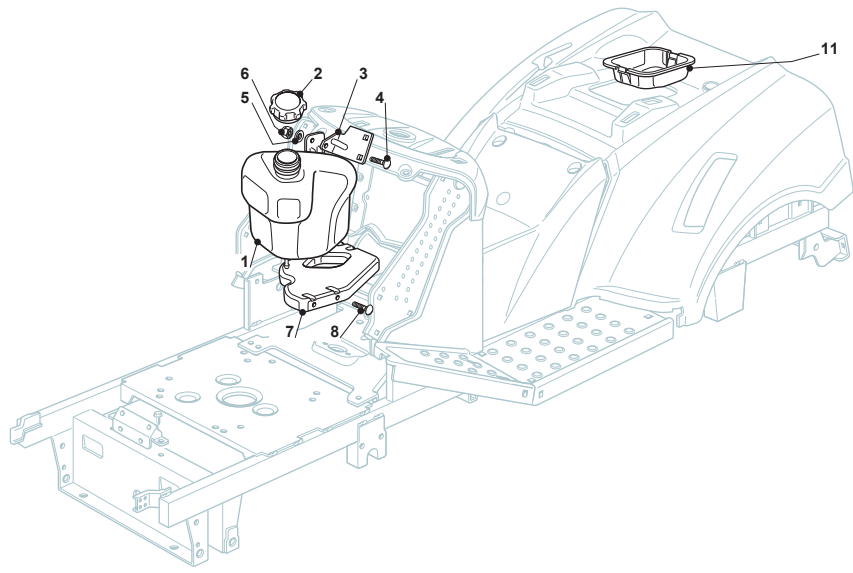
| Fig. | Quantity | Part No     | Description | Notes                 |
|------|----------|-------------|-------------|-----------------------|
| 2    | 1        | 125420024/0 | Label       | 1 led                 |
| 3    | 1        | 125420018/0 | Label       | for NJ-NJR-NJB models |
| 4    | 1        | 114361438/0 | Label       | for NJ-NJR-NJB models |
| 6    | 1        | 114361452/0 | Label       |                       |
| 7    | 2        | 114356699/1 | Label       |                       |
| 10   | 1        | 114361441/0 | Label       |                       |
| 11   | 1        | 114361553/1 | Label       |                       |
| 12   | 1        | 125420020/0 | Label       | 6 led                 |
| 13   | 1        | 114364616/0 | Label       | for Honda GXV390      |



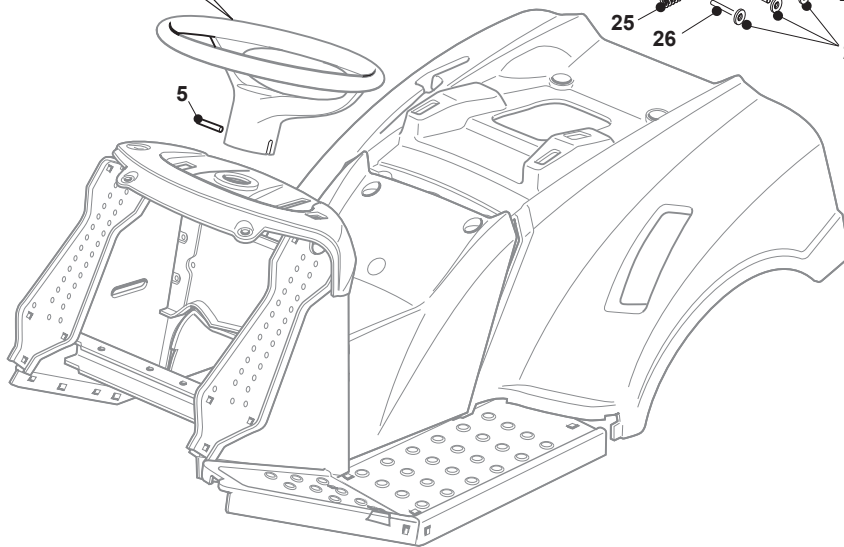
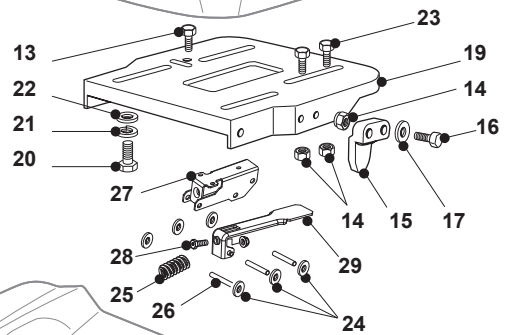
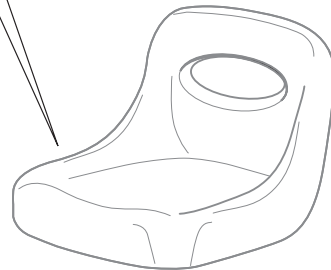
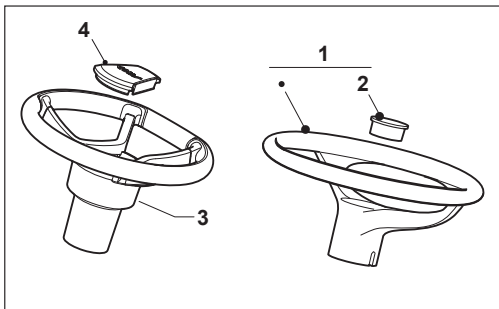
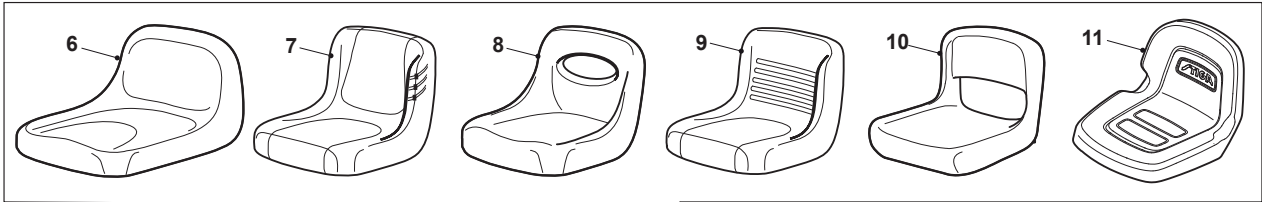
Ride-on 90 - 92 Tank - 5,5 Lt

Issue 10 - 2015

| Fig. | Quantity | Part No     | Description | Notes |
|------|----------|-------------|-------------|-------|
| 1    | 1        | 325735128/0 | Tank        |       |
| 2    | 1        | 125795000/1 | Fuel Cap    |       |
| 3    | 2        | 112815210/0 | Screw       |       |
| 4    | 2        | 325160039/0 | Spacer      |       |
| 5    | 2        | 112154510/0 | Nut         |       |
| 11   | 1        | 325207176/0 | Basin       |       |

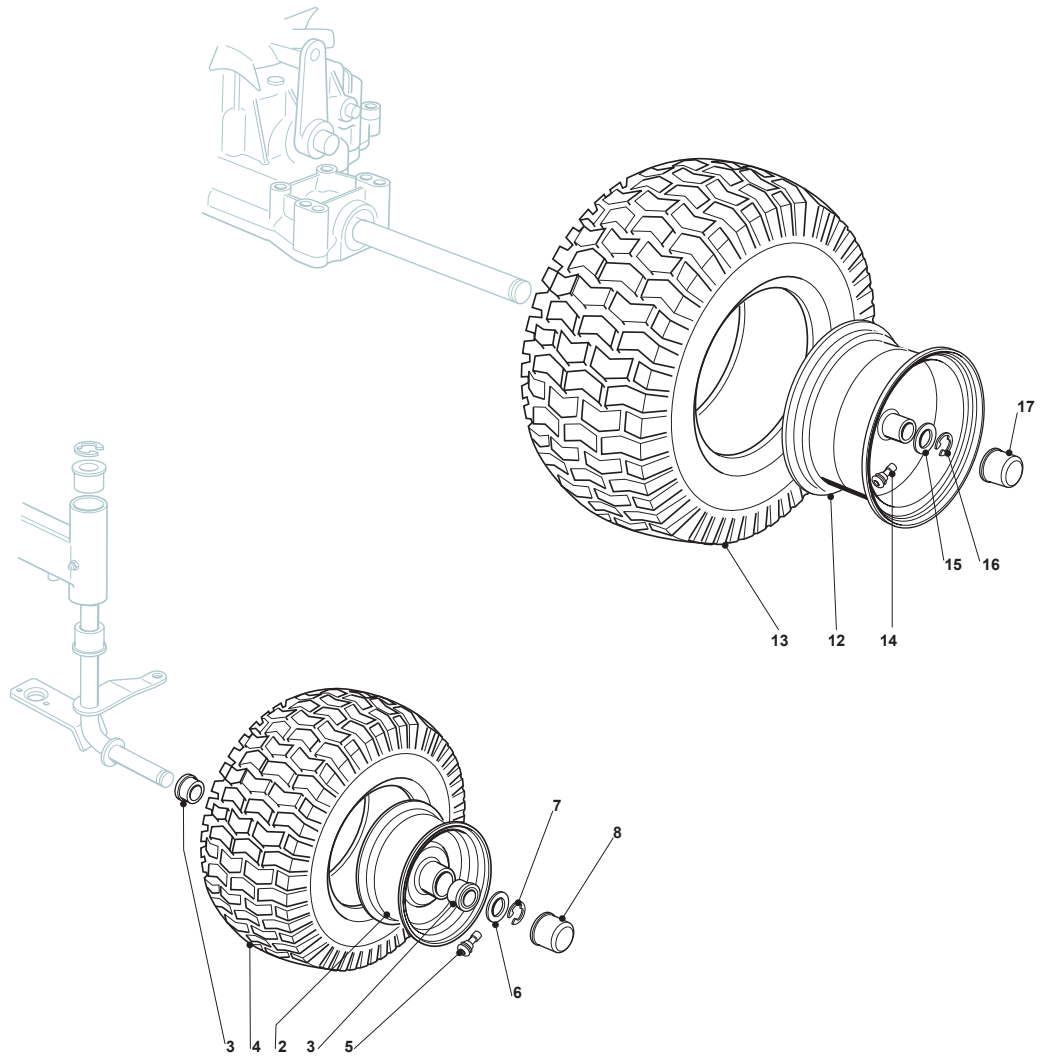


| Fig. | Quantity | Part No     | Description | Notes |
|------|----------|-------------|-------------|-------|
| 1    | 1        | 325735124/0 | Fuel Tank   |       |
| 2    | 1        | 125795001/1 | Cap         |       |
| 3    | 1        | 325785291/0 | Support     |       |
| 4    | 1        | 112789195/0 | Screw       |       |
| 5    | 1        | 112581500/0 | Grower      |       |
| 6    | 1        | 112437503/0 | Plate       |       |
| 7    | 1        | 325785289/0 | Support     |       |
| 8    | 4        | 112735403/0 | Screw       |       |
| 11   | 1        | 325207176/0 | Basin       |       |

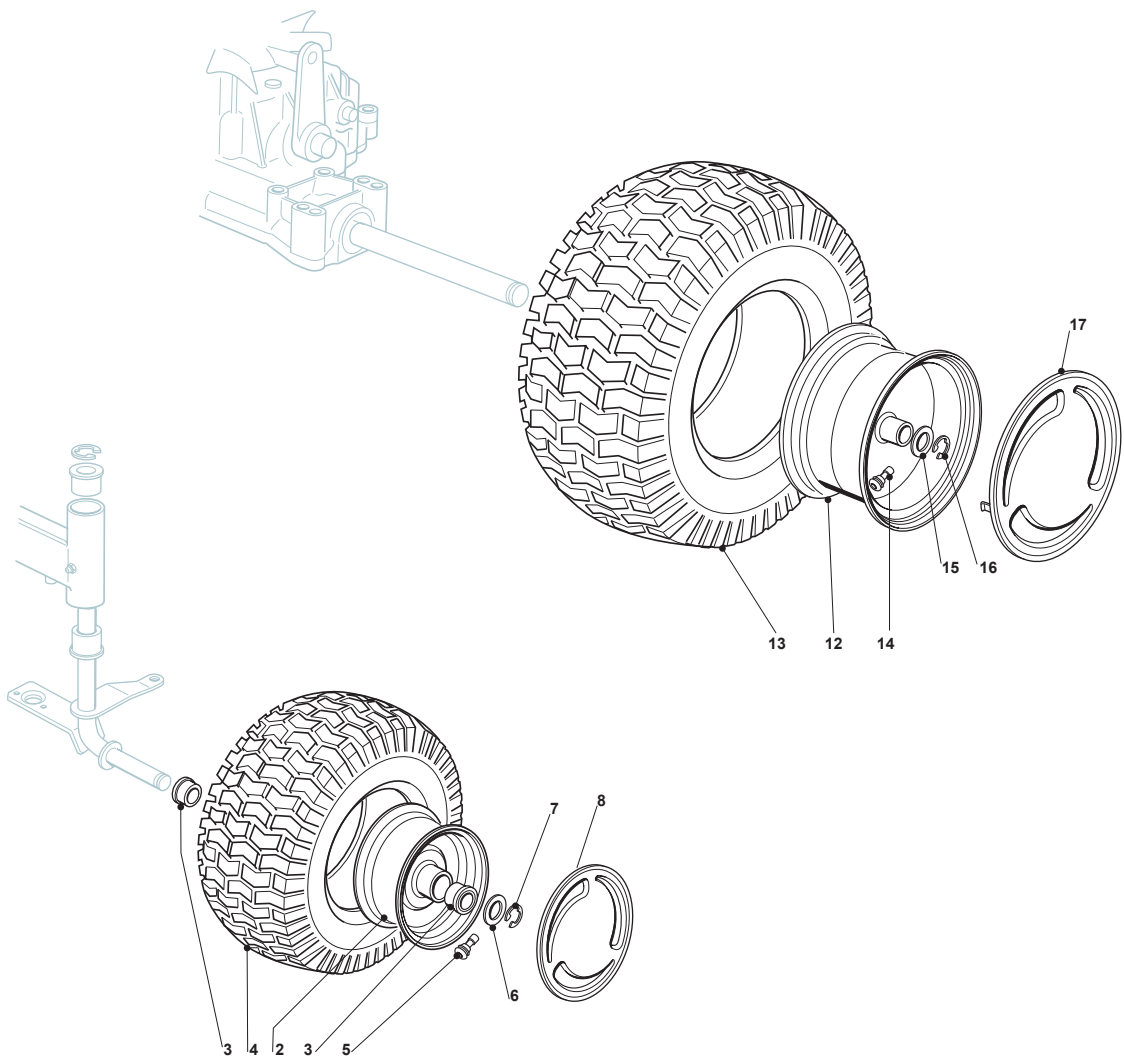




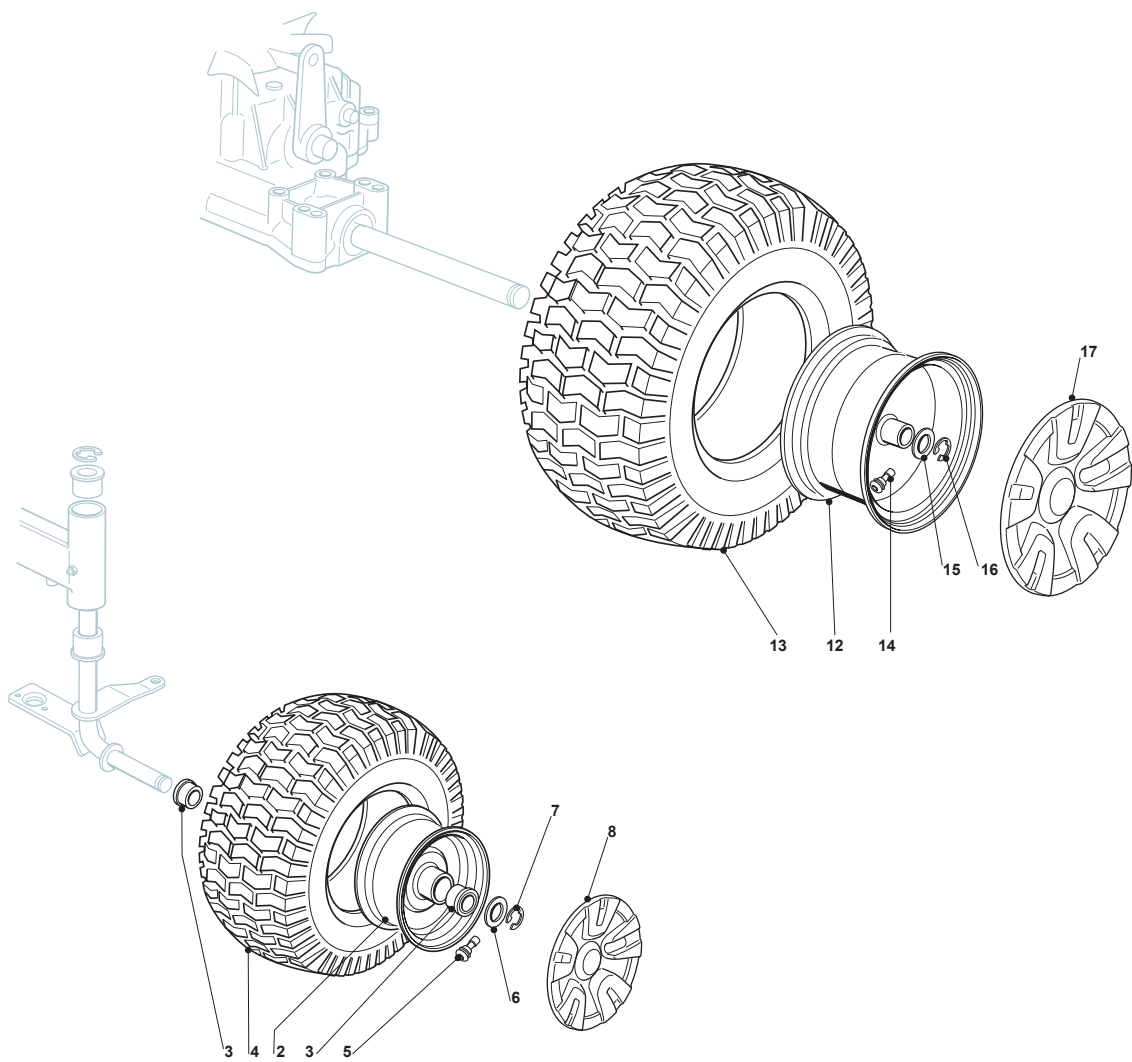
| Fig. | Quantity | Part No     | Description          | Notes                 |
|------|----------|-------------|----------------------|-----------------------|
| 1    | 1        | 125961212/0 | Steering Wheel       | Grey                  |
| 1    | 1        | 125961216/0 | Steering Wheel       | Black                 |
| 1    | 1        | 125961209/0 | Steering Wheel       |                       |
| 1    | 1        | 125961201/0 | Steering Wheel       |                       |
| 2    | 1        | 325580500/0 | Cap                  | Grey                  |
| 2    | 1        | 325580501/0 | Cap                  | Black                 |
| 3    | 1        | 325961222/1 | Steering wheel       |                       |
| 4    | 1        | 325580508/0 | Steering Plate Cover | only for STIGA models |
| 5    | 1        | 112620299/0 | Elastic Pin          |                       |
| 6    | 1        | 125722470/0 | Seat                 |                       |
| 7    | 1        | 125722463/0 | Seat                 |                       |
| 8    | 1        | 125722453/1 | Seat                 |                       |
| 9    | 1        | 125722471/0 | Seat                 |                       |
| 10   | 1        | 125722456/0 | Seat                 |                       |
| 11   | 1        | 125722478/1 | Seat                 |                       |
| 12   | 1        | 125430285/0 | Spring               |                       |
| 13   | 1        | 112789000/0 | Screw                |                       |
| 14   | 1        | 112154330/0 | Nut                  |                       |
| 15   | 1        | 327063021/1 | Cam                  |                       |
| 16   | 2        | 112789100/0 | Screw                |                       |
| 17   | 2        | 112523020/0 | Washer               |                       |
| 18   | 2        | 112154330/0 | Nut                  |                       |
| 19   | 1        | 325547033/2 | Seat Plate           |                       |
| 20   | 4        | 112793101/0 | Screw                |                       |
| 21   | 4        | 112583500/0 | Grower               |                       |
| 22   | 4        | 112523060/0 | Washer               |                       |
| 23   | 2        | 112789000/0 | Screw                |                       |
| 24   | 6        | 112604896/0 | Crown Fastener       |                       |
| 25   | 1        | 125430285/0 | Spring               |                       |
| 26   | 3        | 122517866/0 | Pin                  |                       |
| 27   | 1        | 325774575/0 | Fulcrum Clamp        |                       |
| 28   | 1        | 112735661/0 | Screw                |                       |
| 29   | 1        | 325318327/0 | Lever                |                       |



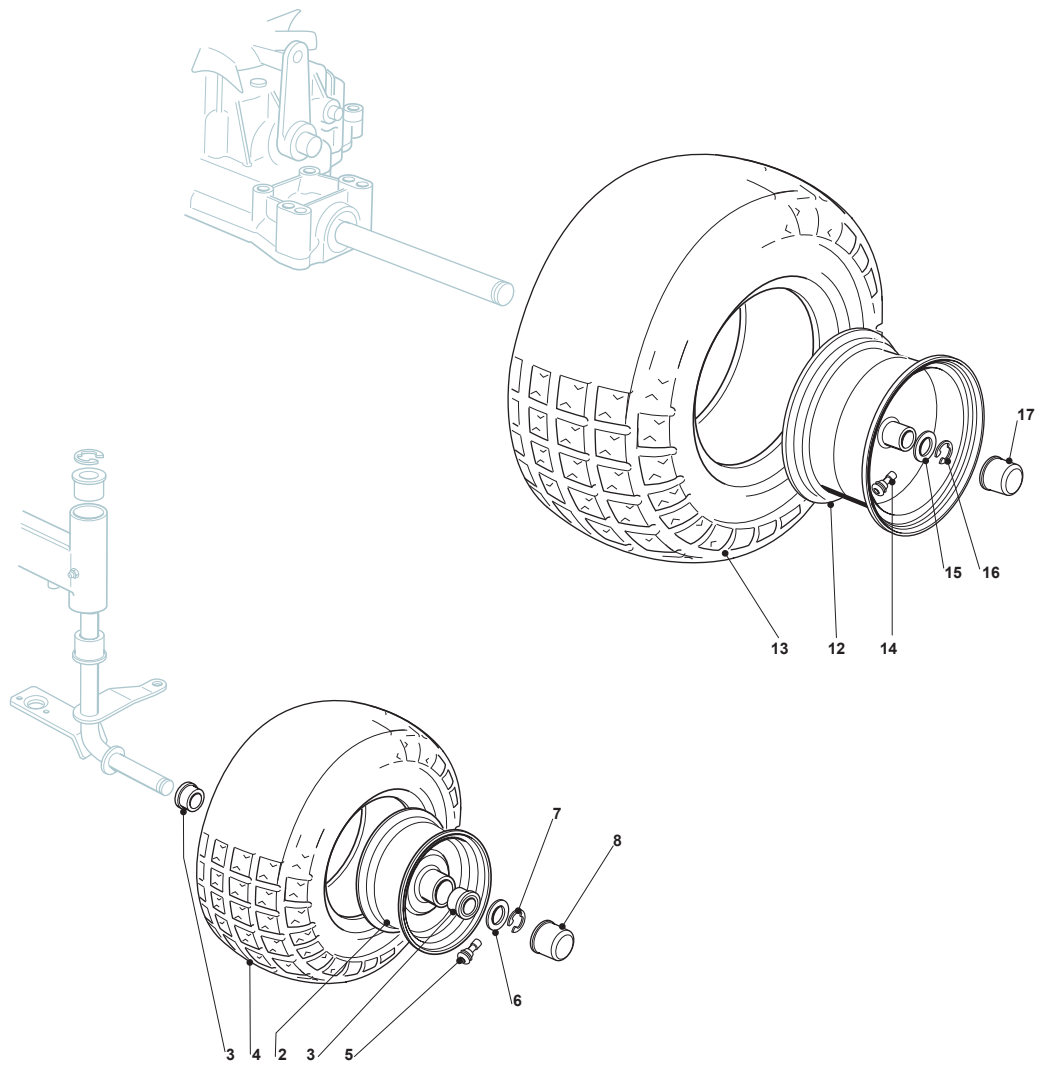
| Fig. | Quantity | Part No     | Description  | Notes                      |
|------|----------|-------------|--------------|----------------------------|
| 2    | 2        | 182000598/0 | Rimm         |                            |
| 3    | 4        | 125122200/2 | Bearing      |                            |
| 4    | 2        | 125590014/0 | Tyre         | 13 inch                    |
| 4    | 2        | 127590066/0 | Tyre         | 15 inch                    |
| 5    | 2        | 125950000/0 | Valve        |                            |
| 6    | 2        | 125670005/1 | Washer       |                            |
| 7    | 2        | 112001000/0 | Benzing Ring |                            |
| 8    | 2        | 122110230/0 | Hub Cover    | Standard black hub version |
| 12   | 2        | 182000599/0 | Rimm         |                            |
| 13   | 2        | 125590015/0 | Tyre         |                            |
| 14   | 2        | 125950000/0 | Valve        |                            |
| 15   | 2        | 125670005/1 | Washer       |                            |
| 16   | 2        | 112001010/0 | Benzing Ring |                            |
| 17   | 2        | 122110230/0 | Hub Cover    | Standard black hub version |



| Fig. | Quantity | Part No     | Description       | Notes                     |
|------|----------|-------------|-------------------|---------------------------|
| 2    | 2        | 182000598/0 | Rimm              |                           |
| 3    | 4        | 125122200/2 | Bearing           |                           |
| 4    | 2        | 125590014/0 | Tyre              | 13 inch                   |
| 4    | 2        | 127590066/0 | Tyre              | 15 inch                   |
| 5    | 2        | 125950000/0 | Valve             |                           |
| 6    | 2        | 125670005/1 | Washer            |                           |
| 7    | 2        | 112001000/0 | Benzing Ring      |                           |
| 8    | 2        | 382110252/0 | Front Wheel Cover |                           |
| 12   | 2        | 182000599/0 | Rimm              |                           |
| 13   | 2        | 125590015/0 | Tyre              |                           |
| 14   | 2        | 125950000/0 | Valve             |                           |
| 15   | 2        | 125670005/1 | Washer            |                           |
| 16   | 2        | 112001010/0 | Benzing Ring      |                           |
| 17   | 2        | 382110253/0 | Wheel Cover       | Standard grey hub version |



| Fig. | Quantity | Part No     | Description     | Notes                     |
|------|----------|-------------|-----------------|---------------------------|
| 2    | 2        | 182000598/0 | Rimm            |                           |
| 3    | 4        | 125122200/2 | Bearing         |                           |
| 4    | 2        | 125590014/0 | Tyre            | 13 inch                   |
| 4    | 2        | 127590066/0 | Tyre            | 15 inch                   |
| 5    | 2        | 125950000/0 | Valve           |                           |
| 6    | 2        | 125670005/1 | Washer          |                           |
| 7    | 2        | 112001000/0 | Benzing Ring    |                           |
| 8    | 2        | 382110274/0 | Wheel Cover     | Standard grey hub version |
| 12   | 2        | 182000599/0 | Rimm            |                           |
| 13   | 2        | 125590015/0 | Tyre            |                           |
| 14   | 2        | 125950000/0 | Valve           |                           |
| 15   | 2        | 125670005/1 | Washer          |                           |
| 16   | 2        | 112001010/0 | Benzing Ring    |                           |
| 17   | 2        | 382110275/0 | Rear Wheel Deck | Standard grey hub version |





| Fig. | Quantity | Part No     | Description     | Notes                      |
|------|----------|-------------|-----------------|----------------------------|
| 2    | 2        | 182000590/1 | Rimm            |                            |
| 3    | 4        | 125122200/2 | Bearing         |                            |
| 4    | 2        | 125590020/0 | Tyre            |                            |
| 5    | 2        | 125950000/0 | Valve           |                            |
| 6    | 2        | 125670005/1 | Washer          |                            |
| 7    | 2        | 112001000/0 | Benzing Ring    |                            |
| 8    | 2        | 122110230/0 | Hub Cover       | Standard black hub version |
| 8    | 2        | 122110239/0 | Hub Cover       | Stiga Style version        |
| 12   | 2        | 182000592/0 | Rear Wheel Rimm |                            |
| 13   | 2        | 125590022/0 | Tyre            |                            |
| 14   | 2        | 125950000/0 | Valve           |                            |
| 15   | 2        | 125670005/1 | Washer          |                            |
| 16   | 2        | 112001010/0 | Benzing Ring    |                            |
| 17   | 2        | 122110230/0 | Hub Cover       | Standard black hub version |
| 17   | 2        | 122110239/0 | Hub Cover       | Stiga Style version        |

| code         | pos. | q.ty | page  |             |    |   |       |             |    |   |       |  |
|--------------|------|------|-------|-------------|----|---|-------|-------------|----|---|-------|--|
| 1134-5827-01 | 11   | 1    | p. 21 | 112155000/0 | 45 | 1 | p. 37 | 112293201/0 | 7  | 4 | p. 3  |  |
| 1134-5827-01 | 11   | 1    | p. 23 | 112155000/0 | 45 | 1 | p. 41 | 112293201/0 | 7  | 4 | p. 7  |  |
| 112000940/0  | 40   | 2    | p. 19 | 112155000/0 | 52 | 2 | p. 37 | 112293201/0 | 16 | 2 | p. 45 |  |
| 112000956/0  | 61   | 2    | p. 13 | 112155000/0 | 52 | 2 | p. 41 | 112293201/0 | 22 | 1 | p. 37 |  |
| 112000970/0  | 8    | 1    | p. 49 | 112155000/0 | 58 | 1 | p. 41 | 112293201/0 | 22 | 1 | p. 41 |  |
| 112001000/0  | 7    | 2    | p. 71 | 112155000/0 | 59 | 1 | p. 37 | 112293201/0 | 22 | 2 | p. 3  |  |
| 112001000/0  | 7    | 2    | p. 73 | 112155000/0 | 61 | 1 | p. 41 | 112293201/0 | 22 | 2 | p. 7  |  |
| 112001000/0  | 7    | 2    | p. 75 | 112155000/0 | 64 | 1 | p. 37 | 112293201/0 | 24 | 2 | p. 17 |  |
| 112001000/0  | 7    | 2    | p. 77 | 112155000/0 | 66 | 1 | p. 37 | 112293201/0 | 24 | 2 | p. 19 |  |
| 112001000/0  | 51   | 2    | p. 13 | 112155010/0 | 31 | 2 | p. 13 | 112293201/0 | 36 | 8 | p. 3  |  |
| 112001000/0  | 51   | 2    | p. 15 | 112155010/0 | 31 | 2 | p. 15 | 112293201/0 | 36 | 8 | p. 7  |  |
| 112001010/0  | 16   | 2    | p. 71 | 112155010/0 | 41 | 2 | p. 7  | 112293201/0 | 39 | 4 | p. 3  |  |
| 112001010/0  | 16   | 2    | p. 73 | 112155010/0 | 41 | 3 | p. 3  | 112293201/0 | 39 | 4 | p. 7  |  |
| 112001010/0  | 16   | 2    | p. 75 | 112155010/0 | 54 | 1 | p. 17 | 112293201/0 | 43 | 1 | p. 51 |  |
| 112001010/0  | 16   | 2    | p. 77 | 112155010/0 | 54 | 1 | p. 19 | 112293201/0 | 54 | 6 | p. 3  |  |
| 112139100/0  | 51   | 2    | p. 51 | 112155020/0 | 20 | 1 | p. 13 | 112293201/0 | 54 | 6 | p. 7  |  |
| 112139480/0  | 14   | 2    | p. 51 | 112155020/0 | 20 | 1 | p. 15 | 112293201/0 | 57 | 2 | p. 3  |  |
| 112154210/0  | 5    | 1    | p. 29 | 112156602/0 | 30 | 1 | p. 45 | 112293201/0 | 57 | 2 | p. 7  |  |
| 112154210/0  | 8    | 4    | p. 27 | 112156602/0 | 37 | 1 | p. 45 | 112293201/0 | 59 | 2 | p. 3  |  |
| 112154210/0  | 9    | 1    | p. 21 | 112156602/0 | 39 | 1 | p. 45 | 112293201/0 | 59 | 2 | p. 7  |  |
| 112154210/0  | 9    | 1    | p. 23 | 112156602/0 | 49 | 1 | p. 45 | 112293201/0 | 61 | 1 | p. 37 |  |
| 112154210/0  | 10   | 2    | p. 25 | 112156602/0 | 51 | 1 | p. 45 | 112293201/0 | 63 | 1 | p. 37 |  |
| 112154210/0  | 16   | 6    | p. 51 | 112156602/0 | 57 | 1 | p. 47 | 112293201/0 | 73 | 1 | p. 39 |  |
| 112154210/0  | 24   | 1    | p. 45 | 112156602/0 | 59 | 1 | p. 47 | 112293201/0 | 84 | 4 | p. 5  |  |
| 112154210/0  | 24   | 3    | p. 21 | 112156602/0 | 59 | 2 | p. 15 | 112293201/0 | 84 | 4 | p. 9  |  |
| 112154210/0  | 24   | 3    | p. 23 | 112156602/0 | 60 | 2 | p. 13 | 112295200/0 | 36 | 1 | p. 45 |  |
| 112154210/0  | 55   | 4    | p. 37 | 112156602/0 | 64 | 2 | p. 53 | 112295200/0 | 48 | 1 | p. 45 |  |
| 112154210/0  | 55   | 4    | p. 41 | 112280100/0 | 12 | 2 | p. 33 | 112295200/0 | 56 | 1 | p. 47 |  |
| 112154210/0  | 64   | 1    | p. 41 | 112280100/0 | 12 | 2 | p. 35 | 112295200/0 | 59 | 2 | p. 13 |  |
| 112154330/0  | 14   | 1    | p. 69 | 112290791/0 | 45 | 2 | p. 17 | 112295201/0 | 60 | 2 | p. 15 |  |
| 112154330/0  | 17   | 1    | p. 55 | 112290791/0 | 45 | 2 | p. 19 | 112295300/0 | 48 | 1 | p. 13 |  |
| 112154330/0  | 17   | 1    | p. 57 | 112290800/0 | 28 | 1 | p. 33 | 112295300/0 | 48 | 1 | p. 15 |  |
| 112154330/0  | 18   | 2    | p. 69 | 112290800/0 | 28 | 1 | p. 35 | 112360352/0 | 44 | 2 | p. 21 |  |
| 112154330/0  | 35   | 2    | p. 57 | 112290800/0 | 66 | 1 | p. 21 | 112360352/0 | 44 | 2 | p. 23 |  |
| 112154330/0  | 45   | 2    | p. 3  | 112290800/0 | 66 | 1 | p. 23 | 112360352/0 | 44 | 2 | p. 29 |  |
| 112154330/0  | 45   | 2    | p. 7  | 112290800/0 | 66 | 1 | p. 25 | 112360352/0 | 44 | 2 | p. 31 |  |
| 112154510/0  | 5    | 1    | p. 45 | 112290800/0 | 66 | 1 | p. 27 | 112360425/0 | 8  | 3 | p. 33 |  |
| 112154510/0  | 5    | 2    | p. 65 | 112290800/0 | 66 | 1 | p. 29 | 112360425/0 | 8  | 3 | p. 35 |  |
| 112154510/0  | 23   | 2    | p. 49 | 112290800/0 | 66 | 1 | p. 31 | 112360425/0 | 17 | 2 | p. 21 |  |
| 112154510/0  | 28   | 2    | p. 13 | 112292102/0 | 12 | 2 | p. 17 | 112360425/0 | 17 | 2 | p. 23 |  |
| 112154510/0  | 28   | 2    | p. 15 | 112292102/0 | 12 | 2 | p. 19 | 112360425/0 | 17 | 2 | p. 31 |  |
| 112154510/0  | 35   | 4    | p. 11 | 112292102/0 | 13 | 4 | p. 3  | 112360425/0 | 18 | 2 | p. 25 |  |
| 112154510/0  | 37   | 4    | p. 17 | 112292102/0 | 13 | 4 | p. 7  | 112360425/0 | 34 | 2 | p. 27 |  |
| 112154510/0  | 37   | 4    | p. 19 | 112292102/0 | 15 | 1 | p. 55 | 112360425/0 | 34 | 2 | p. 29 |  |
| 112154510/0  | 40   | 2    | p. 17 | 112292102/0 | 15 | 1 | p. 57 | 112360425/0 | 50 | 2 | p. 3  |  |
| 112154510/0  | 56   | 2    | p. 13 | 112292102/0 | 16 | 2 | p. 3  | 112360425/0 | 50 | 2 | p. 7  |  |
| 112154510/0  | 56   | 2    | p. 15 | 112292102/0 | 16 | 2 | p. 7  | 112379511/0 | 12 | 1 | p. 13 |  |
| 112155000/0  | 7    | 1    | p. 17 | 112292102/0 | 19 | 2 | p. 3  | 112379511/0 | 12 | 1 | p. 15 |  |
| 112155000/0  | 7    | 1    | p. 19 | 112292102/0 | 19 | 2 | p. 7  | 112379511/0 | 43 | 2 | p. 13 |  |
| 112155000/0  | 8    | 2    | p. 45 | 112292102/0 | 19 | 2 | p. 45 | 112379511/0 | 43 | 2 | p. 15 |  |
| 112155000/0  | 9    | 1    | p. 17 | 112292102/0 | 27 | 2 | p. 45 | 112400030/0 | 44 | 1 | p. 55 |  |
| 112155000/0  | 9    | 1    | p. 19 | 112292102/0 | 33 | 8 | p. 3  | 112400030/0 | 44 | 1 | p. 57 |  |
| 112155000/0  | 11   | 1    | p. 25 | 112292102/0 | 33 | 8 | p. 7  | 112436030/0 | 7  | 1 | p. 13 |  |
| 112155000/0  | 12   | 1    | p. 45 | 112292102/0 | 42 | 2 | p. 21 | 112436030/0 | 7  | 1 | p. 15 |  |
| 112155000/0  | 13   | 1    | p. 41 | 112292102/0 | 42 | 2 | p. 23 | 112436050/0 | 22 | 2 | p. 11 |  |
| 112155000/0  | 13   | 5    | p. 37 | 112292102/0 | 42 | 2 | p. 29 | 112437503/0 | 6  | 1 | p. 67 |  |
| 112155000/0  | 15   | 1    | p. 17 | 112292102/0 | 42 | 2 | p. 31 | 112500030/0 | 10 | 2 | p. 49 |  |
| 112155000/0  | 15   | 1    | p. 19 | 112292102/0 | 43 | 2 | p. 25 | 112521330/0 | 27 | 2 | p. 13 |  |
| 112155000/0  | 16   | 1    | p. 37 | 112292102/0 | 43 | 2 | p. 27 | 112521330/0 | 27 | 2 | p. 15 |  |
| 112155000/0  | 16   | 1    | p. 41 | 112292102/0 | 55 | 4 | p. 17 | 112521330/0 | 34 | 4 | p. 11 |  |
| 112155000/0  | 24   | 3    | p. 61 | 112292102/0 | 55 | 4 | p. 19 | 112521330/0 | 55 | 2 | p. 13 |  |
| 112155000/0  | 26   | 1    | p. 51 | 112292102/0 | 95 | 4 | p. 5  | 112521330/0 | 55 | 2 | p. 15 |  |
| 112155000/0  | 35   | 1    | p. 51 | 112292102/0 | 95 | 4 | p. 9  | 112521350/0 | 6  | 1 | p. 17 |  |
| 112155000/0  | 38   | 3    | p. 59 | 112293200/0 | 20 | 2 | p. 37 | 112521350/0 | 6  | 1 | p. 19 |  |
|              |      |      |       | 112293200/0 | 20 | 2 | p. 41 | 112521350/0 | 6  | 1 | p. 17 |  |
|              |      |      |       | 112293201/0 | 3  | 4 | p. 55 | 112521350/0 | 8  | 1 | p. 17 |  |
|              |      |      |       | 112293201/0 | 3  | 4 | p. 57 | 112521350/0 | 8  | 1 | p. 19 |  |

| code        | pos. | q.ty | page  |             |    |   |       |             |    |   |       |  |
|-------------|------|------|-------|-------------|----|---|-------|-------------|----|---|-------|--|
| 112521350/0 | 19   | 1    | p. 33 | 112583500/0 | 5  | 2 | p. 31 | 112729601/1 | 9  | 2 | p. 13 |  |
| 112521350/0 | 19   | 1    | p. 35 | 112583500/0 | 8  | 2 | p. 25 | 112729601/1 | 9  | 2 | p. 15 |  |
| 112521350/0 | 58   | 2    | p. 37 | 112583500/0 | 13 | 2 | p. 29 | 112731350/0 | 43 | 4 | p. 45 |  |
| 112521360/0 | 40   | 2    | p. 45 | 112583500/0 | 15 | 2 | p. 33 | 112731580/0 | 19 | 4 | p. 45 |  |
| 112521370/0 | 6    | 1    | p. 13 | 112583500/0 | 15 | 2 | p. 35 | 112731580/0 | 25 | 4 | p. 11 |  |
| 112521370/0 | 6    | 1    | p. 15 | 112583500/0 | 19 | 2 | p. 51 | 112734995/0 | 28 | 4 | p. 11 |  |
| 112521410/0 | 70   | 4    | p. 39 | 112583500/0 | 20 | 2 | p. 21 | 112735108/1 | 4  | 3 | p. 29 |  |
| 112523020/0 | 17   | 2    | p. 69 | 112583500/0 | 20 | 2 | p. 23 | 112735108/1 | 7  | 4 | p. 31 |  |
| 112523020/0 | 34   | 2    | p. 57 | 112583500/0 | 20 | 2 | p. 31 | 112735110/0 | 9  | 4 | p. 3  |  |
| 112523040/0 | 23   | 1    | p. 45 | 112583500/0 | 21 | 2 | p. 25 | 112735110/0 | 9  | 4 | p. 7  |  |
| 112523040/0 | 39   | 2    | p. 17 | 112583500/0 | 21 | 4 | p. 69 | 112735110/0 | 11 | 2 | p. 3  |  |
| 112523040/0 | 39   | 2    | p. 19 | 112583500/0 | 37 | 2 | p. 27 | 112735110/0 | 11 | 2 | p. 7  |  |
| 112523050/0 | 63   | 4    | p. 17 | 112583500/0 | 37 | 2 | p. 29 | 112735110/0 | 46 | 2 | p. 17 |  |
| 112523050/0 | 63   | 4    | p. 19 | 112587100/0 | 47 | 1 | p. 13 | 112735110/0 | 46 | 2 | p. 19 |  |
| 112523060/0 | 9    | 1    | p. 37 | 112587100/0 | 47 | 1 | p. 15 | 112735110/0 | 48 | 2 | p. 55 |  |
| 112523060/0 | 9    | 1    | p. 41 | 112604896/0 | 24 | 6 | p. 69 | 112735110/0 | 48 | 2 | p. 57 |  |
| 112523060/0 | 10   | 2    | p. 45 | 112604896/0 | 68 | 1 | p. 37 | 112735110/0 | 61 | 1 | p. 3  |  |
| 112523060/0 | 12   | 1    | p. 37 | 112609200/0 | 39 | 1 | p. 51 | 112735110/0 | 61 | 1 | p. 7  |  |
| 112523060/0 | 12   | 1    | p. 41 | 112609260/0 | 7  | 1 | p. 51 | 112735110/0 | 99 | 2 | p. 11 |  |
| 112523060/0 | 15   | 1    | p. 37 | 112609260/0 | 13 | 1 | p. 51 | 112735120/0 | 3  | 6 | p. 49 |  |
| 112523060/0 | 15   | 1    | p. 41 | 112610800/0 | 38 | 1 | p. 51 | 112735402/0 | 38 | 2 | p. 11 |  |
| 112523060/0 | 22   | 4    | p. 69 | 112620299/0 | 5  | 1 | p. 69 | 112735402/0 | 41 | 2 | p. 11 |  |
| 112523060/0 | 25   | 1    | p. 51 | 112622650/0 | 4  | 1 | p. 13 | 112735402/0 | 62 | 2 | p. 17 |  |
| 112523060/0 | 44   | 1    | p. 37 | 112622650/0 | 4  | 1 | p. 15 | 112735402/0 | 62 | 2 | p. 19 |  |
| 112523060/0 | 44   | 1    | p. 41 | 112674700/0 | 4  | 1 | p. 45 | 112735402/0 | 95 | 4 | p. 11 |  |
| 112523060/0 | 60   | 2    | p. 41 | 112691100/0 | 9  | 2 | p. 25 | 112735402/0 | 96 | 2 | p. 11 |  |
| 112523070/0 | 30   | 2    | p. 13 | 112691100/0 | 25 | 3 | p. 21 | 112735403/0 | 8  | 4 | p. 67 |  |
| 112523070/0 | 30   | 2    | p. 15 | 112691100/0 | 25 | 3 | p. 23 | 112735404/0 | 21 | 2 | p. 17 |  |
| 112523070/0 | 33   | 2    | p. 51 | 112691115/0 | 6  | 1 | p. 29 | 112735404/0 | 21 | 2 | p. 19 |  |
| 112523070/0 | 47   | 2    | p. 3  | 112691115/0 | 7  | 1 | p. 21 | 112735410/0 | 76 | 1 | p. 61 |  |
| 112523070/0 | 47   | 2    | p. 7  | 112691115/0 | 7  | 1 | p. 23 | 112735530/0 | 6  | 2 | p. 21 |  |
| 112523080/0 | 19   | 1    | p. 13 | 112691115/0 | 7  | 4 | p. 27 | 112735530/0 | 6  | 2 | p. 23 |  |
| 112523080/0 | 19   | 1    | p. 15 | 112691115/0 | 8  | 1 | p. 37 | 112735530/0 | 12 | 2 | p. 29 |  |
| 112523080/0 | 22   | 1    | p. 13 | 112691115/0 | 8  | 1 | p. 41 | 112735599/0 | 5  | 1 | p. 27 |  |
| 112523080/0 | 22   | 1    | p. 15 | 112691115/0 | 24 | 1 | p. 51 | 112735599/0 | 8  | 1 | p. 31 |  |
| 112523080/0 | 58   | 2    | p. 51 | 112691115/0 | 49 | 1 | p. 37 | 112735602/0 | 43 | 2 | p. 17 |  |
| 112523100/0 | 46   | 2    | p. 13 | 112691115/0 | 49 | 1 | p. 41 | 112735602/0 | 43 | 2 | p. 19 |  |
| 112523100/0 | 46   | 2    | p. 15 | 112691200/0 | 57 | 1 | p. 37 | 112735661/0 | 28 | 1 | p. 69 |  |
| 112540070/0 | 16   | 4    | p. 33 | 112691400/0 | 48 | 1 | p. 37 | 112735694/0 | 60 | 1 | p. 53 |  |
| 112540070/0 | 16   | 4    | p. 35 | 112691400/0 | 48 | 1 | p. 41 | 112735695/1 | 59 | 1 | p. 53 |  |
| 112540260/0 | 6    | 1    | p. 27 | 112691600/0 | 11 | 1 | p. 45 | 112735802/0 | 7  | 2 | p. 25 |  |
| 112540260/0 | 7    | 1    | p. 29 | 112691600/0 | 54 | 4 | p. 41 | 112735821/0 | 17 | 4 | p. 33 |  |
| 112540260/0 | 8    | 1    | p. 21 | 112691700/0 | 32 | 1 | p. 51 | 112735821/0 | 17 | 4 | p. 35 |  |
| 112540260/0 | 8    | 1    | p. 23 | 112691700/0 | 57 | 1 | p. 41 | 112737320/0 | 2  | 1 | p. 37 |  |
| 112540260/0 | 10   | 2    | p. 33 | 112691800/0 | 42 | 1 | p. 37 | 112737320/0 | 2  | 1 | p. 41 |  |
| 112540260/0 | 10   | 2    | p. 35 | 112691800/0 | 42 | 1 | p. 41 | 112737450/0 | 6  | 2 | p. 31 |  |
| 112540260/0 | 15   | 2    | p. 21 | 112691800/0 | 54 | 4 | p. 37 | 112760515/0 | 48 | 2 | p. 3  |  |
| 112540260/0 | 15   | 2    | p. 23 | 112692695/0 | 45 | 1 | p. 13 | 112760515/0 | 48 | 2 | p. 7  |  |
| 112540260/0 | 15   | 2    | p. 31 | 112692695/0 | 45 | 1 | p. 15 | 112760520/0 | 23 | 3 | p. 61 |  |
| 112540260/0 | 16   | 2    | p. 25 | 112726388/0 | 27 | 1 | p. 33 | 112788512/0 | 62 | 2 | p. 25 |  |
| 112540260/0 | 21   | 3    | p. 33 | 112726388/0 | 27 | 1 | p. 35 | 112789000/0 | 12 | 1 | p. 55 |  |
| 112540260/0 | 21   | 3    | p. 35 | 112726388/0 | 65 | 1 | p. 21 | 112789000/0 | 12 | 1 | p. 57 |  |
| 112540260/0 | 23   | 1    | p. 33 | 112726388/0 | 65 | 1 | p. 23 | 112789000/0 | 13 | 1 | p. 69 |  |
| 112540260/0 | 23   | 1    | p. 35 | 112726388/0 | 65 | 1 | p. 25 | 112789000/0 | 23 | 2 | p. 69 |  |
| 112540260/0 | 33   | 2    | p. 27 | 112726388/0 | 65 | 1 | p. 27 | 112789000/0 | 44 | 2 | p. 3  |  |
| 112540260/0 | 33   | 2    | p. 29 | 112726388/0 | 65 | 1 | p. 29 | 112789000/0 | 44 | 2 | p. 7  |  |
| 112543000/0 | 3    | 1    | p. 37 | 112726388/0 | 65 | 1 | p. 31 | 112789020/0 | 33 | 2 | p. 57 |  |
| 112543000/0 | 3    | 1    | p. 41 | 112727356/0 | 10 | 2 | p. 11 | 112789100/0 | 16 | 2 | p. 69 |  |
| 112581100/0 | 44   | 2    | p. 17 | 112727810/0 | 7  | 3 | p. 59 | 112789195/0 | 4  | 1 | p. 67 |  |
| 112581100/0 | 44   | 2    | p. 19 | 112728440/0 | 37 | 2 | p. 11 | 112791213/1 | 26 | 2 | p. 13 |  |
| 112581500/0 | 5    | 1    | p. 67 | 112728510/0 | 46 | 1 | p. 55 | 112791213/1 | 26 | 2 | p. 15 |  |
| 112583500/0 | 5    | 2    | p. 21 | 112728510/0 | 46 | 1 | p. 57 | 112791213/1 | 41 | 2 | p. 21 |  |
| 112583500/0 | 5    | 2    | p. 23 | 112728535/0 | 4  | 4 | p. 49 | 112791213/1 | 41 | 2 | p. 23 |  |
| 112583500/0 | 5    | 2    | p. 25 | 112728686/0 | 98 | 4 | p. 11 | 112791213/1 | 41 | 2 | p. 29 |  |
|             |      |      |       | 112729601/1 | 4  | 4 | p. 17 | 112791213/1 | 41 | 2 | p. 31 |  |
|             |      |      |       | 112729601/1 | 4  | 4 | p. 19 | 112791213/1 | 54 | 2 | p. 13 |  |

| code        | pos. | q.ty | page  |             |    |   |       |             |    |   |       |  |
|-------------|------|------|-------|-------------|----|---|-------|-------------|----|---|-------|--|
| 112791213/1 | 54   | 2    | p. 15 | 112818690/0 | 2  | 4 | p. 55 | 118738224/0 | 4  | 1 | p. 21 |  |
| 112791213/1 | 63   | 1    | p. 41 | 112818690/0 | 2  | 4 | p. 57 | 118738227/0 | 11 | 1 | p. 29 |  |
| 112791400/0 | 22   | 2    | p. 49 | 112818690/0 | 6  | 4 | p. 3  | 118738231/1 | 4  | 1 | p. 31 |  |
| 112792410/0 | 26   | 1    | p. 45 | 112818690/0 | 6  | 4 | p. 7  | 118738256/0 | 6  | 1 | p. 33 |  |
| 112792611/0 | 14   | 2    | p. 33 | 112818690/0 | 7  | 2 | p. 45 | 118738256/0 | 6  | 1 | p. 35 |  |
| 112792611/0 | 14   | 2    | p. 35 | 112818690/0 | 15 | 2 | p. 45 | 118738257/0 | 7  | 1 | p. 33 |  |
| 112792611/0 | 15   | 2    | p. 25 | 112818690/0 | 21 | 1 | p. 37 | 118738257/0 | 7  | 1 | p. 35 |  |
| 112792611/0 | 18   | 1    | p. 33 | 112818690/0 | 21 | 1 | p. 41 | 118802723/0 | 24 | 1 | p. 41 |  |
| 112792611/0 | 18   | 1    | p. 35 | 112818690/0 | 35 | 8 | p. 3  | 119216047/0 | 5  | 2 | p. 51 |  |
| 112792611/0 | 19   | 2    | p. 21 | 112818690/0 | 35 | 8 | p. 7  | 119216047/0 | 11 | 2 | p. 51 |  |
| 112792611/0 | 19   | 2    | p. 23 | 112818700/0 | 15 | 6 | p. 51 | 119216048/0 | 37 | 1 | p. 51 |  |
| 112792611/0 | 19   | 2    | p. 31 | 114356699/1 | 7  | 2 | p. 63 | 119410605/1 | 14 | 1 | p. 59 |  |
| 112792611/0 | 36   | 2    | p. 27 | 114361438/0 | 4  | 1 | p. 63 | 119410609/0 | 42 | 1 | p. 17 |  |
| 112792611/0 | 36   | 2    | p. 29 | 114361441/0 | 10 | 1 | p. 63 | 119410609/0 | 42 | 1 | p. 19 |  |
| 112792611/0 | 38   | 4    | p. 3  | 114361451/0 | 74 | 1 | p. 39 | 119410613/0 | 52 | 1 | p. 17 |  |
| 112792611/0 | 38   | 4    | p. 7  | 114361451/0 | 74 | 1 | p. 41 | 119410613/0 | 52 | 1 | p. 19 |  |
| 112792611/0 | 42   | 1    | p. 51 | 114361452/0 | 6  | 1 | p. 63 | 119410614/0 | 25 | 1 | p. 17 |  |
| 112792611/0 | 53   | 6    | p. 3  | 114361553/1 | 11 | 1 | p. 63 | 119410614/0 | 25 | 1 | p. 19 |  |
| 112792611/0 | 53   | 6    | p. 7  | 114364616/0 | 13 | 1 | p. 63 | 119410615/0 | 13 | 3 | p. 59 |  |
| 112792611/0 | 56   | 2    | p. 3  | 118120002/1 | 31 | 1 | p. 59 | 122041980/0 | 9  | 2 | p. 45 |  |
| 112792611/0 | 56   | 2    | p. 7  | 118210022/0 | 6  | 1 | p. 59 | 122041980/0 | 51 | 1 | p. 17 |  |
| 112792611/0 | 58   | 2    | p. 3  | 118375051/1 | 1  | 2 | p. 33 | 122041980/0 | 51 | 1 | p. 19 |  |
| 112792611/0 | 58   | 2    | p. 7  | 118375051/1 | 1  | 2 | p. 35 | 122110230/0 | 8  | 2 | p. 71 |  |
| 112792611/0 | 60   | 1    | p. 37 | 118375051/1 | 3  | 2 | p. 23 | 122110230/0 | 8  | 2 | p. 77 |  |
| 112792611/0 | 72   | 1    | p. 39 | 118375051/1 | 3  | 2 | p. 27 | 122110230/0 | 17 | 2 | p. 71 |  |
| 112792611/0 | 83   | 4    | p. 3  | 118375051/1 | 3  | 2 | p. 29 | 122110230/0 | 17 | 2 | p. 77 |  |
| 112792611/0 | 83   | 4    | p. 7  | 118375051/1 | 3  | 4 | p. 21 | 122110239/0 | 8  | 2 | p. 77 |  |
| 112793101/0 | 20   | 4    | p. 69 | 118375051/1 | 3  | 4 | p. 25 | 122110239/0 | 17 | 2 | p. 77 |  |
| 112793102/0 | 6    | 2    | p. 25 | 118375051/1 | 3  | 4 | p. 31 | 122160400/0 | 57 | 2 | p. 51 |  |
| 112793102/0 | 9    | 3    | p. 33 | 118399063/0 | 1  | 1 | p. 37 | 122170950/0 | 42 | 2 | p. 25 |  |
| 112793102/0 | 9    | 3    | p. 35 | 118399063/0 | 1  | 1 | p. 41 | 122170950/0 | 42 | 2 | p. 27 |  |
| 112793102/0 | 14   | 2    | p. 21 | 118400862/0 | 5  | 1 | p. 59 | 122430216/0 | 4  | 1 | p. 37 |  |
| 112793102/0 | 14   | 2    | p. 23 | 118400919/2 | 53 | 1 | p. 41 | 122430216/0 | 4  | 1 | p. 41 |  |
| 112793102/0 | 14   | 2    | p. 31 | 118400960/0 | 53 | 1 | p. 37 | 122446402/0 | 25 | 1 | p. 45 |  |
| 112793102/0 | 20   | 2    | p. 3  | 118401001/1 | 4  | 1 | p. 33 | 122450432/0 | 16 | 1 | p. 55 |  |
| 112793102/0 | 20   | 2    | p. 7  | 118401001/1 | 4  | 1 | p. 35 | 122450432/0 | 16 | 1 | p. 57 |  |
| 112793102/0 | 20   | 2    | p. 51 | 118401001/1 | 10 | 1 | p. 29 | 122517866/0 | 26 | 3 | p. 69 |  |
| 112793102/0 | 22   | 3    | p. 33 | 118401001/1 | 11 | 1 | p. 27 | 122524970/2 | 40 | 2 | p. 3  |  |
| 112793102/0 | 22   | 3    | p. 35 | 118401001/1 | 12 | 1 | p. 31 | 122524970/2 | 40 | 2 | p. 7  |  |
| 112793102/0 | 23   | 2    | p. 17 | 118401001/1 | 14 | 1 | p. 25 | 122524970/3 | 14 | 1 | p. 17 |  |
| 112793102/0 | 23   | 2    | p. 19 | 118450060/1 | 28 | 1 | p. 59 | 122524970/3 | 14 | 1 | p. 19 |  |
| 112793102/0 | 32   | 2    | p. 27 | 118450068/0 | 27 | 1 | p. 59 | 122671653/0 | 49 | 2 | p. 3  |  |
| 112793102/0 | 32   | 2    | p. 29 | 118450072/0 | 2  | 1 | p. 59 | 122671653/0 | 49 | 2 | p. 7  |  |
| 112793701/0 | 59   | 1    | p. 41 | 118459100/0 | 26 | 2 | p. 59 | 122671653/0 | 51 | 2 | p. 37 |  |
| 112794985/0 | 23   | 1    | p. 13 | 118550135/0 | 4  | 1 | p. 59 | 122671653/0 | 51 | 2 | p. 41 |  |
| 112794985/0 | 23   | 1    | p. 15 | 118550136/0 | 3  | 1 | p. 59 | 122746609/0 | 58 | 2 | p. 15 |  |
| 112815200/0 | 11   | 2    | p. 17 | 118562996/0 | 10 | 1 | p. 21 | 124487997/0 | 22 | 1 | p. 45 |  |
| 112815200/0 | 11   | 2    | p. 19 | 118564861/1 | 33 | 1 | p. 59 | 124487998/0 | 4  | 2 | p. 61 |  |
| 112815200/0 | 12   | 4    | p. 3  | 118564861/1 | 45 | 1 | p. 21 | 124487998/0 | 31 | 1 | p. 45 |  |
| 112815200/0 | 12   | 4    | p. 7  | 118564861/1 | 45 | 1 | p. 23 | 124487998/0 | 34 | 1 | p. 45 |  |
| 112815200/0 | 15   | 2    | p. 3  | 118564864/1 | 45 | 1 | p. 29 | 124487998/0 | 46 | 1 | p. 45 |  |
| 112815200/0 | 15   | 2    | p. 7  | 118564864/1 | 45 | 1 | p. 31 | 124487998/0 | 54 | 1 | p. 47 |  |
| 112815200/0 | 18   | 2    | p. 3  | 118736110/0 | 43 | 1 | p. 21 | 124487998/0 | 66 | 2 | p. 53 |  |
| 112815200/0 | 18   | 2    | p. 7  | 118736110/0 | 43 | 1 | p. 23 | 124487999/0 | 43 | 1 | p. 61 |  |
| 112815200/0 | 32   | 8    | p. 3  | 118736110/0 | 43 | 1 | p. 29 | 125020802/0 | 3  | 1 | p. 51 |  |
| 112815200/0 | 32   | 8    | p. 7  | 118736110/0 | 43 | 1 | p. 31 | 125020803/0 | 9  | 1 | p. 51 |  |
| 112815200/0 | 94   | 4    | p. 5  | 118737849/0 | 5  | 1 | p. 33 | 125033033/0 | 67 | 1 | p. 37 |  |
| 112815200/0 | 94   | 4    | p. 9  | 118737849/0 | 5  | 1 | p. 35 | 125033119/0 | 50 | 1 | p. 17 |  |
| 112815210/0 | 3    | 2    | p. 65 | 118737849/0 | 9  | 1 | p. 29 | 125033119/0 | 50 | 1 | p. 19 |  |
| 112815221/0 | 33   | 4    | p. 11 | 118737849/0 | 10 | 1 | p. 27 | 125034002/1 | 42 | 4 | p. 15 |  |
| 112815221/0 | 41   | 2    | p. 25 | 118737849/0 | 11 | 1 | p. 31 | 125065017/0 | 46 | 1 | p. 21 |  |
| 112815221/0 | 41   | 2    | p. 27 | 118737849/0 | 13 | 1 | p. 25 | 125065017/0 | 46 | 1 | p. 23 |  |
| 112815245/0 | 36   | 4    | p. 17 | 118738204/0 | 4  | 1 | p. 25 | 125065017/0 | 46 | 1 | p. 29 |  |
| 112815245/0 | 36   | 4    | p. 19 | 118738206/0 | 4  | 1 | p. 23 | 125065017/0 | 46 | 1 | p. 31 |  |
|             |      |      |       | 118738221/0 | 12 | 1 | p. 27 | 125090007/0 | 71 | 1 | p. 25 |  |
|             |      |      |       | 118738222/0 | 13 | 1 | p. 27 | 125122200/2 | 3  | 4 | p. 71 |  |

| code        | pos. | q.ty | page  |             |    |   |       |             |    |   |       |  |
|-------------|------|------|-------|-------------|----|---|-------|-------------|----|---|-------|--|
| 125122200/2 | 3    | 4    | p. 73 | 125580012/0 | 8  | 1 | p. 11 | 125943012/0 | 62 | 2 | p. 29 |  |
| 125122200/2 | 3    | 4    | p. 75 | 125580013/0 | 9  | 1 | p. 11 | 125943012/0 | 62 | 2 | p. 31 |  |
| 125122200/2 | 3    | 4    | p. 77 | 125580020/2 | 93 | 2 | p. 11 | 125950000/0 | 5  | 2 | p. 71 |  |
| 125160016/0 | 44   | 1    | p. 13 | 125590014/0 | 4  | 2 | p. 71 | 125950000/0 | 5  | 2 | p. 73 |  |
| 125160016/0 | 44   | 1    | p. 15 | 125590014/0 | 4  | 2 | p. 73 | 125950000/0 | 5  | 2 | p. 75 |  |
| 125160021/0 | 6    | 1    | p. 37 | 125590014/0 | 4  | 2 | p. 75 | 125950000/0 | 5  | 2 | p. 77 |  |
| 125160021/0 | 6    | 1    | p. 41 | 125590015/0 | 13 | 2 | p. 71 | 125950000/0 | 14 | 2 | p. 71 |  |
| 125160024/2 | 46   | 1    | p. 37 | 125590015/0 | 13 | 2 | p. 73 | 125950000/0 | 14 | 2 | p. 73 |  |
| 125160024/2 | 46   | 1    | p. 41 | 125590015/0 | 13 | 2 | p. 75 | 125950000/0 | 14 | 2 | p. 75 |  |
| 125160030/2 | 47   | 1    | p. 37 | 125590020/0 | 4  | 2 | p. 77 | 125950000/0 | 14 | 2 | p. 77 |  |
| 125160030/2 | 47   | 1    | p. 41 | 125590022/0 | 13 | 2 | p. 77 | 125961201/0 | 1  | 1 | p. 69 |  |
| 125160031/0 | 69   | 2    | p. 39 | 125598050/0 | 3  | 1 | p. 33 | 125961209/0 | 1  | 1 | p. 69 |  |
| 125160035/0 | 14   | 3    | p. 29 | 125598060/0 | 3  | 1 | p. 35 | 125961212/0 | 1  | 1 | p. 69 |  |
| 125160058/0 | 69   | 2    | p. 41 | 125600041/0 | 41 | 1 | p. 55 | 125961216/0 | 1  | 1 | p. 69 |  |
| 125160079/0 | 21   | 1    | p. 51 | 125600041/0 | 41 | 1 | p. 57 | 127394000/0 | 32 | 1 | p. 57 |  |
| 125160080/0 | 41   | 1    | p. 41 | 125600042/0 | 42 | 1 | p. 55 | 127430561/0 | 44 | 1 | p. 25 |  |
| 125253004/0 | 79   | 2    | p. 61 | 125600042/0 | 42 | 1 | p. 57 | 127430561/0 | 44 | 1 | p. 27 |  |
| 125318124/0 | 43   | 1    | p. 55 | 125600048/0 | 47 | 1 | p. 55 | 127570050/0 | 3  | 1 | p. 13 |  |
| 125318124/0 | 43   | 1    | p. 57 | 125600048/0 | 47 | 1 | p. 57 | 127570050/0 | 3  | 1 | p. 15 |  |
| 125394501/0 | 64   | 1    | p. 25 | 125601554/0 | 14 | 1 | p. 37 | 127590066/0 | 4  | 2 | p. 71 |  |
| 125394501/0 | 64   | 1    | p. 27 | 125601554/0 | 14 | 1 | p. 41 | 127590066/0 | 4  | 2 | p. 73 |  |
| 125394501/0 | 64   | 1    | p. 29 | 125601555/0 | 43 | 1 | p. 37 | 127590066/0 | 4  | 2 | p. 75 |  |
| 125394501/0 | 64   | 1    | p. 31 | 125601563/0 | 17 | 2 | p. 51 | 127598060/0 | 8  | 1 | p. 29 |  |
| 125394508/0 | 3    | 1    | p. 45 | 125601564/1 | 36 | 1 | p. 51 | 127598060/0 | 10 | 1 | p. 31 |  |
| 125394508/0 | 25   | 1    | p. 55 | 125601566/1 | 5  | 1 | p. 37 | 127598061/1 | 12 | 1 | p. 25 |  |
| 125420018/0 | 3    | 1    | p. 63 | 125601577/0 | 5  | 1 | p. 41 | 133215000/0 | 10 | 2 | p. 59 |  |
| 125420020/0 | 12   | 1    | p. 63 | 125601588/0 | 50 | 2 | p. 37 | 133320506/0 | 8  | 2 | p. 59 |  |
| 125420024/0 | 2    | 1    | p. 63 | 125601588/0 | 50 | 2 | p. 41 | 133320506/0 | 35 | 9 | p. 59 |  |
| 125430213/0 | 16   | 1    | p. 17 | 125670005/1 | 6  | 2 | p. 71 | 133340036/0 | 11 | 1 | p. 59 |  |
| 125430213/0 | 16   | 1    | p. 19 | 125670005/1 | 6  | 2 | p. 73 | 133340040/0 | 11 | 1 | p. 59 |  |
| 125430213/0 | 48   | 1    | p. 17 | 125670005/1 | 6  | 2 | p. 75 | 133500007/0 | 12 | 2 | p. 59 |  |
| 125430213/0 | 48   | 1    | p. 19 | 125670005/1 | 6  | 2 | p. 77 | 133500030/0 | 25 | 2 | p. 59 |  |
| 125430245/0 | 75   | 1    | p. 61 | 125670005/1 | 15 | 2 | p. 71 | 133567000/0 | 45 | 1 | p. 25 |  |
| 125430252/0 | 20   | 1    | p. 33 | 125670005/1 | 15 | 2 | p. 73 | 133567000/0 | 45 | 1 | p. 27 |  |
| 125430252/0 | 20   | 1    | p. 35 | 125670005/1 | 15 | 2 | p. 75 | 135062019/0 | 23 | 1 | p. 43 |  |
| 125430257/1 | 46   | 2    | p. 3  | 125670005/1 | 15 | 2 | p. 77 | 135062020/0 | 23 | 1 | p. 37 |  |
| 125430257/1 | 46   | 2    | p. 7  | 125670005/1 | 70 | 2 | p. 41 | 135065701/0 | 27 | 1 | p. 51 |  |
| 125430259/0 | 13   | 1    | p. 45 | 125670007/0 | 18 | 2 | p. 51 | 138780531/0 | 2  | 1 | p. 33 |  |
| 125430260/0 | 17   | 1    | p. 37 | 125670007/0 | 22 | 1 | p. 51 | 138780531/0 | 2  | 1 | p. 35 |  |
| 125430260/0 | 17   | 1    | p. 41 | 125670019/0 | 17 | 1 | p. 13 | 181004346/3 | 54 | 1 | p. 51 |  |
| 125430276/0 | 60   | 1    | p. 3  | 125670019/0 | 17 | 1 | p. 15 | 182000200/1 | 61 | 1 | p. 21 |  |
| 125430276/0 | 60   | 1    | p. 7  | 125722442/0 | 9  | 1 | p. 59 | 182000200/1 | 61 | 1 | p. 23 |  |
| 125430285/0 | 12   | 1    | p. 69 | 125722443/0 | 9  | 1 | p. 59 | 182000200/1 | 61 | 1 | p. 25 |  |
| 125430285/0 | 25   | 1    | p. 69 | 125722453/1 | 8  | 1 | p. 69 | 182000200/1 | 61 | 1 | p. 27 |  |
| 125463200/0 | 52   | 2    | p. 51 | 125722456/0 | 10 | 1 | p. 69 | 182000200/1 | 61 | 1 | p. 29 |  |
| 125510021/1 | 42   | 1    | p. 61 | 125722463/0 | 7  | 1 | p. 69 | 182000201/2 | 24 | 1 | p. 33 |  |
| 125510022/0 | 3    | 2    | p. 61 | 125722470/0 | 6  | 1 | p. 69 | 182000201/2 | 24 | 1 | p. 35 |  |
| 125510045/0 | 21   | 2    | p. 11 | 125722471/0 | 9  | 1 | p. 69 | 182000212/0 | 61 | 1 | p. 31 |  |
| 125510077/0 | 74   | 1    | p. 61 | 125722478/1 | 11 | 1 | p. 69 | 182000590/1 | 2  | 2 | p. 77 |  |
| 125510080/1 | 14   | 1    | p. 55 | 125730005/1 | 11 | 1 | p. 11 | 182000592/0 | 12 | 2 | p. 77 |  |
| 125510080/1 | 14   | 1    | p. 57 | 125795000/1 | 2  | 1 | p. 65 | 182000598/0 | 2  | 2 | p. 71 |  |
| 125510087/0 | 11   | 1    | p. 37 | 125795001/1 | 2  | 1 | p. 67 | 182000598/0 | 2  | 2 | p. 73 |  |
| 125510087/0 | 11   | 1    | p. 41 | 125840005/0 | 19 | 1 | p. 37 | 182000598/0 | 2  | 2 | p. 75 |  |
| 125510090/0 | 35   | 1    | p. 45 | 125840005/0 | 19 | 1 | p. 41 | 182000599/0 | 12 | 2 | p. 71 |  |
| 125510090/0 | 55   | 1    | p. 47 | 125840011/1 | 78 | 1 | p. 61 | 182000599/0 | 12 | 2 | p. 73 |  |
| 125510092/0 | 16   | 1    | p. 13 | 125840022/0 | 57 | 1 | p. 13 | 182000599/0 | 12 | 2 | p. 75 |  |
| 125510092/0 | 16   | 1    | p. 15 | 125840023/0 | 57 | 1 | p. 15 | 182004344/1 | 54 | 1 | p. 51 |  |
| 125510096/0 | 58   | 2    | p. 13 | 125840024/0 | 44 | 1 | p. 45 | 182004345/1 | 53 | 1 | p. 51 |  |
| 125510098/0 | 47   | 1    | p. 45 | 125840025/0 | 32 | 1 | p. 45 | 182004352/0 | 53 | 1 | p. 51 |  |
| 125510100/0 | 41   | 1    | p. 37 | 125840025/0 | 52 | 1 | p. 47 | 182004353/0 | 54 | 1 | p. 51 |  |
| 125519997/1 | 22   | 1    | p. 61 | 125943012/0 | 20 | 2 | p. 25 | 182004354/0 | 53 | 1 | p. 51 |  |
| 125520006/1 | 2    | 1    | p. 13 | 125943012/0 | 25 | 2 | p. 33 | 182040070/0 | 24 | 1 | p. 59 |  |
| 125520006/1 | 2    | 1    | p. 15 | 125943012/0 | 25 | 2 | p. 35 | 182040192/0 | 1  | 1 | p. 59 |  |
| 125547105/0 | 2    | 1    | p. 11 | 125943012/0 | 62 | 2 | p. 21 | 182040192/0 | 24 | 1 | p. 59 |  |
|             |      |      |       | 125943012/0 | 62 | 2 | p. 23 | 182040201/0 | 1  | 1 | p. 59 |  |
|             |      |      |       | 125943012/0 | 62 | 2 | p. 27 | 182040202/0 | 1  | 1 | p. 59 |  |



| code        | pos. | q.ty | page  |             |    |   |       |             |    |   |       |  |
|-------------|------|------|-------|-------------|----|---|-------|-------------|----|---|-------|--|
| 182105973/0 | 22   | 1    | p. 55 | 325430253/0 | 43 | 1 | p. 3  | 325785185/0 | 34 | 2 | p. 19 |  |
| 182105974/0 | 22   | 1    | p. 57 | 325430253/0 | 43 | 1 | p. 7  | 325785213/1 | 8  | 1 | p. 13 |  |
| 182180050/0 | 51   | 1    | p. 61 | 325547025/1 | 2  | 1 | p. 11 | 325785213/1 | 8  | 1 | p. 15 |  |
| 182180052/0 | 51   | 1    | p. 61 | 325547033/2 | 19 | 1 | p. 69 | 325785213/1 | 25 | 1 | p. 13 |  |
| 182750003/0 | 11   | 1    | p. 35 | 325547041/1 | 18 | 2 | p. 45 | 325785213/1 | 25 | 1 | p. 15 |  |
| 182750003/0 | 31   | 1    | p. 27 | 325547089/1 | 23 | 1 | p. 11 | 325785213/1 | 53 | 1 | p. 13 |  |
| 182750010/0 | 16   | 1    | p. 21 | 325547091/1 | 24 | 1 | p. 11 | 325785213/1 | 53 | 1 | p. 15 |  |
| 182750010/0 | 16   | 1    | p. 23 | 325547181/0 | 42 | 1 | p. 11 | 325785241/0 | 14 | 1 | p. 3  |  |
| 182750010/0 | 16   | 1    | p. 31 | 325547375/0 | 22 | 1 | p. 17 | 325785241/0 | 14 | 1 | p. 7  |  |
| 182750010/0 | 16   | 1    | p. 31 | 325547375/0 | 22 | 1 | p. 19 | 325785243/1 | 4  | 1 | p. 3  |  |
| 182750010/0 | 17   | 1    | p. 25 | 325580500/0 | 2  | 1 | p. 69 | 325785243/1 | 4  | 1 | p. 7  |  |
| 182750010/0 | 31   | 1    | p. 29 | 325580501/0 | 2  | 1 | p. 69 | 325785245/0 | 5  | 1 | p. 3  |  |
| 182750014/0 | 11   | 1    | p. 33 | 325580508/0 | 4  | 1 | p. 69 | 325785245/0 | 5  | 1 | p. 7  |  |
| 322672152/0 | 34   | 2    | p. 51 | 325592000/0 | 26 | 1 | p. 33 | 325785249/1 | 31 | 2 | p. 3  |  |
| 325033065/0 | 9    | 2    | p. 49 | 325592000/0 | 26 | 1 | p. 35 | 325785249/1 | 31 | 2 | p. 7  |  |
| 325033066/0 | 7    | 1    | p. 49 | 325592000/0 | 64 | 1 | p. 21 | 325785255/0 | 10 | 1 | p. 3  |  |
| 325038004/0 | 1    | 1    | p. 13 | 325592000/0 | 64 | 1 | p. 23 | 325785255/0 | 10 | 1 | p. 7  |  |
| 325038004/0 | 1    | 1    | p. 15 | 325599010/0 | 31 | 1 | p. 11 | 325785257/1 | 34 | 2 | p. 3  |  |
| 325040622/0 | 42   | 4    | p. 13 | 325599011/0 | 32 | 1 | p. 11 | 325785257/1 | 34 | 2 | p. 7  |  |
| 325040624/0 | 13   | 2    | p. 13 | 325600074/0 | 40 | 1 | p. 11 | 325785261/0 | 10 | 1 | p. 17 |  |
| 325040624/0 | 13   | 2    | p. 15 | 325601599/0 | 23 | 1 | p. 51 | 325785261/0 | 10 | 1 | p. 19 |  |
| 325060034/1 | 20   | 1    | p. 17 | 325601599/0 | 43 | 1 | p. 41 | 325785261/0 | 53 | 1 | p. 17 |  |
| 325060034/1 | 20   | 1    | p. 19 | 325605003/0 | 19 | 1 | p. 11 | 325785261/0 | 53 | 1 | p. 19 |  |
| 325060121/1 | 1    | 1    | p. 49 | 325650113/0 | 6  | 1 | p. 45 | 325785272/0 | 45 | 1 | p. 55 |  |
| 325060122/0 | 2    | 1    | p. 49 | 325650119/0 | 55 | 2 | p. 3  | 325785272/0 | 45 | 1 | p. 57 |  |
| 325060127/0 | 21   | 1    | p. 49 | 325650119/0 | 55 | 2 | p. 7  | 325785275/0 | 1  | 2 | p. 55 |  |
| 325110319/0 | 31   | 1    | p. 55 | 325670008/1 | 29 | 2 | p. 45 | 325785275/0 | 1  | 2 | p. 57 |  |
| 325110320/0 | 31   | 1    | p. 55 | 325670008/1 | 33 | 1 | p. 45 | 325785289/0 | 7  | 1 | p. 67 |  |
| 325110322/0 | 94   | 1    | p. 11 | 325670008/1 | 38 | 2 | p. 45 | 325785291/0 | 3  | 1 | p. 67 |  |
| 325110323/0 | 94   | 1    | p. 11 | 325670008/1 | 45 | 1 | p. 45 | 325785499/0 | 21 | 1 | p. 3  |  |
| 325110326/0 | 105  | 1    | p. 5  | 325670008/1 | 50 | 2 | p. 45 | 325785499/0 | 21 | 1 | p. 7  |  |
| 325110327/0 | 104  | 1    | p. 5  | 325670008/1 | 53 | 1 | p. 47 | 325869057/0 | 2  | 1 | p. 21 |  |
| 325110342/0 | 31   | 1    | p. 55 | 325670008/1 | 58 | 2 | p. 47 | 325869057/0 | 2  | 1 | p. 23 |  |
| 325110363/0 | 91   | 1    | p. 11 | 325670008/1 | 63 | 4 | p. 53 | 325869057/0 | 2  | 1 | p. 25 |  |
| 325110413/0 | 31   | 1    | p. 55 | 325670008/1 | 65 | 2 | p. 53 | 325869057/0 | 2  | 1 | p. 27 |  |
| 325110416/0 | 2    | 1    | p. 17 | 325670011/0 | 21 | 1 | p. 45 | 325869057/0 | 2  | 1 | p. 29 |  |
| 325110416/0 | 2    | 1    | p. 19 | 325670011/0 | 65 | 1 | p. 37 | 325869057/0 | 2  | 1 | p. 31 |  |
| 325110417/0 | 32   | 1    | p. 17 | 325670025/0 | 71 | 2 | p. 39 | 325869068/0 | 12 | 1 | p. 49 |  |
| 325110417/0 | 32   | 1    | p. 19 | 325670025/0 | 71 | 2 | p. 41 | 325869069/0 | 11 | 1 | p. 49 |  |
| 325110418/0 | 33   | 1    | p. 17 | 325735124/0 | 1  | 1 | p. 67 | 325961222/1 | 3  | 1 | p. 69 |  |
| 325110418/0 | 33   | 1    | p. 19 | 325735128/0 | 1  | 1 | p. 65 | 327063021/1 | 15 | 1 | p. 69 |  |
| 325110421/0 | 31   | 1    | p. 55 | 325735511/0 | 14 | 1 | p. 45 | 327546015/2 | 3  | 2 | p. 17 |  |
| 325120247/0 | 36   | 1    | p. 11 | 325735513/0 | 18 | 1 | p. 13 | 327546015/2 | 3  | 2 | p. 19 |  |
| 325122000/2 | 51   | 2    | p. 3  | 325735513/0 | 18 | 1 | p. 15 | 327546015/2 | 35 | 2 | p. 17 |  |
| 325122000/2 | 51   | 2    | p. 7  | 325743000/0 | 5  | 1 | p. 13 | 327546015/2 | 35 | 2 | p. 19 |  |
| 325140093/0 | 72   | 1    | p. 61 | 325743000/0 | 5  | 1 | p. 15 | 327546015/2 | 42 | 2 | p. 45 |  |
| 325160039/0 | 4    | 2    | p. 65 | 325743000/0 | 24 | 1 | p. 13 | 327670055/0 | 10 | 1 | p. 37 |  |
| 325160039/0 | 13   | 6    | p. 49 | 325743000/0 | 24 | 1 | p. 15 | 327670055/0 | 10 | 1 | p. 41 |  |
| 325160039/0 | 24   | 2    | p. 49 | 325743000/0 | 52 | 1 | p. 13 | 327772099/1 | 36 | 1 | p. 59 |  |
| 325160501/0 | 6    | 1    | p. 51 | 325743000/0 | 52 | 1 | p. 15 | 382000385/0 | 41 | 1 | p. 45 |  |
| 325160501/0 | 12   | 1    | p. 51 | 325755031/1 | 11 | 1 | p. 55 | 382000387/0 | 17 | 1 | p. 45 |  |
| 325207171/0 | 61   | 1    | p. 17 | 325755031/1 | 11 | 1 | p. 57 | 382000533/0 | 62 | 1 | p. 53 |  |
| 325207171/0 | 61   | 1    | p. 19 | 325755039/0 | 37 | 2 | p. 3  | 382000535/0 | 61 | 1 | p. 53 |  |
| 325207176/0 | 11   | 1    | p. 65 | 325755039/0 | 37 | 2 | p. 7  | 382000537/0 | 28 | 1 | p. 45 |  |
| 325207176/0 | 11   | 1    | p. 67 | 325755041/0 | 97 | 2 | p. 11 | 382000538/1 | 29 | 1 | p. 13 |  |
| 325253007/1 | 49   | 1    | p. 17 | 325755043/0 | 42 | 1 | p. 3  | 382000539/1 | 29 | 1 | p. 15 |  |
| 325253007/1 | 49   | 1    | p. 19 | 325755043/0 | 42 | 1 | p. 7  | 382000542/1 | 5  | 1 | p. 17 |  |
| 325256250/0 | 20   | 1    | p. 11 | 325755049/0 | 18 | 1 | p. 37 | 382000543/0 | 38 | 1 | p. 17 |  |
| 325280000/1 | 77   | 1    | p. 61 | 325755049/0 | 18 | 1 | p. 41 | 382000578/0 | 38 | 1 | p. 19 |  |
| 325318157/0 | 62   | 1    | p. 37 | 325774315/1 | 13 | 1 | p. 55 | 382000605/0 | 31 | 1 | p. 17 |  |
| 325318205/0 | 21   | 1    | p. 13 | 325774315/1 | 13 | 1 | p. 57 | 382000605/1 | 31 | 1 | p. 19 |  |
| 325318205/0 | 21   | 1    | p. 15 | 325774373/0 | 33 | 2 | p. 49 | 382000618/0 | 20 | 1 | p. 45 |  |
| 325318253/0 | 62   | 1    | p. 41 | 325774381/0 | 5  | 1 | p. 49 | 382000627/0 | 5  | 1 | p. 19 |  |
| 325318327/0 | 29   | 1    | p. 69 | 325774383/0 | 6  | 1 | p. 49 | 382004618/0 | 40 | 1 | p. 51 |  |
| 325394007/0 | 73   | 1    | p. 61 | 325774575/0 | 27 | 1 | p. 69 | 382034021/1 | 41 | 1 | p. 13 |  |
|             |      |      |       | 325785185/0 | 34 | 2 | p. 17 | 382034024/1 | 41 | 1 | p. 15 |  |

| code        | pos. | q.ty | page  |
|-------------|------|------|-------|
| 382076902/1 | 1    | 1    | p. 11 |
| 382076935/0 | 1    | 1    | p. 11 |
| 382108008/0 | 32   | 1    | p. 49 |
| 382110252/0 | 8    | 2    | p. 73 |
| 382110253/0 | 17   | 2    | p. 73 |
| 382110273/1 | 31   | 1    | p. 57 |
| 382110274/0 | 8    | 2    | p. 75 |
| 382110275/0 | 17   | 2    | p. 75 |
| 382180048/0 | 26   | 1    | p. 55 |
| 382180062/0 | 5    | 1    | p. 61 |
| 382180120/0 | 23   | 1    | p. 57 |
| 382207202/0 | 2    | 1    | p. 51 |
| 382207203/0 | 8    | 1    | p. 51 |
| 382230363/0 | 49   | 1    | p. 13 |
| 382230363/0 | 49   | 1    | p. 15 |
| 382230365/0 | 50   | 1    | p. 13 |
| 382230365/0 | 50   | 1    | p. 15 |
| 382318141/2 | 31   | 1    | p. 51 |
| 382318217/0 | 7    | 1    | p. 37 |
| 382318217/0 | 7    | 1    | p. 41 |
| 382318219/1 | 2    | 1    | p. 45 |
| 382318289/0 | 13   | 1    | p. 17 |
| 382318289/0 | 13   | 1    | p. 19 |
| 382318289/0 | 47   | 1    | p. 17 |
| 382318289/0 | 47   | 1    | p. 19 |
| 382394003/0 | 23   | 1    | p. 55 |
| 382394853/0 | 41   | 1    | p. 17 |
| 382394853/0 | 41   | 1    | p. 19 |
| 382500029/1 | 1    | 1    | p. 17 |
| 382500029/1 | 1    | 1    | p. 19 |
| 382510077/0 | 89   | 1    | p. 9  |
| 382510079/0 | 88   | 1    | p. 9  |
| 382510081/0 | 103  | 1    | p. 5  |
| 382510083/0 | 102  | 1    | p. 5  |
| 382547041/1 | 52   | 1    | p. 3  |
| 382547041/1 | 52   | 1    | p. 7  |
| 382564075/0 | 1    | 1    | p. 51 |
| 382564091/0 | 1    | 1    | p. 51 |
| 382564112/0 | 1    | 1    | p. 51 |
| 382564116/0 | 1    | 1    | p. 51 |
| 382598003/1 | 19   | 1    | p. 25 |
| 382598005/2 | 35   | 1    | p. 27 |
| 382598009/2 | 18   | 1    | p. 21 |
| 382598009/2 | 18   | 1    | p. 23 |
| 382598029/0 | 35   | 1    | p. 29 |
| 382598039/0 | 18   | 1    | p. 31 |
| 382598065/0 | 13   | 1    | p. 33 |
| 382598065/0 | 13   | 1    | p. 35 |
| 382774215/3 | 41   | 1    | p. 51 |
| 382774249/0 | 1    | 1    | p. 45 |
| 382785149/0 | 56   | 1    | p. 37 |
| 382785151/2 | 8    | 1    | p. 3  |
| 382785151/2 | 8    | 1    | p. 7  |
| 382785153/1 | 17   | 2    | p. 3  |
| 382785153/1 | 17   | 2    | p. 7  |
| 382785191/0 | 37   | 1    | p. 59 |
| 382785199/0 | 56   | 1    | p. 41 |
| 382800110/0 | 21   | 1    | p. 57 |
| 382800111/0 | 21   | 1    | p. 55 |
| 382869023/0 | 24   | 1    | p. 55 |
| 382869031/0 | 26   | 1    | p. 11 |
| 382869035/0 | 2    | 1    | p. 61 |