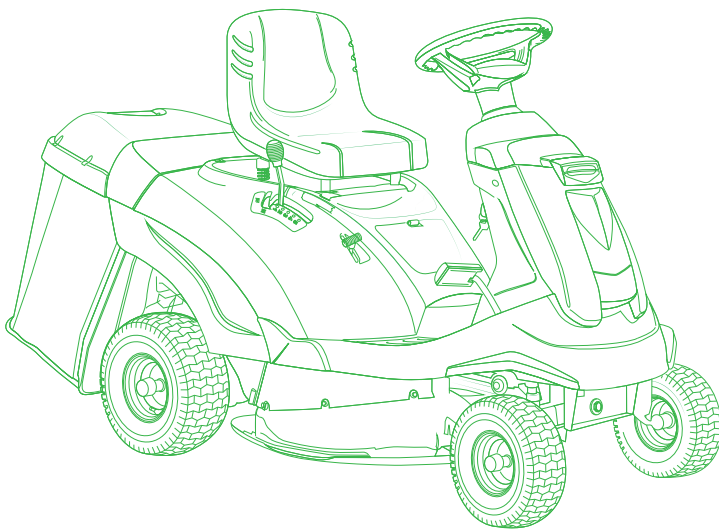


ILLUSTRATED PARTS LIST

F 72



- Use GLOBAL GARDEN PRODUCT Genuine Spare Parts specified in the parts list for repair and/or replacement.
- The contents described in the parts list may change due to improvement.
- The drawings of the spare parts are only indicative and might not represent the part in question exactly.
- The indications "right" - "left" - "front" - "rear" refer to the position of the operator when using the machine.
- When placing orders of parts for repair and/or replacement, make sure that the illustrated parts list is the one applying to the machine's year of manufacture, as shown on the identification plate attached to the machine.

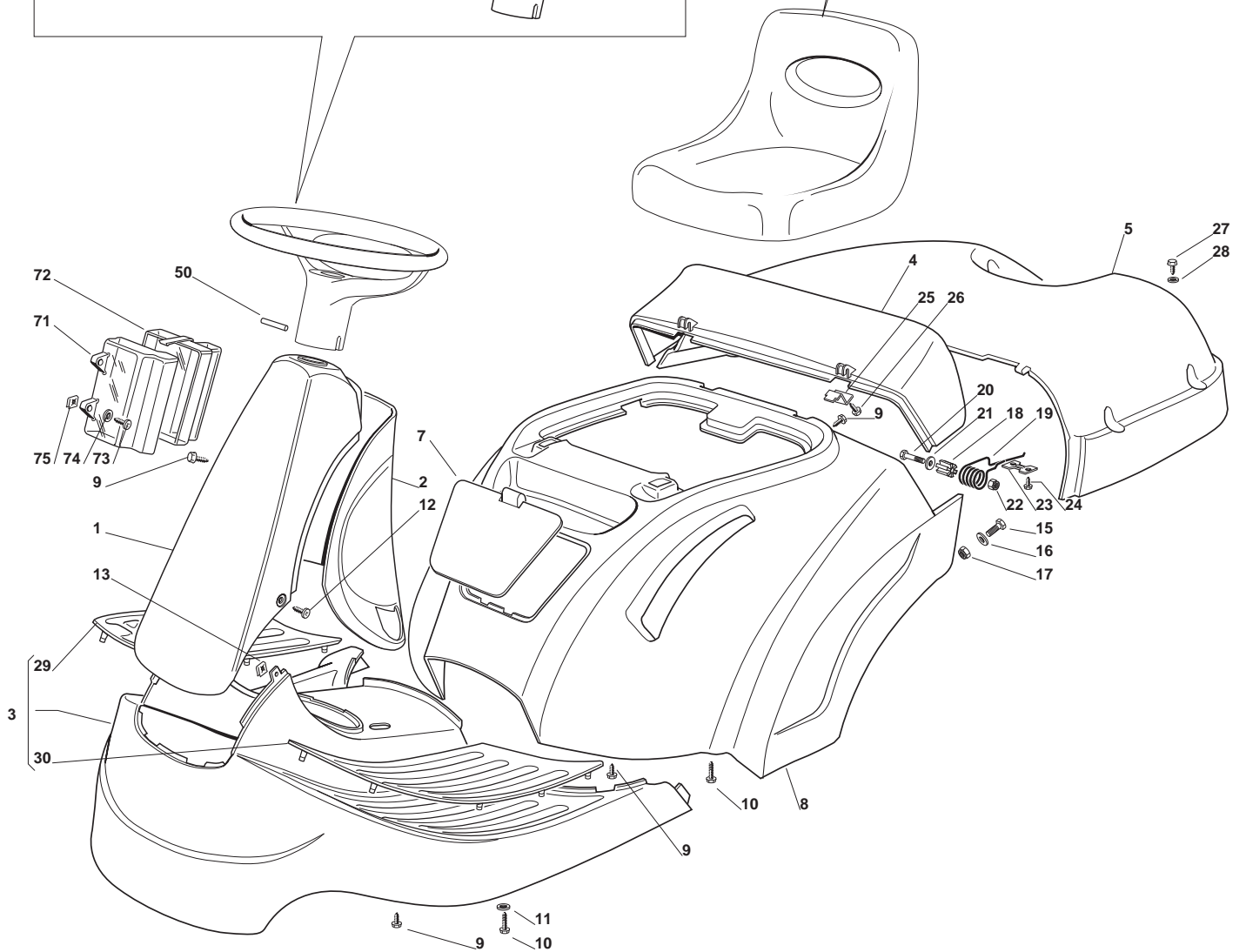
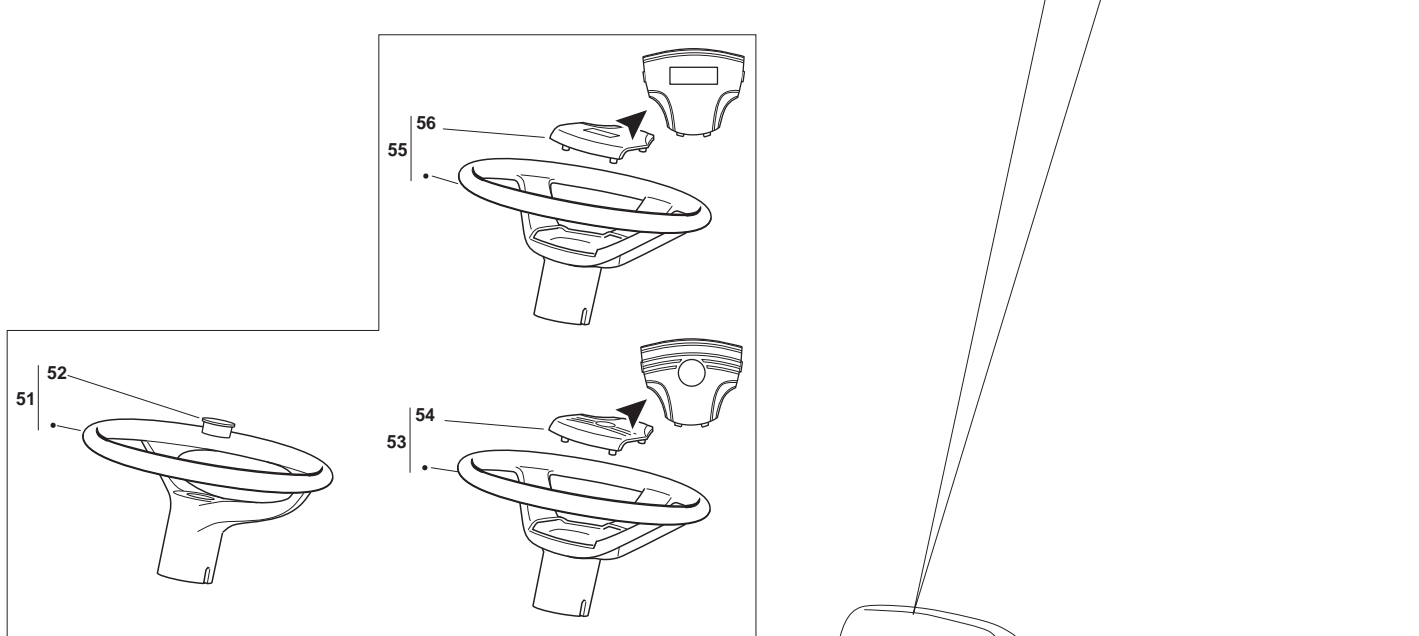
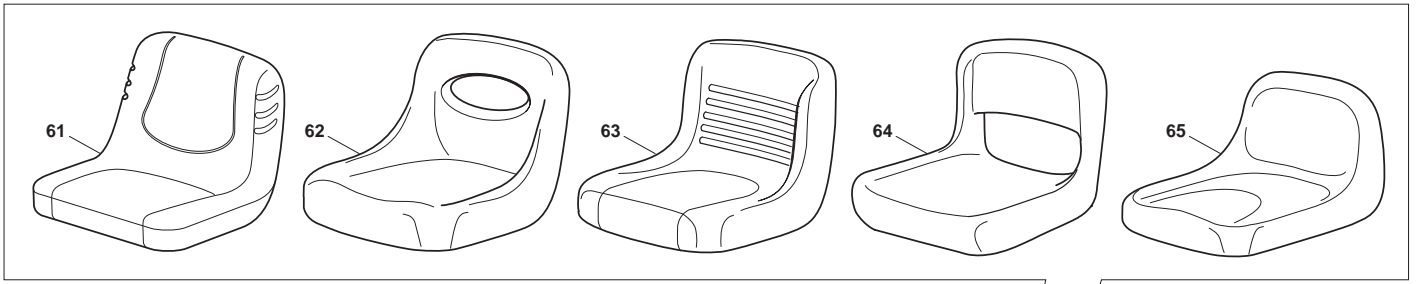
© Copyright 2014 Global Garden Products

All content is subject to copyright by Global Garden Products and may not be reproduced in whole or in part by any means, electronic or otherwise, without prior written approval.

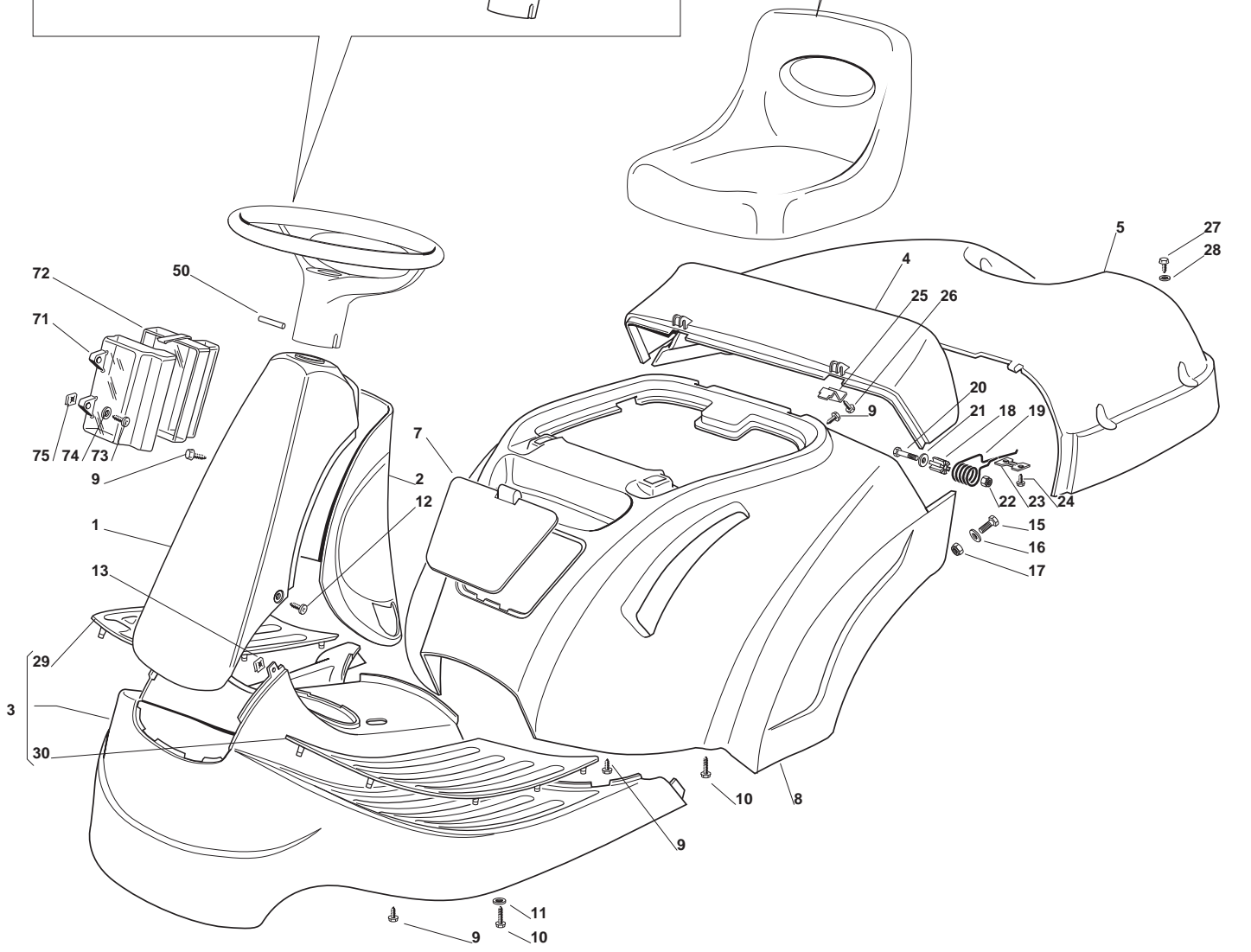
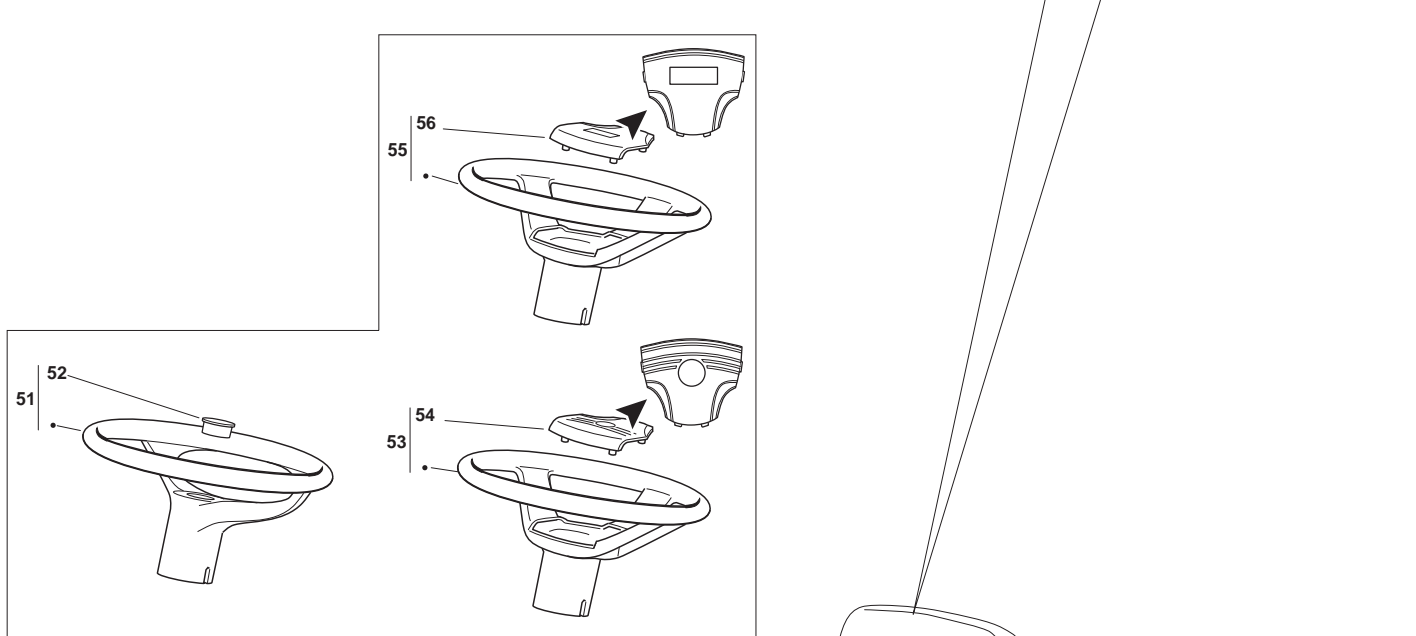
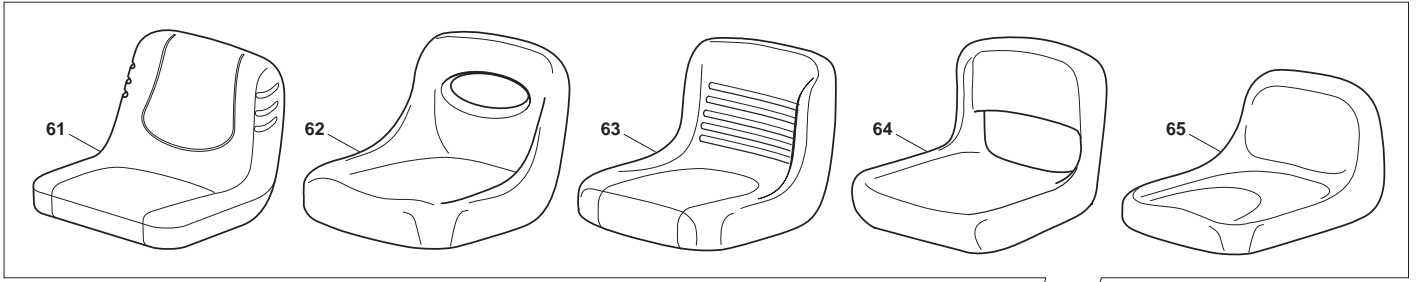
THIS INFORMATION IS NOT INTENDED FOR SALE OR RESALE, AND THIS NOTICE MUST REMAIN ON ALL COPIES.



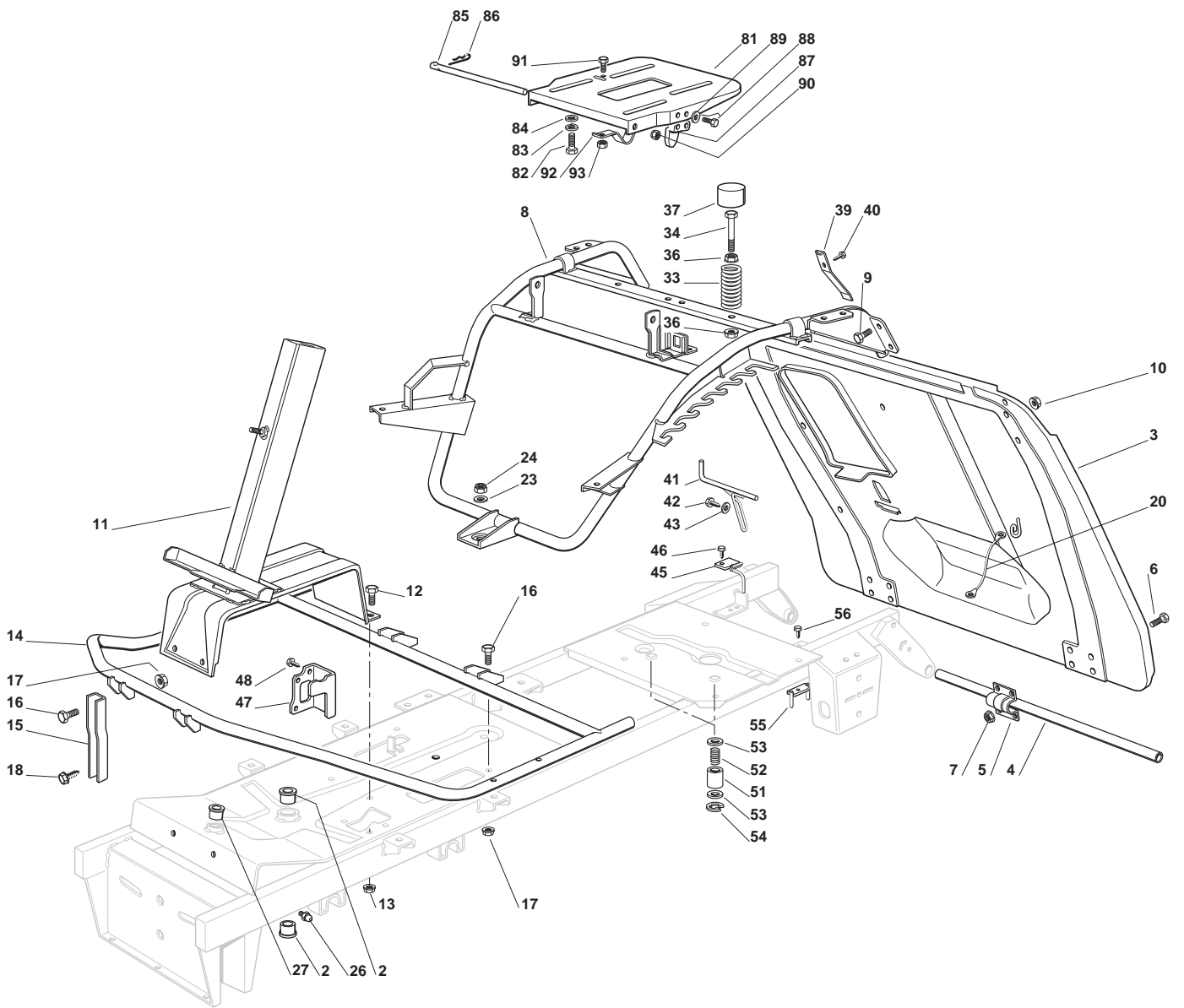
GLOBAL GARDEN PRODUCTS



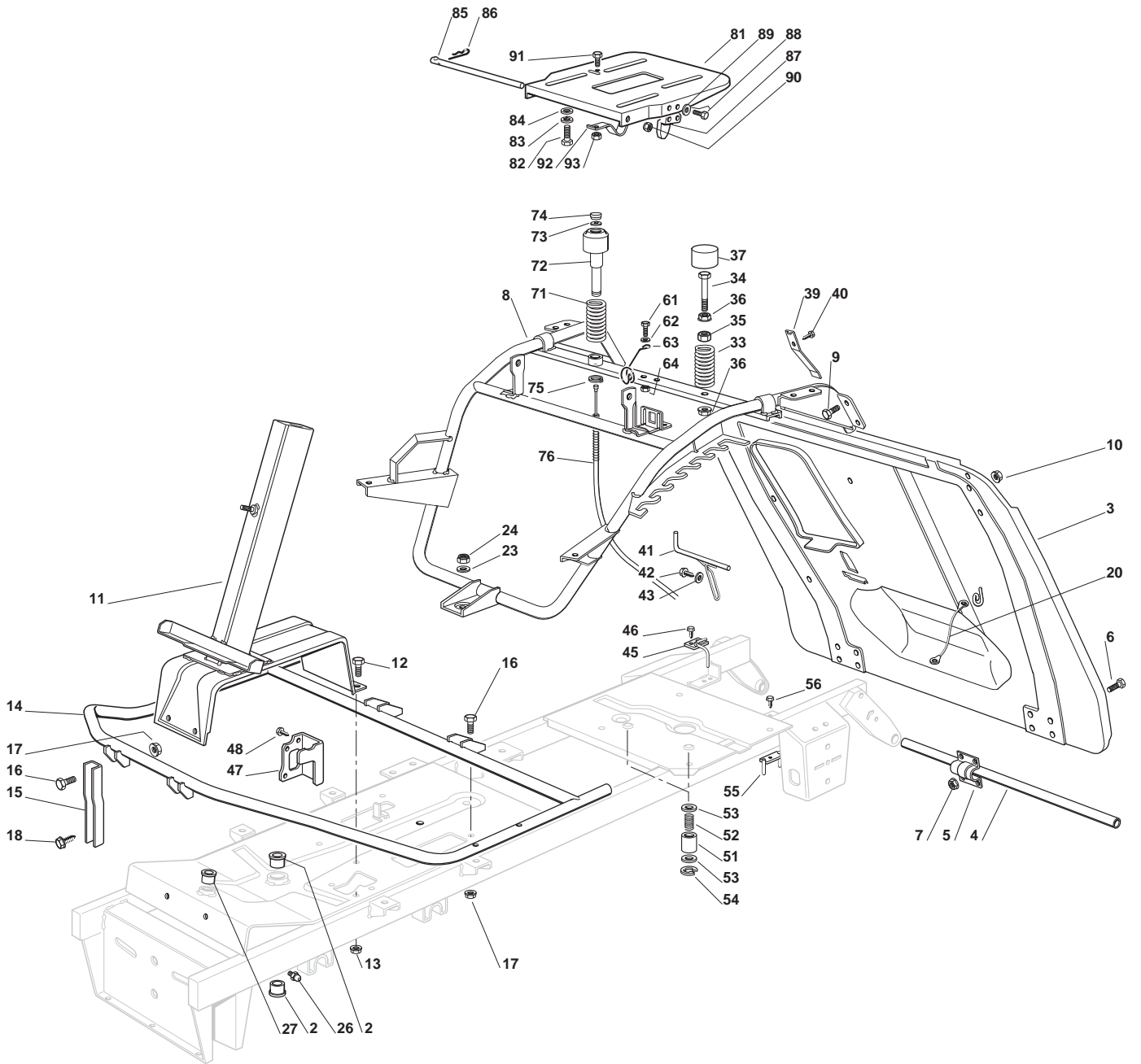
Body							
POS	CODE	Q.TY	DESCRIPTION	DESCRIZIONE	DESCRIPTION	BESCHREIBUNG	NOTES
1	184598077/0	1	Yellow Steering Column Protection	Protezione Piantone Sterzo Giallo	Protection Tube De DirectionJaune	Lenkungsäule, Schutz Gelb	
1	384598064/1	1	Front Cover Red	Protezione Anteriore Rosso	Couvercle Avant Rouge	Vorderdeckel Rot	
1	384598076/1	1	Steering Column Protection, Orange	Protezione Piantone Sterzo Arancione	Tube De Direction Orange	Lenkungsäule Orange	
1	384598086/0	1	Front Cover Grey	Protezione Anteriore Grigio	Couvercle Avant Gris	Vorderdeckel Grau	
1	384598087/0	1	Steering Column Protection Black	Protezione Anteriore Nero	Couvercle AvantNoir	Vorderdeckel Schwarz	
1	384598088/0	1	Front Cover Green	Protezione Anteriore Verde	Couvercle Avant Vert	Vorderdeckel Grün	
2	127600117/0	1	Rear Steering Column Protection	Protezione Piantone Sterzo	Protection Tube De Direction	Lenkungsäule, Schutz	
2	327600091/1	1	Rear Steering Column Protection	Protezione Piantone Sterzo	Protection Tube De Direction	Lenkungsäule, Schutz	
2	327600111/1	1	Rear Steering Column Protection	Protezione Piantone Sterzo	Protection Tube De Direction	Lenkungsäule, Schutz	
2	327600134/0	1	Rear Steering Column Protection	Protezione Piantone Sterzo	Protection Tube De Direction	Lenkungsäule, Schutz	
2	327600154/0	1	Rear Cover Green	Protezione Posteriore Verde	Couvercle Arrier Vert	Hinterdeckel Grün	
2	327600176/0	1	Rear Cover White	Protezione Posteriore Bianco	Couvercle Arrier Blanc	Hinterdeckel Weiß	
3	184110131/0	1	Footboard Cover Ass.Y	Comp.Stigayellow 124010 Footb.Cov.Ass.Y	Comp.Stigayellow 124010 Footb.Cov.Ass.Y	Comp.Stigayellow 124010 Footb.Cov.Ass.Y	
3	384110117/2	1	Footboard Cover Red	Copertura Pedana Rosso	Couvre Marchepied Rouge	Fussbrettdeckel Rot	
3	384110130/1	1	Footboard Cover Orange	Copertura Pedana Arancione	Couvre Marchepied Orange	Fussbrettdeckel Dunkelorange	
3	384110143/0	1	Footboard Cover Grey	Copertura Pedana Grigio	Couvre Marchepied Gris	Fussbrettdeckel Grau	
3	384110162/0	1	Footboard Cover Green	Copertura Pedana Verde	Couvre Marchepied Vert	Fussbrettdeckel Grün	
3	384110167/0	1	Footboard Cover White	Copertura Pedana Bianco	Couvre Marchepied Blanc	Fussbrettdeckel Weiß	
4	127110360/0	1	Yellow Fixe Grass-Catcher Cover	Copertura Sacco Fissa Giallo	Couverture Bac Fixe Jaune	Fester Sackkappe Gelb	
4	327110302/2	1	Red Fixed Grass-Catcher Cover	Copertura Sacco Fissa Rosso	Couvre-Bac Fixe Rouge	Fester Sackkappe Rot	
4	327110353/1	1	Grass-Catcher Cover, Fixed Red	Copertura Sacco Fissa Arancione	Couvre-Bac Fixe Orange	Fester Sackkappe Orange	
4	327110461/0	1	Grass-Catcher Cover, Fixed Green	Copertura Sacco Fissa Verde	Couvre-Bac Fixe Vert	Fester Sackkappe Grün	
4	327110470/0	1	White Grass-Catcher Cover	Copertura Sacco Bianco	Couvre-Bac Blanc	Sackkappe Weiß	
5	127110361/0	1	Grass-Catcher Cover, Mobile Yellow	Copertura Sacco Mobile Giallo	Couvre-Bac Mobile Jaune	Beweglicher Sackkappe Gelb	
5	327110303/1	1	Grass-Catcher Cover, Mobile Red	Copertura Sacco Mobile Rosso	Couvre-Bac Mobile Rouge	Beweglicher Sackkappe Rot	
5	327110354/1	1	Grass-Catcher Cover, Mobile Orange	Copertura Sacco Mobile Arancione	Couvre-Bac Mobile Orange	Beweglicher Sackkappe Orange	
5	327110462/0	1	Grass-Catcher Cover, Mobile Green	Copertura Sacco Mobile Verde	Couvre-Bac Mobile Vert	Beweglicher Sackkappe Grün	
5	327110471/0	1	Grass-Catcher Cover, Mobile White	Copertura Sacco Mobile Bianco	Couvre-Bac Mobile Blanc	Beweglicher SackkappeWeiß	
7	127109516/0	1	Front Cover Yellow	Coperchio Anteriore Giallo	Couvercle Avant Jaune	Deckel Gelb	
7	327109501/1	1	Hub Cap Red	Coprizzo Rosso	Couvre-Moyeu Rouge	Radkappe Rot	
7	327109515/1	1	Front Cover Orange	Coperchio Anteriore Arancione	Couvercle Avant Orange	Deckel Dunkelorange	
7	327109528/0	1	Front Cover Green	Coperchio Anteriore Verde	Couvercle Avant Vert	Deckel Grün	
7	327109530/0	1	Front CoverWhite	Coperchio Anteriore Bianco	Couvercle Avant Blanc	Deckel Weiß	
8	384110100/4	1	Red Wheels Cover	Copertura Ruote Rosso	Couvre Roues Rouge	Radenkappe Rot	
8	384110128/3	1	Orange Wheels Cover	Copertura Ruote Arancione	Couvre Roues Orange	Radenkappe Dunkelorange	
8	384110132/2	1	Yellow Wheels Cover	Copertura Ruote Giallo	Couvre Roues Jaune	Radenkappe Gelb	
8	384110164/1	1	Green Wheels Cover	Copertura Ruote Verde	Couvre Roues Vert	Radenkappe Grün	
8	384110168/1	1	White Wheels Cover	Copertura Ruote Bianco	Couvre-Roues Blanc	Radenkappe Weiß	
9	112735403/0	10	Screw	Vite	Vis	Schraube	
10	112735410/0	8	Screw	Vite	Vis	Schraube	
11	112523040/0	4	Washer	Rondella	Rondelle	Scheibe	
12	112727790/0	2	Screw	Vite	Vis	Schraube	
13	112437503/0	2	Plate	Piastrina	Plaquette	Plättchen	
15	112791213/1	2	Screw	Vite	Vis	Schraube	
16	112523040/0	2	Washer	Rondella	Rondelle	Scheibe	
17	112154510/0	2	Nut	Dado	Écrou	Mutter	
18	127047003/0	2	Bushing	Bussola	Douille	Buchse	
19	127430551/1	2	Spring	Molla	Ressort	Feder	
20	112691200/0	2	Screw	Vite	Vis	Schraube	
21	112523070/0	2	Washer	Rondella	Rondelle	Scheibe	



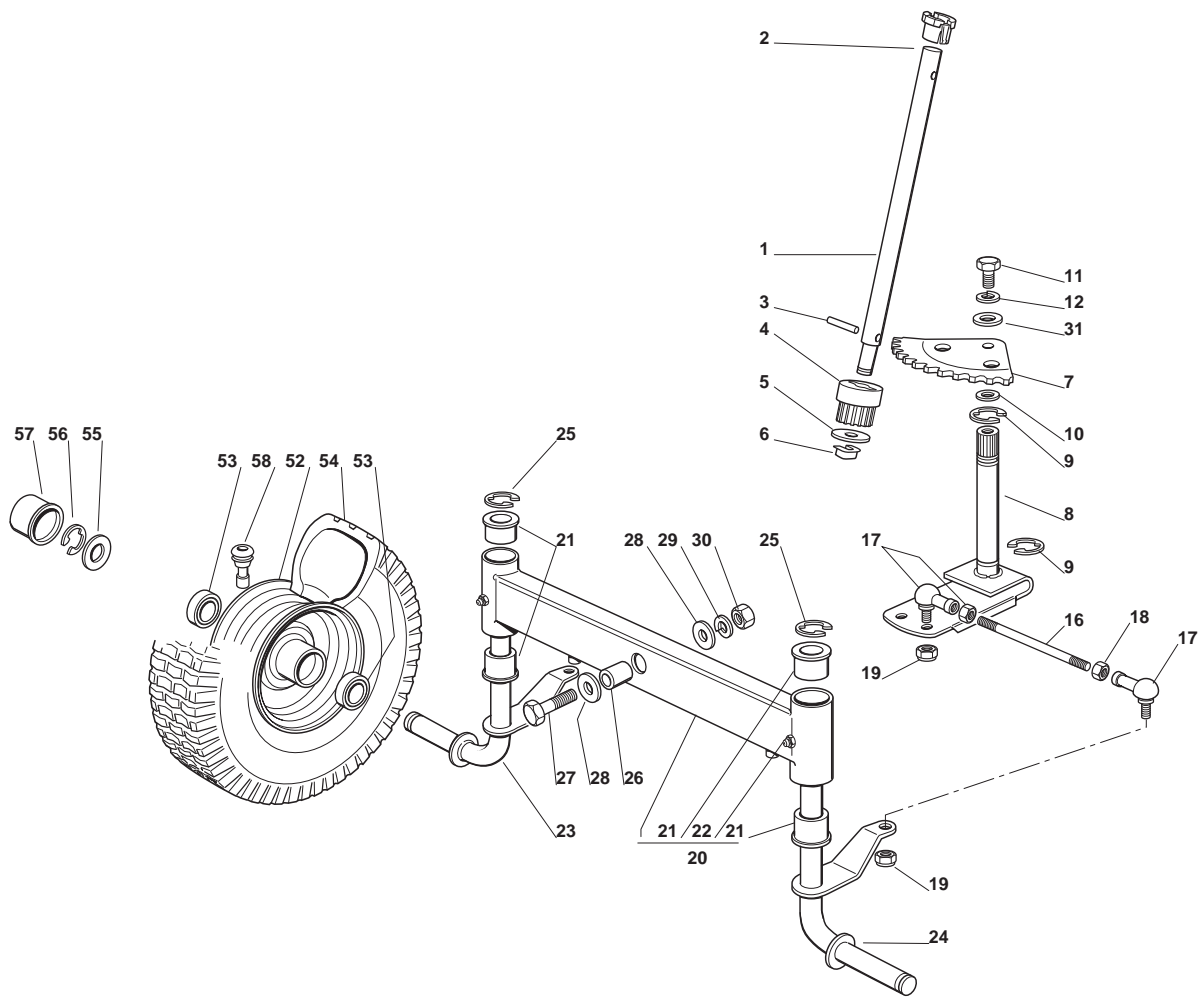
Body							
POS	CODE	Q.TY	DESCRIPTION	DESCRIZIONE	DESCRIPTION	BESCHREIBUNG	NOTES
22	112155000/0	2	Nut	Dado	Écrou	Mutter	
23	327546001/0	2	Plate	Piastrina	Plaquette	Platte	
24	112735402/0	4	Screw	Vite	Vis	Schraube	
25	327546003/0	2	Plate	Piastrina	Plaquette	Plättchen	
26	112735403/0	2	Screw	Vite	Vis	Schraube	
27	112729601/1	4	Screw	Vite	Vis	Schraube	
28	112521331/0	4	Washer	Rosetta	Rondelle	Scheibe	
29	127110304/0	1	Right Footboard Cover	Copripedana Destra	Couvre Marchepied Droit	Rechte Fussbrettdeckel	
30	127110305/0	1	Left Footboard Cover	Copripedana Sinistra	Couvre Marchepied Gauche	Linke Fussbrettdeckel	
50	112620299/0	1	Elastic Pin	Spina Elastica	Goupille	Stift	
51	125961201/0	1	Steering Wheel	Volante	Volant	Lenkrad	
52	325120230/0	1	Cover	Copertura	Couvre Roues	Radenkappe	
53	125961212/0	1	Steering Wheel	Volante	Volant	Lenkrad	
53	125961216/0	1	Steering Wheel	Volante	Volant	Lenkrad	
54	325580500/0	1	Cap	Tappo	Bouchon	Stopfen	
54	325580501/0	1	Cap	Tappo	Bouchon	Stopfen	
55	125961209/0	1	Steering Wheel	Volante	Volant	Lenkrad	
56	325580501/0	1	Cap	Tappo	Bouchon	Stopfen	
61	125722463/0	1	Seat	Sedile	Siege	Sitz	
62	125722453/1	1	Seat	Sedile	Siege	Sitz	
63	125722471/0	1	Seat	Sedile	Siege	Sitz	
64	125722456/0	1	Seat	Sedile	Siege	Sitz	
65	125722470/0	1	Seat	Sedile	Siege	Sitz	
71	125600020/0	1	Upper Guard	Protezione Superiore	Protection Superieur	Oberschutz	
72	125600021/1	1	Lower Guard	Protezione Inferiore	Protection Inferieur	Unterschutz	
73	112728460/0	2	Screw	Vite	Vis	Schraube	
74	112521320/0	2	Washer	Rosetta	Rondelle	Scheibe	
75	112437502/0	2	Plate	Piastrina	Plaquette	Plättchen	



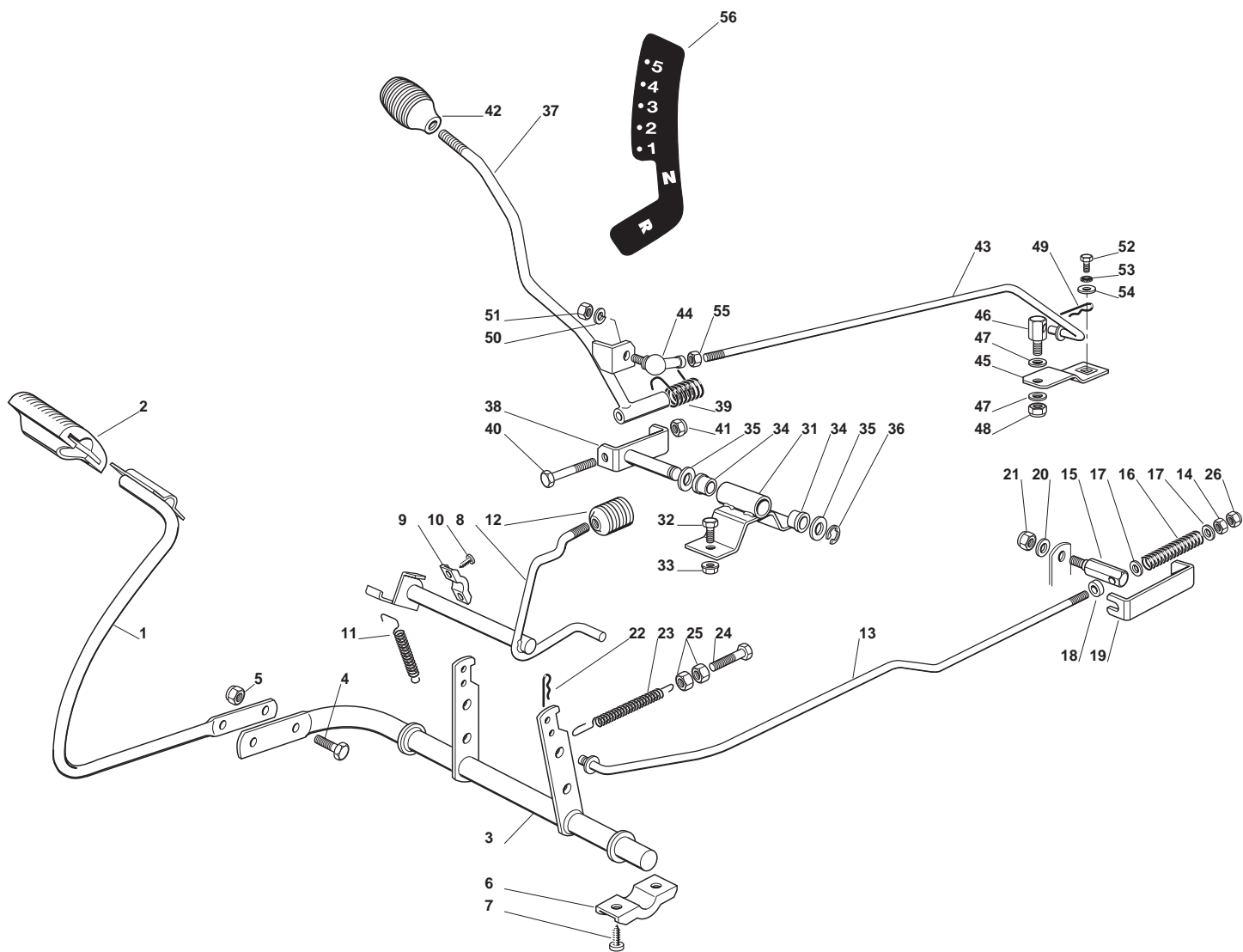
Frame							
POS	CODE	Q.TY	DESCRIPTION	DESCRIZIONE	DESCRIPTION	BESCHREIBUNG	NOTES
2	125034002/1	2	Bush	Boccola	Douille	Büchse	
3	384545057/3	1	Rear Plate	Piastra Posteriore	Plaque Arriere	Hintere Platte	
4	127037000/1	1	Pin	Perno	Pivot	Bolzen	
5	325547012/1	2	Plate	Piastra	Plaque	Platte	
6	112791213/1	8	Screw	Vite	Vis	Schraube	
7	112292102/0	8	Nut	Dado	Ecrou	Mutter	
8	384801127/0	1	Upper Seat Frame	Telaio Superiore Sedile	Chassis Superieur Siege	Obererrahmen Sitz	
9	112792611/0	4	Screw	Vite	Vis	Schraube	
10	112293201/0	4	Nut	Dado	Ecrou	Mutter	
11	384783027/0	1	Steering Column Support	Supporto Piantone	Support Tube De Direction	Lenkungsaeulehalter	
12	112792611/0	4	Screw	Vite	Vis	Schraube	
13	112293201/0	4	Nut	Dado	Ecrou	Mutter	
14	384801107/2	1	Footboard Support	Supporto Pedana	Support Marchepied	Fussbretthalter	
15	327787025/0	2	Support	Supporto	Support	Halter	
16	112792611/0	4	Screw	Vite	Vis	Schraube	
17	112293201/0	4	Nut	Dado	Ecrou	Mutter	
18	112735120/0	2	Screw	Vite	Vis	Schraube	
20	384040300/0	1	Rear Plate	Piastra Posteriore	Plaque Arriere	Hintere Platte	
23	112523060/0	1	Washer	Rondella	Rondelle	Scheibe	
24	112155000/0	1	Nut	Dado	Écrou	Mutter	
26	112379511/0	1	Grease Dispenser	Ingrassatore	Graisneur	Fettbüchse	
27	125034001/0	1	Brass	Bronzina	Coussinet	Büchse	
33	127430575/0	2	Spring	Molla	Ressort	Feder	
34	127943050/0	2	Screw	Vite	Vis	Schraube	
36	112293201/0	4	Nut	Dado	Ecrou	Mutter	
37	325122000/2	2	Spring	Molla	Ressort	Feder	
39	127430554/0	1	Spring	Molla	Ressort	Feder	
40	112735110/0	1	Screw	Vite	Vis	Schraube	
41	127294001/0	1	Rear Conveyor Guide	Convogliatore Guida	Guide Convoyeur Arriere	Hinterleitblechsatz	
42	112735120/0	1	Screw	Vite	Vis	Schraube	
43	112523040/0	1	Washer	Rondella	Rondelle	Scheibe	
45	127294002/0	1	Belt Guide	Guidacinghia Peerles	Guide De Courroie Peerles	Riemenführung Peerles	
46	112735110/0	2	Screw	Vite	Vis	Schraube	
47	327772095/0	1	Micro Handbrake Stirrup S	Supporto Micro Lama	Support	Halter	
48	112735105/0	2	Screw	Vite	Vis	Schraube	
51	127047012/0	2	Fast Release Bush Rider	Bussola Piolo Sgancio Rapido	Douille	Buchse	
52	127430577/0	2	Spring	Molla	Ressort	Feder	
53	325670008/1	4	Washer	Rondella	Rondelle Antifriccion	Scheibe	
54	112000955/0	2	Benzing Ring	Anello Benzing	Anneau Benzing	Ring Benzing	
55	184250053/0	1	Belt Guide	Guidacinghia	Guide De Courroie	Riemenführung	
56	112735110/0	1	Screw	Vite	Vis	Schraube	
81	325547033/1	1	Seat Plate	Piastra Sedile	Plaque Siege	Sitz Plättchen	
82	112793101/0	4	Screw	Vite	Vis	Schraube	
83	112583500/0	4	Grower	Grower	Grower	Grower	
84	112523060/0	4	Washer	Rondella	Rondelle	Scheibe	
85	127864052/1	1	Seat Fulcrum Rod	Perno Sedile	Pivot	Bolzen	
86	124487997/0	1	Cotter Pin	Copiglia	Goupille	Split	
87	327063021/1	1	Cam	Camma	Came	Nocken	
88	112789100/0	2	Screw	Vite	Vis	Schraube	
89	112523020/0	2	Washer	Rondella	Rondelle	Scheibe	
90	112154330/0	2	Low Nut	Dado	Écrou	Mutter	
91	125430247/0	1	Spring	Molla	Ressort	Feder	
92	112789000/0	1	Screw	Vite	Vis	Schraube	
93	112154330/0	1	Low Nut	Dado	Écrou	Mutter	



Frame with GGP Engine							
POS	CODE	Q.TY	DESCRIPTION	DESCRIZIONE	DESCRIPTION	BESCHREIBUNG	NOTES
2	125034002/1	2	Bush	Boccola	Douille	Büchse	
3	384545057/3	1	Rear Plate	Piastra Posteriore	Plaque Arriere	Hintere Platte	
4	127037000/1	1	Pin	Perno	Pivot	Bolzen	
5	325547012/1	2	Plate	Piastra	Plaque	Platte	
6	112791200/1	8	Screw	Vite	Vis	Schraube	
7	112292102/0	8	Nut	Dado	Ecrou	Mutter	
8	384801137/0	1	Upper Seat Frame	Telaio Superiore Sedile	Chassis Superieur Siege	Obererrahmen Sitz	
9	112792611/0	4	Screw	Vite	Vis	Schraube	
10	112293201/0	4	Nut	Dado	Ecrou	Mutter	
11	384783027/0	1	Steering Column Support	Supporto Piantone	Support Tube De Direction	Lenkungsaeulehalter	
12	112792611/0	4	Screw	Vite	Vis	Schraube	
13	112293201/0	4	Nut	Dado	Ecrou	Mutter	
14	384801107/2	1	Footboard Support	Supporto Pedana	Support Marchepied	Fussbretthalter	
15	327787025/0	2	Support	Supporto	Support	Halter	
16	112792611/0	4	Screw	Vite	Vis	Schraube	
17	112293201/0	4	Nut	Dado	Ecrou	Mutter	
18	112734995/0	2	Screw	Vite	Vis	Schraube	
20	384040300/0	1	Rear Plate	Piastra Posteriore	Plaque Arriere	Hintere Platte	
23	112523060/0	1	Washer	Rondella	Rondelle	Scheibe	
24	112155000/0	1	Nut	Dado	Écrou	Mutter	
26	112379511/0	1	Grease Dispenser	Ingrassatore	Graisneur	Fettbüchse	
27	125034001/0	1	Brass	Bronzina	Coussinet	Büchse	
33	127430575/0	2	Spring	Molla	Ressort	Feder	
34	127943050/0	2	Screw	Vite	Vis	Schraube	
35	112293200/0	1	Nut	Dado	Ecrou	Mutter	
36	112293201/0	4	Nut	Dado	Ecrou	Mutter	
37	325122000/2	2	Spring	Molla	Ressort	Feder	
39	127430554/0	1	Spring	Molla	Ressort	Feder	
40	112735110/0	1	Screw	Vite	Vis	Schraube	
41	127294001/0	1	Rear Conveyor Guide	Convogliatore Guida	Guide Convoyeur Arriere	Hinterleitblechsatz	
42	112735120/0	1	Screw	Vite	Vis	Schraube	
43	112523040/0	1	Washer	Rondella	Rondelle	Scheibe	
45	127294002/0	1	Belt Guide	Guidacachingia	Guide Courroie	Riemenführung	PEERLESS
46	112735110/0	2	Screw	Vite	Vis	Schraube	
47	327772095/0	1	Micro Handbrake Stirrup S	Supporto Micro Lama	Support	Halter	
48	112735105/0	2	Screw	Vite	Vis	Schraube	
51	127047012/0	2	Fast Release Bush Rider	Bussola Piolo Sgancio Rapido	Douille	Buchse	
52	127430577/0	2	Spring	Molla	Ressort	Feder	
53	325670008/1	4	Washer	Rondella	Rondelle Antifriccion	Scheibe	
54	112000955/0	2	Benzing Ring	Anello Benzing	Anneau Benzing	Ring Benzing	
55	184250053/0	1	Belt Guide	Guidacachingia	Guide De Courroie	Riemenführung	
56	112735110/0	1	Screw	Vite	Vis	Schraube	
61	112791200/1	1	Screw	Vite	Vis	Schraube	
62	112521340/0	1	Washer	Rondella	Rondelle	Scheibe	
63	125430239/1	1	Spring	Molla	Ressort	Feder	
64	112292102/0	1	Nut	Dado	Ecrou	Mutter	
71	127430581/0	1	Spring	Molla	Ressort	Feder	
72	384050500/0	1	Actuator	Attuatore	Actuateur	Aktuator	
73	327670056/0	1	Washer	Rosetta	Rondelle	Scheibe	
74	327790011/0	1	Cap	Tappo	Bouchon	Stopfen	
75	112609200/0	1	Seeger	Seeger	Seeger	Seeger	
76	184207106/0	1	Cable	Filo	Fil	Kabel	
81	325547033/1	1	Seat Plate	Piastra Sedile	Plaque Siege	Sitz Plättchen	
82	112793101/0	4	Screw	Vite	Vis	Schraube	
83	112583500/0	4	Grower	Grower	Grower	Grower	
84	112523060/0	4	Washer	Rondella	Rondelle	Scheibe	
85	127864052/1	1	Seat Fulcrum Rod	Perno Sedile	Pivot	Bolzen	
86	124487997/0	1	Cotter Pin	Copiglia	Goupille	Split	
87	327063021/1	1	Cam	Camma	Came	Nocken	
88	112789100/0	2	Screw	Vite	Vis	Schraube	
89	112523020/0	2	Washer	Rondella	Rondelle	Scheibe	
90	112154330/0	2	Low Nut	Dado	Écrou	Mutter	
91	125430247/0	1	Spring	Molla	Ressort	Feder	
92	112789000/0	1	Screw	Vite	Vis	Schraube	
93	112154330/0	1	Low Nut	Dado	Écrou	Mutter	

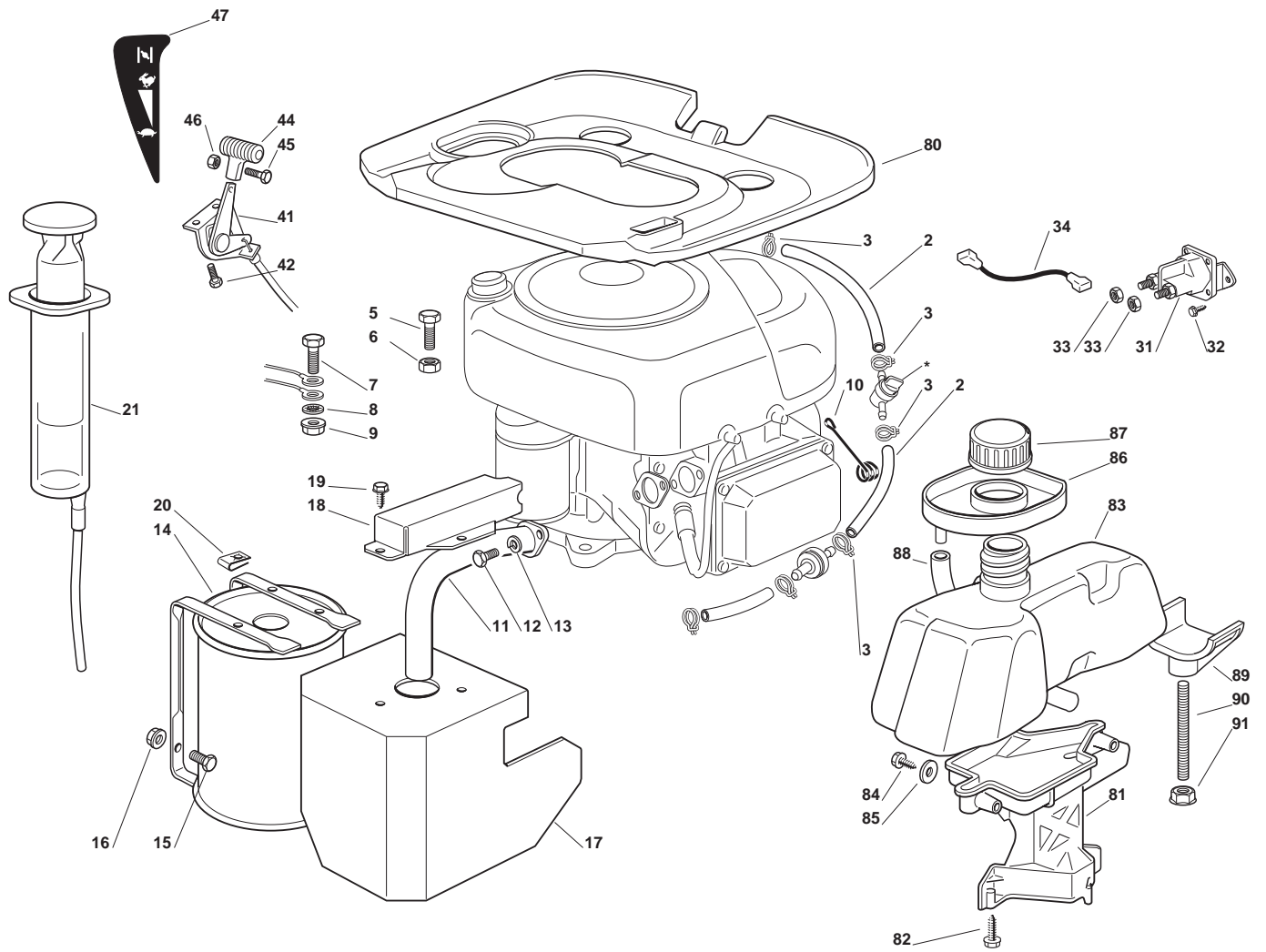


Steering Column							
POS	CODE	Q.TY	DESCRIPTION	DESCRIZIONE	DESCRIPTION	BESCHREIBUNG	NOTES
1	127520050/0	1	Steering Column	Piantone Sterzo	Tube De Direction	Lenkungsaeule	
2	325038004/0	1	Bush	Boccola	Douille	Büchse	
3	112622650/0	1	Pin	Spina	Goupille	Stift	
4	127570050/0	1	Pinion	Pignone	Pignon	Ritzel	
5	112521370/0	1	Washer	Rondella	Rondelle	Scheibe	
6	112436030/0	1	Plate	Piastrina	Plaquette	Plattechen	
7	384735551/0	1	Steering Sector	Settore Sterzo	Secteur Direction	Lenkkranz	
8	384000501/0	1	Shaft	Albero Sterzo	Arbre	Welle	
9	112001000/0	2	Benzing Ring	Anello Benzing	Anneau Benzing	Ring Benzing	
10	112520031/0		Washer	Rondella	Rondelle	Scheibe	
11	112793102/0	1	Screw	Vite	Vis	Schraube	
12	112583500/0	1	Grower	Grower	Grower	Grower	
16	127840050/0	2	Tie Rod	Tirante Colleg. Fuselli	Tirant	Spannstange	
17	122746609/0	4	Joint	Snodo	Joint	Gelenk	
18	112295201/0	2	Nut	Dado	Ecrou	Mutter	
19	112156602/0	4	Nut	Dado	Écrou	Mutter	
20	184034057/0	1	Complete Forecarriage Equalizer Ass.Y	Complete Forecarriage Equalizer Ass.Y	Complete Forecarriage Equalizer Ass.Y	Complete Forecarriage Equalizer Ass.Y	
21	125034002/1	4	Bush	Boccola	Douille	Büchse	
22	112379511/0	2	Grease Dispenser	Ingrassatore	Graisser	Fettbüchse	
23	384230401/0	1	Right Stub Axle	Fusello Destro	Fuseau Droit	Rechter Achsschenkel	
24	384230403/0	1	Left Stub Axle	Fusello Sinistro	Fuseau Gauche	Linker Achsschenkel	
25	112001000/0	2	Benzing Ring	Anello Benzing	Anneau Benzing	Ring Benzing	
26	125160016/0	1	Equalizer Spacer	Distanziale	Entretoise	Entfernungsstück	
27	112692695/0	1	Screw	Vite	Vis	Schraube	
28	112523100/0	2	Washer	Rondella	Rondelle	Scheibe	
29	112587100/0	1	Grower	Grower	Grower	Grower	
30	112295300/0	1	Nut	Dado	Ecrou	Mutter	
31	112521350/0	1	Washer	Rondella	Rondelle	Scheibe	
52	184044007/0	2	Rimm	Cerchio Ruota	Bandage Roue	Vorderrad Felger	
53	125122200/2	4	Bearing	Cuscinetto	Roulement	Lager	
54	127590050/0	2	Tyre	Pneumatico	Pneu Avant (Deli)	Reifen	
55	125670005/1	2	Washer	Rosetta	Rondelle	Scheibe	
56	112001000/0	2	Benzing Ring	Anello Benzing	Anneau Benzing	Ring Benzing	
57	122110230/0	2	Hub Cover	Coprizzo	Couvre Moyeu	Nabendeckel	
58	125950000/0	2	Valve	Valvola	Soupape	Ventil	

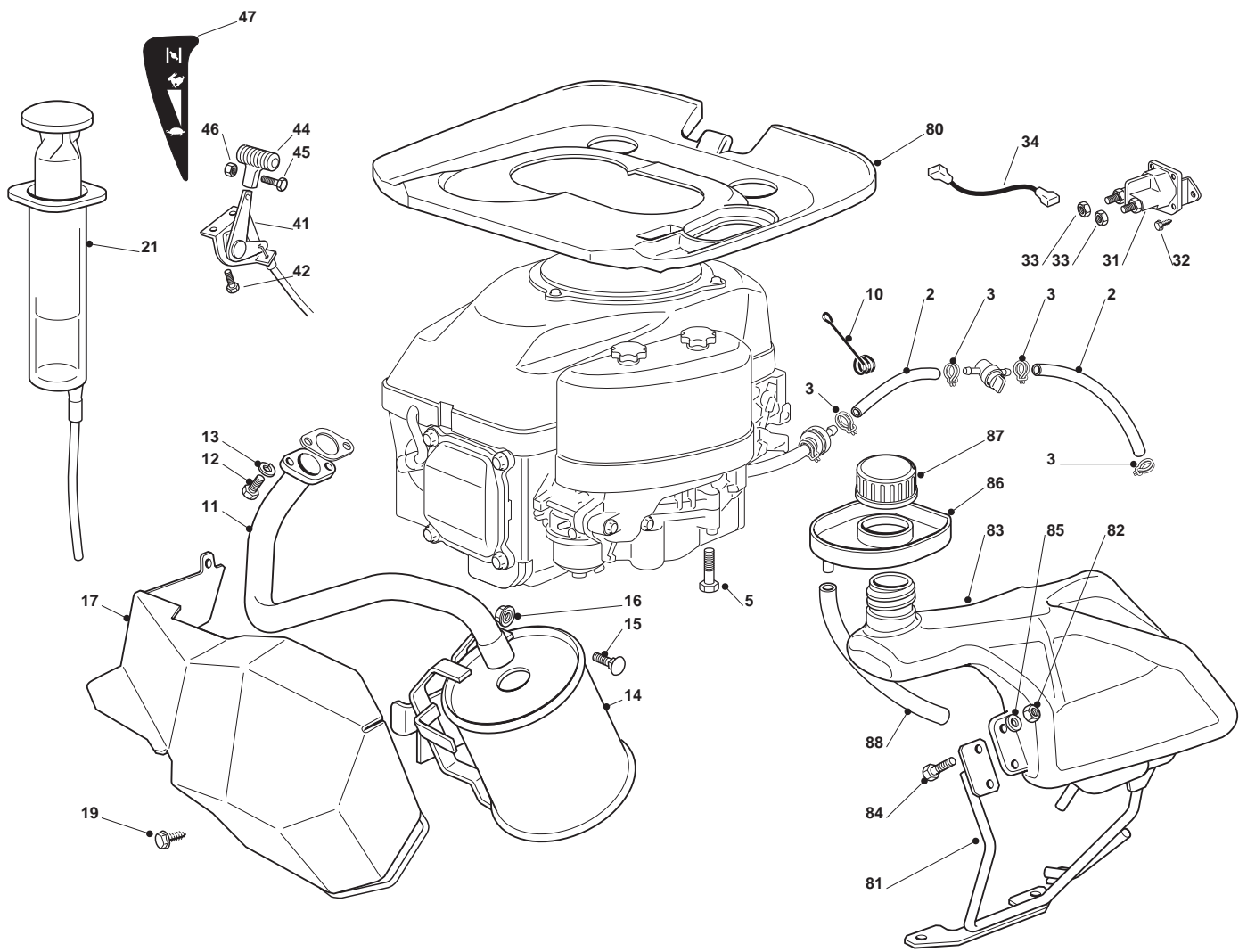


Brake And Gearbox Controls

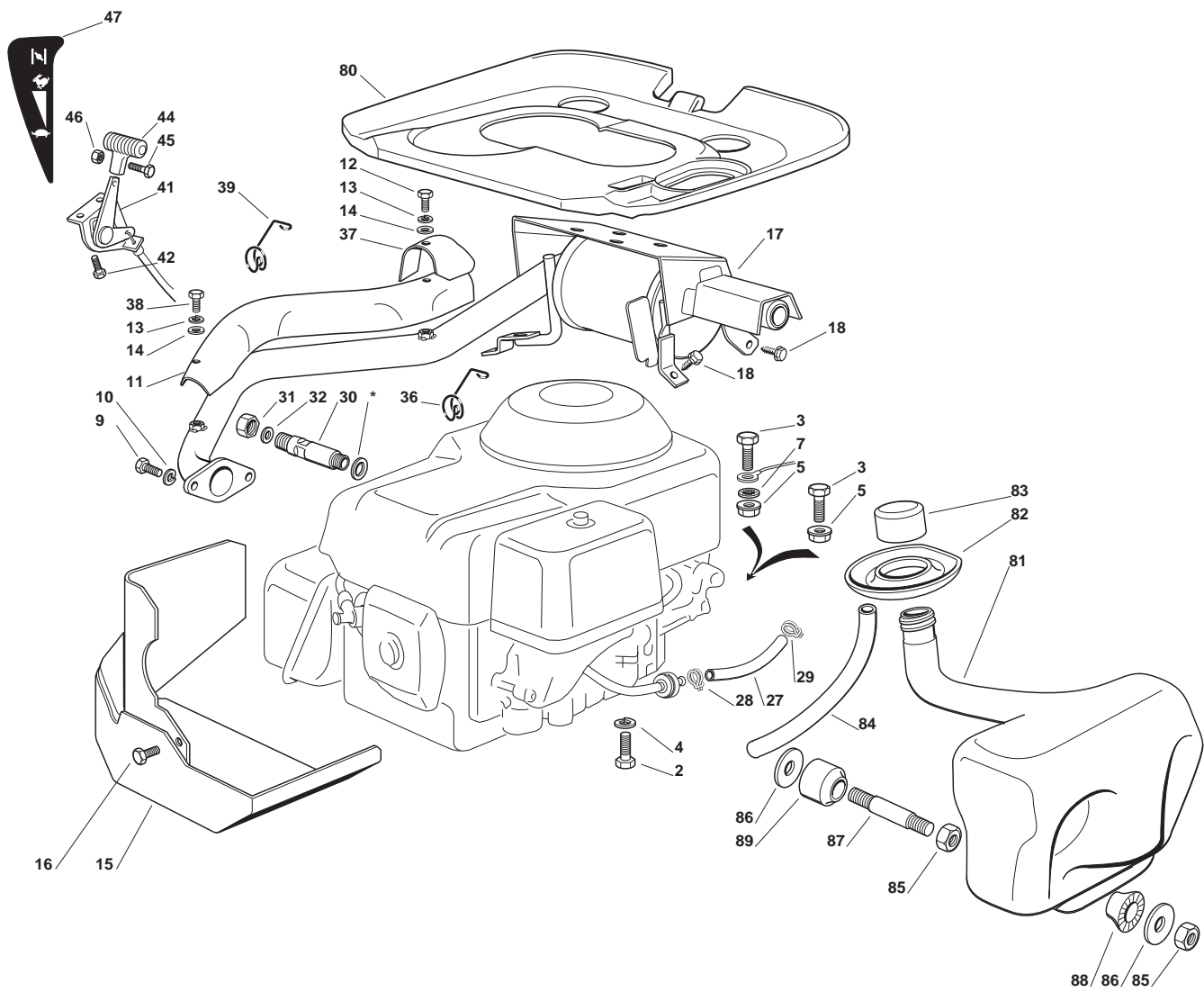
POS	CODE	Q.TY	DESCRIPTION	DESCRIZIONE	DESCRIPTION	BESCHREIBUNG	NOTES
1	384503001/0	1	Pedal	Pedale	Pedal	Pedal	
2	125110269/0	1	Clamp Cover	Copristaffa	Couvre Etrier	Bridedeckel	
3	384001015/1	1	Axle	Asse Freno	Axe	Achse	
4	112793301/0	2	Screw	Vite	Vis	Schraube	
5	112155000/0	2	Nut	Dado	Écrou	Mutter	
6	327546015/2	2	Plate	Piastrina	Plaque	Platte	
7	112731350/0	4	Screw	Vite	Vis	Schraube	
8	384001011/2	1	Axle	Asse Freno	Axe	Achse	
9	325547049/0	2	Plate	Piastrina	Plaquette	Plättchen	
10	112731601/0	4	Screw	Vite	Vis	Schraube	
11	127430552/0	1	Spring	Molla	Ressort Frein	Feder	
12	127395050/1	1	Knob	Manopolina	Poignee	Knopf	
13	127034060/0	1	Rod	Asta	Tige	Stange	
14	112293200/0	1	Nut	Dado	Ecrou	Mutter	
15	127510115/0	1	Pin	Perno	Pivot	Bolzen	
16	125430236/0	1	Spring	Molla	Ressort	Feder	
17	112521350/0	2	Washer	Rondella	Rondelle	Scheibe	
18	122171001/0	1	Spacer	Distanziale	Entretoise	Distanzring	
19	325774275/0	1	Clamp	Staffa	Etrier	Bride	
20	112523050/0	1	Washer	Rosetta	Rondelle	Scheibe	
21	112154510/0	1	Nut	Dado	Écrou	Mutter	
22	124487997/0	1	Cotter Pin	Copiglia	Goupille	Split	
23	125430220/0	1	Spring	Molla	Ressort	Feder	
24	122943005/0	1	Screw	Vite	Vis	Schraube	
25	112293200/0	2	Nut	Dado	Ecrou	Mutter	
26	112155000/0	1	Nut	Dado	Écrou	Mutter	
31	384773551/0	1	Clamp	Staffa	Etrier	Bride	
32	112793102/0	2	Screw	Vite	Vis	Schraube	
33	112293201/0	2	Nut	Dado	Ecrou	Mutter	
34	127047002/0	2	Bush	Bussola	Douille	Buchse	
35	112521370/0	2	Washer	Rondella	Rondelle	Scheibe	
36	112608600/0	1	Seeger	Seeger	Seeger	Seeger	
37	384317101/0	1	Lever, Speed Drive Control	Leva Comando Marce	Levier	Hebel, Gängeschaltun	
38	384773553/0	1	Clamp	Staffa	Etrier	Bride	
39	125430226/0	1	Spring	Molla	Ressort	Feder	
40	112692050/0	1	Screw	Vite	Vis	Schraube	
41	112155000/0	1	Nut	Dado	Écrou	Mutter	
42	182394508/0	1	Knob	Manopola	Poignee	Wechsel	
43	127034052/0	1	Rod	Asta	Barre	Stange	
44	122746610/0	1	Joint	Snodo	Joint	Gelenk	
45	327315077/0	1	Gearshift	Leva	Levier	Hebel	
46	125510040/1	1	Pin	Perno	Pivot	Bolzen	
47	325670011/0	2	Antifriction Washer	Rondella Antifrizione	Rondelle Antifricion	Antifricion Scheibe	
48	112155000/0	1	Nut	Dado	Écrou	Mutter	
49	124487997/0	1	Cotter Pin	Copiglia	Goupille	Split	
50	112583500/0	1	Grower	Grower	Grower	Grower	
51	112293200/0	1	Nut	Dado	Ecrou	Mutter	
52	112735520/0	1	Screw	Vite	Vis	Schraube	
53	112540040/0	1	Washer	Rosetta	Rondelle	Scheibe	
54	322680009/0	1	Washer	Rosetta	Rondelle	Scheibe	
55	112293200/0	1	Nut	Dado	Ecrou	Mutter	
56	114357426/0	1	Gear Label F72	Etichetta	Etiquette	Etikett	



Engine - B&S							
POS	CODE	Q.TY	DESCRIPTION	DESCRIZIONE	DESCRIPTION	BESCHREIBUNG	NOTES
2	325869035/1	2	Connecting Tube	Tubo Collegamento	Tube De Connexion	Verbindungsrohr	
3	118375051/1	4	Fair Led	Fascetta	Fixation De Cable	Kabelbefestigung	
5	112691100/0	3	Screw	Vite	Vis	Schraube	
6	112154210/0	3	Nut	Dado	Ecrou	Mutter	
7	112691115/0	1	Screw	Vite	Vis	Schraube	
8	112540260/0	1	Grower	Grower	Grower	Federring	
9	112154210/0	1	Nut	Dado	Ecrou	Mutter	
10	125430239/1	1	Spring	Molla	Ressort	Feder	
11	118738225/0	1	Exhaust Connecting Pipe	Exhaust Connecting Pipe	Exhaust Connecting Pipe	Exhaust Connecting Pipe	
12	112737450/0	2	Screw	Vite	Vis	Schraube	
13	112583500/0	2	Grower	Grower	Grower	Grower	
14	182750006/2	1	Muffler Imasaf	Silenziatore Imasaf	Silencieux Imasaf	Schalldämpfer Imasaf	
15	112793102/0	2	Screw	Vite	Vis	Schraube	
16	112154210/0	2	Nut	Dado	Ecrou	Mutter	
17	384598081/0	1	Muffler Protection	Protezione Silenziatore	Protection Silencieux	Auspuffschutz	
18	327600137/0	1	Protection	Protezione	Protection	Schutz	
19	112729601/1	3	Screw	Vite	Vis	Schraube	
20	112437504/0	3	Plate	Piastrina	Plaquette	Plättchen	
21	118718000/0	1	Oil Emptying Syringe	Oil Emptying Syringe	Oil Emptying Syringe	Oil Emptying Syringe	
31	118736110/0	1	Starter Relay	Relé Avviamento	Relais D'Allumage	Anlassrelais	
32	112735110/0	2	Screw	Vite	Vis	Schraube	
33	112360352/0	2	Nut	Dado	Ecrou	Mutter	
34	127065050/0	1	Cable	Cavo Batteria Solenoide	Cables	Kabel	
41	184000250/1	1	Accelerator	Acceleratore	Câble Accélérateur	Gas Zug	
42	125943012/0	2	Screw	Vite	Vis	Schraube	
44	125394501/0	1	Knob	Manopolina	Poignee	Knopf	
45	112726388/0	1	Screw	Vite	Vis	Schraube	
45	112726389/0	1	Screw	Vite	Vis	Schraube	
46	112290800/0	1	Nut	Dado	Ecrou	Mutter	
47	114357425/1	1	Label	Etichetta	Etiquette	Etikett	
80	327110306/2	1	Engine Cover Black	Copertura Motore Nero	Couvre Moteur Noir	Motorkappe Schwarz	
81	327787062/0	1	Support	Supporto	Support	Halter	
82	112735410/0	3	Screw	Vite	Vis	Schraube	
83	127733003/1	1	Tank	Serbatoio	Reservoir	Tank	
84	112735410/0	2	Screw	Vite	Vis	Schraube	
85	112523040/0	2	Washer	Rondella	Rondelle	Scheibe	
86	327600061/2	1	Guard	Protezione Benzina	Protection	Schutz	
87	125795000/1	1	Fuel Cap	Tappo Serbatoio	Bouchon Reservoir	Tank Einfüllstopfen	
88	325869014/1	1	Fuel Tube	Tubo Carburante	Tube Essence	Kraftstoffschlauch	
89	327787063/0	1	Support	Supporto	Support	Halter	
90	127510118/0	1	Pin	Perno	Goupille	Stift	
91	112293201/0	2	Nut	Dado	Ecrou	Mutter	

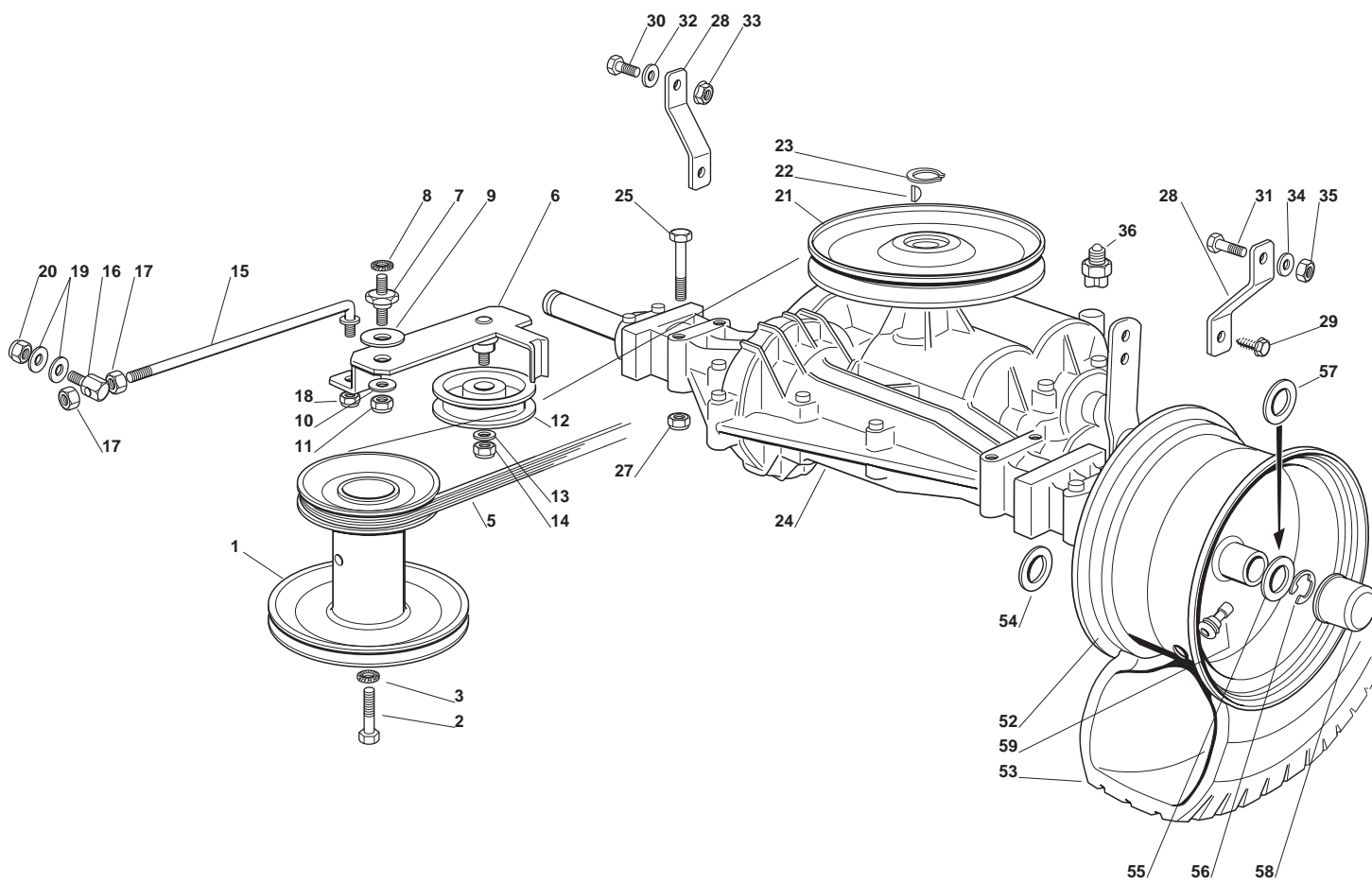


Engine - GGP							
POS	CODE	Q.TY	DESCRIPTION	DESCRIZIONE	DESCRIPTION	BESCHREIBUNG	NOTES
2	325869035/1	2	Connecting Tube	Tubo Collegamento	Tube De Connexion	Verbindungsrohr	
3	118375051/1	4	Fair Led	Fascetta	Fixation De Cable	Kabelbefestigung	
5	112735108/1	4	Screw	Vite	Vis	Schraube	
10	125430239/1	1	Spring	Molla	Ressort	Feder	
11	118738240/0	1	Exhaust Tube	Tubo Raccordo Scarico	Connexion Echappement	Krummer	
12	112737450/0	2	Screw	Vite	Vis	Schraube	
13	112583500/0	2	Grower	Grower	Grower	Grower	
14	118716133/0	1	Muffler	Silenziatore	Silencieux	Schalldämpfer	
15	112815210/0	2	Screw	Vite	Vis	Schraube	
16	112292102/0	2	Nut	Dado	Ecrou	Mutter	
17	384598093/0	1	Muffler Protection	Protezione Silenziatore	Protection Silencieux	Auspuffschutz	
19	112729601/1	2	Screw	Vite	Vis	Schraube	
21	118718000/0	1	Oil Emptying Syringe	Oil Emptying Syringe	Oil Emptying Syringe	Oil Emptying Syringe	
31	118736110/0	1	Starter Relay	Relé Avviamento	Relais D'Allumage	Anlassrelais	
32	112735110/0	2	Screw	Vite	Vis	Schraube	
33	112360352/0	2	Nut	Dado	Ecrou	Mutter	
34	127065050/0	1	Cable	Cavo Batteria Solenoide	Cables	Kabel	
41	184000250/1	1	Accelerator	Acceleratore	Câble Accélérateur	Gas Zug	
42	125943012/0	2	Screw	Vite	Vis	Schraube	
44	125394501/0	1	Knob	Manopolina	Poignee	Knopf	
45	112726388/0	1	Screw	Vite	Vis	Schraube	
45	112726389/0	1	Screw	Vite	Vis	Schraube	
46	112290800/0	1	Nut	Dado	Ecrou	Mutter	
47	114357425/1	1	Label	Etichetta	Etiquette daccélérateur	Etikett	
80	327110325/2	1	Engine Cover Black	Copertura Motore Nero	Couvre Moteur Noir	Motorkappe Schwarz	
81	384783049/0	1	Support	Supporto	Support	Halter	
82	112154510/0	3	Nut	Dado	Écrou	Mutter	
83	327733007/0	1	Tank	Serbatoio	Reservoir	Tank	
84	112791400/0	3	Screw	Vite	Vis	Schraube	
85	112521330/0	3	Washer	Rosetta	Rondelle	Scheibe	
85	112521331/0	3	Washer	Rosetta	Rondelle	Scheibe	
86	327600061/2	1	Guard	Protezione Benzina	Protection	Schutz	
87	125795000/1	1	Fuel Cap	Tappo Serbatoio	Bouchon Reservoir	Tank Einfüllstopfen	
88	325869014/1	1	Fuel Tube	Tubo Carburante	Tube Essence	Kraftstoffschlauch	

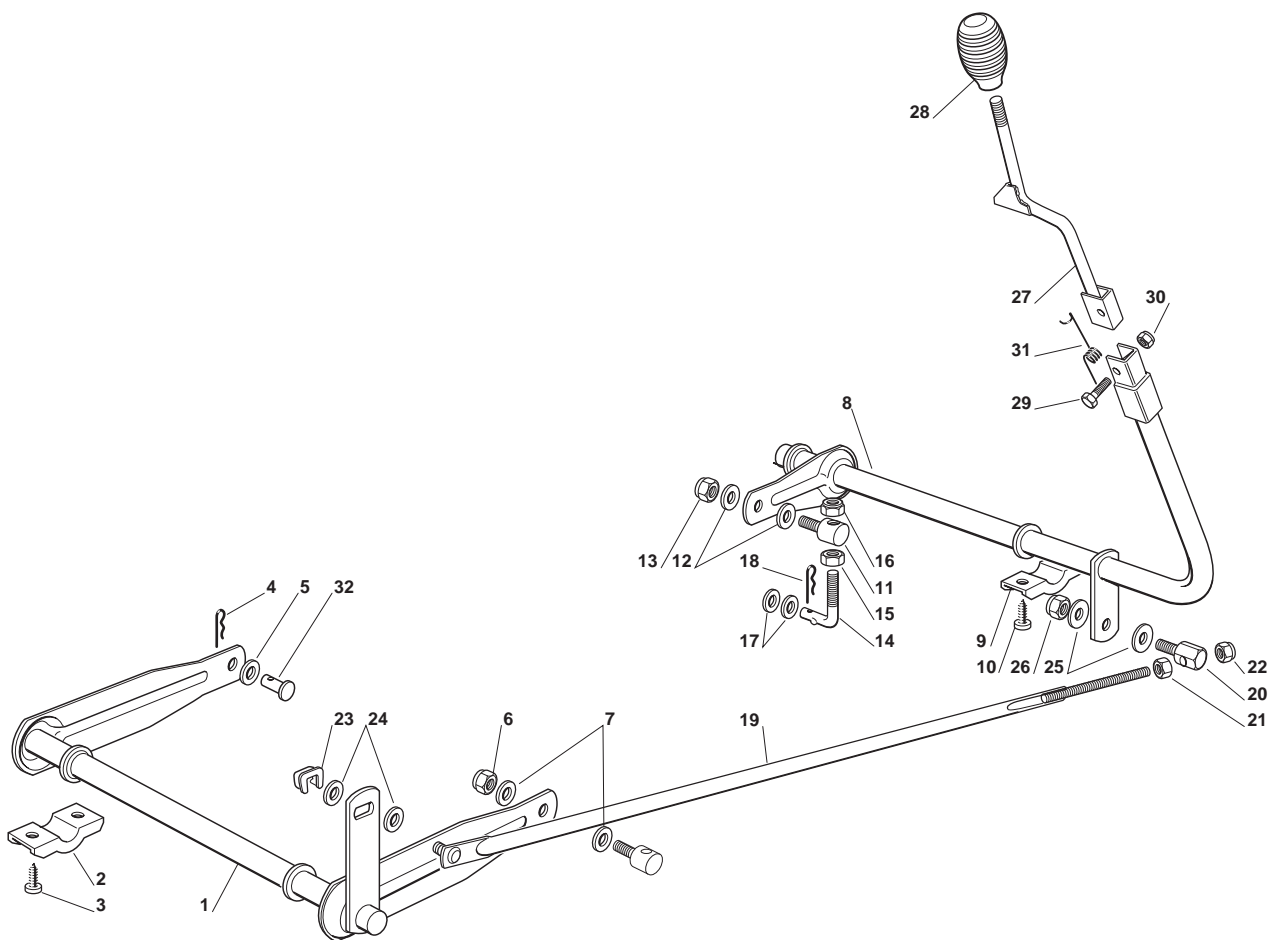


Engine - HONDA GXV 390

POS	CODE	Q.TY	DESCRIPTION	DESCRIZIONE	DESCRIPTION	BESCHREIBUNG	NOTES
2	112735802/0	2	Screw	Vite	Vis	Schraube	
3	112691100/0	2	Screw	Vite	Vis	Schraube	
4	112583500/0	2	Grower	Grower	Grower	Grower	
5	112154210/0	2	Nut	Dado	Ecrou	Mutter	
7	112540260/0	1	Grower	Grower	Grower	Federring	
9	112793102/0	2	Screw	Vite	Vis	Schraube	
10	112583500/0	2	Grower	Grower	Grower	Grower	
11	327600063/0	1	Raw Exhaust Link Tube Protec. Hf1211	Raw Exhaust Link Tube Protec. Hf1211	Raw Exhaust Link Tube Protec. Hf1211	Raw Exhaust Link Tube Protec. Hf1211	
12	112727794/0	1	Screw	Vite	Vis	Schraube	
13	112582100/0	2	Grower	Grower	Grower	Grower	
14	112521330/0	2	Washer	Rosetta	Rondelle	Scheibe	
15	384598055/0	1	Yellow Guard	Protezione Giallo	Tube Jaune	Rohr Gelb	
16	112735599/0	1	Screw	Vite	Vis	Schraube	
17	384750057/0	1	Muffler	Silenziatore	Silencieux	Schalldämpfer	
18	112735120/0	4	Screw	Vite	Vis	Schraube	
27	325869035/1	1	Connecting Tube	Tube Collegamento	Tube De Connexion	Verbindungsrohr	
28	118375051/1	1	Fair Led	Fascetta	Fixation De Cable	Kabelbefestigung	
29	118375053/0	1	Jeppe Pipe Clamp 8002014	Jeppe Pipe Clamp 8002014	Jeppe Pipe Clamp 8002014	Jeppe Pipe Clamp 8002014	
30	127598061/1	1	Oil Discharge Extension	Prolunga Scarico Olio	Rallonge Dechargement Huile	Öl Abfluss	
31	118737849/0	1	Plug	Tappo	Bouchon	Verschlussstopfen	
32	118401001/1	1	Oil Seal	Guarnizione	Garniture	Dichtung	
36	127430557/0	1	Spring	Molla	Ressort	Feder	
37	327600121/0	1	Exhaust Pipe Addition Protection	Exhaust Pipe Addition Protection	Exhaust Pipe Addition Protection	Exhaust Pipe Addition Protection	
38	112790500/0	1	Screw	Vite	Vis	Schraube	
39	127430582/0	1	Spring	Molla	Ressort	Feder	
41	184000251/1	1	Throttle Cable	Cavo Acceleratore	Câble Accélérateur	Gashebel Kabel	
42	125943012/0	2	Screw	Vite	Vis	Schraube	
44	125394501/0	1	Knob	Manopolina	Poignee	Knopf	
45	112726388/0	1	Screw	Vite	Vis	Schraube	
45	112726389/0	1	Screw	Vite	Vis	Schraube	
46	112290800/0	1	Nut	Dado	Ecrou	Mutter	
47	114357425/1	1	Label	Etichetta	Etiquette daccélérateur	Etikett	
80	327110325/2	1	Engine Cover Black	Copertura Motore Nero	Couvre Moteur Noir	Motorkappe Schwarz	
81	127733001/3	1	Fuel Tank	Serbatoio	Réservoir à carburant	Treibstofftank	
82	327600061/2	1	Guard	Protezione Benzina	Protection	Schutz	
83	125795000/1	1	Fuel Cap	Tappo Serbatoio	Bouchon Reservoir	Tank Einfüllstopfen	
84	325869014/1	1	Fuel Tube	Tube Carburante	Tube Essence	Kraftstoffschlauch	
85	112293200/0	4	Nut	Dado	Ecrou	Mutter	
86	112523070/0	4	Washer	Rondella	Rondelle	Scheibe	
87	127510098/0	2	Pin	Perno	Pivot	Bolzen	
88	112712000/0	2	Grommet	Gommino	Caoutchouc	Gummi	
89	112712001/0	2	Grommet	Gommino	Caoutchouc	Gummi	

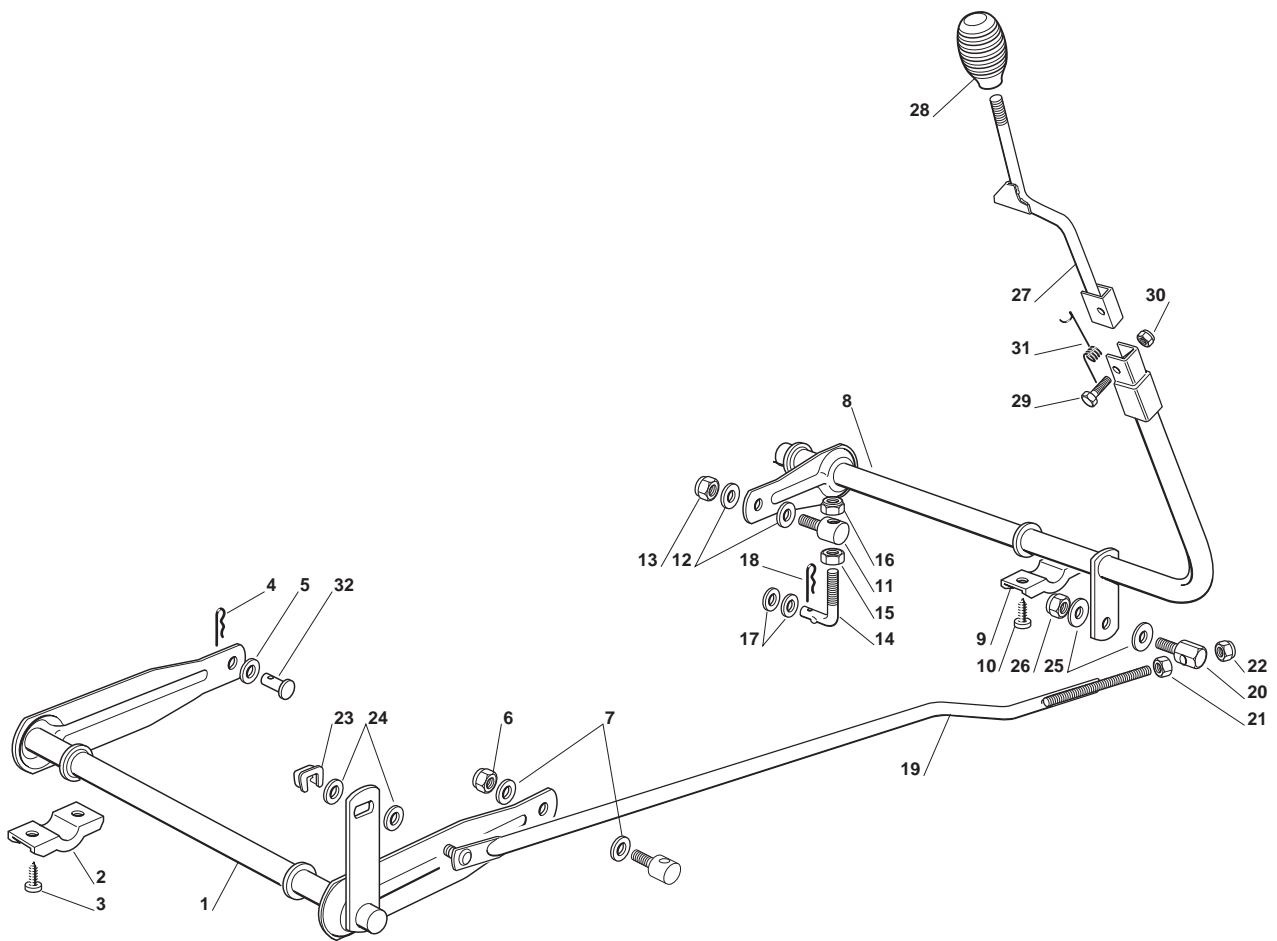


Transmission							
POS	CODE	Q.TY	DESCRIPTION	DESCRIZIONE	DESCRIPTION	BESCHREIBUNG	NOTES
1	127604003/1	1	Pulley	Puleggia	Poulie	Riemenscheibe	
2	112737310/0	1	Screw	Vite	Vis	Schraube	
3	112543000/0	1	Washer	Rosetta	Rondelle	Scheibe	
5	135061400/0	1	Trapezoidal Belt	Cinghia Trapezoidale	Courroie Trapézoïdale	Keilriemen	
6	384317055/1	1	Lever	Leva	Levier	Hebel	
7	127510096/0	1	Fulcrum Pin	Perno Fulcro	Pivot	Gelenkpunkt	
8	112540260/0	1	Grower	Grower	Grower	Federring	
9	322672151/0	1	Antifriction Washer	Rondella Antifrizione	Rondelle Antifricition	Anti Friktionswäscher	
10	325670011/0	1	Antifriction Washer	Rondella Antifrizione	Rondelle Antifricition	Antifriction Scheibe	
11	112155010/0	1	Nut	Dado	Écrou	Mutter	
12	125601554/0	1	Pulley	Puleggia	Poulie	Riemenscheibe	
13	112523060/0	1	Washer	Rondella	Rondelle	Scheibe	
14	112155000/0	1	Nut	Dado	Écrou	Mutter	
15	127034054/0	1	Tie Rod	Tirante	Tirant	Spannstange	
16	125510040/1	1	Pin	Perno	Pivot	Bolzen	
17	112293200/0	2	Nut	Dado	Ecrou	Mutter	
18	112155000/0	1	Nut	Dado	Écrou	Mutter	
19	325670011/0	2	Antifriction Washer	Rondella Antifrizione	Rondelle Antifricition	Antifriction Scheibe	
20	112155000/0	1	Nut	Dado	Écrou	Mutter	
21	182601509/0	1	Pulley	Puleggia	Poulie	Riemenscheibe	
22	112139430/0	1	Key	Linguetta	Clavette	Keil	
23	112608950/0	1	Seeger	Seeger	Seeger	Seeger	
24	118400915/2	1	Mech. Transaxkle Peerless	Gruppo Transaxle Peerless	Groupe Transmission Peerless	Transaxel	
25	112691800/0	4	Screw	Vite	Vis	Schraube	
27	112154210/0	4	Nut	Dado	Ecrou	Mutter	
28	327772067/0	2	Clamp	Staffa	Etrier	Bride	
29	125943009/0	2	Screw	Vite	Vis	Schraube	
30	112793102/0	1	Screw	Vite	Vis	Schraube	
31	112793301/0	1	Screw	Vite	Vis	Schraube	
32	112523060/0	1	Washer	Rondella	Rondelle	Scheibe	
33	112293201/0	1	Nut	Dado	Ecrou	Mutter	
34	112521350/0	1	Washer	Rondella	Rondelle	Scheibe	
35	112155000/0	1	Nut	Dado	Écrou	Mutter	
36	119410608/1	1	Neutral Switch	Micro Folle	Int. Boite De Vitesse	Leerlauf Mikrosch.	
52	184044013/0	2	Rimm	Cerchio Ruota	Bandage Roue	Hintrerrad Felger	
53	127590051/0	2	Tyre	Pneumatico	Pneu	Reifen	
54	112521410/0	2	Washer	Rosetta	Rondelle	Scheibe	
55	125670005/1	2	Washer	Rosetta	Rondelle	Scheibe	
56	112001010/0	2	Benzing Ring	Anello Benzing	Anneau Benzing	Ring Benzing	
57	112520010/0	4	Washer	Rondella	Rondelle	Scheibe	
58	122110230/0	2	Hub Cover	Coprizzo	Couvre Moyeu	Nabendeckel	
59	125950000/0	2	Valve	Vaivola	Soupape	Ventil	



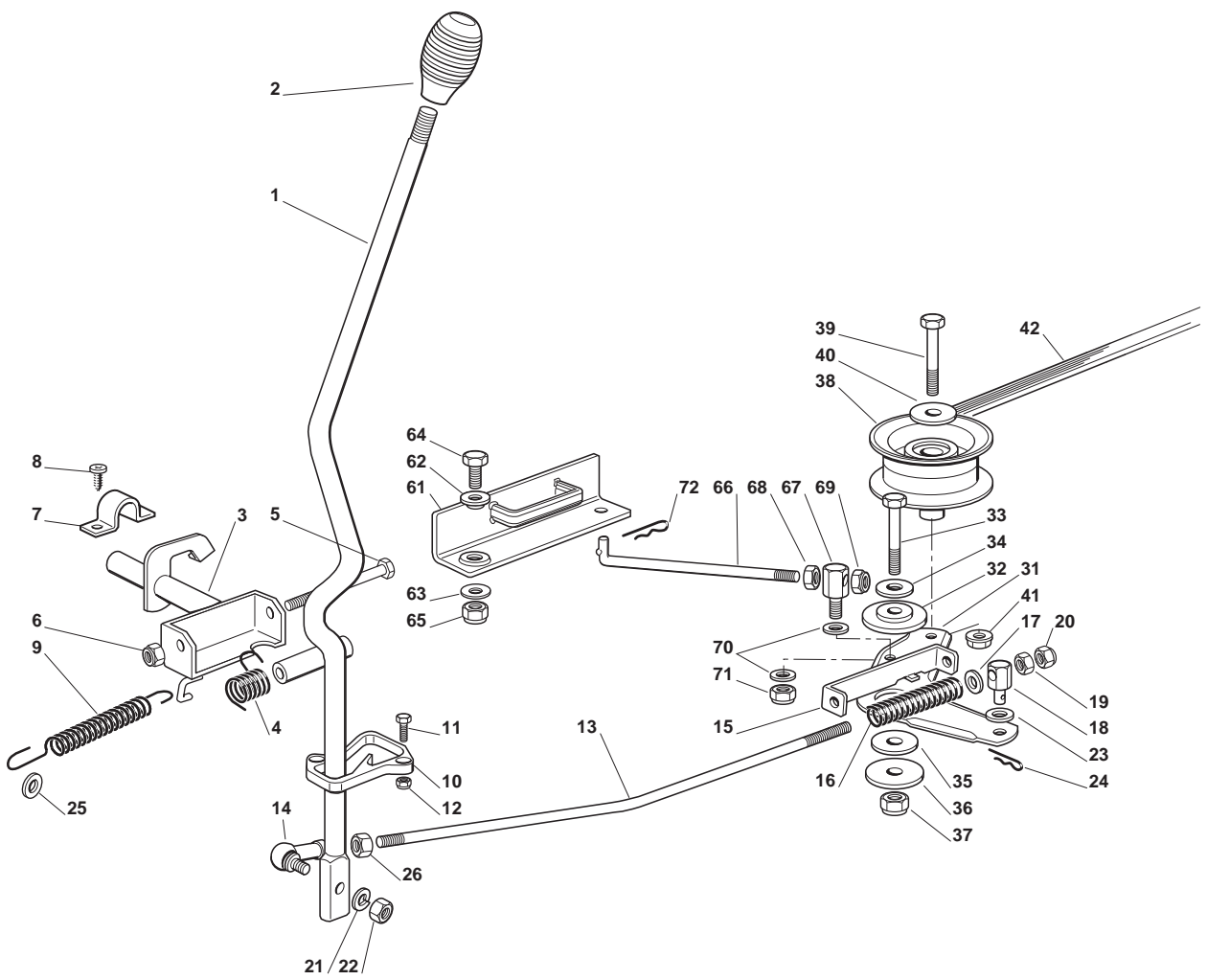
Cutting Plate Lifting - B&S Engines

POS	CODE	Q.TY	DESCRIPTION	DESCRIZIONE	DESCRIPTION	BESCHREIBUNG	NOTES
1	384001025/0	1	Front Deck Lifting Axle	Asse Sollevamento	Axe	Achse	
2	327546015/1	2	Plate	Piastrina	Plaque	Platte	
2	327546015/2	2	Plate	Piastrina	Plaque	Platte	
3	112731350/0	4	Screw	Vite	Vis	Schraube	
4	124487997/0	1	Cotter Pin	Copiglia	Goupille	Split	
5	325670008/1	1	Washer	Rondella	Rondelle Antifriction	Scheibe	
6	112156602/0	1	Nut	Dado	Écrou	Mutter	
7	325670008/1	2	Washer	Rondella	Rondelle Antifriction	Scheibe	
8	384001005/2	1	Fulcrum Axle	Asse Fulcro Piatto	Axe Point d'Appui	Achse	
9	327546015/1	2	Plate	Piastrina	Plaque	Platte	
9	327546015/2	2	Plate	Piastrina	Plaque	Platte	
10	112731350/0	4	Screw	Vite	Vis	Schraube	
11	125510007/2	1	Pin	Perno	Pivot	Bolzen	
12	325670008/1	2	Washer	Rondella	Rondelle Antifriction	Scheibe	
13	112156602/0	1	Nut	Dado	Écrou	Mutter	
14	125840003/2	1	Tie Rod	Tirante	Tirant	Spannstange	
15	112295200/0	1	Nut	Dado	Ecrou	Mutter	
16	112156602/0	1	Nut	Dado	Écrou	Mutter	
17	322672150/0	2	Antifriction Washer	Rondella Antifrizione	Rondelle Antifriction	Anti Friktionswäscher	
18	124487997/0	1	Cotter Pin	Copiglia	Goupille	Split	
19	184002051/0	1	Rod	Asta Collegamento	Tige	Stab	
20	125510040/1	1	Pin	Perno	Pivot	Bolzen	
21	112293200/0	1	Nut	Dado	Ecrou	Mutter	
22	112155000/0	1	Nut	Dado	Écrou	Mutter	
23	112436050/0	1	Plate	Piastrina	Plaquette	Plättchen	
24	325670011/0	2	Antifriction Washer	Rondella Antifrizione	Rondelle Antifriction	Antifriction Scheibe	
25	325670011/0	2	Antifriction Washer	Rondella Antifrizione	Rondelle Antifriction	Antifriction Scheibe	
26	112155000/0	1	Nut	Dado	Écrou	Mutter	
27	384317065/1	1	Lever	Leva Sollevamento	Levier	Hebel	
28	125394510/0	1	Knob	Manopola	Poignee	Knopf	
29	112674700/0	1	Screw	Vite	Vis	Schraube	
30	112154510/0	1	Nut	Dado	Écrou	Mutter	
31	127430555/0	1	Spring	Molla	Ressort	Feder	
32	127510114/0	1	Pin	Perno	Pivot	Bolzen	

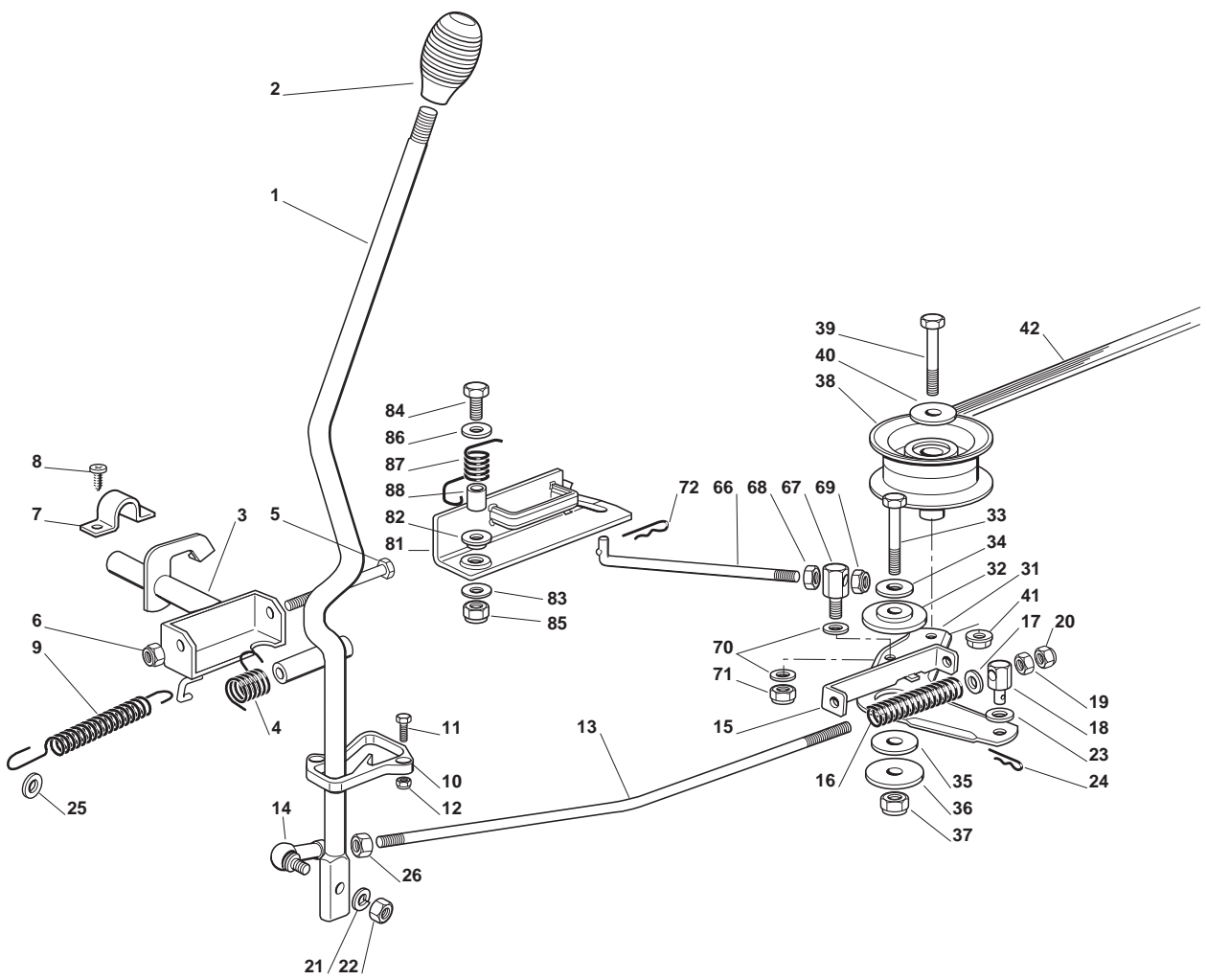


Cutting Plate Lifting - GGP Engines

POS	CODE	Q.TY	DESCRIPTION	DESCRIZIONE	DESCRIPTION	BESCHREIBUNG	NOTES
1	384001025/0	1	Front Deck Lifting Axle	Asse Sollevamento	Axe	Achse	
2	327546015/1	2	Plate	Piastrina	Plaque	Platte	
2	327546015/2	2	Plate	Piastrina	Plaque	Platte	
3	112731350/0	4	Screw	Vite	Vis	Schraube	
4	124487997/0	1	Cotter Pin	Copiglia	Goupille	Split	
5	325670008/1	1	Washer	Rondella	Rondelle Antifriction	Scheibe	
6	112156602/0	1	Nut	Dado	Écrou	Mutter	
7	325670008/1	2	Washer	Rondella	Rondelle Antifriction	Scheibe	
8	384001005/2	1	Fulcrum Axle	Asse Fulcro Piatto	Axe Point d'Appui	Achse	
9	327546015/1	2	Plate	Piastrina	Plaque	Platte	
9	327546015/2	2	Plate	Piastrina	Plaque	Platte	
10	112731350/0	4	Screw	Vite	Vis	Schraube	
11	125510007/2	1	Pin	Perno	Pivot	Bolzen	
12	325670008/1	2	Washer	Rondella	Rondelle Antifriction	Scheibe	
13	112156602/0	1	Nut	Dado	Écrou	Mutter	
14	125840003/2	1	Tie Rod	Tirante	Tirant	Spannstange	
15	112295200/0	1	Nut	Dado	Ecrou	Mutter	
16	112156602/0	1	Nut	Dado	Écrou	Mutter	
17	322672150/0	2	Antifriction Washer	Rondella Antifrizione	Rondelle Antifriction	Anti Frikationswäscher	
18	124487997/0	1	Cotter Pin	Copiglia	Goupille	Split	
19	184002089/0	1	Rod	Asta	Tige	Stange	
20	125510040/1	1	Pin	Perno	Pivot	Bolzen	
21	112293200/0	1	Nut	Dado	Ecrou	Mutter	
22	112155000/0	1	Nut	Dado	Écrou	Mutter	
23	112436050/0	1	Plate	Piastrina	Plaquette	Plättchen	
24	325670011/0	2	Antifriction Washer	Rondella Antifrizione	Rondelle Antifriction	Antifriction Scheibe	
25	325670011/0	2	Antifriction Washer	Rondella Antifrizione	Rondelle Antifriction	Antifriction Scheibe	
26	112155000/0	1	Nut	Dado	Écrou	Mutter	
27	384317065/1	1	Lever	Leva Sollevamento	Levier	Hebel	
28	125394510/0	1	Knob	Manopola	Poignee	Knopf	
29	112674700/0	1	Screw	Vite	Vis	Schraube	
30	112154510/0	1	Nut	Dado	Écrou	Mutter	
31	127430555/0	1	Lifting Deck Engage Spring	Molla	Ressort	Feder	
32	127510114/0	1	Pin	Perno	Pivot	Bolzen	

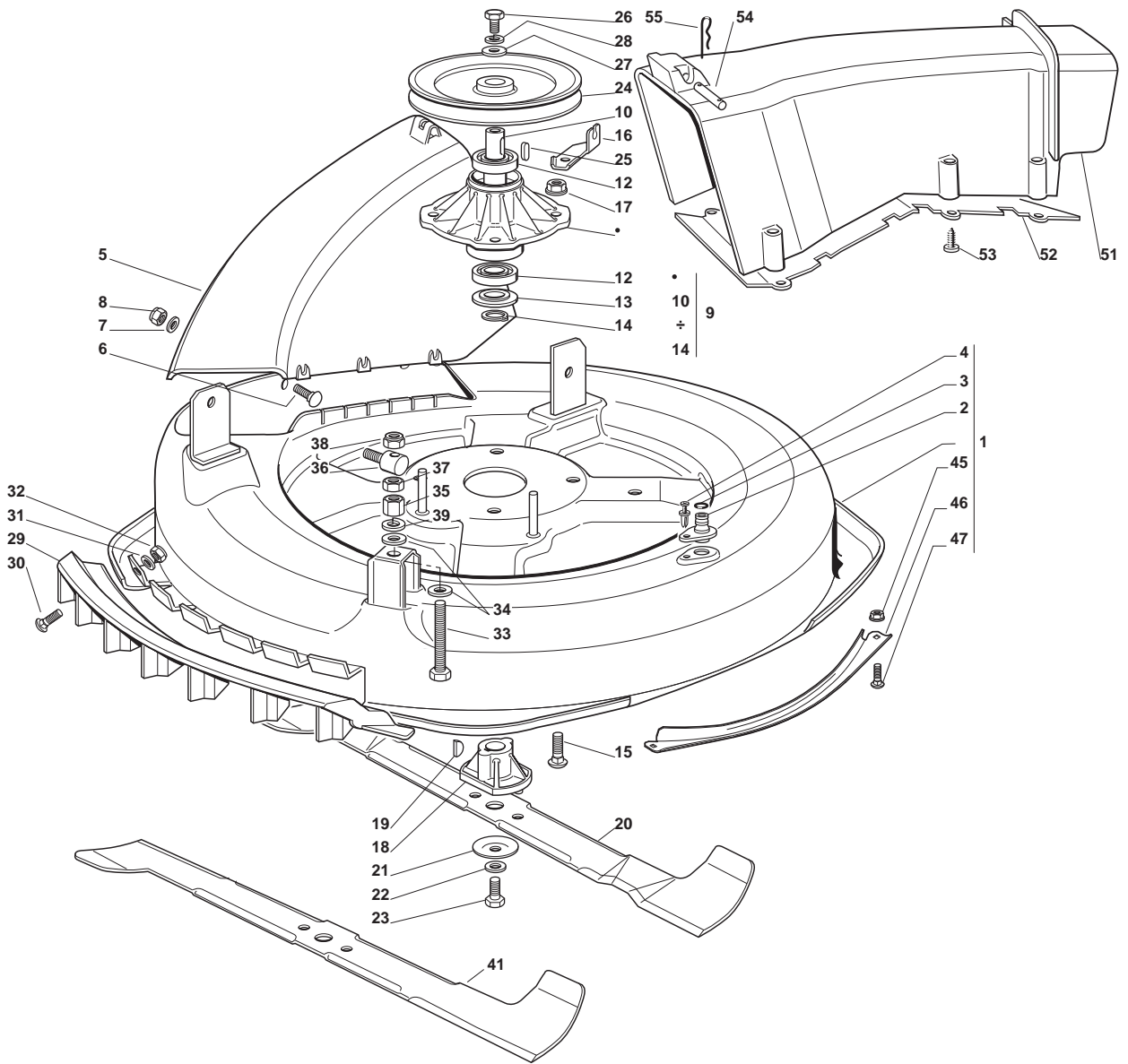


Blades Engagement							
POS	CODE	Q.TY	DESCRIPTION	DESCRIZIONE	DESCRIPTION	BESCHREIBUNG	NOTES
1	184317069/0	1	Lever	Leva	Levier	Hebel	
1	184317069/1	1	Lever	Leva	Levier	Hebel	
2	125394510/0	1	Knob	Manopola	Poignee	Knopf	
3	384001007/0	1	Blade Eng.Axle Control Ass.Y	Asse Comando Innesto Lame	Axe Commande Embrayage Lame	Blade Eng.Axle Control Ass.Y	
4	125430226/0	1	Spring	Molla	Ressort	Feder	
5	112692050/0	1	Screw	Vite	Vis	Schraube	
6	112155000/0	1	Nut	Dado	Écrou	Mutter	
7	325547049/0	2	Plate	Piastrina	Plaquette	Plättchen	
8	112731601/0	4	Screw	Vite	Vis	Schraube	
9	127430571/0	1	Spring	Molla	Ressort	Feder	
10	127487000/0	1	Shoe	Pattino	Bloc De Glissement	Gleitblock	
11	112791200/1	2	Screw	Vite	Vis	Schraube	
11	112791213/1	2	Screw	Vite	Vis	Schraube	
12	112154510/0	2	Nut	Dado	Écrou	Mutter	
13	127034078/0	1	Rod	Asta	Tige	Stab	
14	122746610/0	1	Joint	Snodo	Joint	Gelenk	
15	327772143/0	1	Clamp	Staffa	Etrier	Bride	
16	127430576/0	1	Spring	Molla	Ressort	Feder	
17	112521350/0	1	Washer	Rondella	Rondelle	Scheibe	
18	127510113/0	1	Pin	Perno	Pivot	Bolzen	
19	112293200/0	1	Nut	Dado	Ecrou	Mutter	
20	112155000/0	1	Nut	Dado	Écrou	Mutter	
21	112583500/0	1	Grower	Grower	Grower	Grower	
22	112293200/0	1	Nut	Dado	Ecrou	Mutter	
23	325670008/1	1	Washer	Rondella	Rondelle Antifriction	Scheibe	
24	124487997/0	1	Cotter Pin	Copiglia	Goupille	Split	
25	125670006/0	1	Washer	Rosetta	Rondelle	Scheibe	
26	112293200/0	1	Nut	Dado	Ecrou	Mutter	
31	384317083/0	1	Lever	Leva	Levier	Hebel	
32	127047000/0	1	Bush	Bussola	Douille	Büchse	
33	112691200/0	1	Screw	Vite	Vis	Schraube	
34	112523060/0	1	Washer	Rondella	Rondelle	Scheibe	
35	322672152/0	1	Antifriction Washer	Rondella Antifrizione	Rondelle Antifriction	Anti Friktionswäscher	
36	112523070/0	1	Washer	Rondella	Rondelle	Scheibe	
37	112155000/0	1	Nut	Dado	Écrou	Mutter	
38	127604008/0	1	Pulley	Puleggia	Poulie	Riemenscheibe	
39	112691600/0	1	Screw	Vite	Vis	Schraube	
40	112523060/0	1	Washer	Rondella	Rondelle	Scheibe	
41	112293201/0	1	Nut	Dado	Ecrou	Mutter	
42	135061423/0	1	Belt	Cinghia	Courroie	Riemen	
61	384220501/0	1	Brake	Freno Lama	Frein	Bremse	
62	122041980/0	1	Bush	Bussola	Douille	Büchse	
63	322672152/0	1	Antifriction Washer	Rondella Antifrizione	Rondelle Antifriction	Anti Friktionswäscher	
64	112793102/0	1	Screw	Vite	Vis	Schraube	
65	112155010/0	1	Nut	Dado	Écrou	Mutter	
66	127034077/0	1	Rod	Asta	Barre	Stange	
67	125510040/1	1	Pin	Perno	Pivot	Bolzen	
68	112293200/0	1	Nut	Dado	Ecrou	Mutter	
69	112155000/0	1	Nut	Dado	Écrou	Mutter	
70	325670011/0	2	Antifriction Washer	Rondella Antifrizione	Rondelle Antifriction	Antifriction Scheibe	
71	112155000/0	1	Nut	Dado	Écrou	Mutter	
72	124487997/0	1	Cotter Pin	Copiglia	Goupille	Split	

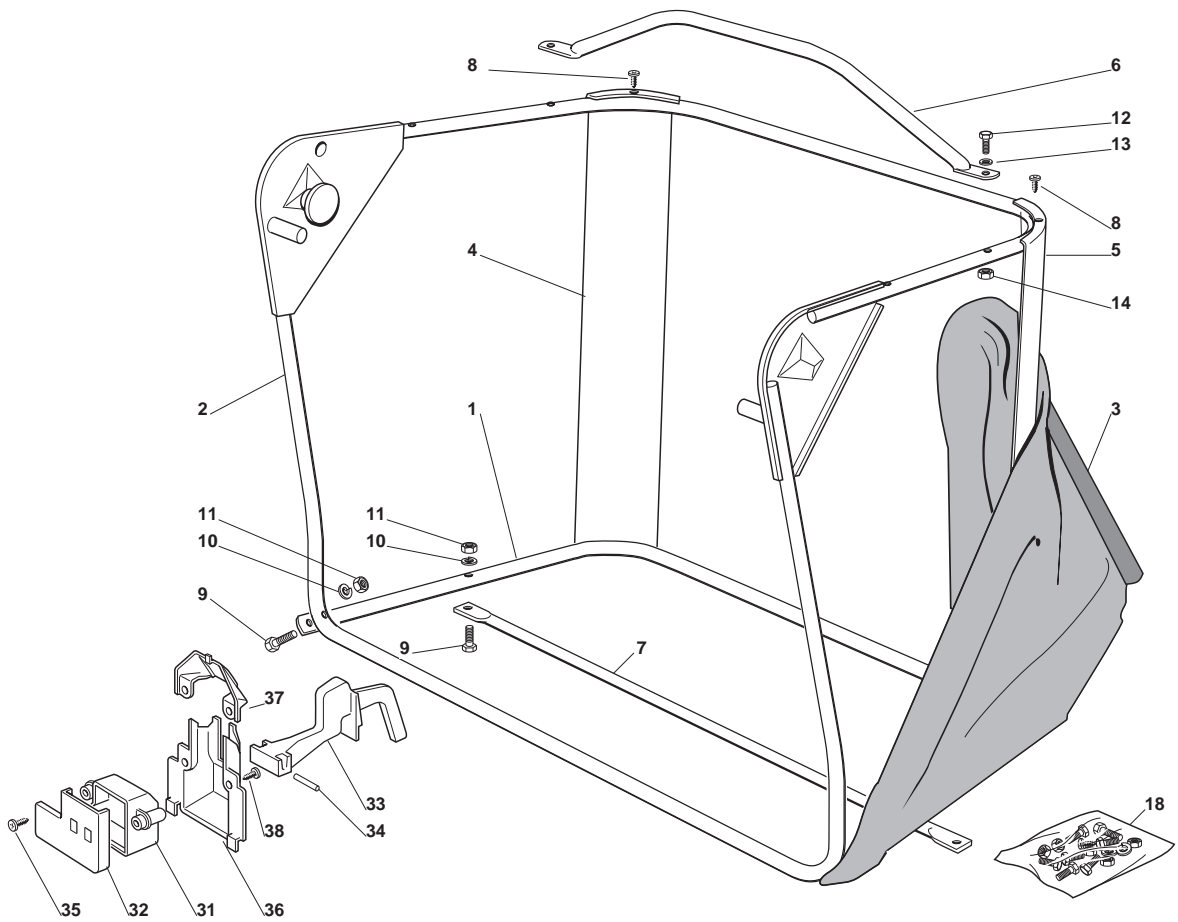


Blades Engagement - GGP Engine

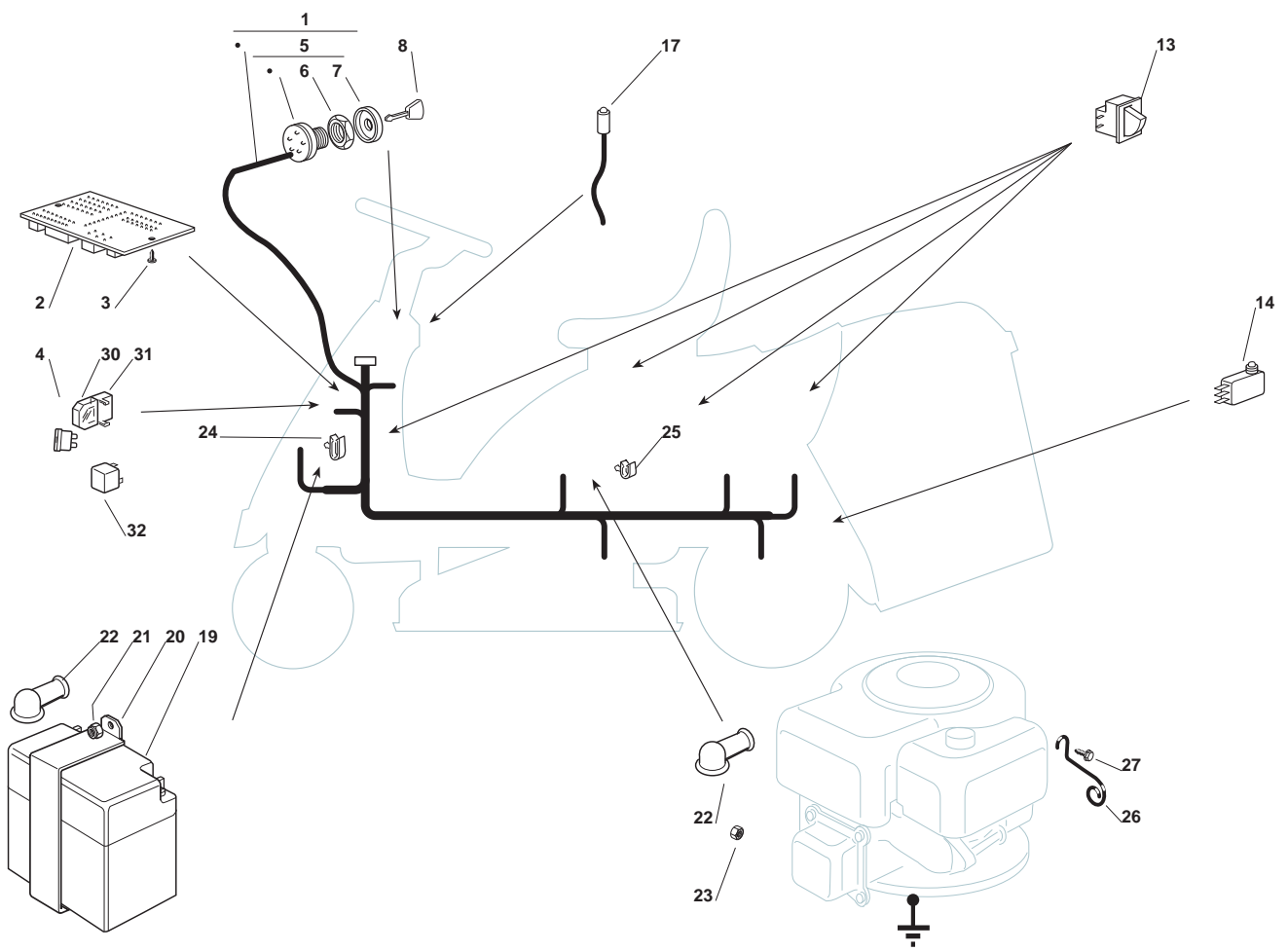
POS	CODE	Q.TY	DESCRIPTION	DESCRIZIONE	DESCRIPTION	BESCHREIBUNG	NOTES
1	184317069/0	1	Lever	Leva	Levier	Hebel	
1	184317069/1	1	Lever	Leva	Levier	Hebel	
2	125394510/0	1	Knob	Manopola	Poignee	Knopf	
3	384001007/0	1	Blade Eng.Axle Control Ass.Y	Asse Comando Inneato Lame	Axe Comande Embrayage Lame	Blade Eng.Axle Control Ass.Y	
4	125430226/0	1	Spring	Molla	Ressort	Feder	
5	112692050/0	1	Screw	Vite	Vis	Schraube	
6	112155000/0	1	Nut	Dado	Écrou	Mutter	
7	325547049/0	2	Plate	Piastrina	Plaquette	Plättchen	
8	112731601/0	4	Screw	Vite	Vis	Schraube	
9	127430571/0	1	Spring	Molla	Ressort	Feder	
10	127487000/0	1	Shoe	Pattino	Bloc De Glissement	Gleitblock	
11	112791200/1	2	Screw	Vite	Vis	Schraube	
11	112791213/1	2	Screw	Vite	Vis	Schraube	
12	112154510/0	2	Nut	Dado	Écrou	Mutter	
13	127034078/0	1	Rod	Asta	Tige	Stab	
14	122746610/0	1	Joint	Snodo	Joint	Gelenk	
15	327772143/0	1	Clamp	Staffa	Etrier	Bride	
16	127430576/0	1	Spring	Molla	Ressort	Feder	
17	112521350/0	1	Washer	Rondella	Rondelle	Scheibe	
18	127510113/0	1	Pin	Perno	Pivot	Bolzen	
19	112293200/0	1	Nut	Dado	Ecrou	Mutter	
20	112155000/0	1	Nut	Dado	Écrou	Mutter	
21	112583500/0	1	Grower	Grower	Grower	Grower	
22	112293200/0	1	Nut	Dado	Ecrou	Mutter	
23	325670008/1	1	Washer	Rondella	Rondelle Antifriction	Scheibe	
24	124487997/0	1	Cotter Pin	Copiglia	Goupille	Split	
25	125670006/0	1	Washer	Rosetta	Rondelle	Scheibe	
26	112293200/0	1	Nut	Dado	Ecrou	Mutter	
31	384317083/0	1	Lever	Leva	Levier	Hebel	
32	127047000/0	1	Bush	Bussola	Douille	Büchse	
33	112691200/0	1	Screw	Vite	Vis	Schraube	
34	112523060/0	1	Washer	Rondella	Rondelle	Scheibe	
35	322672152/0	1	Antifriction Washer	Rondella Antifrizione	Rondelle Antifriction	Anti Friktionswäscher	
36	112523070/0	1	Washer	Rondella	Rondelle	Scheibe	
37	112155000/0	1	Nut	Dado	Écrou	Mutter	
38	127604008/0	1	Pulley	Puleggia	Poulie	Riemenscheibe	
39	112691600/0	1	Screw	Vite	Vis	Schraube	
40	112523060/0	1	Washer	Rondella	Rondelle	Scheibe	
41	112293201/0	1	Nut	Dado	Ecrou	Mutter	
42	135061423/0	1	Belt	Cinghia	Courroie	Riemen	
66	127034077/0	1	Rod	Asta	Barre	Stange	
67	125510040/1	1	Pin	Perno	Pivot	Bolzen	
68	112293200/0	1	Nut	Dado	Ecrou	Mutter	
69	112155000/0	1	Nut	Dado	Écrou	Mutter	
70	325670011/0	2	Antifriction Washer	Rondella Antifrizione	Rondelle Antifriction	Antifriction Scheibe	
71	112155000/0	1	Nut	Dado	Écrou	Mutter	
72	124487997/0	1	Cotter Pin	Copiglia	Goupille	Split	
81	384220503/0	1	Brake Blade	Disco Freno	Disque Frein	Bremsband	
82	122041980/0	1	Bush	Bussola	Douille	Büchse	
83	322672152/0	1	Antifriction Washer	Rondella Antifrizione	Rondelle Antifriction	Anti Friktionswäscher	
84	112691115/0	1	Screw	Vite	Vis	Schraube	
85	112155010/0	1	Nut	Dado	Écrou	Mutter	
86	112521350/0	1	Washer	Rondella	Rondelle	Scheibe	
87	127430566/0	1	Spring	Molla	Ressort	Feder	
88	127160057/0	1	Spacer	Distanziale	Entretoise	Entfernungsstück	



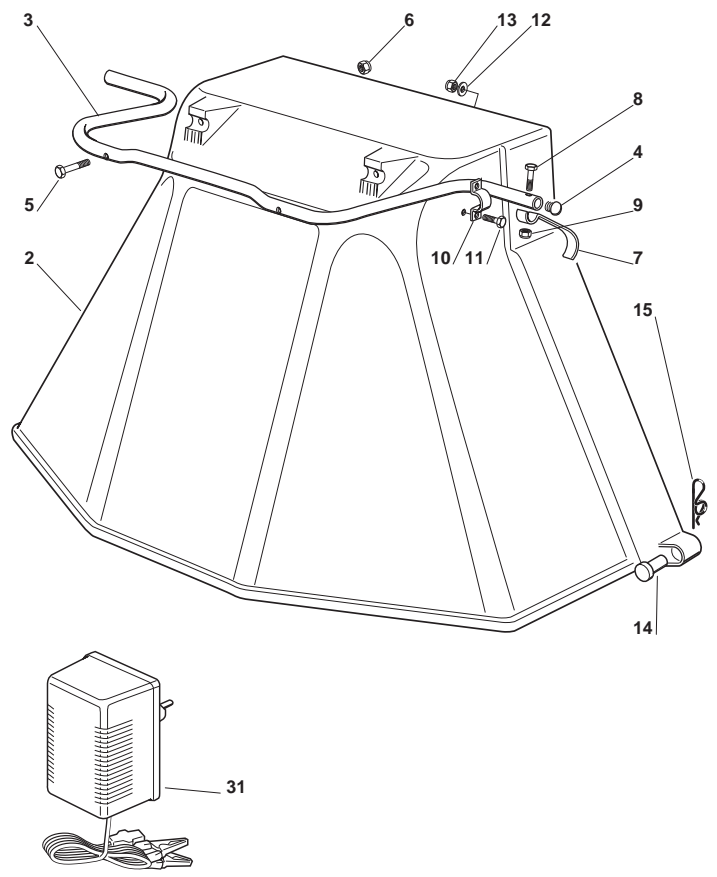
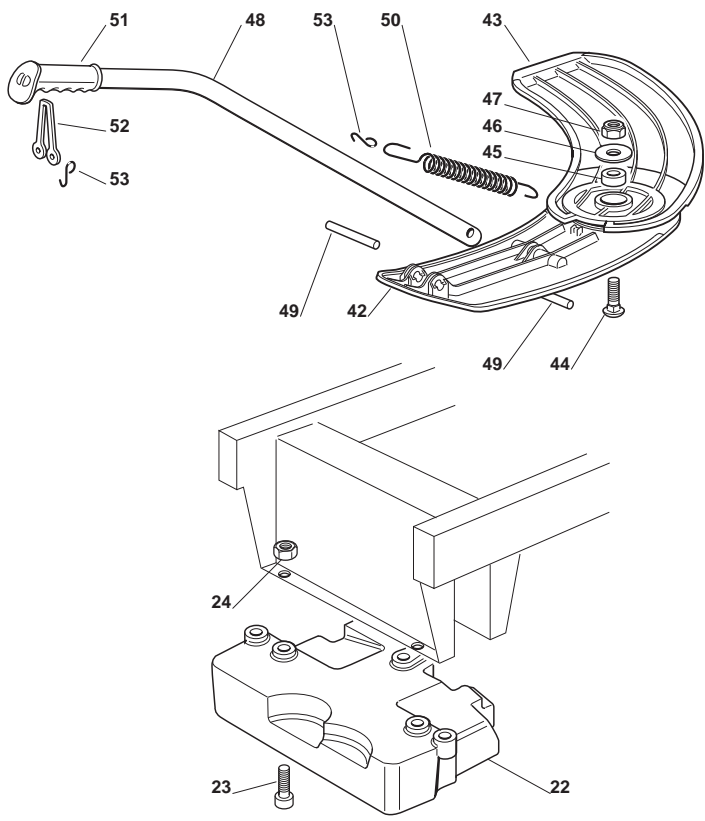
Cutting Plate							
POS	CODE	Q.TY	DESCRIPTION	DESCRIZIONE	DESCRIPTION	BESCHREIBUNG	NOTES
1	384564111/0	1	Cutting Plate Black	Piatto Di Taglio Nero	Plateau De Coupe Noir	Schneidwerkzeug Schwarz	
1	384564112/0	1	Cutting Plate Red	Piatto Di Taglio Rosso	Plateau De Coupe Rouge	Schneidwerkzeug Rot	
1	384564113/0	1	Cutting Plate Yellow	Piatto Di Taglio Giallo	Plateau De Coupe Jaune	Schneidwerkzeug Gelb	
2	125033060/0	1	Washing Cutting Deck Cor	Attacco Lavaggio Piatto	Attaque Lavage Plateau De Coupe	Wasseranschluß Mähwerk	
3	119035000/0	1	Or Ring	Anello Or	Bague Or	Ring Or	
4	112500030/0	1	Rivet	Rivetto	Rivet	Niet	
5	327045000/1	1	Conveyor Inlet	Bocca Convogliatore	Bouche Convoyeur	Blechsatzeingang	
6	112815210/0	6	Screw	Vite	Vis	Schraube	
7	112523040/0	6	Washer	Rondella	Rondelle	Scheibe	
8	112154510/0	6	Nut	Dado	Écrou	Mutter	
9	384207250/0	1	Flange Assy	Ass. Flangia	Ens. Bride	Nabe, Komplet	
10	127023000/0	1	Shaft	Albero	Arbre	Welle	
12	119216047/0	2	Bearing	Cuscinetto	Roulement	Kugellager	
13	325160501/0	1	Dust Cover Disc	Disco Parapolvere	Protege-Poussiere	Staubschuttscheibe	
14	112609260/0	1	Seeger	Seeger	Seeger	Seeger	
15	112818700/0	4	Screw	Vite	Vis	Schraube	
16	327787067/0	1	Support	Supporto	Support	Halter	
17	112154210/0	4	Nut	Dado	Ecrou	Mutter	
18	125463200/0	1	Blade Hub	Mozzo Coltello	Moyeu Lame	Messerhalter	
19	112139100/0	1	Key	Chiave	Clavette	Schlüssel	
20	184109503/0	1	Blade Winged	Coltello Alettato	Lame Ailette	Messer Flügel	
21	122160400/0	1	Elastic Washer	Disco Elastico	Disque Elastique	Federscheibe	
22	112523080/0	1	Washer	Rosetta	Rondelle	Scheibe	
23	112735694/0	1	Screw	Vite	Vis	Schraube	
24	127604009/0	1	Pulley	Puleggia	Poulie	Riemenscheibe	
25	112139480/0	1	Feather	Linguetta	Clavette	Keil	
26	112793102/0	1	Screw	Vite	Vis	Schraube	
27	125670007/0	1	Washer	Rosetta	Rondelle	Scheibe	
28	112583500/0	1	Grower	Grower	Grower	Grower	
29	127488000/0	1	Air Intake Grill	Griglia Aspirazione	Grille D'Aspiration	Ansauggitter	
30	112815200/0	4	Screw	Vite	Vis	Schraube	
31	112521340/0	4	Washer	Rondella	Rondelle	Scheibe	
32	112154510/0	4	Nut	Dado	Écrou	Mutter	
33	112794970/0	1	Screw	Vite	Vis	Schraube	
34	112523080/0	2	Washer	Rosetta	Rondelle	Scheibe	
35	112154250/0	1	Nut	Dado	Ecrou	Mutter	
36	125510007/2	1	Pin	Perno	Pivot	Bolzen	
37	112295200/0	1	Nut	Dado	Ecrou	Mutter	
38	112156602/0	1	Nut	Dado	Écrou	Mutter	
39	112585100/0	1	Washer	Rosetta	Rondelle	Scheibe	
41	184109502/0	1	Winged Blade	Coltello Alettato	Lame Ailette	Messer Flügel	
45	112154510/0	4	Nut	Dado	Écrou	Mutter	
46	327543009/0	2	Deck Profile,Black	Profilo Piatto,Nero	Profil Plateau,Noir	Schneid Profil,Schwarz	
46	327543011/0	2	Deck Profile,Red	Profilo Piatto,Rosso	Profil Plateau,Rouge	Schneid Profil,Rot	
46	327543013/0	2	Deck Profile,Yellow	Profilo Piatto,Giallo	Profil Plateau,Jaune	Schneid Profil,Gelb	
47	112815210/0	4	Screw	Vite	Vis	Schraube	
51	127107501/0	1	Conveyor	Convogliatore	Convoyeur	Konveyor	
52	327140051/1	1	Deflector	Deflettore	Deflecteur	Abweiser	
53	112735403/0	8	Screw	Vite	Vis	Schraube	
54	127510097/1	1	Pin	Perno	Pivot	Bolzen	
55	124487997/0	2	Cotter Pin	Copiglia	Goupille	Split	



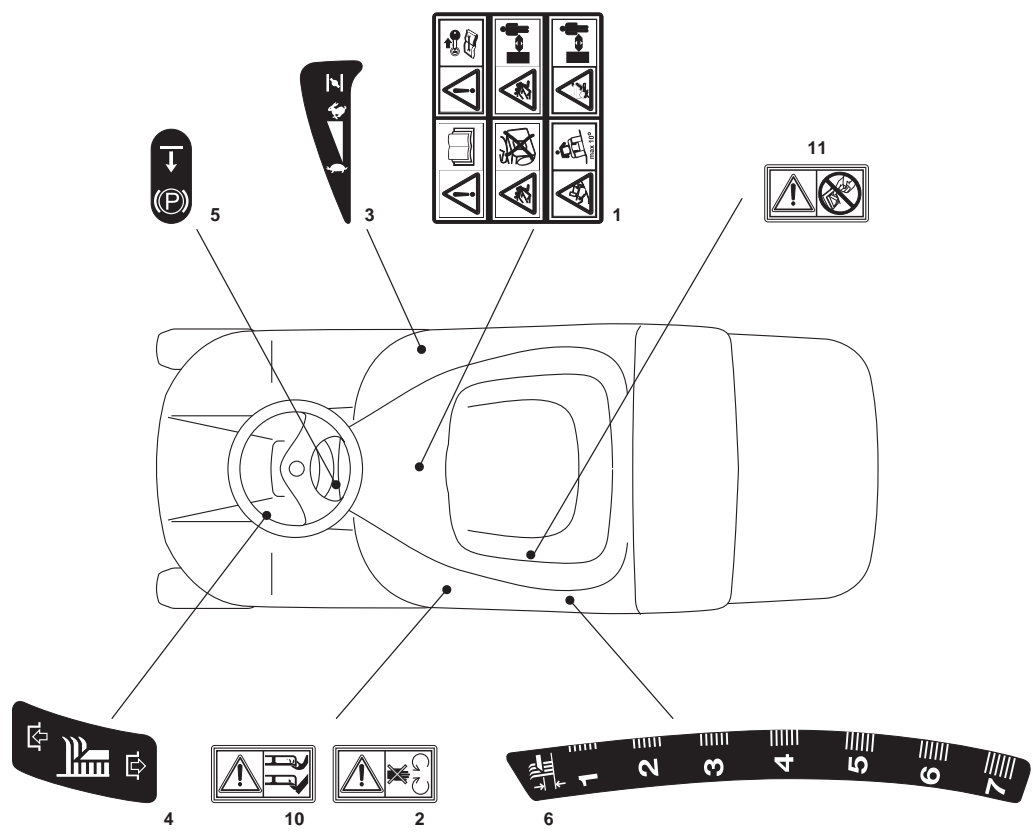
Grasscatcher							
POS	CODE	Q.TY	DESCRIPTION	DESCRIZIONE	DESCRIPTION	BESCHREIBUNG	NOTES
1	384801103/0	1	Lower Frame	Telaio Inferiore	Chassis Inferieur	Untererrahmen	
2	384801105/1	1	Black Upper Grass.Frame	Telaio Superiore Sacco Nero	Chassis Superieur Bac Noir	Obererrahmen Sack	
3	184106069/0	1	Grasscatcher	Confezione Sacco	Bac	Sack	
4	327010205/0	1	Right Angular Support	Supporto Angolare Destro	Support Angulaire Droit	Rechter Halter	
5	327010207/0	1	Left Angular Support	Supporto Angolare Sinistro	Support Angulaire Gauche	Linker Halter	
6	384869051/0	1	Rod	Tubo	Tige	Stange	
7	384650100/0	1	Stiffening	Rinforzo	Renforcement	Verstaerkung	
8	112729601/1	4	Screw	Vite	Vis	Schraube	
9	112792099/0	4	Screw	Vite	Vis	Schraube	
10	112582101/0	4	Grower	Grower	Grower	Grower	
11	112292100/0	4	Nut	Dado	Écrou	Mutter	
12	112674701/0	2	Screw	Vite	Vis	Schraube	
13	112521331/0	2	Washer	Rosetta	Rondelle	Scheibe	
14	112154510/0	2	Nut	Dado	Écrou	Mutter	
18	384180180/0	1	Screws Outfit	Dotazione Viteria	Dotation Visserie	Satz, Schrauben	
31	125600041/0	1	Protection	Protezione	Protection	Schutz	
32	125600042/0	1	Protection	Protezione	Protection	Schutz	
33	125318124/0	1	Full Grassc. Microswtich Lever	Leva Comando Micro	Levier Microint.	Kontaktgeber Vollkorb	
34	112400030/0	1	Pin	Perno	Pivot	Bolzen	
35	112728510/0	1	Screw	Vite	Vis	Schraube	
36	125600047/0	1	Protection	Protezione	Protection	Schutz	
37	125600048/0	1	Protection	Protezione	Protection	Schutz	
38	112728450/0	2	Screw	Vite	Vis	Schraube	



Optionals on Request							
POS	CODE	Q.TY	DESCRIPTION	DESCRIZIONE	DESCRIPTION	BESCHREIBUNG	NOTES
1	184040119/0	1	Cables Ass.Y	Cablaggio	Ens. Cablages	Kabelsatz	for Honda Engine
1	184040126/2	1	Cables Ass.Y	Cablaggio	Ens. Cablages	Kabelsatz	for B&S - GGP Engine
2	125722415/1	1	Electronic Card	Scheda Elettronica	Carte Electronique	Elektronische Karte	
3	112727810/0	2	Screw	Vite	Vis	Schraube	
4	133340036/0	1	Fuse 25 A	Fusibile 25 A	Fusible 25 A	Sicherung 25 A	
4	133340040/0	1	Lamellar Fusible 10A	Fusibile 10 A	Fusible 10 A	Sicherung 10 A	
4	133340035/0	1	Lamellar Fusible 15A	Fusibile 15 A	Fusible 15 A	Sicherung 15 A	
5	118450065/1	1	Starting Switch	Interruttore Avviamento	Interrupteur Demarrage	Schalter	
6	118400861/0	1	Screwed Ring	Ghiera	Embout	NutMutter	
7	118565351/0	1	Screwed Ring Protection	Protezione Ghiera	Vis	Schutzkappe ZÜndschloß	
8	118210016/1	1	Starting Key	Chiave Avviamento	Clef A Demarrage	Schlüssel Für Start	
13	119410615/0	4	Micro Switch	Micro Interruttore	Microinterrupteur	Mikroschalter	
14	119410605/1	1	Micro Switch	Micro Interruttore	Microinterrupteur	Mikroschalter	
17	125065014/1	1	Card Allarm Signal Cable	Card Allarm Signal Cable	Card Allarm Signal Cable	Card Allarm Signal Cable	
19	118120002/1	1	Battery	Batteria	Batterie	Batterie	
20	327772099/1	1	Clamp	Staffa	Etrier	Bride	
21	112155000/0	1	Nut	Dado	Écrou	Mutter	
22	118564861/1	2	Protection	Cappuccio	Capuchon	Stecker	
23	112361005/0	1	Nut	Dado	Ecrou	Mutter	
24	133320506/0	3	Fairlead	Fermacavo	Serre-Cable	Kabelbefestigung	
25	133320504/0	1	Fairlead	Fermacavo	Serre-Cable	Kabelbefestigung	
26	127430561/0	1	Spring	Molla	Ressort	Feder	
27	112735121/0	1	Screw	Vite	Vis	Schraube	
30	133215000/0	2	Cover	Coperchio	Couvercle	Deckel	
31	133500007/0	2	Fuse Carrier	Portafusibile	Tableau De Fusible	Sicherunghalter	
32	133567000/0	1	Relay	Rele'	Relais	Relais	



Optionals on Request							
POS	CODE	Q.TY	DESCRIPTION	DESCRIZIONE	DESCRIPTION	BESCHREIBUNG	NOTES
2	484598062/0	1	Ejection Guard	Protezione Uscita	Protection Sortie	Auswurfschutz	
3	327869053/0	1	Support	Supporto	Support	Halter	
4	118566113/0	2	Cap	Puntale	Bouchon	Pfropfen	
5	112674701/0	2	Screw	Vite	Vis	Schraube	
6	112154510/0	2	Nut	Dado	Écrou	Mutter	
7	325547053/0	1	Plate	Piastrina	Plaquette	Plättchen	
8	112791500/0	1	Screw	Vite	Vis	Schraube	
9	112154510/0	1	Nut	Dado	Écrou	Mutter	
10	325547049/0	2	Plate	Piastrina	Plaquette	Plättchen	
11	112788910/0	4	Screw	Vite	Vis	Schraube	
12	112523020/0	4	Washer	Rondella	Rondelle	Scheibe	
13	112154320/0	4	Nut	Dado	Ecrou	Mutter	
14	125510022/0	2	Pin	Perno	Pivot	Bolzen	
15	124487998/0	2	Cotter Pin	Copiglia	Goupille	Split	
22	125519997/1	1	Front Weight	Peso Anteriore	Front Weight	Front Weight	
23	112760520/0	3	Screw	Vite	Vis	Schraube	
24	112155000/0	3	Nut	Dado	Écrou	Mutter	
31	182180090/0	1	Battery Charger	Carica Batterie	Chargeur De Batteries	Batterieladegerät	CE plug
31	182180091/0	1	Battery Charger	Carica Batterie	Chargeur De Batteries	Batterieladegerät	UK plug
42	327140055/0	1	Deflector, Rear	Deflettore Posteriore	Deflecteur, Arriere	Abweiser, Hinter	
43	327140054/0	1	Deflector, Front	Deflettore Anteriore	Deflecteur, Avant	Abweiser, Vorder	
44	112818700/0	1	Screw	Vite	Vis	Schraube	
45	127047013/1	1	Bush	Bussola	Douille	Büchse	
46	322672152/0	1	Antifriction Washer	Rondella Antifrizione	Rondelle Antifriction	Anti Friktionswäscher	
47	112155000/0	1	Nut	Dado	Écrou	Mutter	
48	327394003/2	1	Handle	Manico	Guidon	Stiel	
49	127510116/0	2	Pin	Perno	Pivot	Bolzen	
50	125430229/1	1	Blade Brake Spring	Molla Freno Lama	Ressort Frein	Zugfeder	
51	325280000/1	1	Handgrip	Impugnatura	Branche	Handgriff	
52	125840011/1	1	Tie Rod	Tirante	Tirant Elastique	Spannstange	
53	125253004/0	3	Mulch.Kit Fixing Hook	Gancio Fissaggio Kit Mulching	Crochet	MulchingHaken	



Labels							
POS	CODE	Q.TY	DESCRIPTION	DESCRIZIONE	DESCRIPTION	BESCHREIBUNG	NOTES
1	114357428/1	1	Label	Etichetta	Etiquette	Etikett	
2	114357519/2	1	Label	Etichetta	Etiquette	Etikett	
3	114357425/1	1	Label	Etichetta	Etiquette	Etikett	
4	114357431/0	1	Label	Etichetta	Etiquette	Etikett	
5	114357526/1	1	Label	Etichetta	Etiquette	Etikett	
6	114357427/0	1	Label	Etichetta	Etiquette	Etikett	
10	114356699/1	2	Label	Etichetta	Etiquette	Etikett	
11	114360118/0	1	Safety Label	Etichetta Di Sicurezza	Etiquette De Sécurité	Etikett	